

---

## High-Performance Dual-Channel DC-DC Converter

---

### General Description

DA9220 is a power management unit (PMU) suitable for supplying CPUs, GPUs, DDR memory rails in single in-line pin package (SIPP) modules, smartphones, tablets, and other handheld applications.

DA9220 integrates two single-phase buck converters, each phase requiring a small external 0.10  $\mu$ H inductor. Each buck is capable of delivering up to 3 A output current at a 0.3 V to 1.9 V output voltage range. The 2.5 V to 5.5 V input voltage range is suitable for a wide variety of low-voltage systems, including, but not limited to, all Li-Ion battery supplied applications.

With remote sensing, the DA9220 guarantees the highest accuracy and supports multiple PCB routing scenarios without loss of performance.

The pass devices are fully integrated, so no external FETs or Schottky diodes are needed.

A programmable soft start-up can be enabled, which limits the inrush current from the input node and secures a slope-controlled rail activation.

The dynamic voltage control (DVC) supports adaptive adjustment of the supply voltage dependent on the processor load, via either a direct register write using the communication interface (I<sup>2</sup>C-compatible) or with a programmable input pin.

A configurable GPI allows multiple I<sup>2</sup>C address selection for multiple instances of DA9220 in the same application.

DA9220 has integrated over-temperature and over-current protection for increased system reliability, without the need for external sensing components.

### Key Features

- 2.5 V to 5.5 V input voltage
- 0.3 V to 1.9 V output voltage
- 4 MHz nominal switching frequency
- $\pm 1$  % accuracy (static)
- $\pm 5$  % accuracy (dynamic)
- I<sup>2</sup>C-compatible interface (FM+)
- Programmable GPIOs
- Programmable soft-start
- Voltage, current, and temperature supervision
- -40 °C to +85 °C ambient temperature range
- Package: 24WLCSP 2.5 mm x 1.7 mm (0.4 mm pitch)

### Applications

- SIPP modules (SoC, DRAM)
- Smartphones
- Tablet PCs
- Infotainment
- Ultrabooks™
- Wi-Fi Modules
- Game Consoles

High-Performance Dual-Channel DC-DC Converter

System Diagrams

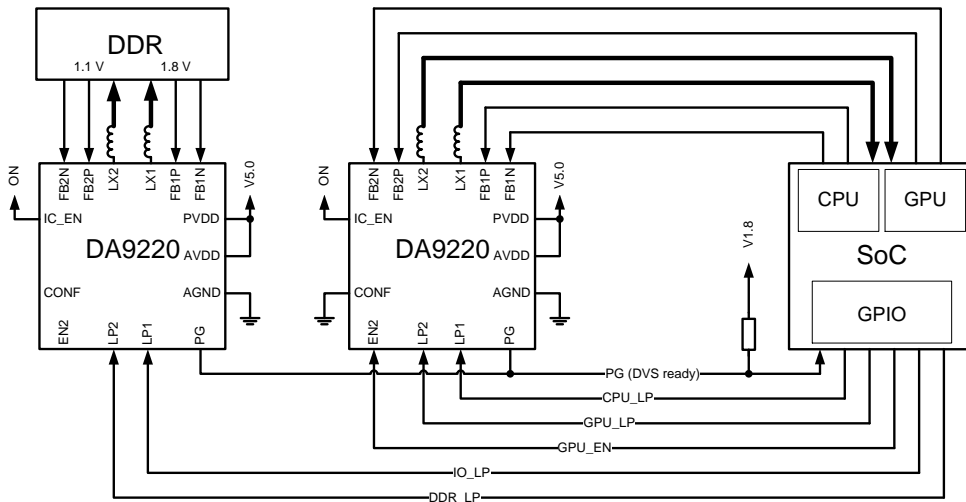


Figure 1: Typical Application Diagram (Port Control)

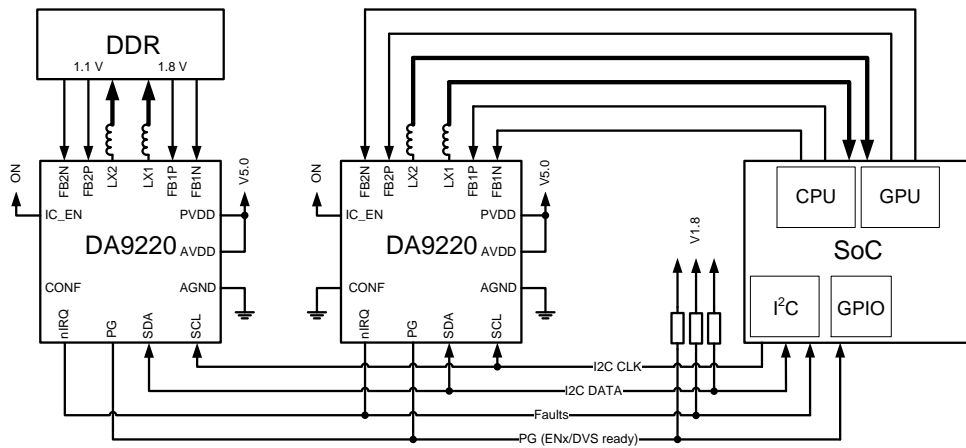


Figure 2: Typical Application Diagram (I2C Control)

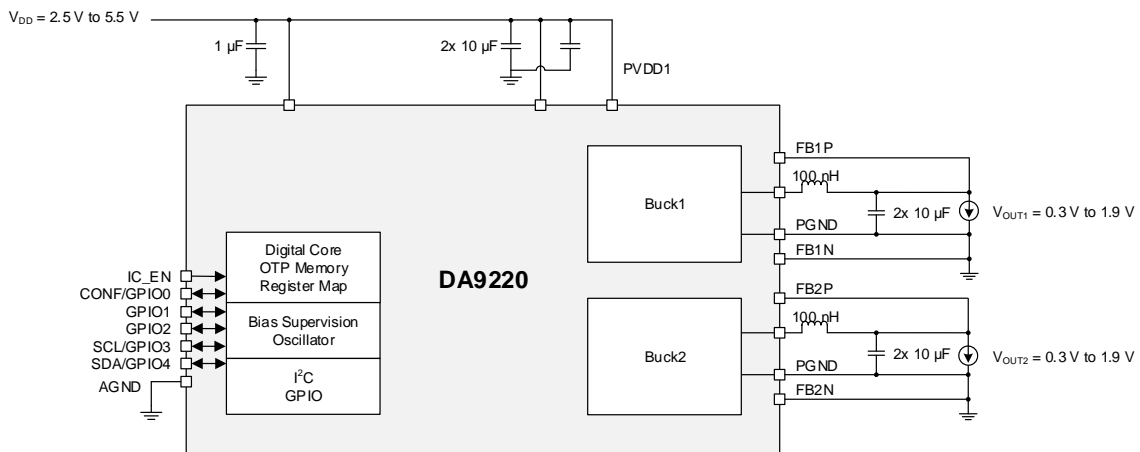


Figure 3: Simplified Schematic Diagram

## High-Performance Dual-Channel DC-DC Converter

### Contents

<b>General Description</b> .....	<b>1</b>
<b>Key Features</b> .....	<b>1</b>
<b>Applications</b> .....	<b>1</b>
<b>System Diagrams</b> .....	<b>2</b>
<b>Contents</b> .....	<b>3</b>
<b>1 Terms and Definitions</b> .....	<b>5</b>
<b>2 Pinout</b> .....	<b>6</b>
<b>3 Characteristics</b> .....	<b>8</b>
3.1 Absolute Maximum Ratings .....	8
3.2 Recommended Operating Conditions .....	8
3.3 Thermal Characteristics .....	9
3.3.1 Thermal Ratings .....	9
3.3.2 Power Dissipation .....	9
3.4 ESD Characteristics .....	9
3.5 Buck Characteristics .....	10
3.6 Performance and Supervision Characteristics .....	11
3.7 Digital I/O Characteristics .....	12
3.8 Timing Characteristics .....	13
3.9 Typical Performance .....	14
<b>4 Functional Description</b> .....	<b>18</b>
4.1 DC-DC Buck Converter .....	18
4.1.1 Switching Frequency .....	18
4.1.2 Operation Modes and Phase Selection .....	18
4.1.3 Output Voltage Selection .....	19
4.1.4 Soft Start-Up and Shutdown .....	19
4.1.5 Current Limit .....	19
4.1.6 Thermal Protection .....	20
4.2 Internal Circuits .....	21
4.2.1 IC_EN/Chip Enable/Disable .....	21
4.2.2 nIRQ/Interrupt .....	21
4.2.3 GPIO .....	26
4.2.3.1 GPIO Pin Assignment .....	26
4.2.3.2 GPIO Function .....	26
4.2.3.3 Chip Configuration Select (CONF) .....	28
4.3 Operating Modes .....	29
4.3.1 ON .....	29
4.3.2 OFF .....	29
4.4 I <sup>2</sup> C Communication .....	29
4.4.1 I <sup>2</sup> C Protocol .....	30
<b>5 Register Definitions</b> .....	<b>32</b>
5.1 Register Map .....	32
5.1.1 System .....	34
5.1.2 Buck1 .....	46

---

**High-Performance Dual-Channel DC-DC Converter**

---

5.1.3	Buck2.....	51
5.1.4	Serialization .....	56
<b>6</b>	<b>Package Information .....</b>	<b>57</b>
6.1	Package Outlines .....	57
6.2	Moisture Sensitivity Level.....	59
6.3	WLCSP Handling .....	59
6.4	Soldering Information .....	59
<b>7</b>	<b>Ordering Information .....</b>	<b>60</b>
<b>8</b>	<b>Application Information .....</b>	<b>60</b>
8.1	Capacitor Selection .....	60
8.2	Inductor Selection .....	61
	<b>Revision History .....</b>	<b>62</b>

## 1 Terms and Definitions

ATE	Automated test equipment
CPU	Central processing unit
DDR	Dual data rate
DVC	Dynamic voltage control
FET	Field effect transistor
FM+	Fast mode plus
GBD	Guaranteed by design
GBQ	Guaranteed by qualification
GBSPC	Guaranteed by statistical process characterization
GPI	General purpose input
GPIO	General purpose input/output
GPU	Graphics processing unit
IC	Integrated circuit
HW	Hardware
Li-Ion	Lithium-ion
OTP	One time programmable
PCB	Printed circuit board
PRS	Product requirements specification
SCL	Serial clock
SDA	Serial data
SIPP	Single in-line pin package
SW	Software

## High-Performance Dual-Channel DC-DC Converter

### 2 Pinout

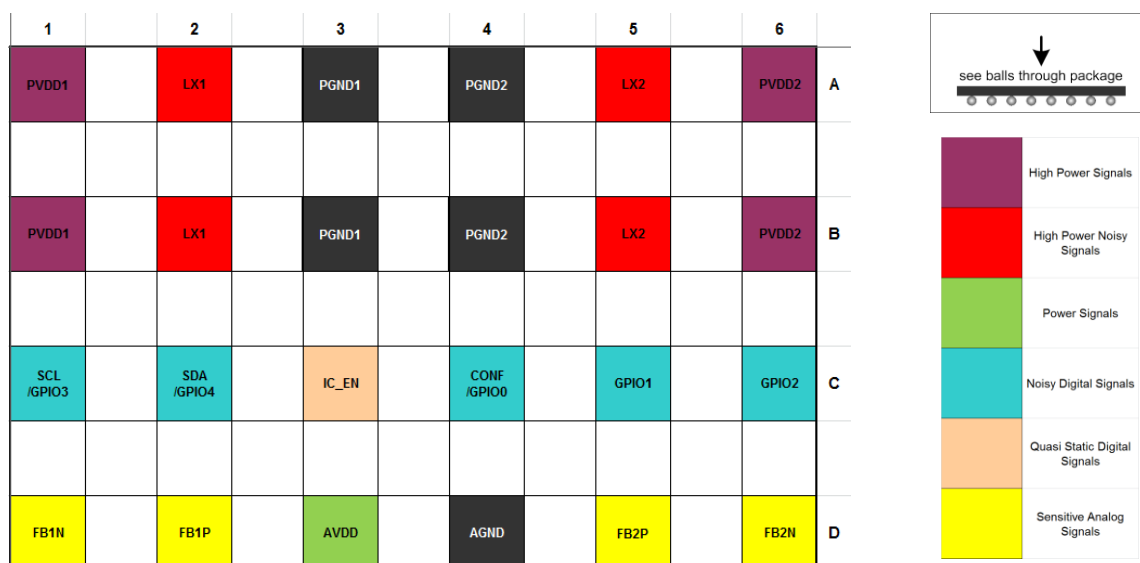


Figure 4: DA9220 Pinout Diagram (Top View)

Table 1: Pin Description

Pin No.	Pin Name	Type (Table 2)	Drive (mA)	Reset State	Description
A1, B1	PVDD1	PWR	5000		Supply voltage for Buck1 power stage, decouple with 10 $\mu$ F and connect to same source as AVDD
A2, B2	LX1	AIO	5000		Switch node of Buck1, connect a 100 nH inductor between LX1 and output capacitor
A3, B3	PGND1	GND	5000		Buck1 power stage VSS rail
A4, B4	PGND2	GND	5000		Buck2 power stage VSS rail
A5, B5	LX2	AIO	5000		Switch node of Buck2, connect a 100 nH inductor between LX2 and output capacitor
A6, B6	PVDD2	PWR	5000		Supply voltage for Buck2 power stage, decouple with 10 $\mu$ F and connect to same source as AVDD
C1	SCL/GPIO3	DIO	15		I <sup>2</sup> C clock or general purpose I/O
C2	SDA/GPIO4	DIO	15		I <sup>2</sup> C data or general purpose I/O
C3	IC_EN	AI	10		Powers up SW control interface and auxiliary circuitry (for example, bandgap, oscillator, and references).
C4	CONF/GPIO0	AI/DIO	10		Chip configuration or general purpose I/O
C5	GPIO1	DIO	10		General purpose I/O
C6	GPIO2	DIO	10		General purpose I/O
D1	FB1N	AI	10		Buck1 negative node of differential voltage feedback, connect to VSS at point of load
D2	FB1P	AI	10		Buck1 positive node of differential voltage feedback, connect to VOUT1 at point of load

## High-Performance Dual-Channel DC-DC Converter

Pin No.	Pin Name	Type (Table 2)	Drive (mA)	Reset State	Description
D3	AVDD	PWR	10		Supply rail for analog control circuitry, decouple with 1 $\mu$ F and connect to same source as PVDD
D4	AGND	GND	10		Analog control and auxiliary circuitry VSS
D5	FB2P	AI	10		Buck2 positive node of differential voltage feedback, connect to VOUT2 at point of load
D6	FB2N	AI	10		Buck2 negative node of differential voltage feedback, connect to VSS at point of load

**Table 2: Pin Type Definition**

Pin Type	Description	Pin Type	Description
DI	Digital input	AI	Analog input
DO	Digital output	AO	Analog output
DIO	Digital input/output	AIO	Analog input/output
PWR	Power	GND	Ground

## High-Performance Dual-Channel DC-DC Converter

### 3 Characteristics

#### 3.1 Absolute Maximum Ratings

Stresses beyond those listed under Absolute Maximum Ratings may cause permanent damage to the device. These are stress ratings only, so functional operation of the device at these or any other conditions beyond those indicated in the operational sections of the specification are not implied. Exposure to Absolute Maximum Rating conditions for extended periods may affect device reliability.

**Table 3: Absolute Maximum Ratings**

Parameter	Description	Conditions	Min	Max	Unit
T <sub>STG</sub>	Storage temperature		-65	150	°C
T <sub>J</sub>	Junction temperature		-40	150	°C
V <sub>SYS</sub>	System supply voltage		-0.3	6.0	V
V <sub>PIN</sub>	Voltage on pins		-0.3	6.0	V

#### 3.2 Recommended Operating Conditions

**Table 4: Recommended Operating Conditions**

Parameter	Description	Conditions (Note 1)	Min	Typ	Max	Unit
V <sub>SYS</sub>	System supply voltage		2.5		5.5	V
V <sub>PIN</sub>	Voltage on pins		-0.3		V <sub>SYS</sub> + 0.3	V
T <sub>J</sub>	Junction temperature		-40		125	°C
T <sub>A</sub>	Ambient temperature		-40		85	°C

**Note 1** Within the specified limits, a lifetime of 10 years is guaranteed. If operating outside of these recommended conditions, please consult with Dialog Semiconductor.



## High-Performance Dual-Channel DC-DC Converter

### 3.3 Thermal Characteristics

#### 3.3.1 Thermal Ratings

**Table 5: Package Ratings**

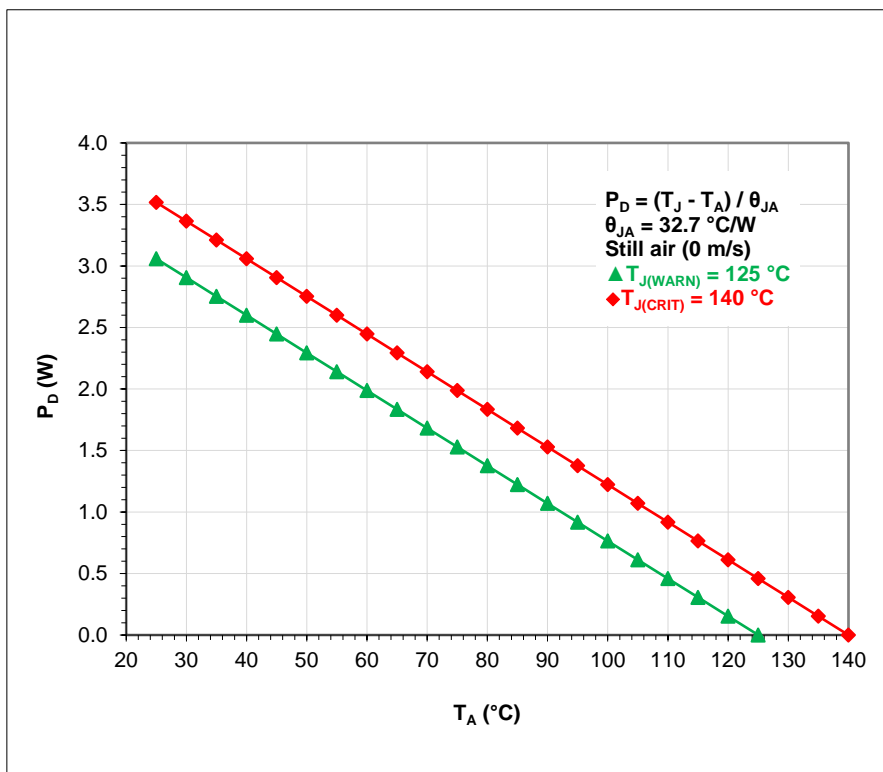
Parameter	Description	Conditions	Min	Typ	Max	Unit
$\theta_{JA}$	Package thermal resistance <a href="#">Note 1</a>			32.7		°C/W

**Note 1** Obtained from package thermal simulation, 2S2P4L board (JEDEC), influenced by PCB technology and layout.

#### 3.3.2 Power Dissipation

**Table 6: Power Dissipation**

Parameter	Description	Conditions	Min	Typ	Max	Unit
$P_D$	Power dissipation	Derating factor above $T_A = 70^\circ\text{C}$ : $30.6 \text{ mW}/^\circ\text{C}$ ( $1/\theta_{JA}$ )		2140		mW



**Figure 5: 24WLCSP Power Derating Curve**

### 3.4 ESD Characteristics

**Table 7: ESD Characteristics**

Parameter	Description	Conditions	Min	Typ	Max	Unit
$V_{ESD\_HBM}$	ESD protection, human body model (HBM)				2	kV

## High-Performance Dual-Channel DC-DC Converter

### 3.5 Buck Characteristics

Unless otherwise noted, the following is valid for  $T_J = -40\text{ }^\circ\text{C}$  to  $+125\text{ }^\circ\text{C}$ ,  $V_{SYS} = 2.5\text{ V}$  to  $5.5\text{ V}$

**Table 8: Buck Electrical Characteristics**

Parameter	Description	Conditions	Min	Typ	Max	Unit
<b>External Electrical Conditions</b>						
$V_{IN}$	Input voltage	$V_{IN} = V_{SYS}$	2.5		5.5	V
$C_{OUT}$	Output capacitance, per phase, including voltage and temperature coefficient		-40 %	2 x 10	+30 %	$\mu\text{F}$
$ESR_{COUT}$	Output capacitor series resistance, per phase	$f > 100\text{ kHz}$		2		$\text{m}\Omega$
L	Inductor value, per phase, including current and temperature dependence		-50 %	0.1	+20 %	$\mu\text{H}$
$DCR_L$	Inductor DC resistance			30	50	$\text{m}\Omega$
<b>Electrical Performance</b>						
$V_{OUT}$	Output voltage, programmable in 10 mV steps	$I_{OUT} = 0\text{ mA}$ to $I_{MAX}$ $V_{IN} = 2.5\text{ V}$ to $5.5\text{ V}$	0.3		1.57	V
$V_{OUT\_LIM}$	Output voltage, programmable in 10 mV steps	$I_{OUT} = 0\text{ mA}$ to $I_{MAX}$ $V_{IN} = 3.0\text{ V}$ to $5.5\text{ V}$	0.3		1.9	V
$I_{LIM}$	Current limit, programmable per phase <a href="#">Note 1</a>	$CHx\_ILIM = 1010$	-20 %	8	+20 %	A
$V_{OUT\_ACC}$	Output voltage accuracy, including static line and load regulation	$V_{OUT} \geq 1\text{ V}$	-1		1	%
$V_{OUT\_ACC}$	Output voltage accuracy, including static line and load regulation	$V_{OUT} < 1\text{ V}$	-10		10	mV
$V_{THR\_PG\_RISE}$	Power good voltage threshold for rising	Referred to $V_{OUT}$	-80	-50	-20	mV
$V_{THR\_PG\_DWN}$	Power good voltage threshold for falling	Referred to $V_{OUT}$	-160	-130	-100	mV
$V_{THR\_HV}$	High $V_{OUT}$ voltage threshold	Referred to $V_{OUT}$	100	150	200	mV
$V_{OUT\_TR\_LINE}$	Line transient response	$V_{IN} = 3\text{ V}$ to $3.6\text{ V}$ $I_{OUT} = 0.5 * I_{MAX}$ $dt = 10\text{ }\mu\text{s}$		15		mV
$f_{SW}$	Switching frequency, post-trim			4		MHz

## High-Performance Dual-Channel DC-DC Converter

Parameter	Description	Conditions	Min	Typ	Max	Unit
t <sub>ON_MIN</sub>	Minimum turn-on pulse 0 % duty is also supported			20		ns
t <sub>BUCK_EN</sub>	Turn-on time	CH <sub>x</sub> _EN = high			20	μs
R <sub>PD</sub>	Output pull-down resistance for each phase at the LX node, see CH <sub>x</sub> _PD_DIS	V <sub>IN</sub> = 3.7 V V <sub>OUT</sub> = 0.5 V	100	150	200	Ω
R <sub>ON_P MOS</sub>	On resistance of switching PMOS, per phase	V <sub>IN</sub> = 3.7 V		36		mΩ
R <sub>ON_N MOS</sub>	On resistance of switching NMOS, per phase	V <sub>IN</sub> = 3.7 V		17		mΩ
<b>AUTO Mode</b>						
V <sub>OUT_TR_LD_1PH</sub>	Load transient response	1-phase V <sub>OUT</sub> = 1 V I <sub>OUT</sub> = 0 A to 5 A di/dt = 10 A/μs		±5		%
<b>PFM Mode</b>						
I <sub>Q_PFM_1PH</sub>	Quiescent current in PFM	1-phase V <sub>IN</sub> = 3.7 V No load No switching		88		μA

**Note 1** t<sub>ON</sub> > 40 ns

### 3.6 Performance and Supervision Characteristics

**Table 9: Electrical Characteristics**

Parameter	Description	Conditions	Min	Typ	Max	Unit
<b>Electrical Performance</b>						
V <sub>THR_POR</sub>	Power-on-reset threshold	Threshold for AVDD falling		2.1	2.25	V
V <sub>THR_POR_HYS</sub>	Power-on-reset hysteresis			200		mV
T <sub>WARN</sub>	Thermal warning temperature threshold		115	125	135	°C
T <sub>CRIT</sub>	Thermal shutdown temperature threshold		130	140	150	°C
I <sub>IN_OFF</sub>	Supply current	OFF state T <sub>A</sub> = 27 °C IC_EN = 0		0.1	1	μA

## High-Performance Dual-Channel DC-DC Converter

Parameter	Description	Conditions	Min	Typ	Max	Unit
I <sub>IN_ON</sub>	Supply current	ON state T <sub>A</sub> = 27 °C IC_EN = 1 Buck off	5	10	20	μA

### 3.7 Digital I/O Characteristics

Table 10: Digital I/O Electrical Characteristics

Parameter	Description	Conditions	Min	Typ	Max	Unit
<b>Electrical Performance</b>						
V <sub>IH_EN</sub>	Input high voltage, IC enable		1.2		AVDD	V
V <sub>IL_EN</sub>	Input low voltage, IC enable				0.4	V
t <sub>IC_EN</sub>	IC enable time				1000	μs
V <sub>IH_GPIO_SCL_SDA</sub>	Input high voltage GPIO, SCL, SDA		1.2		AVDD	V
V <sub>IL_GPIO_SCL_SDA</sub>	Input low voltage GPIO, SCL, SDA				0.4	V
V <sub>OH_GPIO</sub>	Output high voltage GPIO	Push-pull mode I <sub>OUT</sub> = 1 mA	0.8*AVDD		AVDD	V
V <sub>OL_GPIO</sub>	Output low voltage GPIO	Push-pull mode I <sub>OUT</sub> = 1 mA			0.2*AVDD	V
V <sub>OL_SDA</sub>	Output low voltage SDA	I <sub>OUT</sub> = 3 mA		0.24		V
R <sub>PD</sub>	GPIO pull-down resistor		2	10	120	kΩ
R <sub>PU</sub>	GPIO pull-up resistor		2	10	120	kΩ

## High-Performance Dual-Channel DC-DC Converter

### 3.8 Timing Characteristics

**Table 11: I2C Electrical Characteristics**

Parameter	Description	Conditions	Min	Typ	Max	Unit
<b>Electrical Performance</b>						
$t_{BUS}$	Bus free time between a STOP and START condition		0.5			$\mu$ s
$C_{BUS}$	Bus line capacitive load				150	pF
$f_{SCL}$	SCL clock frequency		20 Note 1		1000	kHz
$t_{LO\_SCL}$	SCL low time		0.5			$\mu$ s
$t_{HI\_SCL}$	SCL high time		0.26			$\mu$ s
$t_{RISE}$	SCL and SDA rise time	Requirement for input			1000	ns
$t_{FALL}$	SCL and SDA fall time	Requirement for input			300	ns
$t_{SETUP\_START}$	Start condition setup time		0.26			$\mu$ s
$t_{HOLD\_START}$	Start condition hold time		0.26			$\mu$ s
$t_{SETUP\_STOP}$	Stop condition setup time		0.26			$\mu$ s
$t_{DATA}$	Data valid time				0.45	$\mu$ s
$t_{DATA\_ACK}$	Data valid acknowledge time				0.45	$\mu$ s
$t_{SETUP\_DATA}$	Data setup time		50			ns
$t_{HOLD\_DATA}$	Data hold time		0			ns

**Note 1** Minimum clock frequency is limited to 20 kHz if I2C\_TIMEOUT is enabled

High-Performance Dual-Channel DC-DC Converter

3.9 Typical Performance

Unless otherwise noted,  $V_{IN} = 3.7\text{ V}$ ,  $V_{OUT} = 1.0\text{ V}$ ,  $T_A = 25\text{ }^\circ\text{C}$ , 2.0 mm x 1.6 mm 0.1  $\mu\text{H}$  output inductor (DCR = typ. 11.5  $\text{m}\Omega$ ) and 2 x 10  $\mu\text{F}$  output capacitors per-channel.

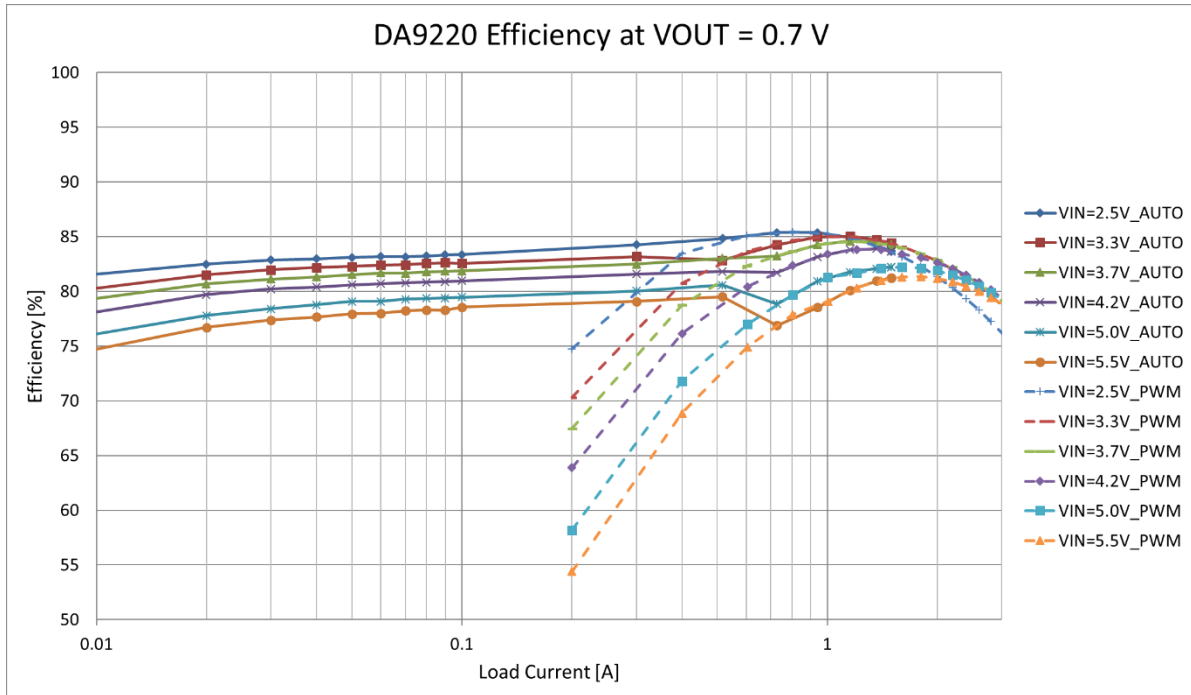


Figure 6: Efficiency vs Load,  $V_{OUT} = 0.7\text{ V}$

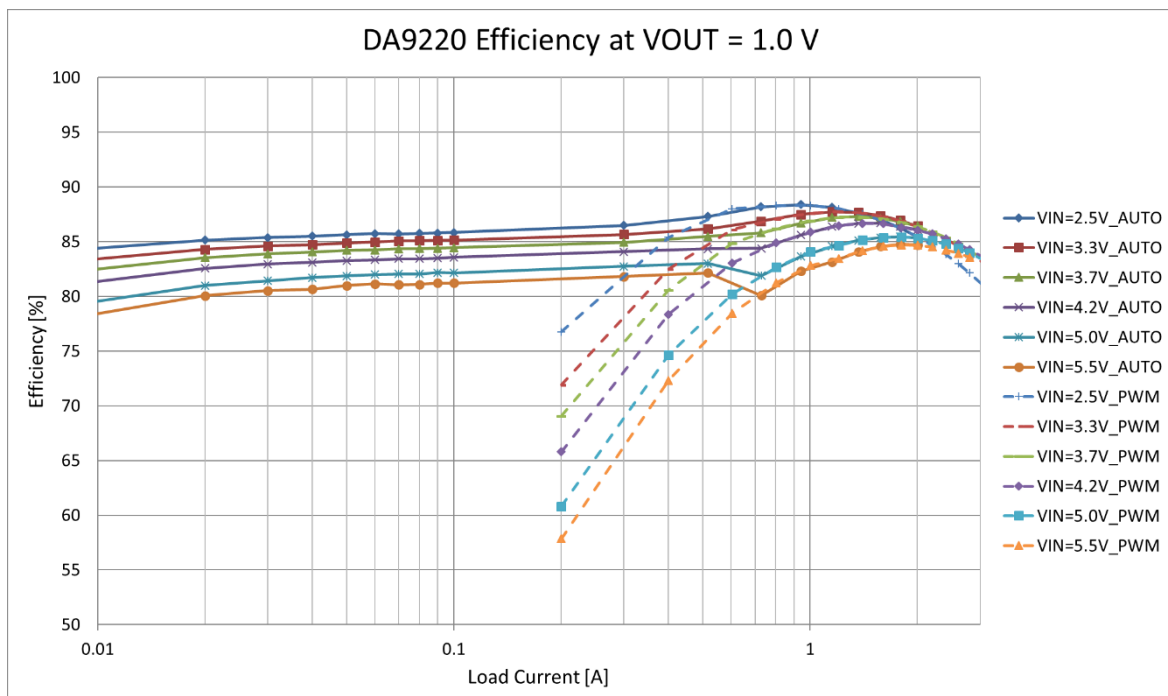


Figure 7: Efficiency vs Load,  $V_{OUT} = 1.0\text{ V}$

High-Performance Dual-Channel DC-DC Converter

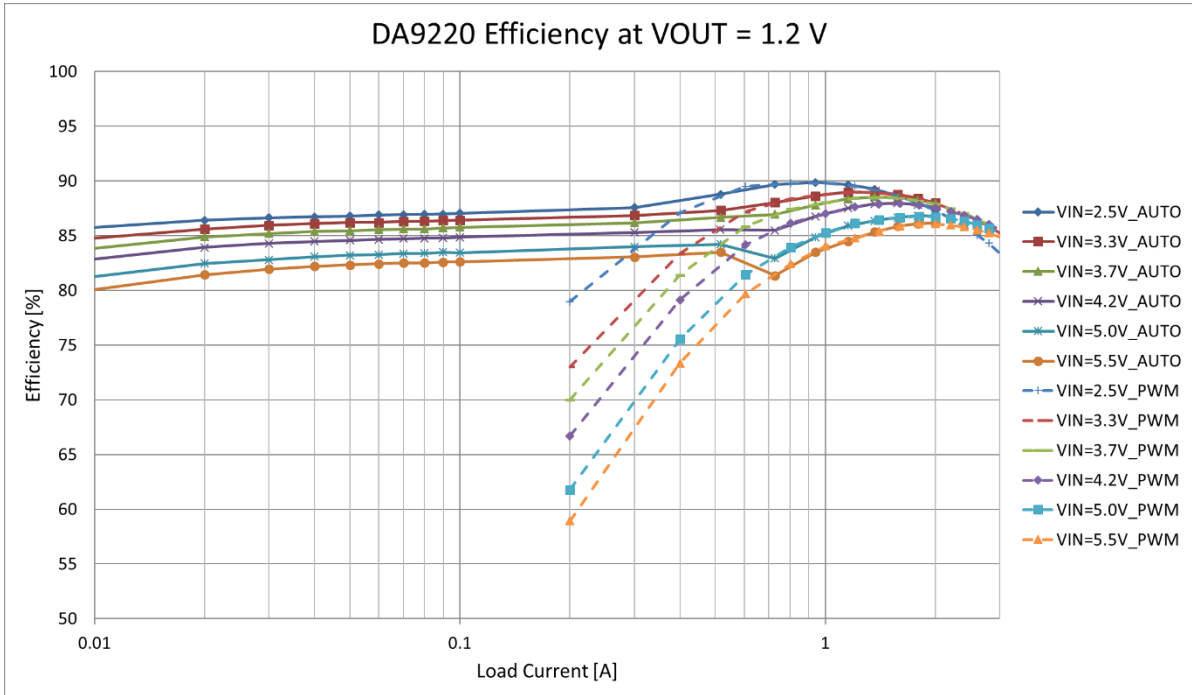


Figure 8: Efficiency vs Load, VOUT = 1.2 V

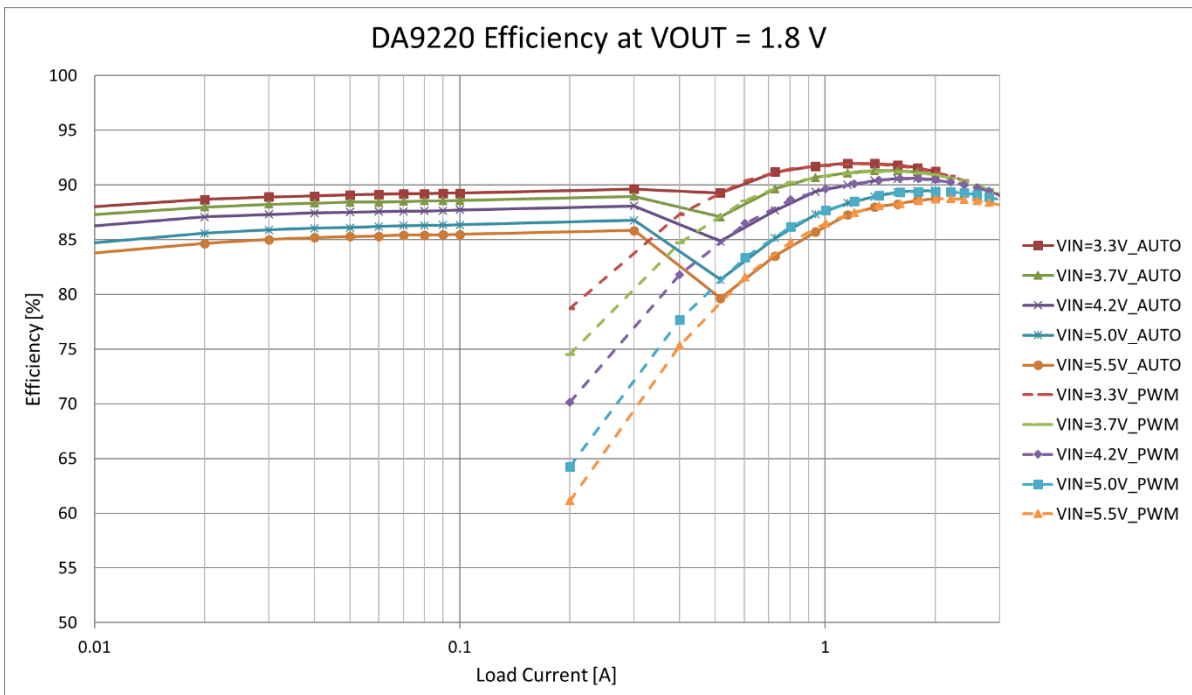


Figure 9: Efficiency vs Load, VOUT = 1.8 V

High-Performance Dual-Channel DC-DC Converter

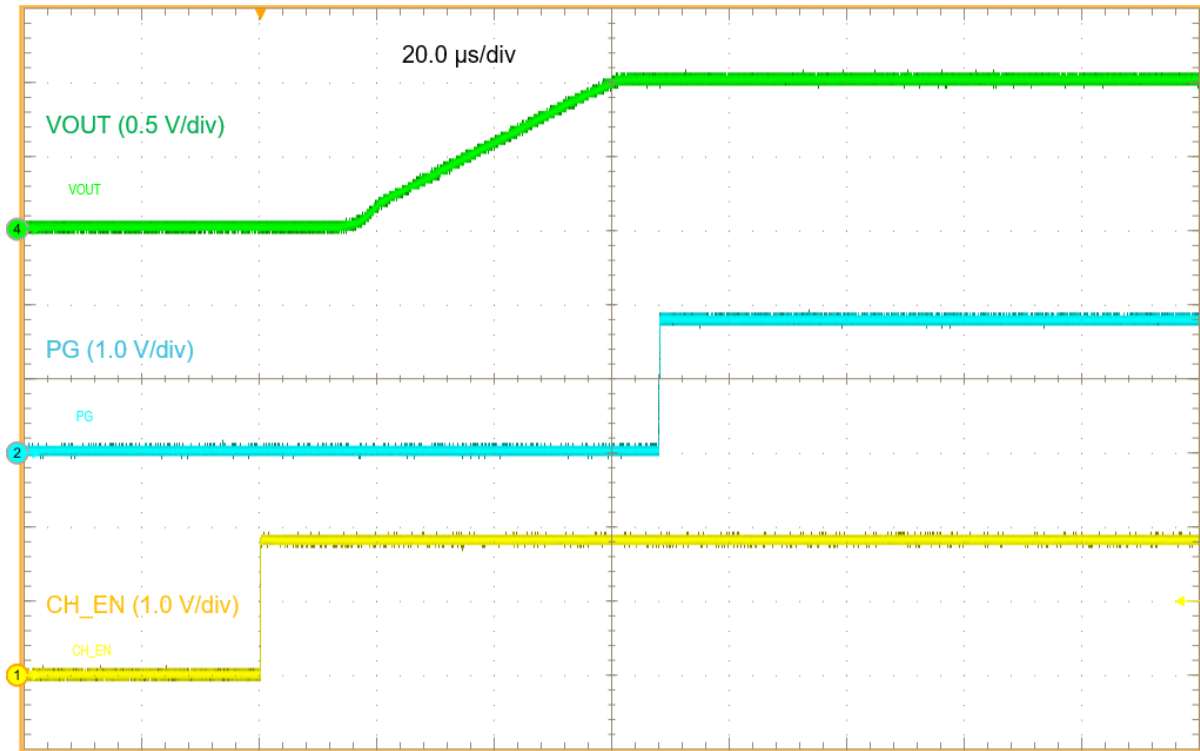


Figure 10: Buck Soft Start-up at 20 mV/μs Slew Rate

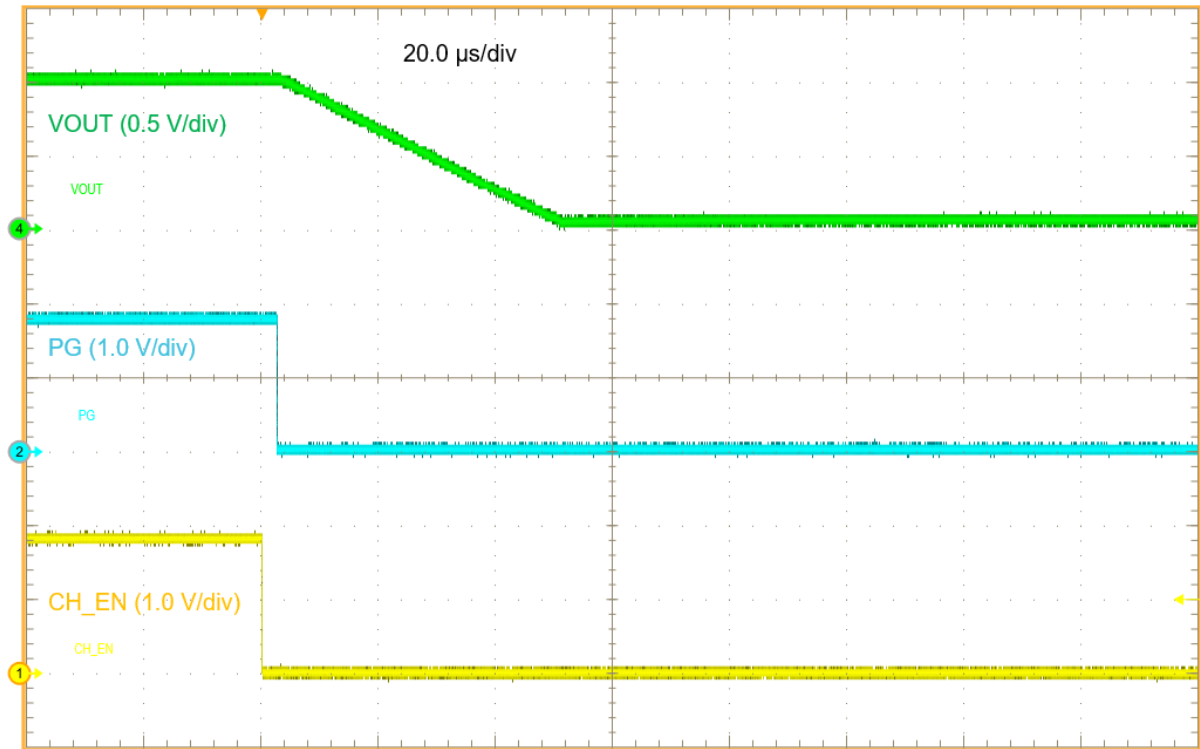


Figure 11: Buck Active Shutdown at 20 mV/μs Slew Rate



High-Performance Dual-Channel DC-DC Converter

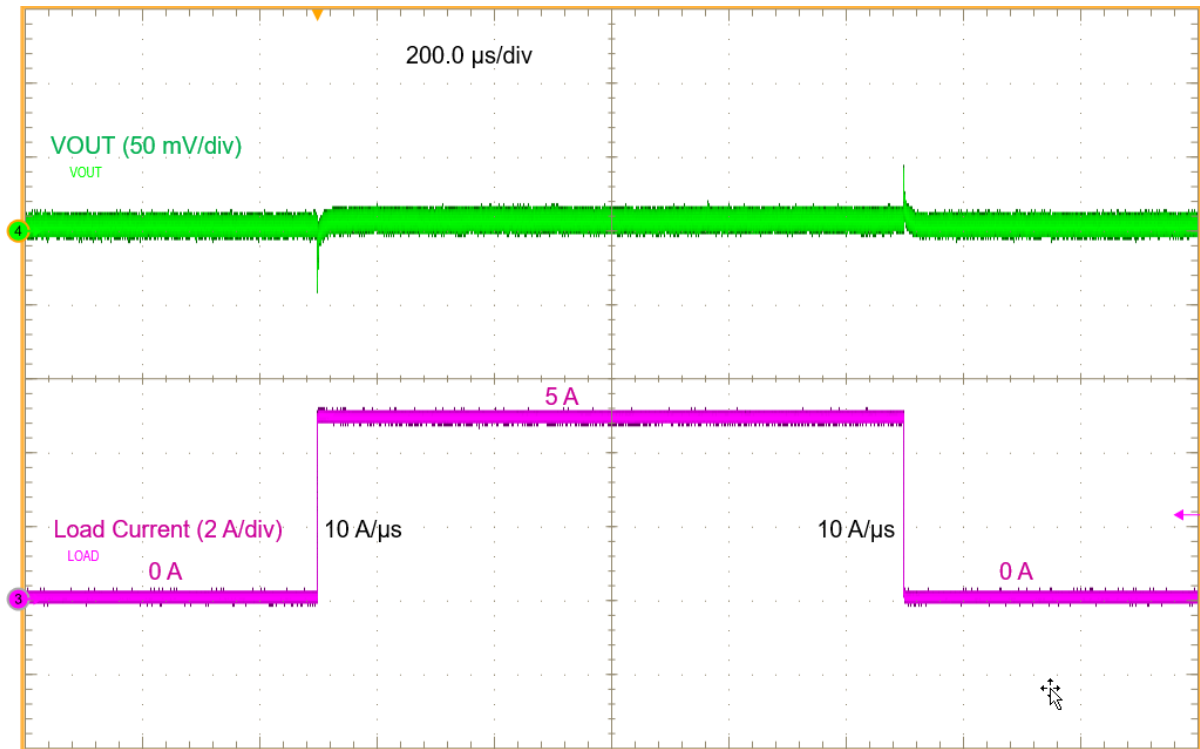


Figure 12: Buck Load Transient Response in PWM Mode, 0 A to 5 A at 10 A/μs

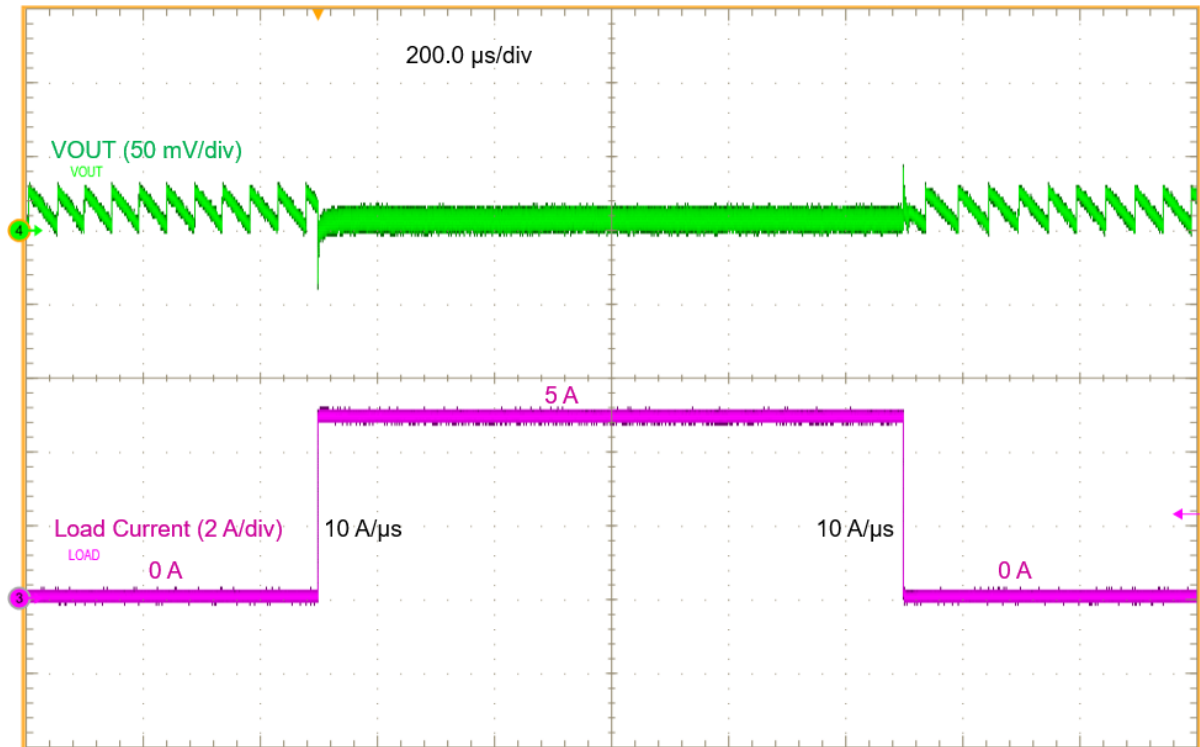


Figure 13: Buck Load Transient Response in AUTO Mode, 0 A to 5 A at 10 A/μs

---

## High-Performance Dual-Channel DC-DC Converter

---

### 4 Functional Description

#### 4.1 DC-DC Buck Converter

DA9220 contains two buck converters, Buck1 and Buck2, each capable of delivering up to 3 A output current at a 0.3 V to 1.9 V output voltage range.

Buck1 and Buck2 have two voltage registers each. One defines the normal output voltage, while the other offers an alternative retention voltage. In this way, different application power modes can easily be supported. The voltage selection can be operated either via GPI or via control interface to guarantee the maximum flexibility according to the specific host processor status in the application.

When a buck is enabled, its output voltage is monitored and a power good signal indicates that the buck output voltage has reached a level higher than the  $V_{THR\_PG\_RISE}$  threshold. The power good status is lost when the voltage drops below  $V_{THR\_PG\_DWN}$  or increases above  $V_{THR\_HV}$ . For each of the buck converters the status of the power good indicator can be read back via I<sup>2</sup>C from the PG1 and PG2 status bits. It can be also individually assigned to any of the GPIOs by setting the GPIO mode registers to either PG1 or PG2 output.

The buck converters are capable of supporting DVC transitions that occur:

- When the active and selected A- or B-voltage is updated to a new target value.
- When the voltage selection is changed from the A- to B-voltage (or B- to A-voltage) using CH<x>\_VSEL.

The DVC controller operates in pulse width modulation (PWM) mode with synchronous rectification.

The slew rate of the DVC transition is individually programmed for each buck converter at 10 mV per 8  $\mu$ s, 4  $\mu$ s, 2  $\mu$ s, 1  $\mu$ s, or 0.5  $\mu$ s in register bits CH1\_SR\_DVC and CH2\_SR\_DVC.

A pull-down resistor (typically 150  $\Omega$ ) for each phase is always activated unless it is disabled by setting register bits CH<x>\_PD\_DIS to 1.

##### 4.1.1 Switching Frequency

The buck switching frequency can be tuned using register bit OSC\_TUNE. The internal 8 MHz oscillator frequency is tuned in  $\pm 160$  kHz steps. This impacts the buck converter frequency in steps of 80 kHz and helps to mitigate possible disturbances to other high frequency systems in the application.

##### 4.1.2 Operation Modes and Phase Selection

The buck converters can operate in PWM and PFM modes. The operating mode is selected using register bits CH1\_<A or B>\_MODE and CH2\_<A or B>\_MODE.

If the automatic operation mode is selected on CH1\_<A or B>\_MODE or CH2\_<A or B>\_MODE, the buck converters automatically change between synchronous PWM mode and PFM depending on the load current. This improves the efficiency across the whole range of output load currents.

## High-Performance Dual-Channel DC-DC Converter

### 4.1.3 Output Voltage Selection

The switching converter can be configured using the I<sup>2</sup>C interface.

For each buck converter two output voltages can be pre-configured in registers CH<x>\_<A or B>\_VOOUT. The output voltage can be selected by either toggling register bit CH<x>\_VSEL or by re-programming the selected voltage control register. Both changes will result in ramped voltage transitions. After being enabled, the buck converter will, by default, use the register settings in CH<x>\_A\_VOOUT unless the output voltage selection is configured via the GPI port.

Registers CH<1 and 2>\_VMAX limit the output voltage that can be set for each of the respective buck converters.

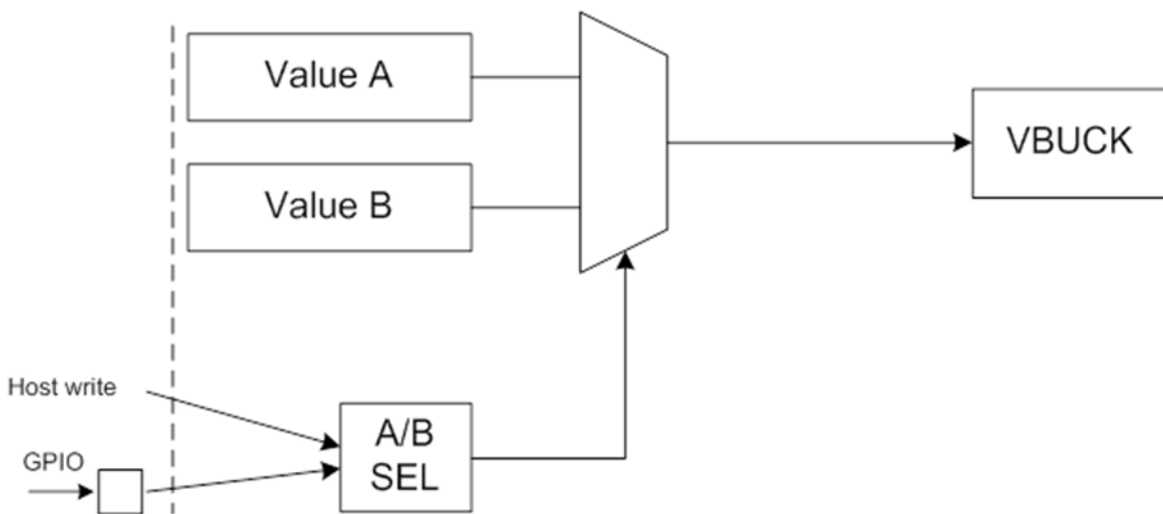


Figure 14: Buck Output Voltage Control Concept

### 4.1.4 Soft Start-Up and Shutdown

To limit in-rush current from V<sub>SYS</sub>, the buck converters can perform a soft-start after being enabled. The start-up behavior is a compromise between acceptable inrush current from the battery and turn-on time. Individual ramp times can be configured for each buck converter in registers CH<1 and 2>\_SR\_STARTUP respectively. Rates higher than 20 mV/μs may produce overshoot during the start-up phase, so they should be considered carefully.

A ramped power down can be selected in register bits CH<1 and 2>\_SR\_SHDN. When no ramp is selected (immediate power down), the output node will be discharged only by the pull-down resistor, if enabled in registers CH<1 and 2>\_PD\_DIS.

### 4.1.5 Current Limit

The integrated current limit protects the power stages and external coil from excessive current. The buck current limit should be configured to at least 40 % higher than the required maximum output current.

When the current limit is reached, each buck converter generates an event and an interrupt to the host processor unless the interrupt has been masked using register M\_OC<x> in SYS\_MASK\_1. Register bits OC\_DVC\_MASK is used to mask over-current events during DVC transitions.

## High-Performance Dual-Channel DC-DC Converter

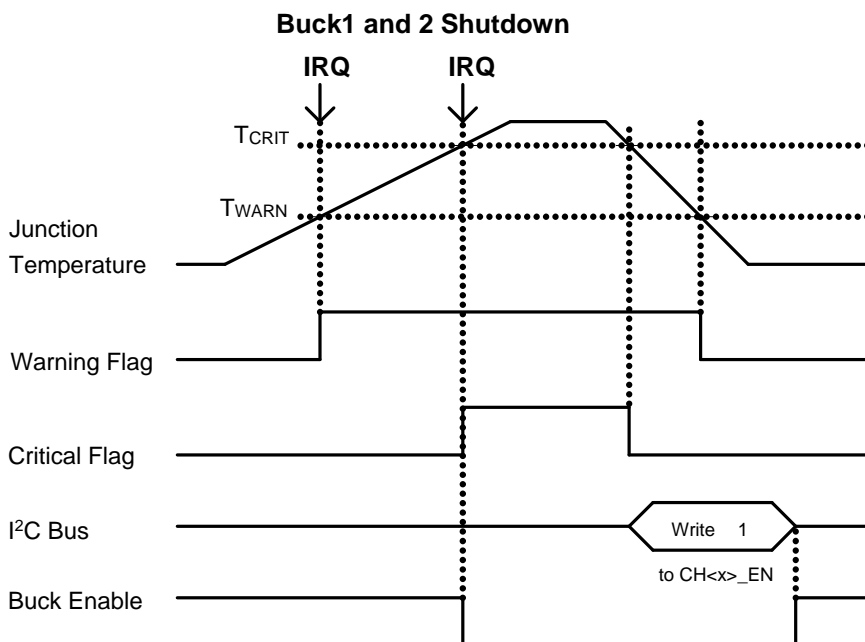
### 4.1.6 Thermal Protection

DA9220 is protected from internal overheating by thermal shutdown.

There are two kinds of flags concerning thermal protection, thermal warning and thermal critical. The warning flag is asserted when  $T_J > T_{WARN}$  and the critical flag is asserted when  $T_J > T_{CRIT}$ . When the critical flag is asserted, Buck1 and 2 are shut down immediately.

**Table 12: Thermal Protection Control Registers**

Category	Register name	Description
Status	TEMP_WARN	Asserted as long as the thermal warning threshold is reached
	TEMP_CRIT	Asserted as long as the thermal shutdown threshold is reached
IRQ event	E_TEMP_WARN	TEMP_WARN caused event
	E_TEMP_CRIT	TEMP_CRIT caused event
IRQ mask	M_TEMP_WARN	TEMP_WARN event IRQ mask
	M_TEMP_CRIT	TEMP_CRIT event IRQ mask
	M_VR_HOT	TEMP_WARN status IRQ mask



**Figure 15: Thermal Protection Operation**

## High-Performance Dual-Channel DC-DC Converter

### 4.2 Internal Circuits

#### 4.2.1 IC\_EN/Chip Enable/Disable

IC\_EN is chip enable/disable control input. When IC\_EN = 0, all blocks except for low I<sub>Q</sub> POR are powered-down and buck output is pulled-down.

#### 4.2.2 nIRQ/Interrupt

The interrupt triggers events. Trigger conditions and control registers for each interrupt event are listed in [Table 13](#).

Some of these events are categorized as fault events and affect device operation (for example, buck disable), see [Section 4.1.6](#).

**Table 13: Interrupt List**

Name	Polarity ( <a href="#">Note 1</a> )	Trigger	IRQ Status Register	IRQ Mask Register	Deglintch Period
Thermal warning (event)	N	T <sub>J</sub> rising above T <sub>WARN</sub>	E_TEMP_WARN	M_TEMP_WARN	0 s
Thermal critical (event)	N	T <sub>J</sub> rising above T <sub>CRIT</sub>	E_TEMP_CRIT	M_TEMP_CRIT	0 s
System good (event)	P		E_SG	M_SG	0 s
Buck1 power-good (event)	P	Buck1 V <sub>OUT</sub> is in power-good voltage range (not under- or over-voltage)	E_PG1	M_PG1	0 s
Buck2 power-good (event)	P	Buck2 V <sub>OUT</sub> is in power-good voltage range (not under- or over-voltage)	E_PG2	M_PG2	0 s
Buck1 over-voltage (event)	N	Buck1 V <sub>OUT</sub> rising above over-voltage threshold (target voltage + 150 mV)	E_OV1	M_OV1	Rise:8 μs Fall:8 μs
Buck2 over-voltage (event)	N	Buck2 V <sub>OUT</sub> rising above over-voltage threshold (target voltage + 150 mV)	E_OV2	M_OV2	Rise:8 μs Fall:8 μs
Buck1 under-voltage (event)	N	Buck1 V <sub>OUT</sub> falling below under-voltage threshold (target voltage - V <sub>TH_PG</sub> )	E_UV1	M_UV1	0 s
Buck2 under-voltage (event)	N	Buck2 V <sub>OUT</sub> falling below under-voltage threshold (target voltage - V <sub>TH_PG</sub> )	E_UV2	M_UV2	0 s
Buck1 over-current (event)	N	Buck1 current rising above over-current threshold	E_OC1	M_OC1	0 s

## High-Performance Dual-Channel DC-DC Converter

Name	Polarity (Note 1)	Trigger	IRQ Status Register	IRQ Mask Register	Deglitch Period
Buck2 over-current (event)	N	Buck2 current rising above over-current threshold	E_OC2	M_OC2	0 s
Buck1 power-good (status) (Note 2)	P	Buck1 $V_{OUT}$ is in power-good voltage range (not under- or over-voltage)	PG1	M_PG1_STAT (Note 3)	0 s
Buck2 power-good (status) (Note 2)	P	Buck2 $V_{OUT}$ is in power-good voltage range (not under- or over-voltage)	PG2	M_PG2_STAT (Note 3)	0 s
System good (status) (Note 2)	P		SG	M_SG_STAT (Note 3)	0 s
Thermal warning (status) (Note 2)	N	$T_J$ rising above $T_{WARN}$	TEMP_WARN	M_VR_HOT (Note 3)	0 s
GPIO0 change (event)	N	Detect GPIO0 change for active trigger selected GPIO0_TRIG register	E_GPIO0	M_GPIO0	100 $\mu$ s/ 1 ms/ 10 ms/ 100 ms
GPIO1 change (event)	N	Detect GPIO1 change for active trigger selected GPIO1_TRIG register	E_GPIO1	M_GPIO1	
GPIO2 change (event)	N	Detect GPIO2 change for active trigger selected GPIO2_TRIG register	E_GPIO2	M_GPIO2	

**Note 1** Polarity at the source of the flag: P = active-high, N = active-low.

General rule is: normal system state is high, and abnormal system state is low (for example, PG = high means power-good, TEMP\_CRIT = low when TEMP critical state).

**Note 2** Interrupt outputs the status as is. I<sup>2</sup>C write is not required for interrupt clear.

**Note 3** OTP load value defined by CONF pin setting if CONF\_EN = 1.

## High-Performance Dual-Channel DC-DC Converter

**Table 14: Interrupt Registers Except for Power Good Status**

Register	Description
E_<name>	Read-only interrupt event register 0: No interrupt 1: Interrupt occurred <b>Cleared after being written to I<sup>2</sup>C. Set until IRQ is removed.</b>
M_<name>	Interrupt mask register 0: Not masked 1: Masked. No IRQ signal sent. Event register (E_<name>) is updated.

**Table 15: Interrupt Registers for Power Good, System Good, and Temp Warning Status**

Register	Description
PG<x>	Buck<x> power good status. Asserted as long as the buck<x> output voltage is in range (under-voltage threshold < buck output voltage < over-voltage threshold) 0: Not power good 1: Power good
M_PG<x>_STAT	Power good status interrupt mask register 0: Not masked 1: Masked. No IRQ signal sent. Power good status register (PG<x>) is updated
SG	System good status 0: Not system good 1: System good
M_SG_STAT	System good status (SG) interrupt mask register 0: Not masked 1: Masked. No IRQ signal sent. System good status register (SG) is updated
TEMP_WARN	Asserted as long as the thermal warning threshold (T <sub>WARN</sub> ) is reached 0: Junction temperature is below T <sub>WARN</sub> 1: Junction temperature is above T <sub>WARN</sub>
M_VR_HOT	Temperature warning status (TEMP_WARN) interrupt mask register 0: Not masked 1: Masked. No IRQ signal sent. Temperature warning status register (TEMP_WARN) is updated

High-Performance Dual-Channel DC-DC Converter

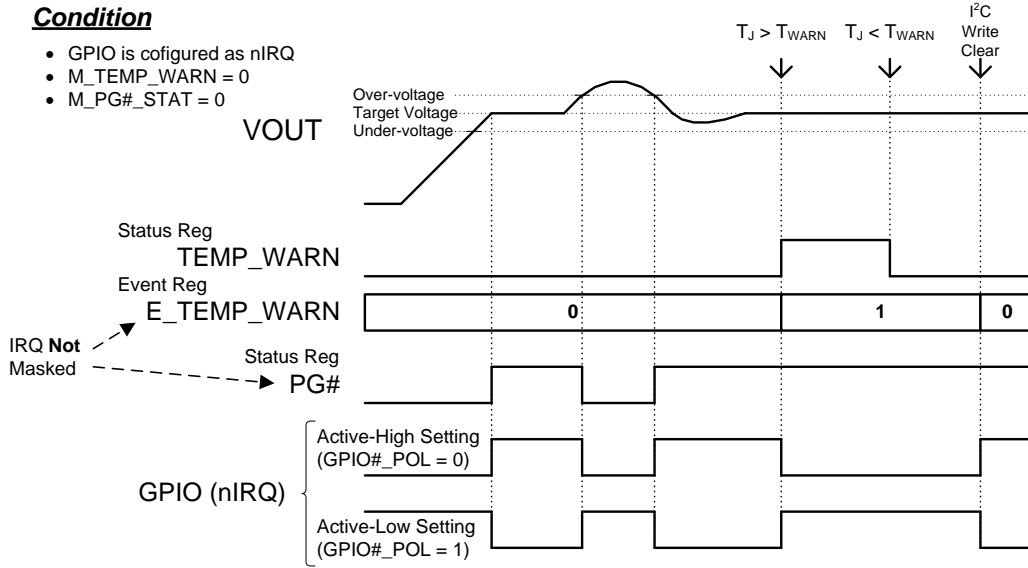


Figure 16: Interrupt Operation Example 1

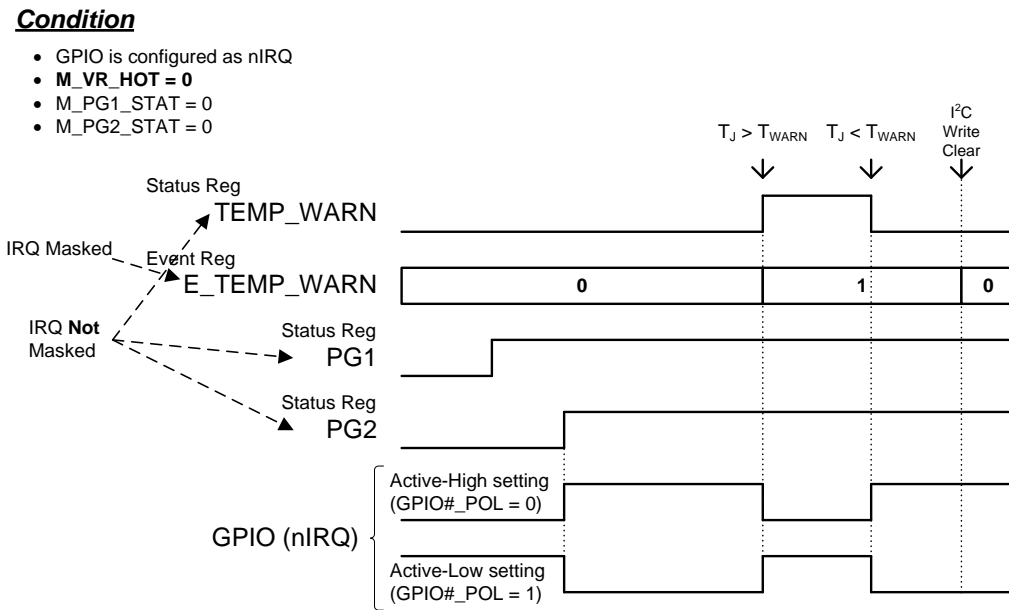


Figure 17: Interrupt Operation Example 2



High-Performance Dual-Channel DC-DC Converter

**Condition**

- GPIO is configured as nIRQ
- **M\_SG = 0**

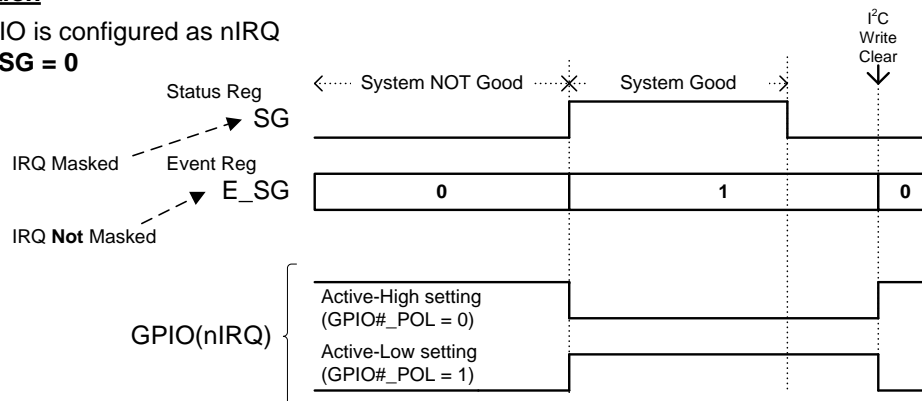


Figure 18: Interrupt Operation Example 3

**Condition**

- GPIO is configured as nIRQ
- **M\_SG\_STAT = 0**

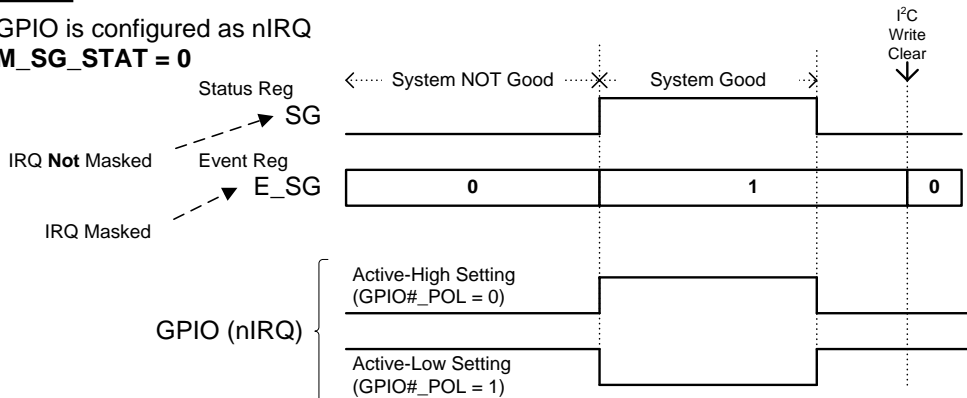


Figure 19: Interrupt Operation Example 4

## High-Performance Dual-Channel DC-DC Converter

### 4.2.3 GPIO

#### 4.2.3.1 GPIO Pin Assignment

The DA9220 provides up to five GPIO pins, three if the I<sup>2</sup>C is enabled, see [Table 16](#). These registers are OTP programmable. When CONF\_EN = 1 GPIO0 can be used for chip configuration.

Any register settings for GPIO3 and GPIO4 are ignored and GPIO3 and GPIO4 function as SCL and SDA respectively if I2C\_EN = 1.

**Table 16: GPIO Pin Assignment**

OTP Option		GPIO Pin					Available GPIOs
I2C_EN	CONF_EN	CONF/ GPIO0	GPIO1	GPIO2	SCL/ GPIO3	SDA/ GPIO4	
1'b0	1'b0	GPIO0	GPIO1	GPIO2	GPIO3	GPIO4	5
	1'b1	CONF	GPIO1	GPIO2	GPIO3	GPIO4	4
1'b1	1'b0	GPIO0	GPIO1	GPIO2	SCL	SDA	3
	1'b1	CONF	GPIO1	GPIO2	SCL	SDA	2

#### 4.2.3.2 GPIO Function

The GPIOs pins are configurable as the following functions in register GPIO<x>\_MODE (x = 0 to 4):

- Buck1 enable input (EN1)
- Buck2 enable input (EN2)
- Buck1 and Buck2 enable input (EN1 & EN2)
- Buck1 DVC control input (DVC1)
- Buck2 DVC control input (DVC2)
- Buck1 and Buck2 DVC control input (DVC1 & DVC2)
- Buck1 and Buck2 OTP setting reload input (RELOAD)
- Buck1 power good output (PG1)
- Buck2 power good output (PG2)
- Buck1 power good and Buck2 power good output (PG1 & PG2)
- System good output (SG)
- Interrupt output (nIRQ)

**Table 17: GPIO Function Configuration**

GPIO<x>_MODE[3:0]	Function	IO Condition
4'h0	GPIO disable	HiZ
4'h1	EN1	In
4'h2	EN2	In
4'h3	EN1 & EN2	In
4'h4	DVC1	In
4'h5	DVC2	In
4'h6	DVC1 & DVC2	In
4'h7	RELOAD	In
4'h8	PG1	Out

High-Performance Dual-Channel DC-DC Converter

GPIO<x>_MODE[3:0]	Function	IO Condition
4'h9	PG2	Out
4'hA	PG1 & PG2	Out
4'hB	SG	Out
4'hC	nIRQ	Out
4'hD	Reserved	HiZ
4'hE	Low level	Out
4'hF	High level	Out

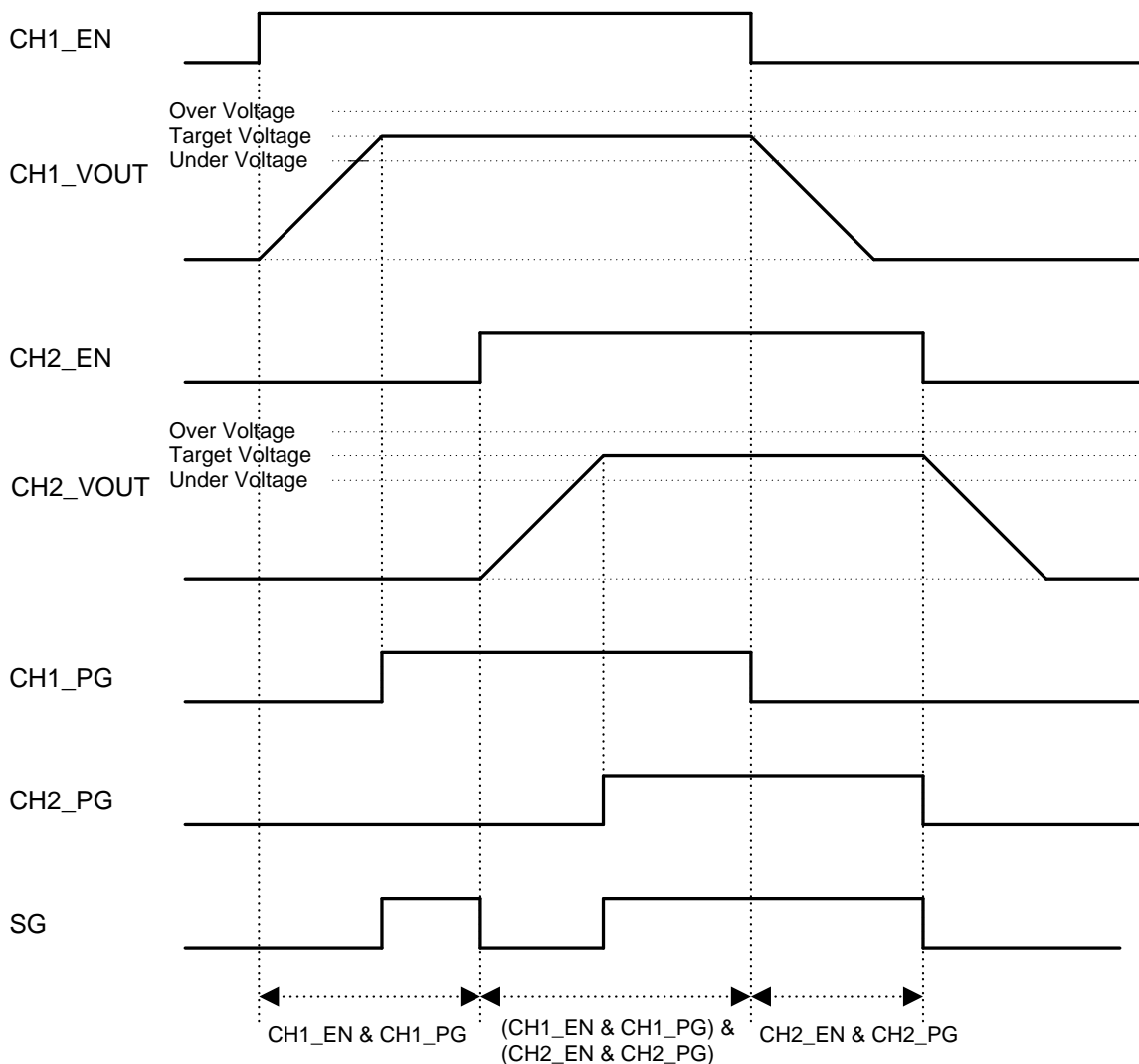


Figure 20: Power Good (PG) and System Good (SG)

## High-Performance Dual-Channel DC-DC Converter

### 4.2.3.3 Chip Configuration Select (CONF)

GPIO0 functions as chip configuration select (CONF) input when CONF\_EN = 1.

Three different chip configurations can be selected according to the CONF pin level, whether it is HIGH, LOW, or Hi-Z.

**Table 18: GPIO0-Configurable Registers when CONF\_EN = 1**

Register Name	Description
IF_SLAVE_ADDR[6:0]	I2C slave address
CH1_A_MODE[1:0]	CH1_A Operation mode select
CH1_B_MODE[1:0]	CH1_B Operation mode select
CH1_VSEL	CH1 output voltage and operation selection
CH1_EN	CH1 enable
CH1_A_VOUT[7:0]	CH1 output voltage setting A
CH1_B_VOUT[7:0]	CH1 output voltage setting B
CH2_A_MODE[1:0]	CH2_A Operation mode select
CH2_B_MODE[1:0]	CH2_B Operation mode select
CH2_VSEL	CH2 output voltage and operation selection
CH2_EN	CH2 enable
CH2_A_VOUT[7:0]	CH2 output voltage setting A
CH2_B_VOUT[7:0]	CH2 output voltage setting B
M_PG1_STAT	IRQ mask setting for CH1 power good status
M_PG2_STAT	IRQ mask setting for CH2 power good status
M_SG_STAT	IRQ mask setting for system good status
M_VR_HOT	IRQ mask setting for temp warning status
CH1_EN_DLY[3:0]	Delay setting for CH1 enable
CH1_DIS_DLY[3:0]	Delay setting for CH1 disable
CH2_EN_DLY[3:0]	Delay setting for CH2 enable
CH2_DIS_DLY[3:0]	Delay setting for CH2 disable
GPIO1_MODE[3:0]	GPIO1 mode setting
GPIO2_MODE[3:0]	GPIO2 mode setting
GPIO1_OBUF	GPIO1 output buffer select
GPIO2_OBUF	GPIO2 output buffer select
GPIO1_TRIG[1:0]	GPIO1 input trigger select
GPIO1_POL	GPIO1 polarity select
GPIO1_PUPD	GPIO1 pull-up/pull-down enable
GPIO1_DEB[1:0]	GPIO1 input debounce time setting
GPIO1_DEB_RISE	GPIO1 input debounce rising edge enable
GPIO1_DEB_FALL	GPIO1 input debounce falling edge enable
GPIO2_TRIG[1:0]	GPIO2 input trigger select
GPIO2_POL	GPIO2 polarity select

## High-Performance Dual-Channel DC-DC Converter

Register Name	Description
GPIO2_PUPD	GPIO2 pull-up/pull-down enable
GPIO2_DEB[1:0]	GPIO2 input debounce time setting
GPIO2_DEB_RISE	GPIO2 input debounce rising edge enable
GPIO2_DEB_FALL	GPIO2 input debounce falling edge enable

### 4.2.3.4 OTP Reload (RELOAD)

Buck settings listed in [Error! Reference source not found.](#) are reloaded from CONF registers by triggering GPIO configured as RELOAD input.

The OTP reload happens at the same time for Buck1 and Buck2 settings. During reloading, Buck1/2 keep operating as configured without shut-down.

**Table 19: OTP Reload Registers**

Register Name	Description
CH#_VSEL	CH# output voltage and operation selection. 0: A, 1: B
CH#_A_VOUT[7:0]	CH# output voltage setting A : CH#_A_VOUT * 10 mV Setting under 0.3V is clamped to 0.3V, and setting over 1.9V is clamped to 1.9 V
CH#_B_VOUT[7:0]	CH# output voltage setting B : CH#_A_VOUT * 10 mV Setting under 0.3 V is clamped to 0.3 V, and setting over 1.9V is clamped to 1.9 V
CH#_A_MODE[1:0]	Operation mode selection 0: Force PFM 1: Force PWM. full phase 2: Force PWM with phase shedding 3: Auto mode
CH#_B_MODE[1:0]	Operation mode selection 0: Force PFM 1: Force PWM. full phase 2: Force PWM with phase shedding 3: Auto mode

## 4.3 Operating Modes

### 4.3.1 ON

DA9220 is ON when the IC\_EN port is higher than  $V_{IH\_EN}$  and the supply voltage is higher than  $V_{THR\_POR}$ . Once enabled, the host processor can start communicating with DA9220 using the control interface, after the  $t_{IC\_EN}$  delay.

### 4.3.2 OFF

DA9220 is OFF when the IC\_EN port is lower than  $V_{IL\_EN}$ . In OFF, the bucks are always disabled and LX nodes are pulled down by (typically 150  $\Omega$ ) internal pull-down resistors.

## 4.4 I<sup>2</sup>C Communication

All features of DA9220 can be controlled with the I<sup>2</sup>C interface which is enabled or disabled in register I2C\_EN.

## High-Performance Dual-Channel DC-DC Converter

I2C_EN	Description
0	I <sup>2</sup> C disable: SCL/GPIO3 and SDA/GPIO4 pins can be used as GPIO
1	I <sup>2</sup> C enable: SCL/GPIO3 and SDA/GPIO4 pins are used as I <sup>2</sup> C clock input and I <sup>2</sup> C data input/output.

GPIO3 functions as the I<sup>2</sup>C clock and GPIO4 carries all the power manager bidirectional I<sup>2</sup>C data. The I<sup>2</sup>C interface is open-drain supporting multiple devices on a single line. The bus lines have to be pulled high by external pull-up resistors (2 kΩ to 20 kΩ). The standard frequency of the I<sup>2</sup>C bus is 1 MHz in fast-mode plus (FM+), 400 kHz in fast-mode, or 100 kHz in standard mode.

### 4.4.1 I<sup>2</sup>C Protocol

All data is transmitted across the I<sup>2</sup>C bus in eight-bit groups. To send a bit, the SDA line is driven towards the intended state while the SCL is low (a low SDA indicates a zero bit). Once the SDA has settled, the SCL line is brought high and then low. This pulse on SCL clocks the SDA bit into the receiver's shift register.

A two-byte serial protocol is used containing one byte for address and one byte data. Data and address transfer are transmitted MSB first for both read and write operations. All transmissions begin with the START condition from the master while the bus is in idle state (the bus is free). It is initiated by a high to low transition on the SDA line while the SCL is in the high state (a STOP condition is indicated by a low to high transition on the SDA line while the SCL is in the high state).



Figure 21: I<sup>2</sup>C START and STOP Condition Timing

The I<sup>2</sup>C bus is monitored for a valid slave address whenever the interface is enabled. It responds immediately when it receives its own slave address. The acknowledge is done by pulling the SDA line low during the following clock cycle (white blocks marked with A in Figure 22 and Figure 23).

The protocol for a register write from master to slave consists of a START condition, a slave address with read/write bit, and the eight-bit register address followed by eight bits of data, terminated by a STOP condition. DA9220 responds to all bytes with acknowledge (A), see Figure 22.

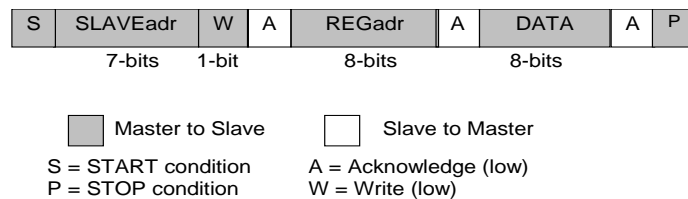


Figure 22: I<sup>2</sup>C Byte Write (SDA Line)

When the host reads data from a register it first has to write to DA9220 with the target register address and then read from DA9220 with a repeated START, or alternatively a second START condition. After receiving the data, the host sends no acknowledge (A\*) and terminates the transmission with a STOP condition, see Figure 23.

High-Performance Dual-Channel DC-DC Converter

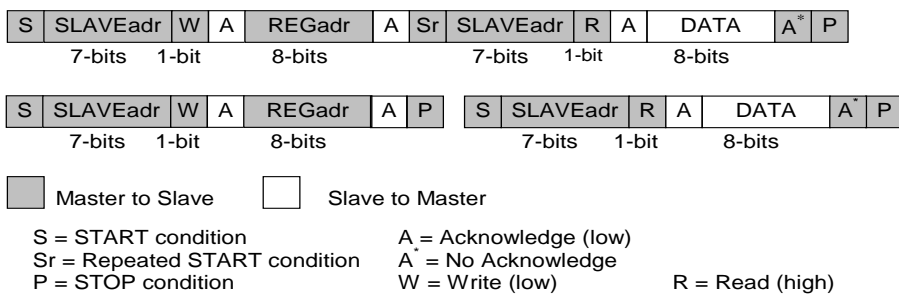


Figure 23: I<sup>2</sup>C Byte Read (SDA Line) Examples

## High-Performance Dual-Channel DC-DC Converter

### 5 Register Definitions

#### 5.1 Register Map

Table 20: Register Map

Addr	Register	7	6	5	4	3	2	1	0
<b>System Module</b>									
<b>System</b>									
0x0001	<a href="#">SYS_STATUS_0</a>	Reserved	Reserved	Reserved	Reserved	Reserved	SG	TEMP_CRIT	TEMP_WARN
0x0002	<a href="#">SYS_STATUS_1</a>	PG2	OV2	UV2	OC2	PG1	OV1	UV1	OC1
0x0003	<a href="#">SYS_STATUS_2</a>	Reserved	Reserved	Reserved	Reserved	Reserved	GPIO2	GPIO1	GPIO0
0x0004	<a href="#">SYS_EVENT_0</a>	Reserved	Reserved	Reserved	Reserved	Reserved	E_SG	E_TEMP_CRIT	E_TEMP_WARN
0x0005	<a href="#">SYS_EVENT_1</a>	E_PG2	E_OV2	E_UV2	E_OC2	E_PG1	E_OV1	E_UV1	E_OC1
0x0006	<a href="#">SYS_EVENT_2</a>	Reserved	Reserved	Reserved	Reserved	Reserved	E_GPIO2	E_GPIO1	E_GPIO0
0x0007	<a href="#">SYS_MASK_0</a>	Reserved	Reserved	Reserved	Reserved	Reserved	M_SG	M_TEMP_CRIT	M_TEMP_WARN
0x0008	<a href="#">SYS_MASK_1</a>	M_PG2	M_OV2	M_UV2	M_OC2	M_PG1	M_OV1	M_UV1	M_OC1
0x0009	<a href="#">SYS_MASK_2</a>	Reserved	Reserved	Reserved	Reserved	Reserved	M_GPIO2	M_GPIO1	M_GPIO0
0x000A	<a href="#">SYS_MASK_3</a>	Reserved	Reserved	Reserved	Reserved	M_VR_HOLD	M_SG_STAT	M_PG2_STAT	M_PG1_STAT
0x000B	<a href="#">SYS_CONFIG_0</a>	CH1_DIS_DLY<3:0>				CH1_EN_DLY<3:0>			
0x000C	<a href="#">SYS_CONFIG_1</a>	CH2_DIS_DLY<3:0>				CH2_EN_DLY<3:0>			
0x000D	<a href="#">SYS_CONFIG_2</a>	Reserved	OC_LATCHOFF<1:0>		OC_DVC_MASK	PG_DVC_MASK<1:0>		Reserved	Reserved
0x000E	<a href="#">SYS_CONFIG_3</a>	Reserved	OSC_TUNE<2:0>			Reserved	Reserved	I2C_TIMEOUT	Reserved
0x0010	<a href="#">SYS_GPIO0_0</a>	Reserved	Reserved	Reserved	GPIO0_MODE<3:0>				GPIO0_OBUF
0x0011	<a href="#">SYS_GPIO0_1</a>	GPIO0_D_EB_FALL	GPIO0_D_EB_RISE	GPIO0_DEB<1:0>		GPIO0_P_UPD	GPIO0_POL	GPIO0_TRIG<1:0>	
0x0012	<a href="#">SYS_GPIO1_0</a>	Reserved	Reserved	Reserved	GPIO1_MODE<3:0>				GPIO1_OBUF
0x0013	<a href="#">SYS_GPIO1_1</a>	GPIO1_D_EB_FALL	GPIO1_D_EB_RISE	GPIO1_DEB<1:0>		GPIO1_P_UPD	GPIO1_POL	GPIO1_TRIG<1:0>	
0x0014	<a href="#">SYS_GPIO2_0</a>	Reserved	Reserved	Reserved	GPIO2_MODE<3:0>				GPIO2_OBUF
0x0015	<a href="#">SYS_GPIO2_1</a>	GPIO2_D_EB_FALL	GPIO2_D_EB_RISE	GPIO2_DEB<1:0>		GPIO2_P_UPD	GPIO2_POL	GPIO2_TRIG<1:0>	



## High-Performance Dual-Channel DC-DC Converter

Addr	Register	7	6	5	4	3	2	1	0
<b>Buck Control</b>									
<b>Buck1</b>									
0x0020	BUCK_BUCK1_0	Reserved	CH1_SR_DVC_DWN<2:0>			CH1_SR_DVC_UP<2:0>			CH1_EN
0x0021	BUCK_BUCK1_1	Reserved	CH1_SR_SHDN<2:0>			CH1_SR_STARTUP<2:0>			CH1_PD_DIS
0x0022	BUCK_BUCK1_2	Reserved	Reserved	Reserved	Reserved	CH1_ILIM<3:0>			
0x0023	BUCK_BUCK1_3	CH1_VMAX<7:0>							
0x0024	BUCK_BUCK1_4	Reserved	Reserved	Reserved	CH1_VSE L	CH1_B_MODE<1:0>		CH1_A_MODE<1:0>	
0x0025	BUCK_BUCK1_5	CH1_A_VOUT<7:0>							
0x0026	BUCK_BUCK1_6	CH1_B_VOUT<7:0>							
0x0027	BUCK_BUCK1_7	Reserved	Reserved	Reserved	Reserved	Reserved	Reserved	CH1_RIPPLE_CANCEL<1:0>	
<b>Buck2</b>									
0x0028	BUCK_BUCK2_0	Reserved	CH2_SR_DVC_DWN<2:0>			CH2_SR_DVC_UP<2:0>			CH2_EN
0x0029	BUCK_BUCK2_1	Reserved	CH2_SR_SHDN<2:0>			CH2_SR_STARTUP<2:0>			CH2_PD_DIS
0x002A	BUCK_BUCK2_2	Reserved	Reserved	Reserved	Reserved	CH2_ILIM<3:0>			
0x002B	BUCK_BUCK2_3	CH2_VMAX<7:0>							
0x002C	BUCK_BUCK2_4	Reserved	Reserved	Reserved	CH2_VSE L	CH2_B_MODE<1:0>		CH2_A_MODE<1:0>	
0x002D	BUCK_BUCK2_5	CH2_A_VOUT<7:0>							
0x002E	BUCK_BUCK2_6	CH2_B_VOUT<7:0>							
0x002F	BUCK_BUCK2_7	Reserved	Reserved	Reserved	Reserved	Reserved	Reserved	CH2_RIPPLE_CANCEL<1:0>	
<b>Serialization</b>									
0x0048	OTP_DEVICE_ID	DEV_ID<7:0>							
0x0049	OTP_VARIANT_ID	MRC<3:0>				VRC<3:0>			
0x004A	OTP_CUSTOMER_ID	CUST_ID<7:0>							
0x004B	OTP_CONFIG_ID	CONFIG_REV<7:0>							

## High-Performance Dual-Channel DC-DC Converter

### 5.1.1 System

**Table 21: SYS\_STATUS\_0 (0x0001)**

Bit	Symbol	Description
[2]	SG	Asserted as long as the enabled buck output voltage is in range
[1]	TEMP_CRIT	Asserted as long as the thermal shutdown threshold is reached
[0]	TEMP_WARN	Asserted as long as the thermal warning threshold is reached

**Table 22: SYS\_STATUS\_1 (0x0002)**

Bit	Symbol	Description
[7]	PG2	Asserted as long as the Buck2 output voltage is in range
[6]	OV2	Asserted as long as Buck2 hitting over-voltage
[5]	UV2	Asserted as long as Buck2 hitting under-voltage
[4]	OC2	Asserted as long as Buck2 hitting over-current
[3]	PG1	Asserted as long as the Buck1 output voltage is in range
[2]	OV1	Asserted as long as Buck1 hitting over-voltage
[1]	UV1	Asserted as long as Buck1 hitting under-voltage
[0]	OC1	Asserted as long as Buck1 hitting over-current

**Table 23: SYS\_STATUS\_2 (0x0003)**

Bit	Symbol	Description
[2]	GPIO2	GPIO2 status
[1]	GPIO1	GPIO1 status
[0]	GPIO0	GPIO0 status

**Table 24: SYS\_EVENT\_0 (0x0004)**

Bit	Symbol	Description
[2]	E_SG	SG caused event. Writing 1 action clear this bit into 0 if event source has been released.
[1]	E_TEMP_CRIT	TEMP_CRIT caused event. Writing 1 action clear this bit into 0 if event source has been released.
[0]	E_TEMP_WARN	TEMP_WARN caused event. Writing 1 action clear this bit into 0 if event source has been released.

## High-Performance Dual-Channel DC-DC Converter

**Table 25: SYS\_EVENT\_1 (0x0005)**

Bit	Symbol	Description
[7]	E_PG2	PG2 caused event. Writing 1 action clear this bit into 0 if event source has been released.
[6]	E_OV2	OV2 caused event. Writing 1 action clear this bit into 0 if event source has been released.
[5]	E_UV2	UV2 caused event. Writing 1 action clear this bit into 0 if event source has been released.
[4]	E_OC2	OC2 caused event. Writing 1 action clear this bit into 0 if event source has been released.
[3]	E_PG1	PG1 caused event. Writing 1 action clear this bit into 0 if event source has been released.
[2]	E_OV1	OV1 caused event. Writing 1 action clear this bit into 0 if event source has been released.
[1]	E_UV1	UV1 caused event. Writing 1 action clear this bit into 0 if event source has been released.
[0]	E_OC1	OC1 caused event. Writing 1 action clear this bit into 0 if event source has been released.

**Table 26: SYS\_EVENT\_2 (0x0006)**

Bit	Symbol	Description
[2]	E_GPIO2	GPIO2 event. Writing 1 action clear this bit into 0 if event source has been released.
[1]	E_GPIO1	GPIO1 event. Writing 1 action clear this bit into 0 if event source has been released.
[0]	E_GPIO0	GPIO0 event. Writing 1 action clear this bit into 0 if event source has been released.

**Table 27: SYS\_MASK\_0 (0x0007)**

Bit	Symbol	Description
[2]	M_SG	SG IRQ mask
[1]	M_TEMP_CRIT	TEMP_CRIT IRQ mask
[0]	M_TEMP_WARN	TEMP_WARN IRQ mask

**Table 28: SYS\_MASK\_1 (0x0008)**

Bit	Symbol	Description
[7]	M_PG2	PG2 event IRQ mask
[6]	M_OV2	OV2 event IRQ mask
[5]	M_UV2	UV2 event IRQ mask
[4]	M_OC2	OC2 event IRQ mask
[3]	M_PG1	PG1 event IRQ mask
[2]	M_OV1	OV1 event IRQ mask
[1]	M_UV1	UV1 event IRQ mask
[0]	M_OC1	OC1 event IRQ mask

## High-Performance Dual-Channel DC-DC Converter

**Table 29: SYS\_MASK\_2 (0x0009)**

Bit	Symbol	Description
[2]	M_GPIO2	GPIO2 IRQ mask
[1]	M_GPIO1	GPIO1 IRQ mask
[0]	M_GPIO0	GPIO0 IRQ mask

**Table 30: SYS\_MASK\_3 (0x000A)**

Bit	Symbol	Description
[3]	M_VR_HOT	Temp warning status IRQ mask. Initial value is determined by CONF pin setting at the start-up in CONF_EN = 1
[2]	M_SG_STAT	SG status IRQ mask. Initial value is determined by CONF pin setting at the start-up in CONF_EN = 1
[1]	M_PG2_STAT	PG2 status IRQ mask Initial value is determined by CONF pin setting at the start-up in CONF_EN = 1
[0]	M_PG1_STAT	PG1 status IRQ mask. Initial value is determined by CONF pin setting at the start-up in CONF_EN = 1

**Table 31: SYS\_CONFIG\_0 (0x000B)**

Bit	Symbol	Description																																		
[7:4]	CH1_DIS_DLY	<p>Delay for CH1 disable. Active with GPIO configured as EN1&amp;EN2 control and IC_EN control. Initial value is determined by CONF pin setting at the start-up in CONF_EN = 1</p> <table border="1"> <thead> <tr> <th>Value</th> <th>Description</th> </tr> </thead> <tbody> <tr> <td>0x0</td> <td>0</td> </tr> <tr> <td>0x1</td> <td>1.0 ms</td> </tr> <tr> <td>0x2</td> <td>2.0 ms</td> </tr> <tr> <td>0x3</td> <td>3.0 ms</td> </tr> <tr> <td>0x4</td> <td>4.0 ms</td> </tr> <tr> <td>0x5</td> <td>5.0 ms</td> </tr> <tr> <td>0x6</td> <td>6.0 ms</td> </tr> <tr> <td>0x7</td> <td>7.0 ms</td> </tr> <tr> <td>0x8</td> <td>8.0 ms</td> </tr> <tr> <td>0x9</td> <td>9.0 ms</td> </tr> <tr> <td>0xA</td> <td>10.0 ms</td> </tr> <tr> <td>0xB</td> <td>11.0 ms</td> </tr> <tr> <td>0xC</td> <td>12.0 ms</td> </tr> <tr> <td>0xD</td> <td>13.0 ms</td> </tr> <tr> <td>0xE</td> <td>14.0 ms</td> </tr> <tr> <td>0xF</td> <td>15.0 ms</td> </tr> </tbody> </table>	Value	Description	0x0	0	0x1	1.0 ms	0x2	2.0 ms	0x3	3.0 ms	0x4	4.0 ms	0x5	5.0 ms	0x6	6.0 ms	0x7	7.0 ms	0x8	8.0 ms	0x9	9.0 ms	0xA	10.0 ms	0xB	11.0 ms	0xC	12.0 ms	0xD	13.0 ms	0xE	14.0 ms	0xF	15.0 ms
Value	Description																																			
0x0	0																																			
0x1	1.0 ms																																			
0x2	2.0 ms																																			
0x3	3.0 ms																																			
0x4	4.0 ms																																			
0x5	5.0 ms																																			
0x6	6.0 ms																																			
0x7	7.0 ms																																			
0x8	8.0 ms																																			
0x9	9.0 ms																																			
0xA	10.0 ms																																			
0xB	11.0 ms																																			
0xC	12.0 ms																																			
0xD	13.0 ms																																			
0xE	14.0 ms																																			
0xF	15.0 ms																																			
[3:0]	CH1_EN_DLY	Delay for CH1 enable. Active with GPIO configured as EN1&EN2 control and IC_EN control. Initial value is determined by CONF pin setting at the start-up in CONF_EN = 1																																		

## High-Performance Dual-Channel DC-DC Converter

Bit	Symbol	Description																																		
		<table border="1"> <thead> <tr> <th>Value</th> <th>Description</th> </tr> </thead> <tbody> <tr> <td><b>0x0</b></td> <td><b>0</b></td> </tr> <tr> <td>0x1</td> <td>0.5 ms</td> </tr> <tr> <td>0x2</td> <td>1.0 ms</td> </tr> <tr> <td>0x3</td> <td>1.5 ms</td> </tr> <tr> <td>0x4</td> <td>2.0 ms</td> </tr> <tr> <td>0x5</td> <td>2.5 ms</td> </tr> <tr> <td>0x6</td> <td>3.0 ms</td> </tr> <tr> <td>0x7</td> <td>3.5 ms</td> </tr> <tr> <td>0x8</td> <td>4.0 ms</td> </tr> <tr> <td>0x9</td> <td>4.5 ms</td> </tr> <tr> <td>0xA</td> <td>5.0 ms</td> </tr> <tr> <td>0xB</td> <td>5.5 ms</td> </tr> <tr> <td>0xC</td> <td>6.0 ms</td> </tr> <tr> <td>0xD</td> <td>6.5 ms</td> </tr> <tr> <td>0xE</td> <td>7.0 ms</td> </tr> <tr> <td>0xF</td> <td>7.5 ms</td> </tr> </tbody> </table>	Value	Description	<b>0x0</b>	<b>0</b>	0x1	0.5 ms	0x2	1.0 ms	0x3	1.5 ms	0x4	2.0 ms	0x5	2.5 ms	0x6	3.0 ms	0x7	3.5 ms	0x8	4.0 ms	0x9	4.5 ms	0xA	5.0 ms	0xB	5.5 ms	0xC	6.0 ms	0xD	6.5 ms	0xE	7.0 ms	0xF	7.5 ms
Value	Description																																			
<b>0x0</b>	<b>0</b>																																			
0x1	0.5 ms																																			
0x2	1.0 ms																																			
0x3	1.5 ms																																			
0x4	2.0 ms																																			
0x5	2.5 ms																																			
0x6	3.0 ms																																			
0x7	3.5 ms																																			
0x8	4.0 ms																																			
0x9	4.5 ms																																			
0xA	5.0 ms																																			
0xB	5.5 ms																																			
0xC	6.0 ms																																			
0xD	6.5 ms																																			
0xE	7.0 ms																																			
0xF	7.5 ms																																			

**Table 32: SYS\_CONFIG\_1 (0x000C)**

Bit	Symbol	Description																														
[7:4]	CH2_DIS_DLY	<p>Delay for CH2 disable. Active with GPIO configured as EN1&amp;EN2 control and IC_EN control. Initial value is determined by CONF pin setting at the start-up in CONF_EN = 1</p> <table border="1"> <thead> <tr> <th>Value</th> <th>Description</th> </tr> </thead> <tbody> <tr> <td><b>0x0</b></td> <td><b>0</b></td> </tr> <tr> <td>0x1</td> <td>1.0 ms</td> </tr> <tr> <td>0x2</td> <td>2.0 ms</td> </tr> <tr> <td>0x3</td> <td>3.0 ms</td> </tr> <tr> <td>0x4</td> <td>4.0 ms</td> </tr> <tr> <td>0x5</td> <td>5.0 ms</td> </tr> <tr> <td>0x6</td> <td>6.0 ms</td> </tr> <tr> <td>0x7</td> <td>7.0 ms</td> </tr> <tr> <td>0x8</td> <td>8.0 ms</td> </tr> <tr> <td>0x9</td> <td>9.0 ms</td> </tr> <tr> <td>0xA</td> <td>10.0 ms</td> </tr> <tr> <td>0xB</td> <td>11.0 ms</td> </tr> <tr> <td>0xC</td> <td>12.0 ms</td> </tr> <tr> <td>0xD</td> <td>13.0 ms</td> </tr> </tbody> </table>	Value	Description	<b>0x0</b>	<b>0</b>	0x1	1.0 ms	0x2	2.0 ms	0x3	3.0 ms	0x4	4.0 ms	0x5	5.0 ms	0x6	6.0 ms	0x7	7.0 ms	0x8	8.0 ms	0x9	9.0 ms	0xA	10.0 ms	0xB	11.0 ms	0xC	12.0 ms	0xD	13.0 ms
Value	Description																															
<b>0x0</b>	<b>0</b>																															
0x1	1.0 ms																															
0x2	2.0 ms																															
0x3	3.0 ms																															
0x4	4.0 ms																															
0x5	5.0 ms																															
0x6	6.0 ms																															
0x7	7.0 ms																															
0x8	8.0 ms																															
0x9	9.0 ms																															
0xA	10.0 ms																															
0xB	11.0 ms																															
0xC	12.0 ms																															
0xD	13.0 ms																															

## High-Performance Dual-Channel DC-DC Converter

Bit	Symbol	Description																																		
		0xE      14.0 ms 0xF      15.0 ms																																		
[3:0]	CH2_EN_DLY	<p>Delay for CH2 enable. Active with GPIO configured as EN1&amp;EN2 control and IC_EN control. Initial value is determined by CONF pin setting at the start-up in CONF_EN = 1</p> <table border="1"> <thead> <tr> <th>Value</th> <th>Description</th> </tr> </thead> <tbody> <tr> <td><b>0x0</b></td> <td><b>0</b></td> </tr> <tr> <td>0x1</td> <td>0.5 ms</td> </tr> <tr> <td>0x2</td> <td>1.0 ms</td> </tr> <tr> <td>0x3</td> <td>1.5 ms</td> </tr> <tr> <td>0x4</td> <td>2.0 ms</td> </tr> <tr> <td>0x5</td> <td>2.5 ms</td> </tr> <tr> <td>0x6</td> <td>3.0 ms</td> </tr> <tr> <td>0x7</td> <td>3.5 ms</td> </tr> <tr> <td>0x8</td> <td>4.0 ms</td> </tr> <tr> <td>0x9</td> <td>4.5 ms</td> </tr> <tr> <td>0xA</td> <td>5.0 ms</td> </tr> <tr> <td>0xB</td> <td>5.5 ms</td> </tr> <tr> <td>0xC</td> <td>6.0 ms</td> </tr> <tr> <td>0xD</td> <td>6.5 ms</td> </tr> <tr> <td>0xE</td> <td>7.0 ms</td> </tr> <tr> <td>0xF</td> <td>7.5 ms</td> </tr> </tbody> </table>	Value	Description	<b>0x0</b>	<b>0</b>	0x1	0.5 ms	0x2	1.0 ms	0x3	1.5 ms	0x4	2.0 ms	0x5	2.5 ms	0x6	3.0 ms	0x7	3.5 ms	0x8	4.0 ms	0x9	4.5 ms	0xA	5.0 ms	0xB	5.5 ms	0xC	6.0 ms	0xD	6.5 ms	0xE	7.0 ms	0xF	7.5 ms
Value	Description																																			
<b>0x0</b>	<b>0</b>																																			
0x1	0.5 ms																																			
0x2	1.0 ms																																			
0x3	1.5 ms																																			
0x4	2.0 ms																																			
0x5	2.5 ms																																			
0x6	3.0 ms																																			
0x7	3.5 ms																																			
0x8	4.0 ms																																			
0x9	4.5 ms																																			
0xA	5.0 ms																																			
0xB	5.5 ms																																			
0xC	6.0 ms																																			
0xD	6.5 ms																																			
0xE	7.0 ms																																			
0xF	7.5 ms																																			

## High-Performance Dual-Channel DC-DC Converter

**Table 33: SYS\_CONFIG\_2 (0x000D)**

Bit	Symbol	Description										
[6:5]	OC_LATCHOFF	<p>Over-current latch-off setting. BUCK shut-down after OCP for 8 <math>\mu</math>s/1 ms/3 ms unless disable setting. IRQ is generated unless IRQ is masked.</p> <table> <thead> <tr> <th>Value</th> <th>Description</th> </tr> </thead> <tbody> <tr> <td><b>0x0</b></td> <td><b>Latch off disable</b></td> </tr> <tr> <td>0x1</td> <td>Latch off after 8 <math>\mu</math>s of OCP signal</td> </tr> <tr> <td>0x2</td> <td>Latch off after 1 ms of OCP signal</td> </tr> <tr> <td>0x3</td> <td>Latch off after 3 ms of OCP signal</td> </tr> </tbody> </table>	Value	Description	<b>0x0</b>	<b>Latch off disable</b>	0x1	Latch off after 8 $\mu$ s of OCP signal	0x2	Latch off after 1 ms of OCP signal	0x3	Latch off after 3 ms of OCP signal
Value	Description											
<b>0x0</b>	<b>Latch off disable</b>											
0x1	Latch off after 8 $\mu$ s of OCP signal											
0x2	Latch off after 1 ms of OCP signal											
0x3	Latch off after 3 ms of OCP signal											
[4]	OC_DVC_MASK	Over-current event (IRQ and latch-off feature) mask during DVC ramp-up and ramp-down for both CH1 and CH2										
[3:2]	PG_DVC_MASK	<p>Power-good mask during DVC for both CH1 and CH 2</p> <table> <thead> <tr> <th>Value</th> <th>Description</th> </tr> </thead> <tbody> <tr> <td><b>0x0</b></td> <td><b>No mask</b></td> </tr> <tr> <td>0x1</td> <td>Mask as not power good during DVC</td> </tr> <tr> <td>0x2</td> <td>Mask as power good during DVC</td> </tr> <tr> <td>0x3</td> <td>Reserved</td> </tr> </tbody> </table>	Value	Description	<b>0x0</b>	<b>No mask</b>	0x1	Mask as not power good during DVC	0x2	Mask as power good during DVC	0x3	Reserved
Value	Description											
<b>0x0</b>	<b>No mask</b>											
0x1	Mask as not power good during DVC											
0x2	Mask as power good during DVC											
0x3	Reserved											

**Table 34: SYS\_CONFIG\_3 (0x000E)**

Bit	Symbol	Description																		
[6:4]	OSC_TUNE	<p>Tune oscillator frequency, tuned frequency = Current + OSC_TUNE * 160 kHz</p> <table> <thead> <tr> <th>Value</th> <th>Description</th> </tr> </thead> <tbody> <tr> <td>0x3</td> <td>3</td> </tr> <tr> <td>0x2</td> <td>2</td> </tr> <tr> <td>0x1</td> <td>1</td> </tr> <tr> <td><b>0x0</b></td> <td><b>0</b></td> </tr> <tr> <td>0x7</td> <td>-1</td> </tr> <tr> <td>0x6</td> <td>-2</td> </tr> <tr> <td>0x5</td> <td>-3</td> </tr> <tr> <td>0x4</td> <td>-4</td> </tr> </tbody> </table>	Value	Description	0x3	3	0x2	2	0x1	1	<b>0x0</b>	<b>0</b>	0x7	-1	0x6	-2	0x5	-3	0x4	-4
Value	Description																			
0x3	3																			
0x2	2																			
0x1	1																			
<b>0x0</b>	<b>0</b>																			
0x7	-1																			
0x6	-2																			
0x5	-3																			
0x4	-4																			
[1]	I2C_TIMEOUT	Enable automatic reset of 2-wire interface (if SDA stays low for >50 ms).																		

---



---

High-Performance Dual-Channel DC-DC Converter

Table 35: SYS\_GPIO0\_0 (0x0010)

Bit	Symbol	Description																																		
[4:1]	GPIO0_MODE	GPIO function mode select  <table border="0"> <thead> <tr> <th>Value</th> <th>Description</th> </tr> </thead> <tbody> <tr> <td><b>0x0</b></td> <td><b>GPIO disable</b></td> </tr> <tr> <td>0x1</td> <td>EN1 input</td> </tr> <tr> <td>0x2</td> <td>EN2 input</td> </tr> <tr> <td>0x3</td> <td>EN1 &amp; EN2 input</td> </tr> <tr> <td>0x4</td> <td>DVC1 input</td> </tr> <tr> <td>0x5</td> <td>DVC2 input</td> </tr> <tr> <td>0x6</td> <td>DVC1 &amp; DVC2 input</td> </tr> <tr> <td>0x7</td> <td>RELOAD input</td> </tr> <tr> <td>0x8</td> <td>PG1 output</td> </tr> <tr> <td>0x9</td> <td>PG2 output</td> </tr> <tr> <td>0xA</td> <td>PG1 &amp; PG2 output</td> </tr> <tr> <td>0xB</td> <td>SG output</td> </tr> <tr> <td>0xC</td> <td>nIRQ output</td> </tr> <tr> <td>0xD</td> <td>Reserved</td> </tr> <tr> <td>0xE</td> <td>Low output</td> </tr> <tr> <td>0xF</td> <td>High output</td> </tr> </tbody> </table>	Value	Description	<b>0x0</b>	<b>GPIO disable</b>	0x1	EN1 input	0x2	EN2 input	0x3	EN1 & EN2 input	0x4	DVC1 input	0x5	DVC2 input	0x6	DVC1 & DVC2 input	0x7	RELOAD input	0x8	PG1 output	0x9	PG2 output	0xA	PG1 & PG2 output	0xB	SG output	0xC	nIRQ output	0xD	Reserved	0xE	Low output	0xF	High output
Value	Description																																			
<b>0x0</b>	<b>GPIO disable</b>																																			
0x1	EN1 input																																			
0x2	EN2 input																																			
0x3	EN1 & EN2 input																																			
0x4	DVC1 input																																			
0x5	DVC2 input																																			
0x6	DVC1 & DVC2 input																																			
0x7	RELOAD input																																			
0x8	PG1 output																																			
0x9	PG2 output																																			
0xA	PG1 & PG2 output																																			
0xB	SG output																																			
0xC	nIRQ output																																			
0xD	Reserved																																			
0xE	Low output																																			
0xF	High output																																			
[0]	GPIO0_OBUF	GPIO output buffer select  <table border="0"> <thead> <tr> <th>Value</th> <th>Description</th> </tr> </thead> <tbody> <tr> <td><b>0x0</b></td> <td><b>open-drain output</b></td> </tr> <tr> <td>0x1</td> <td>push-pull output</td> </tr> </tbody> </table>	Value	Description	<b>0x0</b>	<b>open-drain output</b>	0x1	push-pull output																												
Value	Description																																			
<b>0x0</b>	<b>open-drain output</b>																																			
0x1	push-pull output																																			



## High-Performance Dual-Channel DC-DC Converter

**Table 36: SYS\_GPIO0\_1 (0x0011)**

Bit	Symbol	Description										
[7]	GPIO0_DEB_FALL	GPI debouce falling edge										
[6]	GPIO0_DEB_RISE	GPI debounce rising edge										
[5:4]	GPIO0_DEB	<p>GPI debounce time</p> <table border="1"> <thead> <tr> <th>Value</th> <th>Description</th> </tr> </thead> <tbody> <tr> <td>0x0</td> <td>100 <math>\mu</math>s debouce</td> </tr> <tr> <td>0x1</td> <td>1 ms debouce</td> </tr> <tr> <td>0x2</td> <td>10 ms debounce</td> </tr> <tr> <td>0x3</td> <td>100 ms debounce</td> </tr> </tbody> </table>	Value	Description	0x0	100 $\mu$ s debouce	0x1	1 ms debouce	0x2	10 ms debounce	0x3	100 ms debounce
Value	Description											
0x0	100 $\mu$ s debouce											
0x1	1 ms debouce											
0x2	10 ms debounce											
0x3	100 ms debounce											
[3]	GPIO0_PUPD	<p>GPIO pull-up/pull-down enable</p> <table border="1"> <thead> <tr> <th>Value</th> <th>Description</th> </tr> </thead> <tbody> <tr> <td>0x0</td> <td><b>GPI: pull-down disabled, GPO: pull-up to AVDD disabled</b></td> </tr> <tr> <td>0x1</td> <td>GPI: pull-down enabled, GPO: pull-up to AVDD enabled</td> </tr> </tbody> </table>	Value	Description	0x0	<b>GPI: pull-down disabled, GPO: pull-up to AVDD disabled</b>	0x1	GPI: pull-down enabled, GPO: pull-up to AVDD enabled				
Value	Description											
0x0	<b>GPI: pull-down disabled, GPO: pull-up to AVDD disabled</b>											
0x1	GPI: pull-down enabled, GPO: pull-up to AVDD enabled											
[2]	GPIO0_POL	<p>GPIO polarity</p> <table border="1"> <thead> <tr> <th>Value</th> <th>Description</th> </tr> </thead> <tbody> <tr> <td>0x0</td> <td><b>GPIO is active-high</b></td> </tr> <tr> <td>0x1</td> <td>GPIO is active-low</td> </tr> </tbody> </table>	Value	Description	0x0	<b>GPIO is active-high</b>	0x1	GPIO is active-low				
Value	Description											
0x0	<b>GPIO is active-high</b>											
0x1	GPIO is active-low											
[1:0]	GPIO0_TRIG	<p>GPI trigger type</p> <table border="1"> <thead> <tr> <th>Value</th> <th>Description</th> </tr> </thead> <tbody> <tr> <td>0x0</td> <td><b>Dual-edge triggered</b></td> </tr> <tr> <td>0x1</td> <td>Pos-edge triggered</td> </tr> <tr> <td>0x2</td> <td>Neg-edge triggered</td> </tr> <tr> <td>0x3</td> <td>Reserved (No trigger)</td> </tr> </tbody> </table>	Value	Description	0x0	<b>Dual-edge triggered</b>	0x1	Pos-edge triggered	0x2	Neg-edge triggered	0x3	Reserved (No trigger)
Value	Description											
0x0	<b>Dual-edge triggered</b>											
0x1	Pos-edge triggered											
0x2	Neg-edge triggered											
0x3	Reserved (No trigger)											

**Table 37: SYS\_GPIO1\_0 (0x0012)**

Bit	Symbol	Description																
[4:1]	GPIO1_MODE	<p>GPIO function mode select. Initial value is determined by CONF pin setting at the start-up in CONF_EN = 1</p> <table border="1"> <thead> <tr> <th>Value</th> <th>Description</th> </tr> </thead> <tbody> <tr> <td>0x0</td> <td><b>GPIO disable</b></td> </tr> <tr> <td>0x1</td> <td>EN1 input</td> </tr> <tr> <td>0x2</td> <td>EN2 input</td> </tr> <tr> <td>0x3</td> <td>EN1 &amp; EN2 input</td> </tr> <tr> <td>0x4</td> <td>DVC1 input</td> </tr> <tr> <td>0x5</td> <td>DVC2 input</td> </tr> <tr> <td>0x6</td> <td>DVC1 &amp; DVC2 input</td> </tr> </tbody> </table>	Value	Description	0x0	<b>GPIO disable</b>	0x1	EN1 input	0x2	EN2 input	0x3	EN1 & EN2 input	0x4	DVC1 input	0x5	DVC2 input	0x6	DVC1 & DVC2 input
Value	Description																	
0x0	<b>GPIO disable</b>																	
0x1	EN1 input																	
0x2	EN2 input																	
0x3	EN1 & EN2 input																	
0x4	DVC1 input																	
0x5	DVC2 input																	
0x6	DVC1 & DVC2 input																	

---



---

**High-Performance Dual-Channel DC-DC Converter**

Bit	Symbol	Description						
		0x7 RELOAD input 0x8 PG1 output 0x9 PG2 output 0xA PG1 & PG2 output 0xB SG output 0xC nIRQ output 0xD Reserved 0xE Low output 0xF High output						
[0]	GPIO1_OBUF	GPIO output buffer select. Initial value is determined by CONF pin setting at the start-up in CONF_EN = 1  <table> <thead> <tr> <th>Value</th> <th>Description</th> </tr> </thead> <tbody> <tr> <td>0x0</td> <td>open-drain output</td> </tr> <tr> <td>0x1</td> <td>push-pull output</td> </tr> </tbody> </table>	Value	Description	0x0	open-drain output	0x1	push-pull output
Value	Description							
0x0	open-drain output							
0x1	push-pull output							

## High-Performance Dual-Channel DC-DC Converter

**Table 38: SYS\_GPIO1\_1 (0x0013)**

Bit	Symbol	Description										
[7]	GPIO1_DEB_FALL	GPI debouce falling edge. Initial value is determined by CONF pin setting at the start-up in CONF_EN = 1										
[6]	GPIO1_DEB_RISE	GPI debounce rising edge. Initial value is determined by CONF pin setting at the start-up in CONF_EN = 1										
[5:4]	GPIO1_DEB	<p>GPI debounce time. Initial value is determined by CONF pin setting at the start-up in CONF_EN = 1</p> <table border="1"> <thead> <tr> <th>Value</th> <th>Description</th> </tr> </thead> <tbody> <tr> <td>0x0</td> <td>100 µs debouce</td> </tr> <tr> <td>0x1</td> <td>1 ms debouce</td> </tr> <tr> <td>0x2</td> <td>10 ms debouce</td> </tr> <tr> <td>0x3</td> <td>100 ms debouce</td> </tr> </tbody> </table>	Value	Description	0x0	100 µs debouce	0x1	1 ms debouce	0x2	10 ms debouce	0x3	100 ms debouce
Value	Description											
0x0	100 µs debouce											
0x1	1 ms debouce											
0x2	10 ms debouce											
0x3	100 ms debouce											
[3]	GPIO1_PUPD	<p>GPIO pull-up/pull-down enable. Initial value is determined by CONF pin setting at the start-up in CONF_EN = 1</p> <table border="1"> <thead> <tr> <th>Value</th> <th>Description</th> </tr> </thead> <tbody> <tr> <td>0x0</td> <td><b>GPI: pull-down disabled, GPO: pull-up to AVDD disabled</b></td> </tr> <tr> <td>0x1</td> <td>GPI: pull-down enabled, GPO: pull-up to AVDD enabled</td> </tr> </tbody> </table>	Value	Description	0x0	<b>GPI: pull-down disabled, GPO: pull-up to AVDD disabled</b>	0x1	GPI: pull-down enabled, GPO: pull-up to AVDD enabled				
Value	Description											
0x0	<b>GPI: pull-down disabled, GPO: pull-up to AVDD disabled</b>											
0x1	GPI: pull-down enabled, GPO: pull-up to AVDD enabled											
[2]	GPIO1_POL	<p>GPIO polarity. Initial value is determined by CONF pin setting at the start-up in CONF_EN = 1</p> <table border="1"> <thead> <tr> <th>Value</th> <th>Description</th> </tr> </thead> <tbody> <tr> <td>0x0</td> <td><b>GPIO is active-high</b></td> </tr> <tr> <td>0x1</td> <td>GPIO is active-low</td> </tr> </tbody> </table>	Value	Description	0x0	<b>GPIO is active-high</b>	0x1	GPIO is active-low				
Value	Description											
0x0	<b>GPIO is active-high</b>											
0x1	GPIO is active-low											
[1:0]	GPIO1_TRIG	<p>GPI trigger type. Initial value is determined by CONF pin setting at the start-up in CONF_EN = 1</p> <table border="1"> <thead> <tr> <th>Value</th> <th>Description</th> </tr> </thead> <tbody> <tr> <td>0x0</td> <td><b>Dual-edge triggered</b></td> </tr> <tr> <td>0x1</td> <td>Pos-edge triggered</td> </tr> <tr> <td>0x2</td> <td>Neg-edge triggered</td> </tr> <tr> <td>0x3</td> <td>Reserved (No trigger)</td> </tr> </tbody> </table>	Value	Description	0x0	<b>Dual-edge triggered</b>	0x1	Pos-edge triggered	0x2	Neg-edge triggered	0x3	Reserved (No trigger)
Value	Description											
0x0	<b>Dual-edge triggered</b>											
0x1	Pos-edge triggered											
0x2	Neg-edge triggered											
0x3	Reserved (No trigger)											

**Table 39: SYS\_GPIO2\_0 (0x0014)**

Bit	Symbol	Description										
[4:1]	GPIO2_MODE	<p>GPIO function mode select. Initial value is determined by CONF pin setting at the start-up in CONF_EN = 1</p> <table border="1"> <thead> <tr> <th>Value</th> <th>Description</th> </tr> </thead> <tbody> <tr> <td>0x0</td> <td><b>GPIO disable</b></td> </tr> <tr> <td>0x1</td> <td>EN1 input</td> </tr> <tr> <td>0x2</td> <td>EN2 input</td> </tr> <tr> <td>0x3</td> <td>EN1 &amp; EN2 input</td> </tr> </tbody> </table>	Value	Description	0x0	<b>GPIO disable</b>	0x1	EN1 input	0x2	EN2 input	0x3	EN1 & EN2 input
Value	Description											
0x0	<b>GPIO disable</b>											
0x1	EN1 input											
0x2	EN2 input											
0x3	EN1 & EN2 input											

---



---

**High-Performance Dual-Channel DC-DC Converter**

Bit	Symbol	Description						
		0x4 DVC1 input 0x5 DVC2 input 0x6 DVC1 & DVC2 input 0x7 RELOAD input 0x8 PG1 output 0x9 PG2 output 0xA PG1 & PG2 output 0xB SG output 0xC nIRQ output 0xD Reserved 0xE Low output 0xF High output						
[0]	GPIO2_OBUF	GPIO output buffer select. Initial value is determined by CONF pin setting at the start-up in CONF_EN = 1  <table border="0"> <thead> <tr> <th>Value</th> <th>Description</th> </tr> </thead> <tbody> <tr> <td>0x0</td> <td>open-drain output</td> </tr> <tr> <td>0x1</td> <td>push-pull output</td> </tr> </tbody> </table>	Value	Description	0x0	open-drain output	0x1	push-pull output
Value	Description							
0x0	open-drain output							
0x1	push-pull output							

## High-Performance Dual-Channel DC-DC Converter

**Table 40: SYS\_GPIO2\_1 (0x0015)**

Bit	Symbol	Description										
[7]	GPIO2_DEB_FALL	GPI debouce falling edge. Initial value is determined by CONF pin setting at the start-up in CONF_EN = 1										
[6]	GPIO2_DEB_RISE	GPI debounce rising edge. Initial value is determined by CONF pin setting at the start-up in CONF_EN = 1										
[5:4]	GPIO2_DEB	<p>GPI debounce time. Initial value is determined by CONF pin setting at the start-up in CONF_EN = 1</p> <table border="1"> <thead> <tr> <th>Value</th> <th>Description</th> </tr> </thead> <tbody> <tr> <td>0x0</td> <td>100 <math>\mu</math>s debouce</td> </tr> <tr> <td>0x1</td> <td>1 ms debouce</td> </tr> <tr> <td>0x2</td> <td>10 ms debounce</td> </tr> <tr> <td>0x3</td> <td>100 ms debounce</td> </tr> </tbody> </table>	Value	Description	0x0	100 $\mu$ s debouce	0x1	1 ms debouce	0x2	10 ms debounce	0x3	100 ms debounce
Value	Description											
0x0	100 $\mu$ s debouce											
0x1	1 ms debouce											
0x2	10 ms debounce											
0x3	100 ms debounce											
[3]	GPIO2_PUPD	<p>GPIO pull-up/pull-down enable. Initial value is determined by CONF pin setting at the start-up in CONF_EN = 1</p> <table border="1"> <thead> <tr> <th>Value</th> <th>Description</th> </tr> </thead> <tbody> <tr> <td>0x0</td> <td><b>GPI: pull-down disabled, GPO: pull-up to AVDD disabled</b></td> </tr> <tr> <td>0x1</td> <td>GPI: pull-down enabled, GPO: pull-up to AVDD enabled</td> </tr> </tbody> </table>	Value	Description	0x0	<b>GPI: pull-down disabled, GPO: pull-up to AVDD disabled</b>	0x1	GPI: pull-down enabled, GPO: pull-up to AVDD enabled				
Value	Description											
0x0	<b>GPI: pull-down disabled, GPO: pull-up to AVDD disabled</b>											
0x1	GPI: pull-down enabled, GPO: pull-up to AVDD enabled											
[2]	GPIO2_POL	<p>GPIO polarity. Initial value is determined by CONF pin setting at the start-up in CONF_EN = 1</p> <table border="1"> <thead> <tr> <th>Value</th> <th>Description</th> </tr> </thead> <tbody> <tr> <td>0x0</td> <td><b>GPIO is active-high</b></td> </tr> <tr> <td>0x1</td> <td>GPIO is active-low</td> </tr> </tbody> </table>	Value	Description	0x0	<b>GPIO is active-high</b>	0x1	GPIO is active-low				
Value	Description											
0x0	<b>GPIO is active-high</b>											
0x1	GPIO is active-low											
[1:0]	GPIO2_TRIG	<p>GPI trigger type. Initial value is determined by CONF pin setting at the start-up in CONF_EN = 1</p> <table border="1"> <thead> <tr> <th>Value</th> <th>Description</th> </tr> </thead> <tbody> <tr> <td>0x0</td> <td><b>Dual-edge triggered</b></td> </tr> <tr> <td>0x1</td> <td>Pos-edge triggered</td> </tr> <tr> <td>0x2</td> <td>Neg-edge triggered</td> </tr> <tr> <td>0x3</td> <td>Reserved (No trigger)</td> </tr> </tbody> </table>	Value	Description	0x0	<b>Dual-edge triggered</b>	0x1	Pos-edge triggered	0x2	Neg-edge triggered	0x3	Reserved (No trigger)
Value	Description											
0x0	<b>Dual-edge triggered</b>											
0x1	Pos-edge triggered											
0x2	Neg-edge triggered											
0x3	Reserved (No trigger)											

## High-Performance Dual-Channel DC-DC Converter

### 5.1.2 Buck1

Table 41: BUCK\_BUCK1\_0 (0x0020)

Bit	Symbol	Description																		
[6:4]	CH1_SR_DVC_DWN	Voltage slew-rate for DVC ramp-down <table border="1"> <thead> <tr> <th>Value</th> <th>Description</th> </tr> </thead> <tbody> <tr> <td>0x0</td> <td>10 mV/8 <math>\mu</math>s</td> </tr> <tr> <td>0x1</td> <td>10 mV/4 <math>\mu</math>s</td> </tr> <tr> <td>0x2</td> <td>10 mV/2 <math>\mu</math>s</td> </tr> <tr> <td>0x3</td> <td>10 mV/<math>\mu</math>s</td> </tr> <tr> <td><b>0x4</b></td> <td><b>20 mV/<math>\mu</math>s</b></td> </tr> <tr> <td>0x5</td> <td>Reserved</td> </tr> <tr> <td>0x6</td> <td>Reserved</td> </tr> <tr> <td>0x7</td> <td>Reserved</td> </tr> </tbody> </table>	Value	Description	0x0	10 mV/8 $\mu$ s	0x1	10 mV/4 $\mu$ s	0x2	10 mV/2 $\mu$ s	0x3	10 mV/ $\mu$ s	<b>0x4</b>	<b>20 mV/<math>\mu</math>s</b>	0x5	Reserved	0x6	Reserved	0x7	Reserved
Value	Description																			
0x0	10 mV/8 $\mu$ s																			
0x1	10 mV/4 $\mu$ s																			
0x2	10 mV/2 $\mu$ s																			
0x3	10 mV/ $\mu$ s																			
<b>0x4</b>	<b>20 mV/<math>\mu</math>s</b>																			
0x5	Reserved																			
0x6	Reserved																			
0x7	Reserved																			
[3:1]	CH1_SR_DVC_UP	Voltage slew-rate for DVC ramp-up <table border="1"> <thead> <tr> <th>Value</th> <th>Description</th> </tr> </thead> <tbody> <tr> <td>0x0</td> <td>10 mV/8 <math>\mu</math>s</td> </tr> <tr> <td>0x1</td> <td>10 mV/4 <math>\mu</math>s</td> </tr> <tr> <td>0x2</td> <td>10 mV/2 <math>\mu</math>s</td> </tr> <tr> <td>0x3</td> <td>10 mV/<math>\mu</math>s</td> </tr> <tr> <td><b>0x4</b></td> <td><b>20 mV/<math>\mu</math>s</b></td> </tr> <tr> <td>0x5</td> <td>40 mV/<math>\mu</math>s</td> </tr> <tr> <td>0x6</td> <td>Reserved</td> </tr> <tr> <td>0x7</td> <td>Reserved</td> </tr> </tbody> </table>	Value	Description	0x0	10 mV/8 $\mu$ s	0x1	10 mV/4 $\mu$ s	0x2	10 mV/2 $\mu$ s	0x3	10 mV/ $\mu$ s	<b>0x4</b>	<b>20 mV/<math>\mu</math>s</b>	0x5	40 mV/ $\mu$ s	0x6	Reserved	0x7	Reserved
Value	Description																			
0x0	10 mV/8 $\mu$ s																			
0x1	10 mV/4 $\mu$ s																			
0x2	10 mV/2 $\mu$ s																			
0x3	10 mV/ $\mu$ s																			
<b>0x4</b>	<b>20 mV/<math>\mu</math>s</b>																			
0x5	40 mV/ $\mu$ s																			
0x6	Reserved																			
0x7	Reserved																			
[0]	CH1_EN	Channel enable. Initial value is determined by CONF pin setting at the start-up in CONF_EN = 1																		

## High-Performance Dual-Channel DC-DC Converter

**Table 42: BUCK\_BUCK1\_1 (0x0021)**

Bit	Symbol	Description																		
[6:4]	CH1_SR_SHDN	Voltage slew-rate during shut-down <table border="1"> <thead> <tr> <th>Value</th> <th>Description</th> </tr> </thead> <tbody> <tr> <td>0x0</td> <td>10 mV/8 <math>\mu</math>s</td> </tr> <tr> <td>0x1</td> <td>10 mV/4 <math>\mu</math>s</td> </tr> <tr> <td>0x2</td> <td>10 mV/2 <math>\mu</math>s</td> </tr> <tr> <td>0x3</td> <td>10 mV/<math>\mu</math>s</td> </tr> <tr> <td><b>0x4</b></td> <td><b>20 mV/<math>\mu</math>s</b></td> </tr> <tr> <td>0x5</td> <td>Reserved</td> </tr> <tr> <td>0x6</td> <td>Reserved</td> </tr> <tr> <td>0x7</td> <td>Immediate power-down</td> </tr> </tbody> </table>	Value	Description	0x0	10 mV/8 $\mu$ s	0x1	10 mV/4 $\mu$ s	0x2	10 mV/2 $\mu$ s	0x3	10 mV/ $\mu$ s	<b>0x4</b>	<b>20 mV/<math>\mu</math>s</b>	0x5	Reserved	0x6	Reserved	0x7	Immediate power-down
Value	Description																			
0x0	10 mV/8 $\mu$ s																			
0x1	10 mV/4 $\mu$ s																			
0x2	10 mV/2 $\mu$ s																			
0x3	10 mV/ $\mu$ s																			
<b>0x4</b>	<b>20 mV/<math>\mu</math>s</b>																			
0x5	Reserved																			
0x6	Reserved																			
0x7	Immediate power-down																			
[3:1]	CH1_SR_STARTUP	Voltage slew-rate during startup <table border="1"> <thead> <tr> <th>Value</th> <th>Description</th> </tr> </thead> <tbody> <tr> <td>0x0</td> <td>10 mV/8 <math>\mu</math>s</td> </tr> <tr> <td>0x1</td> <td>10 mV/4 <math>\mu</math>s</td> </tr> <tr> <td>0x2</td> <td>10 mV/2 <math>\mu</math>s</td> </tr> <tr> <td>0x3</td> <td>10 mV/<math>\mu</math>s</td> </tr> <tr> <td><b>0x4</b></td> <td><b>20 mV/<math>\mu</math>s</b></td> </tr> <tr> <td>0x5</td> <td>40 mV/<math>\mu</math>s</td> </tr> <tr> <td>0x6</td> <td>Reserved</td> </tr> <tr> <td>0x7</td> <td>Reserved</td> </tr> </tbody> </table>	Value	Description	0x0	10 mV/8 $\mu$ s	0x1	10 mV/4 $\mu$ s	0x2	10 mV/2 $\mu$ s	0x3	10 mV/ $\mu$ s	<b>0x4</b>	<b>20 mV/<math>\mu</math>s</b>	0x5	40 mV/ $\mu$ s	0x6	Reserved	0x7	Reserved
Value	Description																			
0x0	10 mV/8 $\mu$ s																			
0x1	10 mV/4 $\mu$ s																			
0x2	10 mV/2 $\mu$ s																			
0x3	10 mV/ $\mu$ s																			
<b>0x4</b>	<b>20 mV/<math>\mu</math>s</b>																			
0x5	40 mV/ $\mu$ s																			
0x6	Reserved																			
0x7	Reserved																			
[0]	CH1_PD_DIS	Pull-down while buck is disabled. 0: enable, 1: disable																		

**Table 43: BUCK\_BUCK1\_2 (0x0022)**

Bit	Symbol	Description																						
[3:0]	CH1_ILIM	Select OCP threshold (A) <table border="1"> <thead> <tr> <th>Value</th> <th>Description</th> </tr> </thead> <tbody> <tr> <td>0x0</td> <td>Reserved</td> </tr> <tr> <td>0x1</td> <td>3.5</td> </tr> <tr> <td>0x2</td> <td>4.0</td> </tr> <tr> <td>0x3</td> <td>4.5</td> </tr> <tr> <td>0x4</td> <td>5.0</td> </tr> <tr> <td><b>0x5</b></td> <td><b>5.5</b></td> </tr> <tr> <td>0x6</td> <td>6.0</td> </tr> <tr> <td>0x7</td> <td>6.5</td> </tr> <tr> <td>0x8</td> <td>7.0</td> </tr> <tr> <td>0x9</td> <td>7.5</td> </tr> </tbody> </table>	Value	Description	0x0	Reserved	0x1	3.5	0x2	4.0	0x3	4.5	0x4	5.0	<b>0x5</b>	<b>5.5</b>	0x6	6.0	0x7	6.5	0x8	7.0	0x9	7.5
Value	Description																							
0x0	Reserved																							
0x1	3.5																							
0x2	4.0																							
0x3	4.5																							
0x4	5.0																							
<b>0x5</b>	<b>5.5</b>																							
0x6	6.0																							
0x7	6.5																							
0x8	7.0																							
0x9	7.5																							

## High-Performance Dual-Channel DC-DC Converter

Bit	Symbol	Description
		0xA 8.0
		0xB 8.5
		0xC 9.0
		0xD 9.5
		0xE 10.0
		0xF Disable

**Table 44: BUCK\_BUCK1\_3 (0x0023)**

Bit	Symbol	Description																		
[7:0]	CH1_VMAX	<p>VOUT max setting (V): From 0.30 V (0x1E) to 1.90 V (0xBE) in 10 mV steps. This is a read-only register.</p> <table border="1"> <thead> <tr> <th>Value</th> <th>Description</th> </tr> </thead> <tbody> <tr> <td>0x1E</td> <td>0.3</td> </tr> <tr> <td>0x1F</td> <td>0.31</td> </tr> <tr> <td>0x20</td> <td>0.32</td> </tr> <tr> <td colspan="2">Continuing through...</td> </tr> <tr> <td>0x99</td> <td>1.53</td> </tr> <tr> <td colspan="2">To...</td> </tr> <tr> <td>0xBD</td> <td>1.89</td> </tr> <tr> <td><b>0xBE</b></td> <td><b>1.9</b></td> </tr> </tbody> </table>	Value	Description	0x1E	0.3	0x1F	0.31	0x20	0.32	Continuing through...		0x99	1.53	To...		0xBD	1.89	<b>0xBE</b>	<b>1.9</b>
Value	Description																			
0x1E	0.3																			
0x1F	0.31																			
0x20	0.32																			
Continuing through...																				
0x99	1.53																			
To...																				
0xBD	1.89																			
<b>0xBE</b>	<b>1.9</b>																			

**Table 45: BUCK\_BUCK1\_4 (0x0024)**

Bit	Symbol	Description										
[4]	CH1_VSEL	Output voltage and operation selection: 0: A, 1: B. Initial value is determined by CONF pin setting at the start-up in CONF_EN = 1										
[3:2]	CH1_B_MODE	<p>Operation mode selection. Initial value is determined by CONF pin setting at the start-up in CONF_EN = 1</p> <table border="1"> <thead> <tr> <th>Value</th> <th>Description</th> </tr> </thead> <tbody> <tr> <td>0x0</td> <td>Force PFM operation</td> </tr> <tr> <td>0x1</td> <td>Force PWM operation</td> </tr> <tr> <td>0x2</td> <td>Force PWM operation</td> </tr> <tr> <td><b>0x3</b></td> <td><b>Auto mode</b></td> </tr> </tbody> </table>	Value	Description	0x0	Force PFM operation	0x1	Force PWM operation	0x2	Force PWM operation	<b>0x3</b>	<b>Auto mode</b>
Value	Description											
0x0	Force PFM operation											
0x1	Force PWM operation											
0x2	Force PWM operation											
<b>0x3</b>	<b>Auto mode</b>											
[1:0]	CH1_A_MODE	<p>Operation mode selection. Initial value is determined by CONF pin setting at the start-up in CONF_EN = 1</p> <table border="1"> <thead> <tr> <th>Value</th> <th>Description</th> </tr> </thead> <tbody> <tr> <td>0x0</td> <td>Force PFM operation</td> </tr> <tr> <td>0x1</td> <td>Force PWM operation</td> </tr> </tbody> </table>	Value	Description	0x0	Force PFM operation	0x1	Force PWM operation				
Value	Description											
0x0	Force PFM operation											
0x1	Force PWM operation											



## High-Performance Dual-Channel DC-DC Converter

Bit	Symbol	Description
		0x2 Force PWM operation
		0x3 Auto mode

**Table 46: BUCK\_BUCK1\_5 (0x0025)**

Bit	Symbol	Description																				
[7:0]	CH1_A_VOUT	<p>Output voltage setting A: Initial value is determined by CONF pin setting at the start-up in CONF_EN = 1 From 0.30 V (0x1E) to 1.90 V (0xBE) in steps of 10 mV (default 1.0 V) Write-protected when value is written below 0.30 V or above 1.90 V</p> <table border="1"> <thead> <tr> <th>Value</th> <th>Description</th> </tr> </thead> <tbody> <tr> <td>0x1E</td> <td>0.3</td> </tr> <tr> <td>0x1F</td> <td>0.31</td> </tr> <tr> <td>0x20</td> <td>0.32</td> </tr> <tr> <td colspan="2">Continuing through...</td> </tr> <tr> <td><b>0x64</b></td> <td><b>1</b></td> </tr> <tr> <td colspan="2">To...</td> </tr> <tr> <td>0xBC</td> <td>1.88</td> </tr> <tr> <td>0xBD</td> <td>1.89</td> </tr> <tr> <td>0xBE</td> <td>1.9</td> </tr> </tbody> </table>	Value	Description	0x1E	0.3	0x1F	0.31	0x20	0.32	Continuing through...		<b>0x64</b>	<b>1</b>	To...		0xBC	1.88	0xBD	1.89	0xBE	1.9
Value	Description																					
0x1E	0.3																					
0x1F	0.31																					
0x20	0.32																					
Continuing through...																						
<b>0x64</b>	<b>1</b>																					
To...																						
0xBC	1.88																					
0xBD	1.89																					
0xBE	1.9																					

**Table 47: BUCK\_BUCK1\_6 (0x0026)**

Bit	Symbol	Description																				
[7:0]	CH1_B_VOUT	<p>Output voltage setting B: Initial value is determined by CONF pin setting at the start-up in CONF_EN = 1 From 0.30 V (0x1E) to 1.90 V (0xBE) in steps of 10 mV (default 1.0 V) Write-protected when value is written below 0.30 V or above 1.90 V</p> <table border="1"> <thead> <tr> <th>Value</th> <th>Description</th> </tr> </thead> <tbody> <tr> <td>0x1E</td> <td>0.3</td> </tr> <tr> <td>0x1F</td> <td>0.31</td> </tr> <tr> <td>0x20</td> <td>0.32</td> </tr> <tr> <td colspan="2">Continuing through...</td> </tr> <tr> <td><b>0x64</b></td> <td><b>1</b></td> </tr> <tr> <td colspan="2">To...</td> </tr> <tr> <td>0xBC</td> <td>1.88</td> </tr> <tr> <td>0xBD</td> <td>1.89</td> </tr> <tr> <td>0xBE</td> <td>1.9</td> </tr> </tbody> </table>	Value	Description	0x1E	0.3	0x1F	0.31	0x20	0.32	Continuing through...		<b>0x64</b>	<b>1</b>	To...		0xBC	1.88	0xBD	1.89	0xBE	1.9
Value	Description																					
0x1E	0.3																					
0x1F	0.31																					
0x20	0.32																					
Continuing through...																						
<b>0x64</b>	<b>1</b>																					
To...																						
0xBC	1.88																					
0xBD	1.89																					
0xBE	1.9																					

---



---

High-Performance Dual-Channel DC-DC Converter

Table 48: BUCK\_BUCK1\_7 (0x0027)

Bit	Symbol	Description										
[3]	Reserved	Reserved										
[2]	Reserved	Reserved										
[1:0]	CH1_RIPPLE_CANCEL	<p>Ripple cancel control (can be used to improve output overshoot at heavy to light load transient).</p> <table> <thead> <tr> <th>Value</th> <th>Description</th> </tr> </thead> <tbody> <tr> <td>0x0</td> <td>No ripple cancel</td> </tr> <tr> <td>0x1</td> <td>Small ripple cancel</td> </tr> <tr> <td>0x2</td> <td>Mid ripple cancel</td> </tr> <tr> <td>0x3</td> <td>Large ripple cancel</td> </tr> </tbody> </table>	Value	Description	0x0	No ripple cancel	0x1	Small ripple cancel	0x2	Mid ripple cancel	0x3	Large ripple cancel
Value	Description											
0x0	No ripple cancel											
0x1	Small ripple cancel											
0x2	Mid ripple cancel											
0x3	Large ripple cancel											

## High-Performance Dual-Channel DC-DC Converter

### 5.1.3 Buck2

Table 49: BUCK\_BUCK2\_0 (0x0028)

Bit	Symbol	Description																		
[6:4]	CH2_SR_DVC_DWN	Voltage slew-rate for DVC ramp-down <table border="1"> <thead> <tr> <th>Value</th> <th>Description</th> </tr> </thead> <tbody> <tr> <td>0x0</td> <td>10 mV/8 <math>\mu</math>s</td> </tr> <tr> <td>0x1</td> <td>10 mV/4 <math>\mu</math>s</td> </tr> <tr> <td>0x2</td> <td>10 mV/2 <math>\mu</math>s</td> </tr> <tr> <td>0x3</td> <td>10 mV/<math>\mu</math>s</td> </tr> <tr> <td><b>0x4</b></td> <td><b>20 mV/<math>\mu</math>s</b></td> </tr> <tr> <td>0x5</td> <td>Reserved</td> </tr> <tr> <td>0x6</td> <td>Reserved</td> </tr> <tr> <td>0x7</td> <td>Reserved</td> </tr> </tbody> </table>	Value	Description	0x0	10 mV/8 $\mu$ s	0x1	10 mV/4 $\mu$ s	0x2	10 mV/2 $\mu$ s	0x3	10 mV/ $\mu$ s	<b>0x4</b>	<b>20 mV/<math>\mu</math>s</b>	0x5	Reserved	0x6	Reserved	0x7	Reserved
Value	Description																			
0x0	10 mV/8 $\mu$ s																			
0x1	10 mV/4 $\mu$ s																			
0x2	10 mV/2 $\mu$ s																			
0x3	10 mV/ $\mu$ s																			
<b>0x4</b>	<b>20 mV/<math>\mu</math>s</b>																			
0x5	Reserved																			
0x6	Reserved																			
0x7	Reserved																			
[3:1]	CH2_SR_DVC_UP	Voltage slew-rate for DVC ramp-up <table border="1"> <thead> <tr> <th>Value</th> <th>Description</th> </tr> </thead> <tbody> <tr> <td>0x0</td> <td>10 mV/8 <math>\mu</math>s</td> </tr> <tr> <td>0x1</td> <td>10 mV/4 <math>\mu</math>s</td> </tr> <tr> <td>0x2</td> <td>10 mV/2 <math>\mu</math>s</td> </tr> <tr> <td>0x3</td> <td>10 mV/<math>\mu</math>s</td> </tr> <tr> <td><b>0x4</b></td> <td><b>20 mV/<math>\mu</math>s</b></td> </tr> <tr> <td>0x5</td> <td>40 mV/<math>\mu</math>s</td> </tr> <tr> <td>0x6</td> <td>Reserved</td> </tr> <tr> <td>0x7</td> <td>Reserved</td> </tr> </tbody> </table>	Value	Description	0x0	10 mV/8 $\mu$ s	0x1	10 mV/4 $\mu$ s	0x2	10 mV/2 $\mu$ s	0x3	10 mV/ $\mu$ s	<b>0x4</b>	<b>20 mV/<math>\mu</math>s</b>	0x5	40 mV/ $\mu$ s	0x6	Reserved	0x7	Reserved
Value	Description																			
0x0	10 mV/8 $\mu$ s																			
0x1	10 mV/4 $\mu$ s																			
0x2	10 mV/2 $\mu$ s																			
0x3	10 mV/ $\mu$ s																			
<b>0x4</b>	<b>20 mV/<math>\mu</math>s</b>																			
0x5	40 mV/ $\mu$ s																			
0x6	Reserved																			
0x7	Reserved																			
[0]	CH2_EN	Channel enable. Initial value is determined by CONF pin setting at the start-up in CONF_EN = 1																		

## High-Performance Dual-Channel DC-DC Converter

**Table 50: BUCK\_BUCK2\_1 (0x0029)**

Bit	Symbol	Description																		
[6:4]	CH2_SR_SHDN	Voltage slew-rate during power-down <table border="1"> <thead> <tr> <th>Value</th> <th>Description</th> </tr> </thead> <tbody> <tr> <td>0x0</td> <td>10 mV/8 <math>\mu</math>s</td> </tr> <tr> <td>0x1</td> <td>10 mV/4 <math>\mu</math>s</td> </tr> <tr> <td>0x2</td> <td>10 mV/2 <math>\mu</math>s</td> </tr> <tr> <td>0x3</td> <td>10 mV/<math>\mu</math>s</td> </tr> <tr> <td><b>0x4</b></td> <td><b>20 mV/<math>\mu</math>s</b></td> </tr> <tr> <td>0x5</td> <td>Reserved</td> </tr> <tr> <td>0x6</td> <td>Reserved</td> </tr> <tr> <td>0x7</td> <td>Immediate power-down</td> </tr> </tbody> </table>	Value	Description	0x0	10 mV/8 $\mu$ s	0x1	10 mV/4 $\mu$ s	0x2	10 mV/2 $\mu$ s	0x3	10 mV/ $\mu$ s	<b>0x4</b>	<b>20 mV/<math>\mu</math>s</b>	0x5	Reserved	0x6	Reserved	0x7	Immediate power-down
Value	Description																			
0x0	10 mV/8 $\mu$ s																			
0x1	10 mV/4 $\mu$ s																			
0x2	10 mV/2 $\mu$ s																			
0x3	10 mV/ $\mu$ s																			
<b>0x4</b>	<b>20 mV/<math>\mu</math>s</b>																			
0x5	Reserved																			
0x6	Reserved																			
0x7	Immediate power-down																			
[3:1]	CH2_SR_STARTUP	Voltage slew-rate during startup <table border="1"> <thead> <tr> <th>Value</th> <th>Description</th> </tr> </thead> <tbody> <tr> <td>0x0</td> <td>10 mV/8 <math>\mu</math>s</td> </tr> <tr> <td>0x1</td> <td>10 mV/4 <math>\mu</math>s</td> </tr> <tr> <td>0x2</td> <td>10 mV/2 <math>\mu</math>s</td> </tr> <tr> <td>0x3</td> <td>10 mV/<math>\mu</math>s</td> </tr> <tr> <td><b>0x4</b></td> <td><b>20 mV/<math>\mu</math>s</b></td> </tr> <tr> <td>0x5</td> <td>40 mV/<math>\mu</math>s</td> </tr> <tr> <td>0x6</td> <td>Reserved</td> </tr> <tr> <td>0x7</td> <td>Reserved</td> </tr> </tbody> </table>	Value	Description	0x0	10 mV/8 $\mu$ s	0x1	10 mV/4 $\mu$ s	0x2	10 mV/2 $\mu$ s	0x3	10 mV/ $\mu$ s	<b>0x4</b>	<b>20 mV/<math>\mu</math>s</b>	0x5	40 mV/ $\mu$ s	0x6	Reserved	0x7	Reserved
Value	Description																			
0x0	10 mV/8 $\mu$ s																			
0x1	10 mV/4 $\mu$ s																			
0x2	10 mV/2 $\mu$ s																			
0x3	10 mV/ $\mu$ s																			
<b>0x4</b>	<b>20 mV/<math>\mu</math>s</b>																			
0x5	40 mV/ $\mu$ s																			
0x6	Reserved																			
0x7	Reserved																			
[0]	CH2_PD_DIS	Pull-down while BUCK is disabled. 0: enable, 1: disable																		

**Table 51: BUCK\_BUCK2\_2 (0x002A)**

Bit	Symbol	Description																						
[3:0]	CH2_ILIM	Select OCP threshold <table border="1"> <thead> <tr> <th>Value</th> <th>Description</th> </tr> </thead> <tbody> <tr> <td>0x0</td> <td>Reserved</td> </tr> <tr> <td>0x1</td> <td>3.5</td> </tr> <tr> <td>0x2</td> <td>4.0</td> </tr> <tr> <td>0x3</td> <td>4.5</td> </tr> <tr> <td>0x4</td> <td>5.0</td> </tr> <tr> <td><b>0x5</b></td> <td><b>5.5</b></td> </tr> <tr> <td>0x6</td> <td>6.0</td> </tr> <tr> <td>0x7</td> <td>6.5</td> </tr> <tr> <td>0x8</td> <td>7.0</td> </tr> <tr> <td>0x9</td> <td>7.5</td> </tr> </tbody> </table>	Value	Description	0x0	Reserved	0x1	3.5	0x2	4.0	0x3	4.5	0x4	5.0	<b>0x5</b>	<b>5.5</b>	0x6	6.0	0x7	6.5	0x8	7.0	0x9	7.5
Value	Description																							
0x0	Reserved																							
0x1	3.5																							
0x2	4.0																							
0x3	4.5																							
0x4	5.0																							
<b>0x5</b>	<b>5.5</b>																							
0x6	6.0																							
0x7	6.5																							
0x8	7.0																							
0x9	7.5																							

## High-Performance Dual-Channel DC-DC Converter

Bit	Symbol	Description
		0xA 8.0
		0xB 8.5
		0xC 9.0
		0xD 9.5
		0xE 10.0
		0xF Disable

**Table 52: BUCK\_BUCK2\_3 (0x002B)**

Bit	Symbol	Description																				
[7:0]	CH2_VMAX	<p>VOUT max setting (V): From 0.30 V (0x1E) to 1.90 V (0xBE) in steps of 10 mV This is a read-only register.</p> <table border="1"> <thead> <tr> <th>Value</th> <th>Description</th> </tr> </thead> <tbody> <tr> <td>0x1E</td> <td>0.3</td> </tr> <tr> <td>0x1F</td> <td>0.31</td> </tr> <tr> <td>0x20</td> <td>0.32</td> </tr> <tr> <td colspan="2">Continuing through...</td> </tr> <tr> <td>0x64</td> <td>1</td> </tr> <tr> <td colspan="2">To...</td> </tr> <tr> <td>0xBC</td> <td>1.88</td> </tr> <tr> <td>0xBD</td> <td>1.89</td> </tr> <tr> <td><b>0xBE</b></td> <td><b>1.9</b></td> </tr> </tbody> </table>	Value	Description	0x1E	0.3	0x1F	0.31	0x20	0.32	Continuing through...		0x64	1	To...		0xBC	1.88	0xBD	1.89	<b>0xBE</b>	<b>1.9</b>
Value	Description																					
0x1E	0.3																					
0x1F	0.31																					
0x20	0.32																					
Continuing through...																						
0x64	1																					
To...																						
0xBC	1.88																					
0xBD	1.89																					
<b>0xBE</b>	<b>1.9</b>																					

**Table 53: BUCK\_BUCK2\_4 (0x002C)**

Bit	Symbol	Description										
[4]	CH2_VSEL	Output voltage and operation selection: 0: A, 1: B. Initial value is determined by CONF pin setting at the start-up in CONF_EN = 1										
[3:2]	CH2_B_MODE	<p>Operation mode selection. Initial value is determined by CONF pin setting at the start-up in CONF_EN = 1</p> <table border="1"> <thead> <tr> <th>Value</th> <th>Description</th> </tr> </thead> <tbody> <tr> <td>0x0</td> <td>Force PFM operation</td> </tr> <tr> <td>0x1</td> <td>Force PWM operation</td> </tr> <tr> <td>0x2</td> <td>Force PWM operation</td> </tr> <tr> <td><b>0x3</b></td> <td><b>Auto mode</b></td> </tr> </tbody> </table>	Value	Description	0x0	Force PFM operation	0x1	Force PWM operation	0x2	Force PWM operation	<b>0x3</b>	<b>Auto mode</b>
Value	Description											
0x0	Force PFM operation											
0x1	Force PWM operation											
0x2	Force PWM operation											
<b>0x3</b>	<b>Auto mode</b>											
[1:0]	CH2_A_MODE	<p>Operation mode selection. Initial value is determined by CONF pin setting at the start-up in CONF_EN = 1</p> <table border="1"> <thead> <tr> <th>Value</th> <th>Description</th> </tr> </thead> <tbody> <tr> <td>0x0</td> <td>Force PFM operation</td> </tr> <tr> <td>0x1</td> <td>Force PWM operation</td> </tr> </tbody> </table>	Value	Description	0x0	Force PFM operation	0x1	Force PWM operation				
Value	Description											
0x0	Force PFM operation											
0x1	Force PWM operation											

## High-Performance Dual-Channel DC-DC Converter

Bit	Symbol	Description
		0x2 Force PWM operation
		0x3 Auto mode

**Table 54: BUCK\_BUCK2\_5 (0x002D)**

Bit	Symbol	Description																				
[7:0]	CH2_A_VOUT	<p>Output voltage setting A: Initial value is determined by CONF pin setting at the start-up in CONF_EN = 1 From 0.30 V (0x1E) to 1.90 V (0xBE) in steps of 10 mV (default 1.0 V) Write-protected when value is written below 0.30 V or above 1.90 V</p> <table border="1"> <thead> <tr> <th>Value</th> <th>Description</th> </tr> </thead> <tbody> <tr> <td>0x1E</td> <td>0.3</td> </tr> <tr> <td>0x1F</td> <td>0.31</td> </tr> <tr> <td>0x20</td> <td>0.32</td> </tr> <tr> <td colspan="2">Continuing through...</td> </tr> <tr> <td><b>0x64</b></td> <td><b>1</b></td> </tr> <tr> <td colspan="2">To...</td> </tr> <tr> <td>0xBC</td> <td>1.88</td> </tr> <tr> <td>0xBD</td> <td>1.89</td> </tr> <tr> <td>0xBE</td> <td>1.9</td> </tr> </tbody> </table>	Value	Description	0x1E	0.3	0x1F	0.31	0x20	0.32	Continuing through...		<b>0x64</b>	<b>1</b>	To...		0xBC	1.88	0xBD	1.89	0xBE	1.9
Value	Description																					
0x1E	0.3																					
0x1F	0.31																					
0x20	0.32																					
Continuing through...																						
<b>0x64</b>	<b>1</b>																					
To...																						
0xBC	1.88																					
0xBD	1.89																					
0xBE	1.9																					

**Table 55: BUCK\_BUCK2\_6 (0x002E)**

Bit	Symbol	Description																				
[7:0]	CH2_B_VOUT	<p>Output voltage setting B: Initial value is determined by CONF pin setting at the start-up in CONF_EN = 1 From 0.30 V (0x1E) to 1.90 V (0xBE) in steps of 10 mV (default 1.0 V) Write-protected when value is written below 0.30 V or above 1.90 V</p> <table border="1"> <thead> <tr> <th>Value</th> <th>Description</th> </tr> </thead> <tbody> <tr> <td>0x1E</td> <td>0.3</td> </tr> <tr> <td>0x1F</td> <td>0.31</td> </tr> <tr> <td>0x20</td> <td>0.32</td> </tr> <tr> <td colspan="2">Continuing through...</td> </tr> <tr> <td><b>0x64</b></td> <td><b>1</b></td> </tr> <tr> <td colspan="2">To...</td> </tr> <tr> <td>0xBC</td> <td>1.88</td> </tr> <tr> <td>0xBD</td> <td>1.89</td> </tr> <tr> <td>0xBE</td> <td>1.9</td> </tr> </tbody> </table>	Value	Description	0x1E	0.3	0x1F	0.31	0x20	0.32	Continuing through...		<b>0x64</b>	<b>1</b>	To...		0xBC	1.88	0xBD	1.89	0xBE	1.9
Value	Description																					
0x1E	0.3																					
0x1F	0.31																					
0x20	0.32																					
Continuing through...																						
<b>0x64</b>	<b>1</b>																					
To...																						
0xBC	1.88																					
0xBD	1.89																					
0xBE	1.9																					

---

**High-Performance Dual-Channel DC-DC Converter**

---

**Table 56: BUCK\_BUCK2\_7 (0x002F)**

Bit	Symbol	Description										
[3]	Reserved	Reserved										
[2]	Reserved	Reserved										
[1:0]	CH2_RIPPLE_CANCEL	<p>Ripple cancel control (can be used to improve output overshoot at heavy to light load transient).</p> <table><thead><tr><th>Value</th><th>Description</th></tr></thead><tbody><tr><td>0x0</td><td>No ripple cancel</td></tr><tr><td>0x1</td><td>Small ripple cancel</td></tr><tr><td>0x2</td><td>Mid ripple cancel</td></tr><tr><td>0x3</td><td>Large ripple cancel</td></tr></tbody></table>	Value	Description	0x0	No ripple cancel	0x1	Small ripple cancel	0x2	Mid ripple cancel	0x3	Large ripple cancel
Value	Description											
0x0	No ripple cancel											
0x1	Small ripple cancel											
0x2	Mid ripple cancel											
0x3	Large ripple cancel											

---

**High-Performance Dual-Channel DC-DC Converter****5.1.4 Serialization****Table 57: OTP\_DEVICE\_ID (0x0048)**

Bit	Symbol	Description
[7:0]	DEV_ID	Device ID

**Table 58: OTP\_VARIANT\_ID (0x0049)**

Bit	Symbol	Description
[7:4]	MRC	Mask Revision Code
[3:0]	VRC	Chip Variant Code

**Table 59: OTP\_CUSTOMER\_ID (0x004A)**

Bit	Symbol	Description
[7:0]	CUST_ID	Customer ID

**Table 60: OTP\_CONFIG\_ID (0x004B)**

Bit	Symbol	Description
[7:0]	CONFIG_REV	OTP Variant



## 6 Package Information

### 6.1 Package Outlines

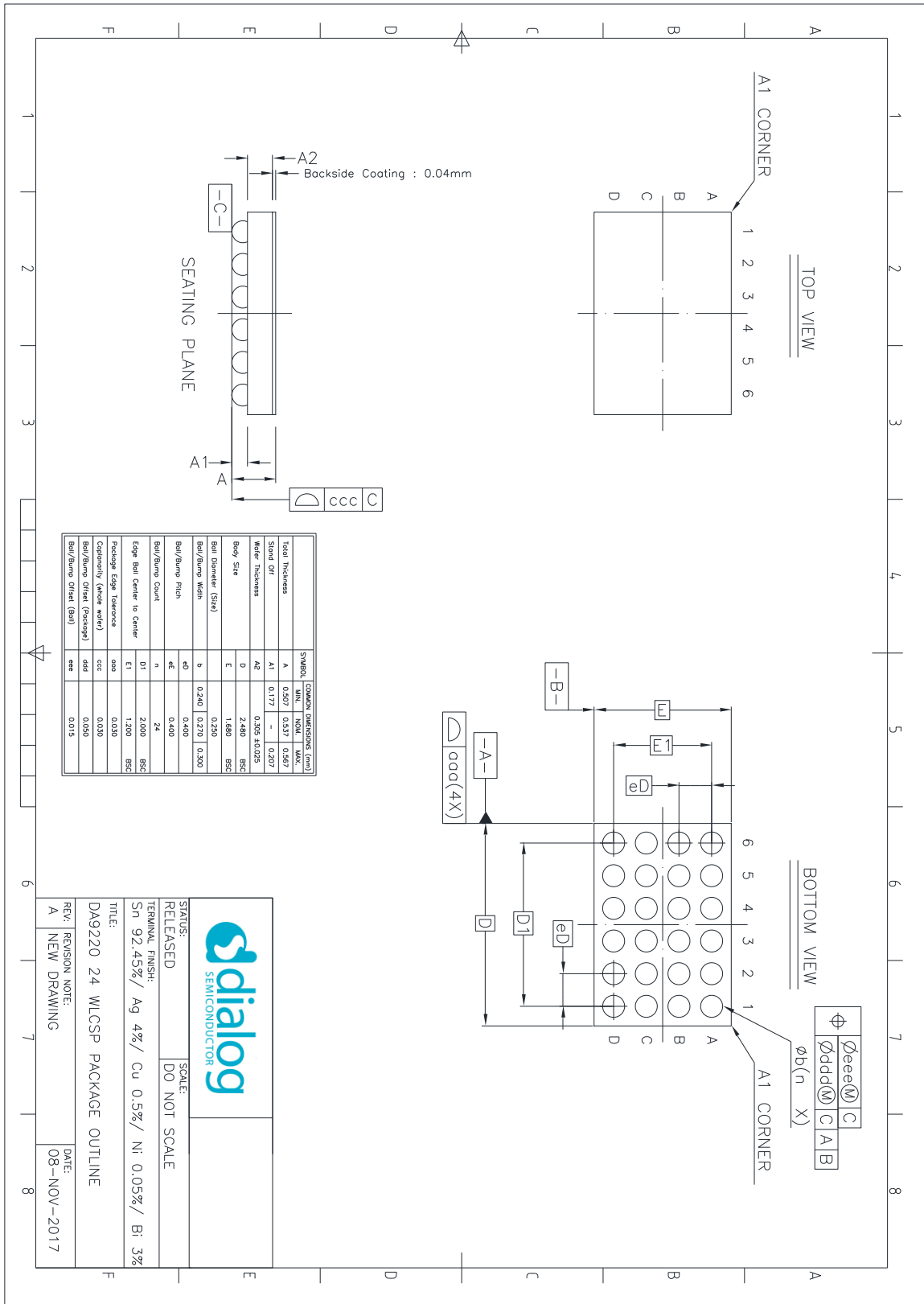


Figure 24: Package Outline Drawing

## High-Performance Dual-Channel DC-DC Converter

### 6.2 Moisture Sensitivity Level

The moisture sensitivity level (MSL) is an indicator for the maximum allowable time period (floor lifetime) in which a moisture sensitive plastic device, once removed from the dry bag, can be exposed to an environment with a specified maximum temperature and a maximum relative humidity before the solder reflow process. The MSL classification is defined in [Table 61](#).

For detailed information on MSL levels refer to the IPC/JEDEC standard J-STD-020, which can be downloaded from <http://www.jedec.org>.

The DA9220 package is qualified for MSL1.

**Table 61: MSL Classification**

MSL Level	Floor Lifetime	Conditions
MSL 1	Unlimited	≤30 °C / 85 % RH

### 6.3 WLCSP Handling

Manual handling of WLCSP packages should be reduced to the absolute minimum. In cases where it is still necessary, a vacuum pick-up tool should be used. In extreme cases plastic tweezers could be used, but metal tweezers are not acceptable, since contact may easily damage the silicon chip.

Removal of a WLCSP package will cause damage to the solder balls. Therefore a removed sample cannot be reused.

WLCSP packages are sensitive to visible and infrared light. Precautions should be taken to properly shield the chip in the final product.

### 6.4 Soldering Information

Refer to the IPC/JEDEC standard J-STD-020 for relevant soldering information. This document can be downloaded from <http://www.jedec.org>.

## High-Performance Dual-Channel DC-DC Converter

### 7 Ordering Information

The ordering number consists of the part number followed by a suffix indicating the packing method. For details and availability, please consult Dialog Semiconductor's [customer support portal](#) or your local sales representative.

**Table 62: Ordering Information**

Part Number	Package	Size (mm)	Shipment Form	Pack Quantity
DA9220-xxV72	24 WLCSP	2.5 x 1.7	T&R	4500
DA9220-xxV76	24 WLCSP	2.5 x 1.7	Waffle Tray	140
DA9220-70V72 Standard OTP Variant $V_{OUT1} = 1.2\text{ V}$ , $V_{OUT2} = 1.8\text{ V}$	24 WLCSP	2.5 x 1.7	T&R	4500
DA9220-70V76 Standard OTP Variant $V_{OUT1} = 1.2\text{ V}$ , $V_{OUT2} = 1.8\text{ V}$	24 WLCSP	2.5 x 1.7	Waffle Tray	140
DA9220-71V72 Standard OTP Variant $V_{OUT1} = 1.0\text{ V}$ , $V_{OUT2} = 1.0\text{ V}$	24 WLCSP	2.5 x 1.7	T&R	4500
DA9220-71V76 Standard OTP Variant $V_{OUT1} = 1.0\text{ V}$ , $V_{OUT2} = 1.0\text{ V}$	24 WLCSP	2.5 x 1.7	Waffle Tray	140

### 8 Application Information

The following recommended components are examples selected from requirements of a typical application.

#### 8.1 Capacitor Selection

Ceramic capacitors are used as bypass capacitors at all VDD and output rails. When selecting a capacitor, especially for types with high capacitance at smallest physical dimension, the DC bias characteristic has to be taken into account.

**Table 63: Recommended Capacitor Types**

Application	Value	Size	Temp. Char.	Tol. (%)	V-Rate	Type
VOUT output bypass	10 $\mu\text{F}$	0402	X5R $\pm 15\%$	$\pm 20$	6.3 V	Murata GRM155R60J106ME15
PVDDx bypass	10 $\mu\text{F}$	0603	X5R $\pm 15\%$	$\pm 20$	25 V	Murata GRM188R61E106MA73
AVDD bypass	1 $\mu\text{F}$	0402	X5R $\pm 15\%$	$\pm 10$	10 V	Murata GRM155R61A105KE15

## High-Performance Dual-Channel DC-DC Converter

### 8.2 Inductor Selection

Inductors should be selected based on the following parameters:

- Rated maximum current  
Usually a coil provides two current limits: ISAT specifies the maximum current at which the inductance drops by 30 % of the nominal value, and IMAX is defined by the maximum power dissipation and is applied to the effective current.
- DC resistance  
Critical for the converter efficiency and should therefore be minimized.

**Table 64: Recommended Inductor Types**

Value (μH)	Size (mm)	I <sub>MAX</sub> (DC) (A)	I <sub>SAT</sub> (A)	Tol. (%)	DC Resistance (mΩ)	Type
0.1	2.0 x 1.6 x 1.0	6.5	9.0	±20	11.5	Cyntec HTEN20161T-R10MDR
0.1	1.6 x 0.8 x 1.0	5.2	6.5	±20	17	Taiyo Yuden MEKK1608TR10M
0.1	1.6 x 0.8 x 0.8	4.1	9.4	±20	19	Taiyo Yuden MCHK1608TR10MJN
0.11	2.0 x 1.25 x 0.8	5.8	6.9	±20	9.1	Taiyo Yuden MCHK2012TR11MKG
0.1	1.0 x 0.5 x 0.55	2.3	2.2	±20	41	Taiyo Yuden MCEE1005TR10MHN
0.1	2.5 x 2.0 x 1.2	12	13	±20	4	TDK TFM252012ALMAR10MT
0.1	1.6 x 0.8 x 0.95	3.8	4.3	±20	15	Tokyo Coil Engineering TFP160810M-R10N
0.11	2.0 x 1.6 x 0.6	3.0	6.0	±20	24	Würth Elektronik WE-PMMI 744 799 771 11

## High-Performance Dual-Channel DC-DC Converter

### Revision History

Revision	Date	Description
2.2	15-Feb-2022	Modification: <ul style="list-style-type: none"> <li>● Rebranded to Renesas</li> </ul>
2.1	17-Sep-2020	Modifications: <ul style="list-style-type: none"> <li>● Section 4.2.3.4: Added new section</li> <li>● Section 8.2: Updated <a href="#">Table 64</a></li> </ul>
2.0	18-Jul-2019	Modifications: <ul style="list-style-type: none"> <li>● Section 3.5: Updated R<sub>PD</sub> condition</li> <li>● Section 3.9: Added typical performance graphs</li> <li>● Section 7: Updated <a href="#">Table 62: Ordering Information</a></li> <li>● Section 8.2: Updated <a href="#">Table 64: Recommended Inductor Types</a></li> </ul>
1.1	01-Mar-2019	Modifications: <ul style="list-style-type: none"> <li>● Section 3.5: Updated Buck t<sub>BUCK_EN</sub> parameter condition and value, R<sub>PD</sub> parameter description</li> <li>● Section 3.7 Updated R<sub>PD</sub> and R<sub>PU</sub> parameter values</li> <li>● Section 8.2: Updated <a href="#">Table 64: Recommended Inductor Types</a></li> <li>● Removed watermark</li> </ul>
1.0	02-Oct-2018	Modifications: <ul style="list-style-type: none"> <li>● Section 3.5: Updated Buck V<sub>OUT_TR_LINE</sub>, V<sub>OUT_TR_LD_1PH</sub>, and I<sub>Q_PFM_1PH</sub> parameter descriptions</li> <li>● Section 5.1.2: Updated BUCK_BUCK1_4 register description</li> <li>● Section 5.1.3: Updated BUCK_BUCK2_4 register description</li> </ul>
0.3	28-Sep-2018	Modifications: <ul style="list-style-type: none"> <li>● Section 3.5: Updated Buck R<sub>ON_P MOS</sub> and R<sub>ON_N MOS</sub> parameter values</li> <li>● Section 0: Updated V<sub>THR_POR</sub> parameter and added V<sub>THR_POR_HYS</sub> parameter</li> </ul>
0.2	10-Jul-2018	Modifications: <ul style="list-style-type: none"> <li>● Section 3.1: Updated V<sub>SYS</sub> and V<sub>PIN</sub> Max values and moved note to Section 3.3.1</li> <li>● Section 3.2: Added V<sub>PIN</sub> and updated note</li> <li>● Section 3.3.1: Updated thermal ratings</li> <li>● Section 3.3.2: Updated power dissipation and added <a href="#">Figure 5: 24WLCSP Power Derating Curve</a></li> <li>● Section <b>Error! Reference source not found.</b>: Updated Buck electrical characteristics</li> <li>● Section 0: Added I<sub>IN_OFF</sub> and I<sub>IN_ON</sub> parameters</li> <li>● Section 4.1: Updated DC-DC buck converter description</li> <li>● Section 4.1.2: Removed mention of phase shedding</li> <li>● Section 4.1.4: Renamed section to Soft Start-Up and Shutdown</li> <li>● Section 4.2.3.2: Added <a href="#">Figure 20: Power Good (PG) and System Good (SG)</a></li> <li>● Section 5.1: Updated Register map</li> <li>● Section 5.1.2: Updated BUCK_BUCK1_2 register description and added BUCK_BUCK1_7</li> <li>● Section 5.1.3: Updated BUCK_BUCK2_2 register description and added BUCK_BUCK2_7</li> <li>● Section 5.1.4: Updated MRC bit (register OTP_VARIANT_ID) reset value</li> </ul>

---

**High-Performance Dual-Channel DC-DC Converter**

---

Revision	Date	Description
		<ul style="list-style-type: none"><li>• Section 7: Added part numbers</li><li>• Section 8.2: Updated <a href="#">Table 64: Recommended Inductor Types</a></li></ul>
0.1	12-Apr-2018	Initial version.

---

## High-Performance Dual-Channel DC-DC Converter

---

### Status Definitions

Revision	Datasheet Status	Product Status	Definition
1.<n>	Target	Development	This datasheet contains the design specifications for product development. Specifications may be changed in any manner without notice.
2.<n>	Preliminary	Qualification	This datasheet contains the specifications and preliminary characterization data for products in pre-production. Specifications may be changed at any time without notice in order to improve the design.
3.<n>	Final	Production	This datasheet contains the final specifications for products in volume production. The specifications may be changed at any time in order to improve the design, manufacturing and supply. Major specification changes are communicated via Customer Product Notifications. Datasheet changes are communicated via <a href="http://www.dialog-semiconductor.com">www.dialog-semiconductor.com</a> .
4.<n>	Obsolete	Archived	This datasheet contains the specifications for discontinued products. The information is provided for reference only.

### RoHS Compliance

Dialog Semiconductor's suppliers certify that its products are in compliance with the requirements of Directive 2011/65/EU of the European Parliament on the restriction of the use of certain hazardous substances in electrical and electronic equipment. RoHS certificates from our suppliers are available on request.



---

## High-Performance Dual-Channel DC-DC Converter

---

### Important Notice and Disclaimer

RENESAS ELECTRONICS CORPORATION AND ITS SUBSIDIARIES ("RENESAS") PROVIDES TECHNICAL SPECIFICATIONS AND RELIABILITY DATA (INCLUDING DATASHEETS), DESIGN RESOURCES (INCLUDING REFERENCE DESIGNS), APPLICATION OR OTHER DESIGN ADVICE, WEB TOOLS, SAFETY INFORMATION, AND OTHER RESOURCES "AS IS" AND WITH ALL FAULTS, AND DISCLAIMS ALL WARRANTIES, EXPRESS OR IMPLIED, INCLUDING, WITHOUT LIMITATION, ANY IMPLIED WARRANTIES OF MERCHANTABILITY, FITNESS FOR A PARTICULAR PURPOSE, OR NON-INFRINGEMENT OF THIRD PARTY INTELLECTUAL PROPERTY RIGHTS.

These resources are intended for developers skilled in the art designing with Renesas products. You are solely responsible for (1) selecting the appropriate products for your application, (2) designing, validating, and testing your application, and (3) ensuring your application meets applicable standards, and any other safety, security, or other requirements. These resources are subject to change without notice. Renesas grants you permission to use these resources only for development of an application that uses Renesas products. Other reproduction or use of these resources is strictly prohibited. No license is granted to any other Renesas intellectual property or to any third party intellectual property. Renesas disclaims responsibility for, and you will fully indemnify Renesas and its representatives against, any claims, damages, costs, losses, or liabilities arising out of your use of these resources. Renesas' products are provided only subject to Renesas' Terms and Conditions of Sale or other applicable terms agreed to in writing. No use of any Renesas resources expands or otherwise alters any applicable warranties or warranty disclaimers for these products.

© 2022 Renesas Electronics Corporation. All rights reserved.

(Rev.1.0 Mar 2020)

## Corporate Headquarters

TOYOSU FORESIA, 3-2-24 Toyosu

Koto-ku, Tokyo 135-0061, Japan

[www.renesas.com](http://www.renesas.com)

### Contact Information

For further information on a product, technology, the most up-to-date version of a document, or your nearest sales office, please visit:

<https://www.renesas.com/contact/>

### Trademarks

Renesas and the Renesas logo are trademarks of Renesas Electronics Corporation. All trademarks and registered trademarks are the property of their respective owners.

## IMPORTANT NOTICE AND DISCLAIMER

RENESAS ELECTRONICS CORPORATION AND ITS SUBSIDIARIES (“RENESAS”) PROVIDES TECHNICAL SPECIFICATIONS AND RELIABILITY DATA (INCLUDING DATASHEETS), DESIGN RESOURCES (INCLUDING REFERENCE DESIGNS), APPLICATION OR OTHER DESIGN ADVICE, WEB TOOLS, SAFETY INFORMATION, AND OTHER RESOURCES “AS IS” AND WITH ALL FAULTS, AND DISCLAIMS ALL WARRANTIES, EXPRESS OR IMPLIED, INCLUDING, WITHOUT LIMITATION, ANY IMPLIED WARRANTIES OF MERCHANTABILITY, FITNESS FOR A PARTICULAR PURPOSE, OR NON-INFRINGEMENT OF THIRD-PARTY INTELLECTUAL PROPERTY RIGHTS.

These resources are intended for developers who are designing with Renesas products. You are solely responsible for (1) selecting the appropriate products for your application, (2) designing, validating, and testing your application, and (3) ensuring your application meets applicable standards, and any other safety, security, or other requirements. These resources are subject to change without notice. Renesas grants you permission to use these resources only to develop an application that uses Renesas products. Other reproduction or use of these resources is strictly prohibited. No license is granted to any other Renesas intellectual property or to any third-party intellectual property. Renesas disclaims responsibility for, and you will fully indemnify Renesas and its representatives against, any claims, damages, costs, losses, or liabilities arising from your use of these resources. Renesas' products are provided only subject to Renesas' Terms and Conditions of Sale or other applicable terms agreed to in writing. No use of any Renesas resources expands or otherwise alters any applicable warranties or warranty disclaimers for these products.

(Disclaimer Rev.1.01)

### Corporate Headquarters

TOYOSU FORESIA, 3-2-24 Toyosu,  
Koto-ku, Tokyo 135-0061, Japan  
[www.renesas.com](http://www.renesas.com)

### Trademarks

Renesas and the Renesas logo are trademarks of Renesas Electronics Corporation. All trademarks and registered trademarks are the property of their respective owners.

### Contact Information

For further information on a product, technology, the most up-to-date version of a document, or your nearest sales office, please visit [www.renesas.com/contact-us/](http://www.renesas.com/contact-us/).