

HA-2620

100MHz, High Input Impedance, Very Wideband, Uncompensated Operational Amplifier

The [HA-2620](#) is a bipolar operational amplifier (op amp) that features very high input impedance (500M Ω) coupled with wideband AC performance. The high resistance of the input stage is complemented by low offset voltage (0.5mV) and low bias and offset current (1nA) to facilitate accurate signal processing. Input offset can be reduced further by means of an external nulling potentiometer. The 100MHz gain bandwidth product (HA-2620 is stable for closed loop gains greater than 5), 35V/ μ s slew rate, and 150kV/V open loop gain enable the HA-2620 to perform high-gain amplification of very fast, wideband signals. These dynamic characteristics, coupled with fast settling times, make this amplifier ideally suited to pulse amplification designs and high frequency (such as video) applications. The frequency response of the amplifier can be tailored to exact design requirements by means of an external bandwidth control capacitor connected from the COMP pin to GND.

In addition to its application in pulse and video amplifier designs, HA-2620 is suited to other high performance designs such as high-gain low distortion audio amplifiers, high-Q and wideband active filters, and high-speed comparators. For more information, see Application Note [AN519](#).

Related Literature

For a full list of related documents, visit our website:

- [HA-2620](#) device pages

Features

- Gain bandwidth product ($A_V \geq 5$): 100MHz
- High input impedance: 500M Ω
- Low input bias current: 1nA
- Low input offset current: 1nA
- Low input offset voltage: 3mV
- High gain: 150kV/V
- Slew rate: 35V/ μ s
- Output short-circuit protection
- Compensation pin for unity gain capability

Applications

- Video and RF amplifiers
- Pulse amplifiers
- Audio amplifiers and filters
- High-Q active filters
- High speed comparators
- Low distortion oscillators

Contents

1. Overview	3
1.1 Typical Applications	3
1.2 Schematic Diagram	4
1.3 Ordering Information	4
1.4 Pin Configuration	4
2. Specifications	5
2.1 Absolute Maximum Ratings	5
2.2 Thermal Information	5
2.3 Recommended Operation Conditions	5
2.4 Electrical Specifications	5
2.5 Test Circuits and Waveforms	6
3. Typical Performance Curves	7
4. Die Characteristics	9
4.1 Metallization Mask Layout	9
5. Revision History	10
6. Package Outline Drawing	11

1. Overview

1.1 Typical Applications

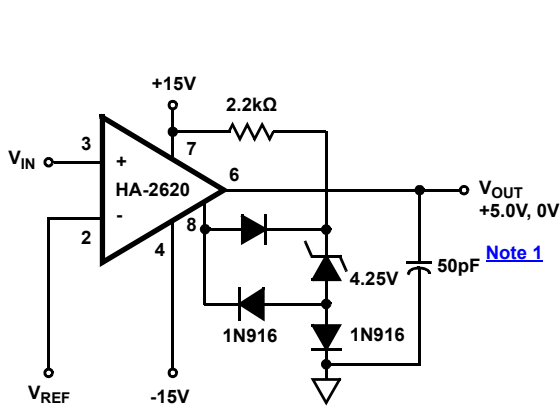


Figure 1. High Input Impedance Comparator

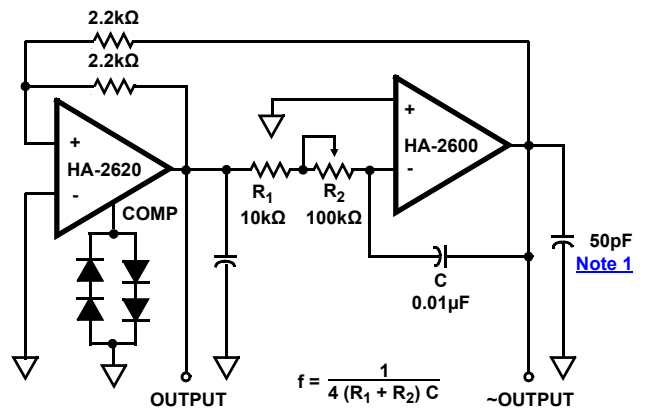


Figure 2. Function Generator

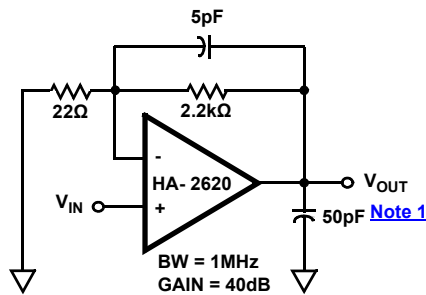
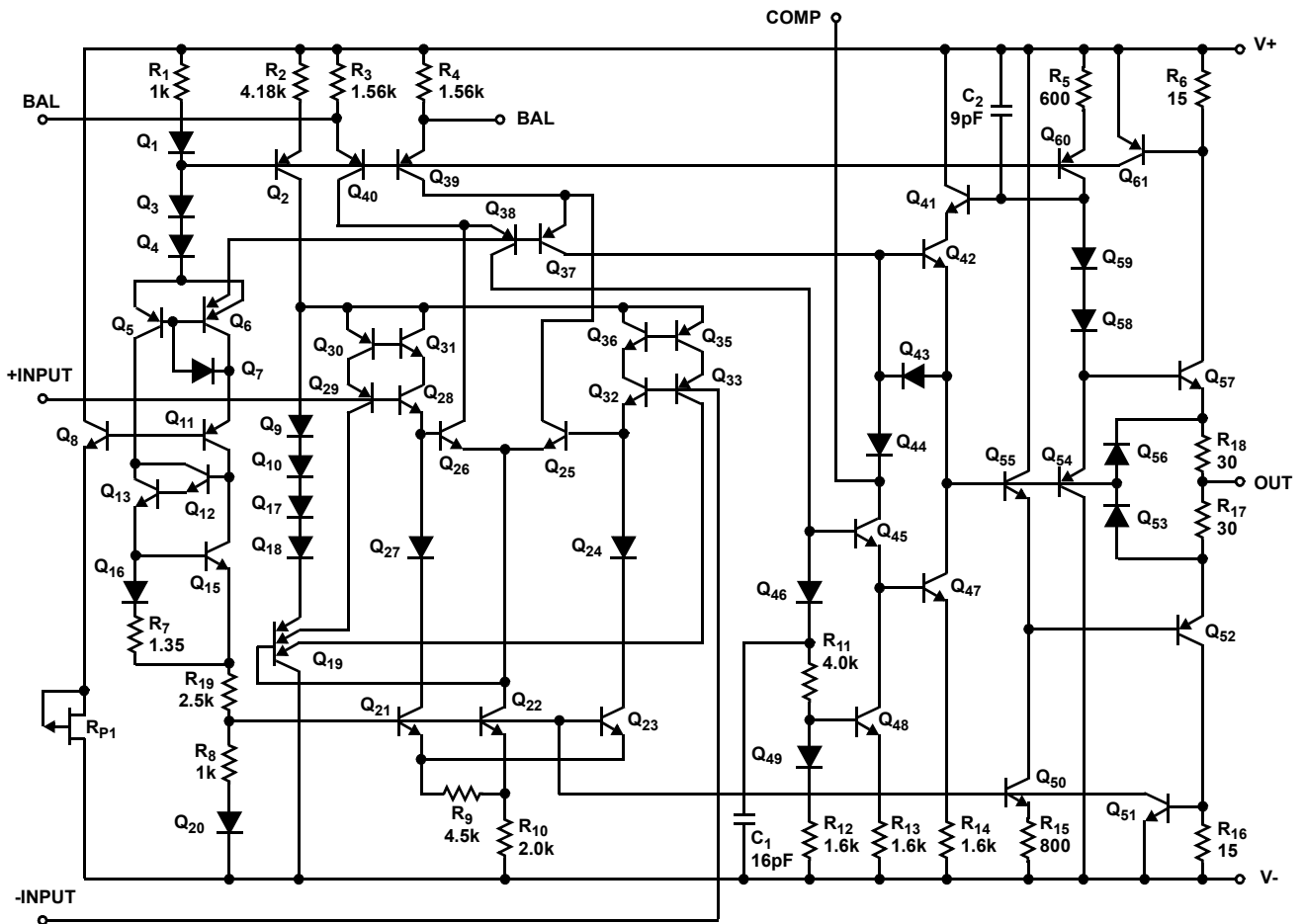


Figure 3. Video Amplifier

Note:

1. A small load capacitance of at least 30pF (including stray capacitance) is recommended to prevent possible high frequency oscillations.

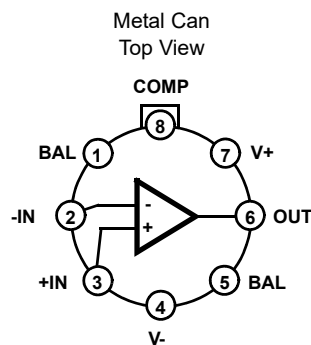
1.2 Schematic Diagram



1.3 Ordering Information

Part Number	Part Marking	Temp. Range (°C)	Package	Pkg. Dwg. #
HA2-2620-2	HA2- 2620-2	-55 to 125	8 Pin Metal Can	T8.C

1.4 Pin Configuration



2. Specifications

2.1 Absolute Maximum Ratings

Parameter	Minimum	Maximum	Unit
Supply Voltage (Between V+ and V- Terminals)		45	V
Differential Input Voltage		12	V
Peak Output Current		Full Short-Circuit Protection	

CAUTION: Do not operate at or near the maximum ratings listed for extended periods of time. Exposure to such conditions can adversely impact product reliability and result in failures not covered by warranty.

2.2 Thermal Information

Thermal Resistance (Typical)	θ_{JA} (°C/W)	θ_{JC} (°C/W)
Metal Can Package (Note 2)	165	80

Note:

- θ_{JA} is measured with the component mounted on an evaluation PC board in free air.

Parameter	Minimum	Maximum	Unit
Maximum Junction Temperature (Hermetic Package)		+175	°C
Maximum Storage Temperature Range	-65	+150	°C
Maximum Lead Temperature (Soldering 10s)		300	°C

2.3 Recommended Operation Conditions

Parameter	Minimum	Maximum	Unit
Ambient Temperature	-55	+125	°C

2.4 Electrical Specifications

$V_{SUPPLY} = \pm 15V$, Unless Otherwise Specified

Parameter	Temperature (°C)	Min	Typ	Max	Unit
Input Characteristics					
Offset Voltage (Note 4)	25	-	0.5	4	mV
	Full	-	2	6	mV
Average Offset Voltage Drift	Full	-	5	-	$\mu V/^\circ C$
Bias Current	25	-	1	15	nA
	Full	-	10	35	nA
Offset Current	25		1	15	nA
	Full	-	5	35	nA
Differential Input Resistance (Note 3)	25	65	500	-	M Ω
Input Noise Voltage Density (f = 1kHz)	25	-	11	-	nV/ \sqrt{Hz}
Input Noise Current Density (f = 1kHz)	25	-	0.16	-	pA/ \sqrt{Hz}
Common-Mode Range	Full	± 11	± 12	-	V
Transfer Characteristics					
Large Signal Voltage Gain (Notes 5, 6)	25	100	150	-	kV/V
	Full	70	-	-	kV/V
Common-Mode Rejection Ratio (Note 7)	Full	80	100	-	dB
Minimum Stable Gain	25	5	-	-	V/V
Gain Bandwidth Product (Notes 5, 8, 9)	25	-	100	-	MHz

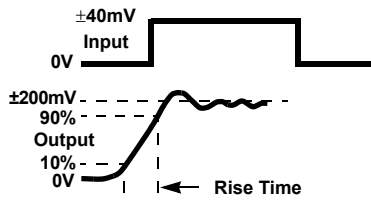
V_{SUPPLY} = ±15V, Unless Otherwise Specified (Continued)

Parameter	Temperature (°C)	Min	Typ	Max	Unit
Output Characteristics					
Output Voltage Swing (Note 5)	Full	±10	±12	-	V
Output Current (Note 6)	25	±15	±22	-	mA
Full Power Bandwidth (Notes 5, 6, 10, 14)	25	400	600	-	kHz
Transient Response (Note 9)					
Rise Time (Notes 5, 10, 11)	25	-	17	45	ns
Slew Rate (Notes 5, 10, 11, 13)	25	±25	±35	-	V/μs
Power Supply Characteristics					
Supply Current	25	-	3	3.7	mA
Power Supply Rejection Ratio (Note 12)	Full	80	90	-	dB

Notes:

3. This parameter value is assured by design calculations.
4. Offset may be externally adjusted to zero.
5. R_L = 2kΩ.
6. V_{OUT} = ±10V.
7. V_{CM} = ±10V.
8. V_{OUT} < 90mV.
9. 40dB Gain.
10. See Transient Response [Test Circuits and Waveforms](#).
11. A_V = 5 (The HA-2620 family is not stable at unity gain without external compensation).
12. ΔV_S = ±5V.
13. V_{OUT} = ±5V.
14. Full power bandwidth assured by slew rate measurement: $FPBW = \frac{\text{Slew Rate}}{2\pi V_{PEAK}}$.

2.5 Test Circuits and Waveforms



Note: Measured on both positive and negative transitions from 0V to +200mV and 0V to -200mV at output.

Figure 4. Transient Response

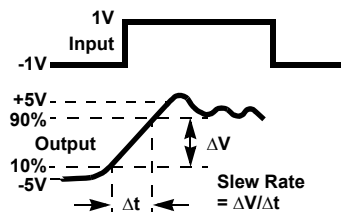


Figure 5. Slew Rate

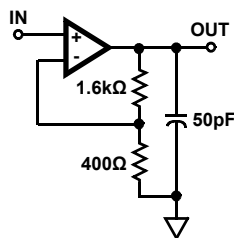
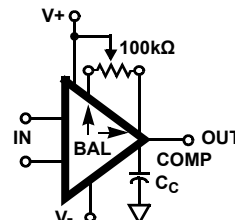


Figure 6. Slew Rate and Transient Response



NOTE: Tested Offset Adjustment is |V_{OS} + 1mV| minimum referred to output. Typical range is ±10mV with R_T = 100kΩ.

Figure 7. Suggested V_{OS} Adjustment and Compensation Hook-Up

3. Typical Performance Curves

$V_S = \pm 15V$, $T_A = 25^\circ C$, Unless Otherwise Specified

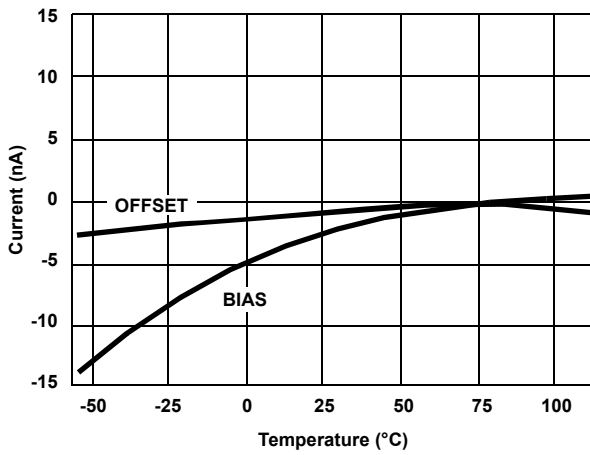


Figure 8. Input Bias Current and Offset Current vs Temperature

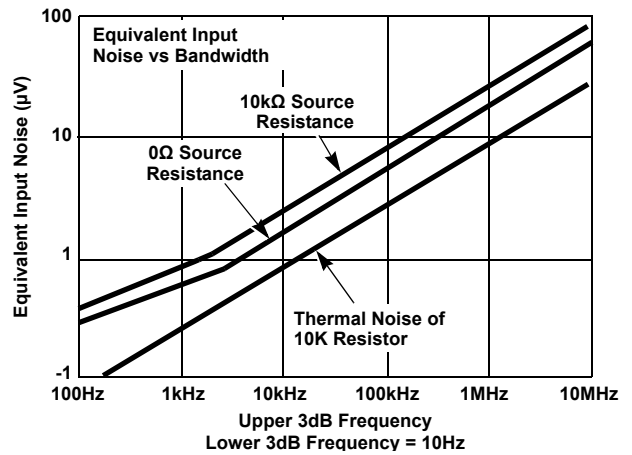


Figure 9. Broadband Noise Characteristics

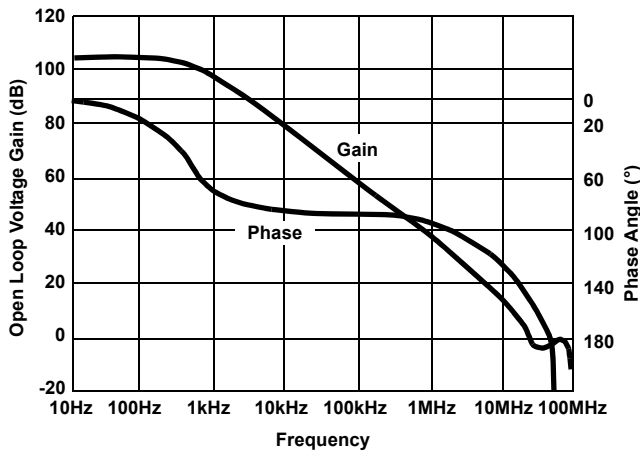


Figure 10. Open Loop Frequency Response

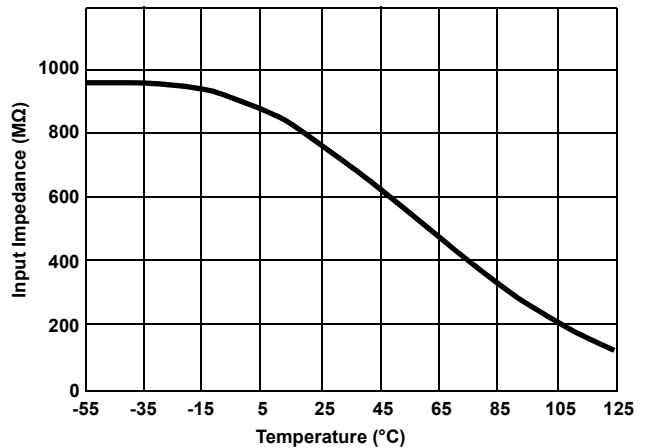


Figure 11. Input Impedance vs Temperature, 100Hz

$V_S = \pm 15V$, $T_A = 25^\circ C$, Unless Otherwise Specified (Continued)

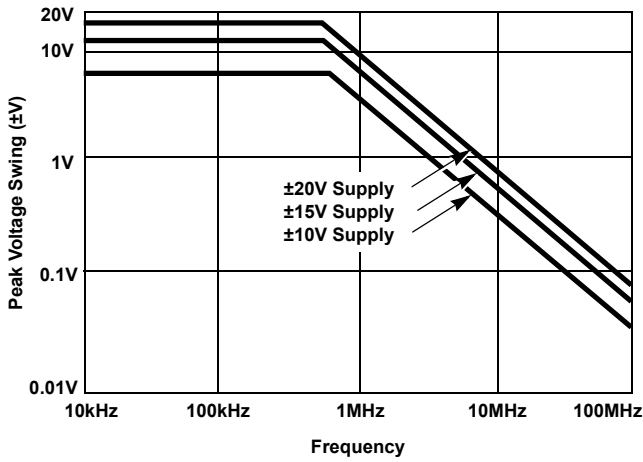
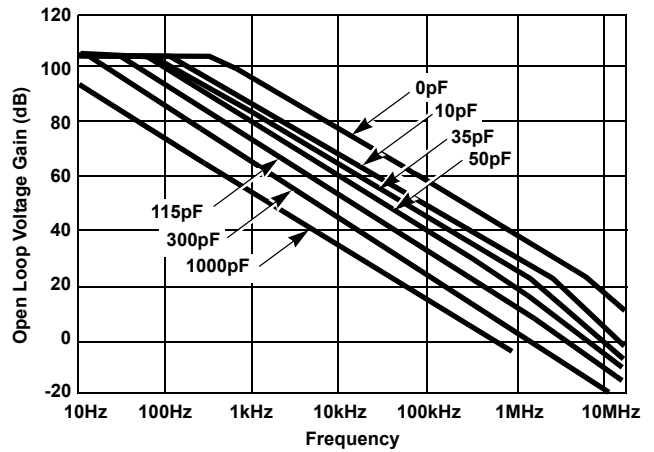


Figure 12. Output Voltage Swing vs Frequency



Note: External Compensation is required for closed loop gain < 5. If external compensation is used, also connect 100pF capacitor from output to ground.

Figure 13. Open Loop Frequency Response for Various Values of Capacitors from COMP. PIN to GND

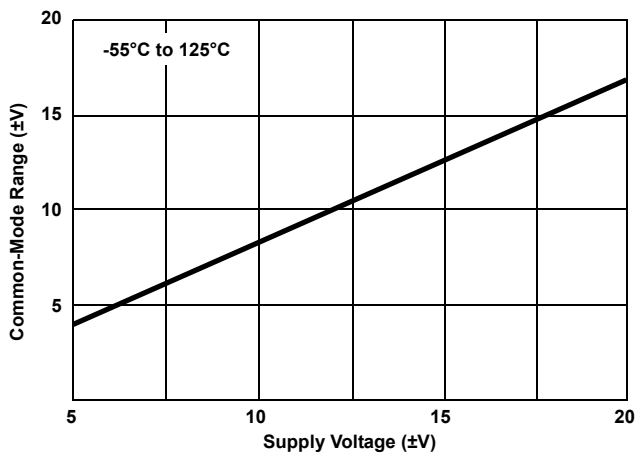


Figure 14. Common-Mode Voltage Range vs Supply Voltage

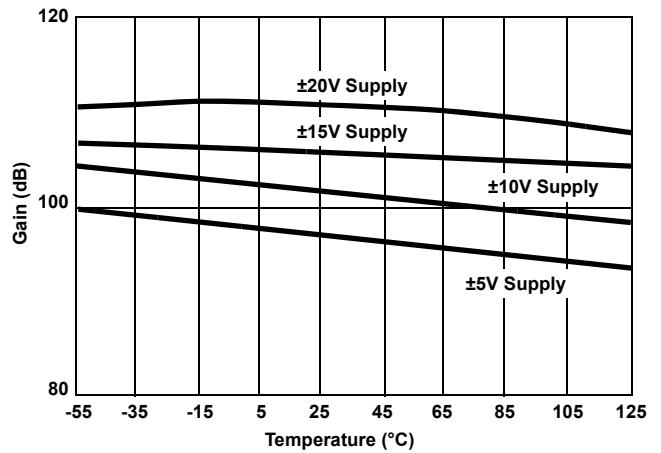


Figure 15. Open Loop Voltage Gain vs Temperature

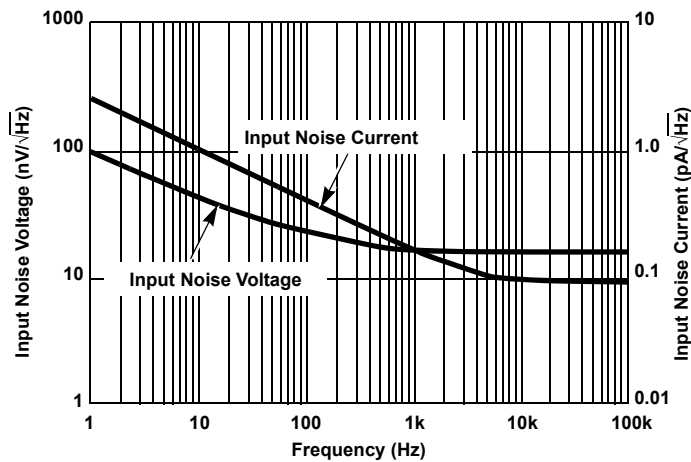
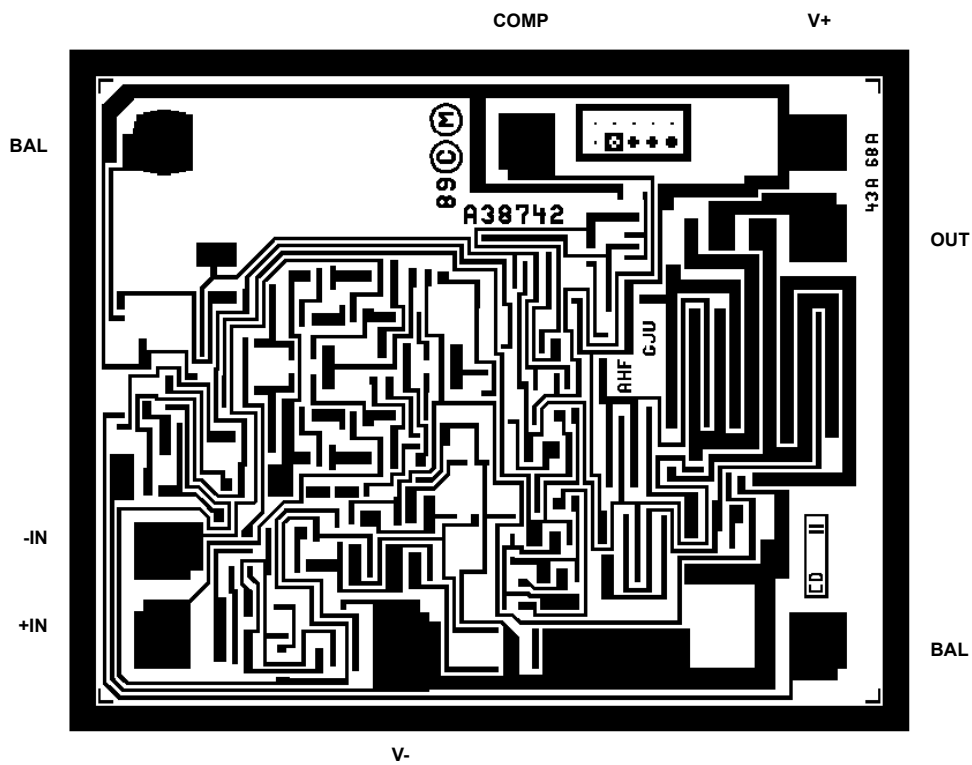


Figure 16. Noise Density vs Frequency

4. Die Characteristics

Process	Bipolar Dielectric Isolation
Substrate Potential (Powered Up)	Unbiased
Transistor Count	140

4.1 Metallization Mask Layout

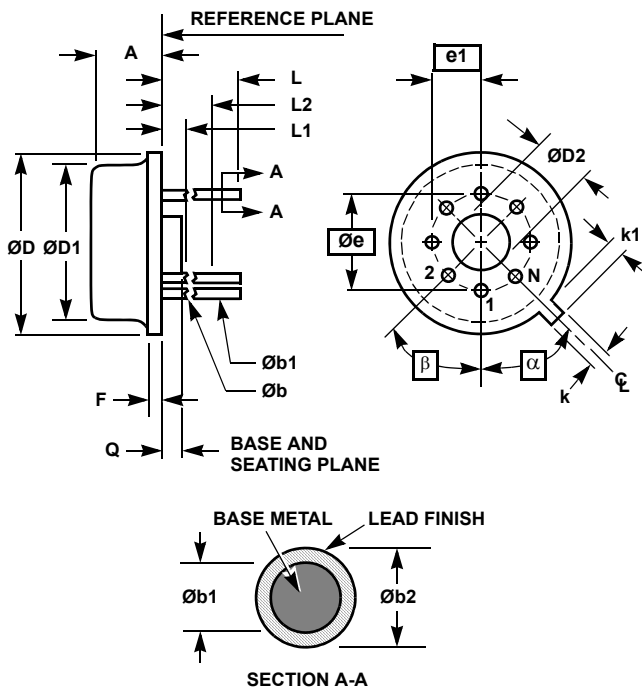


5. Revision History

Rev.	Date	Description
9.00	Mar.21.19	Applied New template and formatting. Removed HA-2625 information from datasheet. Added Revision History. Updated Disclaimer.

6. Package Outline Drawing

For the most recent package outline drawing, see [T8.C](#).



**T8.C MIL-STD-1835 MACY1-X8 (A1)
8 LEAD METAL CAN PACKAGE**

SYMBOL	INCHES		MILLIMETERS		NOTES
	MIN	MAX	MIN	MAX	
A	0.165	0.185	4.19	4.70	-
Øb	0.016	0.019	0.41	0.48	1
Øb1	0.016	0.021	0.41	0.53	1
Øb2	0.016	0.024	0.41	0.61	-
ØD	0.335	0.375	8.51	9.40	-
ØD1	0.305	0.335	7.75	8.51	-
ØD2	0.110	0.160	2.79	4.06	-
e	0.200 BSC		5.08 BSC		-
e1	0.100 BSC		2.54 BSC		-
F	-	0.040	-	1.02	-
k	0.027	0.034	0.69	0.86	-
k1	0.027	0.045	0.69	1.14	2
L	0.500	0.750	12.70	19.05	1
L1	-	0.050	-	1.27	1
L2	0.250	-	6.35	-	1
Q	0.010	0.045	0.25	1.14	-
α	45° BSC		45° BSC		3
β	45° BSC		45° BSC		3
N	8		8		4

Rev. 0 5/18/94

NOTES:

- (All leads) Øb applies between L1 and L2. Øb1 applies between L2 and 0.500 from the reference plane. Diameter is uncontrolled in L1 and beyond 0.500 from the reference plane.
- Measured from maximum diameter of the product.
- α is the basic spacing from the centerline of the tab to terminal 1 and β is the basic spacing of each lead or lead position (N - 1 places) from α, looking at the bottom of the package.
- N is the maximum number of terminal positions.
- Dimensioning and tolerancing per ANSI Y14.5M - 1982.
- Controlling dimension: INCH.

Notice

1. Descriptions of circuits, software and other related information in this document are provided only to illustrate the operation of semiconductor products and application examples. You are fully responsible for the incorporation or any other use of the circuits, software, and information in the design of your product or system. Renesas Electronics disclaims any and all liability for any losses and damages incurred by you or third parties arising from the use of these circuits, software, or information.
2. Renesas Electronics hereby expressly disclaims any warranties against and liability for infringement or any other claims involving patents, copyrights, or other intellectual property rights of third parties, by or arising from the use of Renesas Electronics products or technical information described in this document, including but not limited to, the product data, drawings, charts, programs, algorithms, and application examples.
3. No license, express, implied or otherwise, is granted hereby under any patents, copyrights or other intellectual property rights of Renesas Electronics or others.
4. You shall not alter, modify, copy, or reverse engineer any Renesas Electronics product, whether in whole or in part. Renesas Electronics disclaims any and all liability for any losses or damages incurred by you or third parties arising from such alteration, modification, copying or reverse engineering.
5. Renesas Electronics products are classified according to the following two quality grades: "Standard" and "High Quality". The intended applications for each Renesas Electronics product depends on the product's quality grade, as indicated below.
 - "Standard": Computers; office equipment; communications equipment; test and measurement equipment; audio and visual equipment; home electronic appliances; machine tools; personal electronic equipment; industrial robots; etc.
 - "High Quality": Transportation equipment (automobiles, trains, ships, etc.); traffic control (traffic lights); large-scale communication equipment; key financial terminal systems; safety control equipment; etc.Unless expressly designated as a high reliability product or a product for harsh environments in a Renesas Electronics data sheet or other Renesas Electronics document, Renesas Electronics products are not intended or authorized for use in products or systems that may pose a direct threat to human life or bodily injury (artificial life support devices or systems; surgical implantations; etc.), or may cause serious property damage (space system; undersea repeaters; nuclear power control systems; aircraft control systems; key plant systems; military equipment; etc.). Renesas Electronics disclaims any and all liability for any damages or losses incurred by you or any third parties arising from the use of any Renesas Electronics product that is inconsistent with any Renesas Electronics data sheet, user's manual or other Renesas Electronics document.
6. When using Renesas Electronics products, refer to the latest product information (data sheets, user's manuals, application notes, "General Notes for Handling and Using Semiconductor Devices" in the reliability handbook, etc.), and ensure that usage conditions are within the ranges specified by Renesas Electronics with respect to maximum ratings, operating power supply voltage range, heat dissipation characteristics, installation, etc. Renesas Electronics disclaims any and all liability for any malfunctions, failure or accident arising out of the use of Renesas Electronics products outside of such specified ranges.
7. Although Renesas Electronics endeavors to improve the quality and reliability of Renesas Electronics products, semiconductor products have specific characteristics, such as the occurrence of failure at a certain rate and malfunctions under certain use conditions. Unless designated as a high reliability product or a product for harsh environments in a Renesas Electronics data sheet or other Renesas Electronics document, Renesas Electronics products are not subject to radiation resistance design. You are responsible for implementing safety measures to guard against the possibility of bodily injury, injury or damage caused by fire, and/or danger to the public in the event of a failure or malfunction of Renesas Electronics products, such as safety design for hardware and software, including but not limited to redundancy, fire control and malfunction prevention, appropriate treatment for aging degradation or any other appropriate measures. Because the evaluation of microcomputer software alone is very difficult and impractical, you are responsible for evaluating the safety of the final products or systems manufactured by you.
8. Please contact a Renesas Electronics sales office for details as to environmental matters such as the environmental compatibility of each Renesas Electronics product. You are responsible for carefully and sufficiently investigating applicable laws and regulations that regulate the inclusion or use of controlled substances, including without limitation, the EU RoHS Directive, and using Renesas Electronics products in compliance with all these applicable laws and regulations. Renesas Electronics disclaims any and all liability for damages or losses occurring as a result of your noncompliance with applicable laws and regulations.
9. Renesas Electronics products and technologies shall not be used for or incorporated into any products or systems whose manufacture, use, or sale is prohibited under any applicable domestic or foreign laws or regulations. You shall comply with any applicable export control laws and regulations promulgated and administered by the governments of any countries asserting jurisdiction over the parties or transactions.
10. It is the responsibility of the buyer or distributor of Renesas Electronics products, or any other party who distributes, disposes of, or otherwise sells or transfers the product to a third party, to notify such third party in advance of the contents and conditions set forth in this document.
11. This document shall not be reprinted, reproduced or duplicated in any form, in whole or in part, without prior written consent of Renesas Electronics.
12. Please contact a Renesas Electronics sales office if you have any questions regarding the information contained in this document or Renesas Electronics products.

(Note1) "Renesas Electronics" as used in this document means Renesas Electronics Corporation and also includes its directly or indirectly controlled subsidiaries.

(Note2) "Renesas Electronics product(s)" means any product developed or manufactured by or for Renesas Electronics.

(Rev.4.0-1 November 2017)

Corporate Headquarters

TOYOSU FORESIA, 3-2-24 Toyosu,
Koto-ku, Tokyo 135-0061, Japan
www.renesas.com

Contact Information

For further information on a product, technology, the most up-to-date version of a document, or your nearest sales office, please visit:
www.renesas.com/contact/

Trademarks

Renesas and the Renesas logo are trademarks of Renesas Electronics Corporation. All trademarks and registered trademarks are the property of their respective owners.