

HM-6551/883

256 x 4 CMOS RAM

FN2988
Rev.2.00
July 2003

The HM-6551/883 is a 256 x 4 static CMOS RAM fabricated using self-aligned silicon gate technology. Synchronous circuit design techniques are employed to achieve high performance and low power operation. On chip latches are provided for address and data outputs allowing efficient interfacing with microprocessor systems. The data output buffers can be forced to a high impedance state for use in expanded memory arrays.

The HM-6551/883 is a fully static RAM and may be maintained in any state for an indefinite period of time. Data retention supply voltage and supply current are guaranteed over temperature.

Ordering Information

PACKAGE	TEMP. RANGE	220ns	300ns	PKG. DWG. #
CERDIP	-55°C to +125°C	HM1-6551B/883	HM1-6551/883	F22.4

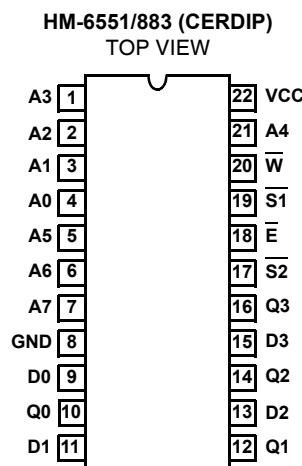
Pin Descriptions

PIN	DESCRIPTION
A	Address Input
\bar{E}	Chip Enable
\bar{W}	Write Enable
\bar{S}	Chip Select
D	Data Input
Q	Data Output

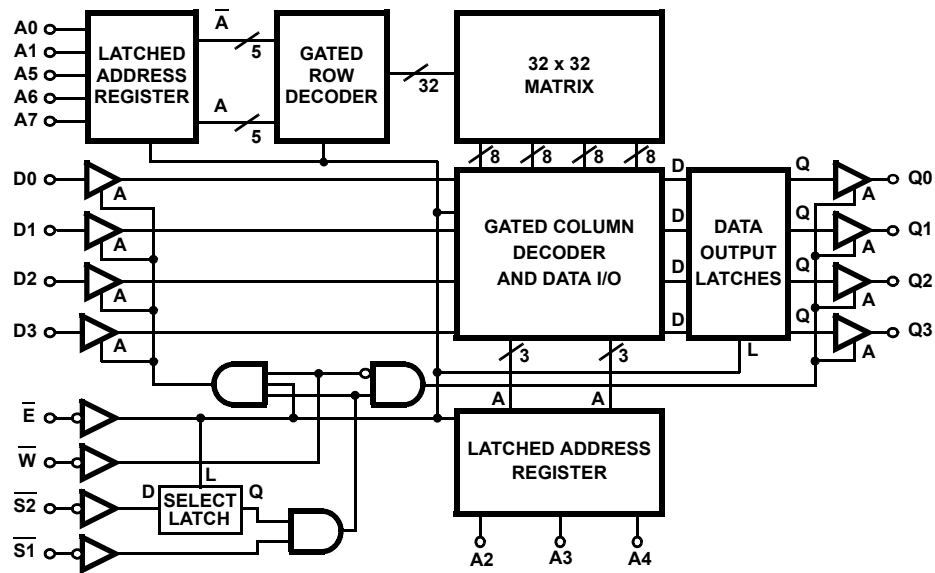
Features

- This Circuit is Processed in Accordance to MIL-STD-883 and is Fully Conformant Under the Provisions of Paragraph 1.2.1.
- Low Power Standby 50μW Max
- Low Power Operation. 20mW/MHz Max
- Fast Access Time. 220ns Max
- Data Retention at 2.0V Min
- TTL Compatible Input/Output
- High Output Drive - 1 TTL Load
- Internal Latched Chip Select
- High Noise Immunity
- On-Chip Address Register
- Latched Outputs
- Three-State Output

Pinout



Functional Diagram



NOTES:

1. Select Latch: L Low \rightarrow Q = D and Q latches on rising edge of L.
2. Address Latches And Gated Decoders: Latch on falling edge of \bar{E} and gate on falling edge of \bar{E} .
3. All lines positive logic-active high.
4. Three-State Buffers: A high \rightarrow output active.
5. Data Latches: L High \rightarrow Q = D and Q latches on falling edge of L.

Absolute Maximum Ratings

Supply Voltage +7.0V
 Input, Output or I/O Voltage GND -0.3V to VCC +0.3V
 ESD Classification Class 1

Operating Conditions

Operating Voltage Range +4.5V to +5.5V
 Operating Temperature Range -55°C to +125°C
 Input Low Voltage 0V to +0.8V
 Input High Voltage VCC -2.0V to VCC
 Input Rise and Fall Time 40ns Max.

Thermal Information

Thermal Resistance θ_{JA} θ_{JC}
 CERDIP Package 60°C/W 15°C/W
 Maximum Storage Temperature Range -65°C to +150°C
 Maximum Junction Temperature +175°C
 Maximum Lead Temperature (Soldering 10s) +300°C

Die Characteristics

Gate Count 1930 Gates

CAUTION: Stresses above those listed in "Absolute Maximum Ratings" may cause permanent damage to the device. This is a stress only rating and operation of the device at these or any other conditions above those indicated in the operational sections of this specification is not implied.

NOTE:

- θ_{JA} is measured with the component mounted on a low effective thermal conductivity test board in free air. See Tech Brief TB379 for details.

TABLE 1. HM-6551/883 DC ELECTRICAL PERFORMANCE SPECIFICATIONS

Device Guaranteed and 100% Tested

PARAMETER	SYMBOL	(NOTE 1) CONDITIONS	GROUP A SUBGROUPS	TEMPERATURE	LIMITS		UNITS
					MIN	MAX	
Output Low Voltage	VOL	VCC = 4.5V IOL = 1.6mA	1, 2, 3	-55°C ≤ T _A ≤ +125°C	-	0.4	V
Output High Voltage	VOH	VCC = 4.5V IOH = -0.4mA	1, 2, 3	-55°C ≤ T _A ≤ +125°C	2.4	-	V
Input Leakage Current	II	VCC = 5.5V, VI = GND or VCC	1, 2, 3	-55°C ≤ T _A ≤ +125°C	-1.0	+1.0	μA
Output Leakage Current	IOZ	VCC = 5.5 V, VO = GND or VCC	1, 2, 3	-55°C ≤ T _A ≤ +125°C	-1.0	+1.0	μA
Data Retention Supply Current	ICCDR	VCC = 2.0V, \bar{E} = VCC IO = 0mA, VI = VCC or GND	1, 2, 3	-55°C ≤ T _A ≤ +125°C	-	10	μA
Operating Supply Current	ICCOP	VCC = 5.5V, (Note 2) \bar{E} = 1MHz, IO = 0mA VI = VCC or GND	1, 2, 3	-55°C ≤ T _A ≤ +125°C	-	4	mA
Standby Supply Current	ICCSB	VCC = 5.5V, IO = 0mA VI = VCC or GND	1, 2, 3	-55°C ≤ T _A ≤ +125°C	-	10	μA

NOTES:

- All voltages referenced to device GND.
- Typical derating 1.5mA/MHz increase in ICCOP.

TABLE 2. HM-6551/883 A.C. ELECTRICAL PERFORMANCE SPECIFICATIONS

Device Guaranteed and 100% Tested

PARAMETER	SYMBOL		(NOTES 1, 2) CONDITIONS	GROUP A SUB- GROUPS	TEMPERATURE	LIMITS				UNITS
						HM-6551B/883		HM-6551/883		
						MIN	MAX	MIN	MAX	
Chip Enable Access Time	(1)	TELQV	VCC = 4.5 and 5.5V	9, 10, 11	$-55^{\circ}\text{C} \leq T_A \leq +125^{\circ}\text{C}$	-	220	-	300	ns
Address Access Time	(2)	TAVQV	VCC = 4.5 and 5.5V, Note 3	9, 10, 11	$-55^{\circ}\text{C} \leq T_A \leq +125^{\circ}\text{C}$	-	220	-	300	ns
Chip Select 1 Output Enable Time	(3)	TS1LQX	VCC = 4.5 and 5.5V	9, 10, 11	$-55^{\circ}\text{C} \leq T_A \leq +125^{\circ}\text{C}$	5	-	5	-	ns
Write Enable Output Disable Time	(4)	TWLQZ	VCC = 4.5 and 5.5V	9, 10, 11	$-55^{\circ}\text{C} \leq T_A \leq +125^{\circ}\text{C}$	-	130	-	150	ns
Chip Select 1 Output Disable Time	(5)	TS1HQZ	VCC = 4.5 and 5.5V	9, 10, 11	$-55^{\circ}\text{C} \leq T_A \leq +125^{\circ}\text{C}$	-	130	-	150	ns
Chip Enable Pulse Negative Width	(6)	TELEH	VCC = 4.5 and 5.5V	9, 10, 11	$-55^{\circ}\text{C} \leq T_A \leq +125^{\circ}\text{C}$	220	-	300	-	ns
Chip Enable Pulse Positive Width	(7)	TEHEL	VCC = 4.5 and 5.5V	9, 10, 11	$-55^{\circ}\text{C} \leq T_A \leq +125^{\circ}\text{C}$	100	-	100	-	ns
Address Setup Time	(8)	TAVEL	VCC = 4.5 and 5.5V	9, 10, 11	$-55^{\circ}\text{C} \leq T_A \leq +125^{\circ}\text{C}$	0	-	0	-	ns
Chip Select 2 Setup Time	(9)	TS2LEL	VCC = 4.5 and 5.5V	9, 10, 11	$-55^{\circ}\text{C} \leq T_A \leq +125^{\circ}\text{C}$	0	-	0	-	ns
Address Hold Time	(10)	TELAX	VCC = 4.5 and 5.5V	9, 10, 11	$-55^{\circ}\text{C} \leq T_A \leq +125^{\circ}\text{C}$	40	-	50	-	ns
Chip Select 2 Hold Time	(11)	TELS2X	VCC = 4.5 and 5.5V	9, 10, 11	$-55^{\circ}\text{C} \leq T_A \leq +125^{\circ}\text{C}$	40	-	50	-	ns
Data Setup Time	(12)	TDVWH	VCC = 4.5 and 5.5V	9, 10, 11	$-55^{\circ}\text{C} \leq T_A \leq +125^{\circ}\text{C}$	100	-	150	-	ns
Data Hold Time	(13)	TWHDX	VCC = 4.5 and 5.5V	9, 10, 11	$-55^{\circ}\text{C} \leq T_A \leq +125^{\circ}\text{C}$	0	-	0	-	ns
Chip Select 1 Write Pulse Setup Time	(14)	TWLS1H	VCC = 4.5 and 5.5V	9, 10, 11	$-55^{\circ}\text{C} \leq T_A \leq +125^{\circ}\text{C}$	120	-	180	-	ns
Chip Enable Write Pulse Setup Time	(15)	TWLEH	VCC = 4.5 and 5.5V	9, 10, 11	$-55^{\circ}\text{C} \leq T_A \leq +125^{\circ}\text{C}$	120	-	180	-	ns
Chip Select 1 Write Pulse Hold Time	(16)	TS1LWH	VCC = 4.5 and 5.5V	9, 10, 11	$-55^{\circ}\text{C} \leq T_A \leq +125^{\circ}\text{C}$	120	-	180	-	ns
Chip Enable Write Pulse Hold Time	(17)	TELWH	VCC = 4.5 and 5.5V	9, 10, 11	$-55^{\circ}\text{C} \leq T_A \leq +125^{\circ}\text{C}$	120	-	180	-	ns
Write Enable Pulse Width	(18)	TWLWH	VCC = 4.5 and 5.5V	9, 10, 11	$-55^{\circ}\text{C} \leq T_A \leq +125^{\circ}\text{C}$	120	-	180	-	ns
Read or Write Cycle Time	(19)	TELEL	VCC = 4.5 and 5.5V	9, 10, 11	$-55^{\circ}\text{C} \leq T_A \leq +125^{\circ}\text{C}$	320	-	400	-	ns

NOTES:

- All voltages referenced to device GND.
- Input pulse levels: 0.8V to VCC-2.0V; Input rise and fall times: 5ns (max); Input and output timing reference level: 1.5V; Output load: IOL = 1.6mA, IOH = -0.4mA, CL = 50pF (min) - for CL greater than 50pF, access time is derated by 0.15ns per pF.
- TAVQV = TELQV + TAVEL.

TABLE 3. HM-6551B/883 AND HM-6551/883 ELECTRICAL PERFORMANCE SPECIFICATIONS

PARAMETER	SYMBOL	CONDITIONS	NOTE	TEMPERATURE	LIMITS		UNITS
					MIN	MAX	
Input Capacitance	CI	VCC = Open, f = 1MHz, All Measurements Referenced to Device Ground	1	T _A = +25°C	-	10	pF
Output Capacitance	CO	VCC = Open, f = 1MHz, All Measurements Referenced to Device Ground	1	T _A = +25°C	-	12	pF

NOTE:

- The parameters listed in Table 3 are controlled via design or process parameters are characterized upon initial design and after major process and/or design changes.

TABLE 4. APPLICABLE SUBGROUPS

CONFORMANCE GROUPS	METHOD	SUBGROUPS
Initial Test	100%/5004	-
Interim Test	100%/5004	1, 7, 9
PDA	100%/5004	1
Final Test	100%/5004	2, 3, 8A, 8B, 10, 11
Group A	Samples/5005	1, 2, 3, 7, 8A, 8B, 9, 10, 11
Groups C & D	Samples/5005	1, 7, 9

Timing Waveforms

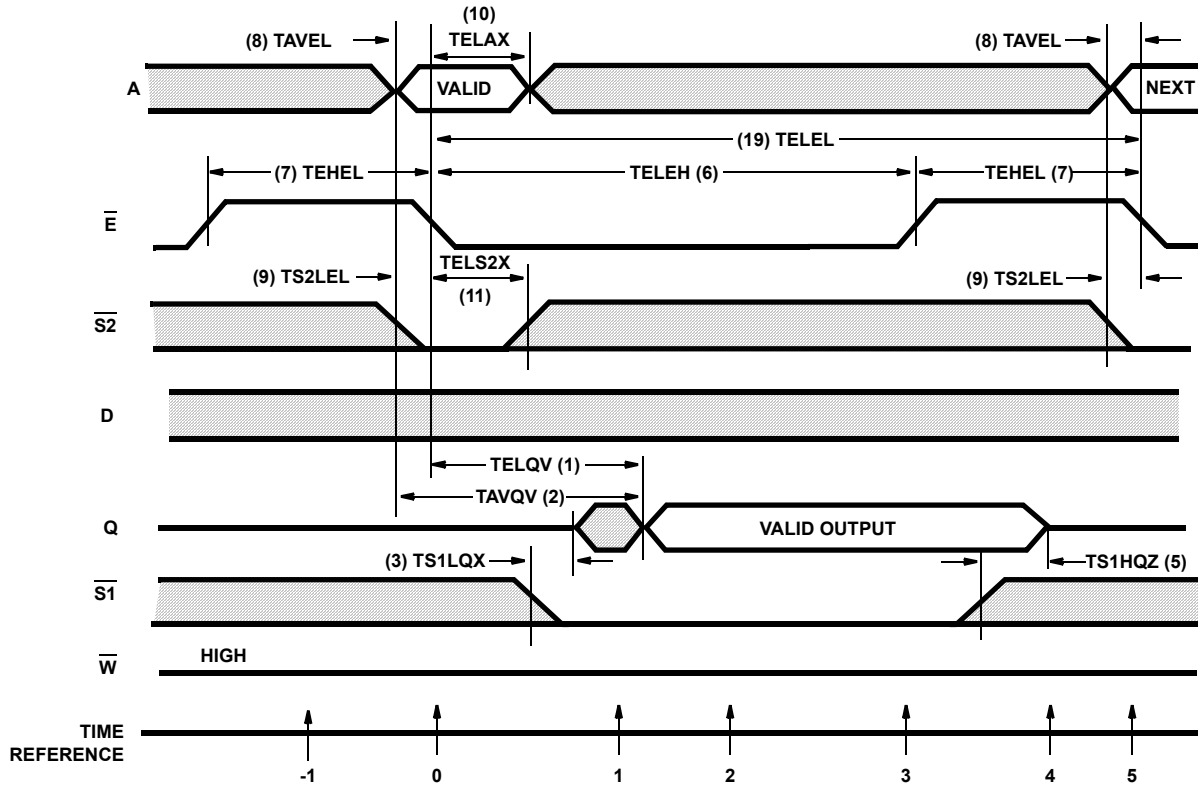


FIGURE 1. READ CYCLE

TRUTH TABLE

TIME REFERENCE	INPUTS						OUTPUTS	FUNCTION
	\bar{E}	$\bar{S1}$	$\bar{S2}$	\bar{W}	A	D	Q	
-1	H	H	X	X	X	X	Z	Memory Disabled
0		X	L	H	V	X	Z	Addresses and $\bar{S2}$ are Latched, Cycle Begins
1	L	L	X	H	X	X	X	Output Enabled but Undefined
2	L	L	X	H	X	X	V	Data Output Valid
3		L	X	H	X	X	V	Outputs Latched, Valid Data, $\bar{S2}$ Unlatches
4	H	H	X	X	X	X	Z	Prepare for Next Cycle (Same as -1)
5		X	L	H	V	X	Z	Cycle Ends, Next Cycle Begins (Same as 0)

The HM-6551/883 Read Cycle is initiated by the falling edge of \bar{E} . This signal latches the input address word and $\bar{S2}$ into on-chip registers providing the minimum setup and hold times are met. After the required hold time, these inputs may change state without affecting device operation. $\bar{S2}$ acts as a high order address and simplifies decoding. For the output to be read, \bar{E} , $\bar{S1}$ must be low and \bar{W} must be high. $\bar{S2}$ must have been latched low on the falling edge of \bar{E} . The output data will be valid at access time (TELQV). The HM-6551/883

has output data latches that are controlled by \bar{E} . On the rising edge of \bar{E} the present data is latched and remains in that state until \bar{E} falls. Also on the rising edge of \bar{E} , $\bar{S2}$ unlatches and controls the outputs along with $\bar{S1}$. Either or both $\bar{S1}$ or $\bar{S2}$ may be used to force the output buffers into a high impedance state.

Timing Waveforms (Continued)

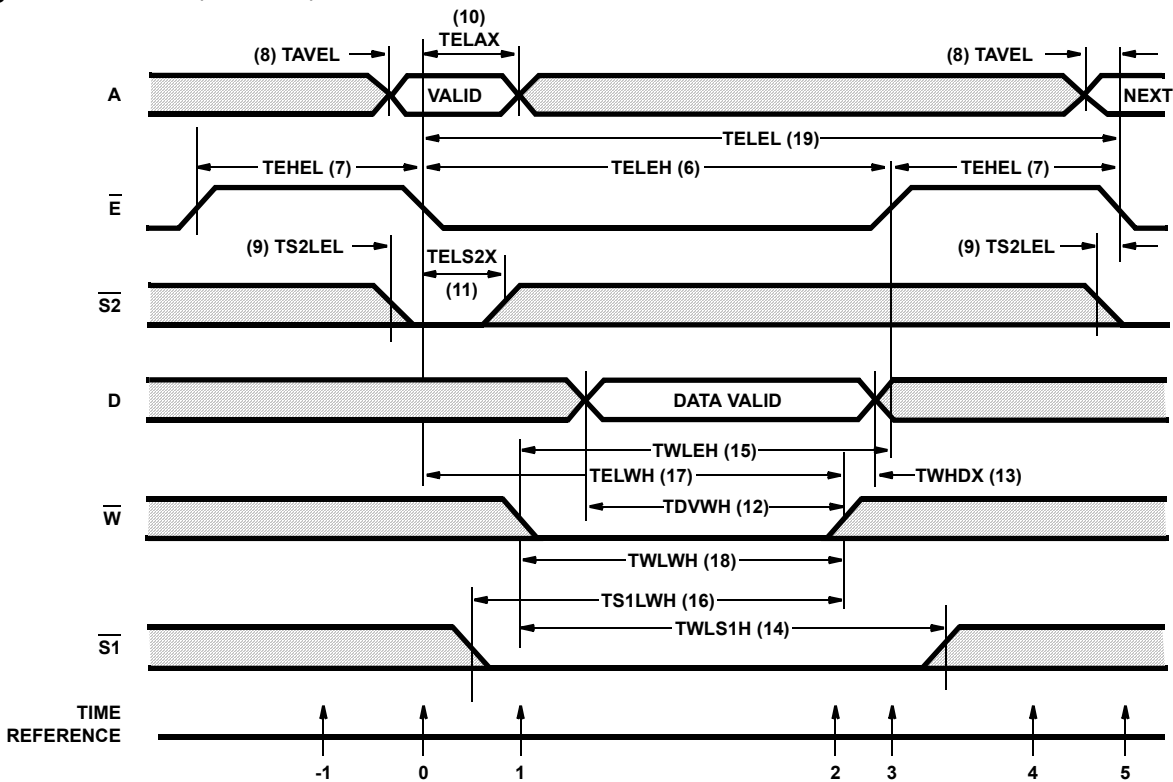


FIGURE 2. WRITE CYCLE

TRUTH TABLE

TIME REFERENCE	INPUTS					OUTPUTS		FUNCTION
	E-bar	S1-bar	S2-bar	W-bar	A	D	Q	
-1	H	H	X	X	X	X	Z	Memory Disabled
0		X	L	X	V	X	Z	Cycle Begins, Addresses and S2-bar are Latched
1	L	L	X		X	X	Z	Write Period Begins
2	L	L	X		X	V	Z	Data In is Written
3		X	X	H	X	X	Z	Write is Completed
4	H	H	X	X	X	X	Z	Prepare for Next Cycle (Same as -1)
5		X	L	X	V	X	Z	Cycle Ends, Next Cycle Begins (Same as 0)

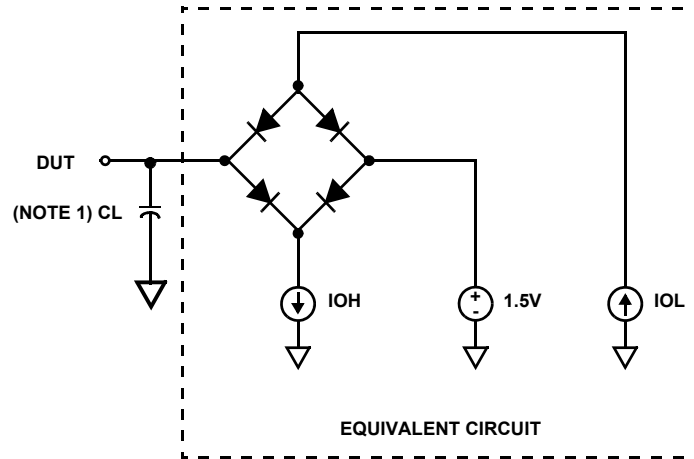
In the Write Cycle the falling edge of E-bar latches the addresses and S2-bar into on-chip registers. S2-bar must be latched in the low state to enable the device. The write portion of the cycle is defined as E-bar, W-bar, S1-bar being low and S2-bar being latched simultaneously. The W-bar line may go low at any time during the cycle providing that the write pulse setup times (TWLEH and TWLS1H) are met. The write portion of the cycle is terminated on the first rising edge of either E-bar, W-bar, or S1-bar.

If a series of consecutive write cycles are to be executed, the W-bar line may be held low until all desired locations have been written. If this method is used, data setup and hold times must be referenced to the first rising edge of E-bar or S1-bar. By positioning the write pulse at different times within the E-bar and S1-bar low time

(TELEH), various types of write cycles may be performed. If the S1-bar low time (TS1LS1H) is greater than the W-bar pulse, plus an output enable time (TS1LQX), a combination read-write cycle is executed. Data may be modified an indefinite number of times during any write cycle (TELEH).

The HM-6551/883 may be used on a common I/O bus structure by tying the input and output pins together. The multiplexing is accomplished internally by the W-bar line. In the write cycle, when W-bar goes low, the output buffers are forced to a high impedance state. One output disable time delay (TWLQZ) must be allowed before applying input data to the bus.

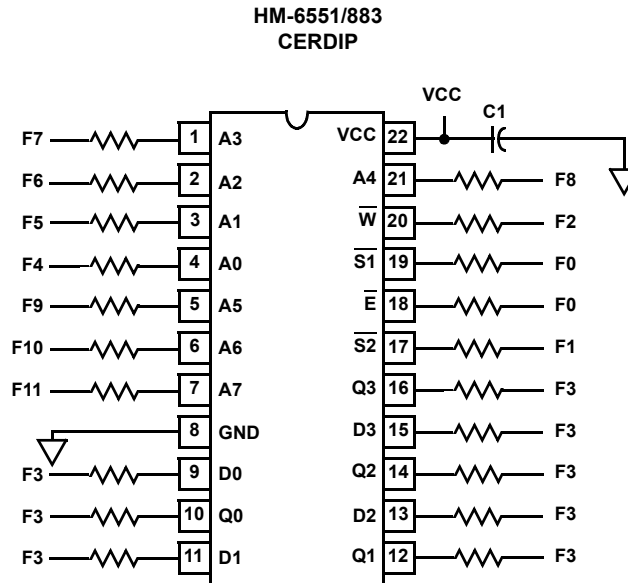
Test Load Circuit



NOTE:

- 1. Test head capacitance includes stray and jig capacitance.

Burn-In Circuit



NOTES:

- All resistors $47k\Omega \pm 5\%$.
- $F0 = 100kHz \pm 10\%$.
- $F1 = F0 \div 2$, $F2 = F1 \div 2$, $F3 = F2 \div 2 \dots F12 = F11 \div 2$.
- $VCC = 5.5V \pm 0.5V$.
- $V_{IH} = 4.5V \pm 10\%$.
- $V_{IL} = -0.2V$ to $+0.4V$.
- $C1 = 0.01\mu F$ Min.

Die Characteristics

DIE DIMENSIONS:

132 x 160 x 19 ±1mils

METALLIZATION:

Type: Si - Al

Thickness: 11kÅ ±2kÅ

GLASSIVATION:

Type: SiO₂

Thickness: 8kÅ ±1kÅ

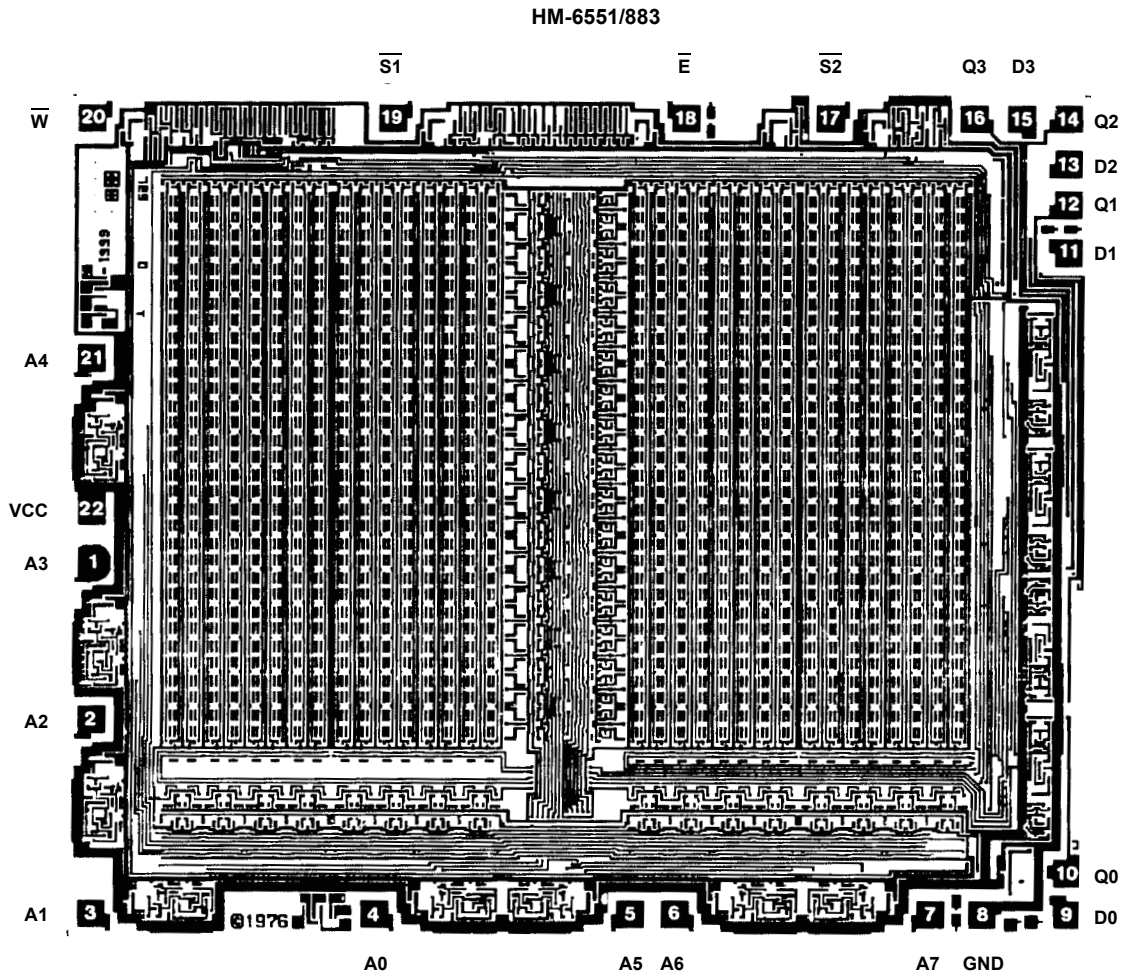
WORST CASE CURRENT DENSITY:

1.337 x 10⁵ A/cm²

LEAD TEMPERATURE (10s soldering):

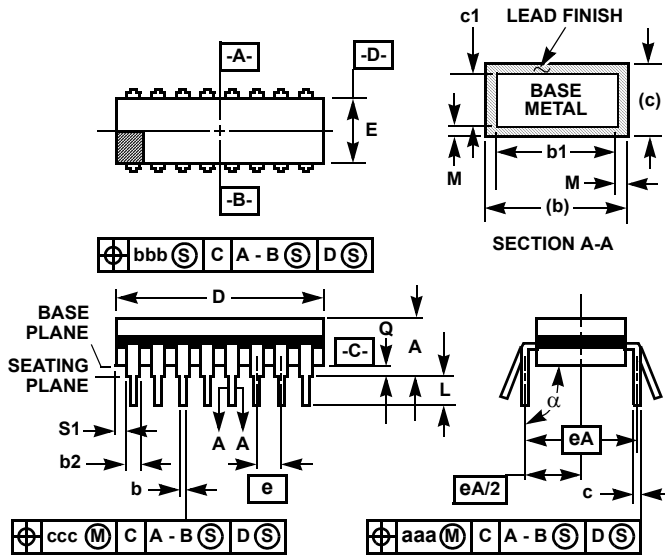
≤300°C

Metallization Mask Layout



NOTE: Pin numbers correspond to DIP Package only.

Ceramic Dual-In-Line Frit Seal Packages (CERDIP)



NOTES:

1. Index area: A notch or a pin one identification mark shall be located adjacent to pin one and shall be located within the shaded area shown. The manufacturer's identification shall not be used as a pin one identification mark.
2. The maximum limits of lead dimensions b and c or M shall be measured at the centroid of the finished lead surfaces, when solder dip or tin plate lead finish is applied.
3. Dimensions b1 and c1 apply to lead base metal only. Dimension M applies to lead plating and finish thickness.
4. Corner leads (1, N, N/2, and N/2+1) may be configured with a partial lead paddle. For this configuration dimension b3 replaces dimension b2.
5. This dimension allows for off-center lid, meniscus, and glass overrun.
6. Dimension Q shall be measured from the seating plane to the base plane.
7. Measure dimension S1 at all four corners.
8. N is the maximum number of terminal positions.
9. Dimensioning and tolerancing per ANSI Y14.5M - 1982.
10. Controlling dimension: INCH.

**F22.4 MIL-STD-1835 GDIP1-T22 (D-7, CONFIGURATION A)
22 LEAD CERAMIC DUAL-IN-LINE FRIT SEAL PACKAGE**

SYMBOL	INCHES		MILLIMETERS		NOTES
	MIN	MAX	MIN	MAX	
A	-	0.225	-	5.72	-
b	0.014	0.026	0.36	0.66	2
b1	0.014	0.023	0.36	0.58	3
b2	0.045	0.065	1.14	1.65	-
b3	0.023	0.045	0.58	1.14	4
c	0.008	0.018	0.20	0.46	2
c1	0.008	0.015	0.20	0.38	3
D	-	1.111	-	28.22	5
E	0.350	0.410	8.89	10.41	5
e	0.100 BSC		2.54 BSC		-
eA	0.400 BSC		10.16 BSC		-
eA/2	0.200 BSC		5.08 BSC		-
L	0.125	0.200	3.18	5.08	-
Q	0.015	0.070	0.38	1.78	6
S1	0.005	-	0.13	-	7
α	90°	105°	90°	105°	-
aaa	-	0.015	-	0.38	-
bbb	-	0.030	-	0.76	-
ccc	-	0.010	-	0.25	-
M	-	0.0015	-	0.038	2, 3
N	22		22		8

Rev. 0 6/13/95

© Copyright Intersil Americas LLC 2003. All Rights Reserved.

All trademarks and registered trademarks are the property of their respective owners.

For additional products, see www.intersil.com/en/products.html

Intersil products are manufactured, assembled and tested utilizing ISO9001 quality systems as noted in the quality certifications found at www.intersil.com/en/support/qualandreliability.html

Intersil products are sold by description only. Intersil may modify the circuit design and/or specifications of products at any time without notice, provided that such modification does not, in Intersil's sole judgment, affect the form, fit or function of the product. Accordingly, the reader is cautioned to verify that datasheets are current before placing orders. Information furnished by Intersil is believed to be accurate and reliable. However, no responsibility is assumed by Intersil or its subsidiaries for its use; nor for any infringements of patents or other rights of third parties which may result from its use. No license is granted by implication or otherwise under any patent or patent rights of Intersil or its subsidiaries.

For information regarding Intersil Corporation and its products, see www.intersil.com