

## Interface IP

# FPD-Link Transmitter for TSMC 28nm HPC

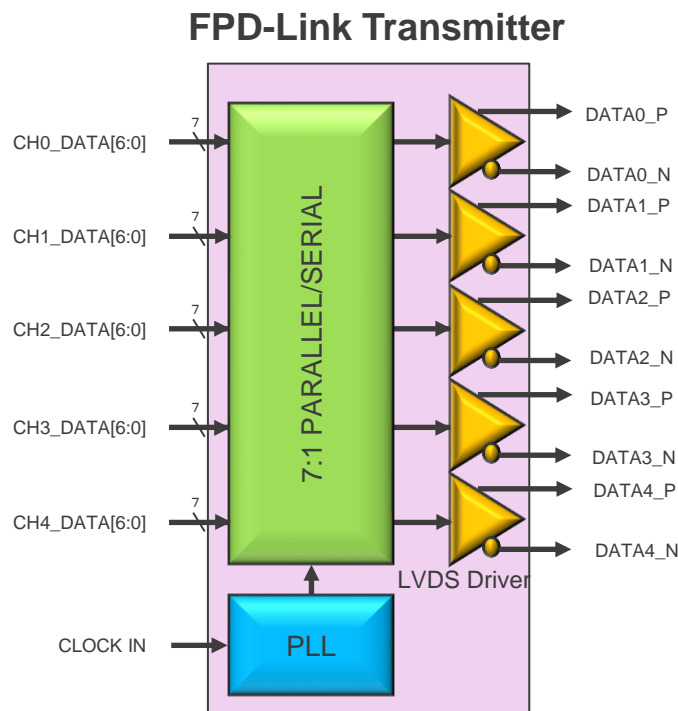
### Overview

The Renesas FPD-Link Transmitter is useful 5 Channel LVDS Driver and 7:1 PARALLEL to SERIAL Converting of TSMC 28nm HPC process. This macro can be select CLOCK Channel.

### Key Features

- Renesas FPD-Link Transmitter can be used for analog transmitter of following interface .
  - ANSI/TIA/EIA-644
- Technology is TSMC 28nm HPC 1p9M (4x2y2r).
- Supply voltage can be applied 1.0V for overdrive of core voltage, 1.8V for IO voltage.
- With an input clock at 75MHz and input data at 150Mbps, the maximum transmission data rate of each channel is 1.05Gbps.

### Block Diagram



\*Before purchasing or using any Renesas Electronics products listed herein, please refer to the latest product manual and/or data sheet in advance.

CTPD-24-062  
R06PF0064EJ0200