

ISL3159E

±15kV ESD Protected, +125°C, 40Mbps, 5V, PROFIBUS, Full Fail-Safe, RS-485/RS-422 Transceiver

FN6364  
Rev.3.00  
Aug 28, 2017

The [ISL3159E](#) is a ±15kV IEC61000 ESD protected, 5V powered, single transceiver that meets both the RS-485 and RS-422 standards for balanced communication. It also features the larger output voltage and higher data rate (up to 40Mbps) required by high speed PROFIBUS applications, and is offered in industrial and extended Industrial (-40°C to +125°C) temperature ranges. The low bus currents (+220µA/-150µA) present a 1/5 unit load to the RS-485 bus. This allows up to 160 transceivers on the network without violating the RS-485 specification's load limit and without using repeaters.

This transceiver requires a 5V ±10% tolerance supply, and delivers at least a 2.1V differential output voltage over this supply range. This translates into better noise immunity (data integrity), longer reach, or the ability to drive up to six 120Ω terminations in "star" or other nonstandard bus topologies, at the exceptional 40Mbps data rate.

SCSI applications benefit from the ISL3159E's low receiver and transmitter part-to-part skews. The ISL3159E is perfect for high speed parallel applications requiring simultaneous capture of large numbers of bits. The low bit-to-bit skew eases the timing constraints on the data latching signal.

Receiver (Rx) inputs feature a "full fail-safe" design, which ensures a logic high Rx output if Rx inputs are floating, shorted, or terminated but undriven. Rx outputs feature high drive levels (typically >30mA at V<sub>OL</sub> = 1V) to ease the design of optically isolated interfaces.

Hot plug circuitry ensures that the Tx and Rx outputs remain in a high impedance state while the power supply stabilizes.

Driver (Tx) outputs are short-circuit protected, even for voltages exceeding the power supply voltage. Additionally, on-chip thermal shutdown circuitry disables the Tx outputs to prevent damage if power dissipation becomes excessive.

**Related Literature**

- For a full list of related documents, refer to our website
- [ISL3159E](#) product page

**Features**

- IEC61000 ESD protection on RS-485 I/O pins ..... ±15kV
- Class 3 HBM ESD level on all other pins ..... >9kV
- Large differential V<sub>OUT</sub> ..... 2.8V into 54Ω
- Better noise immunity, or drive up to 6 terminations
- High data rates ..... up to 40Mbps
- Specified for +125°C operation
- 11/13ns (maximum) Tx/Rx propagation delays; 1.5ns (maximum) skew
- 1/5 unit load allows up to 160 devices on the bus
- Full fail-safe (open, shorted, terminated/undriven) receiver
- High Rx I<sub>OL</sub> to drive optocouplers for isolated applications
- Hot plug - Tx and Rx outputs remain three-state during power-up
- Low quiescent supply current ..... 4mA
- Low current shutdown mode ..... 1µA
- -7V to +12V common-mode input voltage range
- Three-state Rx and Tx outputs
- Operates from a single +5V supply (10% tolerance)
- Current limiting and thermal shutdown for driver overload protection
- Pb-free (RoHS compliant)

**Applications**

- PROFIBUS DP and FMS networks
- SCSI "fast 40" drivers and receivers
- Motor controller/position encoder systems
- Factory automation
- Field bus networks
- Security networks
- Building environmental control systems
- Industrial/process control networks

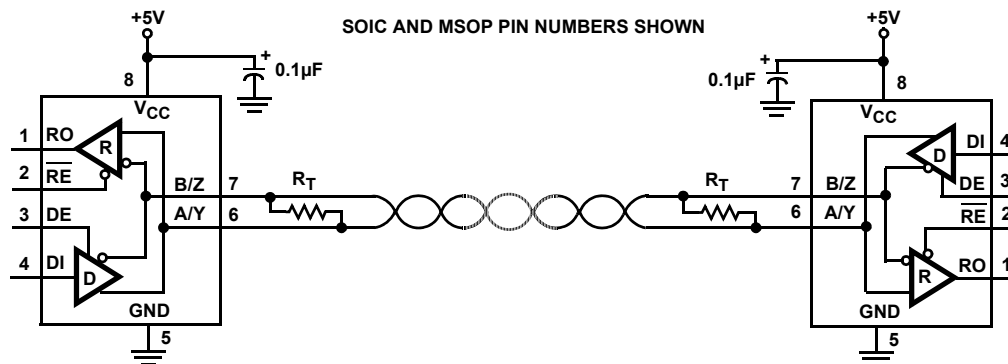


FIGURE 1. TYPICAL OPERATING CIRCUIT

## Ordering Information

| PART NUMBER<br>(Notes 3, 4) | PART MARKING | TEMP. RANGE<br>(°C) | PACKAGE<br>(RoHS Compliant) | PKG. DWG. # |
|-----------------------------|--------------|---------------------|-----------------------------|-------------|
| ISL3159EIBZ (Note 1)        | 3159 EIBZ    | -40 to +85          | 8 Ld SOIC                   | M8.15       |
| ISL3159EIUZ (Note 1)        | 3159Z        | -40 to +85          | 8 Ld MSOP                   | M8.118      |
| ISL3159EIRZ (Note 2)        | 159Z         | -40 to +85          | 10 Ld DFN                   | L10.3x3C    |
| ISL3159EFBZ (Note 1)        | 3159 EFBZ    | -40 to +125         | 8 Ld SOIC                   | M8.15       |
| ISL3159EFUZ (Note 1)        | 159FZ        | -40 to +125         | 8 Ld MSOP                   | M8.118      |
| ISL3159EFRZ (Note 2)        | 59FZ         | -40 to +125         | 10 Ld DFN                   | L10.3x3C    |

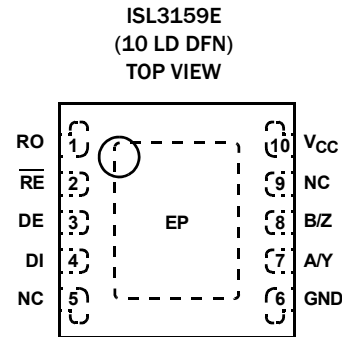
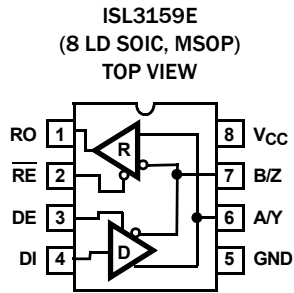
NOTES:

1. Add "-T" suffix for 2.5k unit or "-T7A" suffix for 250 unit tape and reel options. Refer to [TB347](#) for details on reel specifications.
2. Add "-T" suffix for 6k unit or "-T7A" suffix for 250 unit tape and reel options. Refer to [TB347](#) for details on reel specifications.
3. Intersil Pb-free plus anneal products employ special Pb-free material sets; molding compounds/die attach materials and 100% matte tin plate termination finish, which are RoHS compliant and compatible with both SnPb and Pb-free soldering operations. Intersil Pb-free products are MSL classified at Pb-free peak reflow temperatures that meet or exceed the Pb-free requirements of IPC/JEDEC J STD-020.
4. For Moisture Sensitivity Level (MSL), refer to the product information page for the [ISL3159E](#). For more information on MSL, refer to [TB363](#).

TABLE 1. KEY DIFFERENCES BETWEEN HIGH-SPEED INTERFACE FAMILY OF PARTS

| PART NUMBER | FULL/HALF DUPLEX | VCC<br>(V) | VOD<br>(V) | DATA RATE<br>(Mbps) |
|-------------|------------------|------------|------------|---------------------|
| ISL3179E    | Half             | 3.3        | 1.5        | 40                  |
| ISL3180E    | Full             | 3.3        | 1.5        | 40                  |
| ISL3159E    | Half             | 5          | 2.1        | 40                  |
| ISL3259E    | Half             | 5          | 2.1        | 100                 |

## Pin Configurations



## Truth Table

| TRANSMITTING |    |    |          |          |
|--------------|----|----|----------|----------|
| INPUTS       |    |    | OUTPUTS  |          |
| RE           | DE | DI | B/Z      | A/Y      |
| X            | 1  | 1  | 0        | 1        |
| X            | 1  | 0  | 1        | 0        |
| 0            | 0  | X  | High-Z   | High-Z   |
| 1            | 0  | X  | High-Z * | High-Z * |

NOTE: \*Shutdown mode

## Truth Table

| RECEIVING |    |                           |              |
|-----------|----|---------------------------|--------------|
| INPUTS    |    |                           | OUTPUT       |
| RE        | DE | A-B                       | RO           |
| 0         | 0  | $V_{AB} \geq -0.05V$      | 1            |
| 0         | 0  | $-0.05V > V_{AB} > -0.2V$ | Undetermined |
| 0         | 0  | $V_{AB} \leq -0.2V$       | 0            |
| 0         | 0  | Inputs Open/Shorted       | 1            |
| 1         | 1  | X                         | High-Z       |
| 1         | 0  | X                         | High-Z*      |

NOTE: \*Shutdown mode

## Pin Descriptions

| PIN                    | FUNCTION   |
|------------------------|--|
| RO                     | Receiver output.<br>If $A-B \geq -50\text{mV}$ , RO is high.<br>If $A-B \leq -200\text{mV}$ , RO is low.<br>If A and B are unconnected (floating) or shorted, or connected to a terminated bus that is undriven, RO is high.                         |
| $\overline{\text{RE}}$ | Receiver output enable.<br>RO is enabled when $\overline{\text{RE}}$ is low.<br>RO is high impedance when $\overline{\text{RE}}$ is high.<br>If the Rx enable function isn't required, connect $\overline{\text{RE}}$ directly to GND.               |
| DE                     | Driver output enable. The driver outputs, Y and Z, are enabled by bringing DE high. They are high impedance when DE is low. If the Tx enable function isn't required, connect DE to $V_{\text{CC}}$ through a $1\text{k}\Omega$ or greater resistor. |
| DI                     | Driver input. A low on DI forces output Y low and output Z high. Similarly, a high on DI forces output Y high and output Z low.  |
| GND                    | Ground connection. This is also the potential of the DFN's exposed metal pad.  |
| A/Y                    | $\pm 15\text{kV}$ IEC61000 ESD protected RS-485/422 level, noninverting receiver input and noninverting driver output. This pin is an input (A) if $\text{DE} = 0$ ; pin is an output (Y) if $\text{DE} = 1$ .                                       |
| B/Z                    | $\pm 15\text{kV}$ IEC61000 ESD protected RS-485/422 level, inverting receiver input and inverting driver output. This pin is an input (B) if $\text{DE} = 0$ ; pin is an output (Z) if $\text{DE} = 1$ .   |
| $V_{\text{CC}}$        | System power supply input (4.5V to 5.5V).  |
| NC                     | No internal connection.  |
| EP                     | The exposed metal pad on the bottom of the DFN; connect to GND.  |

## Typical Operating Circuit

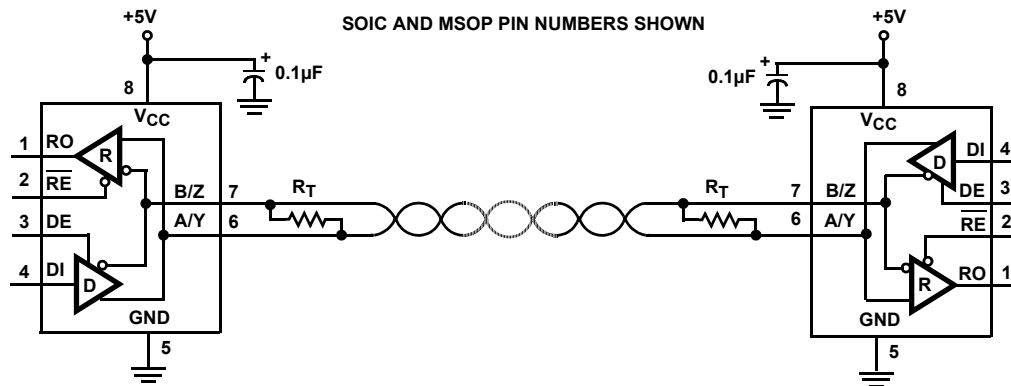


FIGURE 2. TYPICAL OPERATING CIRCUIT

## Absolute Maximum Ratings

|                        |                                      |
|------------------------|--------------------------------------|
| V <sub>CC</sub> to GND | 7V                                   |
| Input Voltages         |                                      |
| DI, DE, RE             | -0.3V to 7V                          |
| Input/Output Voltages  |                                      |
| A/Y, B/Z               | -9V to +13V                          |
| RO                     | -0.3V to (V <sub>CC</sub> + 0.3V)    |
| Short-circuit Duration |                                      |
| Y, Z                   | Continuous                           |
| ESD Rating             | Refer to "Electrical Specifications" |

## Thermal Information

|  |                                |                      |
|--|--------------------------------|----------------------|
| Thermal Resistance (Typical)                   | $\theta_{JA}$ (°C/W)           | $\theta_{JC}$ (°C/W) |
| 8 Ld SOIC Package (Notes 5, 7)                 | 105                            | 60                   |
| 8 Ld MSOP Package (Notes 5, 7)                 | 140                            | 55                   |
| 10 Ld DFN Package (Notes 6, 8)                 | 46                             | 3.5                  |
| Maximum Junction Temperature (Plastic Package) | +150°C                         |                      |
| Maximum Storage Temperature Range              | -65°C to +150°C                |                      |
| Pb-free Reflow Profile                         | Refer to <a href="#">TB493</a> |                      |

## Operating Conditions

|                   |                 |
|-------------------|-----------------|
| Temperature Range |                 |
| ISL3159EF         | -40°C to +125°C |
| ISL3159EI         | -40°C to +85°C  |

CAUTION: Do not operate at or near the maximum ratings listed for extended periods of time. Exposure to such conditions may adversely impact product reliability and result in failures not covered by warranty.

### NOTES:

- $\theta_{JA}$  is measured with the component mounted on a high-effective thermal conductivity test board in free air. Refer to [TB379](#) for details.
- $\theta_{JA}$  is measured in free air with the component mounted on a high-effective thermal conductivity test board with "direct attach" features. Refer to [TB379](#).
- For  $\theta_{JC}$ , the "case temp" location is taken at the package top center.
- For  $\theta_{JC}$ , the "case temp" location is the center of the exposed metal pad on the package underside.

## Electrical Specifications

Test Conditions: V<sub>CC</sub> = 4.5V to 5.5V; unless otherwise specified. Typical values are at V<sub>CC</sub> = 5V, T<sub>A</sub> = +25°C, (Note 9)

| PARAMETER   | SYMBOL            | TEST CONDITIONS   | TEMP (°C)                             | MIN (Note 19) | TYP  | MAX (Note 19)   | UNIT            |    |
|---|-------------------|---|---------------------------------------|---------------|------|-----------------|-----------------|----|
| <b>DC CHARACTERISTICS</b>   |                   |   |                                       |               |      |                 |                 |    |
| Driver Differential V <sub>OUT</sub>  | V <sub>OD</sub>   | No Load   | Full                                  | -             | -    | V <sub>CC</sub> |                 |    |
|   |                   | R <sub>L</sub> = 100Ω (RS-422) ( <a href="#">Figure 3A</a> )  | Full                                  | 2.6           | 3.4  | -               | V               |    |
|   |                   | R <sub>L</sub> = 54Ω (RS-485) ( <a href="#">Figure 3A</a> )   | I Suffix                              | Full          | 2.1  | 2.8             | V <sub>CC</sub> | V  |
|   |                   |   | F Suffix, ( <a href="#">Note 18</a> ) | Full          | 2.1  | 2.8             | V <sub>CC</sub> | V  |
|   |                   | R <sub>L</sub> = 60Ω, -7V ≤ V <sub>CM</sub> ≤ 12V ( <a href="#">Figure 3B</a> , <a href="#">Note 18</a> ) | Full                                  | 1.9           | 2.7  | -               | V               |    |
| Change in Magnitude of Driver Differential V <sub>OUT</sub> for Complementary Output States | ΔV <sub>OD</sub>  | R <sub>L</sub> = 54Ω or 100Ω ( <a href="#">Figure 3A</a> )  | Full                                  | -             | 0.01 | 0.2             | V               |    |
| Driver Common-Mode V <sub>OUT</sub>   | V <sub>OC</sub>   | R <sub>L</sub> = 54Ω or 100Ω ( <a href="#">Figure 3A</a> , <a href="#">Note 18</a> )                      | Full                                  | -             | 2    | 3               | V               |    |
| Change in Magnitude of Driver Common-Mode V <sub>OUT</sub> for Complementary Output States  | ΔV <sub>OC</sub>  | R <sub>L</sub> = 54Ω or 100Ω ( <a href="#">Figure 3A</a> )  | Full                                  | -             | 0.01 | 0.2             | V               |    |
| Logic Input High Voltage  | V <sub>IH</sub>   | DI, DE, RE  | Full                                  | 2             | -    | -               | V               |    |
| Logic Input Low Voltage   | V <sub>IL</sub>   | DI, DE, RE  | Full                                  | -             | -    | 0.8             | V               |    |
| Logic Input Current   | I <sub>IN1</sub>  | DI = DE = RE = 0V or V <sub>CC</sub>  | Full                                  | -2            | -    | 2               | μA              |    |
| Input Current (A/Y, B/Z)  | I <sub>IN2</sub>  | DE = 0V, V <sub>CC</sub> = 0V or 5.5V   | V <sub>IN</sub> = 12V                 | Full          | -    | -               | 220             | μA |
|   |                   |   | V <sub>IN</sub> = -7V                 | Full          | -160 | -               | -               | μA |
| Driver Short-Circuit Current, V <sub>O</sub> = High or Low                                  | I <sub>OSD1</sub> | DE = V <sub>CC</sub> , -7V ≤ V <sub>Y</sub> or V <sub>Z</sub> ≤ 12V ( <a href="#">Note 11</a> )           | Full                                  | -             | -    | ±250            | mA              |    |
| Differential Capacitance  | C <sub>D</sub>    | A/Y to B/Z  | 25                                    | -             | 9    | -               | pF              |    |
| Receiver Differential Threshold Voltage   | V <sub>TH</sub>   | -7V ≤ V <sub>CM</sub> ≤ 12V   | Full                                  | -200          | -    | -50             | mV              |    |

**Electrical Specifications** Test Conditions:  $V_{CC} = 4.5V$  to  $5.5V$ ; unless otherwise specified. Typical values are at  $V_{CC} = 5V$ ,  $T_A = +25^\circ C$ , (Note 9) (Continued)

| PARAMETER   | SYMBOL                | TEST CONDITIONS   | TEMP<br>(°C) | MIN<br>(Note 19) | TYP         | MAX<br>(Note 19) | UNIT       |
|---|-----------------------|---|--------------|------------------|-------------|------------------|------------|
| Receiver Input Hysteresis                               | $\Delta V_{TH}$       | $V_{CM} = 0V$   | 25           | -                | 28          | -                | mV         |
| Receiver Output High Voltage                            | $V_{OH}$              | $I_O = -8mA$ , $V_{ID} = -50mV$   | Full         | $V_{CC} - 0.5$   | -           | -                | V          |
| Receiver Output Low Voltage                             | $V_{OL}$              | $I_O = +10mA$ , $V_{ID} = -200mV$   | Full         | -                | -           | 0.4              | V          |
| Receiver Output Low Current                             | $I_{OL}$              | $V_{OL} = 1V$ , $V_{ID} = -200mV$   | Full         | 25               | 40          | -                | mA         |
| Three-state (high impedance)<br>Receiver Output Current | $I_{OZR}$             | $0.4V \leq V_O \leq 2.4V$   | Full         | -1               | 0.015       | 1                | $\mu A$    |
| Receiver Input Resistance                               | $R_{IN}$              | $-7V \leq V_{CM} \leq 12V$  | Full         | 54               | 80          | -                | k $\Omega$ |
| Receiver Short-Circuit Current                          | $I_{OSR}$             | $0V \leq V_O \leq V_{CC}$   | Full         | $\pm 20$         | -           | $\pm 110$        | mA         |
| <b>SUPPLY CURRENT</b>                                   |                       |   |              |                  |             |                  |            |
| No-Load Supply Current (Note 10)                        | $I_{CC}$              | $DI = DE = 0V$ or $V_{CC}$  | Full         | -                | 2.6         | 4                | mA         |
| Shutdown Supply Current                                 | $I_{SHDN}$            | $DE = 0V$ , $\overline{RE} = V_{CC}$ , $DI = 0V$ or $V_{CC}$              | Full         | -                | 0.05        | 1                | $\mu A$    |
| <b>ESD PERFORMANCE</b>                                  |                       |   |              |                  |             |                  |            |
| RS-485 Pins (A/Y, B/Z)                                  |                       | IEC61000-4-2, Air-Gap Discharge Method                                    | 25           | -                | $\pm 15$    | -                | kV         |
|   |                       | IEC61000-4-2, Contact Discharge Method                                    | 25           | -                | $\pm 8$     | -                | kV         |
|   |                       | Human Body Model, From Bus Pins to GND                                    | 25           | -                | $\pm 16.5$  | -                | kV         |
| All Pins  |                       | HBM, per MIL-STD-883 Method 3015  | 25           | -                | $> \pm 9$   | -                | kV         |
|   |                       | Machine Model   | 25           | -                | $> \pm 400$ | -                | V          |
| <b>DRIVER SWITCHING CHARACTERISTICS</b>                 |                       |   |              |                  |             |                  |            |
| Maximum Data Rate                                       | $f_{MAX}$             | $V_{OD} \geq \pm 1.5V$ , $R_D = 54\Omega$ , $C_L = 100pF$ (Figure 6)      | Full         | 40               | -           | -                | Mbps       |
| Driver Differential Output Delay                        | $t_{DD}$              | $R_D = 54\Omega$ , $C_D = 50pF$ (Figure 4)                                | Full         | -                | 8           | 12               | ns         |
| Driver Differential Output Skew                         | $t_{SKEW}$            | $R_D = 54\Omega$ , $C_D = 50pF$ (Figure 4)                                | Full         | -                | 0.5         | 1.5              | ns         |
| Prop Delay Part-to-Part Skew                            | $t_{SKP-P}$           | $R_D = 54\Omega$ , $C_D = 50pF$ (Figure 4, Note 17)                       | Full         | -                | -           | 4                | ns         |
| Driver Differential Rise or Fall Time                   | $t_R$ , $t_F$         | $R_D = 54\Omega$ , $C_D = 50pF$ (Figure 4)                                | Full         | 2                | 5           | 8                | ns         |
| Driver Enable to Output High                            | $t_{ZH}$              | $R_L = 110\Omega$ , $C_L = 50pF$ , $SW = GND$ (Figure 5, Note 12)         | Full         | -                | 13          | 20               | ns         |
| Driver Enable to Output Low                             | $t_{ZL}$              | $R_L = 110\Omega$ , $C_L = 50pF$ , $SW = V_{CC}$ (Figure 5, Note 12)      | Full         | -                | 11          | 20               | ns         |
| Driver Enable Time Skew                                 | $t_{ENSKEW}$          | $ t_{ZH} (Y \text{ or } Z) - t_{ZL} (Z \text{ or } Y) $                   | Full         | -                | 2.5         | -                | ns         |
| Driver Disable from Output High                         | $t_{HZ}$              | $R_L = 110\Omega$ , $C_L = 50pF$ , $SW = GND$ (Figure 5)                  | Full         | -                | 14          | 20               | ns         |
| Driver Disable from Output Low                          | $t_{LZ}$              | $R_L = 110\Omega$ , $C_L = 50pF$ , $SW = V_{CC}$ (Figure 5)               | Full         | -                | 12          | 20               | ns         |
| Driver Disable Time Skew                                | $t_{DISSKEW}$         | $ t_{HZ} (Y \text{ or } Z) - t_{LZ} (Z \text{ or } Y) $                   | Full         | -                | 3           | -                | ns         |
| Time to Shutdown  | $t_{SHDN}$            | (Note 14)   | Full         | 60               | -           | 600              | ns         |
| Driver Enable from Shutdown to Output High              | $t_{ZH(SHDN)}$        | $R_L = 110\Omega$ , $C_L = 50pF$ , $SW = GND$ (Figure 5, Notes 14, 15)    | Full         | -                | -           | 1000             | ns         |
| Driver Enable from Shutdown to Output Low               | $t_{ZL(SHDN)}$        | $R_L = 110\Omega$ , $C_L = 50pF$ , $SW = V_{CC}$ (Figure 5, Notes 14, 15) | Full         | -                | -           | 1000             | ns         |
| <b>RECEIVER SWITCHING CHARACTERISTICS</b>               |                       |   |              |                  |             |                  |            |
| Maximum Data Rate                                       | $f_{MAX}$             | $V_{ID} = \pm 1.5V$   | Full         | 40               | -           | -                | Mbps       |
| Receiver Input to Output Delay                          | $t_{PLH}$ , $t_{PHL}$ | (Figure 7)  | Full         | -                | 9           | 13               | ns         |
| Receiver Skew $ t_{PLH} - t_{PHL} $                     | $t_{SKD}$             | (Figure 7)  | Full         | -                | 0           | 1.5              | ns         |
| Prop Delay Part-to-Part Skew                            | $t_{SKP-P}$           | (Figure 7, Note 17)   | Full         | -                | -           | 4                | ns         |

## Electrical Specifications

Test Conditions:  $V_{CC} = 4.5V$  to  $5.5V$ ; unless otherwise specified. Typical values are at  $V_{CC} = 5V$ ,  $T_A = +25^\circ C$ , (Note 9) (Continued)

| PARAMETER                                    | SYMBOL         | TEST CONDITIONS   | TEMP<br>( $^\circ C$ ) | MIN<br>(Note 19) | TYP | MAX<br>(Note 19) | UNIT |
|--|----------------|---|------------------------|------------------|-----|------------------|------|
| Receiver Enable to Output High               | $t_{ZH}$       | $R_L = 1k\Omega$ , $C_L = 15pF$ , SW = GND<br>(Figure 8, Note 13)           | Full                   | -                | -   | 12               | ns   |
| Receiver Enable to Output Low                | $t_{ZL}$       | $R_L = 1k\Omega$ , $C_L = 15pF$ , SW = $V_{CC}$<br>(Figure 8, Note 13)      | Full                   | -                | -   | 12               | ns   |
| Receiver Disable from Output High            | $t_{HZ}$       | $R_L = 1k\Omega$ , $C_L = 15pF$ , SW = GND (Figure 8)                       | Full                   | -                | -   | 12               | ns   |
| Receiver Disable from Output Low             | $t_{LZ}$       | $R_L = 1k\Omega$ , $C_L = 15pF$ , SW = $V_{CC}$ (Figure 8)                  | Full                   | -                | -   | 12               | ns   |
| Time to Shutdown                             | $t_{SHDN}$     | (Note 14)   | Full                   | 60               | -   | 600              | ns   |
| Receiver Enable from Shutdown to Output High | $t_{ZH}(SHDN)$ | $R_L = 1k\Omega$ , $C_L = 15pF$ , SW = GND<br>(Figure 8, Notes 14, 16)      | Full                   | -                | -   | 1000             | ns   |
| Receiver Enable from Shutdown to Output Low  | $t_{ZL}(SHDN)$ | $R_L = 1k\Omega$ , $C_L = 15pF$ , SW = $V_{CC}$<br>(Figure 8, Notes 14, 16) | Full                   | -                | -   | 1000             | ns   |

### NOTES:

- All currents into device pins are positive; all currents out of device pins are negative. All voltages are referenced to device ground unless otherwise specified.
- Supply current specification is valid for loaded drivers when  $DE = 0V$ .
- Applies to peak current. Refer to "Typical Performance Curves" on page 8 for more information.
- Because of the shutdown feature, keep  $\overline{RE} = 0$  to prevent the device from entering SHDN.
- Because of the shutdown feature, the  $\overline{RE}$  signal high time must be short enough (typically  $<100ns$ ) to prevent the device from entering SHDN.
- These ICs are put into shutdown by bringing  $\overline{RE}$  high and  $DE$  low. If the inputs are in this state for less than  $60ns$ , the parts are guaranteed not to enter shutdown. If the inputs are in this state for at least  $700ns$ , the parts are guaranteed to have entered shutdown. See "Low Power Shutdown Mode" on page 12.
- Keep  $\overline{RE} = V_{CC}$ , and set the  $DE$  signal low time  $>700ns$  to ensure that the device enters SHDN.
- Set the  $\overline{RE}$  signal high time  $>700ns$  to ensure that the device enters SHDN.
- This is the part-to-part skew between any two units tested with identical test conditions (temperature,  $V_{CC}$ , etc.).
- $V_{CC} = 5V \pm 5\%$
- Parts are 100% tested at  $+25^\circ C$ . Over-temperature limits established by characterization and are not production tested.

## Test Circuits and Waveforms

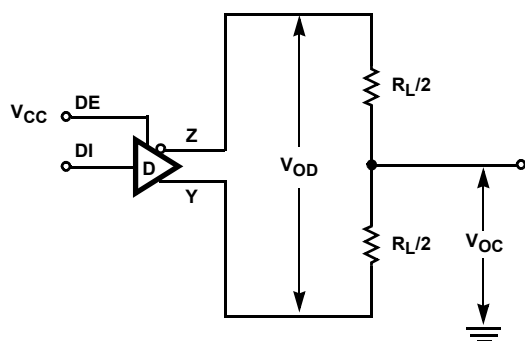


FIGURE 3A.  $V_{OD}$  AND  $V_{OC}$

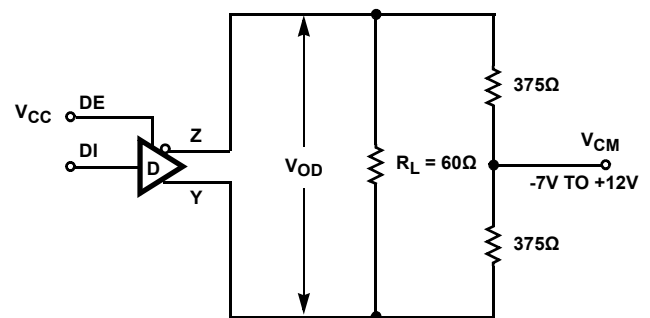


FIGURE 3B.  $V_{OD}$  WITH COMMON-MODE LOAD

FIGURE 3. DC DRIVER TEST CIRCUITS

# Test Circuits and Waveforms (Continued)

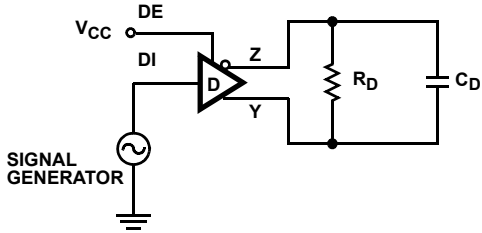


FIGURE 4A. TEST CIRCUIT

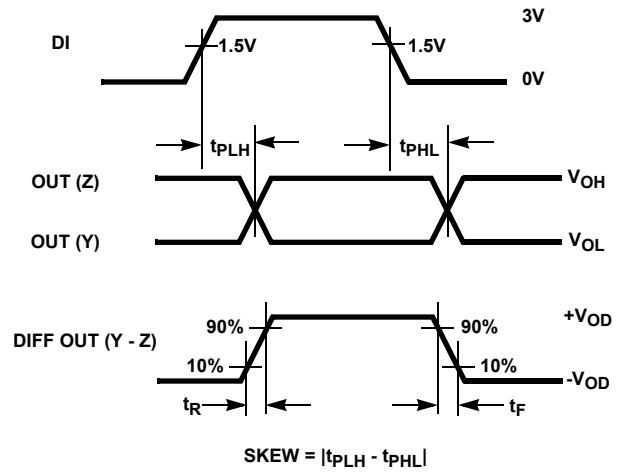
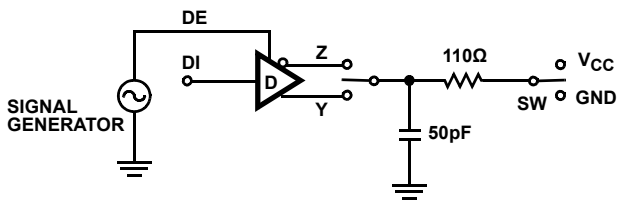


FIGURE 4B. MEASUREMENT POINTS

FIGURE 4. DRIVER PROPAGATION DELAY AND DIFFERENTIAL TRANSITION TIMES



| PARAMETER      | OUTPUT | RE          | DI  | SW       |
|----------------|--------|-------------|-----|----------|
| $t_{HZ}$       | Y/Z    | X           | 1/0 | GND      |
| $t_{LZ}$       | Y/Z    | X           | 0/1 | $V_{CC}$ |
| $t_{ZH}$       | Y/Z    | 0 (Note 12) | 1/0 | GND      |
| $t_{ZL}$       | Y/Z    | 0 (Note 12) | 0/1 | $V_{CC}$ |
| $t_{HZ(SHDN)}$ | Y/Z    | 1 (Note 15) | 1/0 | GND      |
| $t_{LZ(SHDN)}$ | Y/Z    | 1 (Note 15) | 0/1 | $V_{CC}$ |

FIGURE 5A. TEST CIRCUIT

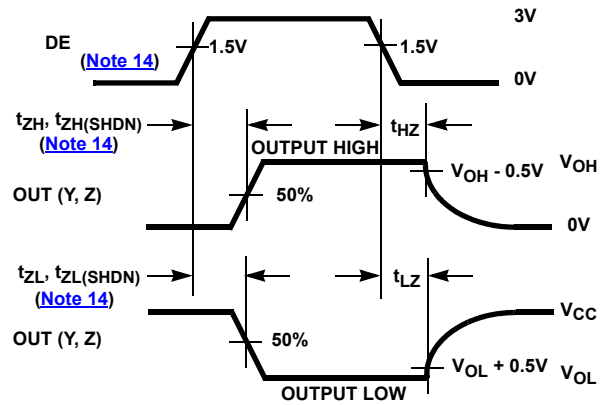


FIGURE 5B. MEASUREMENT POINTS

FIGURE 5. DRIVER ENABLE AND DISABLE TIMES

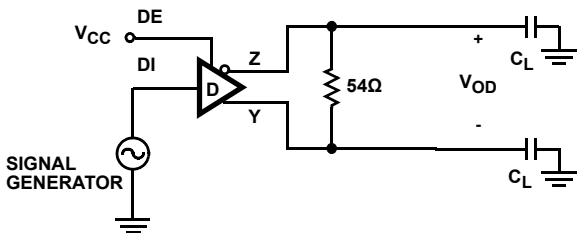


FIGURE 6A. TEST CIRCUIT

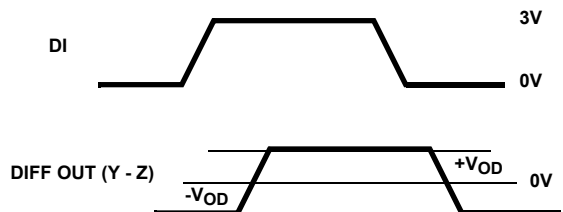


FIGURE 6B. MEASUREMENT POINTS

FIGURE 6. DRIVER DATA RATE

## Test Circuits and Waveforms (Continued)

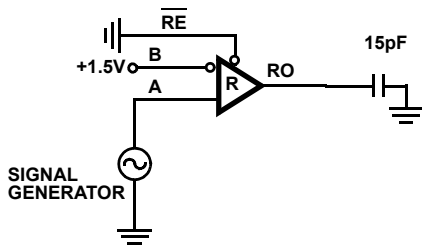


FIGURE 7A. TEST CIRCUIT

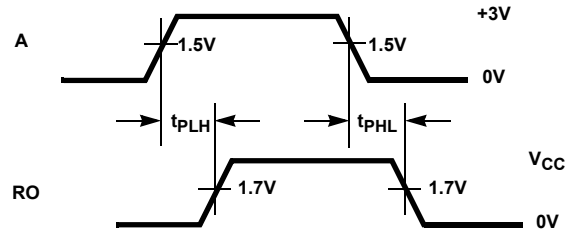
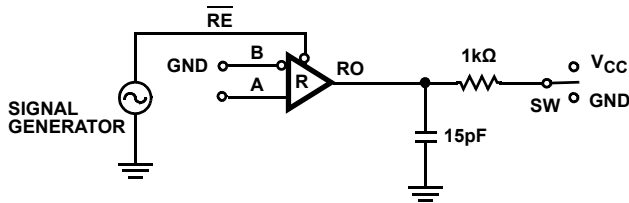


FIGURE 7B. MEASUREMENT POINTS

FIGURE 7. RECEIVER PROPAGATION DELAY



| PARAMETER                | DE | A     | SW       |
|--------------------------|----|-------|----------|
| $t_{HZ}$                 | 0  | +1.5V | GND      |
| $t_{LZ}$                 | 0  | -1.5V | $V_{CC}$ |
| $t_{ZH}$ (Note 13)       | 0  | +1.5V | GND      |
| $t_{ZL}$ (Note 13)       | 0  | -1.5V | $V_{CC}$ |
| $t_{HZ(SHDN)}$ (Note 16) | 0  | +1.5V | GND      |
| $t_{LZ(SHDN)}$ (Note 16) | 0  | -1.5V | $V_{CC}$ |

FIGURE 8A. TEST CIRCUIT

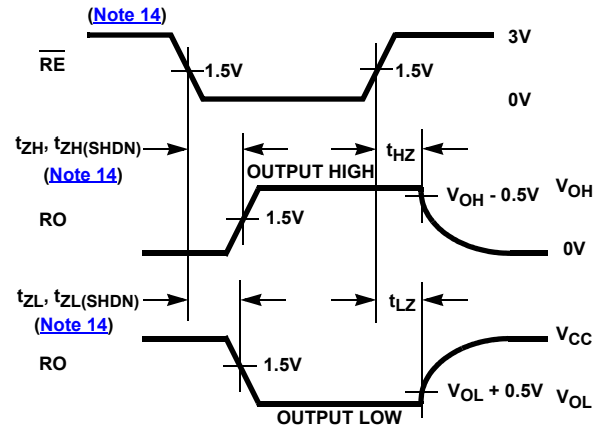


FIGURE 8B. MEASUREMENT POINTS

FIGURE 8. RECEIVER ENABLE AND DISABLE TIMES

## Typical Performance Curves

$V_{CC} = 5V, T_A = +25^\circ C$ ; unless otherwise specified

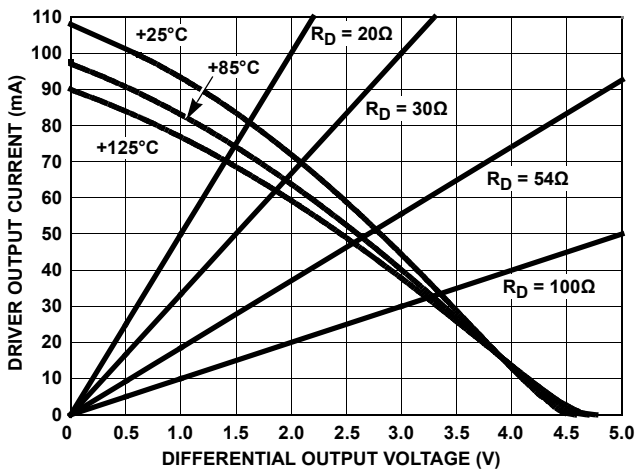


FIGURE 9. DRIVER OUTPUT CURRENT vs DIFFERENTIAL OUTPUT VOLTAGE

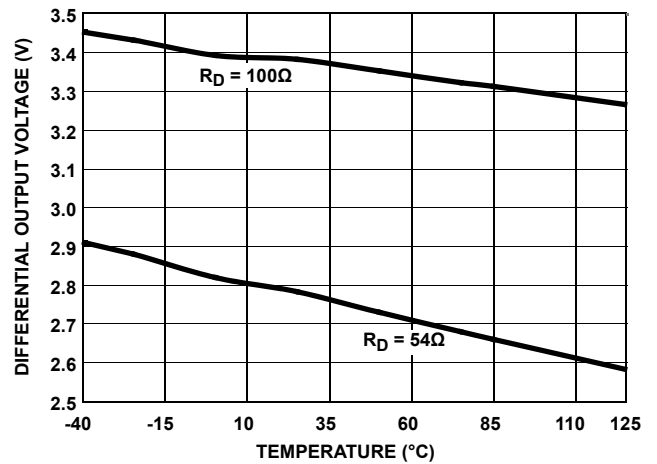


FIGURE 10. DRIVER DIFFERENTIAL OUTPUT VOLTAGE vs TEMPERATURE



**Typical Performance Curves**  $V_{CC} = 5V, T_A = +25^\circ C$ ; unless otherwise specified (Continued)

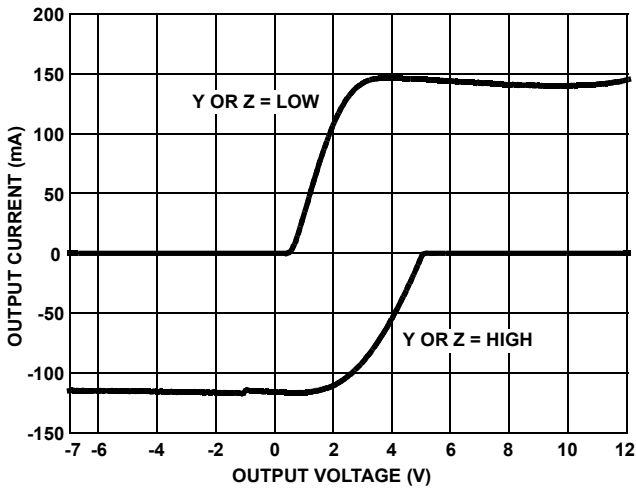


FIGURE 11. DRIVER OUTPUT CURRENT vs SHORT-CIRCUIT VOLTAGE

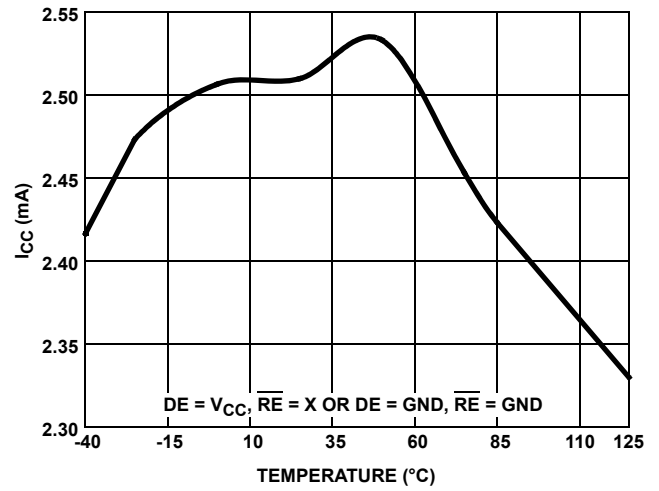


FIGURE 12. SUPPLY CURRENT vs TEMPERATURE

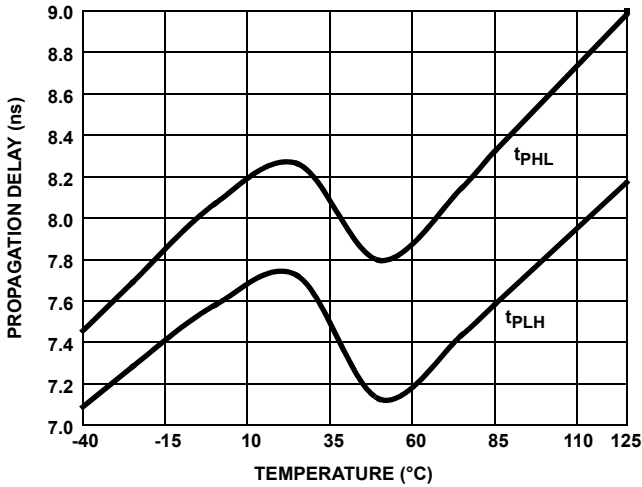


FIGURE 13. DRIVER DIFFERENTIAL PROPAGATION DELAY vs TEMPERATURE

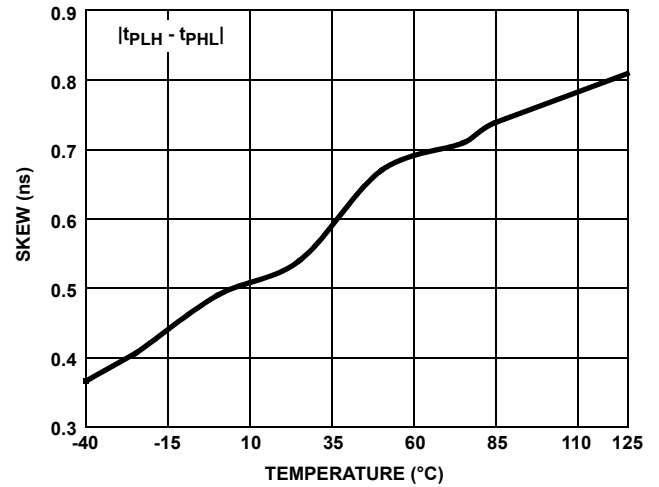


FIGURE 14. DRIVER DIFFERENTIAL SKEW vs TEMPERATURE

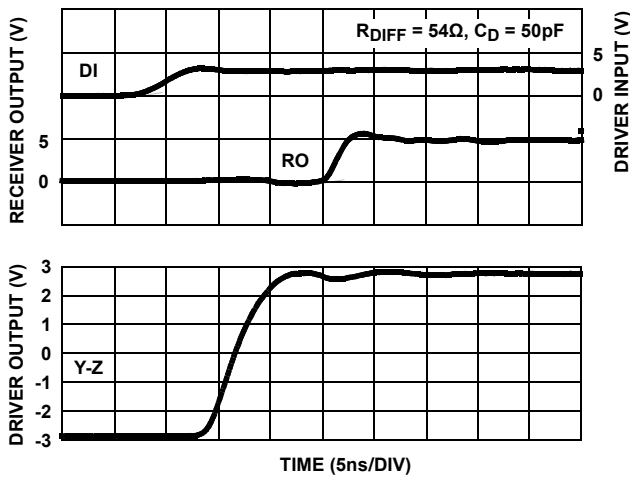


FIGURE 15. DRIVER AND RECEIVER WAVEFORMS

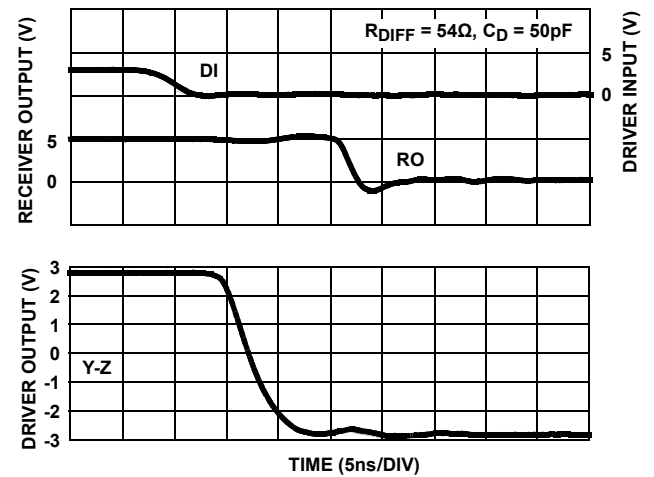
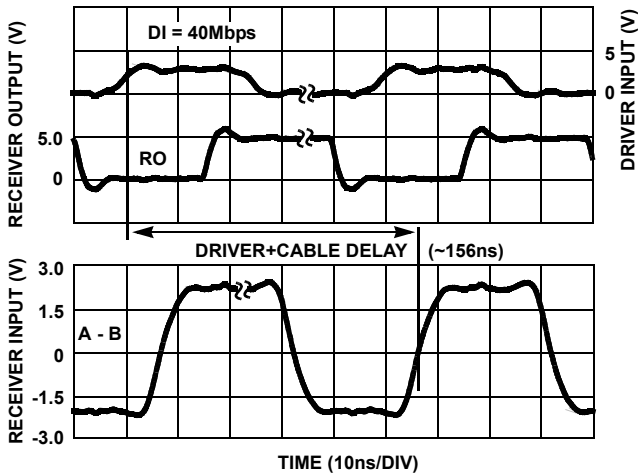
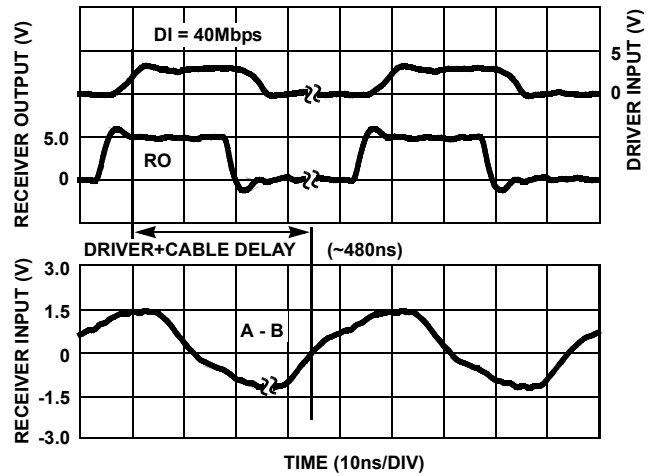


FIGURE 16. DRIVER AND RECEIVER WAVEFORMS

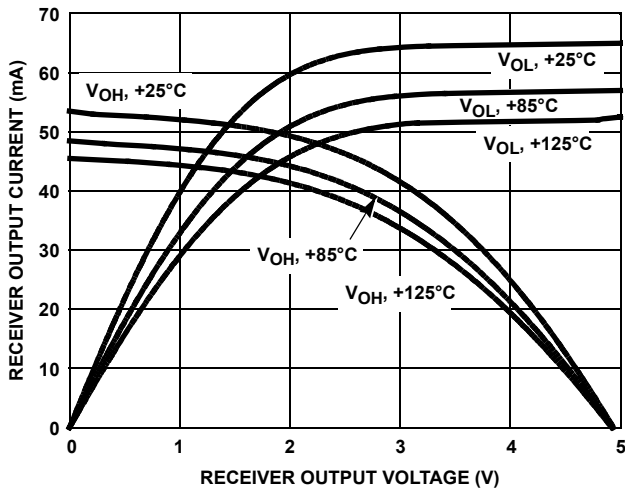
**Typical Performance Curves**  $V_{CC} = 5V, T_A = +25^\circ C$ ; unless otherwise specified (Continued)



**FIGURE 17. DRIVER AND RECEIVER WAVEFORMS DRIVING 100 FEET (31 METERS) OF CAT5 CABLE (DOUBLE TERMINATED WITH 120Ω)**



**FIGURE 18. DRIVER AND RECEIVER WAVEFORMS DRIVING 350 FEET (107 METERS) OF CAT5 CABLE (DOUBLE TERMINATED WITH 120Ω)**



**FIGURE 19. RECEIVER OUTPUT CURRENT vs RECEIVER OUTPUT VOLTAGE**

**Die Characteristics**

**SUBSTRATE AND DFN THERMAL PAD POTENTIAL (POWERED UP)**

GND

**PROCESS**

Si Gate BiCMOS

## Application Information

RS-485 and RS-422 are differential (balanced) data transmission standards for use in long haul or noisy environments. RS-422 is a subset of RS-485, so RS-485 transceivers are also RS-422 compliant. RS-422 is a point-to-multipoint (multidrop) standard, which allows only one driver and up to 10 receivers on each bus, assuming one unit load devices. RS-485 is a true multipoint standard, which allows up to 32 one unit load devices (any mix of drivers and receivers) on each bus. To allow for multipoint operation, the RS-485 specification requires that drivers must handle bus contention without sustaining any damage.

Another important advantage of RS-485 is the extended Common-Mode Range (CMR), which specifies that the driver outputs and receiver inputs withstand signals that range from +12V to -7V. RS-422 and RS-485 are intended for cable lengths as long as 4000ft (~1200m), so the wide CMR is necessary to handle ground potential differences, as well as voltages induced in the cable by external fields.

### Receiver (Rx) Features

This transceiver utilizes a differential input receiver for maximum noise immunity and common-mode rejection. Input sensitivity is  $\pm 200\text{mV}$ , as required by the RS-422 and RS-485 specifications. Receiver inputs function with common-mode voltages as great as 7V outside the power supplies (that is, +12V and -7V), making them ideal for long networks, or industrial environments, where induced voltages are a realistic concern.

The receiver input resistance of  $50\text{k}\Omega$  surpasses the RS-422 specification of  $4\text{k}\Omega$ , and is five times the RS-485 "Unit Load" (UL) requirement of  $12\text{k}\Omega$  minimum. Thus, the ISL3159E is known as a "one-fifth UL" transceiver, and there can be up to 160 devices on the RS-485 bus while still complying with the RS-485 loading specification.

The receiver is a "full fail-safe" version that guarantees a high level receiver output if the receiver inputs are unconnected (floating), shorted together, or connected to a terminated bus with all the transmitters disabled (terminated/undriven).

Rx outputs deliver large low state currents (typically  $>30\text{mA}$ ) at  $V_{OL} = 1\text{V}$  (to ease the design of optically coupled isolated networks).

Receivers easily meet the 40Mbps data rate supported by the driver, and the receiver output is tri-statable using the active low  $\overline{\text{RE}}$  input.

### Driver (Tx) Features

The RS-485/RS-422 driver is a differential output device that delivers at least 2.1V across a  $54\Omega$  load (RS-485/PROFIBUS), and at least 2.6V across a  $100\Omega$  load (RS-422) even with  $V_{CC} = 4.5\text{V}$ . The drivers feature low propagation delay skew to maximize bit width and to minimize EMI.

Driver outputs are not slew rate limited, so faster output transition times allow data rates of at least 40Mbps. Driver outputs are tri-statable using the active high DE input.

For parallel applications, bit-to-bit skews between any two ISL3159E transmitter and receiver pairs are guaranteed to be no worse than 8ns (4ns max for any two Tx, 4ns max for any two Rx).

### High $V_{OD}$ Improves Noise Immunity and Flexibility

The ISL3159E driver design delivers larger differential output voltages ( $V_{OD}$ ) than the RS-485 standard requires, or than most RS-485 transmitters can deliver. The minimum  $\pm 2.1\text{V}$   $V_{OD}$  guarantees at least  $\pm 600\text{mV}$  more noise immunity than networks built using standard 1.5V  $V_{OD}$  transmitters.

Another advantage of the large  $V_{OD}$  is the ability to drive more than two bus terminations, which allows use of the ISL3159E in "star" and other multiterminated, nonstandard network topologies. [Figure 9 on page 8](#) details the transmitter's  $V_{OD}$  vs  $I_{OUT}$  characteristic, and includes load lines for four ( $30\Omega$ ) and six ( $20\Omega$ )  $120\Omega$  terminations. [Figure 9](#) shows that the driver typically delivers 1.9/1.5V into 4/6 terminations, even at  $+85^\circ\text{C}$ . The RS-485 standard requires a minimum 1.5V  $V_{OD}$  into two terminations, but the ISL3159E typically delivers RS-485 voltage levels with 2x to 3x the number of terminations.

### ESD Protection

All pins on the ISL3159E include Class 3 ( $>9\text{kV}$ ) Human Body Model (HBM) ESD protection structures, but the RS-485 pins (driver outputs and receiver inputs) incorporate advanced structures allowing them to survive ESD events in excess of  $\pm 16.5\text{kV}$  HBM and  $\pm 15\text{kV}$  IEC61000-4-2. The RS-485 pins are particularly vulnerable to ESD strikes because they typically connect to an exposed port on the exterior of the finished product. Simply touching the port pins, or connecting a cable, can cause an ESD event that can destroy unprotected ICs. These new ESD structures protect the device whether or not it is powered up and without degrading the RS-485 common-mode range of -7V to +12V. This built-in ESD protection eliminates the need for board level protection structures (for example, transient suppression diodes) and the associated, undesirable capacitive load they present.

### IEC61000-4-2 Testing

The IEC61000 test method applies to finished equipment, rather than to an individual IC. Therefore, the pins most likely to suffer an ESD event are those that are exposed to the outside world (the RS-485 pins in this case), and the IC is tested in its typical application configuration (power applied) rather than testing each pin-to-pin combination. The IEC61000 standard's lower current limiting resistor coupled with the larger charge storage capacitor yields a test that is much more severe than the HBM test. The extra ESD protection built into this device's RS-485 pins allows the design of equipment meeting Level 4 criteria without the need for additional board level protection on the RS-485 port.

### AIR-GAP DISCHARGE TEST METHOD

For this test method, a charged probe tip moves toward the IC pin until the voltage arcs to it. The current waveform delivered to the IC pin depends on approach speed, humidity, temperature, etc., so it is more difficult to obtain repeatable results. The ISL3159E RS-485 pins withstand  $\pm 15\text{kV}$  air-gap discharges.

## CONTACT DISCHARGE TEST METHOD

During the contact discharge test, the probe contacts the tested pin before the probe tip is energized, thereby eliminating the variables associated with the air-gap discharge. The result is a more repeatable and predictable test, but equipment limits prevent testing devices at voltages higher than  $\pm 9\text{kV}$ . The RS-485 pins of the ISL3159E survive  $\pm 8\text{kV}$  contact discharges.

## Hot Plug Function

When a piece of equipment powers up, a period of time occurs in which the processor or ASIC driving the RS-485 control lines (DE,  $\overline{\text{RE}}$ ) is unable to ensure that the RS-485 Tx and Rx outputs are kept disabled. If the equipment is connected to the bus, a driver activating prematurely during power-up may crash the bus. To avoid this scenario, the ISL3159E incorporates a “hot plug” function. Circuitry monitoring  $V_{\text{CC}}$  ensures that, during power-up and power-down, the Tx and Rx outputs remain disabled, regardless of the state of DE and  $\overline{\text{RE}}$ , if  $V_{\text{CC}}$  is less than  $\sim 3.2\text{V}$ . This gives the processor/ASIC a chance to stabilize and drive the RS-485 control lines to the proper states.

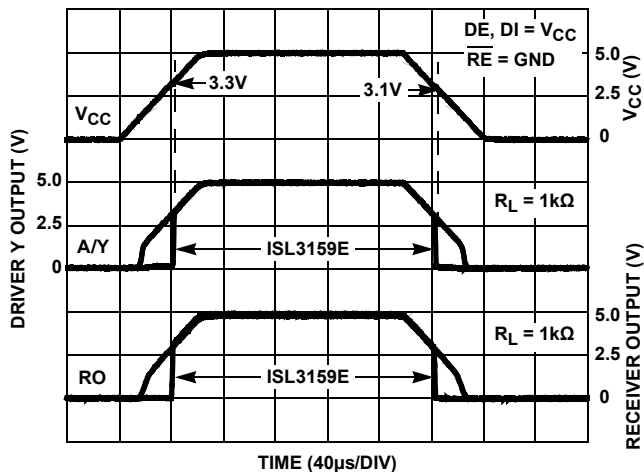


FIGURE 20. HOT PLUG PERFORMANCE (ISL3159E) vs ISL83088E WITHOUT HOT PLUG CIRCUITRY

## Data Rate, Cables and Terminations

Twisted pair is the cable of choice for RS-485, RS-422 and PROFIBUS networks. Twisted pair cables tend to pick up noise and other electromagnetically induced voltages as common-mode signals, which are effectively rejected by the differential receivers in these ICs.

According to guidelines in the RS-422 and PROFIBUS specifications, networks operating at data rates in excess of 3Mbps should be limited to cable lengths of 100m (328ft) or less, and the PROFIBUS specification recommends that the more expensive “Type A” (22AWG) cable be used. The ISL3159E’s large differential output swing, fast transition times, and high drive-current output stages allow operation even at 40Mbps over standard “CAT5” cables in excess of 100m (328ft). [Figure 18 on page 10](#) details the ISL3159E performance at this condition, with a 120Ω termination resistor at both the driver and the receiver ends. Note that the differential signal delivered to the receiver at the end of the cable (A-B) still exceeds 1V, so even longer cables could be driven if lower noise margins are

acceptable. Of course, jitter or some other criteria may limit the network to shorter cable lengths than those discussed here. If more noise margin is desired, shorter cables produce a larger receiver input signal as illustrated in [Figure 17 on page 10](#). Performance should be even better if using the “Type A” cable.

The ISL3159E may also be used at slower data rates over longer cables, but some limitations apply. The Rx is optimized for high speed operation, so its output may glitch if the Rx input differential transition times are too slow. Keeping the transition times below 500ns, (which equates to the Tx driving a 1000ft (305m) CAT 5 cable) yields excellent performance across the full operating temperature range.

To minimize reflections, proper termination is imperative when using this high data rate transceiver. In point-to-point, or point-to-multipoint (single driver on bus) networks, the main cable should be terminated in its characteristic impedance (typically 120Ω for “CAT5” and 220Ω for “Type A”) at the end farthest from the driver. In multireceiver applications, stubs connecting receivers to the main cable should be kept as short as possible. Multipoint (multidriver) systems require that the main cable be terminated in its characteristic impedance at both ends. Stubs connecting a transceiver to the main cable should be kept as short as possible.

## Built-in Driver Overload Protection

As stated previously, the RS-485 specification requires that drivers survive worst case bus contentions undamaged. These transmitters meet this requirement using driver output short-circuit current limits, and on-chip thermal shutdown circuitry.

The driver output stages incorporate short-circuit current limiting circuitry, which ensures that the output current never exceeds the RS-485 specification, even at the common-mode voltage range extremes. In the event of a major short-circuit condition, the device also includes a thermal shutdown feature that disables the drivers whenever the die temperature becomes excessive. This eliminates the power dissipation, allowing the die to cool. The drivers automatically reenables after the die temperature drops about 15 °. If the contention persists, the thermal shutdown/reenable cycle repeats until the fault is cleared. Receivers stay operational during thermal shutdown.

## Low Power Shutdown Mode

This BiCMOS transceiver uses a fraction of the power required by its bipolar counterparts, but it also includes a shutdown feature that reduces the already low quiescent  $I_{\text{CC}}$  to a 50nA trickle. It enters shutdown whenever the receiver and driver are *simultaneously* disabled ( $\overline{\text{RE}} = V_{\text{CC}}$  and  $\text{DE} = \text{GND}$ ) for a period of at least 600ns. Disabling both the driver and the receiver for less than 60ns guarantees that the transceiver will not enter shutdown.

Note that receiver and driver enable times increase when the transceiver enables from shutdown. Refer to [Notes 12, 13, 14, 15, and 16 on page 6](#) for more information.

## Revision History

The revision history provided is for informational purposes only and is believed to be accurate, but not warranted. Please visit our website to make sure you have the latest revision.

| DATE            | REVISION | CHANGE  |
|-----------------|----------|---|
| August 28, 2017 | FM6364.3 | Added Related Literature section.<br>Added $V_{AB}$ information to Receiving Truth Table on page 2.<br>Applied Intersil A Renesas Company template.   |
| August 25, 2015 | FN6364.2 | Added Key Differences table to page 2.  |
| July 29, 2015   | FN6364.1 | Reformatted datasheet to newest template and standards.<br>Ordering Information table - added MSL note 3.<br>Added in "Thermal Information" on page 4 Tjc for packages plus corresponding notes and changed Tja from 75 to 46 for DFN package.<br>Pin Description on page 3 - Added row for EP and added to description of GND.<br>Updated note references on Figures 5B and 8B.<br>Die Characteristics section on page 10: removed Transistor Count<br>Added Revision History table and About Intersil section.<br>Updated POD M8.118 from rev 2 to rev 4. Changes since rev 2:<br>- Updated to new intersil format by adding land pattern and moving dimensions from table onto drawing<br>- Corrected lead width dimension in side view 1 from "0.25 - 0.036" to "0.25 - 0.36"<br>Updated POD L10.3x3C from rev 1 to rev 4. Changes since rev 1:<br>- Updated Format to new standard<br>- Removed package outline and included center to center distance between lands on recommended land pattern.<br>- Removed Note 4 "Dimension b applies to the metallized terminal and is measured between 0.18mm and 0.30mm from the terminal tip." since it is not applicable to this package. Renumbered notes accordingly.<br>- Tiebar Note 4 updated<br>From: Tiebar shown (if present) is a non-functional feature.<br>To: Tiebar shown (if present) is a non-functional feature and may be located on any of the 4 sides (or ends).<br>Updated POD M8.15 from rev 1 to rev 4. Changes since rev 1:<br>- Updated to new POD format by removing table and moving dimensions onto drawing and adding land pattern<br>- Changed in Typical Recommended Land Pattern the following:<br>2.41(0.095) to 2.20(0.087)<br>0.76 (0.030) to 0.60(0.023)<br>0.200 to 5.20(0.205)<br>- Changed Note 1 "1982" to "1994" |

## About Intersil

Intersil Corporation is a leading provider of innovative power management and precision analog solutions. The company's products address some of the largest markets within the industrial and infrastructure, mobile computing, and high-end consumer markets.

For the most updated datasheet, application notes, related documentation, and related parts, see the respective product information page found at [www.intersil.com](http://www.intersil.com).

For a listing of definitions and abbreviations of common terms used in our documents, visit [www.intersil.com/glossary](http://www.intersil.com/glossary).

You can report errors or suggestions for improving this datasheet by visiting [www.intersil.com/ask](http://www.intersil.com/ask).

Reliability reports are also available from our website at [www.intersil.com/support](http://www.intersil.com/support).

© Copyright Intersil Americas LLC 2007-2017. All Rights Reserved.  
All trademarks and registered trademarks are the property of their respective owners.

For additional products, see [www.intersil.com/en/products.html](http://www.intersil.com/en/products.html)

---

Intersil products are manufactured, assembled and tested utilizing ISO9001 quality systems as noted in the quality certifications found at [www.intersil.com/en/support/qualandreliability.html](http://www.intersil.com/en/support/qualandreliability.html)

---

*Intersil products are sold by description only. Intersil may modify the circuit design and/or specifications of products at any time without notice, provided that such modification does not, in Intersil's sole judgment, affect the form, fit or function of the product. Accordingly, the reader is cautioned to verify that datasheets are current before placing orders. Information furnished by Intersil is believed to be accurate and reliable. However, no responsibility is assumed by Intersil or its subsidiaries for its use; nor for any infringements of patents or other rights of third parties which may result from its use. No license is granted by implication or otherwise under any patent or patent rights of Intersil or its subsidiaries.*

---

For information regarding Intersil Corporation and its products, see [www.intersil.com](http://www.intersil.com)

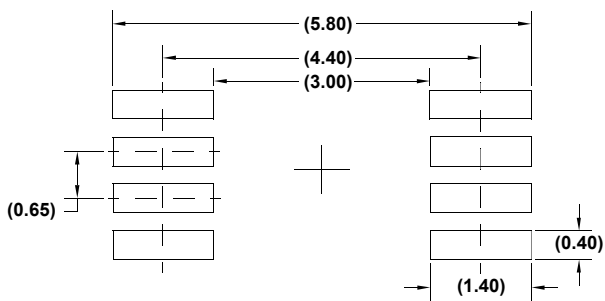
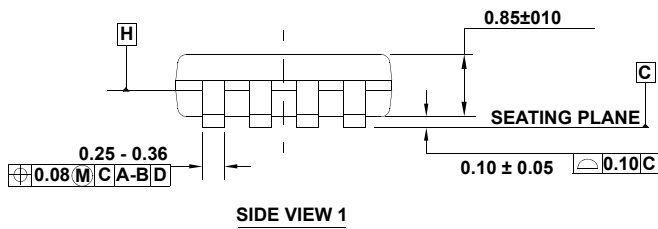
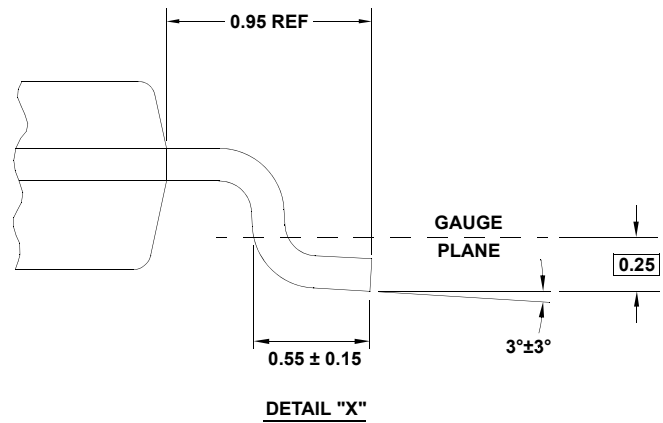
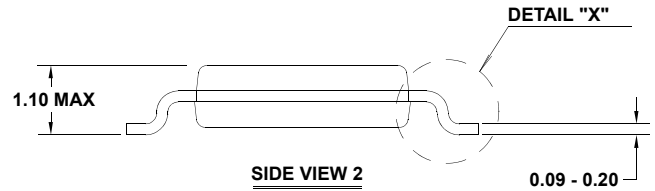
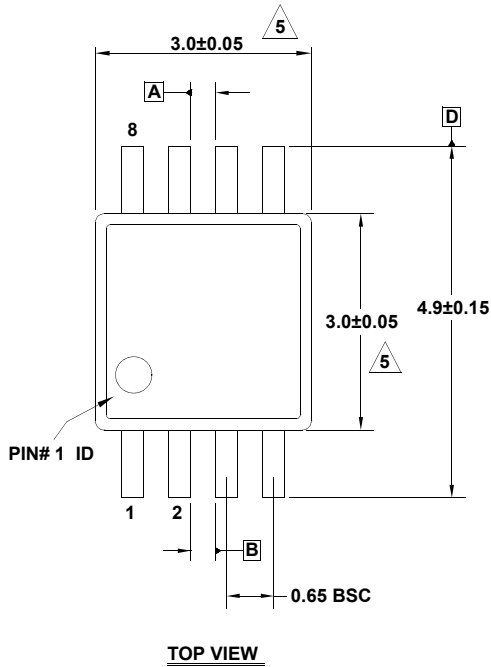
# Package Outline Drawing

For the most recent package outline drawing, see [M8.118](#).

## M8.118

8 LEAD MINI SMALL OUTLINE PLASTIC PACKAGE

Rev 4, 7/11



**NOTES:**

1. Dimensions are in millimeters.
2. Dimensioning and tolerancing conform to JEDEC MO-187-AA and AMSEY14.5m-1994.
3. Plastic or metal protrusions of 0.15mm max per side are not included.
4. Plastic interlead protrusions of 0.15mm max per side are not included.
5. Dimensions are measured at Datum Plane "H".
6. Dimensions in ( ) are for reference only.

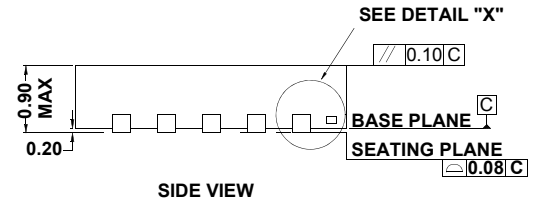
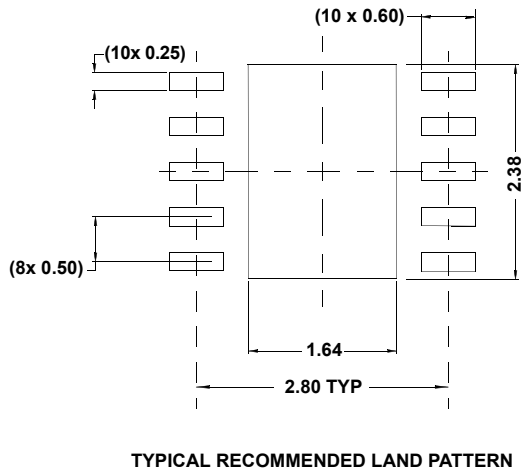
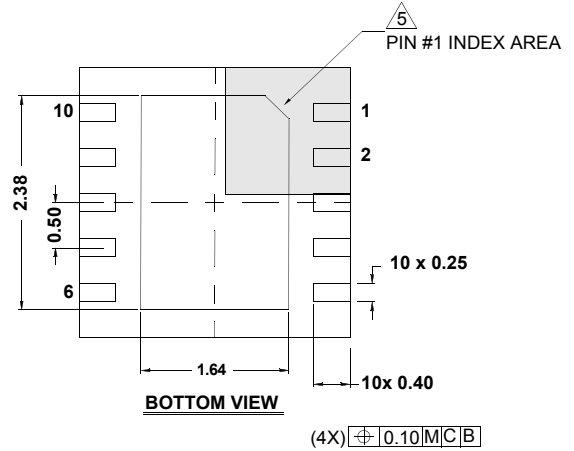
# Package Outline Drawing

## L10.3x3C

10 LEAD DUAL FLAT PACKAGE (DFN)

Rev 4, 3/15

For the most recent package outline drawing, see [L10.3x3C](#).



**NOTES:**

1. Dimensions are in millimeters.  
Dimensions in ( ) for Reference Only.
2. Dimensioning and tolerancing conform to AMSE Y14.5m-1994.
3. Unless otherwise specified, tolerance : Decimal  $\pm 0.05$
4. Tiebar shown (if present) is a non-functional feature and may be located on any of the 4 sides (or ends).
5. The configuration of the pin #1 identifier is optional, but must be located within the zone indicated. The pin #1 identifier may be either a mold or mark feature.
6. Compliant to JEDEC MO-229-WEED-3 except for E-PAD dimensions.



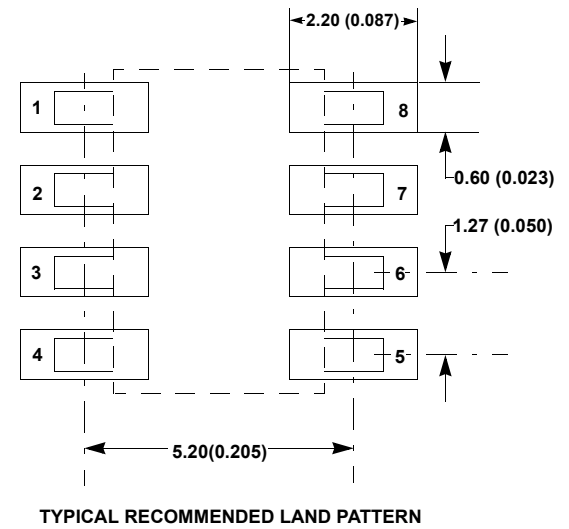
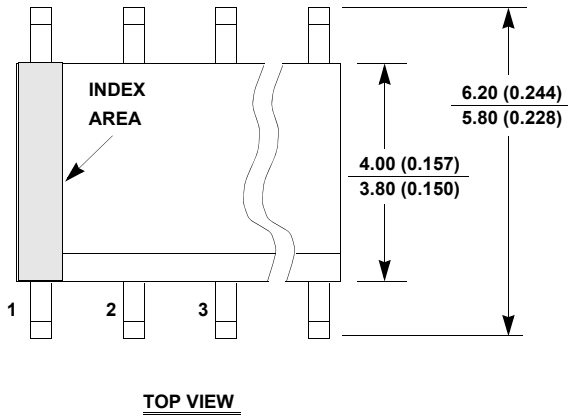
# Package Outline Drawing

## M8.15

8 LEAD NARROW BODY SMALL OUTLINE PLASTIC PACKAGE

Rev 4, 1/12

For the most recent package outline drawing, see [M8.15](#).



**NOTES:**

1. Dimensioning and tolerancing per ANSI Y14.5M-1994.
2. Package length does not include mold flash, protrusions or gate burrs. Mold flash, protrusion and gate burrs shall not exceed 0.15mm (0.006 inch) per side.
3. Package width does not include interlead flash or protrusions. Interlead flash and protrusions shall not exceed 0.25mm (0.010 inch) per side.
4. The chamfer on the body is optional. If it is not present, a visual index feature must be located within the crosshatched area.
5. Terminal numbers are shown for reference only.
6. The lead width as measured 0.36mm (0.014 inch) or greater above the seating plane, shall not exceed a maximum value of 0.61mm (0.024 inch).
7. Controlling dimension: MILLIMETER. Converted inch dimensions are not necessarily exact.
8. This outline conforms to JEDEC publication MS-012-AA ISSUE C.