

ISL72814SEH, ISL73814SEH

16-Channel Driver Circuit with an Integrated Decoder

R34DS0002EU0100
Rev.1.00
Feb 7, 2019

The [ISL72814SEH](#) and [ISL73814SEH](#) are radiation hardened high-voltage, high-current, driver circuit ICs fabricated using the Renesas proprietary PR40 Silicon-On-Insulator (SOI) process technology to mitigate single-event effects. The devices integrate 16 driver channels that feature a high-voltage (42V), high-current (700mA) open-emitter PNP output stage.

To further reduce solution size, the ISL72814SEH and ISL73814SEH integrate a 4-bit, 16-channel decoder with Enable. This conveniently allows you to select 1 of 16 available driver channels or disable all channels. The inputs to the decoder are TTL and CMOS compatible, allowing an easy interface to FPGAs and microprocessors.

The ISL7x814SEH devices operate across the military temperature range from -55°C to +125°C and are available in a 28 lead hermetically sealed Ceramic Dual Flatpack (CDFP) package or die.

Applications

- RF waveguide and coaxial switches
- Relays
- Line drivers
- Logic buffers
- Lamp drivers

Features

- Electrically screened to DLA SMD [5962-18221](#)
- Integrated 4-bit to 16-channel decoder
- High current outputs: 700mA
- High voltage outputs: 42V
- Ultra low saturation voltage: 1.35V maximum at 500mA
- Internal clamping diodes for inductive loads
- Wide operating V_{CC} supply range 3V to 13.2V
- Full military temperature range operation
 - T_A = -55°C to +125°C
 - T_J = -55°C to +150°C
- Radiation acceptance testing - ISL72814SEH
 - HDR (50-300rad(Si)/s): 100krad(Si)
 - LDR (0.01rad(Si)/s): 75krad(Si)
- Radiation acceptance testing - ISL73814SEH
 - LDR (0.01rad(Si)/s): 75krad(Si)
- SEE hardness (see SEE report for details)
 - No SEB/SEL LET_{TH}, V_{CH} = 34V: 86MeV•cm²/mg

Related Literature

For a full list of related documents, visit our website:

- [ISL72814SEH](#) and [ISL73814SEH](#) device pages

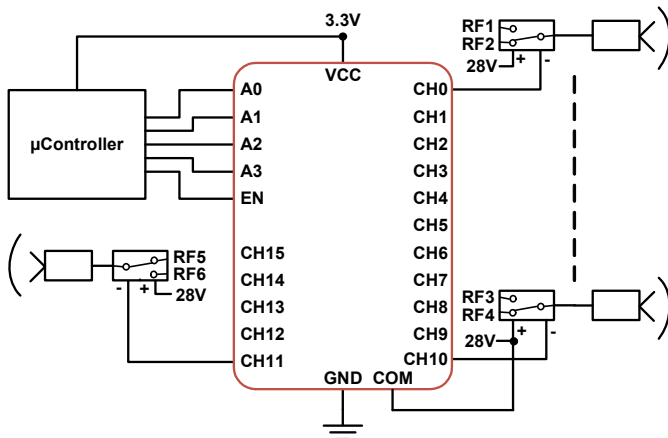


Figure 1. RF Switching Module

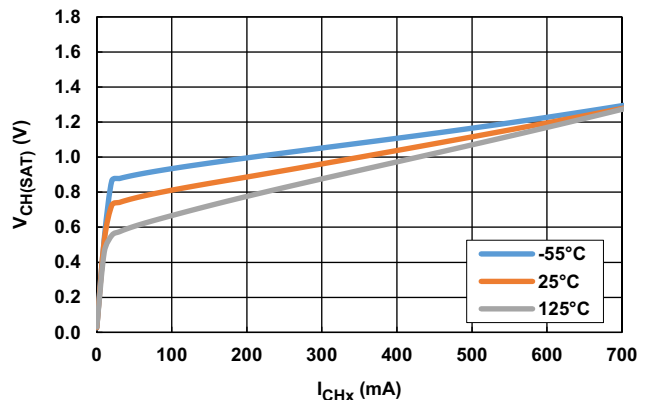


Figure 2. V_{CH(SAT)} vs I_{CHx} vs Temperature

Contents

1. Overview	3
1.1 Typical Application Schematic	3
1.2 Functional Block Diagram	4
1.3 Ordering Information	5
1.4 Pin Configuration	5
1.5 Pin Descriptions	6
2. Specifications	7
2.1 Absolute Maximum Ratings	7
2.2 Thermal Information	7
2.3 Recommended Operating Conditions	7
2.4 Electrical Specifications	8
2.5 Timing Diagram	10
3. Typical Performance Curves	11
4. Applications Information	13
4.1 Functional Description	13
4.2 Ensuring Break-Before-Make (BBM) Operation	13
4.3 Power Supply Sequencing	14
4.4 COM Pin	14
5. Die and Assembly Characteristics	15
5.1 Metallization Mask Layout	16
6. Revision History	18
7. Package Outline Drawing	19

1. Overview

1.1 Typical Application Schematic

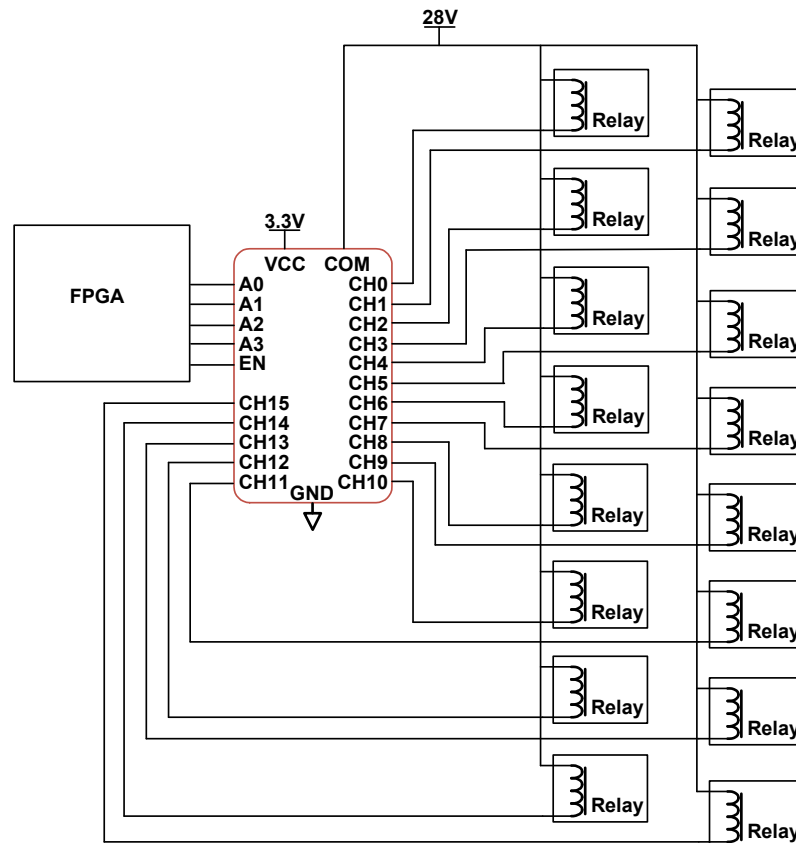


Figure 3. Typical Relay Application Diagram

1.2 Functional Block Diagram

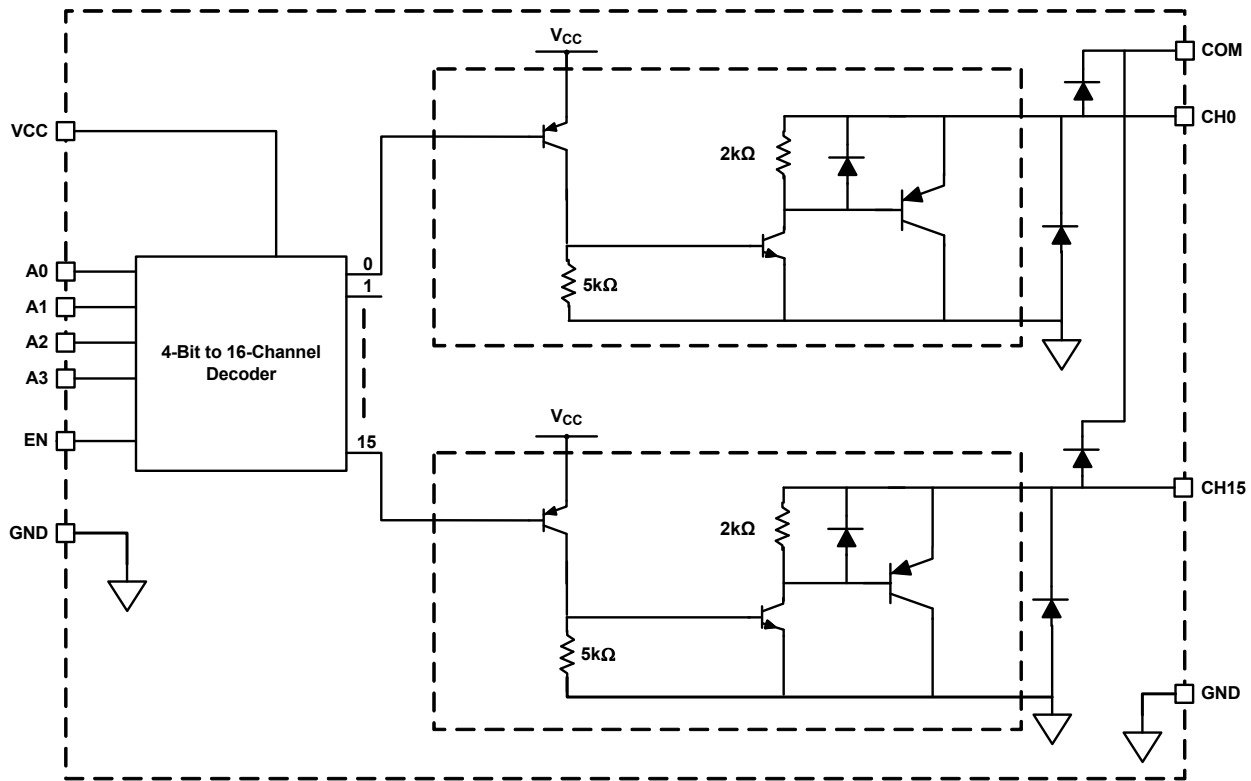


Figure 4. Block Diagram

1.3 Ordering Information

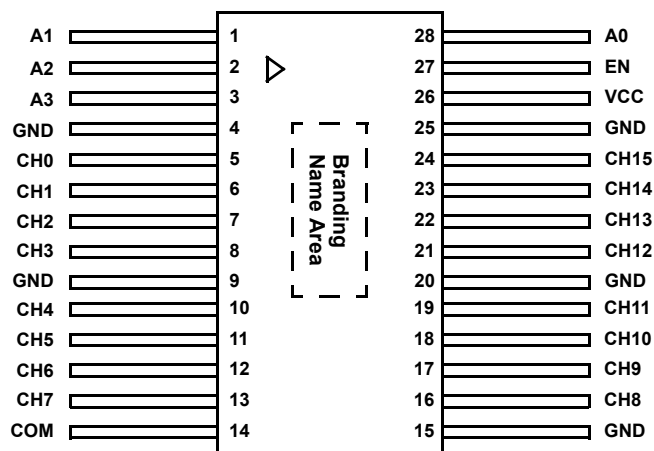
Ordering SMD Number (Note 1)	Part Number (Note 2)	Radiation Hardness (Total Ionizing Dose)	Temperature Range (°C)	Package (RoHS Compliant)	Package Drawing
5962R1822101VXC	ISL72814SEHVF	HDR to 100krad(Si), LDR to 75krad(Si)	-55 to +125	28 Ld CDFP	K28.A
5962R1822101V9A	ISL72814SEHVX		-55 to +125	Die	N/A
5962L1822102VXC	ISL73814SEHVF	LDR to 75krad(Si)	-55 to +125	28 Ld CDFP	K28.A
5962L1822102V9A	ISL73814SEHVX		-55 to +125	Die	N/A
N/A	ISL72814SEHF/PROTO (Note 3)	N/A	-55 to +125	28 Ld CDFP	K28.A
N/A	ISL73814SEHF/PROTO (Note 3)	N/A	-55 to +125	28 Ld CDFP	K28.A
N/A	ISL72814SEHX/SAMPLE (Note 3)	N/A	-55 to +125	Die	N/A
N/A	ISL73814SEHX/SAMPLE (Note 3)	N/A	-55 to +125	Die	N/A
N/A	ISL72814SEHEV1Z (Note 4)	Evaluation Board			

Notes:

- Specifications for Rad Hard QML devices are controlled by the Defense Logistics Agency Land and Maritime (DLA). The SMD numbers listed must be used when ordering.
- These Pb-free Hermetic packaged products employ 100% Au plate - e4 termination finish, which is RoHS compliant and compatible with both SnPb and Pb-free soldering operations.
- The /PROTO and /SAMPLE are not rated or certified for Total Ionizing Dose (TID) or Single Event Effect (SEE) immunity. These parts are intended for engineering evaluation purposes only. The /PROTO parts meet the electrical limits and conditions across temperature specified in the DLA SMD and are in the same form and fit as the qualified device. The /SAMPLE parts are capable of meeting the electrical limits and conditions specified in the DLA SMD at +25°C only. The /SAMPLE parts do not receive 100% screening across temperature to the DLA SMD electrical limits. These part types do not come with a Certificate of Conformance because they are not DLA qualified devices.
- Evaluation board uses the /PROTO parts and /PROTO parts are not rated or certified for Total Ionizing Dose (TID) or Single Event Effect (SEE) immunity.

1.4 Pin Configuration

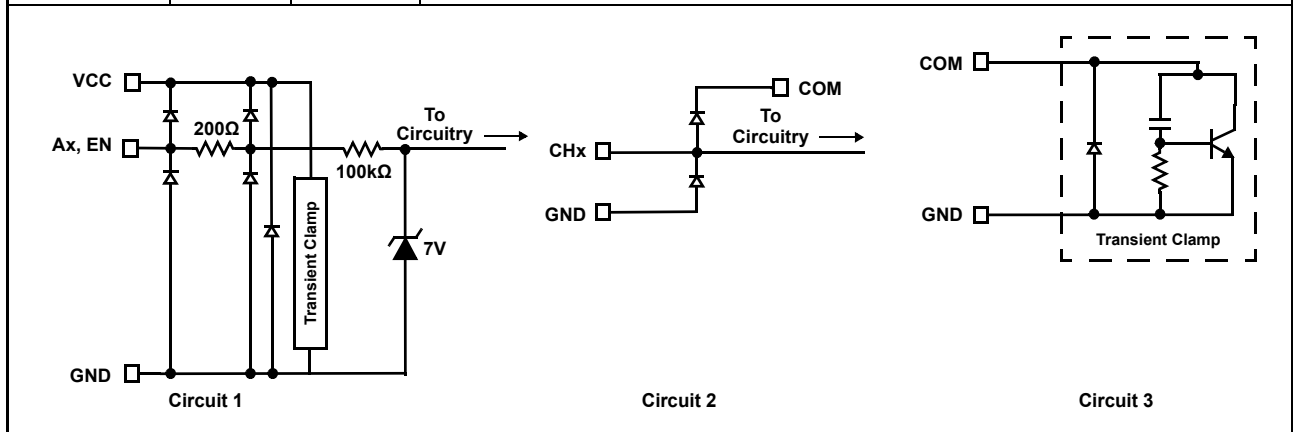
ISL72814SEH, ISL73814SEH
28 Ld CDFP
Top View



Note: The ESD triangular mark is indicative of Pin #1. It is a part of the device marking and is placed on the lid in the quadrant where Pin #1 is located.

1.5 Pin Descriptions

Pin Number	Pin Name	ESD Circuit	Description
1 - 3, 28	Ax	1	Address lines for the decoder.
4, 9, 15, 20, 25	GND	1,2,3	Supply and output driver ground. Connect this pin to the PCB ground plane.
5-8, 10-13, 16-19, 21-24	CHx	2	Channels 0 through 15 open emitter PNP outputs.
14	COM	3	ESD Clamp rail. It can be used to terminate inductances connected to the CHx pins and should be tied to the highest relay coil supply rail in the system. When not switching inductive loads, tie it to the supply rail of the CHx channel with the highest voltage.
26	VCC	1	Bias supply for the decoder and the level shift circuit. Connect to a voltage between 3V to 13.2V.
27	EN	1	Active high enable input to the decoder.
LID	N/A	N/A	Package Lid is internally connected to GND (Pin 15).



2. Specifications

2.1 Absolute Maximum Ratings

Parameter	Minimum	Maximum	Unit
VCC	GND - 0.3V	GND + 14.7	V
Logic Input Voltage (EN, Ax)	GND - 0.3V	V _{CC} + 0.3	V
Logic Input Current (EN, Ax)	-15	15	mA
CHx	GND - 0.3V	GND + 42	V
CHx (Under beam LET = 86MeV)	GND - 0.3V	GND + 34	V
COM to GND	-	GND + 42	V
COM to GND (Under beam LET = 86MeV)	-	GND + 34	V
COM to CHx	Highest Positive CHx Voltage - 0.3V	GND + 42	V
COM to CHx (Under beam LET = 86MeV)	Highest Positive CHx Voltage - 0.3V	GND + 34	V
Peak I _{CHx} (100ms)	-	1.1	A
Power Dissipation, PD (Case Temperature +125°C)	-	1.3	W
VCC and COM Maximum Supply Turn-On Ramp Rate	-	1	V/μs
ESD Rating	Value		Unit
Human Body Model (Tested per MIL-STD-883 TM3015.7)	5		kV
Charged Device Model (Tested per JS-002-2014)	1		kV

CAUTION: Do not operate at or near the maximum ratings listed for extended periods of time. Exposure to such conditions can adversely impact product reliability and result in failures not covered by warranty.

2.2 Thermal Information

Thermal Resistance (Typical)	θ_{JA} (°C/W)	θ_{JC} (°C/W)
CDFP Package K28.A (Notes 5, 6)	34.5	18.8

Notes:

- θ_{JA} is measured in free air with the component mounted on a high-effective thermal conductivity test board with “direct attach” features. See [TB379](#).
- For θ_{JC} , the “case temp” location is the center of the package underside.

Parameter	Minimum	Maximum	Unit
Maximum Junction Temperature	-	+150	°C
Storage Temperature Range	-65	+150	°C

2.3 Recommended Operating Conditions

Parameter	Minimum	Maximum	Unit
Temperature	-55	+125	°C
VCC	3.0	13.2	V
CHx	5	34	V

Parameter	Minimum	Maximum	Unit
Channel Current Duty Cycle Limit, 1.6×10^5 hours Metallic Electromigration limited lifetime at +125°C junction temperature to 0.1% failures.			
$I_{CHX} = 400\text{mA}$	-	100	%
$I_{CHX} = 500\text{mA}$	-	73	%
$I_{CHX} = 600\text{mA}$	-	51	%
$I_{CHX} = 700\text{mA}$	-	37	%
Channel Current Duty Cycle Limit, 1.6×10^5 hours Metallic Electromigration limited lifetime at +150°C junction temperature to 0.1% failures.			
$I_{CHX} = 250\text{mA}$	-	100	%
$I_{CHX} = 300\text{mA}$	-	70	%
$I_{CHX} = 400\text{mA}$	-	39	%
$I_{CHX} = 500\text{mA}$	-	25	%
$I_{CHX} = 600\text{mA}$	-	17	%
$I_{CHX} = 700\text{mA}$	-	13	%

2.4 Electrical Specifications

Unless otherwise noted, $V_{CC} = 3\text{V} - 13.2\text{V}$; $V_{CHX} = 34\text{V}$ (Disabled), Logic High = V_{CC} , Logic Low = GND; $T_A = T_J = +25^\circ\text{C}$. **Boldface limits apply across the operating temperature range, -55°C to $+125^\circ\text{C}$; over a total ionizing dose of 100krad(Si) with exposure at a high dose rate of 50 to 300rad(Si)/s (ISL72814SEH only); or over a total ionizing dose of 75krad(Si) with exposure at a low dose rate of <10mrads(Si)/s.**

Parameter	Symbol	Test Conditions	Temperature (°C)	Min (Note 8)	Typ (Note 7)	Max (Note 8)	Unit	
V_{CC} Power Supply								
Supply Current	I_{CC}	$V_{CC} = 3.6\text{V}, 13.2\text{V}$, CHx = OPEN, EN = V_{CC} , COM = 0V, A0-A3 = 0V	-55 to +125	4.5	7.03	8.5	mA	
Quiescent Supply Current	I_{CCQ}	$V_{CC} = 3.6\text{V}, 13.2\text{V}$, CHx = OPEN, EN = 0V, COM = 0V, A0-A3 = 0V	-55 to +125	350	643	800	μA	
Driver Circuit								
Single Channel Leakage Current	I_{CHLK}	V_{CHX} (under test) = 34V, All other V_{CHX} channels = 35V, $V_{CC} = 3\text{V}, 5.5\text{V}$, COM = 35V, A0-A3 = 0V, EN = 0V	-55 and +25	-25	3.45	25	nA	
			+125	-10	-	90	nA	
			Post Radiation (+25)	-25	-	25	nA	
All Channels + COM Leakage Current	$I_{TOTCHLK}$	$V_{CH0} - CH15 = \text{COM} = 34\text{V}$, $V_{CC} = 3\text{V}, 5.5\text{V}$, A0-A3 = 0V, EN = 0V	-55 and +25	-30	8.37	30	nA	
			+125	-30	-	1000	nA	
			Post Radiation (+25)	-30	-	100	nA	
Output Channel Saturation Voltage	$V_{CHX(SAT)}$	$I_{CHx} = 700\text{mA}$, $V_{CC} = 3\text{V}, 5.5\text{V}$, COM = 35V, EN = V_{CC}	-55 to +125	0.85	1.23	1.5	V	
			$I_{CHx} = 600\text{mA}$, $V_{CC} = 3\text{V}, 5.5\text{V}$, COM = 35V, EN = V_{CC}	-55 to +125	0.8	1.15	1.4	V
			$I_{CHx} = 500\text{mA}$, $V_{CC} = 3\text{V}, 5.5\text{V}$, COM = 35V, EN = V_{CC}	-55 to +125	0.65	1.08	1.35	V
			$I_{CHx} = 350\text{mA}$, $V_{CC} = 3\text{V}, 5.5\text{V}$, COM = 35V, EN = V_{CC}	-55 to +125	0.6	0.997	1.3	V
			$I_{CHx} = 200\text{mA}$, $V_{CC} = 3\text{V}, 5.5\text{V}$, COM = 35V, EN = V_{CC}	-55 to +125	0.5	0.875	1.2	V

Unless otherwise noted, $V_{CC} = 3V - 13.2V$; $V_{CHX} = 34V$ (Disabled), Logic High = V_{CC} , Logic Low = GND; $T_A = T_J = +25^\circ C$. **Boldface limits apply across the operating temperature range, $-55^\circ C$ to $+125^\circ C$; over a total ionizing dose of 100krad(Si) with exposure at a high dose rate of 50 to 300rad(Si)/s (ISL72814SEH only); or over a total ionizing dose of 75krad(Si) with exposure at a low dose rate of <10mrads(Si)/s. (Continued)**

Parameter	Symbol	Test Conditions	Temperature (°C)	Min (Note 8)	Typ (Note 7)	Max (Note 8)	Unit
COM to CHx Inductive Kickback Clamp Diode Forward Voltage	V_F	$I_{CHx} = 200mA$, COM = 0V, $V_{CC} = 0V$, A0-A3 = 0V, EN = 0V	-55 to +125	0.85	1.09	1.3	V
		$I_{CHx} = 700mA$, COM = 0V, $V_{CC} = 0V$, A0-A3 = 0V, EN = 0V	-55 to +125	1.0	1.59	2.25	
COM to CHx Inductive Kickback Clamp Diode Leakage Current	I_R	$V_{COM} = 34V$, $V_{CC} = 0V$, A0-A3 = 0V, EN = 0V, CHx channel under test = 0V, other CHx channels = open	-55 to +125	-15	0.0	15	nA
Decoder and Enable Inputs							
Logic Input High	V_{IH}	$V_{CC} = 3V, 13.2V$, COM = V_{CC}	-55 to +125	2	1.48	-	V
Logic Input Low	V_{IL}	$V_{CC} = 3V, 13.2V$, COM = V_{CC}	-55 to +125	-	1.42	0.8	V
Input High Current	I_{IH}	$V_{CC} = 3.0V, 5.5V$, COM = V_{CC} , A0-A3 = EN = 2.0V	-55 to +125	-250	-56	250	nA
Input Low Current	I_{IL}	$V_{CC} = 3.0V, 5.5V$, COM = V_{CC} , A0-A3 = EN = 0.8V	-55 to +125	-250	-83	250	nA
Switching Characteristics							
Enable Turn-On Time (Notes 9, 10)	t_{EN}	$V_{CC} = 3V, 13.2V$, COM = 35V, A0-A3 = 0V. CH0 channel under test connected to 97Ω to 34V, other CHx channels connected to 10kΩ to 34V (see Figure 5)	-55 to +125	-	2.36	5	μs
Disable Turn-Off Time (Notes 9, 10)	t_{DIS}	$V_{CC} = 3V, 13.2V$, COM = 35V, A0-A3 = 0V. CH0 channel under test connected to 97Ω to 34V, other CHx channels connected to 10kΩ to 34V (see Figure 5)	-55 to +125	-	5.96	15	μs

Notes:

- Typical values shown are not guaranteed.
- Parameters with MIN and/or MAX limits are 100% tested at $-55^\circ C$, $+25^\circ C$, and $+125^\circ C$, unless otherwise specified.
- Addressing should only be changed while EN = GND, otherwise multiple outputs can be momentarily activated. See [“Ensuring Break-Before-Make \(BBM\) Operation” on page 13.](#)
- After disabling (EN = 0) and changing addresses, delay at least 10μs before enabling (EN = 1) to the new channel. This prevents multiple outputs from being momentarily on at the same time. See [“Ensuring Break-Before-Make \(BBM\) Operation” on page 13.](#)

2.5 Timing Diagram

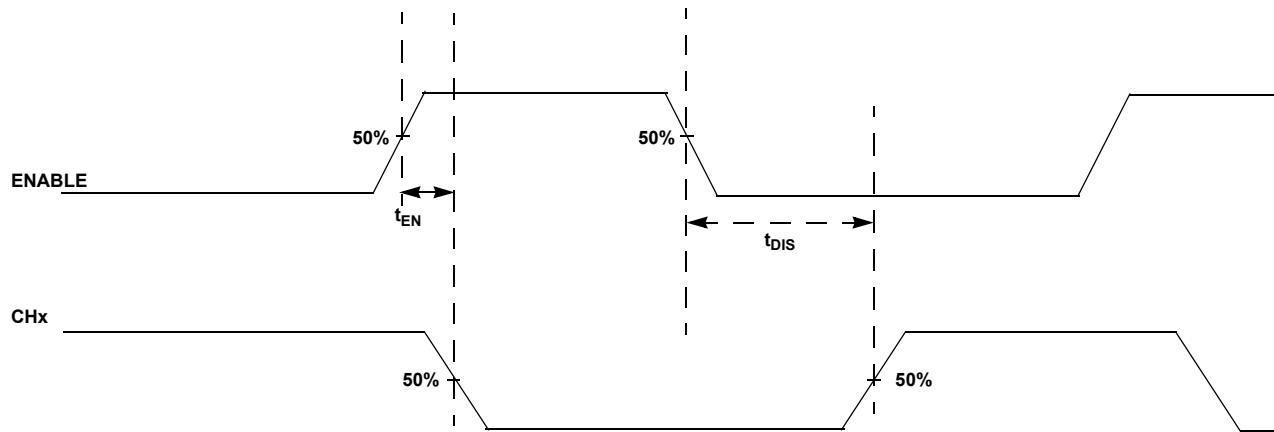


Figure 5. Timing Diagram

Table 1. Truth Table

A3	A2	A1	A0	EN	Activated Channel Output
X	X	X	X	0	None
0	0	0	0	1	0
0	0	0	1	1	1
0	0	1	0	1	2
0	0	1	1	1	3
0	1	0	0	1	4
0	1	0	1	1	5
0	1	1	0	1	6
0	1	1	1	1	7
1	0	0	0	1	8
1	0	0	1	1	9
1	0	1	0	1	10
1	0	1	1	1	11
1	1	0	0	1	12
1	1	0	1	1	13
1	1	1	0	1	14
1	1	1	1	1	15

3. Typical Performance Curves

Unless otherwise noted, $V_{CC} = 5.5V$; $CHx = 34V$; $T_A = +25^\circ C$

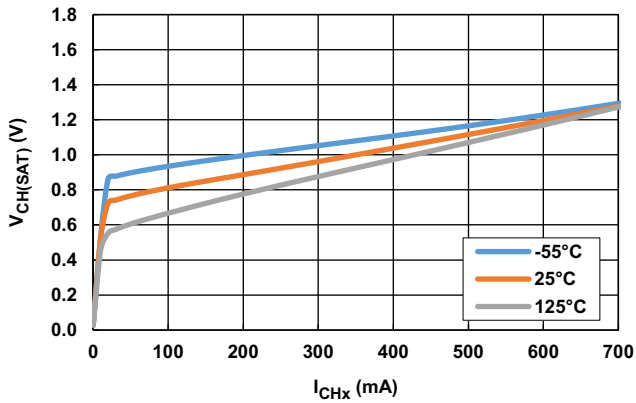


Figure 6. $V_{CH(SAT)}$ vs I_{CHx} vs Temperature

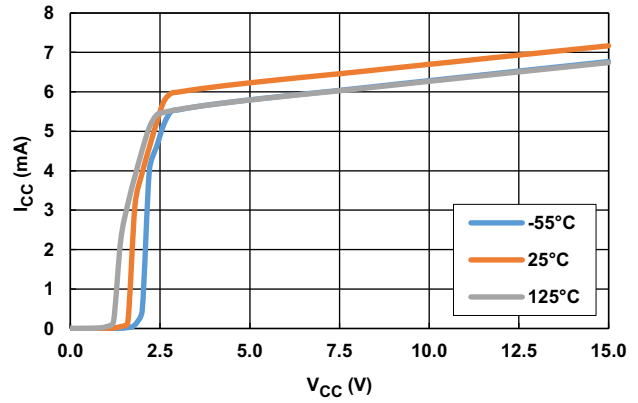


Figure 7. I_{CC} vs V_{CC} vs Temperature

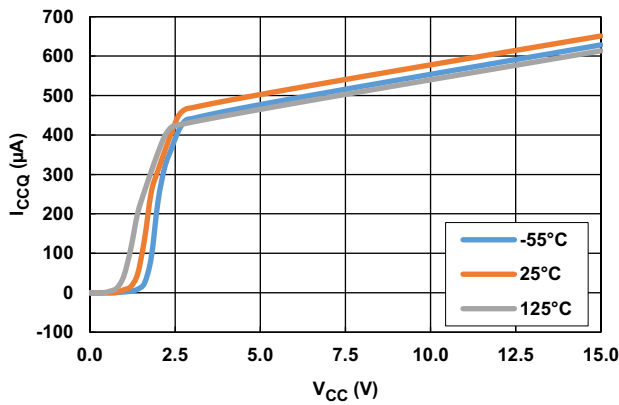


Figure 8. I_{CCQ} vs V_{CC} vs Temperature

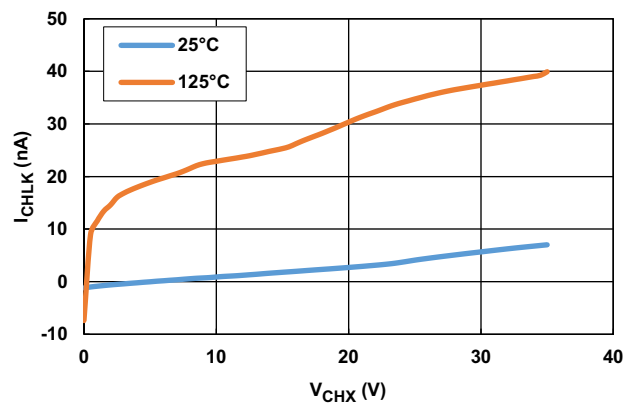


Figure 9. Single Channel Leakage vs Channel Voltage vs Temperature

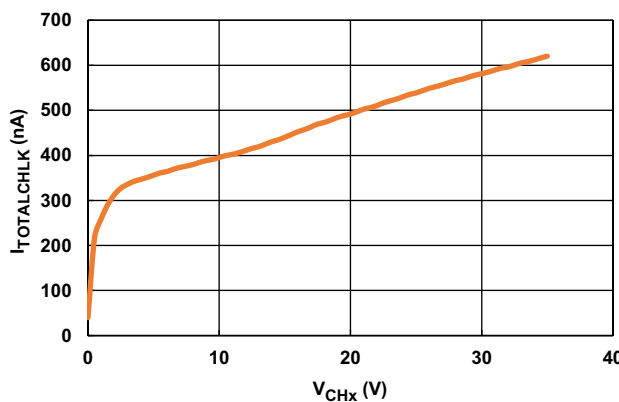


Figure 10. All Channels + COM Leakage Current vs Channel Voltage at $+125^\circ C$

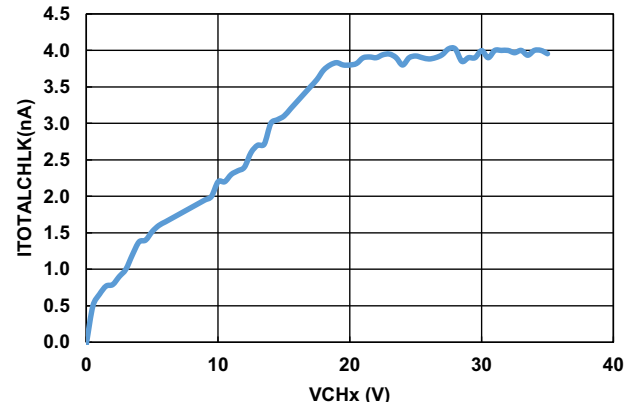


Figure 11. All Channels + COM Leakage Current vs Channel Voltage at $+25^\circ C$

Unless otherwise noted, $V_{CC} = 5.5V$; $CHx = 34V$; $T_A = +25^\circ C$ (Continued)

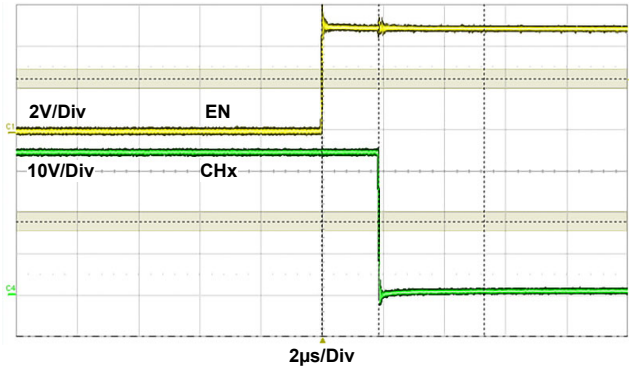


Figure 12. T_{ENABLE} (t_{EN})

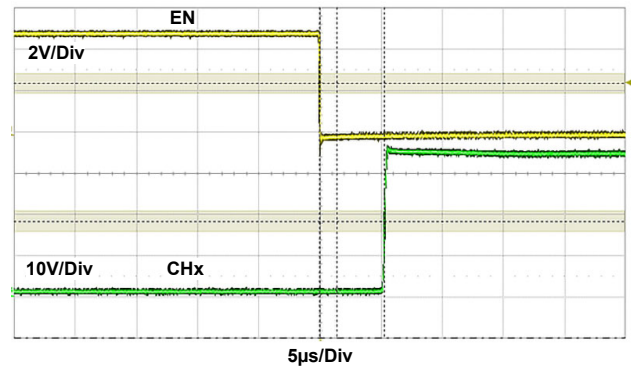


Figure 13. $T_{DISABLE}$ (t_{DIS})

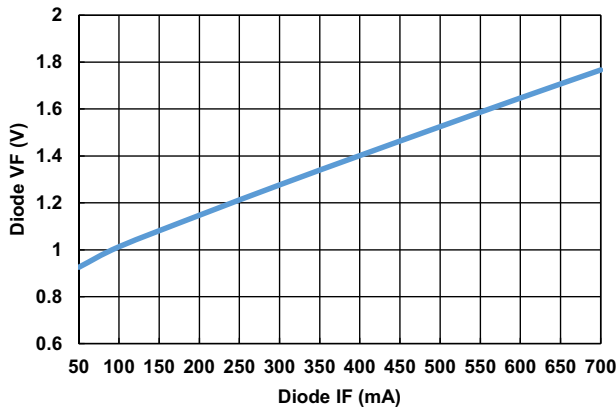


Figure 14. Clamp Diode Forward Voltage vs Diode Current

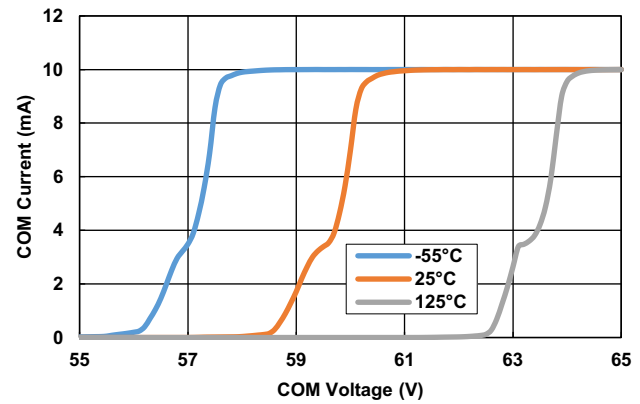


Figure 15. COM Breakdown Voltage (Current Limited to 10mA)

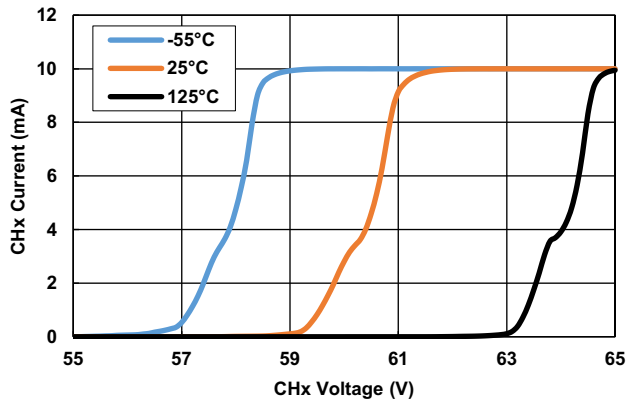


Figure 16. CHx Channel Breakdown Voltage (Current Limited to 10mA)

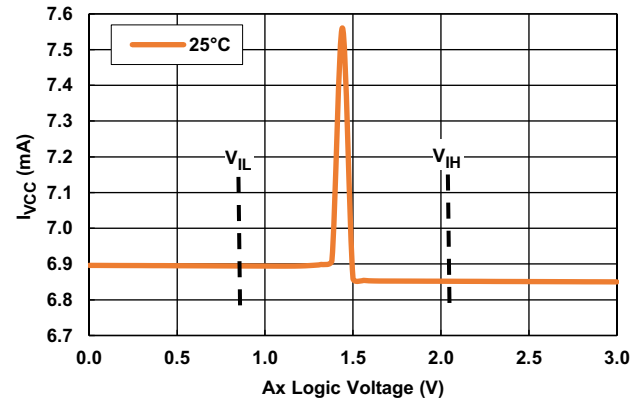


Figure 17. I_{VCC} vs Ax Logic Voltage vs Temperature

4. Applications Information

4.1 Functional Description

The ISL7x814SEH are radiation hardened, high-voltage, high-current, driver circuit ICs fabricated using the Renesas proprietary PR40 silicon-on-insulator process technology to mitigate single-event effects. The devices integrate 16 driver channels that feature a high-voltage (42V), high-current (700mA) open-emitter PNP output stage. The ISL72814SEH and ISL73814SEH integrate a 4-bit, 16-channel decoder with Enable that further reduces the solution size. This allows you to select 1 of 16 available driver channels or to disable all channels.

4.2 Ensuring Break-Before-Make (BBM) Operation

The ISL7x814SEH devices do not have internal circuitry to ensure Break-Before-Make (BBM) operation when switching from one channel to another. The design is prone to Make-Before-Break (MBB) operation if the following protocol is not observed and the possibility exists that multiple channels can be momentarily ON when switching from one channel to another.

If the logic settings at the A0-A3 address pins are changed while the output channels remain enabled (EN = High), there is a brief period of time that two or more channels can be on at the same time. Eventually, only the channel that is being addressed continues to be on and the other channels turn off.

During the period when multiple channels are simultaneously on, these channels conduct current through their respective switch cells into GND. This current draw, depending on the loading at the channels, could interfere with proper operation of the application. Care must be taken to prevent MBB operation by properly using the enable pin to implement BBM operation.

Ensuring BBM operation (only one channel on at any time) requires using the enable pin to disable all output channels before switching between channels. Complete the following steps to implement BBM operation:

- (1) Before switching from one channel to another, drive the enable pin (EN) to the LOW state (logic 0). This will turn all the channels off.
- (2) Wait at least 10 μ s after taking EN low before proceeding to Step 3. This allows the enable low state change to propagate through the internal logic.
- (3) Change the address to select the desired channel by applying the appropriate logic levels to the A0-A3 address pins.
- (4) Wait at least 10 μ s after changing the address state to allow the address change to propagate through the internal logic; then proceed to Step 5.
- (5) Drive the enable pin (EN) to the HIGH state (logic 1). This will enable the part. Only the channel that is addressed will be on.

4.3 Power Supply Sequencing

Starting with the VCC, COM, EN, CH0-CH15, and A0-A3 pins all at 0V, connect COM to the power supply of the CHx channel with the highest voltage, the recommended power-on sequence is:

- (1) VCC: Ramp the V_{CC} supply up no faster than $1V/\mu s$.
- (2) COM: Ramp the COM supply up no faster than $1V/\mu s$. Note: You must connect COM to the power supply of the CHx channel with the highest voltage.
- (3) A0-A3 Logic Inputs: Apply the correct logic voltages to these pins to select a driver channel.
- (4) CH0-CH15: Apply the voltage to the CHx channels.
- (5) EN Logic Input: Set to a logic 1 (High) to turn on the channel that is addressed by the logic levels at the A0-A3 logic pins.

Note:

- If VCC is left floating, it is possible for the current driven into the logic inputs to cause the part to begin operating.
- VCC should ramp no faster than $1V/\mu s$ to avoid turning ON unintended channels.

4.4 COM Pin

Each of the 16 driver channels has an internal kickback diode connected to the COM pin. The kickback diode allows the COM pin to suppress the inductive transient voltage generated when a channel is driven by a relay load. Connecting the COM pin to the same supply as the relay in the system with the highest DC coil voltage clamps any inductive transient voltage generated at a channel by preventing the channel voltage from exceeding the COM voltage by more than clamp diode forward voltage, which for a current of 700mA has a maximum V_F of 2.25V.

Note: If the COM pin is floating, the inductive kickback voltage can easily exceed the 42V breakdown of the driver circuit, which damages the part and other components in the system.

[Figure 18](#) shows a scope plot with the COM pin connected to a $28V_{DC}$ supply and the driver channel CH0 connected to a $28V_{DC}$ relay coil that draws 590mA when the channel is on. When the CH0 channel turns off, the voltage transient at the CH0 channel gets clamped to just a couple of volts above the 28V supply rail by the internal CH0 to COM kickback diode. Testing shows that if COM is left floating, the transient voltage at the CH0 channel while switching off can reach 60V and cause permanent damage to the driver circuit.

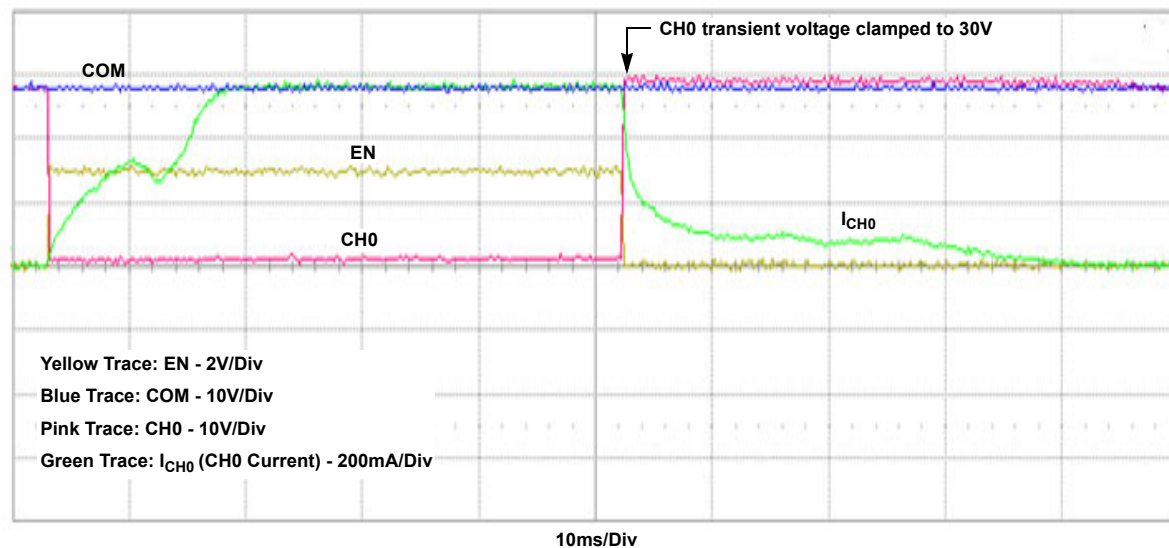


Figure 18. Plot when Switching $28V_{DC}$, 590mA Relay Coil with COM at $28V_{DC}$

When switching non inductive loads, tie the COM pin to the supply rail of the channel with the highest DC voltage.

5. Die and Assembly Characteristics

Table 2. Die and Assembly Related Information

Die Information	
Dimensions	5461 μ m x 6350 μ m (215 mils x 250 mils) Thickness: 482.6 μ m \pm 25.4 μ m (19 mils \pm 1 mil)
Interface Materials	
Glassivation	Type: Nitrox Thickness: 15k \AA
Top Metallization	Type: AlCu (99.5%/0.5%) Thickness: 30k \AA
Backside Finish	Silicon
Process	Dielectrically Isolated Advanced Bipolar Technology - PR40
Assembly Information	
Substrate Potential	Floating
Additional Information	
Worst Case Current Density	<2 x 10 ⁵ A/cm ²
Transistor Count	2075
Weight of Packaged Device	2.15 grams (typical) - K28.A package
Lid Characteristics	Finish: Gold Lid Potential: GND

5.1 Metallization Mask Layout

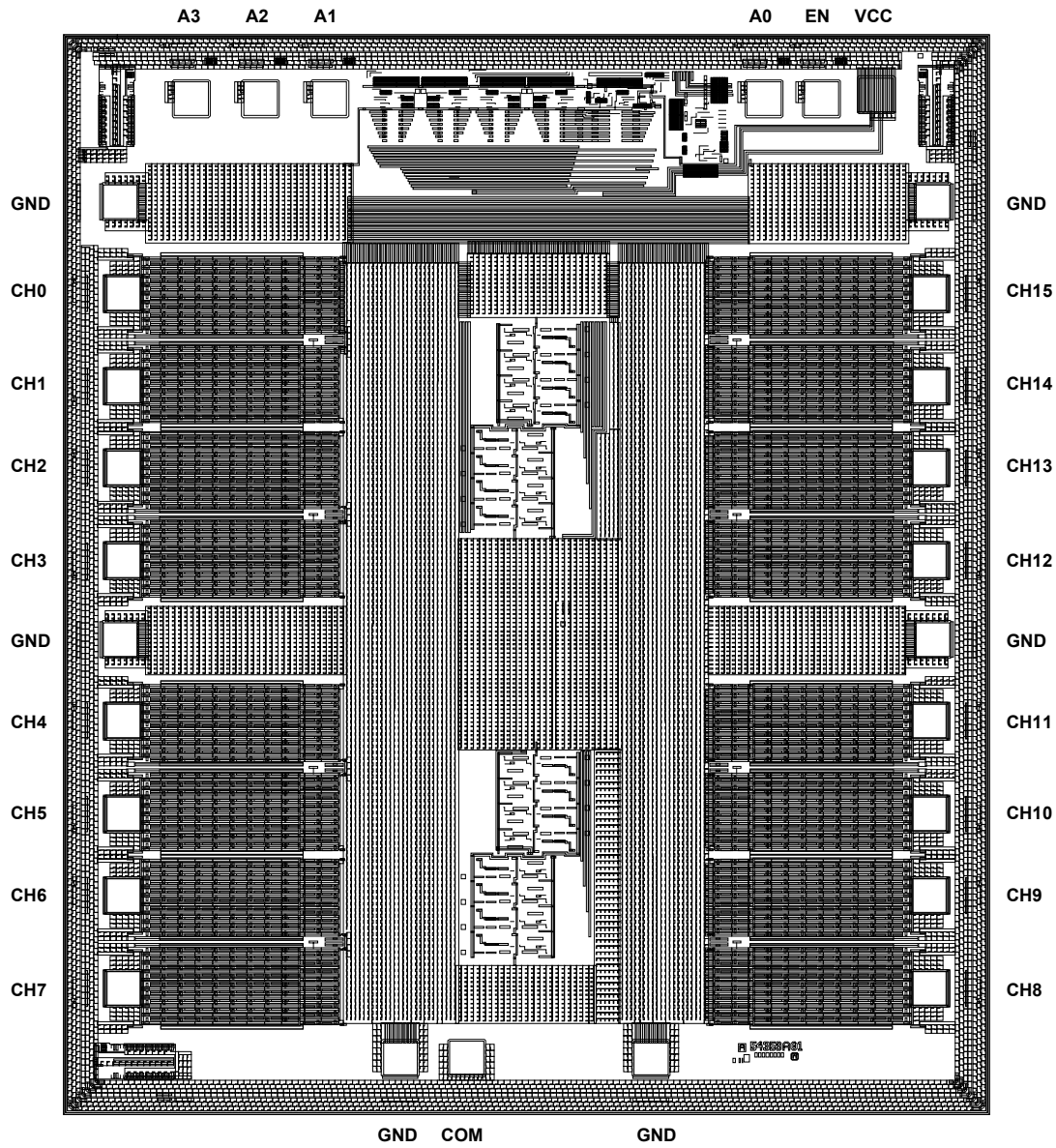


Table 3. Layout X-Y Coordinates (Centroid of bond pad)

Pad Name	Pad Number	X (µm)	Y (µm)
VCC	1	2020.5	2771.5
EN	2	1704.0	2749.0
A0	3	1372.0	2749.0
A1	4	-1137.0	2749.0
A2	5	-1537.0	2749.0
A3	6	-1937.0	2749.0
GND	7	-2347.5	2154.5
CH0	8	-2327.0	1624.0
CH1	9	-2327.0	1088.0
CH2	10	-2327.0	616.0
CH3	11	-2327.0	80.0
GND	12	-2347.5	-374.5
CH4	13	-2327.0	-846.0
CH5	14	-2327.0	-1382.0
CH6	15	-2327.0	-1854.0
CH7	16	-2327.0	-2390.0
GND	17	-729.0	-2792.0
COM	18	-345.5	-2792.0
GND	19	719.5	-2792.0
CH8	20	2327.0	-2390.0
CH9	21	2327.0	-1854.0
CH10	22	2327.0	-1382.0
CH11	23	2327.0	-846.0
GND	24	2347.5	-374.5
CH12	25	2327.0	80.0
CH13	26	2327.0	616.0
CH14	27	2327.0	1088.0
CH15	28	2327.0	1624.0
GND	29	2347.5	2154.5

Notes:

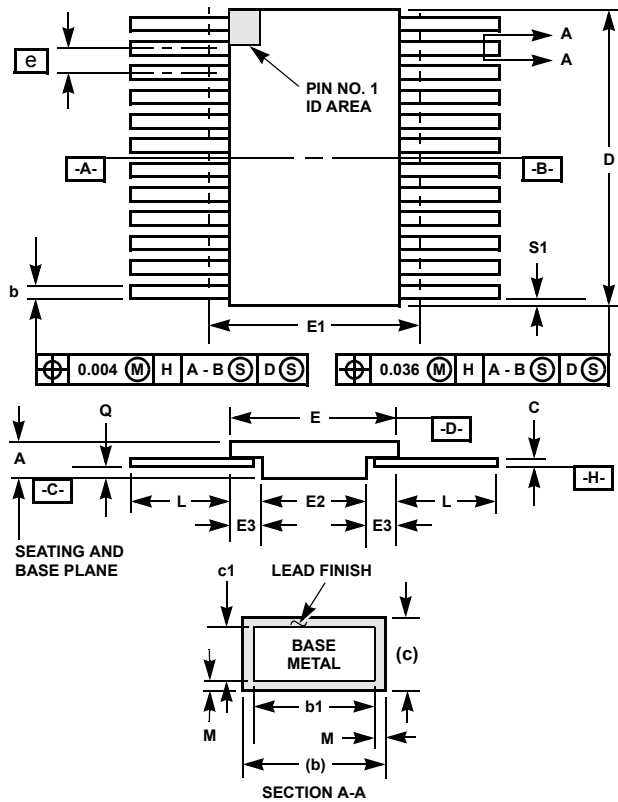
11. Origin of coordinates is the center of the die.
12. Pad size for all pads: 195µm x 195µm.
13. Bond wire size: 0.002".
14. Pad Number 17 does not get bonded out in the package version.

6. Revision History

Rev.	Date	Description
1.00	Feb 7, 2019	Initial release

7. Package Outline Drawing

For the most recent package outline drawing, see [K28.A](#).



K28.A MIL-STD-1835 CDFP3-F28 (F-11A, CONFIGURATION B)
28 lead ceramic metal seal flatpack package

SYMBOL	INCHES		MILLIMETERS		NOTES
	MIN	MAX	MIN	MAX	
A	0.045	0.115	1.14	2.92	-
b	0.015	0.022	0.38	0.56	-
b1	0.015	0.019	0.38	0.48	-
c	0.004	0.009	0.10	0.23	-
c1	0.004	0.006	0.10	0.15	-
D	-	0.740	-	18.80	3
E	0.460	0.520	11.68	13.21	-
E1	-	0.550	-	13.97	3
E2	0.180	-	4.57	-	-
E3	0.030	-	0.76	-	7
e	0.050 BSC		1.27 BSC		-
k	0.008	0.015	0.20	0.38	2
L	0.250	0.370	6.35	9.40	-
Q	0.026	0.045	0.66	1.14	8
S1	0.00	-	0.00	-	6
M	-	0.0015	-	0.04	-
N	28		28		-

Rev. 0 5/18/94

NOTES:

1. Index area: A notch or a pin one identification mark shall be located adjacent to pin one and shall be located within the shaded area shown. The manufacturer's identification shall not be used as a pin one identification mark. Alternately, a tab (dimension k) may be used to identify pin one.
2. If a pin one identification mark is used in addition to a tab, the limits of dimension k do not apply.
3. This dimension allows for off-center lid, meniscus, and glass over-run.
4. Dimensions b1 and c1 apply to lead base metal only. Dimension M applies to lead plating and finish thickness. The maximum limits of lead dimensions b and c or M shall be measured at the centroid of the finished lead surfaces, when solder dip or tin plate lead finish is applied.
5. N is the maximum number of terminal positions.
6. Measure dimension S1 at all four corners.
7. For bottom-brazed lead packages, no organic or polymeric materials shall be molded to the bottom of the package to cover the leads.
8. Dimension Q shall be measured at the point of exit (beyond the meniscus) of the lead from the body. Dimension Q minimum shall be reduced by 0.0015 inch (0.038mm) maximum when solder dip lead finish is applied.
9. Dimensioning and tolerancing per ANSI Y14.5M - 1982.
10. Controlling dimension: INCH.

Notice

1. Descriptions of circuits, software and other related information in this document are provided only to illustrate the operation of semiconductor products and application examples. You are fully responsible for the incorporation or any other use of the circuits, software, and information in the design of your product or system. Renesas Electronics disclaims any and all liability for any losses and damages incurred by you or third parties arising from the use of these circuits, software, or information.
 2. Renesas Electronics hereby expressly disclaims any warranties against and liability for infringement or any other claims involving patents, copyrights, or other intellectual property rights of third parties, by or arising from the use of Renesas Electronics products or technical information described in this document, including but not limited to, the product data, drawings, charts, programs, algorithms, and application examples.
 3. No license, express, implied or otherwise, is granted hereby under any patents, copyrights or other intellectual property rights of Renesas Electronics or others.
 4. You shall not alter, modify, copy, or reverse engineer any Renesas Electronics product, whether in whole or in part. Renesas Electronics disclaims any and all liability for any losses or damages incurred by you or third parties arising from such alteration, modification, copying or reverse engineering.
 5. Renesas Electronics products are classified according to the following two quality grades: "Standard" and "High Quality". The intended applications for each Renesas Electronics product depends on the product's quality grade, as indicated below.
 - "Standard": Computers; office equipment; communications equipment; test and measurement equipment; audio and visual equipment; home electronic appliances; machine tools; personal electronic equipment; industrial robots; etc.
 - "High Quality": Transportation equipment (automobiles, trains, ships, etc.); traffic control (traffic lights); large-scale communication equipment; key financial terminal systems; safety control equipment; etc.Unless expressly designated as a high reliability product or a product for harsh environments in a Renesas Electronics data sheet or other Renesas Electronics document, Renesas Electronics products are not intended or authorized for use in products or systems that may pose a direct threat to human life or bodily injury (artificial life support devices or systems; surgical implantations; etc.), or may cause serious property damage (space system; undersea repeaters; nuclear power control systems; aircraft control systems; key plant systems; military equipment; etc.). Renesas Electronics disclaims any and all liability for any damages or losses incurred by you or any third parties arising from the use of any Renesas Electronics product that is inconsistent with any Renesas Electronics data sheet, user's manual or other Renesas Electronics document.
 6. When using Renesas Electronics products, refer to the latest product information (data sheets, user's manuals, application notes, "General Notes for Handling and Using Semiconductor Devices" in the reliability handbook, etc.), and ensure that usage conditions are within the ranges specified by Renesas Electronics with respect to maximum ratings, operating power supply voltage range, heat dissipation characteristics, installation, etc. Renesas Electronics disclaims any and all liability for any malfunctions, failure or accident arising out of the use of Renesas Electronics products outside of such specified ranges.
 7. Although Renesas Electronics endeavors to improve the quality and reliability of Renesas Electronics products, semiconductor products have specific characteristics, such as the occurrence of failure at a certain rate and malfunctions under certain use conditions. Unless designated as a high reliability product or a product for harsh environments in a Renesas Electronics data sheet or other Renesas Electronics document, Renesas Electronics products are not subject to radiation resistance design. You are responsible for implementing safety measures to guard against the possibility of bodily injury, injury or damage caused by fire, and/or danger to the public in the event of a failure or malfunction of Renesas Electronics products, such as safety design for hardware and software, including but not limited to redundancy, fire control and malfunction prevention, appropriate treatment for aging degradation or any other appropriate measures. Because the evaluation of microcomputer software alone is very difficult and impractical, you are responsible for evaluating the safety of the final products or systems manufactured by you.
 8. Please contact a Renesas Electronics sales office for details as to environmental matters such as the environmental compatibility of each Renesas Electronics product. You are responsible for carefully and sufficiently investigating applicable laws and regulations that regulate the inclusion or use of controlled substances, including without limitation, the EU RoHS Directive, and using Renesas Electronics products in compliance with all these applicable laws and regulations. Renesas Electronics disclaims any and all liability for damages or losses occurring as a result of your noncompliance with applicable laws and regulations.
 9. Renesas Electronics products and technologies shall not be used for or incorporated into any products or systems whose manufacture, use, or sale is prohibited under any applicable domestic or foreign laws or regulations. You shall comply with any applicable export control laws and regulations promulgated and administered by the governments of any countries asserting jurisdiction over the parties or transactions.
 10. It is the responsibility of the buyer or distributor of Renesas Electronics products, or any other party who distributes, disposes of, or otherwise sells or transfers the product to a third party, to notify such third party in advance of the contents and conditions set forth in this document.
 11. This document shall not be reprinted, reproduced or duplicated in any form, in whole or in part, without prior written consent of Renesas Electronics.
 12. Please contact a Renesas Electronics sales office if you have any questions regarding the information contained in this document or Renesas Electronics products.
- (Note1) "Renesas Electronics" as used in this document means Renesas Electronics Corporation and also includes its directly or indirectly controlled subsidiaries.
- (Note2) "Renesas Electronics product(s)" means any product developed or manufactured by or for Renesas Electronics.

(Rev.4.0-1 November 2017)

Corporate Headquarters

TOYOSU FORESIA, 3-2-24 Toyosu,
Koto-ku, Tokyo 135-0061, Japan
www.renesas.com

Contact Information

For further information on a product, technology, the most up-to-date version of a document, or your nearest sales office, please visit:
www.renesas.com/contact/

Trademarks

Renesas and the Renesas logo are trademarks of Renesas Electronics Corporation. All trademarks and registered trademarks are the property of their respective owners.