

To our customers,

---

## Old Company Name in Catalogs and Other Documents

---

On April 1<sup>st</sup>, 2010, NEC Electronics Corporation merged with Renesas Technology Corporation, and Renesas Electronics Corporation took over all the business of both companies. Therefore, although the old company name remains in this document, it is a valid Renesas Electronics document. We appreciate your understanding.

Renesas Electronics website: <http://www.renesas.com>

April 1<sup>st</sup>, 2010  
Renesas Electronics Corporation

Issued by: Renesas Electronics Corporation (<http://www.renesas.com>)

Send any inquiries to <http://www.renesas.com/inquiry>.

## Notice

1. All information included in this document is current as of the date this document is issued. Such information, however, is subject to change without any prior notice. Before purchasing or using any Renesas Electronics products listed herein, please confirm the latest product information with a Renesas Electronics sales office. Also, please pay regular and careful attention to additional and different information to be disclosed by Renesas Electronics such as that disclosed through our website.
2. Renesas Electronics does not assume any liability for infringement of patents, copyrights, or other intellectual property rights of third parties by or arising from the use of Renesas Electronics products or technical information described in this document. No license, express, implied or otherwise, is granted hereby under any patents, copyrights or other intellectual property rights of Renesas Electronics or others.
3. You should not alter, modify, copy, or otherwise misappropriate any Renesas Electronics product, whether in whole or in part.
4. Descriptions of circuits, software and other related information in this document are provided only to illustrate the operation of semiconductor products and application examples. You are fully responsible for the incorporation of these circuits, software, and information in the design of your equipment. Renesas Electronics assumes no responsibility for any losses incurred by you or third parties arising from the use of these circuits, software, or information.
5. When exporting the products or technology described in this document, you should comply with the applicable export control laws and regulations and follow the procedures required by such laws and regulations. You should not use Renesas Electronics products or the technology described in this document for any purpose relating to military applications or use by the military, including but not limited to the development of weapons of mass destruction. Renesas Electronics products and technology may not be used for or incorporated into any products or systems whose manufacture, use, or sale is prohibited under any applicable domestic or foreign laws or regulations.
6. Renesas Electronics has used reasonable care in preparing the information included in this document, but Renesas Electronics does not warrant that such information is error free. Renesas Electronics assumes no liability whatsoever for any damages incurred by you resulting from errors in or omissions from the information included herein.
7. Renesas Electronics products are classified according to the following three quality grades: “Standard”, “High Quality”, and “Specific”. The recommended applications for each Renesas Electronics product depends on the product’s quality grade, as indicated below. You must check the quality grade of each Renesas Electronics product before using it in a particular application. You may not use any Renesas Electronics product for any application categorized as “Specific” without the prior written consent of Renesas Electronics. Further, you may not use any Renesas Electronics product for any application for which it is not intended without the prior written consent of Renesas Electronics. Renesas Electronics shall not be in any way liable for any damages or losses incurred by you or third parties arising from the use of any Renesas Electronics product for an application categorized as “Specific” or for which the product is not intended where you have failed to obtain the prior written consent of Renesas Electronics. The quality grade of each Renesas Electronics product is “Standard” unless otherwise expressly specified in a Renesas Electronics data sheets or data books, etc.
  - “Standard”: Computers; office equipment; communications equipment; test and measurement equipment; audio and visual equipment; home electronic appliances; machine tools; personal electronic equipment; and industrial robots.
  - “High Quality”: Transportation equipment (automobiles, trains, ships, etc.); traffic control systems; anti-disaster systems; anti-crime systems; safety equipment; and medical equipment not specifically designed for life support.
  - “Specific”: Aircraft; aerospace equipment; submersible repeaters; nuclear reactor control systems; medical equipment or systems for life support (e.g. artificial life support devices or systems), surgical implantations, or healthcare intervention (e.g. excision, etc.), and any other applications or purposes that pose a direct threat to human life.
8. You should use the Renesas Electronics products described in this document within the range specified by Renesas Electronics, especially with respect to the maximum rating, operating supply voltage range, movement power voltage range, heat radiation characteristics, installation and other product characteristics. Renesas Electronics shall have no liability for malfunctions or damages arising out of the use of Renesas Electronics products beyond such specified ranges.
9. Although Renesas Electronics endeavors to improve the quality and reliability of its products, semiconductor products have specific characteristics such as the occurrence of failure at a certain rate and malfunctions under certain use conditions. Further, Renesas Electronics products are not subject to radiation resistance design. Please be sure to implement safety measures to guard them against the possibility of physical injury, and injury or damage caused by fire in the event of the failure of a Renesas Electronics product, such as safety design for hardware and software including but not limited to redundancy, fire control and malfunction prevention, appropriate treatment for aging degradation or any other appropriate measures. Because the evaluation of microcomputer software alone is very difficult, please evaluate the safety of the final products or system manufactured by you.
10. Please contact a Renesas Electronics sales office for details as to environmental matters such as the environmental compatibility of each Renesas Electronics product. Please use Renesas Electronics products in compliance with all applicable laws and regulations that regulate the inclusion or use of controlled substances, including without limitation, the EU RoHS Directive. Renesas Electronics assumes no liability for damages or losses occurring as a result of your noncompliance with applicable laws and regulations.
11. This document may not be reproduced or duplicated, in any form, in whole or in part, without prior written consent of Renesas Electronics.
12. Please contact a Renesas Electronics sales office if you have any questions regarding the information contained in this document or Renesas Electronics products, or if you have any other inquiries.

(Note 1) “Renesas Electronics” as used in this document means Renesas Electronics Corporation and also includes its majority-owned subsidiaries.

(Note 2) “Renesas Electronics product(s)” means any product developed or manufactured by or for Renesas Electronics.

To all our customers

---

## **Regarding the change of names mentioned in the document, such as Mitsubishi Electric and Mitsubishi XX, to Renesas Technology Corp.**

---

The semiconductor operations of Hitachi and Mitsubishi Electric were transferred to Renesas Technology Corporation on April 1st 2003. These operations include microcomputer, logic, analog and discrete devices, and memory chips other than DRAMs (flash memory, SRAMs etc.) Accordingly, although Mitsubishi Electric, Mitsubishi Electric Corporation, Mitsubishi Semiconductors, and other Mitsubishi brand names are mentioned in the document, these names have in fact all been changed to Renesas Technology Corp. Thank you for your understanding. Except for our corporate trademark, logo and corporate statement, no changes whatsoever have been made to the contents of the document, and these changes do not constitute any alteration to the contents of the document itself.

Note : Mitsubishi Electric will continue the business operations of high frequency & optical devices and power devices.

Renesas Technology Corp.  
Customer Support Dept.  
April 1, 2003

## PRELIMINARY

Notice ; This is not a final specification.

Some parametric limits are subject to change.

TUNER SINGLE CHIP

## DESCRIPTION

The M61130FP is a semiconductor integrated circuit consisting of Tuner signal processing for NTSC color TV sets and VCRs. The circuit includes Mixer circuit in Tuning system, Oscillator circuit, PLL frequency synthesizer and VIF/SIF, which permits a smaller tuner system.

## FEATURES

- VIF/SIF
  - Inter carrier type for NTSC
  - Coil-less VCO
  - Adjustment free AFT
  - High-speed IF AGC
- PLL
  - Low phase noise and High-speed lock-up
  - Built-in band switch driver (4 port)
  - I<sup>2</sup>C bus control
  - Available for both XO and external reference
- Mixer/Oscillator
  - Built-in U&V oscillator and mixer
  - Built-in UV band switch

## APPLICATION

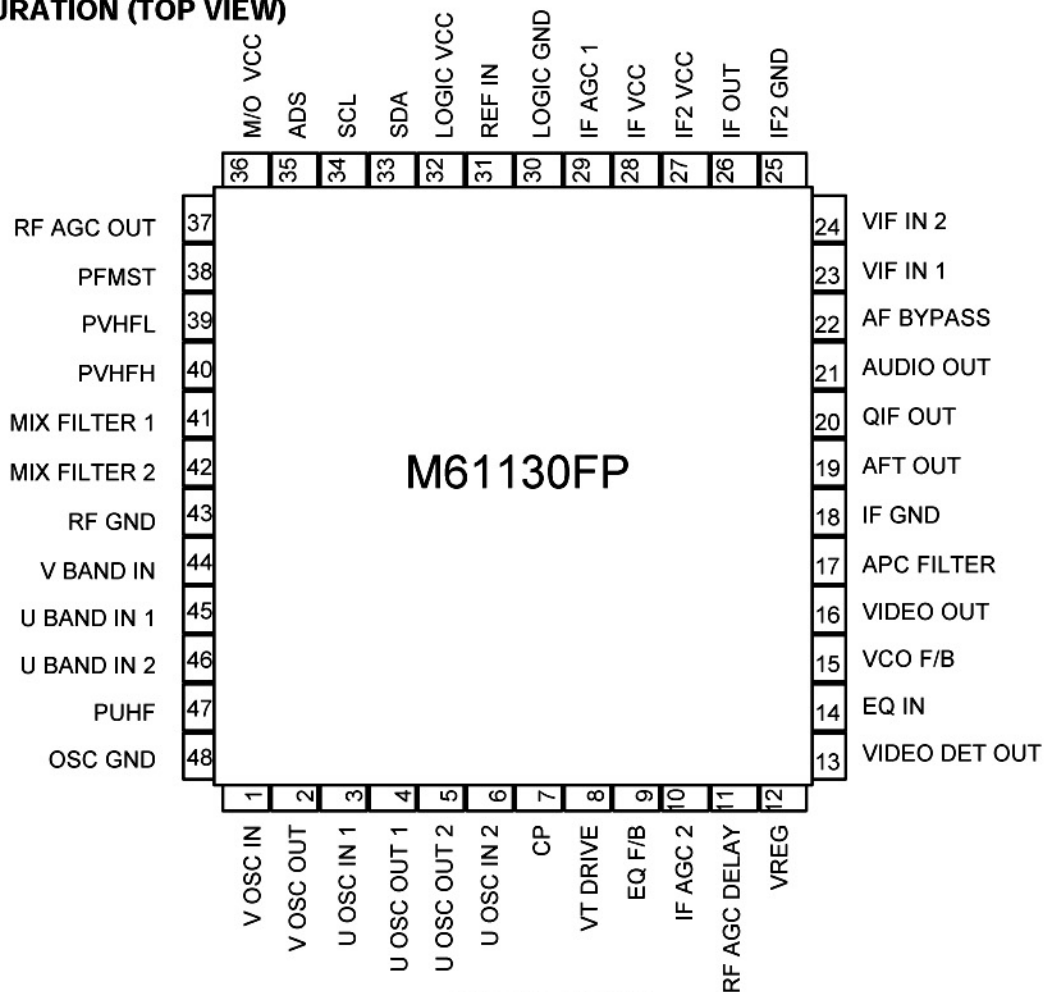
TV, VTR

## RECOMMENDED OPERATING CONDITIONS

Supply voltage range.....4.75 to 5.25V

Recommended supply voltage.....5.0V

## PIN CONFIGURATION (TOP VIEW)



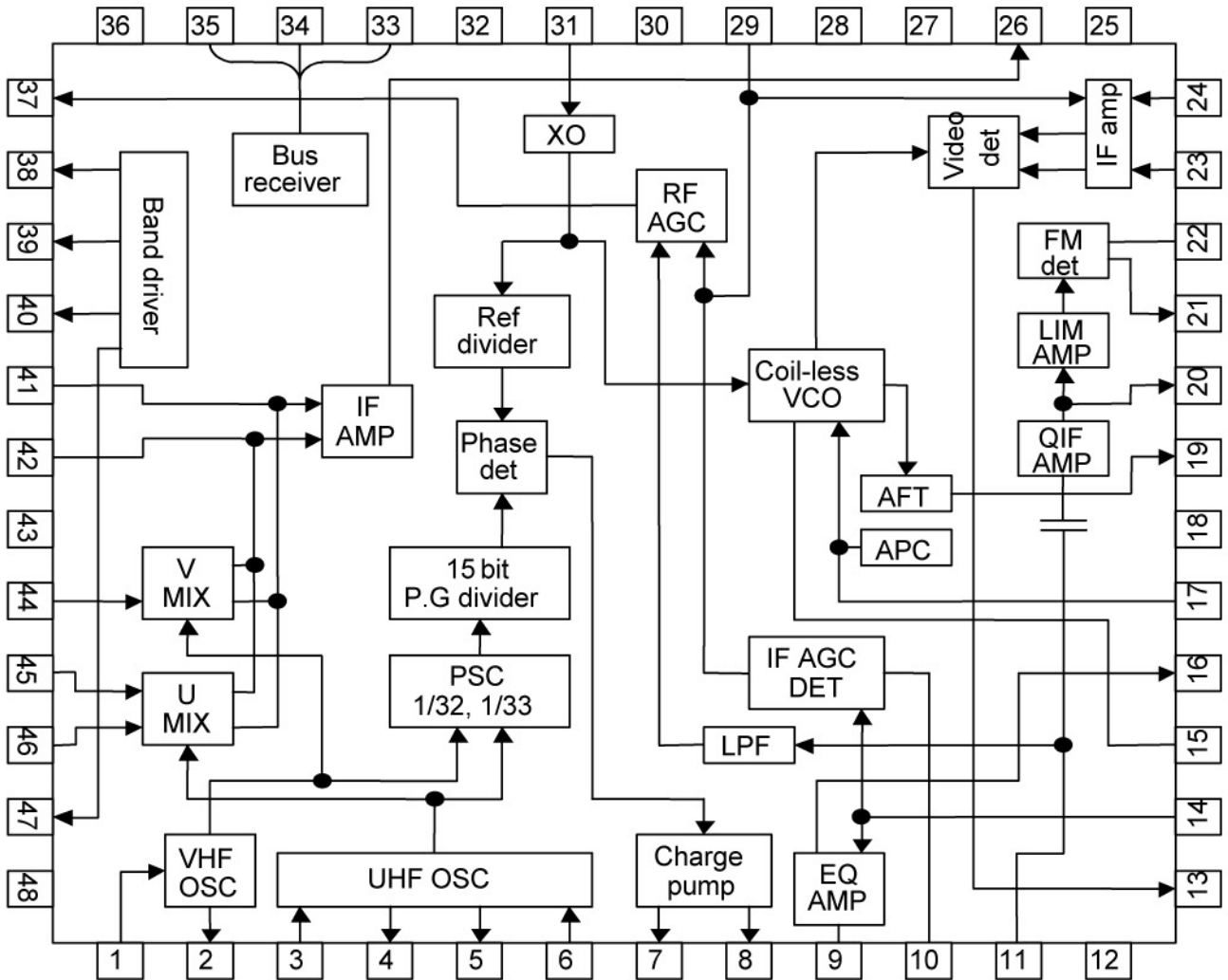
Outline 48P6Q

PRELIMINARY

Notice ; This is not a final specification.  
Some parametric limits are subject to change.

TUNER SINGLE CHIP

BLOCK DIAGRAM



## PRELIMINARY

Notice ; This is not a final specification.

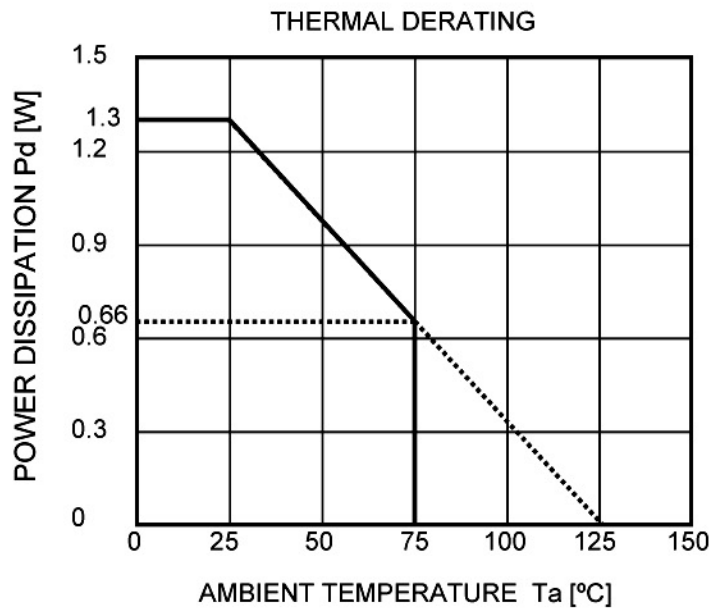
Some parametric limits are subject to change.

TUNER SINGLE CHIP

**ABSOLUTE MAXIMUM RATINGS** (Ta=25°C, unless otherwise noted)

| Symbol | Parameter             | Rating      | Unit |
|--------|-----------------------|-------------|------|
| Vcc    | Supply Voltage        | 6.0         | V    |
| Pd     | Power Dissipation     | 658         | mW   |
| Topr   | Operating temperature | -20 to +75  | °C   |
| Tstg   | Storage temperature   | -40 to +150 | °C   |

## TYPICAL CHARACTERISTICS

**ELECTRICAL CHARACTERISTICS** (Ta=25°C, unless otherwise noted)

| Symbol     | Parameter                   | Measure Point | Test conditions         | Limits |     |      | Unit  |
|------------|-----------------------------|---------------|-------------------------|--------|-----|------|-------|
|            |                             |               |                         | Min    | Typ | Max  |       |
| IF Icc     | IF Vcc current              | 28            |                         | -      | 70  | 84   | mA    |
| MO Icc     | M/O Vcc current             | 36            |                         | -      | 21  | 25   | mA    |
| Log Icc    | Logic Vcc current           | 32            | Port output off         | -      | 14  | 20   | mA    |
| Log Icc(U) | Logic Vcc current(UHF)      | 32            | Io <sub>BS</sub> =-22mA | -      | 40  | 46   | mA    |
| Log Icc(V) | Logic Vcc current(VHF)      | 32            | Io <sub>BS</sub> =-25mA | -      | 43  | 50   | mA    |
| Log Icc(F) | Logic Vcc current(FM)       | 32            | Io <sub>BS</sub> =-15mA | -      | 32  | 38   | mA    |
| Ibavideo   | Video out bias current      | 16            |                         | 1.4    | 1.9 | 2.4  | mA    |
| IbaAudio   | Audio out bias current      | 21            |                         | 1.0    | 1.3 | 1.6  | mA    |
| IbaQIF     | 4.5MHz QIF out bias current | 20            |                         | 0.9    | 1.2 | 1.5  | mA    |
| Vreg       | Regulator voltage           | 12            |                         | 2.65   | 2.8 | 2.95 | V     |
| fxosc      | X'tal frequency             | 31            | PLL function range      | 3.0    | 4.0 | 4.8  | MHz   |
| frefin     | Ref. signal frequency       | 31            | PLL function range      | 3.0    | 4.0 | 5.0  | MHz   |
| Vifrefin   | Ref. signal input level     | 31            |                         | 50     | -   | 600  | mVp-p |

PRELIMINARY

Notice ; This is not a final specification.  
Some parametric limits are subject to change.

TUNER SINGLE CHIP

ELECTRICAL CHARACTERISTICS (cont.)

M/O

| Symbol              | Parameter            | Measure Point | Test conditions       | Limits |     |     | Unit |
|---------------------|----------------------|---------------|-----------------------|--------|-----|-----|------|
|                     |                      |               |                       | Min    | Typ | Max |      |
| Band VHF Mixer      |                      |               | RL=75Ω                |        |     |     |      |
| GpVHF1              | Conversion gain1     | 26,44         | fRF=57.5MHz           | 16     | 19  | 22  | dB   |
| GpVHF2              | Conversion gain2     | 26,44         | fRF=357.5MHz          | 16     | 19  | 22  | dB   |
| NFVHF               | Noise figure         | 26,44         | fRf=57.5~357.5MHz     |        | 11  |     | dB   |
| CM1VHF              | 1% cross modulation1 | 26,44         | fRF=55.25MHz          | 90     |     |     | dB□V |
| CM2VHF              | 1% cross modulation2 | 26,44         | fRF=361.25MHz         | 90     |     |     | dB□V |
| Band UHF Mixer      |                      |               | RL=75Ω                |        |     |     |      |
| GpUHF1              | Conversion gain1     | 26,45,46      | fRF=369.5MHz          | 26     | 29  | 32  | dB   |
| GpUHF2              | Conversion gain2     | 26,45,46      | fRF=803.5MHz          | 26     | 29  | 32  | dB   |
| NFUHF               | Noise figure         | 26,45,46      | fRF=369.5~803.5MHz    |        | 10  |     | dB   |
| CM1UHF              | 1% cross modulation1 | 26,45,46      | fRF=367.25MHz         | 80     |     |     | dB□V |
| CM2UHF              | 1% cross modulation2 | 26,45,46      | fRF=801.25MHz         | 80     |     |     | dB□V |
| Band VHF Oscillator |                      |               |                       |        |     |     |      |
| foVHF               | Operation range      | 26            |                       | 101    |     | 407 | MHz  |
| fosc(v)             | Supply voltage drift | 26            | Vcc=5%                |        | 100 |     | KHz  |
| foV(t)              | SW ON drift          | 26            | 3sec~3min after SW ON |        | 200 |     | KHz  |
| Band UHF Oscillator |                      |               |                       |        |     |     |      |
| foUHF               | Operation range      | 26            |                       | 413    |     | 847 | MHz  |
| fosc(U)             | Supply voltage drift | 26            | Vcc=5%                |        | 100 |     | KHz  |
| foU(t)              | SW ON drift          | 26            | 3sec~3min after SW ON |        | 200 |     | KHz  |

PLL

| Symbol          | Parameter         | Measure Point  | Test conditions                  | Limits |     |         | Unit |
|-----------------|-------------------|----------------|----------------------------------|--------|-----|---------|------|
|                 |                   |                |                                  | Min    | Typ | Max     |      |
| Input terminals |                   |                |                                  |        |     |         |      |
| ViH             | Hi input voltage  | 33,34          |                                  | 3.0    | -   | Vcc+0.3 | V    |
| ViL             | Lo input voltage  | 33,34          |                                  | -      | -   | 1.5     | V    |
| IiH1            | Hi input current  | 33,34          | Vcc=5.5V,Vi=4.0V                 | -      | -   | 10      | □A   |
| IiL1            | Lo input current  | 33,34          | Vcc=5.5V,Vi=0.4V                 | -      | -   | -10     | □A   |
| SDA output      |                   |                |                                  |        |     |         |      |
| VsiL            | Lo output voltage | 34             | Vcc=5.5V,Io=3mA                  | -      | -   | 0.4     | V    |
| IsLK            | Leakage current   | 34             | Vcc=5.5V,Vo=5.5V                 | -      | -2  | -10     | □A   |
| ADS input       |                   |                |                                  |        |     |         |      |
| IiH2            | Hi input current  | 35             | Vcc=5.5V,Vi=5.0V                 | -      | -   | 10      | □A   |
| IiL2            | Lo input current  | 35             | Vcc=5.5V,Vi=1.5V                 | -      | -15 | -30     | □A   |
| Band output     |                   |                |                                  |        |     |         |      |
| VoBS1           | Output voltage1   | 39,40          | Vcc=5.0V,Io=-25mA<br>PVHFL,PVHFH | 4.6    | 4.8 | -       | V    |
| VoBS2           | Output voltage2   | 47             | Vcc=5.0V,Io=-22mA,PUHF           | 4.6    | 4.8 | -       | V    |
| VoBS3           | Output voltage3   | 38             | Vcc=5.0V,Io=-5mA,PFMST           | 4.6    | 4.8 | -       | V    |
| IoBSLK          | Leakage current   | 38,39,40<br>47 | Vcc=5.5V,Output is OFF           | -      | -   | 10      | □A   |
| Charge pump     |                   |                |                                  |        |     |         |      |
| IcpH            | Hi output current | 7              | Vcc=5.5V,Vo=2.5V,CP=1            | 160    | 270 | 360     | □A   |
| IcpL            | Lo output current | 7              | Vcc=5.5V,Vo=2.5V,CP=0            | 50     | 70  | 110     | □A   |
| IcpLK           | Leakage current   | 7              | Vcc=5.5V,Vo=5.5V,T2,T1=0         | -      | -   | 50      | nA   |

## PRELIMINARY

Notice ; This is not a final specification.

Some parametric limits are subject to change.

TUNER SINGLE CHIP

## ELECTRICAL CHARACTERISTICS (cont.)

VIF/SIF

| Symbol | Parameter                 | Measure Point | Test conditions              | Limits |     |     | Unit   |
|--------|---------------------------|---------------|------------------------------|--------|-----|-----|--------|
|        |                           |               |                              | Min    | Typ | Max |        |
| VoDET  | Video output level        | 16            | IF 77.78%, 15.7KHz AM, 90dB□ | 1.1    | 1.3 | 1.5 | Vp-p   |
| Vsync  | Sync tip voltage          | 13            |                              | 1.1    | 1.3 | 1.5 | V      |
| VSN    | Video S/N                 | 13            | with 6MHz LPF, 90dB□V        | 48     | 50  | -   | dB     |
| BW     | Video out freq. response  | 16            | loss 6MHz                    | -      | 3   | 5   | dB     |
| VINMIN | Input sensitivity         | 13,23,24      | -3dB down point              |        | 45  | 49  | dB□V   |
| VINMAX | Max. IF input             | 13,23,24      | +3dB up point                | 101    | 105 | -   | dB□V   |
| GR     | AGC range                 | -             |                              | 54     | 60  | -   | dB     |
| V10    | IF AGC voltage            | 10            |                              | 2.7    | 2.9 | 3.1 | V      |
| V10L   | IF AGC min. voltage       | 10            | 110dB□V                      | 1.9    | 2.1 | 2.3 | V      |
| CL-U   | Capture range U           | 23,24         | 45.75MHz, 90dB□V             | 1.5    | 2.5 | -   | MHz    |
| CL-L   | Capture range L           | 23,24         | 45.75MHz, 90dB□V             | 1.5    | 1.9 | -   | MHz    |
| D/G    | D/G                       | 13            |                              | -      | 3   | 5   | %      |
| D/P    | D/P                       | 13            |                              | -      | 3   | 5   | deg    |
| RINV   | VIF input impedance       | 23,24         | DC                           | -      | 2k  | -   | Ω      |
| CINV   | VIF input capacitance     | 23,24         | 40MHz                        | -      | 5   | -   | pF     |
| foC1   | AFT Center freq. 45.75MHz | 19,23,24      | pin19 voltage = Vcc/2        | -30    | fo  | +30 | KHz    |
| foC2   | AFT Center freq. 58.75MHz | 19,23,24      | pin19 voltage = Vcc/2        | -30    | fo  | +30 | KHz    |
| V19H   | Hi output voltage         | 19            | Vcc=5.0V                     | 4.3    | 4.7 | 5.0 | V      |
| V19L   | Lo output voltage         | 19            |                              | 0      | 0.3 | 0.7 | V      |
| V19C   | Center voltage            | 19            | 45.75MHz                     | 2.3    | 2.5 | 2.7 | V      |
| □      | Sensitivity               | 19            | 360KΩ//360KΩ                 | 10     | 24  | 36  | mV/KHz |
| VRFH   | RFAGC Hi output voltage   | 37            | open                         | 4.4    | 4.7 | 5.0 | V      |
| VRFLV  | RFAGC Lo output voltage   | 37            | open                         | 0      | 0.3 | 0.6 | V      |
| RFDLY  | RFAGC Delay point         | 23,24,37      | @11pin 2V                    | 87     | 90  | 93  | dB□V   |
| VoAF   | Audio out level           | 21            | 4.5MHz±25kHz 1kHz            | 660    | 770 | 880 | mVrms  |
| THDAF  | Audio out THD             | 21            | 4.5MHz±25kHz 1kHz            | -      | 0.2 | 0.9 | %      |
| AFSN   | Audio out S/N             | 21            | 4.5MHz±25kHz 1kHz            | 54     | 57  | -   | dB     |
| LIM    | Limiting sensitivity      | 11,21         |                              | -      | 50  | 55  | dB□V   |
| AMR    | AMR                       | 21            |                              | 50     | 55  | -   | dB     |
| VoQIF  | QIF output                | 20            |                              | 94     | 100 | -   | dB□V   |



PRELIMINARY

Notice ; This is not a final specification.  
Some parametric limits are subject to change.

TUNER SINGLE CHIP

CONTROL TABLE

VIF frequency select

|       |               |                  |
|-------|---------------|------------------|
|       | VIF frequency | 20pin condition  |
| US    | 45.75 MHz     | none             |
| JAPAN | 58.75 MHz     | pull down (1.5K) |

Ref input

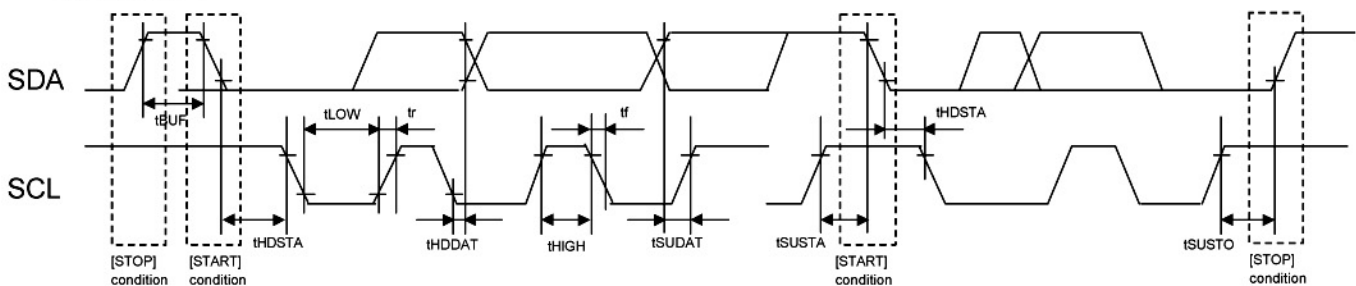
|                |                 |
|----------------|-----------------|
| Ref in (31pin) | 31pin condition |
| INT            | none            |
| EXT            | pull down (2K)  |

BUS CONTROL

1)ELECTRICAL CHARACTERISTICS

| Symbol | Parameter          | Measure Point | Test conditions | Limits |     |     | Unit |
|--------|--------------------|---------------|-----------------|--------|-----|-----|------|
|        |                    |               |                 | Min    | Typ | Max |      |
| fSCL   | Clock frequency    | 33            |                 | 0      | 100 | 400 | KHz  |
| tBUF   | Bus free time      | 34            |                 | 1.3    | -   | -   | □sec |
| tHDSTA | Data hold time     | 34            |                 | 0.6    | -   | -   | □sec |
| tLOW   | SCL LOW hold time  | 33            |                 | 1.3    | -   | -   | □sec |
| tHIGH  | SCL HIGH hold time | 33            |                 | 0.6    | -   | -   | □sec |
| tSUSTA | Set up time        | 33,34         |                 | 0.6    | -   | -   | □sec |
| tHDDAT | Data hold time     | 33,34         |                 | 0      | -   | -   | □sec |
| tSUDAT | Data set up time   | 33,34         |                 | 100    | -   | -   | nsec |
| tR     | Rise time          | 33,34         |                 | -      | -   | 300 | nsec |
| tF     | Fall time          | 33,34         |                 | -      | -   | 300 | nsec |
| tSUSTO | Set up time        | 33            |                 | 0.6    | -   | -   | □sec |

Timing Chart 1



2)Setting Data

The input information consisting of data of 2 or 4 bytes after chip address is received into I<sup>2</sup>C bus receiver. The definition of bus protocol admitted is shown as below.

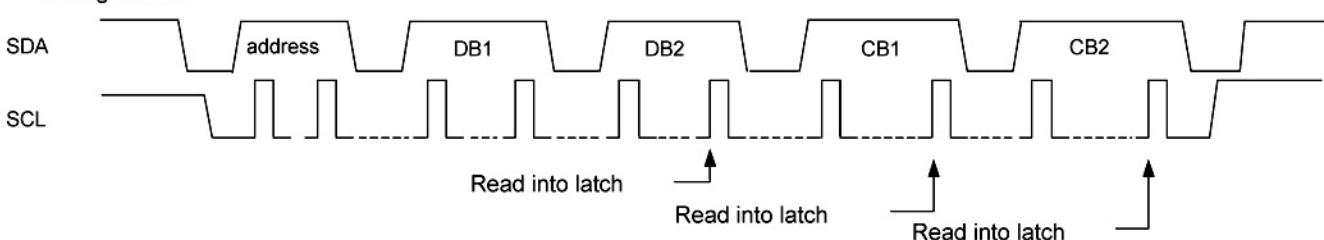
|        |     |    |     |     |     |     |     |     |                       |
|--------|-----|----|-----|-----|-----|-----|-----|-----|-----------------------|
| Mode_1 | STA | CA | DB1 | DB2 | CB1 | CB2 | STO | STA | : Start condition     |
| Mode_2 | STA | CA | CB1 | CB2 | DB1 | DB2 | STO | STO | : Stop condition      |
| Mode_3 | STA | CA | DB1 | DB2 | STO |     |     | CA  | : Chip address        |
| Mode_4 | STA | CA | CB1 | CB2 | STO |     |     | DB1 | : Divider data byte 1 |
|        |     |    |     |     |     |     |     | DB2 | : Divider data byte 2 |
|        |     |    |     |     |     |     |     | CB1 | : Control data byte 1 |
|        |     |    |     |     |     |     |     | CB2 | : Band data byte 2    |

The information of 5 bytes required for circuit operational chip address, control data and band SW data of 2 bytes and divider data of 2 bytes. After the chip address input, 2 or 4 bytes can be received. Function bit is contained in the first and the third data byte to distinguish between divider and 'control data/band SW data', with "0" going ahead of divider data, and "1" going ahead of control data/band SW data'.

The timing of Writing data for bus protocol Mode is shown in the figure below. Divider data uses 15 bits and is read in at the rise of the eighth clock bit of the second byte divider data (D2).

Control data (CB) and band SW-data (BB) are each read in at the rise of their eighth clock bit.

Timing Chart 2



**PRELIMINARY**

Notice ; This is not a final specification.  
Some parametric limits are subject to change.

**TUNER SINGLE CHIP**

Write mode data format

| Byte                | MSB |     |     |     |      |       | LSB   |       |   |
|---------------------|-----|-----|-----|-----|------|-------|-------|-------|---|
| Address Byte (CA)   | 1   | 1   | 0   | 0   | 0    | MA1   | MA0   | R/W=0 | A |
| Divider Byte1 (DB1) | 0   | N14 | N13 | N12 | N11  | N10   | N9    | N8    | A |
| Divider Byte2 (DB2) | N7  | N6  | N5  | N4  | N3   | N2    | N1    | N0    | A |
| Control Byte (CB1)  | 1   | CP  | T2  | T1  | T0   | Rsa   | Rsb   | OS    | A |
| Band Byte (CB2)     | RE  | AFT | X   | X   | PUHF | PFMST | PVHFH | PVHFL | A |

MA1,MA0 : Programmable Address Bit

| Address input voltage applied to ADS [V] | MA1 | MA0 |
|--|-----|-----|
| 0 to 0.1×Vcc                             | 0   | 0   |
| Always Valid                             | 0   | 1   |
| 0.4×Vcc to 0.6×Vcc                       | 1   | 0   |
| 0.9×Vcc to Vcc                           | 1   | 1   |

N14 to N0 : How to set division ratio of the programmable divider

Division ratio N:  $N=N14(2^{14})+N13(2^{13})+ \dots +N0(2^0)$   
 Range of division ratio N: N=1,024 to 32,767  
 Frequency of VCO f<sub>vco</sub>:  $f_{vco}=f_{ref} \times N$

CP : Set up the charge pump current

| CP | Charge pump current |
|----|---------------------|
| 0  | 70□A                |
| 1  | 270□A               |

In the case of setting current 270□A,  
when PLL is locked, charge pump current is  
automatically switched to CP=0 (70□A).

T2,T1,T0 : Set up for test mode

| CP | T2 | T1 | T0 | Charge pump               | Test output | Test SW | Mode        |
|----|----|----|----|---------------------------|-------------|---------|-------------|
| 0  | 0  | 0  | X  | CP switched off           | -           | OFF     | Normal mode |
| 1  | 0  | 0  | X  | CP switched on            | -           | OFF     | Normal mode |
| X  | 0  | 1  | X  | High impedance            | -           | OFF     | Test mode   |
| 0  | 1  | 1  | 0  | Sink, CP current "Low"    | -           | OFF     | Test mode   |
| 1  | 1  | 1  | 0  | Sink, CP current "High"   | -           | OFF     | Test mode   |
| 0  | 1  | 1  | 1  | Source, CP current "Low"  | -           | OFF     | Test mode   |
| 1  | 1  | 1  | 1  | Source, CP current "High" | -           | OFF     | Test mode   |
| 0  | 1  | 0  | 0  | High impedance            | fREF        | OFF     | Test mode   |
| 1  | 1  | 0  | X  | CP switched on            | -           | ON      | Test mode   |
| 0  | 1  | 0  | 1  | High impedance            | f1/N        | OFF     | Test mode   |

Note : fREF and f1/N is available on pin PFMST  
: Test SW is for the mix filter damping switch

Rsa,Rsb : Set up tuning step

| Rsa | Rsb | Division ratio | tuning step frequency |
|-----|-----|----------------|-----------------------|
| 0   | 1   | 1/128          | 31.25KHz              |
| 1   | 1   | 1/64           | 62.5KHz               |
| X   | 0   | 1/80           | 50.0KHz               |

@4MHz X'tal

OS : Set up drive output

| OS | Drive output  | Mode        |
|----|---------------|-------------|
| 0  | ON            | Normal mode |
| 1  | OFF("L")level | Test mode   |

**PRELIMINARY**

Notice ; This is not a final specification.  
Some parametric limits are subject to change.

**TUNER SINGLE CHIP**

RE: Select of Reference frequency for automatic adjustment of VIF VCO free-running frequency.

| RE | Reference frequency |
|----|---------------------|
| 0  | 3.58MHz             |
| 1  | 4.00MHz             |

AFT:Set up AFT mute

| AFT | AFT mute voltage |
|-----|------------------|
| 0   | Low              |
| 1   | center           |

PFMST , PUHF , PVHFL,PVHFH : PORT

| FMST,PUHF,PVHFL,PVHFH | Output |
|-----------------------|--------|
| 0                     | OFF    |
| 1                     | ON     |

PNP open collector output. When PUHF is "OFF",  
Mixer and Oscillator active VHF mode.

Read mode data format

| Byte         | MSB |    |      |   |   |     | LSB |       |   |
|--------------|-----|----|------|---|---|-----|-----|-------|---|
| Address Byte | 1   | 1  | 0    | 0 | 0 | MA1 | MA0 | R/W=1 | A |
| Status Byte  | POR | FL | ACPS | X | X | X   | X   | X     | A |

X: 0 or 1 Don't care

POR: Power on reset flag. Output is "1" at power-on

FL: Lock detector flag. Output is "1" at locked, output is "0" at unlocked.

ACPS: Automatic charge pump current flag. Output is "0" at charge pump  
current automatically switched mode , output is "1" at other mode.

Power on reset

The initial status are shown as below when supply voltage is turned on.  
If supply voltage becomes less than about 3.0V, the initial status is set.

| Byte                | MSB |   |   |   |   |   | LSB |   |  |
|---------------------|-----|---|---|---|---|---|-----|---|--|
| Divider Byte1 (DB1) | 0   | X | X | X | X | X | X   | X |  |
| Divider Byte2 (DB2) | X   | X | X | X | X | X | X   | X |  |
| Control Byte (CB1)  | 1   | 1 | 0 | 1 | X | 1 | 1   | 1 |  |
| Band Byte (CB2)     | 0   | 0 | X | X | 0 | 0 | 0   | 0 |  |

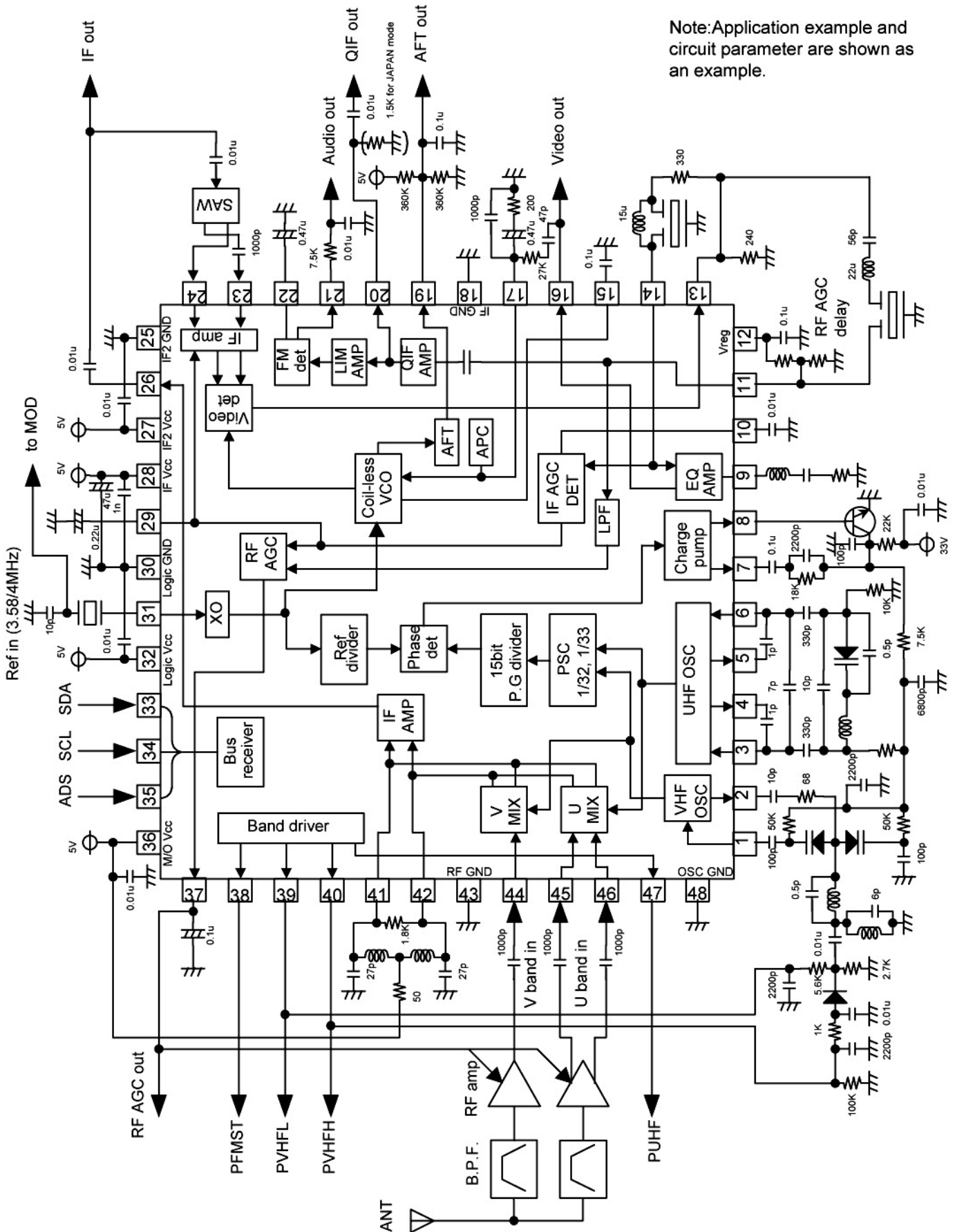
\*\*\*\*\*  
Purchase of Mitsubishi electric corporation's I<sup>2</sup>C components conveys a license under the Philips I<sup>2</sup>C Patent Rights to use these components in an I<sup>2</sup>C system, provided that the system conform to the I<sup>2</sup>C Standard Specification as defined by Philips  
\*\*\*\*\*

PRELIMINARY

Notice ; This is not a final specification.  
Some parametric limits are subject to change.

APPLICATION EXAMPLE

Note: Application example and circuit parameter are shown as an example.



PRELIMINARY

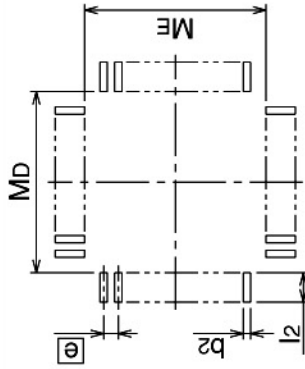
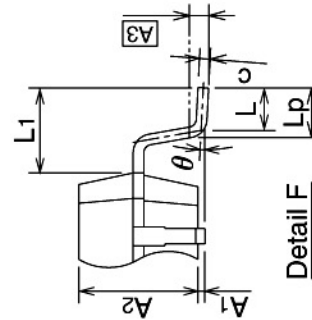
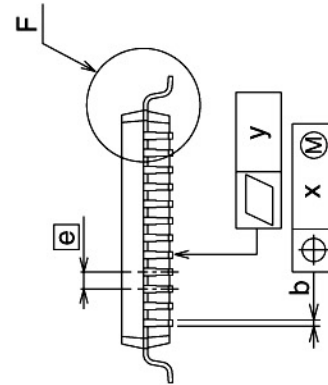
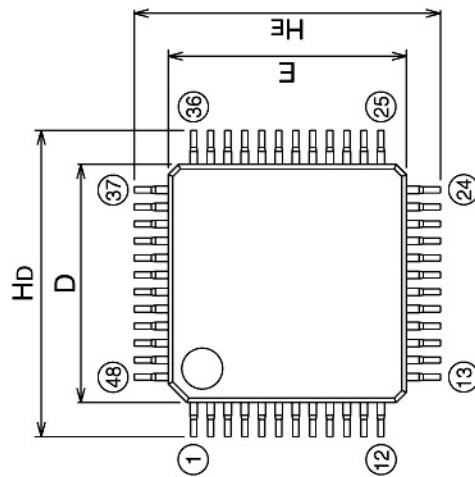
Notice ; This is not a final specification.  
Some parametric limits are subject to change.

DETAILED DIAGRAM OF PACKAGE OUTLINE

Plastic 48pin 7 mm body LQFP

48P6Q-A (MMP)

|                                       |                 |                |                           |
|---------------------------------------|-----------------|----------------|---------------------------|
| EIAJ Package Code<br>LQFP48-P-77-0.50 | JEDEC Code<br>- | Weight(g)<br>- | Lead Material<br>Cu Alloy |
|---------------------------------------|-----------------|----------------|---------------------------|



Recommended Mount Pad

| Symbol | Dimension in Millimeters |       |       |
|--------|--------------------------|-------|-------|
|        | Min                      | Norm  | Max   |
| A      | -                        | -     | 1.7   |
| A1     | 0                        | 0.1   | 0.2   |
| A2     | -                        | 1.4   | -     |
| b      | 0.17                     | 0.22  | 0.27  |
| c      | 0.105                    | 0.125 | 0.175 |
| D      | 6.9                      | 7.0   | 7.1   |
| E      | 6.9                      | 7.0   | 7.1   |
| e      | -                        | 0.5   | -     |
| HD     | 8.8                      | 9.0   | 9.2   |
| HE     | 8.8                      | 9.0   | 9.2   |
| L      | 0.35                     | 0.5   | 0.65  |
| L1     | -                        | 1.0   | -     |
| Lp     | 0.45                     | 0.6   | 0.75  |
| A3     | -                        | 0.25  | -     |
| x      | -                        | -     | 0.08  |
| y      | -                        | -     | 0.1   |
| θ      | 0°                       | -     | 8°    |
| b2     | -                        | 0.225 | -     |
| l2     | 1.0                      | -     | -     |
| MD     | -                        | 7.4   | -     |
| ME     | -                        | 7.4   | -     |

## PRELIMINARY

Notice ; This is not a final specification.

Some parametric limits are subject to change.

Keep safety first in your circuit designs!

●Mitsubishi Electric Corporation puts the maximum effort into making semiconductor products better and more reliable, but there is always the possibility that trouble may occur with them. Trouble with semiconductors may lead to personal injury, fire or property damage. Remember to give due consideration to safety when making your circuit designs, with appropriate measures such as (i) placement of substitutive, auxiliary circuits, (ii) use of non-flammable material or (iii) prevention against any malfunction or mishap.

Notes regarding these materials

●These materials are intended as a reference to assist our customers in the selection of the Mitsubishi semiconductor product best suited to the customer's application; they do not convey any license under any intellectual property rights, or any other rights, belonging to Mitsubishi Electric Corporation or a third party.  
 ●Mitsubishi Electric Corporation assumes no responsibility for any damage, or infringement of any third-party's rights, originating in the use of any product data, diagrams, charts, programs, algorithms, or circuit application examples contained in these materials.

●All information contained in these materials, including product data, diagrams, charts, programs and algorithms represents information on products at the time of publication of these materials, and are subject to change by Mitsubishi Electric Corporation without notice due to product improvements or other reasons. It is therefore recommended that customers contact Mitsubishi Electric Corporation or an authorized Mitsubishi Semiconductor product distributor for the latest product information before purchasing a product listed herein. The information described here may contain technical inaccuracies or typographical errors. Mitsubishi Electric Corporation assumes no responsibility for any damage, liability, or other loss rising from these inaccuracies or errors.

Please also pay attention to information published by Mitsubishi Electric Corporation by various means, including the Mitsubishi Semiconductor home page (<http://www.mitsubishichips.com>).

●When using any or all of the information contained in these materials, including product data, diagrams, charts, programs, and algorithms, please be sure to evaluate all information as a total system before making a final decision on the applicability of the information and products. Mitsubishi Electric Corporation assumes no responsibility for any damage, liability or other loss resulting from the information contained herein.

●Mitsubishi Electric Corporation semiconductors are not designed or manufactured for use in a device or system that is used under circumstances in which human life is potentially at stake. Please contact Mitsubishi Electric Corporation or an authorized Mitsubishi Semiconductor product distributor when considering the use of a product contained herein for any specific purposes, such as apparatus or systems for transportation, vehicular, medical, aerospace, nuclear, or undersea repeater use.

●The prior written approval of Mitsubishi Electric Corporation is necessary to reprint or reproduce in whole or in part these materials.

●If these products or technologies are subject to the Japanese export control restrictions, they must be exported under a license from the Japanese government and cannot be imported into a country other than the approved destination.

Any diversion or reexport contrary to the export control laws and regulations of Japan and/or the country of destination is prohibited.

●Please contact Mitsubishi Electric Corporation or an authorized Mitsubishi Semiconductor product distributor for further details on these materials or the products contained therein.