

120-MHz 32-bit RX MCU, on-chip FPU, 240 DMIPS, up to 2-MB flash memory (supportive of the dual bank function), 640-KB SRAM, various communications interfaces including Ethernet MAC, SD host interface, SD slave interface, quad SPI, and CAN, 12-bit A/D converter, RTC, Encryption functions, CMOS camera interface, Graphic-LCD controller, 2D drawing engine

## Features

### ■ 32-bit RXv2 CPU core

- Max. operating frequency: 120 MHz  
Capable of 240 DMIPS in operation at 120 MHz
- Single precision 32-bit IEEE-754 floating point
- Two types of multiply-and-accumulation unit (between memories and between registers)
- 32-bit multiplier (fastest instruction execution takes one CPU clock cycle)
- Divider (fastest instruction execution takes two CPU clock cycles)
- Fast interrupt
- CISC Harvard architecture with 5-stage pipeline
- Variable-length instructions: Ultra-compact code
- Supports the memory protection unit (MPU)
- JTAG and FINE (one-line) debugging interfaces

### ■ Low-power design and architecture

- Operation from a single 2.7- to 3.6-V supply
- Low power consumption: A product that supports all peripheral functions draws only 0.19 mA/MHz (Typ.).
- RTC is capable of operation from a dedicated power supply.
- Four low-power modes

### ■ On-chip code flash memory

- Supports versions with up to 2 Mbytes of ROM
- No wait cycles at up to 50 MHz or when the ROM cache is hit, one-wait state at up to 100 MHz, two-wait state at above 100 MHz
- User code is programmable by on-board or off-board programming.
- Programming/erasing as background operations (BGOs)
- A dual-bank structure allows exchanging the start-up bank.

### ■ On-chip data flash memory

- 32 Kbytes, reprogrammable up to 100,000 times
- Programming/erasing as background operations (BGOs)

### ■ On-chip SRAM, no wait states

- 256K/640 Kbytes of SRAM (no wait states)
- 8 Kbytes of standby RAM (backup on deep software standby)

### ■ Data transfer

- DMAcA: 8 channels
- DTCb: 1 channel
- EXDMAC: 2 channels
- DMAC for the Ethernet controller: 1 channel

### ■ Reset and supply management

- Power-on reset (POR)
- Low voltage detection (LVD) with voltage settings

### ■ Clock functions

- External crystal resonator or internal PLL for operation at 8 to 24 MHz
- Internal 240-kHz LOCO and HOCO selectable from 16, 18, and 20 MHz
- 120-kHz clock for the IWDtA

### ■ Real-time clock

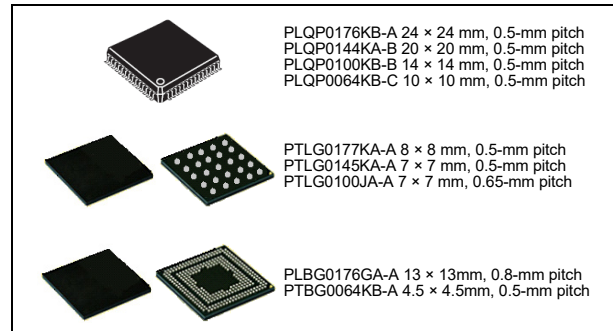
- Adjustment functions (30 seconds, leap year, and error)
- Real-time clock counting and binary counting modes are selectable
- Time capture function  
(for capturing times in response to event-signal input)

### ■ Independent watchdog timer

- 120-kHz (1/2 LOCO frequency) clock operation

### ■ Useful functions for IEC60730 compliance

- Oscillation-stoppage detection, frequency measurement, CRCA, IWDtA, self-diagnostic function for the A/D converter, etc.
- Register write protection function can protect values in important registers against overwriting.



### ■ Various communications interfaces

- Ethernet MAC (1 channel)
- PHY layer (1 channel) for host/function or OTG controller (1 channel) with full-speed USB 2.0 transfer
- CAN (compliant with ISO11898-1), incorporating 32 mailboxes (up to 2 channels)
- SCiG and SCiH with multiple functionalities (up to 11 channels)  
Choose from among asynchronous mode, clock-synchronous mode, smart-card interface mode, simplified SPI, simplified I<sup>2</sup>C, and extended serial mode.
- SCiI with 16-byte transmission and reception FIFOs (up to 2 channels)
- I<sup>2</sup>C bus interface for transfer at up to 1 Mbps (up to 3 channels)
- Four-wire QSPI (1 channel) in addition to RSPiC (3 channels)
- Parallel data capture unit (PDC) for the CMOS camera interface
- Graphic-LCD controller (GLCDC)
- 2D drawing engine (DRW2D)
- SD host interface (1 channel) with a 1- or 4-bit SD bus for use with SD memory or SDIO
- SD slave interface (1 channel) with a 1- or 4-bit SD bus for use with SD host interface
- MMCIF with 1-, 4-, or 8-bit transfer bus width

### ■ External address space

- Buses for full-speed data transfer (max. operating frequency of 60 MHz)
- 8 CS areas
- 8-, 16-, or 32-bit bus space is selectable per area
- Independent SDRAM area (128 Mbytes)

### ■ Up to 25 extended-function timers

- 16-bit TPUa, MTU3a
- 8-bit TMRa (4 channels), 16-bit CMT (4 channels), 32-bit CMTW (2 channels)

### ■ 12-bit A/D converter

- Two 12-bit units (8 channels for unit 0; 21 channels for unit 1)
- Self diagnosis, detection of analog input disconnection

### ■ 12-bit D/A converter: 2 channels

### ■ Temperature sensor for measuring temperature within the chip

### ■ Encryption functions

- AES (key lengths: 128, 192, and 256 bits)
- Trusted Secure IP (TSIP)

### ■ Up to 136 pins for general I/O ports

- 5-V tolerance, open drain, input pull-up, switchable driving ability

### ■ Operating temp. range

- D-version: -40°C to +85°C
- G-version: -40°C to +105°C

# 1. Overview

## 1.1 Outline of Specifications

Table 1.1 lists the specifications in outline, and Table 1.2 give a comparison of the functions of products in different packages.

Table 1.1 is an outline of maximum specifications, and the peripheral modules and the number of channels of the modules differ depending on the number of pins on the package and the capacity of the code flash memory. For details, see Table 1.2, Code Flash Memory Capacity and Comparison of Functions for Different Packages.

**Table 1.1 Outline of Specifications (1/10)**

Classification	Module/Function	Description
CPU	CPU	<ul style="list-style-type: none"> <li>Maximum operating frequency: 120 MHz</li> <li>32-bit RX CPU (RXv2)</li> <li>Minimum instruction execution time: One instruction per state (cycle of the system clock)</li> <li>Address space: 4-Gbyte linear</li> <li>Register set of the CPU               <ul style="list-style-type: none"> <li>General purpose: Sixteen 32-bit registers</li> <li>Control: Ten 32-bit registers</li> <li>Accumulator: Two 72-bit registers</li> </ul> </li> <li>Basic instructions: 75</li> <li>Floating-point instructions: 11</li> <li>DSP instructions: 23</li> <li>Addressing modes: 11</li> <li>Data arrangement               <ul style="list-style-type: none"> <li>Instructions: Little endian</li> <li>Data: Selectable as little endian or big endian</li> </ul> </li> <li>On-chip 32-bit multiplier: <math>32 \times 32 \rightarrow 64</math> bits</li> <li>On-chip divider: <math>32 / 32 \rightarrow 32</math> bits</li> <li>Barrel shifter: 32 bits</li> </ul>
	FPU	<ul style="list-style-type: none"> <li>Single precision (32-bit) floating point</li> <li>Data types and floating-point exceptions in conformance with the IEEE754 standard</li> </ul>
Memory	Code flash memory	<ul style="list-style-type: none"> <li>Capacity: 512 Kbytes/768 Kbytes/1 Mbyte/1.5 Mbytes/2 Mbytes</li> <li><math>50 \text{ MHz} \leq</math> No-wait cycle access</li> <li><math>100 \text{ MHz} \leq</math> 1-wait cycle access</li> <li><math>100 \text{ MHz} &gt;</math> 2-wait cycle access</li> <li>Instructions hitting the ROM cache or operand = 120 MHz: No-wait access</li> <li>On-board programming: Four types</li> <li>Off-board programming (parallel programmer mode)</li> <li>Instructions are executable only for the program stored in the TM target area by using the Trusted Memory (TM) function and protection against data reading is realized.</li> <li>A dual-bank structure allows programming during reading or exchanging the start-up areas</li> </ul>
	Data flash memory	<ul style="list-style-type: none"> <li>Capacity: 32 Kbytes</li> <li>Programming/erasing: 100,000 times</li> </ul>
	Unique ID	<ul style="list-style-type: none"> <li>16-byte unique ID for the device</li> </ul>
	RAM	<ul style="list-style-type: none"> <li>Capacity: 256 Kbytes (Products with 1 Mbyte of code flash memory or less) RAM: 256 Kbytes</li> <li>Capacity: 640 Kbytes (Products with at least 1.5 Mbytes of code flash memory) RAM: 256 Kbytes Expansion RAM: 384 Kbytes</li> <li>120 MHz, no-wait access</li> </ul>
	Standby RAM	<ul style="list-style-type: none"> <li>Capacity: 8 Kbytes</li> <li>Operation synchronized with PCLKB: Up to 60 MHz, two-cycle access</li> </ul>

**Table 1.1 Outline of Specifications (2/10)**

Classification	Module/Function	Description
Operating modes		<ul style="list-style-type: none"> <li>Operating modes by the mode-setting pins at the time of release from the reset state               <ul style="list-style-type: none"> <li>Single-chip mode</li> <li>Boot mode (for the SCI interface)</li> <li>Boot mode (for the USB interface)</li> <li>Boot mode (for the FINE interface)</li> </ul> </li> <li>Selection of operating mode by register setting               <ul style="list-style-type: none"> <li>Single-chip mode</li> <li>On-chip ROM disabled extended mode</li> <li>On-chip ROM enabled extended mode</li> </ul> </li> <li>Endian selectable</li> </ul>
Clock	Clock generation circuit	<ul style="list-style-type: none"> <li>Main clock oscillator, sub clock oscillator, low-speed/high-speed on-chip oscillator, PLL frequency synthesizer, and IWDT-dedicated on-chip oscillator</li> <li>The peripheral module clocks can be set to frequencies above that of the system clock.</li> <li>Main-clock oscillation stoppage detection</li> <li>Separate frequency-division and multiplication settings for the system clock (ICKL), peripheral module clocks (PCLKA, PCLKB, PCLKC, PCLKD), flash-IF clock (FCLK) and external bus clock (BCLK)               <ul style="list-style-type: none"> <li>The CPU and other bus masters run in synchronization with the system clock (ICKL): Up to 120 MHz</li> <li>Peripheral modules of MTU3, RSPI, SCli, ETHERC, EDMAC, AES, GLCDC, and DRW2D run in synchronization with PCLKA, which operates at up to 120 MHz.</li> <li>Other peripheral modules run in synchronization with PCLKB: Up to 60 MHz</li> <li>ADCLK in the S12AD (unit 0) runs in synchronization with PCLKC: Up to 60 MHz</li> <li>ADCLK in the S12AD (unit 1) runs in synchronization with PCLKD: Up to 60 MHz</li> <li>Flash IF run in synchronization with the flash-IF clock (FCLK): Up to 60 MHz</li> <li>Devices connected to the external bus run in synchronization with the external bus clock (BCLK): Up to 60 MHz</li> </ul> </li> <li>Multiplication is possible with using the high-speed on-chip oscillator (HOCO) as a reference clock of the PLL circuit</li> </ul>
Reset		<p>Nine types of reset</p> <ul style="list-style-type: none"> <li>RES# pin reset: Generated when the RES# pin is driven low.</li> <li>Power-on reset: Generated when the RES# pin is driven high and VCC = AVCC0 = AVCC1 rises.</li> <li>Voltage-monitoring 0 reset: Generated when VCC = AVCC0 = AVCC1 falls.</li> <li>Voltage-monitoring 1 reset: Generated when VCC = AVCC0 = AVCC1 falls.</li> <li>Voltage-monitoring 2 reset: Generated when VCC = AVCC0 = AVCC1 falls.</li> <li>Deep software standby reset: Generated in response to an interrupt to trigger release from deep software standby.</li> <li>Independent watchdog timer reset: Generated when the independent watchdog timer underflows, or a refresh error occurs.</li> <li>Watchdog timer reset: Generated when the watchdog timer underflows, or a refresh error occurs.</li> <li>Software reset: Generated by register setting.</li> </ul>
Power-on reset		<p>If the RES# pin is at the high level when power is supplied, an internal reset is generated. After VCC = AVCC0 = AVCC1 has exceeded the voltage detection level and the specified period has elapsed, the reset is cancelled.</p>
Voltage detection circuit (LVDA)		<p>Monitors the voltage being input to the VCC = AVCC0 = AVCC1 pins and generates an internal reset or interrupt.</p> <ul style="list-style-type: none"> <li>Voltage detection circuit 0           <ul style="list-style-type: none"> <li>Capable of generating an internal reset</li> <li>The option-setting memory can be used to select enabling or disabling of the reset.</li> <li>Voltage detection level: Selectable from three different levels (2.94 V, 2.87 V, 2.80 V)</li> </ul> </li> <li>Voltage detection circuits 1 and 2           <ul style="list-style-type: none"> <li>Voltage detection level: Selectable from three different levels (2.99 V, 2.92 V, 2.85 V)</li> <li>Digital filtering (1/2, 1/4, 1/8, and 1/16 LOCO frequency)</li> <li>Capable of generating an internal reset</li> </ul> </li> <li>Two types of timing are selectable for release from reset           <ul style="list-style-type: none"> <li>An internal interrupt can be requested.</li> </ul> </li> <li>Detection of voltage rising above and falling below thresholds is selectable.</li> <li>Maskable or non-maskable interrupt is selectable</li> <li>Voltage detection monitoring</li> <li>Event linking</li> </ul>

**Table 1.1 Outline of Specifications (3/10)**

Classification	Module/Function	Description
Low power consumption	Low power consumption function	<ul style="list-style-type: none"> <li>Module stop function</li> <li>Four low power consumption modes: Sleep mode, all-module clock stop mode, software standby mode, and deep software standby mode</li> </ul>
	Battery backup function	<ul style="list-style-type: none"> <li>When the voltage on the VCC pin drops, battery power from the VBATT pin is supplied to keep the real-time clock (RTC) operating.</li> </ul>
Interrupt	Interrupt controller (ICUB)	<ul style="list-style-type: none"> <li>Peripheral function interrupts: 262 sources</li> <li>External interrupts: 16 (pins IRQ0 to IRQ15)</li> <li>Software interrupts: 2 sources</li> <li>Non-maskable interrupts: 7 sources</li> <li>Sixteen levels specifiable for the order of priority</li> <li>Method of interrupt source selection: The interrupt vectors consist of 256 vectors (128 sources are fixed. The remaining 128 vectors are selected from among the other 123 sources.)</li> </ul>
External bus extension		<ul style="list-style-type: none"> <li>The external address space can be divided into eight areas (CS0 to CS7), each with independent control of access settings. Capacity of each area: 16 Mbytes (CS0 to CS7). A chip-select signal (CS0# to CS7#) can be output for each area. Each area is specifiable as an 8-, 16-, or 32-bit bus space. The data arrangement in each area is selectable as little or big endian (only for data).</li> <li>SDRAM interface connectable</li> <li>Bus format: Separate bus, multiplex bus</li> <li>Wait control</li> <li>Write buffer facility</li> </ul>
DMA	DMA controller (DMACa)	<ul style="list-style-type: none"> <li>8 channels</li> <li>Three transfer modes: Normal transfer, repeat transfer, and block transfer</li> <li>Activation sources: Software trigger, external interrupts, and interrupt requests from peripheral functions</li> </ul>
	EXDMA controller (EXDMACa)	<ul style="list-style-type: none"> <li>2 channels</li> <li>Four transfer modes: Normal transfer, repeat transfer, block transfer, and cluster transfer</li> <li>Single-address transfer enabled with the EDACKn signal</li> <li>Request sources: Software trigger, external DMA requests (EDREQn), and interrupt requests from peripheral functions</li> </ul>
	Data transfer controller (DTCb)	<ul style="list-style-type: none"> <li>Three transfer modes: Normal transfer, repeat transfer, and block transfer</li> <li>Request sources: External interrupts and interrupt requests from peripheral functions</li> <li>Sequence transfer</li> </ul>

**Table 1.1 Outline of Specifications (4/10)**

Classification	Module/Function	Description
I/O ports	Programmable I/O ports	<ul style="list-style-type: none"> <li>• I/O ports for the 177-pin TFLGA, 176-pin LFBGA, and 176-pin LFQFP I/O pins: 136 Input pin: 1 Pull-up resistors: 136 Open-drain outputs: 136 5-V tolerance: 19</li> <li>• I/O ports for the 145-pin TFLGA and 144-pin LFQFP I/O pins: 111 Input pin: 1 Pull-up resistors: 111 Open-drain outputs: 111 5-V tolerance: 18</li> <li>• I/O ports for the 100-pin TFLGA and 100-pin LFQFP I/O pins: 78 Input pin: 1 Pull-up resistors: 78 Open-drain outputs: 78 5-V tolerance: 17</li> <li>• I/O ports for the 64-pin TFBGA I/O pins: 41 Input pin: 1 Pull-up resistors: 41 Open-drain outputs: 41 5-V tolerance: 8</li> <li>• I/O ports for the 64-pin LFQFP I/O pins: 42 Input pin: 1 Pull-up resistors: 42 Open-drain outputs: 42 5-V tolerance: 8</li> </ul>
Event link controller (ELC)		<ul style="list-style-type: none"> <li>• Event signals such as interrupt request signals can be interlinked with the operation of functions such as timer counting, eliminating the need for intervention by the CPU to control the functions.</li> <li>• 83 internal event signals can be freely combined for interlinked operation with connected functions.</li> <li>• Event signals from peripheral modules can be used to change the states of output pins (of ports B and E).</li> <li>• Changes in the states of pins (of ports B and E) being used as inputs can be interlinked with the operation of peripheral modules.</li> </ul>

**Table 1.1 Outline of Specifications (5/10)**

Classification	Module/Function	Description
Timers	16-bit timer pulse unit (TPUa)	<ul style="list-style-type: none"> <li>• (16 bits × 6 channels) × 1 unit</li> <li>• Maximum of 16 pulse-input/output possible</li> <li>• Select from among seven or eight counter-input clock signals for each channel</li> <li>• Input capture/output compare function</li> <li>• Output of PWM waveforms in up to 15 phases in PWM mode</li> <li>• Support for buffered operation, phase-counting mode (two phase encoder input) and cascade-connected operation (32 bits × 2 channels) depending on the channel.</li> <li>• PPG output trigger can be generated</li> <li>• Capable of generating conversion start triggers for the A/D converters</li> <li>• Digital filtering of signals from the input capture pins</li> <li>• Event linking by the ELC</li> </ul>
	Multifunction timer pulse unit (MTU3a)	<ul style="list-style-type: none"> <li>• 9 channels (16 bits × 8 channels, 32 bits × 1 channel)</li> <li>• Maximum of 28 pulse-input/output and 3 pulse-input possible</li> <li>• Select from among 14 counter-input clock signals for each channel (PCLKA/1, PCLKA/2, PCLKA/4, PCLKA/8, PCLKA/16, PCLKA/32, PCLKA/64, PCLKA/256, PCLKA/1024, MTCLKA, MTCLKB, MTCLKC, MTCLKD, MTIOC1A) 14 of the signals are available for channel 0, 11 are available for channels 1, 3, 4, 6 to 8, 12 are available for channel 2, and 10 are available for channel 5.</li> <li>• Input capture function</li> <li>• 39 output compare/input capture registers</li> <li>• Counter clear operation (synchronous clearing by compare match/input capture)</li> <li>• Simultaneous writing to multiple timer counters (TCNT)</li> <li>• Simultaneous register input/output by synchronous counter operation</li> <li>• Buffered operation</li> <li>• Support for cascade-connected operation</li> <li>• 43 interrupt sources</li> <li>• Automatic transfer of register data</li> <li>• Pulse output mode Toggle/PWM/complementary PWM/reset-synchronized PWM</li> <li>• Complementary PWM output mode Outputs non-overlapping waveforms for controlling 3-phase inverters Automatic specification of dead times PWM duty cycle: Selectable as any value from 0% to 100% Delay can be applied to requests for A/D conversion. Non-generation of interrupt requests at peak or trough values of counters can be selected. Double buffer configuration</li> <li>• Reset synchronous PWM mode Three phases of positive and negative PWM waveforms can be output with desired duty cycles.</li> <li>• Phase-counting mode: 16-bit mode (channels 1 and 2); 32-bit mode (channels 1 and 2)</li> <li>• Counter functionality for dead-time compensation</li> <li>• Generation of triggers for A/D converter conversion</li> <li>• A/D converter start triggers can be skipped</li> <li>• Digital filter function for signals on the input capture and external counter clock pins</li> <li>• PPG output trigger can be generated</li> <li>• Event linking by the ELC</li> </ul>
	Port output enable 3 (POE3a)	<ul style="list-style-type: none"> <li>• Control of the high-impedance state of the MTU3 waveform output pins</li> <li>• 5 pins for input from signal sources: POE0#, POE4#, POE8#, POE10#, POE11#</li> <li>• Initiation on detection of short-circuited outputs (detection of simultaneous PWM output to the active level)</li> <li>• Initiation by oscillation-stoppage detection or software</li> <li>• Additional programming of output control target pins is enabled</li> </ul>
	Programmable pulse generator (PPG)	<ul style="list-style-type: none"> <li>• (4 bits × 4 groups) × 2 units</li> <li>• Pulse output with the MTU3 or TPU output as a trigger</li> <li>• Maximum of 32 pulse-output possible</li> </ul>

**Table 1.1 Outline of Specifications (6/10)**

Classification	Module/Function	Description
Timers	8-bit timers (TMRb)	<ul style="list-style-type: none"> <li>• (8 bits × 2 channels) × 2 units</li> <li>• Select from among seven internal clock signals (PCLKB/1, PCLKB/2, PCLKB/8, PCLKB/32, PCLKB/64, PCLKB/1024, PCLKB/8192) and one external clock signal</li> <li>• Capable of output of pulse trains with desired duty cycles or of PWM signals</li> <li>• The 2 channels of each unit can be cascaded to create a 16-bit timer</li> <li>• Generation of triggers for A/D converter conversion</li> <li>• Capable of generating baud-rate clocks for SCI5, SCI6, and SCI12</li> <li>• Event linking by the ELC</li> </ul>
	Compare match timer (CMT)	<ul style="list-style-type: none"> <li>• (16 bits × 2 channels) × 2 units</li> <li>• Select from among four internal clock signals (PCLKB/8, PCLKB/32, PCLKB/128, PCLKB/512)</li> <li>• Event linking by the ELC</li> </ul>
	Compare match timer W (CMTW)	<ul style="list-style-type: none"> <li>• (32 bits × 1 channel) × 2 units</li> <li>• Compare-match, input-capture input, and output-comparison output are available.</li> <li>• Select from among four internal clock signals (PCLKB/8, PCLKB/32, PCLKB/128, PCLKB/512)</li> <li>• Interrupt requests can be output in response to compare-match, input-capture, and output-comparison events.</li> <li>• Event linking by the ELC</li> </ul>
	Realtime clock (RTCd)*4	<ul style="list-style-type: none"> <li>• Clock sources: Main clock, sub clock</li> <li>• Selection of the 32-bit binary count in time count/second unit possible</li> <li>• Clock and calendar functions</li> <li>• Interrupt sources: Alarm interrupt, periodic interrupt, and carry interrupt</li> <li>• Battery backup operation</li> <li>• Time-capture facility for three values</li> <li>• Event linking by the ELC</li> </ul>
	Watchdog timer (WDTA)	<ul style="list-style-type: none"> <li>• 14 bits × 1 channel</li> <li>• Select from among 6 counter-input clock signals (PCLKB/4, PCLKB/64, PCLKB/128, PCLKB/512, PCLKB/2048, PCLKB/8192)</li> </ul>
	Independent watchdog timer (IWDTa)	<ul style="list-style-type: none"> <li>• 14 bits × 1 channel</li> <li>• Counter-input clock: IWDt-dedicated on-chip oscillator</li> <li>• Dedicated clock/1, dedicated clock/16, dedicated clock/32, dedicated clock/64, dedicated clock/128, dedicated clock/256</li> <li>• Window function: The positions where the window starts and ends are specifiable (the window defines the timing with which refreshing is enabled and disabled).</li> <li>• Event linking by the ELC</li> </ul>
Communication function	Ethernet controller (ETHERC)	<ul style="list-style-type: none"> <li>• Input and output of Ethernet/IEEE 802.3 frames</li> <li>• Transfer at 10 or 100 Mbps</li> <li>• Full- and half-duplex modes</li> <li>• MII (Media Independent Interface) or RMII (Reduced Media Independent Interface) as defined in IEEE 802.3u</li> <li>• Detection of Magic Packets™*1 or output of a “wake-on-LAN” signal (WOL)</li> <li>• Compliance with flow control as defined in IEEE 802.3x standards</li> </ul>
	DMA controller for Ethernet controller (EDMACa)	<ul style="list-style-type: none"> <li>• Alleviation of CPU load by the descriptor control method</li> <li>• Transmission FIFO: 2 Kbytes; Reception FIFO: 2 Kbytes</li> </ul>
	USB 2.0 FS host/function module (USBb)	<ul style="list-style-type: none"> <li>• Includes a UDC (USB Device Controller) and transceiver for USB 2.0 FS</li> <li>• One port</li> <li>• Compliance with the USB 2.0 specification</li> <li>• Transfer rate: Full speed (12 Mbps), low speed (1.5 Mbps) (host only)</li> <li>• Both self-powered mode and bus-powered mode are supported</li> <li>• OTG (On the Go) operation is possible (low-speed is not supported)</li> <li>• Incorporates 2 Kbytes of RAM as a transfer buffer</li> <li>• External pull-up and pull-down resistors are not required</li> </ul>

**Table 1.1 Outline of Specifications (7/10)**

Classification	Module/Function	Description
Communication function	Serial communications interfaces (SCIg, SCIH, SCII)	<ul style="list-style-type: none"> <li>• 13 channels (SCIg: 10 channels + SCIH: 1 channel + SCII: 2 channels)</li> <li>• SCIg, SCIH, SCII</li> </ul> <p>Serial communications modes: Asynchronous, clock synchronous, and smart-card interface</p> <p>Multi-processor function</p> <p>On-chip baud rate generator allows selection of the desired bit rate</p> <p>Choice of LSB-first or MSB-first transfer</p> <p>Start-bit detection: Level or edge detection is selectable.</p> <p>Simple I<sup>2</sup>C</p> <p>Simple SPI</p> <p>9-bit transfer mode</p> <p>Bit rate modulation</p> <p>Double-speed mode</p> <ul style="list-style-type: none"> <li>• SCIg, SCIH</li> </ul> <p>Average transfer rate clock can be input from TMR timers for SCII5, SCII6, and SCII12</p> <p>Event linking by the ELC (only on channel 5)</p> <ul style="list-style-type: none"> <li>• SCIH</li> </ul> <p>Supports the serial communications protocol, which contains the start frame and information frame</p> <p>Supports the LIN format</p> <ul style="list-style-type: none"> <li>• SCII</li> </ul> <p>Data can be transmitted or received in sequence by the 16-byte FIFO buffers of the transmission and reception unit</p>
	I <sup>2</sup> C bus interface (RIICa)	<ul style="list-style-type: none"> <li>• 3 channels (only channel 0 can be used in fast-mode plus)</li> </ul> <p>Communication formats</p> <p>I<sup>2</sup>C bus format/SMBus format</p> <p>Supports the multi-master</p> <p>Max. transfer rate: 1 Mbps (channel 0)</p> <ul style="list-style-type: none"> <li>• Event linking by the ELC</li> </ul>
	CAN module (CAN)	<ul style="list-style-type: none"> <li>• 2 channels</li> <li>• Compliance with the ISO11898-1 specification (standard frame and extended frame)</li> <li>• 32 mailboxes per channel</li> </ul>
	Serial peripheral interface (RSPIC)	<ul style="list-style-type: none"> <li>• 3 channels</li> </ul> <p>RSPI transfer facility</p> <p>Using the MOSI (master out, slave in), MISO (master in, slave out), SSL (slave select), and RSPCK (RSPI clock) signals enables serial transfer through SPI operation (four lines) or clock-synchronous operation (three lines)</p> <p>Capable of handling serial transfer as a master or slave</p> <ul style="list-style-type: none"> <li>• Data formats</li> </ul> <p>Switching between MSB first and LSB first</p> <p>The number of bits in each transfer can be changed to any number of bits from 8 to 16, or to 20, 24, or 32 bits.</p> <p>128-bit buffers for transmission and reception</p> <p>Up to four frames can be transmitted or received in a single transfer operation (with each frame having up to 32 bits)</p> <p>Transit/receive data can be swapped in byte units</p> <ul style="list-style-type: none"> <li>• Buffered structure</li> </ul> <p>Double buffers for both transmission and reception</p> <ul style="list-style-type: none"> <li>• RSPCK can be stopped with the receive buffer full for master reception.</li> <li>• Event linking by the ELC</li> </ul>
	Quad serial peripheral interface (QSPI)	<ul style="list-style-type: none"> <li>• 1 channel</li> <li>• Connectable with serial flash memory equipped with multiple input and output lines (i.e. for single, dual, or quad operation)</li> <li>• Programmable bit length and selectable active sense and phase of the clock signal</li> <li>• Sequential execution of transfer</li> <li>• LSB or MSB first is selectable</li> </ul>



**Table 1.1 Outline of Specifications (8/10)**

Classification	Module/Function	Description
SD host interface (SDHI)*3		<ul style="list-style-type: none"> <li>• 1 channel</li> <li>• Transfer speed: Supports high-speed mode (25 MB/s) and default speed mode (12.5 MB/s)</li> <li>• One interface for SD memory and I/O cards (supporting 1- and 4-bit SD buses)</li> <li>• SD specifications               <ul style="list-style-type: none"> <li>Part 1: Physical Layer Specification Ver. 3.01 compliant (DDR not supported)</li> <li>Part E1: SDIO Specification Ver. 3.00</li> </ul> </li> <li>• Error checking: CRC7 for commands and CRC16 for data</li> <li>• Interrupt requests: Card access interrupt, SDIO access interrupt, card detection interrupt, SD buffer access interrupt</li> <li>• DMA transfer requests: SD_BUF write and SD_BUF read</li> <li>• Support for card detection and write protection</li> </ul>
SD slave interface (SDSI)*3		<ul style="list-style-type: none"> <li>• 1 channel</li> <li>• Compliant with the SDIO Card Specification Ver.2.00 (CSA is not supported)</li> <li>• 1-bit SD/4-bit SD/SPI mode</li> <li>• SDIO Proprietary command is supported</li> <li>• SD/SPI Mandatory command is supported</li> <li>• Interrupt requests: 6</li> </ul>
MMC host interface (MMCIF)		<ul style="list-style-type: none"> <li>• 1 channel</li> <li>• Transfer speed: Data transfer mode (30 MB/s), backward compatible mode (25 MB/s)</li> <li>• Compliant with JEDEC STANDARD JESD84-A441 (DDR is not supported)</li> <li>• Interface for Multimedia Cards (MMCs)</li> <li>• Device buses: Support for 1-, 4-, and 8-bit MMC buses</li> <li>• Interrupt requests: Card detection interrupt, error/timeout interrupt, normal operation interrupt, MMCIF buffer access interrupt</li> <li>• DMA transfer requests: CE_DATA write and CE_DATA read</li> <li>• Support for card detection, boot operation, high priority interrupt (HPI)</li> </ul>
Parallel data capture unit (PDC)		<ul style="list-style-type: none"> <li>• 1 channel</li> <li>• Acquisition of synchronization through external 8-bit horizontal and vertical synchronization signals</li> <li>• Setting of the image size when clipping of the output for a one-frame image is required</li> </ul>
Graphic-LCD controller (GLCDC)		<ul style="list-style-type: none"> <li>• 1 channel</li> <li>• Various data formats and LCD panels are supported</li> <li>• Superposition of 3 planes (single-color background, graphic 1, graphic 2)</li> <li>• 32- and 16-bpp graphics data and 8-, 4-, and 1-bit CLUT data formats are supported</li> </ul>
2D drawing engine (DRW2D)		<ul style="list-style-type: none"> <li>• 1 channel</li> <li>• Vector drawing (straight lines, triangles, and circles)</li> <li>• Bit blitting (with support for filling, copying, stretching, and rotation)</li> <li>• Bus master function for input and output of frame buffer data               <ul style="list-style-type: none"> <li>32-, 16-, and 8-bit pixel graphics data are supported</li> </ul> </li> <li>• Bus master function for input of texture data               <ul style="list-style-type: none"> <li>Input of texture data (32, 24, 16, 8, 4, 2, or 1 bit) are supported.</li> <li>Run length encoding is supported</li> <li>A CLUT is installed and index data can be converted into color data</li> </ul> </li> <li>• Two rendering modes are supported (register mode and display list mode)</li> <li>• Performance counting</li> <li>• Interrupts in response to completion of rendering and processing of the display list</li> </ul>

**Table 1.1 Outline of Specifications (9/10)**

Classification	Module/Function	Description
12-bit A/D converter (S12ADFa)		<ul style="list-style-type: none"> <li>• 12 bits × 2 units (unit 0: 8 channels; unit 1: 21 channels)</li> <li>• 12-bit resolution (switchable between 8, 10, and 12 bits)</li> <li>• Conversion time 0.48 μs per channel (for 12-bit conversion) 0.45 μs per channel (for 10-bit conversion) 0.42 μs per channel (for 8-bit conversion)</li> <li>• Operating mode Scan mode (single scan mode, continuous scan mode, or 3 group scan mode) Group priority control (only for 3 group scan mode)</li> <li>• Sample-and-hold function Common sample-and-hold circuit included In addition, channel-dedicated sample-and-hold function (3 channels: in unit 0 only) included</li> <li>• Sampling variable Sampling time can be set up for each channel.</li> <li>• Digital comparison Method: Comparison to detect voltages above or below thresholds and window comparison Measurement: Comparison of two results of conversion or comparison of a value in the comparison register and a result of conversion</li> <li>• Self-diagnostic function The self-diagnostic function internally generates three analog input voltages (unit 0: VREFL0, VREFH0 × 1/2, VREFH0; unit 1: AVSS1, AVCC1 × 1/2, AVCC1)</li> <li>• Double trigger mode (A/D conversion data duplicated)</li> <li>• Detection of analog input disconnection</li> <li>• Three ways to start A/D conversion Software trigger, timer (MTU3, TMR, TPU) trigger, external trigger</li> <li>• Event linking by the ELC</li> </ul>
12-bit D/A converter (R12DA)		<ul style="list-style-type: none"> <li>• 2 channels</li> <li>• 12-bit resolution</li> <li>• Output voltage: 0.2 V to AVCC1 – 0.2 V (buffered output), 0 V to AVCC1 (unbuffered output)</li> <li>• Buffered output or unbuffered output can be selected.</li> <li>• Event linking by the ELC</li> </ul>
Temperature sensor		<ul style="list-style-type: none"> <li>• 1 channel</li> <li>• Relative precision: ± 1°C</li> <li>• The voltage of the temperature is converted into a digital value by the 12-bit A/D converter (unit 1).</li> </ul>
Safety	Memory protection unit (MPU)	<ul style="list-style-type: none"> <li>• Protection area: Eight areas (max.) can be specified in the range from 0000 0000h to FFFF FFFFh.</li> <li>• Minimum protection unit: 16 bytes</li> <li>• Reading from, writing to, and enabling the execution access can be specified for each area.</li> <li>• An access exception occurs when the detected access is not in the permitted area.</li> </ul>
	Trusted Memory (TM) Function	<ul style="list-style-type: none"> <li>• Programs in the TM target area in the code flash memory are protected against reading</li> <li>• Instruction fetching by the CPU is the only form of access to these areas when the TM function is enabled.</li> </ul>
	Register write protection function	<ul style="list-style-type: none"> <li>• Protects important registers from being overwritten for in case a program runs out of control.</li> </ul>
	CRC calculator (CRCA)	<ul style="list-style-type: none"> <li>• Generation of CRC codes for 8-/32-bit data</li> <li>8-bit data Selectable from the following three polynomials <math>X^8 + X^2 + X + 1</math>, <math>X^{16} + X^{15} + X^2 + 1</math>, <math>X^{16} + X^{12} + X^5 + 1</math></li> <li>32-bit data Selectable from the following two polynomials <math>X^{32} + X^{26} + X^{23} + X^{22} + X^{16} + X^{12} + X^{11} + X^{10} + X^8 + X^7 + X^5 + X^4 + X^2 + X + 1</math>, <math>X^{32} + X^{28} + X^{27} + X^{26} + X^{25} + X^{23} + X^{22} + X^{20} + X^{19} + X^{18} + X^{14} + X^{13} + X^{11} + X^{10} + X^9 + X^8 + X^6 + 1</math></li> <li>• Generation of CRC codes for use with LSB-first or MSB-first communications is selectable</li> </ul>
	Main clock oscillation stop detection	<ul style="list-style-type: none"> <li>• Main clock oscillation stop detection: Available</li> </ul>

**Table 1.1 Outline of Specifications (10/10)**

Classification	Module/Function	Description
Safety	Clock frequency accuracy measurement circuit (CAC)	<ul style="list-style-type: none"> <li>Monitors the clock output from the main clock oscillator, sub-clock oscillator, low- and high-speed on-chip oscillators, IWDWT-dedicated on-chip oscillator, and PCLKB, and generates interrupts when the setting range is exceeded.</li> </ul>
	Data operation circuit (DOC)	<ul style="list-style-type: none"> <li>The function to compare, add, or subtract 16-bit data</li> </ul>
Encryption function	AESa*2	<ul style="list-style-type: none"> <li>Key lengths: 128, 192, and 256 bits</li> <li>Support for CFB, OFB, and CMAC operating modes</li> <li>Speed of calculations: <ul style="list-style-type: none"> <li>128-bit key length in 22 cycles</li> <li>192-bit key length in 26 cycles</li> <li>256-bit key length in 30 cycles</li> </ul> </li> <li>Compliant with FIPS PUB 197</li> </ul>
	True random number generator (RNG)*2	<ul style="list-style-type: none"> <li>Length of random numbers: 16 bits</li> <li>Generation of random-number-generated interrupts after a number is generated</li> <li>Random number generation time: 1.9 ms (typ)</li> </ul>
	Trusted Secure IP (TSIP)*2	<ul style="list-style-type: none"> <li>Security algorithm <ul style="list-style-type: none"> <li>Common key encryption: AES (compliant with NIST FIPS PUB 197), 3DES, ARC4</li> <li>Non-common key encryption: RSA</li> </ul> </li> <li>Other features <ul style="list-style-type: none"> <li>TRNG (true-random number generator)</li> <li>Hash value generation: SHA1, SHA224, SHA256, GHASH</li> <li>Prevention from illicit copying of a key</li> </ul> </li> </ul>
Operating frequency		Up to 120 MHz
Power supply voltage		VCC = AVCC0 = AVCC1 = VCC_USB = 2.7 to 3.6 V, $2.7 \leq VREFH0 \leq AVCC0$ , V <sub>BATT</sub> = 1.62 to 3.6 V*6
Operating temperature		D-version: -40 to +85°C G-version: -40 to +105°C*5
Package		177-pin TFLGA (PTLG0177KA-A) 176-pin LFBGA (PLBG0176GA-A) 176-pin LFQFP (PLQP0176KB-A) 145-pin TFLGA (PTLG0145KA-A) 144-pin LFQFP (PLQP0144KA-B) 100-pin TFLGA (PTLG0100JA-A) 100-pin LFQFP (PLQP0100KB-B) 64-pin TFBGA (PTBG0064KB-A) 64-pin LFQFP (PLQP0064KB-C)
Debugging interface		JTAG and FINE interfaces

Note 1. Magic Packet™ is a registered trademark of Advanced Micro Devices, Inc.

Note 2. The product part number differs according to whether or not the MCU includes the encryption function.

Note 3. The product part number differs according to whether or not the MCU includes an SDHI (SD host interface)/SDSI (SD slave interface) (products with 1 Mbyte of code flash memory or less).

Note 4. When the realtime clock is not used, initialize the registers in the time clock according to description in section 31.6.7, Initialization Procedure When the Realtime Clock is Not to be Used in the User's Manual: Hardware.

Note 5. Please contact us if you are using a G-version product.

Note 6. The low CL crystal unit cannot be used when the V<sub>BATT</sub> voltage is less than 2.0 V.

**Table 1.2 Code Flash Memory Capacity and Comparison of Functions for Different Packages (1/2)**

Functions	Products	Products with 1 Mbyte of code flash memory or less			Products with at least 1.5 Mbytes of code flash memory			
	Package	145 Pins, 144 Pins	100 Pins	64 Pins	177 Pins, 176 Pins	145 Pins, 144 Pins	100 Pins	64 Pins
Code Flash Memory	Code Flash Memory Capacity	512 Kbytes/768 Kbytes /1 Mbyte			1.5 Mbytes/2 Mbytes			
	Dual bank function	Not available			Available			
	BGO function	Not available			Available			
Data Flash Memory		Not available			32 Kbytes			
RAM		256 Kbytes			640 Kbytes (256 Kbytes + 384 Kbytes of expansion RAM)			
External bus	External bus width	16/8 bits		Not available	32/16/8 bits	16/8 bits		Not available
	SDRAM area controller	Available	Not available		Available		Not available	
DMA	DMA controller	Ch. 0 to 7						
	Data transfer controller	Available						
	EXDMA controller	Ch. 0 and 1		Not available	Ch. 0 and 1			Not available
Timers	16-bit timer pulse unit	Ch. 0 to 5						
	Multi-function timer pulse unit 3	Ch. 0 to 8						
	Port output enable 3	Available						
	Programmable pulse generator	Ch. 0 and 1		Not available	Ch. 0 and 1			Not available
	8-bit timers	Ch. 0 to 3						
	Compare match timer	Ch. 0 to 3						
	Compare match timer W	Ch. 0 and 1						
	Realtime clock	Available						
	Watchdog timer	Available						
	Independent watchdog timer	Available						
Communication function	Ethernet controller	Ch. 0 (only for RX65N group)		Not available	Ch. 0 (only for RX65N group)			Not available
	DMA Controller for the Ethernet Controller	Ch. 0 (only for RX65N group)		Not available	Ch. 0 (only for RX65N group)			Not available
	USB 2.0 FS host/function module	Ch. 0		Ch. 0*1	Ch. 0			Ch. 0*1
	Serial communications interfaces (SCIg)	Ch. 0 to 9	Ch. 0 to 3, 5, 6, 8 and 9	Ch. 1 to 3, 5, 8 and 9	Ch. 0 to 9		Ch. 0 to 3, 5, 6, 8 and 9	Ch. 1 to 3, 5, 8 and 9
	Serial communications interfaces (SCIh)	Ch. 12						
	Serial communications interfaces (SCIl)	Ch. 10 and 11						
	I <sup>2</sup> C bus interfaces	Ch. 0 and 2			Ch. 0 to 2			Ch. 0 and 2
	Serial peripheral interface	Ch. 0 to 2		Ch. 0 and 1	Ch. 0 to 2			Ch. 0 and 1
	CAN module	Ch. 0 and 1		Not available	Ch. 0 and 1			Not available
	Quad serial peripheral interface	Ch. 0						
	SD host interface	Available						
	SD slave interface	Available		Not available	Available			Not available

**Table 1.2 Code Flash Memory Capacity and Comparison of Functions for Different Packages (2/2)**

Functions	Products	Products with 1 Mbyte of code flash memory or less			Products with at least 1.5 Mbytes of code flash memory			
	Package	145 Pins, 144 Pins	100 Pins	64 Pins	177 Pins, 176 Pins	145 Pins, 144 Pins	100 Pins	64 Pins
Communication function	MMC host interface	Available		Not available	Available			Not available
	Parallel data capture unit	Available	Not available		Available		Not available	
Graphics	Graphic-LCD controller	Not available			Available			Not available
	2D drawing engine	Not available			Available			Not available
12-bit A/D converter		AN000 to 007 (unit 0: 8 channels) AN100 to 120 (unit 1: 21 channels)	AN000 to 007 (unit 0: 8 channels) AN100 to 113 (unit 1: 14 channels)	AN000 to 003 (unit 0: 4 channels) AN106, 107, 110 to 113 (unit 1: 6 channels)	AN000 to 007 (unit 0: 8 channels) AN100 to 120 (unit 1: 21 channels)		AN000 to 007 (unit 0: 8 channels) AN100 to 113 (unit 1: 14 channels)	AN000 to 003 (unit 0: 4 channels) AN106, 107, 110 to 113 (unit 1: 6 channels)
12-bit D/A converter		Ch. 0 and 1	Ch. 1*2		Ch. 0 and 1		Ch. 1*2	
Temperature sensor		Available						
CRC calculator		Available						
Data operation circuit		Available						
Clock frequency accuracy measurement circuit		Available						
Encryption	AES	Available*3			Incorporated in the Trusted Secure IP			
	RNG	Available*3			Incorporated in the Trusted Secure IP			
	Trusted Secure IP	Not available			Available			
Event link controller		Available						
Off-board programming (parallel programmer mode)		Available		Not available	Available			Not available

Note 1. Only supports the function controller.

Note 2. Not provided on the 64-pin TFBGA.

Note 3. Regarding the public release of this module, an exchange of non-disclosure agreement is necessary. For details, contact your Renesas sales agency.

## 1.2 List of Products

Table 1.3 is a list of products, and Figure 1.1 shows how to read the product part no.

**Table 1.3 List of Products (1/12)**

Group	Part No.	Package	Code Flash Memory Capacity (byte(s))	RAM Capacity (byte(s))	Data Flash Memory Capacity (byte(s))	Operating Frequency (Max.)	Encryption Module	SDHI/SDSI	Dual bank	Operating temperature (°C)
RX65N (D version)	R5F565NEDDFC	PLQP0176KB-A	2 M	640 K	32 K	120 MHz	Not available	Available	Available	-40 to +85
	R5F565NEHDFC	PLQP0176KB-A	2 M	640 K	32 K	120 MHz	Available	Available	Available	-40 to +85
	R5F565NCDDFC	PLQP0176KB-A	1.5 M	640 K	32 K	120 MHz	Not available	Available	Available	-40 to +85
	R5F565NCHDFC	PLQP0176KB-A	1.5 M	640 K	32 K	120 MHz	Available	Available	Available	-40 to +85
	R5F565NEDDFB	PLQP0144KA-B	2 M	640 K	32 K	120 MHz	Not available	Available	Available	-40 to +85
	R5F565NEHDFB	PLQP0144KA-B	2 M	640 K	32 K	120 MHz	Available	Available	Available	-40 to +85
	R5F565NCDDFB	PLQP0144KA-B	1.5 M	640 K	32 K	120 MHz	Not available	Available	Available	-40 to +85
	R5F565NCHDFB	PLQP0144KA-B	1.5 M	640 K	32 K	120 MHz	Available	Available	Available	-40 to +85
	R5F565N9ADFB	PLQP0144KA-B	1 M	256 K	Not included	120 MHz	Not available	Not available	Not available	-40 to +85
	R5F565N9BDFB	PLQP0144KA-B	1 M	256 K	Not included	120 MHz	Not available	Available	Not available	-40 to +85
	R5F565N9EDFB	PLQP0144KA-B	1 M	256 K	Not included	120 MHz	Available	Not available	Not available	-40 to +85
	R5F565N9FDFB	PLQP0144KA-B	1 M	256 K	Not included	120 MHz	Available	Available	Not available	-40 to +85
	R5F565N7ADFB	PLQP0144KA-B	768 K	256 K	Not included	120 MHz	Not available	Not available	Not available	-40 to +85
	R5F565N7BDFB	PLQP0144KA-B	768 K	256 K	Not included	120 MHz	Not available	Available	Not available	-40 to +85
	R5F565N7EDFB	PLQP0144KA-B	768 K	256 K	Not included	120 MHz	Available	Not available	Not available	-40 to +85
	R5F565N7FDFB	PLQP0144KA-B	768 K	256 K	Not included	120 MHz	Available	Available	Not available	-40 to +85
	R5F565N4ADFB	PLQP0144KA-B	512 K	256 K	Not included	120 MHz	Not available	Not available	Not available	-40 to +85
	R5F565N4BDFB	PLQP0144KA-B	512 K	256 K	Not included	120 MHz	Not available	Available	Not available	-40 to +85
	R5F565N4EDFB	PLQP0144KA-B	512 K	256 K	Not included	120 MHz	Available	Not available	Not available	-40 to +85
	R5F565N4FDFB	PLQP0144KA-B	512 K	256 K	Not included	120 MHz	Available	Available	Not available	-40 to +85
	R5F565NEDDFP	PLQP0100KB-B	2 M	640 K	32 K	120 MHz	Not available	Available	Available	-40 to +85
	R5F565NEHDFP	PLQP0100KB-B	2 M	640 K	32 K	120 MHz	Available	Available	Available	-40 to +85
	R5F565NCDDFP	PLQP0100KB-B	1.5 M	640 K	32 K	120 MHz	Not available	Available	Available	-40 to +85
	R5F565NCHDFP	PLQP0100KB-B	1.5 M	640 K	32 K	120 MHz	Available	Available	Available	-40 to +85
R5F565N9ADFP	PLQP0100KB-B	1 M	256 K	Not included	120 MHz	Not available	Not available	Not available	-40 to +85	
R5F565N9BDFP	PLQP0100KB-B	1 M	256 K	Not included	120 MHz	Not available	Available	Not available	-40 to +85	
R5F565N9EDFP	PLQP0100KB-B	1 M	256 K	Not included	120 MHz	Available	Not available	Not available	-40 to +85	
R5F565N9FDFP	PLQP0100KB-B	1 M	256 K	Not included	120 MHz	Available	Available	Not available	-40 to +85	

Table 1.3 List of Products (2/12)

Group	Part No.	Package	Code Flash Memory Capacity (byte(s))	RAM Capacity (byte(s))	Data Flash Memory Capacity (byte(s))	Operating Frequency (Max.)	Encryption Module	SDHI/SDSI	Dual bank	Operating temperature (°C)
RX65N (D version)	R5F565N7ADFP	PLQP0100KB-B	768 K	256 K	Not included	120 MHz	Not available	Not available	Not available	-40 to +85
	R5F565N7BDFP	PLQP0100KB-B	768 K	256 K	Not included	120 MHz	Not available	Available	Not available	-40 to +85
	R5F565N7EDFP	PLQP0100KB-B	768 K	256 K	Not included	120 MHz	Available	Not available	Not available	-40 to +85
	R5F565N7FDFP	PLQP0100KB-B	768 K	256 K	Not included	120 MHz	Available	Available	Not available	-40 to +85
	R5F565N4ADFP	PLQP0100KB-B	512 K	256 K	Not included	120 MHz	Not available	Not available	Not available	-40 to +85
	R5F565N4BDFP	PLQP0100KB-B	512 K	256 K	Not included	120 MHz	Not available	Available	Not available	-40 to +85
	R5F565N4EDFP	PLQP0100KB-B	512 K	256 K	Not included	120 MHz	Available	Not available	Not available	-40 to +85
	R5F565N4FDFP	PLQP0100KB-B	512 K	256 K	Not included	120 MHz	Available	Available	Not available	-40 to +85
	R5F565NEEDBG	PLBG0176GA-A	2 M	640 K	32 K	120 MHz	Not available	Available	Available	-40 to +85
	R5F565NEHDBG	PLBG0176GA-A	2 M	640 K	32 K	120 MHz	Available	Available	Available	-40 to +85
	R5F565NCDDBG	PLBG0176GA-A	1.5 M	640 K	32 K	120 MHz	Not available	Available	Available	-40 to +85
	R5F565NCHDBG	PLBG0176GA-A	1.5 M	640 K	32 K	120 MHz	Available	Available	Available	-40 to +85
	R5F565NEDDLK	PTLG0177KA-A	2 M	640 K	32 K	120 MHz	Not available	Available	Available	-40 to +85
	R5F565NEHDLK	PTLG0177KA-A	2 M	640 K	32 K	120 MHz	Available	Available	Available	-40 to +85
	R5F565NCDDLK	PTLG0177KA-A	1.5 M	640 K	32 K	120 MHz	Not available	Available	Available	-40 to +85
	R5F565NCHDLK	PTLG0177KA-A	1.5 M	640 K	32 K	120 MHz	Available	Available	Available	-40 to +85
	R5F565NEDDLK	PTLG0145KA-A	2 M	640 K	32 K	120 MHz	Not available	Available	Available	-40 to +85
	R5F565NEHDLK	PTLG0145KA-A	2 M	640 K	32 K	120 MHz	Available	Available	Available	-40 to +85
	R5F565NCDDLK	PTLG0145KA-A	1.5 M	640 K	32 K	120 MHz	Not available	Available	Available	-40 to +85
	R5F565NCHDLK	PTLG0145KA-A	1.5 M	640 K	32 K	120 MHz	Available	Available	Available	-40 to +85
	R5F565N9ADLK	PTLG0145KA-A	1 M	256 K	Not included	120 MHz	Not available	Not available	Not available	-40 to +85
	R5F565N9BDLK	PTLG0145KA-A	1 M	256 K	Not included	120 MHz	Not available	Available	Not available	-40 to +85
	R5F565N9EDLK	PTLG0145KA-A	1 M	256 K	Not included	120 MHz	Available	Not available	Not available	-40 to +85
	R5F565N9FDLK	PTLG0145KA-A	1 M	256 K	Not included	120 MHz	Available	Available	Not available	-40 to +85
	R5F565N7ADLK	PTLG0145KA-A	768 K	256 K	Not included	120 MHz	Not available	Not available	Not available	-40 to +85
	R5F565N7BDLK	PTLG0145KA-A	768 K	256 K	Not included	120 MHz	Not available	Available	Not available	-40 to +85
	R5F565N7EDLK	PTLG0145KA-A	768 K	256 K	Not included	120 MHz	Available	Not available	Not available	-40 to +85
	R5F565N7FDLK	PTLG0145KA-A	768 K	256 K	Not included	120 MHz	Available	Available	Not available	-40 to +85
	R5F565N4ADLK	PTLG0145KA-A	512 K	256 K	Not included	120 MHz	Not available	Not available	Not available	-40 to +85
	R5F565N4BDLK	PTLG0145KA-A	512 K	256 K	Not included	120 MHz	Not available	Available	Not available	-40 to +85

Table 1.3 List of Products (3/12)

Group	Part No.	Package	Code Flash Memory Capacity (byte(s))	RAM Capacity (byte(s))	Data Flash Memory Capacity (byte(s))	Operating Frequency (Max.)	Encryption Module	SDHI/SDSI	Dual bank	Operating temperature (°C)
RX65N (D version)	R5F565N4EDLK	PTLG0145KA-A	512 K	256 K	Not included	120 MHz	Available	Not available	Not available	-40 to +85
	R5F565N4FDLK	PTLG0145KA-A	512 K	256 K	Not included	120 MHz	Available	Available	Not available	-40 to +85
	R5F565NEDDLJ	PTLG0100JA-A	2 M	640 K	32 K	120 MHz	Not available	Available	Available	-40 to +85
	R5F565NEHDLJ	PTLG0100JA-A	2 M	640 K	32 K	120 MHz	Available	Available	Available	-40 to +85
	R5F565NCDDLJ	PTLG0100JA-A	1.5 M	640 K	32 K	120 MHz	Not available	Available	Available	-40 to +85
	R5F565NCHDLJ	PTLG0100JA-A	1.5 M	640 K	32 K	120 MHz	Available	Available	Available	-40 to +85
	R5F565N9ADLJ	PTLG0100JA-A	1 M	256 K	Not included	120 MHz	Not available	Not available	Not available	-40 to +85
	R5F565N9BDLJ	PTLG0100JA-A	1 M	256 K	Not included	120 MHz	Not available	Available	Not available	-40 to +85
	R5F565N9EDLJ	PTLG0100JA-A	1 M	256 K	Not included	120 MHz	Available	Not available	Not available	-40 to +85
	R5F565N9FDLJ	PTLG0100JA-A	1 M	256 K	Not included	120 MHz	Available	Available	Not available	-40 to +85
	R5F565N7ADLJ	PTLG0100JA-A	768 K	256 K	Not included	120 MHz	Not available	Not available	Not available	-40 to +85
	R5F565N7BDLJ	PTLG0100JA-A	768 K	256 K	Not included	120 MHz	Not available	Available	Not available	-40 to +85
	R5F565N7EDLJ	PTLG0100JA-A	768 K	256 K	Not included	120 MHz	Available	Not available	Not available	-40 to +85
	R5F565N7FDLJ	PTLG0100JA-A	768 K	256 K	Not included	120 MHz	Available	Available	Not available	-40 to +85
	R5F565N4ADLJ	PTLG0100JA-A	512 K	256 K	Not included	120 MHz	Not available	Not available	Not available	-40 to +85
	R5F565N4BDLJ	PTLG0100JA-A	512 K	256 K	Not included	120 MHz	Not available	Available	Not available	-40 to +85
	R5F565N4EDLJ	PTLG0100JA-A	512 K	256 K	Not included	120 MHz	Available	Not available	Not available	-40 to +85
	R5F565N4FDLJ	PTLG0100JA-A	512 K	256 K	Not included	120 MHz	Available	Available	Not available	-40 to +85
RX65N (G version)	R5F565NEDGFC	PLQP0176KB-A	2 M	640 K	32 K	120 MHz	Not available	Available	Available	-40 to +105
	R5F565NEHGFC	PLQP0176KB-A	2 M	640 K	32 K	120 MHz	Available	Available	Available	-40 to +105
	R5F565NCDGFC	PLQP0176KB-A	1.5 M	640 K	32 K	120 MHz	Not available	Available	Available	-40 to +105
	R5F565NCHGFC	PLQP0176KB-A	1.5 M	640 K	32 K	120 MHz	Available	Available	Available	-40 to +105
	R5F565NEDGFB	PLQP0144KA-B	2 M	640 K	32 K	120 MHz	Not available	Available	Available	-40 to +105
	R5F565NEHGFB	PLQP0144KA-B	2 M	640 K	32 K	120 MHz	Available	Available	Available	-40 to +105
	R5F565NCDGFB	PLQP0144KA-B	1.5 M	640 K	32 K	120 MHz	Not available	Available	Available	-40 to +105
	R5F565NCHGFB	PLQP0144KA-B	1.5 M	640 K	32 K	120 MHz	Available	Available	Available	-40 to +105
	R5F565N9AGFB	PLQP0144KA-B	1 M	256 K	Not included	120 MHz	Not available	Not available	Not available	-40 to +105
	R5F565N9BGFB	PLQP0144KA-B	1 M	256 K	Not included	120 MHz	Not available	Available	Not available	-40 to +105
	R5F565N9EGFB	PLQP0144KA-B	1 M	256 K	Not included	120 MHz	Available	Not available	Not available	-40 to +105
	R5F565N9FGFB	PLQP0144KA-B	1 M	256 K	Not included	120 MHz	Available	Available	Not available	-40 to +105



Table 1.3 List of Products (4/12)

Group	Part No.	Package	Code Flash Memory Capacity (byte(s))	RAM Capacity (byte(s))	Data Flash Memory Capacity (byte(s))	Operating Frequency (Max.)	Encryption Module	SDHI/SDSI	Dual bank	Operating temperature (°C)
RX65N (G version)	R5F565N7AGFB	PLQP0144KA-B	768 K	256 K	Not included	120 MHz	Not available	Not available	Not available	-40 to +105
	R5F565N7BGFB	PLQP0144KA-B	768 K	256 K	Not included	120 MHz	Not available	Available	Not available	-40 to +105
	R5F565N7EGFB	PLQP0144KA-B	768 K	256 K	Not included	120 MHz	Available	Not available	Not available	-40 to +105
	R5F565N7FGFB	PLQP0144KA-B	768 K	256 K	Not included	120 MHz	Available	Available	Not available	-40 to +105
	R5F565N4AGFB	PLQP0144KA-B	512 K	256 K	Not included	120 MHz	Not available	Not available	Not available	-40 to +105
	R5F565N4BGFB	PLQP0144KA-B	512 K	256 K	Not included	120 MHz	Not available	Available	Not available	-40 to +105
	R5F565N4EGFB	PLQP0144KA-B	512 K	256 K	Not included	120 MHz	Available	Not available	Not available	-40 to +105
	R5F565N4FGFB	PLQP0144KA-B	512 K	256 K	Not included	120 MHz	Available	Available	Not available	-40 to +105
	R5F565NEDGFP	PLQP0100KB-B	2 M	640 K	32 K	120 MHz	Not available	Available	Available	-40 to +105
	R5F565NEHGFP	PLQP0100KB-B	2 M	640 K	32 K	120 MHz	Available	Available	Available	-40 to +105
	R5F565NCDGFP	PLQP0100KB-B	1.5 M	640 K	32 K	120 MHz	Not available	Available	Available	-40 to +105
	R5F565NCHGFP	PLQP0100KB-B	1.5 M	640 K	32 K	120 MHz	Available	Available	Available	-40 to +105
	R5F565N9AGFP	PLQP0100KB-B	1 M	256 K	Not included	120 MHz	Not available	Not available	Not available	-40 to +105
	R5F565N9BGFP	PLQP0100KB-B	1 M	256 K	Not included	120 MHz	Not available	Available	Not available	-40 to +105
	R5F565N9EGFP	PLQP0100KB-B	1 M	256 K	Not included	120 MHz	Available	Not available	Not available	-40 to +105
	R5F565N9FGFP	PLQP0100KB-B	1 M	256 K	Not included	120 MHz	Available	Available	Not available	-40 to +105
	R5F565N7AGFP	PLQP0100KB-B	768 K	256 K	Not included	120 MHz	Not available	Not available	Not available	-40 to +105
	R5F565N7BGFP	PLQP0100KB-B	768 K	256 K	Not included	120 MHz	Not available	Available	Not available	-40 to +105
	R5F565N7EGFP	PLQP0100KB-B	768 K	256 K	Not included	120 MHz	Available	Not available	Not available	-40 to +105
	R5F565N7FGFP	PLQP0100KB-B	768 K	256 K	Not included	120 MHz	Available	Available	Not available	-40 to +105
	R5F565N4AGFP	PLQP0100KB-B	512 K	256 K	Not included	120 MHz	Not available	Not available	Not available	-40 to +105
	R5F565N4BGFP	PLQP0100KB-B	512 K	256 K	Not included	120 MHz	Not available	Available	Not available	-40 to +105
	R5F565N4EGFP	PLQP0100KB-B	512 K	256 K	Not included	120 MHz	Available	Not available	Not available	-40 to +105
	R5F565N4FGFP	PLQP0100KB-B	512 K	256 K	Not included	120 MHz	Available	Available	Not available	-40 to +105
	R5F565NEDGBG	PLBG0176GA-A	2 M	640 K	32 K	120 MHz	Not available	Available	Available	-40 to +105
	R5F565NEHGBG	PLBG0176GA-A	2 M	640 K	32 K	120 MHz	Available	Available	Available	-40 to +105
	R5F565NCDGBG	PLBG0176GA-A	1.5 M	640 K	32 K	120 MHz	Not available	Available	Available	-40 to +105
	R5F565NCHGBG	PLBG0176GA-A	1.5 M	640 K	32 K	120 MHz	Available	Available	Available	-40 to +105
	R5F565NEDGLC	PTLG0177KA-A	2 M	640 K	32 K	120 MHz	Not available	Available	Available	-40 to +105
	R5F565NEHGLC	PTLG0177KA-A	2 M	640 K	32 K	120 MHz	Available	Available	Available	-40 to +105

Table 1.3 List of Products (5/12)

Group	Part No.	Package	Code Flash Memory Capacity (byte(s))	RAM Capacity (byte(s))	Data Flash Memory Capacity (byte(s))	Operating Frequency (Max.)	Encryption Module	SDHI/SDSI	Dual bank	Operating temperature (°C)
RX65N (G version)	R5F565NCDGLC	PTLG0177KA-A	1.5 M	640 K	32 K	120 MHz	Not available	Available	Available	-40 to +105
	R5F565NCHGLC	PTLG0177KA-A	1.5 M	640 K	32 K	120 MHz	Available	Available	Available	-40 to +105
	R5F565NEDGLK	PTLG0145KA-A	2 M	640 K	32 K	120 MHz	Not available	Available	Available	-40 to +105
	R5F565NEHGLK	PTLG0145KA-A	2 M	640 K	32 K	120 MHz	Available	Available	Available	-40 to +105
	R5F565NCDGLK	PTLG0145KA-A	1.5 M	640 K	32 K	120 MHz	Not available	Available	Available	-40 to +105
	R5F565NCHGLK	PTLG0145KA-A	1.5 M	640 K	32 K	120 MHz	Available	Available	Available	-40 to +105
	R5F565N9AGLK	PTLG0145KA-A	1 M	256 K	Not included	120 MHz	Not available	Not available	Not available	-40 to +105
	R5F565N9BGLK	PTLG0145KA-A	1 M	256 K	Not included	120 MHz	Not available	Available	Not available	-40 to +105
	R5F565N9EGLK	PTLG0145KA-A	1 M	256 K	Not included	120 MHz	Available	Not available	Not available	-40 to +105
	R5F565N9FGLK	PTLG0145KA-A	1 M	256 K	Not included	120 MHz	Available	Available	Not available	-40 to +105
	R5F565N7AGLK	PTLG0145KA-A	768 K	256 K	Not included	120 MHz	Not available	Not available	Not available	-40 to +105
	R5F565N7BGLK	PTLG0145KA-A	768 K	256 K	Not included	120 MHz	Not available	Available	Not available	-40 to +105
	R5F565N7EGLK	PTLG0145KA-A	768 K	256 K	Not included	120 MHz	Available	Not available	Not available	-40 to +105
	R5F565N7FGLK	PTLG0145KA-A	768 K	256 K	Not included	120 MHz	Available	Available	Not available	-40 to +105
	R5F565N4AGLK	PTLG0145KA-A	512 K	256 K	Not included	120 MHz	Not available	Not available	Not available	-40 to +105
	R5F565N4BGLK	PTLG0145KA-A	512 K	256 K	Not included	120 MHz	Not available	Available	Not available	-40 to +105
	R5F565N4EGLK	PTLG0145KA-A	512 K	256 K	Not included	120 MHz	Available	Not available	Not available	-40 to +105
	R5F565N4FGLK	PTLG0145KA-A	512 K	256 K	Not included	120 MHz	Available	Available	Not available	-40 to +105
	R5F565NEDGLJ	PTLG0100JA-A	2 M	640 K	32 K	120 MHz	Not available	Available	Available	-40 to +105
	R5F565NEHGLJ	PTLG0100JA-A	2 M	640 K	32 K	120 MHz	Available	Available	Available	-40 to +105
	R5F565NCDGLJ	PTLG0100JA-A	1.5 M	640 K	32 K	120 MHz	Not available	Available	Available	-40 to +105
	R5F565NCHGLJ	PTLG0100JA-A	1.5 M	640 K	32 K	120 MHz	Available	Available	Available	-40 to +105
	R5F565N9AGLJ	PTLG0100JA-A	1 M	256 K	Not included	120 MHz	Not available	Not available	Not available	-40 to +105
	R5F565N9BGLJ	PTLG0100JA-A	1 M	256 K	Not included	120 MHz	Not available	Available	Not available	-40 to +105
	R5F565N9EGLJ	PTLG0100JA-A	1 M	256 K	Not included	120 MHz	Available	Not available	Not available	-40 to +105
	R5F565N9FGLJ	PTLG0100JA-A	1 M	256 K	Not included	120 MHz	Available	Available	Not available	-40 to +105
	R5F565N7AGLJ	PTLG0100JA-A	768 K	256 K	Not included	120 MHz	Not available	Not available	Not available	-40 to +105
	R5F565N7BGLJ	PTLG0100JA-A	768 K	256 K	Not included	120 MHz	Not available	Available	Not available	-40 to +105
	R5F565N7EGLJ	PTLG0100JA-A	768 K	256 K	Not included	120 MHz	Available	Not available	Not available	-40 to +105

Table 1.3 List of Products (6/12)

Group	Part No.	Package	Code Flash Memory Capacity (byte(s))	RAM Capacity (byte(s))	Data Flash Memory Capacity (byte(s))	Operating Frequency (Max.)	Encryption Module	SDHI/SDSI	Dual bank	Operating temperature (°C)
RX65N (G version)	R5F565N7FGLJ	PTLG0100JA-A	768 K	256 K	Not included	120 MHz	Available	Available	Not available	-40 to +105
	R5F565N4AGLJ	PTLG0100JA-A	512 K	256 K	Not included	120 MHz	Not available	Not available	Not available	-40 to +105
	R5F565N4BGLJ	PTLG0100JA-A	512 K	256 K	Not included	120 MHz	Not available	Available	Not available	-40 to +105
	R5F565N4EGLJ	PTLG0100JA-A	512 K	256 K	Not included	120 MHz	Available	Not available	Not available	-40 to +105
	R5F565N4FGLJ	PTLG0100JA-A	512 K	256 K	Not included	120 MHz	Available	Available	Not available	-40 to +105
RX651 (D version)	R5F5651EDDFC	PLQP0176KB-A	2 M	640 K	32 K	120 MHz	Not available	Available	Available	-40 to +85
	R5F5651EHDFC	PLQP0176KB-A	2 M	640 K	32 K	120 MHz	Available	Available	Available	-40 to +85
	R5F5651CDDFC	PLQP0176KB-A	1.5 M	640 K	32 K	120 MHz	Not available	Available	Available	-40 to +85
	R5F5651CHDFC	PLQP0176KB-A	1.5 M	640 K	32 K	120 MHz	Available	Available	Available	-40 to +85
	R5F5651EDDFB	PLQP0144KA-B	2 M	640 K	32 K	120 MHz	Not available	Available	Available	-40 to +85
	R5F5651EHDFB	PLQP0144KA-B	2 M	640 K	32 K	120 MHz	Available	Available	Available	-40 to +85
	R5F5651CDDFB	PLQP0144KA-B	1.5 M	640 K	32 K	120 MHz	Not available	Available	Available	-40 to +85
	R5F5651CHDFB	PLQP0144KA-B	1.5 M	640 K	32 K	120 MHz	Available	Available	Available	-40 to +85
	R5F56519ADFB	PLQP0144KA-B	1 M	256 K	Not included	120 MHz	Not available	Not available	Not available	-40 to +85
	R5F56519BDFB	PLQP0144KA-B	1 M	256 K	Not included	120 MHz	Not available	Available	Not available	-40 to +85
	R5F56519EDFB	PLQP0144KA-B	1 M	256 K	Not included	120 MHz	Available	Not available	Not available	-40 to +85
	R5F56519FDFB	PLQP0144KA-B	1 M	256 K	Not included	120 MHz	Available	Available	Not available	-40 to +85
	R5F56517ADFB	PLQP0144KA-B	768 K	256 K	Not included	120 MHz	Not available	Not available	Not available	-40 to +85
	R5F56517BDFB	PLQP0144KA-B	768 K	256 K	Not included	120 MHz	Not available	Available	Not available	-40 to +85
	R5F56517EDFB	PLQP0144KA-B	768 K	256 K	Not included	120 MHz	Available	Not available	Not available	-40 to +85
	R5F56517FDFB	PLQP0144KA-B	768 K	256 K	Not included	120 MHz	Available	Available	Not available	-40 to +85
	R5F56514ADFB	PLQP0144KA-B	512 K	256 K	Not included	120 MHz	Not available	Not available	Not available	-40 to +85
	R5F56514BDFB	PLQP0144KA-B	512 K	256 K	Not included	120 MHz	Not available	Available	Not available	-40 to +85
	R5F56514EDFB	PLQP0144KA-B	512 K	256 K	Not included	120 MHz	Available	Not available	Not available	-40 to +85
	R5F56514FDFB	PLQP0144KA-B	512 K	256 K	Not included	120 MHz	Available	Available	Not available	-40 to +85
	R5F5651EDDFP	PLQP0100KB-B	2 M	640 K	32 K	120 MHz	Not available	Available	Available	-40 to +85
	R5F5651EHDFP	PLQP0100KB-B	2 M	640 K	32 K	120 MHz	Available	Available	Available	-40 to +85
	R5F5651CDDFP	PLQP0100KB-B	1.5 M	640 K	32 K	120 MHz	Not available	Available	Available	-40 to +85
	R5F5651CHDFP	PLQP0100KB-B	1.5 M	640 K	32 K	120 MHz	Available	Available	Available	-40 to +85

Table 1.3 List of Products (7/12)

Group	Part No.	Package	Code Flash Memory Capacity (byte(s))	RAM Capacity (byte(s))	Data Flash Memory Capacity (byte(s))	Operating Frequency (Max.)	Encryption Module	SDHI/SDSI	Dual bank	Operating temperature (°C)
RX651 (D version)	R5F56519ADFP	PLQP0100KB-B	1 M	256 K	Not included	120 MHz	Not available	Not available	Not available	-40 to +85
	R5F56519BDFP	PLQP0100KB-B	1 M	256 K	Not included	120 MHz	Not available	Available	Not available	-40 to +85
	R5F56519EDFP	PLQP0100KB-B	1 M	256 K	Not included	120 MHz	Available	Not available	Not available	-40 to +85
	R5F56519FDFP	PLQP0100KB-B	1 M	256 K	Not included	120 MHz	Available	Available	Not available	-40 to +85
	R5F56517ADFP	PLQP0100KB-B	768 K	256 K	Not included	120 MHz	Not available	Not available	Not available	-40 to +85
	R5F56517BDFP	PLQP0100KB-B	768 K	256 K	Not included	120 MHz	Not available	Available	Not available	-40 to +85
	R5F56517EDFP	PLQP0100KB-B	768 K	256 K	Not included	120 MHz	Available	Not available	Not available	-40 to +85
	R5F56517FDFP	PLQP0100KB-B	768 K	256 K	Not included	120 MHz	Available	Available	Not available	-40 to +85
	R5F56514ADFP	PLQP0100KB-B	512 K	256 K	Not included	120 MHz	Not available	Not available	Not available	-40 to +85
	R5F56514BDFP	PLQP0100KB-B	512 K	256 K	Not included	120 MHz	Not available	Available	Not available	-40 to +85
	R5F56514EDFP	PLQP0100KB-B	512 K	256 K	Not included	120 MHz	Available	Not available	Not available	-40 to +85
	R5F56514FDFP	PLQP0100KB-B	512 K	256 K	Not included	120 MHz	Available	Available	Not available	-40 to +85
	R5F5651EDDFM	PLQP0064KB-C	2 M	640 K	32 K	120 MHz	Not available	Available*1	Available	-40 to +85
	R5F5651EHDFM	PLQP0064KB-C	2 M	640 K	32 K	120 MHz	Available	Available*1	Available	-40 to +85
	R5F5651CDDFM	PLQP0064KB-C	1.5 M	640 K	32 K	120 MHz	Not available	Available*1	Available	-40 to +85
	R5F5651CHDFM	PLQP0064KB-C	1.5 M	640 K	32 K	120 MHz	Available	Available*1	Available	-40 to +85
	R5F56519BDFM	PLQP0064KB-C	1 M	256 K	Not included	120 MHz	Not available	Available*1	Not available	-40 to +85
	R5F56519FDFM	PLQP0064KB-C	1 M	256 K	Not included	120 MHz	Available	Available*1	Not available	-40 to +85
	R5F56517BDFM	PLQP0064KB-C	768 K	256 K	Not included	120 MHz	Not available	Available*1	Not available	-40 to +85
	R5F56517FDFM	PLQP0064KB-C	768 K	256 K	Not included	120 MHz	Available	Available*1	Not available	-40 to +85
	R5F56514BDFM	PLQP0064KB-C	512 K	256 K	Not included	120 MHz	Not available	Available*1	Not available	-40 to +85
	R5F56514FDFM	PLQP0064KB-C	512 K	256 K	Not included	120 MHz	Available	Available*1	Not available	-40 to +85
	R5F5651EDDBG	PLBG0176GA-A	2 M	640 K	32 K	120 MHz	Not available	Available	Available	-40 to +85
	R5F5651EHDBG	PLBG0176GA-A	2 M	640 K	32 K	120 MHz	Available	Available	Available	-40 to +85
	R5F5651CDDBG	PLBG0176GA-A	1.5 M	640 K	32 K	120 MHz	Not available	Available	Available	-40 to +85
	R5F5651CHDBG	PLBG0176GA-A	1.5 M	640 K	32 K	120 MHz	Available	Available	Available	-40 to +85
	R5F5651EDDBP	PTBG0064KB-A	2 M	640 K	32 K	120 MHz	Not available	Available*1	Available	-40 to +85
	R5F5651EHDBP	PTBG0064KB-A	2 M	640 K	32 K	120 MHz	Available	Available*1	Available	-40 to +85
	R5F5651CDDBP	PTBG0064KB-A	1.5 M	640 K	32 K	120 MHz	Not available	Available*1	Available	-40 to +85
	R5F5651CHDBP	PTBG0064KB-A	1.5 M	640 K	32 K	120 MHz	Available	Available*1	Available	-40 to +85

Table 1.3 List of Products (8/12)

Group	Part No.	Package	Code Flash Memory Capacity (byte(s))	RAM Capacity (byte(s))	Data Flash Memory Capacity (byte(s))	Operating Frequency (Max.)	Encryption Module	SDHI/SDSI	Dual bank	Operating temperature (°C)
RX651 (D version)	R5F56519BDBP	PTBG0064KB-A	1 M	256 K	Not included	120 MHz	Not available	Available*1	Not available	-40 to +85
	R5F56519FDBP	PTBG0064KB-A	1 M	256 K	Not included	120 MHz	Available	Available*1	Not available	-40 to +85
	R5F56517BDBP	PTBG0064KB-A	768 K	256 K	Not included	120 MHz	Not available	Available*1	Not available	-40 to +85
	R5F56517FDBP	PTBG0064KB-A	768 K	256 K	Not included	120 MHz	Available	Available*1	Not available	-40 to +85
	R5F56514BDBP	PTBG0064KB-A	512 K	256 K	Not included	120 MHz	Not available	Available*1	Not available	-40 to +85
	R5F56514FDBP	PTBG0064KB-A	512 K	256 K	Not included	120 MHz	Available	Available*1	Not available	-40 to +85
	R5F5651EDDLC	PTLG0177KA-A	2 M	640 K	32 K	120 MHz	Not available	Available	Available	-40 to +85
	R5F5651EHDLC	PTLG0177KA-A	2 M	640 K	32 K	120 MHz	Available	Available	Available	-40 to +85
	R5F5651CDDL	PTLG0177KA-A	1.5 M	640 K	32 K	120 MHz	Not available	Available	Available	-40 to +85
	R5F5651CHDLC	PTLG0177KA-A	1.5 M	640 K	32 K	120 MHz	Available	Available	Available	-40 to +85
	R5F5651EDDLK	PTLG0145KA-A	2 M	640 K	32 K	120 MHz	Not available	Available	Available	-40 to +85
	R5F5651EHDLK	PTLG0145KA-A	2 M	640 K	32 K	120 MHz	Available	Available	Available	-40 to +85
	R5F5651CDDLK	PTLG0145KA-A	1.5 M	640 K	32 K	120 MHz	Not available	Available	Available	-40 to +85
	R5F5651CHDLK	PTLG0145KA-A	1.5 M	640 K	32 K	120 MHz	Available	Available	Available	-40 to +85
	R5F56519ADLK	PTLG0145KA-A	1 M	256 K	Not included	120 MHz	Not available	Not available	Not available	-40 to +85
	R5F56519BDLK	PTLG0145KA-A	1 M	256 K	Not included	120 MHz	Not available	Available	Not available	-40 to +85
	R5F56519EDLK	PTLG0145KA-A	1 M	256 K	Not included	120 MHz	Available	Not available	Not available	-40 to +85
	R5F56519FDLK	PTLG0145KA-A	1 M	256 K	Not included	120 MHz	Available	Available	Not available	-40 to +85
	R5F56517ADLK	PTLG0145KA-A	768 K	256 K	Not included	120 MHz	Not available	Not available	Not available	-40 to +85
	R5F56517BDLK	PTLG0145KA-A	768 K	256 K	Not included	120 MHz	Not available	Available	Not available	-40 to +85
	R5F56517EDLK	PTLG0145KA-A	768 K	256 K	Not included	120 MHz	Available	Not available	Not available	-40 to +85
	R5F56517FDLK	PTLG0145KA-A	768 K	256 K	Not included	120 MHz	Available	Available	Not available	-40 to +85
	R5F56514ADLK	PTLG0145KA-A	512 K	256 K	Not included	120 MHz	Not available	Not available	Not available	-40 to +85
	R5F56514BDLK	PTLG0145KA-A	512 K	256 K	Not included	120 MHz	Not available	Available	Not available	-40 to +85
	R5F56514EDLK	PTLG0145KA-A	512 K	256 K	Not included	120 MHz	Available	Not available	Not available	-40 to +85
	R5F56514FDLK	PTLG0145KA-A	512 K	256 K	Not included	120 MHz	Available	Available	Not available	-40 to +85
	R5F5651EDDLJ	PTLG0100JA-A	2 M	640 K	32 K	120 MHz	Not available	Available	Available	-40 to +85
	R5F5651EHD LJ	PTLG0100JA-A	2 M	640 K	32 K	120 MHz	Available	Available	Available	-40 to +85
	R5F5651CDDLJ	PTLG0100JA-A	1.5 M	640 K	32 K	120 MHz	Not available	Available	Available	-40 to +85
	R5F5651CHDLJ	PTLG0100JA-A	1.5 M	640 K	32 K	120 MHz	Available	Available	Available	-40 to +85

Table 1.3 List of Products (9/12)

Group	Part No.	Package	Code Flash Memory Capacity (byte(s))	RAM Capacity (byte(s))	Data Flash Memory Capacity (byte(s))	Operating Frequency (Max.)	Encryption Module	SDHI/SDSI	Dual bank	Operating temperature (°C)
RX651 (D version)	R5F56519ADLJ	PTLG0100JA-A	1 M	256 K	Not included	120 MHz	Not available	Not available	Not available	-40 to +85
	R5F56519BDLJ	PTLG0100JA-A	1 M	256 K	Not included	120 MHz	Not available	Available	Not available	-40 to +85
	R5F56519EDLJ	PTLG0100JA-A	1 M	256 K	Not included	120 MHz	Available	Not available	Not available	-40 to +85
	R5F56519FDLJ	PTLG0100JA-A	1 M	256 K	Not included	120 MHz	Available	Available	Not available	-40 to +85
	R5F56517ADLJ	PTLG0100JA-A	768 K	256 K	Not included	120 MHz	Not available	Not available	Not available	-40 to +85
	R5F56517BDLJ	PTLG0100JA-A	768 K	256 K	Not included	120 MHz	Not available	Available	Not available	-40 to +85
	R5F56517EDLJ	PTLG0100JA-A	768 K	256 K	Not included	120 MHz	Available	Not available	Not available	-40 to +85
	R5F56517FDLJ	PTLG0100JA-A	768 K	256 K	Not included	120 MHz	Available	Available	Not available	-40 to +85
	R5F56514ADLJ	PTLG0100JA-A	512 K	256 K	Not included	120 MHz	Not available	Not available	Not available	-40 to +85
	R5F56514BDLJ	PTLG0100JA-A	512 K	256 K	Not included	120 MHz	Not available	Available	Not available	-40 to +85
	R5F56514EDLJ	PTLG0100JA-A	512 K	256 K	Not included	120 MHz	Available	Not available	Not available	-40 to +85
	R5F56514FDLJ	PTLG0100JA-A	512 K	256 K	Not included	120 MHz	Available	Available	Not available	-40 to +85
RX651 (G version)	R5F5651EDGFC	PLQP0176KB-A	2 M	640 K	32 K	120 MHz	Not available	Available	Available	-40 to +105
	R5F5651EHGFC	PLQP0176KB-A	2 M	640 K	32 K	120 MHz	Available	Available	Available	-40 to +105
	R5F5651CDGFC	PLQP0176KB-A	1.5 M	640 K	32 K	120 MHz	Not available	Available	Available	-40 to +105
	R5F5651CHGFC	PLQP0176KB-A	1.5 M	640 K	32 K	120 MHz	Available	Available	Available	-40 to +105
	R5F5651EDGFB	PLQP0144KA-B	2 M	640 K	32 K	120 MHz	Not available	Available	Available	-40 to +105
	R5F5651EHGFB	PLQP0144KA-B	2 M	640 K	32 K	120 MHz	Available	Available	Available	-40 to +105
	R5F5651CDGFB	PLQP0144KA-B	1.5 M	640 K	32 K	120 MHz	Not available	Available	Available	-40 to +105
	R5F5651CHGFB	PLQP0144KA-B	1.5 M	640 K	32 K	120 MHz	Available	Available	Available	-40 to +105
	R5F56519AGFB	PLQP0144KA-B	1 M	256 K	Not included	120 MHz	Not available	Not available	Not available	-40 to +105
	R5F56519BGFB	PLQP0144KA-B	1 M	256 K	Not included	120 MHz	Not available	Available	Not available	-40 to +105
	R5F56519EGFB	PLQP0144KA-B	1 M	256 K	Not included	120 MHz	Available	Not available	Not available	-40 to +105
	R5F56519FGFB	PLQP0144KA-B	1 M	256 K	Not included	120 MHz	Available	Available	Not available	-40 to +105
	R5F56517AGFB	PLQP0144KA-B	768 K	256 K	Not included	120 MHz	Not available	Not available	Not available	-40 to +105
	R5F56517BGFB	PLQP0144KA-B	768 K	256 K	Not included	120 MHz	Not available	Available	Not available	-40 to +105
	R5F56517EGFB	PLQP0144KA-B	768 K	256 K	Not included	120 MHz	Available	Not available	Not available	-40 to +105
	R5F56517FGFB	PLQP0144KA-B	768 K	256 K	Not included	120 MHz	Available	Available	Not available	-40 to +105
	R5F56514AGFB	PLQP0144KA-B	512 K	256 K	Not included	120 MHz	Not available	Not available	Not available	-40 to +105
	R5F56514BGFB	PLQP0144KA-B	512 K	256 K	Not included	120 MHz	Not available	Available	Not available	-40 to +105

Table 1.3 List of Products (10/12)

Group	Part No.	Package	Code Flash Memory Capacity (byte(s))	RAM Capacity (byte(s))	Data Flash Memory Capacity (byte(s))	Operating Frequency (Max.)	Encryption Module	SDHI/SDSI	Dual bank	Operating temperature (°C)
RX651 (G version)	R5F56514EGFB	PLQP0144KA-B	512 K	256 K	Not included	120 MHz	Available	Not available	Not available	-40 to +105
	R5F56514FGFB	PLQP0144KA-B	512 K	256 K	Not included	120 MHz	Available	Available	Not available	-40 to +105
	R5F5651EDGFP	PLQP0100KB-B	2 M	640 K	32 K	120 MHz	Not available	Available	Available	-40 to +105
	R5F5651EHGFP	PLQP0100KB-B	2 M	640 K	32 K	120 MHz	Available	Available	Available	-40 to +105
	R5F5651CDGFP	PLQP0100KB-B	1.5 M	640 K	32 K	120 MHz	Not available	Available	Available	-40 to +105
	R5F5651CHGFP	PLQP0100KB-B	1.5 M	640 K	32 K	120 MHz	Available	Available	Available	-40 to +105
	R5F56519AGFP	PLQP0100KB-B	1 M	256 K	Not included	120 MHz	Not available	Not available	Not available	-40 to +105
	R5F56519BGFP	PLQP0100KB-B	1 M	256 K	Not included	120 MHz	Not available	Available	Not available	-40 to +105
	R5F56519EGFP	PLQP0100KB-B	1 M	256 K	Not included	120 MHz	Available	Not available	Not available	-40 to +105
	R5F56519FGFP	PLQP0100KB-B	1 M	256 K	Not included	120 MHz	Available	Available	Not available	-40 to +105
	R5F56517AGFP	PLQP0100KB-B	768 K	256 K	Not included	120 MHz	Not available	Not available	Not available	-40 to +105
	R5F56517BGFP	PLQP0100KB-B	768 K	256 K	Not included	120 MHz	Not available	Available	Not available	-40 to +105
	R5F56517EGFP	PLQP0100KB-B	768 K	256 K	Not included	120 MHz	Available	Not available	Not available	-40 to +105
	R5F56517FGFP	PLQP0100KB-B	768 K	256 K	Not included	120 MHz	Available	Available	Not available	-40 to +105
	R5F56514AGFP	PLQP0100KB-B	512 K	256 K	Not included	120 MHz	Not available	Not available	Not available	-40 to +105
	R5F56514BGFP	PLQP0100KB-B	512 K	256 K	Not included	120 MHz	Not available	Available	Not available	-40 to +105
	R5F56514EGFP	PLQP0100KB-B	512 K	256 K	Not included	120 MHz	Available	Not available	Not available	-40 to +105
	R5F56514FGFP	PLQP0100KB-B	512 K	256 K	Not included	120 MHz	Available	Available	Not available	-40 to +105
	R5F5651EDGFM	PLQP0064KB-C	2 M	640 K	32 K	120 MHz	Not available	Available*1	Available	-40 to +105
	R5F5651EHGFM	PLQP0064KB-C	2 M	640 K	32 K	120 MHz	Available	Available*1	Available	-40 to +105
	R5F5651CDGFM	PLQP0064KB-C	1.5 M	640 K	32 K	120 MHz	Not available	Available*1	Available	-40 to +105
	R5F5651CHGFM	PLQP0064KB-C	1.5 M	640 K	32 K	120 MHz	Available	Available*1	Available	-40 to +105
	R5F56519BGFM	PLQP0064KB-C	1 M	256 K	Not included	120 MHz	Not available	Available*1	Not available	-40 to +105
	R5F56519FGFM	PLQP0064KB-C	1 M	256 K	Not included	120 MHz	Available	Available*1	Not available	-40 to +105
	R5F56517BGFM	PLQP0064KB-C	768 K	256 K	Not included	120 MHz	Not available	Available*1	Not available	-40 to +105
	R5F56517FGFM	PLQP0064KB-C	768 K	256 K	Not included	120 MHz	Available	Available*1	Not available	-40 to +105
	R5F56514BGFM	PLQP0064KB-C	512 K	256 K	Not included	120 MHz	Not available	Available*1	Not available	-40 to +105
	R5F56514FGFM	PLQP0064KB-C	512 K	256 K	Not included	120 MHz	Available	Available*1	Not available	-40 to +105
	R5F5651EDGBG	PLBG0176GA-A	2 M	640 K	32 K	120 MHz	Not available	Available	Available	-40 to +105
	R5F5651EHGBG	PLBG0176GA-A	2 M	640 K	32 K	120 MHz	Available	Available	Available	-40 to +105
	R5F5651CDGBG	PLBG0176GA-A	1.5 M	640 K	32 K	120 MHz	Not available	Available	Available	-40 to +105

Table 1.3 List of Products (11/12)

Group	Part No.	Package	Code Flash Memory Capacity (byte(s))	RAM Capacity (byte(s))	Data Flash Memory Capacity (byte(s))	Operating Frequency (Max.)	Encryption Module	SDHI/SDSI	Dual bank	Operating temperature (°C)
RX651 (G version)	R5F5651CHGBG	PLBG0176GA-A	1.5 M	640 K	32 K	120 MHz	Available	Available	Available	-40 to +105
	R5F5651EDGBP	PTBG0064KB-A	2 M	640 K	32 K	120 MHz	Not available	Available*1	Available	-40 to +105
	R5F5651EHGBP	PTBG0064KB-A	2 M	640 K	32 K	120 MHz	Available	Available*1	Available	-40 to +105
	R5F5651CDGBP	PTBG0064KB-A	1.5 M	640 K	32 K	120 MHz	Not available	Available*1	Available	-40 to +105
	R5F5651CHGBP	PTBG0064KB-A	1.5 M	640 K	32 K	120 MHz	Available	Available*1	Available	-40 to +105
	R5F56519BGBP	PTBG0064KB-A	1 M	256 K	Not included	120 MHz	Not available	Available*1	Not available	-40 to +105
	R5F56519FGBP	PTBG0064KB-A	1 M	256 K	Not included	120 MHz	Available	Available*1	Not available	-40 to +105
	R5F56517BGBP	PTBG0064KB-A	768 K	256 K	Not included	120 MHz	Not available	Available*1	Not available	-40 to +105
	R5F56517FGBP	PTBG0064KB-A	768 K	256 K	Not included	120 MHz	Available	Available*1	Not available	-40 to +105
	R5F56514BGBP	PTBG0064KB-A	512 K	256 K	Not included	120 MHz	Not available	Available*1	Not available	-40 to +105
	R5F56514FGBP	PTBG0064KB-A	512 K	256 K	Not included	120 MHz	Available	Available*1	Not available	-40 to +105
	R5F5651EDGLC	PTLG0177KA-A	2 M	640 K	32 K	120 MHz	Not available	Available	Available	-40 to +105
	R5F5651EHGLC	PTLG0177KA-A	2 M	640 K	32 K	120 MHz	Available	Available	Available	-40 to +105
	R5F5651CDGLC	PTLG0177KA-A	1.5 M	640 K	32 K	120 MHz	Not available	Available	Available	-40 to +105
	R5F5651CHGLC	PTLG0177KA-A	1.5 M	640 K	32 K	120 MHz	Available	Available	Available	-40 to +105
	R5F5651EDGLK	PTLG0145KA-A	2 M	640 K	32 K	120 MHz	Not available	Available	Available	-40 to +105
	R5F5651EHGLK	PTLG0145KA-A	2 M	640 K	32 K	120 MHz	Available	Available	Available	-40 to +105
	R5F5651CDGLK	PTLG0145KA-A	1.5 M	640 K	32 K	120 MHz	Not available	Available	Available	-40 to +105
	R5F5651CHGLK	PTLG0145KA-A	1.5 M	640 K	32 K	120 MHz	Available	Available	Available	-40 to +105
	R5F56519AGLK	PTLG0145KA-A	1 M	256 K	Not included	120 MHz	Not available	Not available	Not available	-40 to +105
	R5F56519BGLK	PTLG0145KA-A	1 M	256 K	Not included	120 MHz	Not available	Available	Not available	-40 to +105
	R5F56519EGLK	PTLG0145KA-A	1 M	256 K	Not included	120 MHz	Available	Not available	Not available	-40 to +105
	R5F56519FGLK	PTLG0145KA-A	1 M	256 K	Not included	120 MHz	Available	Available	Not available	-40 to +105
	R5F56517AGLK	PTLG0145KA-A	768 K	256 K	Not included	120 MHz	Not available	Not available	Not available	-40 to +105
	R5F56517BGLK	PTLG0145KA-A	768 K	256 K	Not included	120 MHz	Not available	Available	Not available	-40 to +105
	R5F56517EGLK	PTLG0145KA-A	768 K	256 K	Not included	120 MHz	Available	Not available	Not available	-40 to +105
	R5F56517FGLK	PTLG0145KA-A	768 K	256 K	Not included	120 MHz	Available	Available	Not available	-40 to +105
	R5F56514AGLK	PTLG0145KA-A	512 K	256 K	Not included	120 MHz	Not available	Not available	Not available	-40 to +105
	R5F56514BGLK	PTLG0145KA-A	512 K	256 K	Not included	120 MHz	Not available	Available	Not available	-40 to +105
	R5F56514EGLK	PTLG0145KA-A	512 K	256 K	Not included	120 MHz	Available	Not available	Not available	-40 to +105
R5F56514FGLK	PTLG0145KA-A	512 K	256 K	Not included	120 MHz	Available	Available	Not available	-40 to +105	



Table 1.3 List of Products (12/12)

Group	Part No.	Package	Code Flash Memory Capacity (byte(s))	RAM Capacity (byte(s))	Data Flash Memory Capacity (byte(s))	Operating Frequency (Max.)	Encryption Module	SDHI/SDSI	Dual bank	Operating temperature (°C)
RX651 (G version)	R5F5651EDGLJ	PTLG0100JA-A	2 M	640 K	32 K	120 MHz	Not available	Available	Available	-40 to +105
	R5F5651EHGLJ	PTLG0100JA-A	2 M	640 K	32 K	120 MHz	Available	Available	Available	-40 to +105
	R5F5651CDGLJ	PTLG0100JA-A	1.5 M	640 K	32 K	120 MHz	Not available	Available	Available	-40 to +105
	R5F5651CHGLJ	PTLG0100JA-A	1.5 M	640 K	32 K	120 MHz	Available	Available	Available	-40 to +105
	R5F56519AGLJ	PTLG0100JA-A	1 M	256 K	Not included	120 MHz	Not available	Not available	Not available	-40 to +105
	R5F56519BGLJ	PTLG0100JA-A	1 M	256 K	Not included	120 MHz	Not available	Available	Not available	-40 to +105
	R5F56519EGLJ	PTLG0100JA-A	1 M	256 K	Not included	120 MHz	Available	Not available	Not available	-40 to +105
	R5F56519FGLJ	PTLG0100JA-A	1 M	256 K	Not included	120 MHz	Available	Available	Not available	-40 to +105
	R5F56517AGLJ	PTLG0100JA-A	768 K	256 K	Not included	120 MHz	Not available	Not available	Not available	-40 to +105
	R5F56517BGLJ	PTLG0100JA-A	768 K	256 K	Not included	120 MHz	Not available	Available	Not available	-40 to +105
	R5F56517EGLJ	PTLG0100JA-A	768 K	256 K	Not included	120 MHz	Available	Not available	Not available	-40 to +105
	R5F56517FGLJ	PTLG0100JA-A	768 K	256 K	Not included	120 MHz	Available	Available	Not available	-40 to +105
	R5F56514AGLJ	PTLG0100JA-A	512 K	256 K	Not included	120 MHz	Not available	Not available	Not available	-40 to +105
	R5F56514BGLJ	PTLG0100JA-A	512 K	256 K	Not included	120 MHz	Not available	Available	Not available	-40 to +105
	R5F56514EGLJ	PTLG0100JA-A	512 K	256 K	Not included	120 MHz	Available	Not available	Not available	-40 to +105
	R5F56514FGLJ	PTLG0100JA-A	512 K	256 K	Not included	120 MHz	Available	Available	Not available	-40 to +105

Note 1. Only SDHI is available.

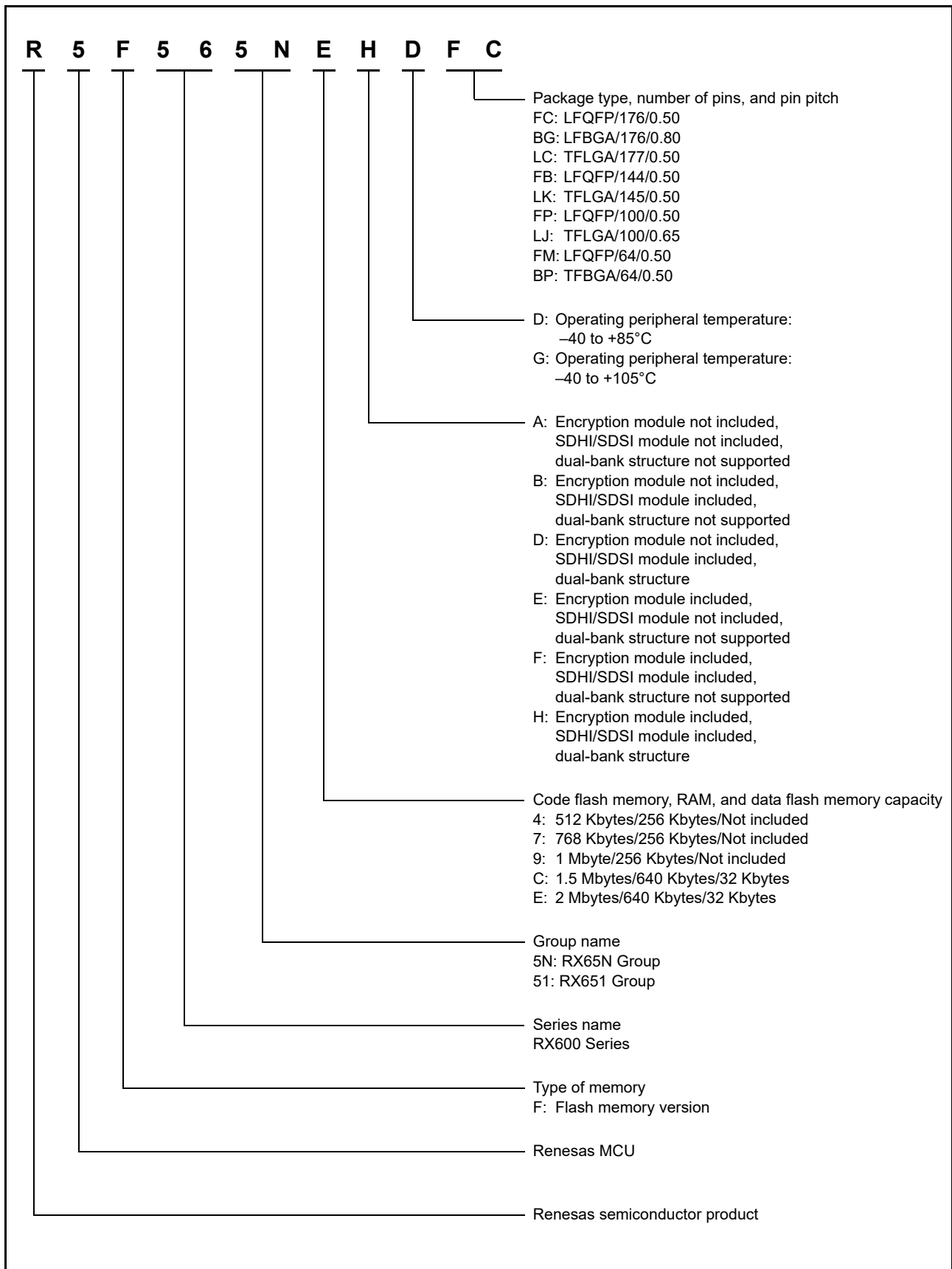


Figure 1.1 How to Read the Product Part Number

### 1.3 Block Diagram

Figure 1.2 shows a block diagram.

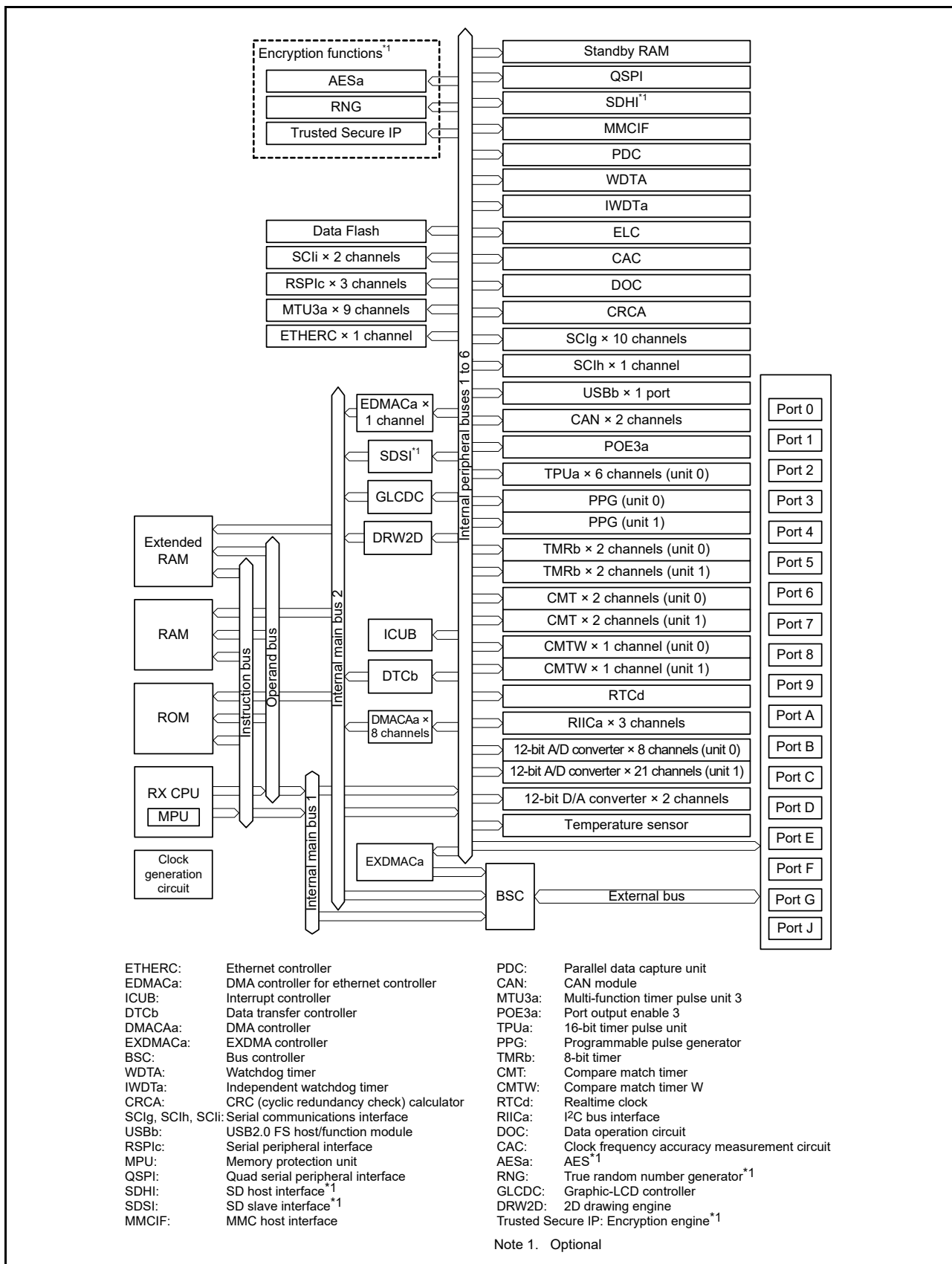


Figure 1.2 Block Diagram

## 1.4 Pin Functions

Table 1.4 lists the pin functions.

**Table 1.4 Pin Functions (1/8)**

Classifications	Pin Name	I/O	Description
Digital power supply	VCC	Input	Power supply pin. Connect this pin to the system power supply. Connect the pin to VSS via a 0.1- $\mu$ F multilayer ceramic capacitor. The capacitor should be placed close to the pin.
	VCL	Input	Connect this pin to VSS via a 0.22- $\mu$ F multilayer ceramic capacitor. The capacitor should be placed close to the pin.
	VSS	Input	Ground pin. Connect it to the system power supply (0 V).
	VBATT	Input	Backup power pin
Clock	XTAL	Output	Pins for a crystal resonator. An external clock signal can be input through the EXTAL pin.
	EXTAL	Input	
	BCLK	Output	Outputs the external bus clock for external devices.
	SDCLK	Output	Outputs the SDRAM-dedicated clock.
	XCOUT	Output	Input/output pins for the sub clock oscillator. Connect a crystal resonator between XCOUT and XCIN.
	XCIN	Input	
Clock frequency accuracy measurement	CACREF	Input	Reference clock input pin for the clock frequency accuracy measurement circuit
Operating mode control	MD	Input	Pin for setting the operating mode. The signal level on this pin must not be changed during operation.
	UB	Input	USB boot mode enable pin
	UPSEL	Input	Selects the power supply method in USB boot mode. The low level selects self-powered mode and the high level selects bus-powered mode.
System control	RES#	Input	Reset signal input pin. This LSI enters the reset state when this signal goes low.
	EMLE	Input	Input pin for the on-chip emulator enable signal. When the on-chip emulator is used, this pin should be driven high. When not used, it should be driven low.
	BSCANP	Input	Boundary scan enable pin. Boundary scan is enabled when this pin goes high. When not used, it should be driven low.
On-chip emulator	FINED	I/O	Fine interface pin
	TRST#	Input	On-chip emulator or boundary scan pins. When the EMLE pin is driven high, these pins are dedicated for the on-chip emulator.
	TMS	Input	
	TDI	Input	
	TCK	Input	
	TDO	Output	
	TRCLK	Output	This pin outputs the clock for synchronization with the trace data.
	TRSYNC TRSYNC1	Output	These pins indicate that output from the TRDATA0 to TRDATA7 pins is valid.
	TRDATA0 TRDATA1 TRDATA2 TRDATA3 TRDATA4 TRDATA5 TRDATA6 TRDATA7	Output	These pins output the trace information.
	Address bus	A0 to A23	Output
Data bus	D0 to D31	I/O	Input and output pins for the bidirectional data bus

**Table 1.4 Pin Functions (2/8)**

Classifications	Pin Name	I/O	Description
Multiplexed bus	A0/D0 to A15/D15	I/O	Address/data multiplexed bus
Bus control	RD#	Output	Strobe signal which indicates that reading from the external bus interface space is in progress
	WR#	Output	Strobe signal which indicates that writing to the external bus interface space is in progress, in 1-write strobe mode
	WR0# to WR3#	Output	Strobe signals which indicate that either group of data bus pins (D7 to D0, D15 to D8, D23 to D16 and D31 to D24) is valid in writing to the external bus interface space, in byte strobe mode
	BC0# to BC3#	Output	Strobe signals which indicate that either group of data bus pins (D7 to D0, D15 to D8, D23 to D16 and D31 to D24) is valid in access to the external bus interface space, in 1-write strobe mode
	ALE	Output	Address latch signal when address/data multiplexed bus is selected
	WAIT#	Input	Input pin for wait request signals in access to the external space
	CS0# to CS7#	Output	Select signals for CS areas
	CKE	Output	SDRAM clock enable signal
	SDCS#	Output	SDRAM chip select signal
	RAS#	Output	SDRAM row address strobe signal
	CAS#	Output	SDRAM column address strobe signal
	WE#	Output	SDRAM write enable pin
	DQM0 to DQM3	Output	SDRAM I/O data mask enable signals
	EXDMA controller	EDREQ0, EDREQ1	Input
EDACK0, EDACK1		Output	Single address transfer acknowledge signals
Interrupt	NMI	Input	Non-maskable interrupt request pin
	IRQ0 to IRQ15, IRQ0-DS to IRQ15-DS	Input	Maskable interrupt request pins
Multi-function timer pulse unit 3	MTIOC0A, MTIOC0B, MTIOC0C, MTIOC0D	I/O	The TGRA0 to TGRD0 input capture input/output compare output/PWM output pins
	MTIOC1A, MTIOC1B	I/O	The TGRA1 and TGRB1 input capture input/output compare output/PWM output pins
	MTIOC2A, MTIOC2B	I/O	The TGRA2 and TGRB2 input capture input/output compare output/PWM output pins
	MTIOC3A, MTIOC3B, MTIOC3C, MTIOC3D	I/O	The TGRA3 to TGRD3 input capture input/output compare output/PWM output pins
	MTIOC4A, MTIOC4B, MTIOC4C, MTIOC4D	I/O	The TGRA4 to TGRD4 input capture input/output compare output/PWM output pins
	MTIC5U, MTIC5V, MTIC5W	Input	The TGRU5, TGRV5, and TGRW5 input capture input/dead time compensation input pins
	MTIOC6A, MTIOC6B, MTIOC6C, MTIOC6D	I/O	The TGRA6 to TGRD6 input capture input/output compare output/PWM output pins
	MTIOC7A, MTIOC7B, MTIOC7C, MTIOC7D	I/O	The TGRA7 to TGRD7 input capture input/output compare output/PWM output pins
	MTIOC8A, MTIOC8B, MTIOC8C, MTIOC8D	I/O	The TGRA8 to TGRD8 input capture input/output compare output/PWM output pins
	MTCLKA, MTCLKB, MTCLKC, MTCLKD	Input	Input pins for external clock signals or for phase counting mode clock signals
Port output enable 3	POE0#, POE4#, POE8#, POE10#, POE11#	Input	Input pins for request signals to place the MTU in the high impedance state

**Table 1.4 Pin Functions (3/8)**

Classifications	Pin Name	I/O	Description
16-bit timer pulse unit	TIOCA0, TIOCB0, TIOCC0, TIOCD0	I/O	The TGRA0 to TGRD0 input capture input/output compare output/PWM output pins
	TIOCA1, TIOCB1	I/O	The TGRA1 and TGRB1 input capture input/output compare output/PWM output pins
	TIOCA2, TIOCB2	I/O	The TGRA2 and TGRB2 input capture input/output compare output/PWM output pins
	TIOCA3, TIOCB3, TIOCC3, TIOCD3	I/O	The TGRA3 to TGRD3 input capture input/output compare output/PWM output pins
	TIOCA4, TIOCB4	I/O	The TGRA4 and TGRB4 input capture input/output compare output/PWM output pins
	TIOCA5, TIOCB5	I/O	The TGRA5 and TGRB5 input capture input/output compare output/PWM output pins
	TCLKA, TCLKB, TCLKC, TCLKD	Input	Input pins for external clock signals or for phase counting mode clock signals
Programmable pulse generator	PO0 to PO31	Output	Output pins for the pulse signals
8-bit timer	TMO0 to TMO3	Output	Compare match output pins
	TMCI0 to TMCI3	Input	Input pins for external clocks to be input to the counter
	TMRI0 to TMRI3	Input	Input pins for the counter reset
Compare match timer W	TIC0 to TIC3	Input	Input pins for CMTW
	TOC0 to TOC3	Output	Output pins for CMTW
Serial communications interface (SCIg)	• Asynchronous mode/clock synchronous mode		
	SCK0 to SCK9	I/O	Input/output pins for the clock
	RXD0 to RXD9	Input	Input pins for received data
	TXD0 to TXD9	Output	Output pins for transmitted data
	CTS0# to CTS9#	Input	Input pins for controlling the start of transmission and reception
	RTS0# to RTS9#	Output	Output pins for controlling the start of transmission and reception
	• Simple I <sup>2</sup> C mode		
	SSCL0 to SSCL9	I/O	Input/output pins for the I <sup>2</sup> C clock
	SSDA0 to SSDA9	I/O	Input/output pins for the I <sup>2</sup> C data
	• Simple SPI mode		
	SCK0 to SCK9	I/O	Input/output pins for the clock
	SMISO0 to SMISO9	I/O	Input/output pins for slave transmission of data
	SMOSI0 to SMOSI9	I/O	Input/output pins for master transmission of data
	SS0# to SS9#	Input	Chip-select input pins

**Table 1.4 Pin Functions (4/8)**

Classifications	Pin Name	I/O	Description	
Serial communications interface (SCIh)	• Asynchronous mode/clock synchronous mode			
	SCK12	I/O	Input/output pin for the clock	
	RXD12	Input	Input pin for received data	
	TXD12	Output	Output pin for transmitted data	
	CTS12#	Input	Input pin for controlling the start of transmission and reception	
	RTS12#	Output	Output pin for controlling the start of transmission and reception	
	• Simple I <sup>2</sup> C mode			
	SSCL12	I/O	Input/output pin for the I <sup>2</sup> C clock	
	SSDA12	I/O	Input/output pin for the I <sup>2</sup> C data	
	• Simple SPI mode			
	SCK12	I/O	Input/output pin for the clock	
	SMISO12	I/O	Input/output pin for slave transmission of data	
	SMOSI12	I/O	Input/output pin for master transmission of data	
	SS12#	Input	Chip-select input pin	
	• Extended serial mode			
	RXDX12	Input	Input pin for received data	
	TXDX12	Output	Output pin for transmitted data	
	SIOX12	I/O	Input/output pin for received or transmitted data	
	Serial communications interface (SCIi)	• Asynchronous mode/clock synchronous mode		
		SCK10 and SCK11	I/O	Input/output pin for the clock
RXD10 and RXD11		Input	Input pin for received data	
TXD10 and TXD11		Output	Output pin for transmitted data	
CTS10# and CTS11#		Input	Input pin for controlling the start of transmission and reception	
RTS10# and RTS11#		Output	Output pin for controlling the start of transmission and reception	
• Simple I <sup>2</sup> C mode				
SSCL10 and SSCL11		I/O	Input/output pin for the I <sup>2</sup> C clock	
SSDA10 and SSDA11		I/O	Input/output pin for the I <sup>2</sup> C data	
• Simple SPI mode				
SCK10 and SCK11		I/O	Input/output pin for the clock	
SMISO10 and SMISO11		I/O	Input/output pin for slave transmission of data	
SMOSI10 and SMOSI11		I/O	Input/output pin for master transmission of data	
SS10# and SS11#		Input	Chip-select input pin	
I <sup>2</sup> C bus interface		SCL0[FM+], SCL1, SCL2, SCL2-DS	I/O	Input/output pins for clocks. Bus can be directly driven by the N-channel open drain
	SDA0[FM+], SDA1, SDA2, SDA2-DS	I/O	Input/output pins for data. Bus can be directly driven by the N-channel open drain	

**Table 1.4 Pin Functions (5/8)**

Classifications	Pin Name	I/O	Description
Ethernet controller	REF50CK0	Input	50-MHz reference clocks. These pins input reference signals for transmission/reception timings in RMII mode.
	RMII0_CRS_DV	Input	Indicate that there are carrier detection signals and valid receive data on RMII0_RXD1 and RMII0_RXD0 in RMII mode.
	RMII0_TXD0, RMII0_TXD1	Output	2-bit transmit data in RMII mode
	RMII0_RXD0, RMII0_RXD1	Input	2-bit receive data in RMII mode
	RMII0_TXD_EN	Output	Output pins for data transmit enable signals in RMII mode
	RMII0_RX_ER	Input	Indicate an error has occurred during reception of data in RMII mode.
	ET0_CRS	Input	Carrier detection/data reception enable pins
	ET0_RX_DV	Input	Indicate that there are valid receive data on ET0_ERXD3 to ET0_ERXD0.
	ET0_EXOUT	Output	General-purpose external output pins
	ET0_LINKSTA	Input	Input link status from the PHY-LSI.
	ET0_ETXD0 to ET0_ETXD3	Output	4 bits of MII transmit data
	ET0_ERXD0 to ET0_ERXD3	Input	4 bits of MII receive data
	ET0_TX_EN	Output	Transmit enable pins. Function as signals indicating that transmit data is ready on ET0_ETXD3 to ET0_ETXD0.
	ET0_TX_ER	Output	Transmit error pins. Function as signals notifying the PHY-LSI of an error during transmission.
	ET0_RX_ER	Input	Receive error pins. Function as signals to recognize an error during reception.
	ET0_TX_CLK	Input	Transmit clock pins. These pins input reference signals for output timings from ET0_TX_EN, ET0_ETXD3 to ET0_ETXD0, and ET0_TX_ER.
	ET0_RX_CLK	Input	Receive clock pins. These pins input reference signals for input timings to ET0_RX_DV, ET0_ERXD3 to ET0_ERXD0, and ET0_RX_ER.
	ET0_COL	Input	Input collision detection signals.
	ET0_WOL	Output	Receive Magic packets.
	ET0_MDC	Output	Output reference clock signals for information transfer via ET0_MDIO.
ET0_MDIO	I/O	Input or output bidirectional signals for exchange of management information between this MCU and the PHY-LSI.	
USB 2.0 host/function module	VCC_USB	Input	Power supply pin
	VSS_USB	Input	Ground pin
	USB0_DP	I/O	Input or output USB transceiver D+ data.
	USB0_DM	I/O	Input or output USB transceiver D- data.
	USB0_EXICEN	Output	Connect to the OTG power IC.
	USB0_ID	Input	Connect to the OTG power IC.
	USB0_VBUSEN	Output	USB VBUS power enable pins
	USB0_OVRCURA/ USB0_OVRCURB	Input	USB overcurrent pins
USB0_VBUS	Input	USB cable connection/disconnection detection input pin	
CAN module	CRX0, CRX1, CRX1-DS	Input	Input pins
	CTX0, CTX1	Output	Output pins



**Table 1.4 Pin Functions (6/8)**

Classifications	Pin Name	I/O	Description
Serial peripheral interface	RSPCKA-A/RSPCKA-B/ RSPCKB-A/RSPCKB-B/ RSPCKC-A/RSPCKC-B	I/O	Clock input/output pins
	MOSIA-A/MOSIA-B/ MOSIB-A/MOSIB-B/ MOSIC-A/MOSIC-B	I/O	Input or output data output from the master
	MISOA-A/MISOA-B/ MISOB-A/MISOB-B/ MISOC-A/MISOC-B	I/O	Input or output data output from the slave
	SSLA0-A/SSLA0-B/ SSLB0-A/SSLB0-B/ SSLC0-A/SSLC0-B	I/O	Input or output pins for slave selection
	SSLA1-A/SSLA1-B/ SSLB1-A/SSLB1-B/ SSLC1-A/SSLC1-B, SSLA2-A/SSLA2-B/ SSLB2-A/SSLB2-B/ SSLC2-A/SSLC2-B, SSLA3-A/SSLA3-B/ SSLB3-A/SSLB3-B/ SSLC3-A/SSLC3-B	Output	Output pins for slave selection
Quad serial peripheral interface	QSPCLK-A/QSPCLK-B	Output	QSPI clock output pins
	QSSL-A/QSSL-B	Output	QSPI slave output pins
	QMO-A/QMO-B, QIO0-A/QIO0-B	I/O	Master transmit data/data 0
	QMI-A/QMI-B, QIO1-A/QIO1-B	I/O	Master input data/data 1
	QIO2-A/QIO2-B, QIO3-A/QIO3-B	I/O	Data 2, data 3
MMC host interface	MMC_CLK-A/ MMC_CLK-B	Output	MMC clock pins
	MMC_CMD-A/ MMC_CMD-B	I/O	Command/response pins
	MMC_D7-A/MMC_D7-B to MMC_D0-A/MMC_D0-B	I/O	Transmit data/receive data
	MMC_CD-A/MMC_CD-B	Input	Card detection pins
	MMC_RES#-A/MMC_RES#-B	Output	MMC reset output pins
SD host interface	SDHI_CLK-A/SDHI_CLK-B/ SDHI_CLK-C	Output	SD clock output pins
	SDHI_CMD-A/SDHI_CMD-B/ SDHI_CMD-C	I/O	SD command output, response input signal pins
	SDHI_D3-A/SDHI_D3-B/ SDHI_D3-C to SDHI_D0-A/ SDHI_D0-B/SDHI_D0-C	I/O	SD data bus pins
	SDHI_CD	Input	SD card detection pin
	SDHI_WP	Input	SD write-protect signal
	SD slave interface	SDSI_CLK-A/SDSI_CLK-B	Input
SDSI_CMD-A/SDSI_CMD-B		I/O	SD command input, response output signal pins
SDSI_D3-A/SDSI_D3-B, SDSI_D2-A/SDSI_D2-B, SDSI_D1-A/SDSI_D1-B, SDSI_D0-A/SDSI_D0-B		I/O	SD data bus pins

**Table 1.4 Pin Functions (7/8)**

Classifications	Pin Name	I/O	Description
Parallel data capture unit	PIXCLK	Input	Image transfer clock pin
	VSYNC	Input	Vertical synchronization signal pin
	HSYNC	Input	Horizontal synchronization signal pin
	PIXD0 to PIXD7	Input	8-bit image data pins
	PCKO	Output	Output pin for dot clock
Graphic-LCD controller	LCD_CLK-A, LCD_CLK-B	Output	Panel clock output pins
	LCD_TCON3-A/ LCD_TCON3-B to LCD_TCON0-A/ LCD_TCON0-B	Output	Control signal output pins
	LCD_DATA23-A/ LCD_DATA23-B to LCD_DATA0-A/ LCD_DATA0-B	Output	LCD signal output pins
	LCD_EXTCLK-A, LCD_EXTCLK-B	Input	Panel clock source input pins
Realtime clock	RTCOUT	Output	Output pin for 1-Hz/64-Hz clock
	RTCIC0 to RTCIC2	Input	Time capture event input pins
12-bit A/D converter	AN000 to AN007, AN100 to AN120	Input	Input pins for the analog signals to be processed by the A/D converter
	ADTRG0#, ADTRG1#	Input	Input pins for the external trigger signals that start the A/D conversion
	ANEX0	Output	Extended analog output pin
	ANEX1	Input	Extended analog input pin
12-bit D/A converter	DA0, DA1	Output	Output pins for the analog signals to be processed by the D/A converter
Analog power supply	AVCC0	Input	Analog voltage supply pin for the 12-bit A/D converter (unit 0). Connect this pin to a branch from the VCC power supply. Connect the pin to AVSS0 via a 0.1- $\mu$ F multilayer ceramic capacitor. The capacitor should be placed close to the pin.
	AVSS0	Input	Analog ground pin for the 12-bit A/D converter (unit 0). Connect this pin to a branch from the VSS ground power supply. Connect the pin to AVCC0 via a 0.1- $\mu$ F multilayer ceramic capacitor. The capacitor should be placed close to the pin.
	VREFH0	Input	Analog reference voltage supply pin for the 12-bit A/D converter (unit 0). Connect this pin to VCC if the 12-bit A/D converter is not to be used.
	VREFL0	Input	Analog reference ground pin for the 12-bit A/D converter (unit 0). Connect this pin to VSS if the 12-bit A/D converter is not to be used.
	AVCC1	Input	Analog voltage supply and reference voltage supply pin for the 12-bit A/D converter (unit 1) and D/A converter. This pin also supplies the analog voltage to the temperature sensor. Connect this pin to a branch from the VCC power supply. Connect the pin to AVSS1 via a 0.1- $\mu$ F multilayer ceramic capacitor. The capacitor should be placed close to the pin.
	AVSS1	Input	Analog voltage supply and reference voltage supply pin for the 12-bit A/D converter (unit 1) and D/A converter. This pin also supplies the analog ground voltage to the temperature sensor. Connect this pin to a branch from the VSS ground power supply. Connect the pin to AVCC1 via a 0.1- $\mu$ F multilayer ceramic capacitor. The capacitor should be placed close to the pin.

**Table 1.4 Pin Functions (8/8)**

Classifications	Pin Name	I/O	Description
I/O ports	P00 to P03, P05, P07	I/O	6-bit input/output pins
	P10 to P17	I/O	8-bit input/output pins
	P20 to P27	I/O	8-bit input/output pins
	P30 to P37	I/O	8-bit input/output pins (P35: input pin)
	P40 to P47	I/O	8-bit input/output pins
	P50 to P57	I/O	8-bit input/output pins
	P60 to P67	I/O	8-bit input/output pins
	P70 to P77	I/O	8-bit input/output pins
	P80 to P87	I/O	8-bit input/output pins
	P90 to P97	I/O	8-bit input/output pins
	PA0 to PA7	I/O	8-bit input/output pins
	PB0 to PB7	I/O	8-bit input/output pins
	PC0 to PC7	I/O	8-bit input/output pins
	PD0 to PD7	I/O	8-bit input/output pins
	PE0 to PE7	I/O	8-bit input/output pins
	PF0 to PF5	I/O	6-bit input/output pins
	PG0 to PG7	I/O	8-bit input/output pins
	PJ0 to PJ3, PJ5	I/O	5-bit input/output pins

Note: Note the following regarding pin names. For details, see section 1.5, Pin Assignments.

- When a letter “-A”, “-B”, etc. to indicate group membership is appended to the pin name, each pin is recommended to use in combination with the pins in the same group.  
All RSPI, QSPI, SDHI, MMC, GLCDC AC timings are measured in combination with the pins in the same group.
- When the pin functions have “-DS” appended to their names, they can also be used as triggers for release from deep software standby.
- RIIC pin functions that have [FM+] appended to their names support fast-mode plus.

## 1.5 Pin Assignments

### 1.5.1 177-Pin TFLGA

	A	B	C	D	E	F	G	H	J	K	L	M	N	P	R					
15	PE2	PE3	P70	P65	P67	VSS	VCC	PG7	PA6	PB0	P72	PB4	VSS	VCC	PC1	15				
14	PE1	PE0	VSS	PE7	PG3	PA0	PA1	PA2	PA7	VCC	PB1	PB5	P73	P75	P74	14				
13	P63	P64	PE4	VCC	PG2	PG4	PG6	PA3	VSS	P71	PB3	PB7	PC0	PC2	P76	13				
12	P60	VSS	P62	PE5	PE6	P66	PG5	PA4	PA5	PB2	PB6	P77	PC3	PC4	P80	12				
11	PD6	PG1	VCC	P61	RX65N Group, RX651 Group PTLG0177KA-A (177-Pin TFLGA) (Upper Perspective View)								P81	P82	PC6	VCC	11			
10	P97	PD4	PG0	PD7									PC5	PC7	P83	VSS	10			
9	VCC	P96	PD3	PD5									P50	P51	P52	P53	9			
8	P94	PD1	PD2	VSS									P55	P54	P10	P11	8			
7	VSS	P92	PD0	P95									P85	P84	P57	P56	7			
6	VCC	P91	P90	P93									PJ1	PJ0	VSS_	USB_	USB0_	DP	6	
5	P46	P47	P45	P44									NC	PJ2	P12	VCC_	USB_	USB0_	DM	5
4	P42	P41	P43	P00									VSS	BSCANP	PF4	P35	PF3	PF1	P25	P86
3	VREFL0	P40	VREFH0	P03	PF5	PJ3	MD/ FINED	RES#	P34	PF2	PF0	P24	P22	P87	P16	3				
2	AVCC0	P07	AVCC1	P02	EMLE	VCL	XCOUT	VSS	VCC	P32	P30	P26	P23	P17	P20	2				
1	AVSS0	P05	AVSS1	P01	PJ5	VBATT	XCIN	XTAL	EXTAL	P33	P31	P27	VCC	VSS	P21	1				
	A	B	C	D	E	F	G	H	J	K	L	M	N	P	R					

Note: This figure indicates the power supply pins and I/O port pins. For the pin configuration, see Table 1.5, List of Pin and Pin Functions (177-Pin TFLGA, 176-Pin LFBGA).

**Figure 1.3 Pin Assignment (177-Pin TFLGA)**

1.5.2 176-Pin LFBGA

	A	B	C	D	E	F	G	H	J	K	L	M	N	P	R		
15	PE2	PE3	P70	P65	P67	VSS	VCC	PG7	PA6	PB0	P72	PB4	VSS	VCC	PC1	15	
14	PE1	PE0	VSS	PE7	PG3	PA0	PA1	PA2	PA7	VCC	PB1	PB5	P73	P75	P74	14	
13	P63	P64	PE4	VCC	PG2	PG4	PG6	PA3	VSS	P71	PB3	PB7	PC0	PC2	P76	13	
12	P60	VSS	P62	PE5	PE6	P66	PG5	PA4	PA5	PB2	PB6	P77	PC3	PC4	P80	12	
11	PD6	PG1	VCC	P61	RX65N Group, RX651 Group PLBG0176GA-A (176-Pin LFBGA) (Upper Perspective View)								P81	P82	PC6	VCC	11
10	P97	PD4	PG0	PD7									PC5	PC7	P83	VSS	10
9	VCC	P96	PD3	PD5									P50	P51	P52	P53	9
8	P94	PD1	PD2	VSS									P55	P54	P10	P11	8
7	VSS	P92	PD0	P95									P85	P84	P57	P56	7
6	VCC	P91	P90	P93									PJ1	PJ0	VSS_USB	USB0_DP	6
5	P46	P47	P45	P44	PJ2	P12	VCC_USB	USB0_DM	5								
4	P42	P41	P43	P00	VSS	BSCANP	PF4	P35	PF3	PF1	P25	P86	P15	P14	P13	4	
3	VREFL0	P40	VREFH0	P03	PF5	PJ3	MD/FINED	RES#	P34	PF2	PF0	P24	P22	P87	P16	3	
2	AVCC0	P07	AVCC1	P02	EMLE	VCL	XCOUT	VSS	VCC	P32	P30	P26	P23	P17	P20	2	
1	AVSS0	P05	AVSS1	P01	PJ5	VBATT	XCIN	XTAL	EXTAL	P33	P31	P27	VCC	VSS	P21	1	
	A	B	C	D	E	F	G	H	J	K	L	M	N	P	R		

Note: This figure indicates the power supply pins and I/O port pins. For the pin configuration, see Table 1.5, List of Pin and Pin Functions (177-Pin TFLGA, 176-Pin LFBGA).

Figure 1.4 Pin Assignment (176-Pin LFBGA)

1.5.3 176-Pin LQFP

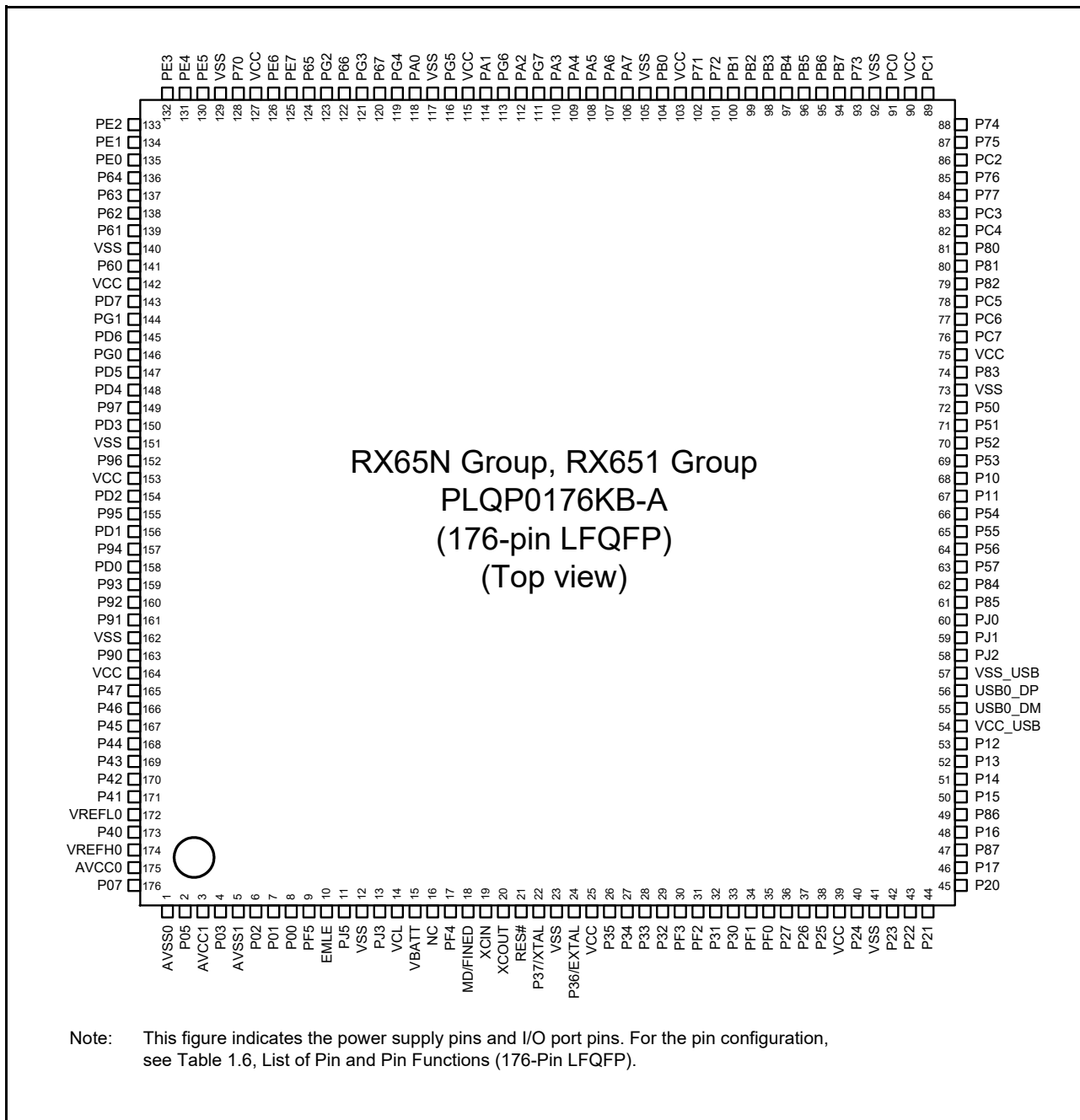


Figure 1.5 Pin Assignment (176-Pin LQFP)

1.5.4 145-Pin TFLGA

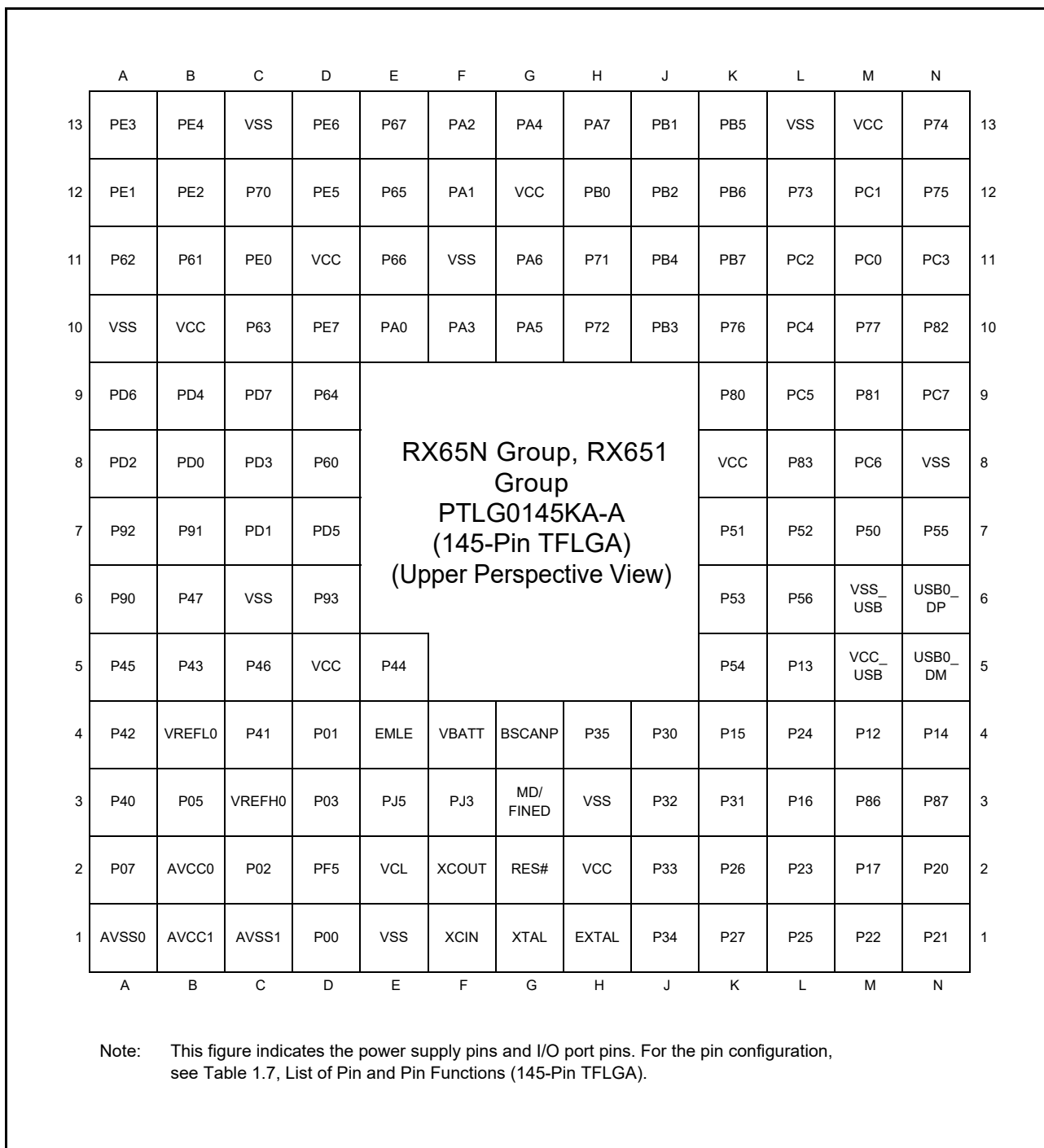


Figure 1.6 Pin Assignment (145-Pin TFLGA)

1.5.5 144-Pin LQFP

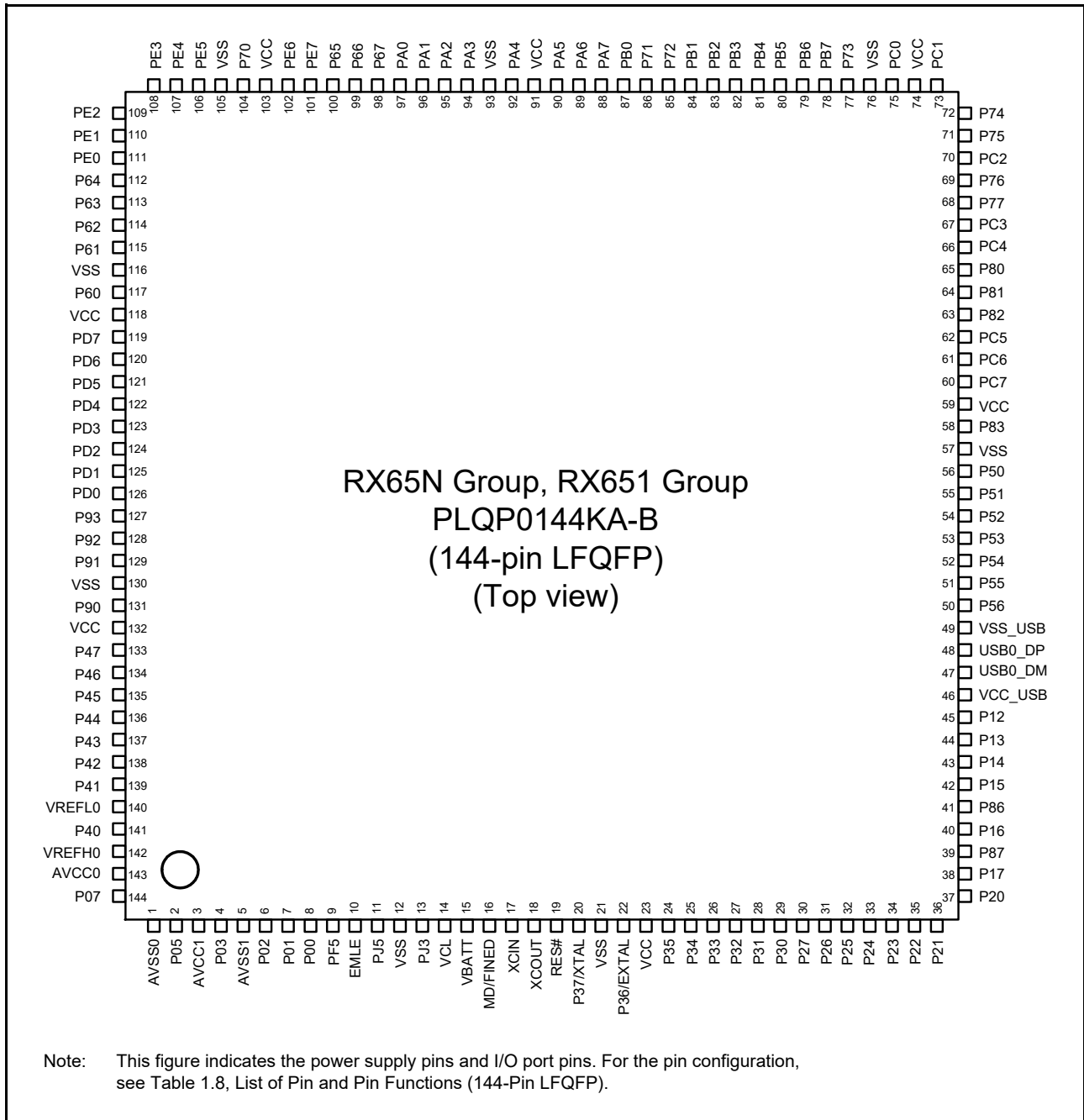


Figure 1.7 Pin Assignment (144-Pin LQFP)



1.5.6 100-Pin TFLGA

**RX65N Group, RX651 Group  
PTLG0100JA-A (100-Pin TFLGA)  
(Upper Perspective View)**

	A	B	C	D	E	F	G	H	J	K	
10	PE2	PE3	PE4	PA0	PA3	VSS	VCC	PB7	PC1	PC2	10
9	PE1	PD7	PE5	PA1	PA5	PA7	PB1	PB6	PC0	PC3	9
8	PE0	PD6	PD5	PE7	PA4	PB0	PB4	PC6	PC4	PC5	8
7	PD4	PD3	PD2	PE6	PA6	PB2	PB5	PC7	P50	P51	7
6	PD0	PD1	P47	P46	PA2	PB3	P52	P54	VCC_ USB	USB0_ DP	6
5	P43	P44	P42	P45	P41	P12	P53	P55	VSS_ USB	USB0_ DM	5
4	VREFL0	P40	VREFH0	VBATT	P34	P32	P27	P15	P13	P14	4
3	P07	AVCC0	PJ3	MD/ FINED	RES#	P35	P30	P16	P17	P20	3
2	AVCC1	AVSS0	AVSS1	XCOOUT	VSS	VCC	P31	P25	P21	P22	2
1	P05	EMLE	VCL	XCIN	XTAL	EXTAL	P33	P26	P24	P23	1
	A	B	C	D	E	F	G	H	J	K	

Note: This figure indicates the power supply pins and I/O port pins. For the pin configuration, see Table 1.9, List of Pin and Pin Functions (100-Pin TFLGA).

**Figure 1.8 Pin Assignment (100-Pin TFLGA)**

1.5.7 100-Pin LFQFP

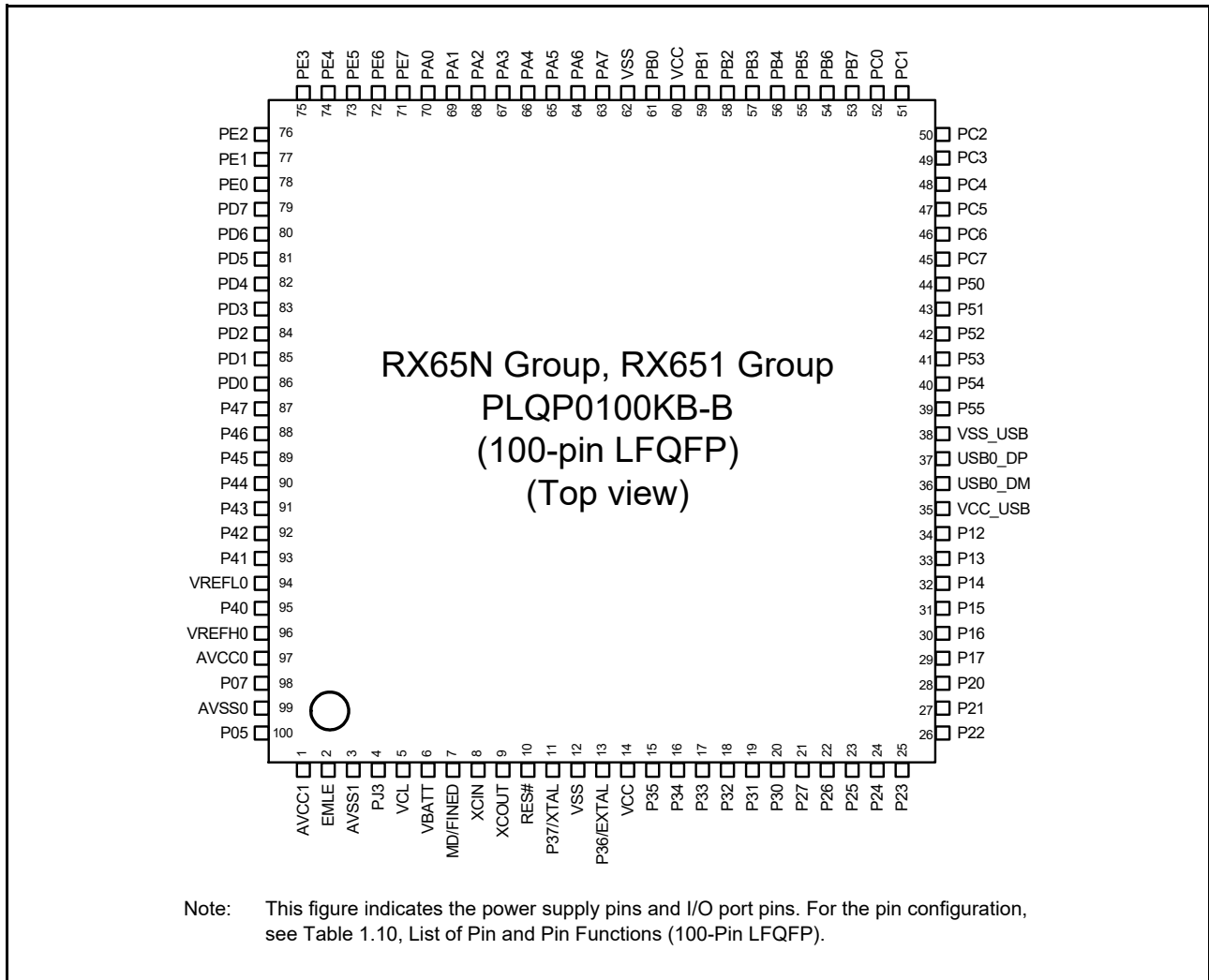


Figure 1.9 Pin Assignment (100-Pin LFQFP)

1.5.8 64-Pin TFBGA

**RX651 Group**  
**PTBG0064KB-A (64-Pin TFBGA)**  
**(Upper Perspective View)**

	A	B	C	D	E	F	G	H	
8	PE2	PE6	PE7	PA4	VSS	PB5	PC0	PC1	8
7	PE0	PE1	PA1	PA2	VCC	PB6	PC5	PC4	7
6	PD7	PD6	PD5	PA6	PA7	PB7	PC7	PC6	6
5	PD2	PD3	PD4	P43	BSCANP	P53	VSS_USB	USB0_DP	5
4	VREFL0	P42	P41	P40	P13	P12	VCC_USB	USB0_DM	4
3	VREFH0	AVCC0	MD/FINED	RES#	P34	P35	P30	P16	3
2	AVSS0	AVSS1	VBATT	XCOUT	VSS	VCC	P31	P17	2
1	AVCC1	EMLE	VCL	XCIN	XTAL	EXTAL	P27	P26	1
	A	B	C	D	E	F	G	H	

Note: This figure indicates the power supply pins and I/O port pins. For the pin configuration, see Table 1.11, List of Pin and Pin Functions (64-Pin TFBGA).

**Figure 1.10 Pin Assignment (64-Pin TFBGA)**

1.5.9 64-Pin LFQFP

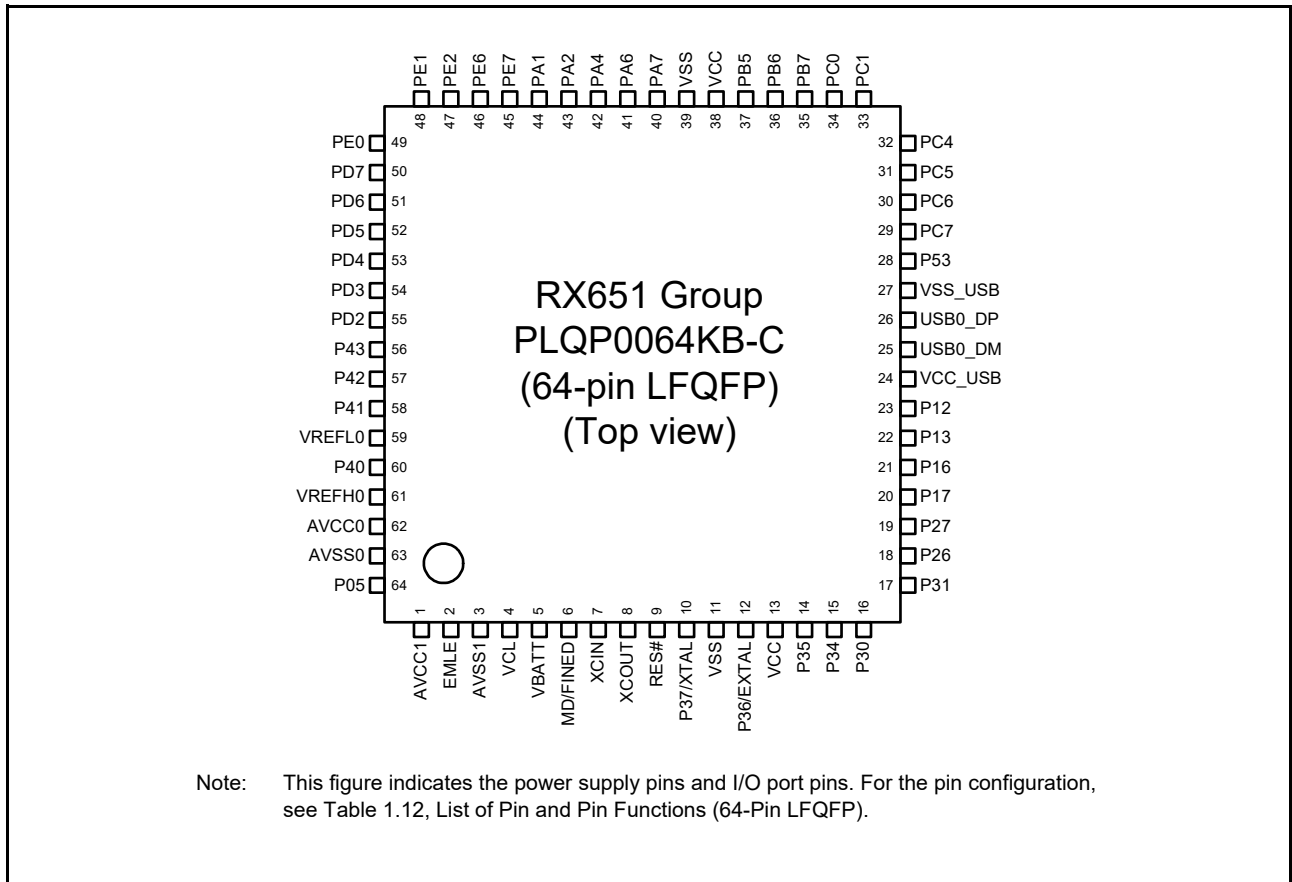


Figure 1.11 Pin Assignment (64-Pin LFQFP)

## 1.6 List of Pin and Pin Functions

## 1.6.1 177-Pin TFLGA, 176-Pin LFBGA

Table 1.5 List of Pin and Pin Functions (177-Pin TFLGA, 176-Pin LFBGA) (1/8)

Pin Number	Power Supply Clock System Control	I/O Port	Bus EXDMAC SDRAMC	Timer (MTU, TPU, TMR, PPG, RTC, CMTW, POE, CAC)	Communication (ETHERC, SCI, RSPI, RIIC, CAN, USB)	Memory Interface Camera Interface (QSPI, SDHI, SDSI, MMCIF, PDC)	GLCDC	Interrupt	A/D D/A
A1	AVSS0								
A2	AVCC0								
A3	VREFL0								
A4		P42						IRQ10-DS	AN002
A5		P46						IRQ14-DS	AN006
A6	VCC								
A7	VSS								
A8		P94	D20/A20						
A9	VCC								
A10	TRSYNC1	P97	D23/A23						
A11		PD6	D6[A6/D6]	MTIOC5V/ MTIOC8A/ POE4#	SSLC2-A	QMO-B/QIO0-B/ SDHI_D0-B/ MMC_D0-B	LCD_DA TA18-B	IRQ6	AN106
A12		P60	CS0#						
A13		P63	CAS#/ D2[A2/D2]/ CS3#						
A14		PE1	D9[A9/D9]/ D1[A1/D1]	MTIOC4C/ MTIOC3B/ PO18	TXD12/ SMOS12/ SSDA12/ TXDX12/ SIOX12/SSLB2- B	MMC_D5-B	LCD_DA TA15-B		ANEX1
A15		PE2	D10[A10/ D10]/D2[A2/ D2]	MTIOC4A/ PO23/TIC3	RXD12/ SMISO12/ SSCL12/ RXDX12/SSLB3- B	MMC_D6-B	LCD_DA TA14-B	IRQ7-DS	AN100
B1		P05						IRQ13	DA1
B2		P07						IRQ15	ADTRG0 #
B3		P40						IRQ8-DS	AN000
B4		P41						IRQ9-DS	AN001
B5		P47						IRQ15-DS	AN007
B6		P91	D17/A17		SCK7				AN115
B7		P92	D18/A18	POE4#	RXD7/SMISO7/ SSCL7				AN116
B8		PD1	D1[A1/D1]	MTIOC4B/ POE0#	MOSIC-A/CTX0		LCD_DA TA23-B	IRQ1	AN109
B9	TRDATA5	P96	D22/A22						
B10		PD4	D4[A4/D4]	MTIOC8B/ POE11#	SSLC0-A	QSSL-B/ SDHI_CMD-B/ MMC_CMD-B	LCD_DA TA20-B	IRQ4	AN112
B11	TRDATA7	PG1	D25						
B12	VSS								

**Table 1.5 List of Pin and Pin Functions (177-Pin TFLGA, 176-Pin LFBGA) (2/8)**

Pin Number	Power Supply Clock System Control	I/O Port	Bus EXDMAC SDRAMC	Timer (MTU, TPU, TMR, PPG, RTC, CMTW, POE, CAC)	Communication (ETHERC, SCI, RSPI, RIIC, CAN, USB)	Memory Interface Camera Interface (QSPI, SDHI, SDSI, MMCIF, PDC)	GLCDC	Interrupt	A/D D/A
B13		P64	WE#/D3[A3/ D3]/CS4#						
B14		PE0	D8[A8/D8]/ D0[A0/D0]	MTIOC3D	SCK12/SSLB1-B	MMC_D4-B	LCD_DA TA16-B		ANEX0
B15		PE3	D11[A11/ D11]/D3[A3/ D3]	MTIOC4B/ PO26/TOC3/ POE8#	ET0_ERXD3/ CTS12#/ RTS12#/SS12#	MMC_D7-B	LCD_DA TA13-B		AN101
C1	AVSS1								
C2	AVCC1								
C3	VREFH0								
C4		P43						IRQ11- DS	AN003
C5		P45						IRQ13- DS	AN005
C6		P90	D16/A16		TXD7/SMOSI7/ SSDA7				AN114
C7		PD0	D0[A0/D0]	POE4#			LCD_EX TCLK-B	IRQ0	AN108
C8		PD2	D2[A2/D2]	MTIOC4D/TIC2	MISOC-A/CRX0	QIO2-B/SDHI_D2- B/MMC_D2-B	LCD_DA TA22-B	IRQ2	AN110
C9		PD3	D3[A3/D3]	MTIOC8D/ TOC2/POE8#	RSPCKC-A	QIO3-B/SDHI_D3- B/MMC_D3-B	LCD_DA TA21-B	IRQ3	AN111
C10	TRDATA6	PG0	D24						
C11	VCC								
C12		P62	RAS#/ D1[A1/D1]/ CS2#						
C13		PE4	D12[A12/ D12]/D4[A4/ D4]	MTIOC4D/ MTIOC1A/ PO28	ET0_ERXD2/ SSLB0-B		LCD_DA TA12-B		AN102
C14	VSS								
C15		P70	SDCLK						
D1		P01		TMC10	RXD6/SMISO6/ SSCL6			IRQ9	AN119
D2		P02		TMC11	SCK6			IRQ10	AN120
D3		P03						IRQ11	DA0
D4		P00		TMR10	TXD6/SMOSI6/ SSDA6			IRQ8	AN118
D5		P44						IRQ12- DS	AN004
D6		P93	D19/A19	POE0#	CTS7#/RTS7#/ SS7#				AN117
D7	TRDATA4	P95	D21/A21						
D8	VSS								
D9		PD5	D5[A5/D5]	MTIC5W/ MTIOC8C/ POE10#	SSLC1-A	QSPCLK-B/ SDHI_CLK-B/ MMC_CLK-B	LCD_DA TA19-B	IRQ5	AN113
D10		PD7	D7[A7/D7]	MTIC5U/ POE0#	SSLC3-A	QMI-B/QIO1-B/ SDHI_D1-B/ MMC_D1-B	LCD_DA TA17-B	IRQ7	AN107
D11		P61	SDCS#/ D0[A0/D0]/ CS1#						

**Table 1.5 List of Pin and Pin Functions (177-Pin TFLGA, 176-Pin LFBGA) (3/8)**

Pin Number	Power Supply Clock System Control	I/O Port	Bus EXDMAC SDRAMC	Timer (MTU, TPU, TMR, PPG, RTC, CMTW, POE, CAC)	Communication (ETHERC, SCI, RSPI, RIIC, CAN, USB)	Memory Interface Camera Interface (QSPI, SDHI, SDSI, MMCIF, PDC)	GLCDC	Interrupt	A/D D/A
D12		PE5	D13[A13/D13]/D5[A5/D5]	MTIOC4C/MTIOC2B	ET0_RX_CLK/REF50CK0/RSPCKB-B		LCD_DA TA11-B	IRQ5	AN103
D13	VCC								
D14		PE7	D15[A15/D15]/D7[A7/D7]	MTIOC6A/TOC1	MISOB-B	SDHI_WP/MMC_RES#-B	LCD_DA TA9-B	IRQ7	AN105
D15		P65	CKE/CS5#						
E1		PJ5		POE8#	CTS2#/RTS2#/SS2#				
E2	EMLE								
E3		PF5						IRQ4	
E4	VSS								
E5 *1	NC								
E12		PE6	D14[A14/D14]/D6[A6/D6]	MTIOC6C/TIC1	MOSIB-B	SDHI_CD/MMC_CD-B	LCD_DA TA10-B	IRQ6	AN104
E13	TRDATA0	PG2	D26						
E14	TRDATA1	PG3	D27						
E15		P67	DQM1/CS7#	MTIOC7C				IRQ15	
F1	VBATT								
F2	VCL								
F3		PJ3	EDACK1	MTIOC3C	ET0_EXOUT/CTS6#/RTS6#/SS6#/CTS0#/RTS0#/SS0#				
F4	BSCANP								
F12		P66	DQM0/CS6#	MTIOC7D					
F13	TRSYNC	PG4	D28						
F14		PA0	DQM2/BC0#/A0	MTIOC4A/MTIOC6D/TIOCA0/PO16/CACREF	ET0_TX_EN/RMII0_TXD_EN/SSLA1-B		LCD_DA TA8-B		
F15	VSS								
G1	XCIN								
G2	XCOUT								
G3	MD/FINED								
G4	TRST#	PF4							
G12	TRCLK	PG5	D29						
G13	TRDATA2	PG6	D30						
G14		PA1	DQM3/A1	MTIOC0B/MTCLKC/MTIOC7B/TIOC0B/PO17	ET0_WOL/SCK5/SSLA2-B		LCD_DA TA7-B	IRQ11	
G15	VCC								
H1	XTAL	P37							
H2	VSS								
H3	RES#								
H4	UPSEL	P35						NMI	

**Table 1.5 List of Pin and Pin Functions (177-Pin TFLGA, 176-Pin LFBGA) (4/8)**

Pin Number				Timer	Communication	Memory Interface Camera Interface			
177-Pin TFLGA 176-Pin LFBGA	Power Supply Clock System Control	I/O Port	Bus EXDMAC SDRAMC	(MTU, TPU, TMR, PPG, RTC, CMTW, POE, CAC)	(ETHERC, SCI, RSPI, RIIC, CAN, USB)	(QSPI, SDHI, SDSI, MMCIF, PDC)	GLCDC	Interrupt	A/D D/A
H12		PA4	A4	MTIC5U/ MTCLKA/ TIOCA1/ TMRI0/PO20	ET0_MDC/TXD5/ SMOSI5/SSDA5/ SSLA0-B		LCD_DA TA4-B	IRQ5-DS	
H13		PA3	A3	MTIOC0D/ MTCLKD/ TIOCDO/ TCLKB/PO19	ET0_MDIO/ RXD5/SMISO5/ SSCL5		LCD_DA TA5-B	IRQ6-DS	
H14		PA2	A2	MTIOC7A/ PO18	RXD5/SMISO5/ SSCL5/SSLA3-B		LCD_DA TA6-B		
H15	TRDATA3	PG7	D31						
J1	EXTAL	P36							
J2	VCC								
J3		P34		MTIOC0A/ TMCI3/PO12/ POE10#	ET0_LINKSTA/ SCK6/SCK0			IRQ4	
J4	TMS	PF3							
J12		PA5	A5	MTIOC6B/ TIOCB1/PO21	ET0_LINKSTA/ RSPCKA-B		LCD_DA TA3-B		
J13	VSS								
J14		PA7	A7	TIOCB2/PO23	ET0_WOL/ MISOA-B		LCD_DA TA1-B		
J15		PA6	A6	MTIC5V/ MTCLKB/ TIOCA2/ TMCI3/PO22/ POE10#	ET0_EXOUT/ CTS5#/RTS5#/ SS5#/MOSIA-B		LCD_DA TA2-B		
K1		P33	EDREQ1	MTIOC0D/ TIOCDO/ TMRI3/PO11/ POE4#/ POE11#	RXD6/SMISO6/ SSCL6/RXD0/ SMISO0/SSCL0/ CRX0	PCKO		IRQ3-DS	
K2		P32		MTIOC0C/ TIOCC0/ TMO3/PO10/ RTCIC2/ RTCOUT/ POE0#/ POE10#	TXD6/SMOSI6/ SSDA6/TXD0/ SMOSI0/SSDA0/ CTX0/ USB0_VBUSEN	VSYNC		IRQ2-DS	
K3	TDI	PF2			RXD1/SMISO1/ SSCL1				
K4	TCK	PF1			SCK1				
K12		PB2	A10	TIOCC3/ TCLKC/PO26	ET0_RX_CLK/ REF50CK0/ CTS4#/RTS4#/ SS4#/CTS6#/ RTS6#/SS6#	SDSI_D2-B	LCD_TC ON2-B		
K13		P71	A18/CS1#		ET0_MDIO				
K14	VCC								
K15		PB0	A8	MTIC5W/ TIOCA3/PO24	ET0_ERXD1/ RMII0_RXD1/ RXD4/SMISO4/ SSCL4/RXD6/ SMISO6/SSCL6		LCD_DA TA0-B	IRQ12	
L1		P31		MTIOC4D/ TMCI2/PO9/ RTCIC1	CTS1#/RTS1#/ SS1#/SSLB0-A			IRQ1-DS	
L2		P30		MTIOC4B/ TMRI3/PO8/ RTCIC0/ POE8#	RXD1/SMISO1/ SSCL1/MISOB-A			IRQ0-DS	



Table 1.5 List of Pin and Pin Functions (177-Pin TFLGA, 176-Pin LFBGA) (5/8)

Pin Number	Power Supply Clock System Control	I/O Port	Bus EXDMAC SDRAMC	Timer (MTU, TPU, TMR, PPG, RTC, CMTW, POE, CAC)	Communication (ETHERC, SCI, RSPI, RIIC, CAN, USB)	Memory Interface Camera Interface (QSPI, SDHI, SDSI, MMCIF, PDC)	GLCDC	Interrupt	A/D D/A
L3	TDO	PF0			TXD1/SMOSI1/SSDA1				
L4		P25	CS5#/EDACK1	MTIOC4C/MTCLKB/TIOCA4/PO5	RXD3/SMISO3/SSCL3	SDHI_CD/HSYNC			ADTRG0 #
L12		PB6	A14	MTIOC3D/TIOCA5/PO30	ET0_ETXD1/RMII0_TXD1/RXD9/SMISO9/SSCL9/SMISO11/SSCL11/RXD11	SDSI_D0-B			
L13		PB3	A11	MTIOC0A/MTIOC4A/TIOCD3/TCLKD/TMO0/PO27/POE11#	ET0_RX_ER/RMII0_RX_ER/SCK4/SCK6	SDSI_D3-B	LCD_TC ON1-B		
L14		PB1	A9	MTIOC0C/MTIOC4C/TIOCB3/TMCI0/PO25	ET0_ERXD0/RMII0_RXD0/TXD4/SMOSI4/SSDA4/TXD6/SMOSI6/SSDA6		LCD_TC ON3-B	IRQ4-DS	
L15		P72	A19/CS2#		ET0_MDC		LCD_DA TA23-A		
M1		P27	CS7#	MTIOC2B/TMCI3/PO7	SCK1/RSPCKB-A				
M2		P26	CS6#	MTIOC2A/TMO1/PO6	TXD1/SMOSI1/SSDA1/CTS3#/RTS3#/SS3#/MOSIB-A				
M3		P24	CS4#/EDREQ1	MTIOC4A/MTCLKA/TIOCB4/TMRI1/PO4	SCK3/USB0_VBUSEN	SDHI_WP/PIXCLK			
M4		P86		MTIOC4D/TIOCA0	SMISO10/SSCL10/RXD10	PIXD1			
M5		PJ2			TXD8/SMOSI8/SSDA8/SSCL3-B		LCD_TC ON2-A		
M6		PJ1		MTIOC6A	RXD8/SMISO8/SSCL8/SSCL2-B		LCD_TC ON3-A		
M7		P85		MTIOC6C/TIOCC0			LCD_DA TA1-A		
M8		P55	D0[A0/D0]/EDREQ0/WAIT#	MTIOC4D/TMO3	ET0_EXOUT/TXD7/SMOSI7/SSDA7/MISOC-B/CRX1		LCD_DA TA5-A	IRQ10	
M9		P50	WR0#/WR#		TXD2/SMOSI2/SSDA2/SSLB1-A				
M10		PC5	D3[A3/D3]/A21/CS2#/WAIT#	MTIOC3B/MTCLKD/TMRI2/PO29	ET0_ETXD2/SCK8/SCK10/RSPCKA-A	MMC_D5-A	LCD_DA TA11-A		
M11		P81	EDACK0	MTIOC3D/PO27	ET0_ETXD0/RMII0_TXD0/SMISO10/SSCL10/RXD10	QIO3-A/SDHI_CD/MMC_D3-A	LCD_DA TA13-A		
M12		P77	CS7#	PO23	ET0_RX_ER/RMII0_RX_ER/SMOSI11/SSDA11/TXD11	QSPCLK-A/SDHI_CLK-A/SDSI_CLK-A/MMC_CLK-A	LCD_DA TA17-A		
M13		PB7	A15	MTIOC3B/TIOCB5/PO31	ET0_CRS/RMII0_CRS_DV/TXD9/SMOSI9/SSDA9/SMOSI11/SSDA11/TXD11	SDSI_D1-B			

**Table 1.5 List of Pin and Pin Functions (177-Pin TFLGA, 176-Pin LFBGA) (6/8)**

Pin Number	Power Supply Clock System Control	I/O Port	Bus EXDMAC SDRAMC	Timer (MTU, TPU, TMR, PPG, RTC, CMTW, POE, CAC)	Communication (ETHERC, SCI, RSPI, RIIC, CAN, USB)	Memory Interface Camera Interface (QSPI, SDHI, SDSI, MMCIF, PDC)	GLCDC	Interrupt	A/D D/A
M14		PB5	A13	MTIOC2A/ MTIOC1B/ TIOCB4/ TMRI1/PO29/ POE4#	ET0_ETXD0/ RMII0_TXD0/ SCK9/SCK11	SDSI_CLK-B	LCD_CLK-B		
M15		PB4	A12	TIOCA4/PO28	ET0_TX_EN/ RMII0_TXD_EN/ CTS9#/RTS9#/ SS9#/SS11#/ CTS11#/RTS11#	SDSI_CMD-B	LCD_TCON0-B		
N1	VCC								
N2		P23	EDACK0	MTIOC3D/ MTCLKD/ TIOCD3/PO3	TXD3/SMOSI3/ SSDA3/CTS0#/ RTS0#/SS0#	SDHI_D1-C/PIXD7			
N3		P22	EDREQ0	MTIOC3B/ MTCLKC/ TIOCC3/ TMO0/PO2	SCK0/ USB0_OVRCUR B	SDHI_D0-C/PIXD6			
N4		P15		MTIOC0B/ MTCLKB/ TIOCB2/ TCLKB/TMC12/ PO13	RXD1/SMISO1/ SSCL1/SCK3/ CRX1-DS	PIXD0		IRQ5	
N5		P12	WR3#/BC3#	MTIC5U/ TMC11	RXD2/SMISO2/ SSCL2/ SCL0[FM+]		LCD_TCON1-A	IRQ2	
N6		PJ0		MTIOC6B	SCK8/SSLC1-B		LCD_DATA0-A		
N7		P84		MTIOC6D			LCD_DATA2-A		
N8		P54	D1[A1/D1]/ EDACK0/ ALE	MTIOC4B/ TMC11	ET0_LINKSTA/ CTS2#/RTS2#/ SS2#/MOSIC-B/ CTX1		LCD_DATA6-A		
N9		P51	WR1#/ BC1#/ WAIT#		SCK2/SSLB2-A				
N10	UB	PC7	A23/CS0#	MTIOC3A/ MTCLKB/ TMO2/PO31/ TOC0/ CACREF	ET0_COL/TXD8/ SMOSI8/SSDA8/ SMOSI10/ SSDA10/TXD10/ MISOA-A	MMC_D7-A	LCD_DATA9-A	IRQ14	
N11		P82	EDREQ1	MTIOC4A/ PO28	ET0_ETXD1/ RMII0_TXD1/ SMOSI10/ SSDA10/TXD10	MMC_D4-A	LCD_DATA12-A		
N12		PC3	A19	MTIOC4D/ TCLKB/PO24	ET0_TX_ER/ TXD5/SMOSI5/ SSDA5	QMO-A/QIO0-A/ SDHI_D0-A/ SDSI_D0-A/ MMC_D0-A	LCD_DATA16-A		
N13		PC0	A16	MTIOC3C/ TCLKC/PO17	ET0_ERXD3/ CTS5#/RTS5#/ SS5#/SSLA1-A			IRQ14	
N14		P73	CS3#	PO16	ET0_WOL		LCD_EX_TCLK-A		
N15	VSS								
P1	VSS								
P2		P17		MTIOC3A/ MTIOC3B/ MTIOC4B/ TIOCB0/ TCLKD/TMO1/ PO15/POE8#	SCK1/TXD3/ SMOSI3/SSDA3/ SDA2-DS	SDHI_D3-C/PIXD3		IRQ7	ADTRG1 #

Table 1.5 List of Pin and Pin Functions (177-Pin TFLGA, 176-Pin LFBGA) (7/8)

Pin Number	Power Supply Clock System Control	I/O Port	Bus EXDMAC SDRAMC	Timer (MTU, TPU, TMR, PPG, RTC, CMTW, POE, CAC)	Communication (ETHERC, SCI, RSPI, RIIC, CAN, USB)	Memory Interface Camera Interface (QSPI, SDHI, SDSI, MMCIF, PDC)	GLCDC	Interrupt	A/D D/A
P3		P87		MTIOC4C/ TIOCA2	SMOSI10/ SSDA10/TXD10	SDHI_D2-C/PIXD2			
P4		P14		MTIOC3A/ MTCLKA/ TIOCB5/ TCLKA/TMRI2/ PO15	CTS1#/RTS1#/ SS1#/CTX1/ USB0_OVRCUR A		LCD_CL K-A	IRQ4	
P5	VCC_USB								
P6	VSS_USB								
P7		P57			RXD7/SMISO7/ SSCL7/SSLC0-B		LCD_DA TA3-A		
P8		P10	ALE	MTIC5W/ TMRI3				IRQ0	
P9		P52	RD#		RXD2/SMISO2/ SSCL2/SSLB3-A				
P10		P83	EDACK1	MTIOC4C	ET0_CRS/ RMII0_CRS_DV/ SCK10/SS10#/ CTS10#		LCD_DA TA8-A		
P11		PC6	D2[A2/D2]/ A22/CS1#	MTIOC3C/ MTCLKA/ TMC12/PO30/ TIC0	ET0_ETXD3/ RXD8/SMISO8/ SSCL8/ SMISO10/ SSCL10/RXD10/ MOSIA-A	MMC_D6-A	LCD_DA TA10-A	IRQ13	
P12		PC4	A20/CS3#	MTIOC3D/ MTCLKC/ TMC11/PO25/ POE0#	ET0_TX_CLK/ SCK5/CTS8#/ RTS8#/SS8#/ SS10#/CTS10#/ RTS10#/SSLA0- A	QMI-A/QIO1-A/ SDHI_D1-A/ SDSI_D1-A/ MMC_D1-A	LCD_DA TA15-A		
P13		PC2	A18	MTIOC4B/ TCLKA/PO21	ET0_RX_DV/ RXD5/SMISO5/ SSCL5/SSLA3-A	SDHI_D3-A/ SDSI_D3-A/ MMC_CD-A	LCD_DA TA19-A		
P14		P75	CS5#	PO20	ET0_ERXD0/ RMII0_RXD0/ SCK11/RTS11#	SDHI_D2-A/ SDSI_D2-A/ MMC_RES#-A	LCD_DA TA20-A		
P15	VCC								
R1		P21		MTIOC1B/ MTIOC4A/ TIOCA3/ TMC10/PO1	RXD0/SMISO0/ SSCL0/SCL1/ USB0_EXICEN	SDHI_CLK-C/ PIXD5		IRQ9	
R2		P20		MTIOC1A/ TIOCB3/ TMRI0/PO0	TXD0/SMOSI0/ SSDA0/SDA1/ USB0_ID	SDHI_CMD-C/ PIXD4		IRQ8	
R3		P16		MTIOC3C/ MTIOC3D/ TIOCB1/ TCLKC/TMO2/ PO14/RTCOU	TXD1/SMOSI1/ SSDA1/RXD3/ SMISO3/SSCL3/ SCL2-DS/ USB0_VBUSEN/ USB0_VBUS/ USB0_OVRCUR B			IRQ6	ADTRG0 #
R4		P13	WR2#/BC2#	MTIOC0B/ TIOCA5/TMO3/ PO13	TXD2/SMOSI2/ SSDA2/ SDA0[FM+]		LCD_TC ON0-A	IRQ3	ADTRG1 #
R5					USB0_DM				
R6					USB0_DP				
R7		P56	EDACK1	MTIOC3C/ TIOCA1	SCK7/RSPCKC- B		LCD_DA TA4-A		
R8		P11		MTIC5W/TMC13	SCK2		LCD_DA TA7-A	IRQ1	

**Table 1.5 List of Pin and Pin Functions (177-Pin TFLGA, 176-Pin LFBGA) (8/8)**

Pin Number 177-Pin TFLGA 176-Pin LFBGA	Power Supply Clock System Control	I/O Port	Bus EXDMAC SDRAMC	Timer (MTU, TPU, TMR, PPG, RTC, CMTW, POE, CAC)	Communication (ETHERC, SCI, RSPI, RIIC, CAN, USB)	Memory Interface Camera Interface (QSPI, SDHI, SDSDI, MMCIF, PDC)	GLCDC	Interrupt	A/D D/A
R9		P53*2	BCLK						
R10	VSS								
R11	VCC								
R12		P80	EDREQ0	MTIOC3B/ PO26	ET0_TX_EN/ RMII0_TXD_EN/ SCK10/RTS10#	QIO2-A/SDHI_WP/ MMC_D2-A	LCD_DA TA14-A		
R13		P76	CS6#	PO22	ET0_RX_CLK/ REF50CK0/ SMISO11/ SSCL11/RXD11	QSSL-A/ SDHI_CMD-A/ SDSI_CMD-A/ MMC_CMD-A	LCD_DA TA18-A		
R14		P74	A20/CS4#	PO19	ET0_ERXD1/ RMII0_RXD1/ SS11#/CTS11#		LCD_DA TA21-A		
R15		PC1	A17	MTIOC3A/ TCLKD/PO18	ET0_ERXD2/ SCK5/SSLA2-A		LCD_DA TA22-A	IRQ12	

Note 1. The 176-pin LFBGA does not include the E5 pin.

Note 2. P53 is multiplexed with the BCLK pin function, so cannot be used as an I/O port pin when the external bus is enabled.

## 1.6.2 176-Pin LQFP

Table 1.6 List of Pin and Pin Functions (176-Pin LQFP) (1/8)

Pin Number	Power Supply Clock System Control	I/O Port	Bus EXDMAC SDRAMC	Timer (MTU, TPU, TMR, PPG, RTC, CMTW, POE, CAC)	Communication (ETHERC, SCI, RSPI, RIIC, CAN, USB)	Memory Interface Camera Interface (QSPI, SDHI, SDSI, MMCIF, PDC)	GLCDC	Interrupt	A/D D/A
1	AVSS0								
2		P05						IRQ13	DA1
3	AVCC1								
4		P03						IRQ11	DA0
5	AVSS1								
6		P02		TMCI1	SCK6			IRQ10	AN120
7		P01		TMC10	RXD6/SMISO6/SSCL6			IRQ9	AN119
8		P00		TMRI0	TXD6/SMOSI6/SSDA6			IRQ8	AN118
9		PF5						IRQ4	
10	EMLE								
11		PJ5		POE8#	CTS2#/RTS2#/SS2#				
12	VSS								
13		PJ3	EDACK1	MTIOC3C	ET0_EXOUT/CTS6#/RTS6#/SS6#/CTS0#/RTS0#/SS0#				
14	VCL								
15	VBATT								
16	NC								
17	TRST#	PF4							
18	MD/FINED								
19	XCIN								
20	XCOUT								
21	RES#								
22	XTAL	P37							
23	VSS								
24	EXTAL	P36							
25	VCC								
26	UPSEL	P35						NMI	
27		P34		MTIOC0A/TMC13/PO12/POE10#	ET0_LINKSTA/SCK6/SCK0			IRQ4	
28		P33	EDREQ1	MTIOC0D/TIOC0D/TMRI3/PO11/POE4#/POE11#	RXD6/SMISO6/SSCL6/RXD0/SMISO0/SSCL0/CRX0	PCKO		IRQ3-DS	
29		P32		MTIOC0C/TIOC0C/TMO3/PO10/RTCIC2/RTCOUT/POE0#/POE10#	TXD6/SMOSI6/SSDA6/TXD0/SMOSI0/SSDA0/CTX0/USB0_VBUSEN	VSYNC		IRQ2-DS	
30	TMS	PF3							

Table 1.6 List of Pin and Pin Functions (176-Pin LQFP) (2/8)

Pin Number	Power Supply Clock System Control	I/O Port	Bus EXDMAC SDRAMC	Timer (MTU, TPU, TMR, PPG, RTC, CMTW, POE, CAC)	Communication (ETHERC, SCI, RSPI, RIIC, CAN, USB)	Memory Interface Camera Interface (QSPI, SDHI, SDSI, MMCIF, PDC)	GLCDC	Interrupt	A/D D/A
31	TDI	PF2			RXD1/SMISO1/SSCL1				
32		P31		MTIOC4D/TMCI2/PO9/RTIC1	CTS1#/RTS1#/SS1#/SSLB0-A			IRQ1-DS	
33		P30		MTIOC4B/TMRI3/PO8/RTIC0/POE8#	RXD1/SMISO1/SSCL1/MISOB-A			IRQ0-DS	
34	TCK	PF1			SCK1				
35	TDO	PF0			TXD1/SMOSI1/SSDA1				
36		P27	CS7#	MTIOC2B/TMCI3/PO7	SCK1/RSPCKB-A				
37		P26	CS6#	MTIOC2A/TMO1/PO6	TXD1/SMOSI1/SSDA1/CTS3#/RTS3#/SS3#/MOSIB-A				
38		P25	CS5#/EDACK1	MTIOC4C/MTCLKB/TIOCA4/PO5	RXD3/SMISO3/SSCL3	SDHI_CD/HSYNC			ADTRG0 #
39	VCC								
40		P24	CS4#/EDREQ1	MTIOC4A/MTCLKA/TIOCB4/TMRI1/PO4	SCK3/USB0_VBUSEN	SDHI_WP/PIXCLK			
41	VSS								
42		P23	EDACK0	MTIOC3D/MTCLKD/TIOCD3/PO3	TXD3/SMOSI3/SSDA3/CTS0#/RTS0#/SS0#	SDHI_D1-C/PIXD7			
43		P22	EDREQ0	MTIOC3B/MTCLKC/TIOCC3/TMO0/PO2	SCK0/USB0_OVRCURB	SDHI_D0-C/PIXD6			
44		P21		MTIOC1B/MTIOC4A/TIOCA3/TMCI0/PO1	RXD0/SMISO0/SSCL0/SCL1/USB0_EXICEN	SDHI_CLK-C/PIXD5		IRQ9	
45		P20		MTIOC1A/TIOCB3/TMRI0/PO0	TXD0/SMOSI0/SSDA0/SDA1/USB0_ID	SDHI_CMD-C/PIXD4		IRQ8	
46		P17		MTIOC3A/MTIOC3B/MTIOC4B/TIOCB0/TCLKD/TMO1/PO15/POE8#	SCK1/TXD3/SMOSI3/SSDA3/SDA2-DS	SDHI_D3-C/PIXD3		IRQ7	ADTRG1 #
47		P87		MTIOC4C/TIOCA2	SMOSI10/SSDA10/TXD10	SDHI_D2-C/PIXD2			
48		P16		MTIOC3C/MTIOC3D/TIOCB1/TCLKC/TMO2/PO14/RTCOUT	TXD1/SMOSI1/SSDA1/RXD3/SMISO3/SSCL3/SCL2-DS/USB0_VBUSEN/USB0_VBUS/USB0_OVRCURB			IRQ6	ADTRG0 #
49		P86		MTIOC4D/TIOCA0	SMISO10/SSCL10/RXD10	PIXD1			

Table 1.6 List of Pin and Pin Functions (176-Pin LQFP) (3/8)

Pin Number	Power Supply Clock System Control	I/O Port	Bus EXDMAC SDRAMC	Timer (MTU, TPU, TMR, PPG, RTC, CMTW, POE, CAC)	Communication (ETHERC, SCI, RSPI, RIIC, CAN, USB)	Memory Interface Camera Interface (QSPI, SDHI, SDSI, MMCIF, PDC)	GLCDC	Interrupt	A/D D/A
50		P15		MTIOC0B/ MTCLKB/ TIOCB2/ TCLKB/TMC12/ PO13	RXD1/SMISO1/ SSCL1/SCK3/ CRX1-DS	PIXD0		IRQ5	
51		P14		MTIOC3A/ MTCLKA/ TIOCB5/ TCLKA/TMRI2/ PO15	CTS1#/RTS1#/ SS1#/CTX1/ USB0_OVRCUR A		LCD_CL K-A	IRQ4	
52		P13	WR2#/BC2#	MTIOC0B/ TIOCA5/TMO3/ PO13	TXD2/SMOSI2/ SSDA2/ SDA0[FM+]		LCD_TC ON0-A	IRQ3	ADTRG1 #
53		P12	WR3#/ BC3#	MTIC5U/ TMC11	RXD2/SMISO2/ SSCL2/ SCL0[FM+]		LCD_TC ON1-A	IRQ2	
54	VCC_USB								
55					USB0_DM				
56					USB0_DP				
57	VSS_USB								
58		PJ2			TXD8/SMOSI8/ SSDA8/SSLC3-B		LCD_TC ON2-A		
59		PJ1		MTIOC6A	RXD8/SMISO8/ SSCL8/SSLC2-B		LCD_TC ON3-A		
60		PJ0		MTIOC6B	SCK8/SSLC1-B		LCD_DA TA0-A		
61		P85		MTIOC6C/ TIOCC0			LCD_DA TA1-A		
62		P84		MTIOC6D			LCD_DA TA2-A		
63		P57			RXD7/SMISO7/ SSCL7/SSLC0-B		LCD_DA TA3-A		
64		P56	EDACK1	MTIOC3C/ TIOCA1	SCK7/RSPCKC- B		LCD_DA TA4-A		
65		P55	D0[A0/D0]/ EDREQ0/ WAIT#	MTIOC4D/ TMO3	ET0_EXOUT/ TXD7/SMOSI7/ SSDA7/MISOC- B/CRX1		LCD_DA TA5-A	IRQ10	
66		P54	D1[A1/D1]/ EDACK0/ ALE	MTIOC4B/ TMC11	ET0_LINKSTA/ CTS2#/RTS2#/ SS2#/MOSIC-B/ CTX1		LCD_DA TA6-A		
67		P11		MTIC5V/TMC13	SCK2		LCD_DA TA7-A	IRQ1	
68		P10	ALE	MTIC5W/ TMRI3				IRQ0	
69		P53*1	BCLK						
70		P52	RD#		RXD2/SMISO2/ SSCL2/SSLB3-A				
71		P51	WR1#/ BC1#/ WAIT#		SCK2/SSLB2-A				

Table 1.6 List of Pin and Pin Functions (176-Pin LQFP) (4/8)

Pin Number	Power Supply Clock System Control	I/O Port	Bus EXDMAC SDRAMC	Timer (MTU, TPU, TMR, PPG, RTC, CMTW, POE, CAC)	Communication (ETHERC, SCI, RSPI, RIIC, CAN, USB)	Memory Interface Camera Interface (QSPI, SDHI, SDSI, MMCIF, PDC)	GLCDC	Interrupt	A/D D/A
72		P50	WR0#/WR#		TXD2/SMOSI2/SSDA2/SSLB1-A				
73	VSS								
74		P83	EDACK1	MTIOC4C	ET0_CRS/RMII0_CRS_DV/SCK10/SS10#/CTS10#		LCD_DA TA8-A		
75	VCC								
76	UB	PC7	A23/CS0#	MTIOC3A/MTCLKB/TMO2/PO31/TOC0/CACREF	ET0_COL/TXD8/SMOSI8/SSDA8/SMOSI10/SSDA10/TXD10/MISOA-A	MMC_D7-A	LCD_DA TA9-A	IRQ14	
77		PC6	D2[A2/D2]/A22/CS1#	MTIOC3C/MTCLKA/TMC12/PO30/TIC0	ET0_ETXD3/RXD8/SMISO8/SSCL8/SMISO10/SSCL10/RXD10/MOSIA-A	MMC_D6-A	LCD_DA TA10-A	IRQ13	
78		PC5	D3[A3/D3]/A21/CS2#/WAIT#	MTIOC3B/MTCLKD/TMRI2/PO29	ET0_ETXD2/SCK8/SCK10/RSPCKA-A	MMC_D5-A	LCD_DA TA11-A		
79		P82	EDREQ1	MTIOC4A/PO28	ET0_ETXD1/RMII0_TXD1/SMOSI10/SSDA10/TXD10	MMC_D4-A	LCD_DA TA12-A		
80		P81	EDACK0	MTIOC3D/PO27	ET0_ETXD0/RMII0_TXD0/SMISO10/SSCL10/RXD10	QIO3-A/SDHI_CD/MMC_D3-A	LCD_DA TA13-A		
81		P80	EDREQ0	MTIOC3B/PO26	ET0_TX_EN/RMII0_TXD_EN/SCK10/RTS10#	QIO2-A/SDHI_WP/MMC_D2-A	LCD_DA TA14-A		
82		PC4	A20/CS3#	MTIOC3D/MTCLKC/TMC11/PO25/POE0#	ET0_TX_CLK/SCK5/CTS8#/RTS8#/SS8#/SS10#/CTS10#/RTS10#/SSLA0-A	QMI-A/QIO1-A/SDHI_D1-A/SDSI_D1-A/MMC_D1-A	LCD_DA TA15-A		
83		PC3	A19	MTIOC4D/TCLKB/PO24	ET0_TX_ER/TXD5/SMOSI5/SSDA5	QMO-A/QIO0-A/SDHI_D0-A/SDSI_D0-A/MMC_D0-A	LCD_DA TA16-A		
84		P77	CS7#	PO23	ET0_RX_ER/RMII0_RX_ER/SMOSI11/SSDA11/TXD11	QSPCLK-A/SDHI_CLK-A/SDSI_CLK-A/MMC_CLK-A	LCD_DA TA17-A		
85		P76	CS6#	PO22	ET0_RX_CLK/REF50CK0/SMISO11/SSCL11/RXD11	QSSL-A/SDHI_CMD-A/SDSI_CMD-A/MMC_CMD-A	LCD_DA TA18-A		
86		PC2	A18	MTIOC4B/TCLKA/PO21	ET0_RX_DV/RXD5/SMISO5/SSCL5/SSLA3-A	SDHI_D3-A/SDSI_D3-A/MMC_CD-A	LCD_DA TA19-A		
87		P75	CS5#	PO20	ET0_ERXD0/RMII0_RXD0/SCK11/RTS11#	SDHI_D2-A/SDSI_D2-A/MMC_RES#-A	LCD_DA TA20-A		
88		P74	A20/CS4#	PO19	ET0_ERXD1/RMII0_RXD1/SS11#/CTS11#		LCD_DA TA21-A		
89		PC1	A17	MTIOC3A/TCLKD/PO18	ET0_ERXD2/SCK5/SSLA2-A		LCD_DA TA22-A	IRQ12	
90	VCC								



Table 1.6 List of Pin and Pin Functions (176-Pin LQFP) (5/8)

Pin Number	Power Supply Clock System Control	I/O Port	Bus EXDMAC SDRAMC	Timer (MTU, TPU, TMR, PPG, RTC, CMTW, POE, CAC)	Communication (ETHERC, SCI, RSPI, RIIC, CAN, USB)	Memory Interface Camera Interface (QSPI, SDHI, SDSI, MMCIF, PDC)	GLCDC	Interrupt	A/D D/A
91		PC0	A16	MTIOC3C/ TCLKC/PO17	ET0_ERXD3/ CTS5#/RTS5#/ SS5#/SSLA1-A			IRQ14	
92	VSS								
93		P73	CS3#	PO16	ET0_WOL		LCD_EX TCLK-A		
94		PB7	A15	MTIOC3B/ TIOCB5/PO31	ET0_CRS/ RMII0_CRS_DV/ TXD9/SMOSI9/ SSDA9/ SMOSI11/ SSDA11/TXD11	SDSI_D1-B			
95		PB6	A14	MTIOC3D/ TIOCA5/PO30	ET0_ETXD1/ RMII0_TXD1/ RXD9/SMISO9/ SSCL9/ SMISO11/ SSCL11/RXD11	SDSI_D0-B			
96		PB5	A13	MTIOC2A/ MTIOC1B/ TIOCB4/ TMRI1/PO29/ POE4#	ET0_ETXD0/ RMII0_TXD0/ SCK9/SCK11	SDSI_CLK-B	LCD_CL K-B		
97		PB4	A12	TIOCA4/PO28	ET0_TX_EN/ RMII0_TXD_EN/ CTS9#/RTS9#/ SS9#/SS11#/ CTS11#/RTS11#	SDSI_CMD-B	LCD_TC ON0-B		
98		PB3	A11	MTIOC0A/ MTIOC4A/ TIOCD3/ TCLKD/TMO0/ PO27/POE11#	ET0_RX_ER/ RMII0_RX_ER/ SCK4/SCK6	SDSI_D3-B	LCD_TC ON1-B		
99		PB2	A10	TIOCC3/ TCLKC/PO26	ET0_RX_CLK/ REF50CK0/ CTS4#/RTS4#/ SS4#/CTS6#/ RTS6#/SS6#	SDSI_D2-B	LCD_TC ON2-B		
100		PB1	A9	MTIOC0C/ MTIOC4C/ TIOCB3/ TMCI0/PO25	ET0_ERXD0/ RMII0_RXD0/ TXD4/SMOSI4/ SSDA4/TXD6/ SMOSI6/SSDA6		LCD_TC ON3-B	IRQ4-DS	
101		P72	A19/CS2#		ET0_MDC		LCD_DA TA23-A		
102		P71	A18/CS1#		ET0_MDIO				
103	VCC								
104		PB0	A8	MTIC5W/ TIOCA3/PO24	ET0_ERXD1/ RMII0_RXD1/ RXD4/SMISO4/ SSCL4/RXD6/ SMISO6/SSCL6		LCD_DA TA0-B	IRQ12	
105	VSS								
106		PA7	A7	TIOCB2/PO23	ET0_WOL/ MISOA-B		LCD_DA TA1-B		
107		PA6	A6	MTIC5V/ MTCLKB/ TIOCA2/ TMCI3/PO22/ POE10#	ET0_EXOUT/ CTS5#/RTS5#/ SS5#/MOSIA-B		LCD_DA TA2-B		

Table 1.6 List of Pin and Pin Functions (176-Pin LQFP) (6/8)

Pin Number	Power Supply Clock System Control	I/O Port	Bus EXDMAC SDRAMC	Timer (MTU, TPU, TMR, PPG, RTC, CMTW, POE, CAC)	Communication (ETHERC, SCI, RSPI, RIIC, CAN, USB)	Memory Interface Camera Interface (QSPI, SDHI, SDSI, MMCIF, PDC)	GLCDC	Interrupt	A/D D/A
108		PA5	A5	MTIOC6B/ TIOCB1/PO21	ET0_LINKSTA/ RSPCKA-B		LCD_DA TA3-B		
109		PA4	A4	MTIC5U/ MTCLKA/ TIOCA1/ TMRI0/PO20	ET0_MDC/TXD5/ SMOSI5/SSDA5/ SSLA0-B		LCD_DA TA4-B	IRQ5-DS	
110		PA3	A3	MTIOC0D/ MTCLKD/ TIOCD0/ TCLKB/PO19	ET0_MDIO/ RXD5/SMISO5/ SSCL5		LCD_DA TA5-B	IRQ6-DS	
111	TRDATA3	PG7	D31						
112		PA2	A2	MTIOC7A/ PO18	RXD5/SMISO5/ SSCL5/SSLA3-B		LCD_DA TA6-B		
113	TRDATA2	PG6	D30						
114		PA1	DQM3/A1	MTIOC0B/ MTCLKC/ MTIOC7B/ TIOCB0/PO17	ET0_WOL/ SCK5/SSLA2-B		LCD_DA TA7-B	IRQ11	
115	VCC								
116	TRCLK	PG5	D29						
117	VSS								
118		PA0	DQM2/ BC0#/A0	MTIOC4A/ MTIOC6D/ TIOCA0/PO16/ CACREF	ET0_TX_EN/ RMII0_TXD_EN/ SSLA1-B		LCD_DA TA8-B		
119	TRSYNC	PG4	D28						
120		P67	DQM1/CS7#	MTIOC7C				IRQ15	
121	TRDATA1	PG3	D27						
122		P66	DQM0/CS6#	MTIOC7D					
123	TRDATA0	PG2	D26						
124		P65	CKE/CS5#						
125		PE7	D15[A15/ D15]/D7[A7/ D7]	MTIOC6A/ TOC1	MISOB-B	SDHI_WP/ MMC_RES#-B	LCD_DA TA9-B	IRQ7	AN105
126		PE6	D14[A14/ D14]/D6[A6/ D6]	MTIOC6C/TIC1	MOSIB-B	SDHI_CD/ MMC_CD-B	LCD_DA TA10-B	IRQ6	AN104
127	VCC								
128		P70	SDCLK						
129	VSS								
130		PE5	D13[A13/ D13]/D5[A5/ D5]	MTIOC4C/ MTIOC2B	ET0_RX_CLK/ REF50CK0/ RSPCKB-B		LCD_DA TA11-B	IRQ5	AN103
131		PE4	D12[A12/ D12]/D4[A4/ D4]	MTIOC4D/ MTIOC1A/ PO28	ET0_ERXD2/ SSLB0-B		LCD_DA TA12-B		AN102
132		PE3	D11[A11/ D11]/D3[A3/ D3]	MTIOC4B/ PO26/TOC3/ POE8#	ET0_ERXD3/ CTS12#/ RTS12#/SS12#	MMC_D7-B	LCD_DA TA13-B		AN101
133		PE2	D10[A10/ D10]/D2[A2/ D2]	MTIOC4A/ PO23/TIC3	RXD12/ SMISO12/ SSCL12/ RXDX12/SSLB3- B	MMC_D6-B	LCD_DA TA14-B	IRQ7-DS	AN100

Table 1.6 List of Pin and Pin Functions (176-Pin LQFP) (7/8)

Pin Number	Power Supply Clock System Control	I/O Port	Bus EXDMAC SDRAMC	Timer (MTU, TPU, TMR, PPG, RTC, CMTW, POE, CAC)	Communication (ETHERC, SCI, RSPI, RIIC, CAN, USB)	Memory Interface Camera Interface (QSPI, SDHI, SDSI, MMCIF, PDC)	GLCDC	Interrupt	A/D D/A
134		PE1	D9[A9/D9]/D1[A1/D1]	MTIOC4C/MTIOC3B/PO18	TXD12/SMOS12/SSDA12/TXDX12/SIOX12/SSLB2-B	MMC_D5-B	LCD_DA TA15-B		ANEX1
135		PE0	D8[A8/D8]/D0[A0/D0]	MTIOC3D	SCK12/SSLB1-B	MMC_D4-B	LCD_DA TA16-B		ANEX0
136		P64	WE#/D3[A3/D3]/CS4#						
137		P63	CAS#/D2[A2/D2]/CS3#						
138		P62	RAS#/D1[A1/D1]/CS2#						
139		P61	SDCS#/D0[A0/D0]/CS1#						
140	VSS								
141		P60	CS0#						
142	VCC								
143		PD7	D7[A7/D7]	MTIC5U/POE0#	SSLC3-A	QMI-B/QIO1-B/SDHI_D1-B/MMC_D1-B	LCD_DA TA17-B	IRQ7	AN107
144	TRDATA7	PG1	D25						
145		PD6	D6[A6/D6]	MTIC5V/MTIOC8A/POE4#	SSLC2-A	QMO-B/QIO0-B/SDHI_D0-B/MMC_D0-B	LCD_DA TA18-B	IRQ6	AN106
146	TRDATA6	PG0	D24						
147		PD5	D5[A5/D5]	MTIC5W/MTIOC8C/POE10#	SSLC1-A	QSPCLK-B/SDHI_CLK-B/MMC_CLK-B	LCD_DA TA19-B	IRQ5	AN113
148		PD4	D4[A4/D4]	MTIOC8B/POE11#	SSLC0-A	QSSL-B/SDHI_CMD-B/MMC_CMD-B	LCD_DA TA20-B	IRQ4	AN112
149	TRSYNC1	P97	D23/A23						
150		PD3	D3[A3/D3]	MTIOC8D/TOC2/POE8#	RSPCKC-A	QIO3-B/SDHI_D3-B/MMC_D3-B	LCD_DA TA21-B	IRQ3	AN111
151	VSS								
152	TRDATA5	P96	D22/A22						
153	VCC								
154		PD2	D2[A2/D2]	MTIOC4D/TIC2	MISOC-A/CRX0	QIO2-B/SDHI_D2-B/MMC_D2-B	LCD_DA TA22-B	IRQ2	AN110
155	TRDATA4	P95	D21/A21						
156		PD1	D1[A1/D1]	MTIOC4B/POE0#	MOSIC-A/CTX0		LCD_DA TA23-B	IRQ1	AN109
157		P94	D20/A20						
158		PD0	D0[A0/D0]	POE4#			LCD_EX TCLK-B	IRQ0	AN108
159		P93	D19/A19	POE0#	CTS7#/RTS7#/SS7#				AN117

**Table 1.6 List of Pin and Pin Functions (176-Pin LQFP) (8/8)**

Pin Number	Power Supply Clock System Control	I/O Port	Bus EXDMAC SDRAMC	Timer (MTU, TPU, TMR, PPG, RTC, CMTW, POE, CAC)	Communication (ETHERC, SCI, RSPI, RIIC, CAN, USB)	Memory Interface Camera Interface (QSPI, SDHI, SDSI, MMCIF, PDC)	GLCDC	Interrupt	A/D D/A
160		P92	D18/A18	POE4#	RXD7/SMISO7/ SSCL7				AN116
161		P91	D17/A17		SCK7				AN115
162	VSS								
163		P90	D16/A16		TXD7/SMOSI7/ SSDA7				AN114
164	VCC								
165		P47						IRQ15- DS	AN007
166		P46						IRQ14- DS	AN006
167		P45						IRQ13- DS	AN005
168		P44						IRQ12- DS	AN004
169		P43						IRQ11- DS	AN003
170		P42						IRQ10- DS	AN002
171		P41						IRQ9-DS	AN001
172	VREFL0								
173		P40						IRQ8-DS	AN000
174	VREFH0								
175	AVCC0								
176		P07						IRQ15	ADTRG0 #

Note 1. P53 is multiplexed with the BCLK pin function, so cannot be used as an I/O port pin when the external bus is enabled.

## 1.6.3 145-Pin TFLGA

Table 1.7 List of Pin and Pin Functions (145-Pin TFLGA) (1/7)

Pin Number	Power Supply Clock System Control	I/O Port	Bus EXDMAC SDRAMC	Timer (MTU, TPU, TMR, PPG, RTC, CMTW, POE, CAC)	Communication (ETHERC, SCI, RSPI, RIIC, CAN, USB)	Memory Interface Camera Interface (QSPI, SDHI, SDSI, MMCIF, PDC)	GLCDC	Interrupt	A/D D/A
A1	AVSS0								
A2		P07						IRQ15	ADTRG0 #
A3		P40						IRQ8-DS	AN000
A4		P42						IRQ10-DS	AN002
A5		P45						IRQ13-DS	AN005
A6		P90	A16		TXD7/SMOSI7/SSDA7				AN114
A7		P92	A18	POE4#	RXD7/SMISO7/SSCL7				AN116
A8		PD2	D2[A2/D2]	MTIOC4D/TIC2	MISOC-A/CRX0	QIO2-B/SDHI_D2-B/MMC_D2-B	LCD_DA TA22-B*1	IRQ2	AN110
A9		PD6	D6[A6/D6]	MTIC5V/MTIOC8A/POE4#	SSLC2-A	QMO-B/QIO0-B/SDHI_D0-B/MMC_D0-B	LCD_DA TA18-B*1	IRQ6	AN106
A10	VSS								
A11		P62	RAS#/ D1[A1/D1]*1/ CS2#						
A12		PE1	D9[A9/D9]/ D1[A1/D1]*1	MTIOC4C/ MTIOC3B/ PO18	TXD12/ SMOSI12/ SSDA12/ TXDX12/ SIOX12/SSLB2-B	MMC_D5-B	LCD_DA TA15-B*1		ANEX1
A13		PE3	D11[A11/ D11]/D3[A3/ D3]*1	MTIOC4B/ PO26/TOC3/ POE8#	ET0_ERXD3/ CTS12#/ RTS12#/SS12#	MMC_D7-B	LCD_DA TA13-B*1		AN101
B1	AVCC1								
B2	AVCC0								
B3		P05						IRQ13	DA1
B4	VREFL0								
B5		P43						IRQ11-DS	AN003
B6		P47						IRQ15-DS	AN007
B7		P91	A17		SCK7				AN115
B8		PD0	D0[A0/D0]	POE4#			LCD_EX TCLK-B *1	IRQ0	AN108
B9		PD4	D4[A4/D4]	MTIOC8B/ POE11#	SSLC0-A	QSSL-B/ SDHI_CMD-B/ MMC_CMD-B	LCD_DA TA20-B*1	IRQ4	AN112
B10	VCC								
B11		P61	SDCS#/ D0[A0/D0]*1/ CS1#						
B12		PE2	D10[A10/ D10]/D2[A2/ D2]*1	MTIOC4A/ PO23/TIC3	RXD12/ SMISO12/ SSCL12/ RXDX12/SSLB3-B	MMC_D6-B	LCD_DA TA14-B*1	IRQ7-DS	AN100

Table 1.7 List of Pin and Pin Functions (145-Pin TFLGA) (2/7)

Pin Number	Power Supply Clock System Control	I/O Port	Bus EXDMAC SDRAMC	Timer (MTU, TPU, TMR, PPG, RTC, CMTW, POE, CAC)	Communication (ETHERC, SCI, RSPI, RIIC, CAN, USB)	Memory Interface Camera Interface (QSPI, SDHI, SDSI, MMCIF, PDC)	GLCDC	Interrupt	A/D D/A
B13		PE4	D12[A12/D12]/D4[A4/D4]*1	MTIOC4D/MTIOC1A/PO28	ET0_ERXD2/SSLB0-B		LCD_DA TA12-B*1		AN102
C1	AVSS1								
C2		P02		TMCI1	SCK6			IRQ10	AN120
C3	VREFH0								
C4		P41						IRQ9-DS	AN001
C5		P46						IRQ14-DS	AN006
C6	VSS								
C7		PD1	D1[A1/D1]	MTIOC4B/POE0#	MOSIC-A/CTX0		LCD_DA TA23-B*1	IRQ1	AN109
C8		PD3	D3[A3/D3]	MTIOC8D/TOC2/POE8#	RSPCKC-A	QIO3-B/SDHI_D3-B/MMC_D3-B	LCD_DA TA21-B*1	IRQ3	AN111
C9		PD7	D7[A7/D7]	MTIC5U/POE0#	SSLC3-A	QMI-B/QIO1-B/SDHI_D1-B/MMC_D1-B	LCD_DA TA17-B*1	IRQ7	AN107
C10		P63	CAS#/D2[A2/D2]*1/CS3#						
C11		PE0	D8[A8/D8]/D0[A0/D0]*1	MTIOC3D	SCK12/SSLB1-B	MMC_D4-B	LCD_DA TA16-B*1		ANEX0
C12		P70	SDCLK						
C13	VSS								
D1		P00		TMRI0	TXD6/SMOSI6/SSDA6			IRQ8	AN118
D2		PF5						IRQ4	
D3		P03						IRQ11	DA0
D4		P01		TMCI0	RXD6/SMISO6/SSCL6			IRQ9	AN119
D5	VCC								
D6		P93	A19	POE0#	CTS7#/RTS7#/SS7#				AN117
D7		PD5	D5[A5/D5]	MTIC5W/MTIOC8C/POE10#	SSLC1-A	QSPCLK-B/SDHI_CLK-B/MMC_CLK-B	LCD_DA TA19-B*1	IRQ5	AN113
D8		P60	CS0#						
D9		P64	WE#/D3[A3/D3]*1/CS4#						
D10		PE7	D15[A15/D15]/D7[A7/D7]*1	MTIOC6A/TOC1	MISOB-B	SDHI_WP/MMC_RES#-B	LCD_DA TA9-B*1	IRQ7	AN105
D11	VCC								
D12		PE5	D13[A13/D13]/D5[A5/D5]*1	MTIOC4C/MTIOC2B	ET0_RX_CLK/REF50CK0/RSPCKB-B		LCD_DA TA11-B*1	IRQ5	AN103
D13		PE6	D14[A14/D14]/D6[A6/D6]*1	MTIOC6C/TIC1	MOSIB-B	SDHI_CD/MMC_CD-B	LCD_DA TA10-B*1	IRQ6	AN104
E1	VSS								
E2	VCL								
E3		PJ5		POE8#	CTS2#/RTS2#/SS2#				

Table 1.7 List of Pin and Pin Functions (145-Pin TFLGA) (3/7)

Pin Number	Power Supply Clock System Control	I/O Port	Bus EXDMAC SDRAMC	Timer (MTU, TPU, TMR, PPG, RTC, CMTW, POE, CAC)	Communication (ETHERC, SCI, RSPI, RIIC, CAN, USB)	Memory Interface Camera Interface (QSPI, SDHI, SDSI, MMCIF, PDC)	GLCDC	Interrupt	A/D D/A
E4	EMLE								
E5		P44						IRQ12-DS	AN004
E10		PA0	BC0#/A0	MTIOC4A/ MTIOC6D/ TIOCA0/PO16/ CACREF	ET0_TX_EN/ RMII0_TXD_EN/ SSLA1-B		LCD_DA TA8-B*1		
E11		P66	DQM0/CS6#	MTIOC7D					
E12		P65	CKE/CS5#						
E13		P67	DQM1/CS7#	MTIOC7C				IRQ15	
F1	XCIN								
F2	XCOUT								
F3		PJ3	EDACK1	MTIOC3C	ET0_EXOUT/ CTS6#/RTS6#/ SS6#/CTS0#/ RTS0#/SS0#				
F4	VBATT								
F10		PA3	A3	MTIOC0D/ MTCLKD/ TIOC0D/ TCLKB/PO19	ET0_MDIO/ RXD5/SMISO5/ SSCL5		LCD_DA TA5-B*1	IRQ6-DS	
F11	VSS								
F12		PA1	A1	MTIOC0B/ MTCLKC/ MTIOC7B/ TIOCB0/PO17	ET0_WOL/ SCK5/SSLA2-B		LCD_DA TA7-B*1	IRQ11	
F13		PA2	A2	MTIOC7A/ PO18	RXD5/SMISO5/ SSCL5/SSLA3-B		LCD_DA TA6-B*1		
G1	XTAL	P37							
G2	RES#								
G3	MD/FINED								
G4	BSCANP								
G10		PA5	A5	MTIOC6B/ TIOC81/PO21	ET0_LINKSTA/ RSPCKA-B		LCD_DA TA3-B*1		
G11		PA6	A6	MTIC5V/ MTCLKB/ TIOCA2/ TMCI3/PO22/ POE10#	ET0_EXOUT/ CTS5#/RTS5#/ SS5#/MOSIA-B		LCD_DA TA2-B*1		
G12	VCC								
G13		PA4	A4	MTIC5U/ MTCLKA/ TIOCA1/ TMRI0/PO20	ET0_MDC/TXD5/ SMOSI5/SSDA5/ SSLA0-B		LCD_DA TA4-B*1	IRQ5-DS	
H1	EXTAL	P36							
H2	VCC								
H3	VSS								
H4	UPSEL	P35						NMI	
H10		P72	A19/CS2#		ET0_MDC				
H11		P71	A18/CS1#		ET0_MDIO				

Table 1.7 List of Pin and Pin Functions (145-Pin TFLGA) (4/7)

Pin Number	Power Supply Clock System Control	I/O Port	Bus EXDMAC SDRAMC	Timer (MTU, TPU, TMR, PPG, RTC, CMTW, POE, CAC)	Communication (ETHERC, SCI, RSPI, RIIC, CAN, USB)	Memory Interface Camera Interface (QSPI, SDHI, SDSDI, MMCIF, PDC)	GLCDC	Interrupt	A/D D/A
H12		PB0	A8	MTIC5W/ TIOCA3/PO24	ET0_ERXD1/ RMII0_RXD1/ RXD4/SMISO4/ SSCL4/RXD6/ SMISO6/SSCL6		LCD_DA TA0-B*1	IRQ12	
H13		PA7	A7	TIOCB2/PO23	ET0_WOL/ MIS0A-B		LCD_DA TA1-B*1		
J1	TRST#	P34		MTIOC0A/ TMCI3/PO12/ POE10#	ET0_LINKSTA/ SCK6/SCK0			IRQ4	
J2		P33	EDREQ1	MTIOC0D/ TIOCD0/ TMRI3/PO11/ POE4#/ POE11#	RXD6/SMISO6/ SSCL6/RXD0/ SMISO0/SSCL0/ CRX0	PCKO		IRQ3-DS	
J3		P32		MTIOC0C/ TIOCC0/ TMO3/PO10/ RTCIC2/ RTCOUT/ POE0#/ POE10#	TXD6/SMOSI6/ SSDA6/TXD0/ SMOSI0/SSDA0/ CTX0/ USB0_VBUSEN	VSYNC		IRQ2-DS	
J4	TDI	P30		MTIOC4B/ TMRI3/PO8/ RTCIC0/ POE8#	RXD1/SMISO1/ SSCL1/MISOB-A			IRQ0-DS	
J10		PB3	A11	MTIOC0A/ MTIOC4A/ TIOCD3/ TCLKD/TMO0/ PO27/POE11#	ET0_RX_ER/ RMII0_RX_ER/ SCK4/SCK6	SDSI_D3-B	LCD_TC ON1-B*1		
J11		PB4	A12	TIOCA4/PO28	ET0_TX_EN/ RMII0_TXD_EN/ CTS9#/RTS9#/ SS9#/SS11#/ CTS11#/RTS11#	SDSI_CMD-B	LCD_TC ON0-B*1		
J12		PB2	A10	TIOCC3/ TCLKC/PO26	ET0_RX_CLK/ REF50CK0/ CTS4#/RTS4#/ SS4#/CTS6#/ RTS6#/SS6#	SDSI_D2-B	LCD_TC ON2-B*1		
J13		PB1	A9	MTIOC0C/ MTIOC4C/ TIOCB3/ TMCI0/PO25	ET0_ERXD0/ RMII0_RXD0/ TXD4/SMOSI4/ SSDA4/TXD6/ SMOSI6/SSDA6		LCD_TC ON3-B*1	IRQ4-DS	
K1	TCK	P27	CS7#	MTIOC2B/ TMCI3/PO7	SCK1/RSPCKB-A				
K2	TDO	P26	CS6#	MTIOC2A/ TMO1/PO6	TXD1/SMOSI1/ SSDA1/CTS3#/ RTS3#/SS3#/ MOSIB-A				
K3	TMS	P31		MTIOC4D/ TMCI2/PO9/ RTCIC1	CTS1#/RTS1#/ SS1#/SSLB0-A			IRQ1-DS	
K4		P15		MTIOC0B/ MTCLKB/ TIOCB2/ TCLKB/TMCI2/ PO13	RXD1/SMISO1/ SSCL1/SCK3/ CRX1-DS	PIXD0		IRQ5	
K5	TRDATA2	P54	ALE/ D1[A1/D1]*1/ EDACK0	MTIOC4B/ TMCI1	ET0_LINKSTA/ CTS2#/RTS2#/ SS2#/CTX1				
K6		P53*2	BCLK						



Table 1.7 List of Pin and Pin Functions (145-Pin TFLGA) (5/7)

Pin Number	Power Supply Clock System Control	I/O Port	Bus EXDMAC SDRAMC	Timer (MTU, TPU, TMR, PPG, RTC, CMTW, POE, CAC)	Communication (ETHERC, SCI, RSPI, RIIC, CAN, USB)	Memory Interface Camera Interface (QSPI, SDHI, SDSI, MMCIF, PDC)	GLCDC	Interrupt	A/D D/A
K7		P51	WR1#/ BC1#/ WAIT#		SCK2/SSLB2-A				
K8	VCC								
K9	TRDATA0	P80	EDREQ0	MTIOC3B/ PO26	ET0_TX_EN/ RMII0_TXD_EN/ SCK10/RTS10#	QIO2-A/SDHI_WP/ MMC_D2-A			
K10	TRDATA6	P76	CS6#	PO22	ET0_RX_CLK/ REF50CK0/ SMISO11/ SSCL11/RXD11	QSSL-A/ SDHI_CMD-A/ SDSI_CMD-A/ MMC_CMD-A			
K11		PB7	A15	MTIOC3B/ TIOCB5/PO31	ET0_CRS/ RMII0_CRS_DV/ TXD9/SMOSI9/ SSDA9/ SMOSI11/ SSDA11/TXD11	SDSI_D1-B			
K12		PB6	A14	MTIOC3D/ TIOCA5/PO30	ET0_ETXD1/ RMII0_TXD1/ RXD9/SMISO9/ SSCL9/ SMISO11/ SSCL11/RXD11	SDSI_D0-B			
K13		PB5	A13	MTIOC2A/ MTIOC1B/ TIOCB4/ TMRI1/PO29/ POE4#	ET0_ETXD0/ RMII0_TXD0/ SCK9/SCK11	SDSI_CLK-B	LCD_CL K-B*1		
L1		P25	CS5#/ EDACK1	MTIOC4C/ MTCLKB/ TIOCA4/PO5	RXD3/SMISO3/ SSCL3	SDHI_CD*1/ HSYNC			ADTRG0 #
L2		P23	EDACK0	MTIOC3D/ MTCLKD/ TIOCD3/PO3	TXD3/SMOSI3/ SSDA3/CTS0#/ RTS0#SS0#	SDHI_D1-C*1/ PIXD7			
L3		P16		MTIOC3C/ MTIOC3D/ TIOCB1/ TCLKC/TMO2/ PO14/RTCOU	TXD1/SMOSI1/ SSDA1/RXD3/ SMISO3/SSCL3/ SCL2-DS/ USB0_VBUSEN/ USB0_VBUS/ USB0_OVRCUR B		IRQ6	ADTRG0 #	
L4		P24	CS4#/ EDREQ1	MTIOC4A/ MTCLKA/ TIOCB4/ TMRI1/PO4	SCK3/ USB0_VBUSEN	SDHI_WP*1/ PIXCLK			
L5		P13		MTIOC0B/ TIOCA5/TMO3/ PO13	TXD2/SMOSI2/ SSDA2/ SDA0[FM+]		IRQ3	ADTRG1 #	
L6		P56	EDACK1	MTIOC3C/ TIOCA1	SCK7*1				
L7		P52	RD#		RXD2/SMISO2/ SSCL2/SSLB3-A				
L8	TRCLK	P83	EDACK1	MTIOC4C	ET0_CRS/ RMII0_CRS_DV/ SCK10/SS10#/ CTS10#				
L9		PC5	D3[A3/D3]*1/ A21/CS2#/ WAIT#	MTIOC3B/ MTCLKD/ TMRI2/PO29	ET0_ETXD2/ SCK8/SCK10/ RSPCKA-A	MMC_D5-A			
L10		PC4	A20/CS3#	MTIOC3D/ MTCLKC/ TMCI1/PO25/ POE0#	ET0_TX_CLK/ SCK5/CTS8#/ RTS8#SS8#/ SS10#CTS10#/ RTS10#SSLA0- A	QMI-A/QIO1-A/ SDHI_D1-A/ SDSI_D1-A/ MMC_D1-A			

Table 1.7 List of Pin and Pin Functions (145-Pin TFLGA) (6/7)

Pin Number	Power Supply Clock System Control	I/O Port	Bus EXDMAC SDRAMC	Timer (MTU, TPU, TMR, PPG, RTC, CMTW, POE, CAC)	Communication (ETHERC, SCI, RSPI, RIIC, CAN, USB)	Memory Interface Camera Interface (QSPI, SDHI, SDSI, MMCIF, PDC)	GLCDC	Interrupt	A/D D/A
L11		PC2	A18	MTIOC4B/ TCLKA/PO21	ET0_RX_DV/ RXD5/SMISO5/ SSCL5/SSLA3-A	SDHI_D3-A/ SDSI_D3-A/ MMC_CD-A			
L12	TRDATA4	P73	CS3#	PO16	ET0_WOL				
L13	VSS								
M1		P22	EDREQ0	MTIOC3B/ MTCLKC/ TIOCC3/ TMO0/PO2	SCK0/ USB0_OVRCUR B	SDHI_D0-C*1/ PIXD6			
M2		P17		MTIOC3A/ MTIOC3B/ MTIOC4B/ TIOCB0/ TCLKD/TMO1/ PO15/POE8#	SCK1/TXD3/ SMOSI3/SSDA3/ SDA2-DS	SDHI_D3-C*1/ PIXD3		IRQ7	ADTRG1 #
M3		P86		MTIOC4D/ TIOCA0	SMISO10/ SSCL10/RXD10	PIXD1			
M4		P12		TMC11	RXD2/SMISO2/ SSCL2/ SCL0[FM+]			IRQ2	
M5	VCC_USB								
M6	VSS_USB								
M7		P50	WR0#/WR#		TXD2/SMOSI2/ SSDA2/SSLB1-A				
M8		PC6	D2[A2/D2]*1/ A22/CS1#	MTIOC3C/ MTCLKA/ TMC12/PO30/ TIC0	ET0_ETXD3/ RXD8/SMISO8/ SSCL8/ SMISO10/ SSCL10/RXD10/ MOSIA-A	MMC_D6-A		IRQ13	
M9	TRDATA1	P81	EDACK0	MTIOC3D/ PO27	ET0_ETXD0/ RMII0_TXD0/ SMISO10/ SSCL10/RXD10	QIO3-A/SDHI_CD/ MMC_D3-A			
M10	TRDATA7	P77	CS7#	PO23	ET0_RX_ER/ RMII0_RX_ER/ SMOSI11/ SSDA11/TXD11	QSPCLK-A/ SDHI_CLK-A/ SDSI_CLK-A/ MMC_CLK-A			
M11		PC0	A16	MTIOC3C/ TCLKC/PO17	ET0_ERXD3/ CTS5#/RTS5#/ SS5#/SSLA1-A			IRQ14	
M12		PC1	A17	MTIOC3A/ TCLKD/PO18	ET0_ERXD2/ SCK5/SSLA2-A			IRQ12	
M13	VCC								
N1		P21		MTIOC1B/ MTIOC4A/ TIOCA3/ TMC10/PO1	RXD0/SMISO0/ SSCL0/SCL1*1/ USB0_EXICEN	SDHI_CLK-C*1/ PIXD5		IRQ9	
N2		P20		MTIOC1A/ TIOCB3/ TMRI0/PO0	TXD0/SMOSI0/ SSDA0/SDA1*1/ USB0_ID	SDHI_CMD-C*1/ PIXD4		IRQ8	
N3		P87		MTIOC4C/ TIOCA2	SMOSI10/ SSDA10/TXD10	SDHI_D2-C*1/ PIXD2			
N4		P14		MTIOC3A/ MTCLKA/ TIOCB5/ TCLKA/TMRI2/ PO15	CTS1#/RTS1#/ SS1#/CTX1/ USB0_OVRCUR A			IRQ4	
N5					USB0_DM				
N6					USB0_DP				

**Table 1.7 List of Pin and Pin Functions (145-Pin TFLGA) (7/7)**

Pin Number	Power Supply Clock System Control	I/O Port	Bus EXDMAC SDRAMC	Timer (MTU, TPU, TMR, PPG, RTC, CMTW, POE, CAC)	Communication (ETHERC, SCI, RSPI, RIIC, CAN, USB)	Memory Interface Camera Interface (QSPI, SDHI, SDSI, MMCIF, PDC)	GLCDC	Interrupt	A/D D/A
N7	TRDATA3	P55	D0[A0/D0]*1/ WAIT#/ EDREQ0	MTIOC4D/ TMO3	ET0_EXOUT/ TXD7*1/ SMOSI7*1/ SSDA7*1/CRX1			IRQ10	
N8	VSS								
N9	UB	PC7	A23/CS0#	MTIOC3A/ MTCLKB/ TMO2/PO31/ TOC0/ CACREF	ET0_COL/TXD8/ SMOSI8/SSDA8/ SMOSI10/ SSDA10/TXD10/ MISOA-A	MMC_D7-A		IRQ14	
N10	TRSYNC	P82	EDREQ1	MTIOC4A/ PO28	ET0_ETXD1/ RMII0_TXD1/ SMOSI10/ SSDA10/TXD10	MMC_D4-A			
N11		PC3	A19	MTIOC4D/ TCLKB/PO24	ET0_TX_ER/ TXD5/SMOSI5/ SSDA5	QMO-A/QIO0-A/ SDHI_D0-A/ SDSI_D0-A/ MMC_D0-A			
N12	TRSYNC1	P75	CS5#	PO20	ET0_ERXD0/ RMII0_RXD0/ SCK11/RTS11#	SDHI_D2-A/ SDSI_D2-A/ MMC_RES#-A			
N13	TRDATA5	P74	A20/CS4#	PO19	ET0_ERXD1/ RMII0_RXD1/ SS11#/CTS11#				

Note 1. These pins are only enabled for products with 2 or 1.5 Mbytes of code flash memory.

Note 2. P53 is multiplexed with the BCLK pin function, so cannot be used as an I/O port pin when the external bus is enabled.

## 1.6.4 144-Pin LFQFP

Table 1.8 List of Pin and Pin Functions (144-Pin LFQFP) (1/7)

Pin Number	Power Supply Clock System Control	I/O Port	Bus EXDMAC SDRAMC	Timer (MTU, TPU, TMR, PPG, RTC, CMTW, POE, CAC)	Communication (ETHERC, SCI, RSPI, RIIC, CAN, USB)	Memory Interface Camera Interface (QSPI, SDHI, SDSI, MMCIF, PDC)	GLCDC	Interrupt	A/D D/A
1	AVSS0								
2		P05						IRQ13	DA1
3	AVCC1								
4		P03						IRQ11	DA0
5	AVSS1								
6		P02		TMCI1	SCK6			IRQ10	AN120
7		P01		TMCI0	RXD6/SMISO6/SSCL6			IRQ9	AN119
8		P00		TMRI0	TXD6/SMOSI6/SSDA6			IRQ8	AN118
9		PF5						IRQ4	
10	EMLE								
11		PJ5		POE8#	CTS2#/RTS2#/SS2#				
12	VSS								
13		PJ3	EDACK1	MTIOC3C	ET0_EXOUT/CTS6#/RTS6#/SS6#/CTS0#/RTS0#/SS0#				
14	VCL								
15	VBATT								
16	MD/FINED								
17	XCIN								
18	XCOUT								
19	RES#								
20	XTAL	P37							
21	VSS								
22	EXTAL	P36							
23	VCC								
24	UPSEL	P35							NMI
25	TRST#	P34		MTIOC0A/TMCI3/PO12/POE10#	ET0_LINKSTA/SCK6/SCK0				IRQ4
26		P33	EDREQ1	MTIOC0D/TIOC0D/TMRI3/PO11/POE4#/POE11#	RXD6/SMISO6/SSCL6/RXD0/SMISO0/SSCL0/CRX0	PCKO			IRQ3-DS
27		P32		MTIOC0C/TIOC0C/TMO3/PO10/RTCIC2/RTCOUT/POE0#/POE10#	TXD6/SMOSI6/SSDA6/TXD0/SMOSI0/SSDA0/CTX0/USB0_VBUSEN	VSYN			IRQ2-DS
28	TMS	P31		MTIOC4D/TMCI2/PO9/RTCIC1	CTS1#/RTS1#/SS1#/SSLB0-A				IRQ1-DS

Table 1.8 List of Pin and Pin Functions (144-Pin LQFP) (2/7)

Pin Number	Power Supply Clock System Control	I/O Port	Bus EXDMAC SDRAMC	Timer (MTU, TPU, TMR, PPG, RTC, CMTW, POE, CAC)	Communication (ETHERC, SCI, RSPI, RIIC, CAN, USB)	Memory Interface Camera Interface (QSPI, SDHI, SDSI, MMCIF, PDC)	GLCDC	Interrupt	A/D D/A
29	TDI	P30		MTIOC4B/ TMRI3/PO8/ RTCIC0/ POE8#	RXD1/SMISO1/ SSCL1/MISOB-A			IRQ0-DS	
30	TCK	P27	CS7#	MTIOC2B/ TMCI3/PO7	SCK1/RSPCKB-A				
31	TDO	P26	CS6#	MTIOC2A/ TMO1/PO6	TXD1/SMOS1/ SSDA1/CTS3#/ RTS3#/SS3#/ MOSIB-A				
32		P25	CS5#/ EDACK1	MTIOC4C/ MTCLKB/ TIOCA4/PO5	RXD3/SMISO3/ SSCL3	SDHI_CD*1/ HSYNC			ADTRG0 #
33		P24	CS4#/ EDREQ1	MTIOC4A/ MTCLKA/ TIOCB4/ TMRI1/PO4	SCK3/ USB0_VBUSEN	SDHI_WP*1/ PIXCLK			
34		P23	EDACK0	MTIOC3D/ MTCLKD/ TIOCD3/PO3	TXD3/SMOSI3/ SSDA3/CTS0#/ RTS0#/SS0#	SDHI_D1-C*1/ PIXD7			
35		P22	EDREQ0	MTIOC3B/ MTCLKC/ TIOCC3/ TMO0/PO2	SCK0/ USB0_OVRCUR B	SDHI_D0-C*1/ PIXD6			
36		P21		MTIOC1B/ MTIOC4A/ TIOCA3/ TMCI0/PO1	RXD0/SMISO0/ SSCL0/SCL1*1/ USB0_EXICEN	SDHI_CLK-C*1/ PIXD5		IRQ9	
37		P20		MTIOC1A/ TIOCB3/ TMRI0/PO0	TXD0/SMOSI0/ SSDA0/SDA1*1/ USB0_ID	SDHI_CMD-C*1/ PIXD4		IRQ8	
38		P17		MTIOC3A/ MTIOC3B/ MTIOC4B/ TIOCB0/ TCLKD/TMO1/ PO15/POE8#	SCK1/TXD3/ SMOSI3/SSDA3/ SDA2-DS	SDHI_D3-C*1/ PIXD3		IRQ7	ADTRG1 #
39		P87		MTIOC4C/ TIOCA2	SMOSI10/ SSDA10/TXD10	SDHI_D2-C*1/ PIXD2			
40		P16		MTIOC3C/ MTIOC3D/ TIOCB1/ TCLKC/TMO2/ PO14/RTCOUT	TXD1/SMOSI1/ SSDA1/RXD3/ SMISO3/SSCL3/ SCL2-DS/ USB0_VBUSEN/ USB0_VBUS/ USB0_OVRCUR B			IRQ6	ADTRG0 #
41		P86		MTIOC4D/ TIOCA0	SMISO10/ SSCL10/RXD10	PIXD1			
42		P15		MTIOC0B/ MTCLKB/ TIOCB2/ TCLKB/TMCI2/ PO13	RXD1/SMISO1/ SSCL1/SCK3/ CRX1-DS	PIXD0		IRQ5	
43		P14		MTIOC3A/ MTCLKA/ TIOCB5/ TCLKA/TMRI2/ PO15	CTS1#/RTS1#/ SS1#/CTX1/ USB0_OVRCUR A			IRQ4	
44		P13		MTIOC0B/ TIOCA5/TMO3/ PO13	TXD2/SMOSI2/ SSDA2/ SDA0[FM+]			IRQ3	ADTRG1 #
45		P12		TMCI1	RXD2/SMISO2/ SSCL2/ SCL0[FM+]			IRQ2	

Table 1.8 List of Pin and Pin Functions (144-Pin LQFP) (3/7)

Pin Number	Power Supply Clock System Control	I/O Port	Bus EXDMAC SDRAMC	Timer (MTU, TPU, TMR, PPG, RTC, CMTW, POE, CAC)	Communication (ETHERC, SCI, RSPI, RIIC, CAN, USB)	Memory Interface Camera Interface (QSPI, SDHI, SDSI, MMCIF, PDC)	GLCDC	Interrupt	A/D D/A
46	VCC_USB								
47					USB0_DM				
48					USB0_DP				
49	VSS_USB								
50		P56	EDACK1	MTIOC3C/ TIOCA1	SCK7*1				
51	TRDATA3	P55	D0[A0/D0]*1/ WAIT#/ EDREQ0	MTIOC4D/ TMO3	ET0_EXOUT/ TXD7*1/ SMOSI7*1/ SSDA7*1/CRX1			IRQ10	
52	TRDATA2	P54	ALE/D1[A1/ D1]*1/ EDACK0	MTIOC4B/ TMC1	ET0_LINKSTA/ CTS2#/RTS2#/ SS2#/CTX1				
53		P53*2	BCLK						
54		P52	RD#		RXD2/SMISO2/ SSCL2/SSLB3-A				
55		P51	WR1#/ BC1#/ WAIT#		SCK2/SSLB2-A				
56		P50	WR0#/WR#		TXD2/SMOSI2/ SSDA2/SSLB1-A				
57	VSS								
58	TRCLK	P83	EDACK1	MTIOC4C	ET0_CRS/ RMII0_CRS_DV/ SCK10/SS10#/ CTS10#				
59	VCC								
60	UB	PC7	A23/CS0#	MTIOC3A/ MTCLKB/ TMO2/PO31/ TOC0/ CACREF	ET0_COL/TXD8/ SMOSI8/SSDA8/ SMOSI10/ SSDA10/TXD10/ MISOA-A	MMC_D7-A		IRQ14	
61		PC6	D2[A2/D2]*1/ A22/CS1#	MTIOC3C/ MTCLKA/ TMC12/PO30/ TIC0	ET0_ETXD3/ RXD8/SMISO8/ SSCL8/ SMISO10/ SSCL10/RXD10/ MOSIA-A	MMC_D6-A		IRQ13	
62		PC5	D3[A3/D3]*1/ A21/CS2#/ WAIT#	MTIOC3B/ MTCLKD/ TMRI2/PO29	ET0_ETXD2/ SCK8/SCK10/ RSPCKA-A	MMC_D5-A			
63	TRSYNC	P82	EDREQ1	MTIOC4A/ PO28	ET0_ETXD1/ RMII0_TXD1/ SMOSI10/ SSDA10/TXD10	MMC_D4-A			
64	TRDATA1	P81	EDACK0	MTIOC3D/ PO27	ET0_ETXD0/ RMII0_TXD0/ SMISO10/ SSCL10/RXD10	QIO3-A/SDHI_CD/ MMC_D3-A			
65	TRDATA0	P80	EDREQ0	MTIOC3B/ PO26	ET0_TX_EN/ RMII0_TXD_EN/ SCK10/RTS10#	QIO2-A/SDHI_WP/ MMC_D2-A			
66		PC4	A20/CS3#	MTIOC3D/ MTCLKC/ TMC11/PO25/ POE0#	ET0_TX_CLK/ SCK5/CTS8#/ RTS8#/SS8#/ SS10#/CTS10#/ RTS10#/SSLA0-A	QMI-A/QIO1-A/ SDHI_D1-A/ SDSI_D1-A/ MMC_D1-A			

Table 1.8 List of Pin and Pin Functions (144-Pin LQFP) (4/7)

Pin Number	Power Supply Clock System Control	I/O Port	Bus EXDMAC SDRAMC	Timer (MTU, TPU, TMR, PPG, RTC, CMTW, POE, CAC)	Communication (ETHERC, SCI, RSPI, RIIC, CAN, USB)	Memory Interface Camera Interface (QSPI, SDHI, SDSDI, MMCIF, PDC)	GLCDC	Interrupt	A/D D/A
67		PC3	A19	MTIOC4D/ TCLKB/PO24	ET0_TX_ER/ TXD5/SMOSI5/ SSDA5	QMO-A/QIO0-A/ SDHI_D0-A/ SDSI_D0-A/ MMC_D0-A			
68	TRDATA7	P77	CS7#	PO23	ET0_RX_ER/ RMII0_RX_ER/ SMOSI11/ SSDA11/TXD11	QSPCLK-A/ SDHI_CLK-A/ SDSI_CLK-A/ MMC_CLK-A			
69	TRDATA6	P76	CS6#	PO22	ET0_RX_CLK/ REF50CK0/ SMISO11/ SSCL11/RXD11	QSSL-A/ SDHI_CMD-A/ SDSI_CMD-A/ MMC_CMD-A			
70		PC2	A18	MTIOC4B/ TCLKA/PO21	ET0_RX_DV/ RXD5/SMISO5/ SSCL5/SSLA3-A	SDHI_D3-A/ SDSI_D3-A/ MMC_CD-A			
71	TRSYNC1	P75	CS5#	PO20	ET0_ERXD0/ RMII0_RXD0/ SCK11/RTS11#	SDHI_D2-A/ SDSI_D2-A/ MMC_RES#-A			
72	TRDATA5	P74	A20/CS4#	PO19	ET0_ERXD1/ RMII0_RXD1/ SS11#/CTS11#				
73		PC1	A17	MTIOC3A/ TCLKD/PO18	ET0_ERXD2/ SCK5/SSLA2-A			IRQ12	
74	VCC								
75		PC0	A16	MTIOC3C/ TCLKC/PO17	ET0_ERXD3/ CTS5#/RTS5#/ SS5#/SSLA1-A			IRQ14	
76	VSS								
77	TRDATA4	P73	CS3#	PO16	ET0_WOL				
78		PB7	A15	MTIOC3B/ TIOCB5/PO31	ET0_CRS/ RMII0_CRS_DV/ TXD9/SMOSI9/ SSDA9/ SMOSI11/ SSDA11/TXD11	SDSI_D1-B			
79		PB6	A14	MTIOC3D/ TIOCA5/PO30	ET0_ETXD1/ RMII0_TXD1/ RXD9/SMISO9/ SSCL9/ SMISO11/ SSCL11/RXD11	SDSI_D0-B			
80		PB5	A13	MTIOC2A/ MTIOC1B/ TIOCB4/ TMRI1/PO29/ POE4#	ET0_ETXD0/ RMII0_TXD0/ SCK9/SCK11	SDSI_CLK-B	LCD_CL K-B*1		
81		PB4	A12	TIOCA4/PO28	ET0_TX_EN/ RMII0_TXD_EN/ CTS9#/RTS9#/ SS9#/SS11#/ CTS11#/RTS11#	SDSI_CMD-B	LCD_TC ON0-B*1		
82		PB3	A11	MTIOC0A/ MTIOC4A/ TIOC3/ TCLKD/TMO0/ PO27/POE11#	ET0_RX_ER/ RMII0_RX_ER/ SCK4/SCK6	SDSI_D3-B	LCD_TC ON1-B*1		
83		PB2	A10	TIOCC3/ TCLKC/PO26	ET0_RX_CLK/ REF50CK0/ CTS4#/RTS4#/ SS4#/CTS6#/ RTS6#/SS6#	SDSI_D2-B	LCD_TC ON2-B*1		

Table 1.8 List of Pin and Pin Functions (144-Pin LQFP) (5/7)

Pin Number	Power Supply Clock System Control	I/O Port	Bus EXDMAC SDRAMC	Timer (MTU, TPU, TMR, PPG, RTC, CMTW, POE, CAC)	Communication (ETHERC, SCI, RSPI, RIIC, CAN, USB)	Memory Interface Camera Interface (QSPI, SDHI, SDSI, MMCIF, PDC)	GLCDC	Interrupt	A/D D/A
84		PB1	A9	MTIOC0C/ MTIOC4C/ TIOCB3/ TMCI0/PO25	ET0_ERXD0/ RMII0_RXD0/ TXD4/SMOSI4/ SSDA4/TXD6/ SMOSI6/SSDA6		LCD_TC ON3-B*1	IRQ4-DS	
85		P72	A19/CS2#		ET0_MDC				
86		P71	A18/CS1#		ET0_MDIO				
87		PB0	A8	MTIC5W/ TIOCA3/PO24	ET0_ERXD1/ RMII0_RXD1/ RXD4/SMISO4/ SSCL4/RXD6/ SMISO6/SSCL6		LCD_DA TA0-B*1	IRQ12	
88		PA7	A7	TIOCB2/PO23	ET0_WOL/ MISOA-B		LCD_DA TA1-B*1		
89		PA6	A6	MTIC5V/ MTCLKB/ TIOCA2/ TMCI3/PO22/ POE10#	ET0_EXOUT/ CTS5#/RTS5#/ SS5#/MOSIA-B		LCD_DA TA2-B*1		
90		PA5	A5	MTIOC6B/ TIOCB1/PO21	ET0_LINKSTA/ RSPCKA-B		LCD_DA TA3-B*1		
91	VCC								
92		PA4	A4	MTIC5U/ MTCLKA/ TIOCA1/ TMRI0/PO20	ET0_MDC/TXD5/ SMOSI5/SSDA5/ SSLA0-B		LCD_DA TA4-B*1	IRQ5-DS	
93	VSS								
94		PA3	A3	MTIOC0D/ MTCLKD/ TIOC0D/ TCLKB/PO19	ET0_MDIO/ RXD5/SMISO5/ SSCL5		LCD_DA TA5-B*1	IRQ6-DS	
95		PA2	A2	MTIOC7A/ PO18	RXD5/SMISO5/ SSCL5/SSLA3-B		LCD_DA TA6-B*1		
96		PA1	A1	MTIOC0B/ MTCLKC/ MTIOC7B/ TIOCB0/PO17	ET0_WOL/ SCK5/SSLA2-B		LCD_DA TA7-B*1	IRQ11	
97		PA0	BC0#/A0	MTIOC4A/ MTIOC6D/ TIOCA0/PO16/ CACREF	ET0_TX_EN/ RMII0_TXD_EN/ SSLA1-B		LCD_DA TA8-B*1		
98		P67	DQM1/CS7#	MTIOC7C				IRQ15	
99		P66	DQM0/CS6#	MTIOC7D					
100		P65	CKE/CS5#						
101		PE7	D15[A15/ D15]/D7[A7/ D7]*1	MTIOC6A/ TOC1	MISOB-B	SDHI_WP/ MMC_RES#-B	LCD_DA TA9-B*1	IRQ7	AN105
102		PE6	D14[A14/ D14]/D6[A6/ D6]*1	MTIOC6C/TIC1	MOSIB-B	SDHI_CD/ MMC_CD-B	LCD_DA TA10-B*1	IRQ6	AN104
103	VCC								
104		P70	SDCLK						
105	VSS								
106		PE5	D13[A13/ D13]/D5[A5/ D5]*1	MTIOC4C/ MTIOC2B	ET0_RX_CLK/ REF50CK0/ RSPCKB-B		LCD_DA TA11-B*1	IRQ5	AN103
107		PE4	D12[A12/ D12]/D4[A4/ D4]*1	MTIOC4D/ MTIOC1A/ PO28	ET0_ERXD2/ SSLB0-B		LCD_DA TA12-B*1		AN102



Table 1.8 List of Pin and Pin Functions (144-Pin LQFP) (6/7)

Pin Number	Power Supply Clock System Control	I/O Port	Bus EXDMAC SDRAMC	Timer (MTU, TPU, TMR, PPG, RTC, CMTW, POE, CAC)	Communication (ETHERC, SCI, RSPI, RIIC, CAN, USB)	Memory Interface Camera Interface (QSPI, SDHI, SDSI, MMCIF, PDC)	GLCDC	Interrupt	A/D D/A
108		PE3	D11[A11/D11]/D3[A3/D3]*1	MTIOC4B/PO26/TOC3/POE8#	ET0_ERXD3/CTS12#/RTS12#/SS12#	MMC_D7-B	LCD_DA TA13-B*1		AN101
109		PE2	D10[A10/D10]/D2[A2/D2]*1	MTIOC4A/PO23/TIC3	RXD12/SMISO12/SSCL12/RXDX12/SSLB3-B	MMC_D6-B	LCD_DA TA14-B*1	IRQ7-DS	AN100
110		PE1	D9[A9/D9]/D1[A1/D1]*1	MTIOC4C/MTIOC3B/PO18	TXD12/SMOSI12/SSDA12/TXDX12/SIOX12/SSLB2-B	MMC_D5-B	LCD_DA TA15-B*1		ANEX1
111		PE0	D8[A8/D8]/D0[A0/D0]*1	MTIOC3D	SCK12/SSLB1-B	MMC_D4-B	LCD_DA TA16-B*1		ANEX0
112		P64	WE#/D3[A3/D3]*1/CS4#						
113		P63	CAS#/D2[A2/D2]*1/CS3#						
114		P62	RAS#/D1[A1/D1]*1/CS2#						
115		P61	SDCS#/D0[A0/D0]*1/CS1#						
116	VSS								
117		P60	CS0#						
118	VCC								
119		PD7	D7[A7/D7]	MTIC5U/POE0#	SSLC3-A	QMI-B/QIO1-B/SDHI_D1-B/MMC_D1-B	LCD_DA TA17-B*1	IRQ7	AN107
120		PD6	D6[A6/D6]	MTIC5V/MTIOC8A/POE4#	SSLC2-A	QMO-B/QIO0-B/SDHI_D0-B/MMC_D0-B	LCD_DA TA18-B*1	IRQ6	AN106
121		PD5	D5[A5/D5]	MTIC5W/MTIOC8C/POE10#	SSLC1-A	QSPCLK-B/SDHI_CLK-B/MMC_CLK-B	LCD_DA TA19-B*1	IRQ5	AN113
122		PD4	D4[A4/D4]	MTIOC8B/POE11#	SSLC0-A	QSSL-B/SDHI_CMD-B/MMC_CMD-B	LCD_DA TA20-B*1	IRQ4	AN112
123		PD3	D3[A3/D3]	MTIOC8D/TOC2/POE8#	RSPCKC-A	QIO3-B/SDHI_D3-B/MMC_D3-B	LCD_DA TA21-B*1	IRQ3	AN111
124		PD2	D2[A2/D2]	MTIOC4D/TIC2	MISOC-A/CRX0	QIO2-B/SDHI_D2-B/MMC_D2-B	LCD_DA TA22-B*1	IRQ2	AN110
125		PD1	D1[A1/D1]	MTIOC4B/POE0#	MOSIC-A/CTX0		LCD_DA TA23-B*1	IRQ1	AN109
126		PD0	D0[A0/D0]	POE4#			LCD_EX TCLK-B*1	IRQ0	AN108
127		P93	A19	POE0#	CTS7#/RTS7#/SS7#				AN117
128		P92	A18	POE4#	RXD7/SMISO7/SSCL7				AN116
129		P91	A17		SCK7				AN115
130	VSS								
131		P90	A16		TXD7/SMOSI7/SSDA7				AN114

**Table 1.8 List of Pin and Pin Functions (144-Pin LQFP) (7/7)**

Pin Number	Power Supply Clock System Control	I/O Port	Bus EXDMAC SDRAMC	Timer (MTU, TPU, TMR, PPG, RTC, CMTW, POE, CAC)	Communication (ETHERC, SCI, RSPI, RIIC, CAN, USB)	Memory Interface Camera Interface (QSPI, SDHI, SDSI, MMCIF, PDC)	GLCDC	Interrupt	A/D D/A
132	VCC								
133		P47						IRQ15- DS	AN007
134		P46						IRQ14- DS	AN006
135		P45						IRQ13- DS	AN005
136		P44						IRQ12- DS	AN004
137		P43						IRQ11- DS	AN003
138		P42						IRQ10- DS	AN002
139		P41						IRQ9-DS	AN001
140	VREFL0								
141		P40						IRQ8-DS	AN000
142	VREFH0								
143	AVCC0								
144		P07						IRQ15	ADTRG0 #

Note 1. These pins are only enabled for products with 2 or 1.5 Mbytes of code flash memory.

Note 2. P53 is multiplexed with the BCLK pin function, so cannot be used as an I/O port pin when the external bus is enabled.

## 1.6.5 100-Pin TFLGA

Table 1.9 List of Pin and Pin Functions (100-Pin TFLGA) (1/5)

Pin Number	Power Supply Clock System Control	I/O Port	Bus EXDMAC	Timer (MTU, TPU, TMR, PPG, RTC, CMTW, POE, CAC)	Communication (ETHERC, SCI, RSPI, RIIC, CAN, USB)	Memory Interface Camera Interface (QSPI, SDHI, SDSI, MMCIF)	GLCDC	Interrupt	A/D D/A
A1		P05						IRQ13	DA1
A2	AVCC1								
A3		P07						IRQ15	ADTRG0 #
A4	VREFL0								
A5		P43						IRQ11-DS	AN003
A6		PD0	D0[A0/D0]	POE4#			LCD_EX TCLK-B*1	IRQ0	AN108
A7		PD4	D4[A4/D4]	MTIOC8B/ POE11#	SSLC0-A	QSSL-B/ SDHI_CMD-B/ MMC_CMD-B	LCD_DA TA20-B*1	IRQ4	AN112
A8		PE0	D8[A8/D8]/ D0[A0/D0]*1	MTIOC3D	SCK12/SSLB1-B	MMC_D4-B	LCD_DA TA16-B*1		ANEX0
A9		PE1	D9[A9/D9]/ D1[A1/D1]*1	MTIOC4C/ MTIOC3B/ PO18	TXD12/ SMOS12/ SSDA12/ TXDX12/ SIOX12/SSLB2-B	MMC_D5-B	LCD_DA TA15-B*1		ANEX1
A10		PE2	D10[A10/ D10]/D2[A2/ D2]*1	MTIOC4A/ PO23/TIC3	RXD12/ SMISO12/ SSCL12/ RXDX12/SSLB3-B	MMC_D6-B	LCD_DA TA14-B*1	IRQ7-DS	AN100
B1	EMLE								
B2	AVSS0								
B3	AVCC0								
B4		P40						IRQ8-DS	AN000
B5		P44						IRQ12-DS	AN004
B6		PD1	D1[A1/D1]	MTIOC4B/ POE0#	MOSIC-A/CTX0		LCD_DA TA23-B*1	IRQ1	AN109
B7		PD3	D3[A3/D3]	MTIOC8D/ TOC2/POE8#	RSPCKC-A	QIO3-B/SDHI_D3-B/ MMC_D3-B	LCD_DA TA21-B*1	IRQ3	AN111
B8		PD6	D6[A6/D6]	MTIC5V/ MTIOC8A/ POE4#	SSLC2-A	QMO-B/QIO0-B/ SDHI_D0-B/ MMC_D0-B	LCD_DA TA18-B*1	IRQ6	AN106
B9		PD7	D7[A7/D7]	MTIC5U/ POE0#	SSLC3-A	QMI-B/QIO1-B/ SDHI_D1-B/ MMC_D1-B	LCD_DA TA17-B*1	IRQ7	AN107
B10		PE3	D11[A11/ D11]/D3[A3/ D3]*1	MTIOC4B/ PO26/TOC3/ POE8#	ET0_ERXD3/ CTS12#/ RTS12#/SS12#	MMC_D7-B	LCD_DA TA13-B*1		AN101
C1	VCL								
C2	AVSS1								
C3		PJ3	EDACK1	MTIOC3C	ET0_EXOUT/ CTS6#/RTS6#/ SS6#/CTS0#/ RTS0#/SS0#				
C4	VREFH0								
C5		P42						IRQ10-DS	AN002

Table 1.9 List of Pin and Pin Functions (100-Pin TFLGA) (2/5)

Pin Number				Timer (MTU, TPU, TMR, PPG, RTC, CMTW, POE, CAC)	Communication (ETHERC, SCI, RSPI, RIIC, CAN, USB)	Memory Interface Camera Interface (QSPI, SDHI, SDSI, MMCIF)	GLCDC	Interrupt	A/D D/A
100-Pin TFLGA	Power Supply Clock System Control	I/O Port	Bus EXDMAC						
C6		P47						IRQ15-DS	AN007
C7		PD2	D2[A2/D2]	MTIOC4D/TIC2	MISOC-A/CRX0	QIO2-B/SDHI_D2-B/MMC_D2-B	LCD_DA TA22-B*1	IRQ2	AN110
C8		PD5	D5[A5/D5]	MTIC5W/ MTIOC8C/ POE10#	SSLC1-A	QSPCLK-B/ SDHI_CLK-B/ MMC_CLK-B	LCD_DA TA19-B*1	IRQ5	AN113
C9		PE5	D13[A13/ D13]/D5[A5/ D5]*1	MTIOC4C/ MTIOC2B	ET0_RX_CLK/ REF50CK0/ RSPCKB-B		LCD_DA TA11-B*1	IRQ5	AN103
C10		PE4	D12[A12/ D12]/D4[A4/ D4]*1	MTIOC4D/ MTIOC1A/ PO28	ET0_ERXD2/ SSLB0-B		LCD_DA TA12-B*1		AN102
D1	XCIN								
D2	XCOUT								
D3	MD/FINED								
D4	VBATT								
D5		P45						IRQ13-DS	AN005
D6		P46						IRQ14-DS	AN006
D7		PE6	D14[A14/ D14]/D6[A6/ D6]*1	MTIOC6C/TIC1	MOSIB-B	SDHI_CD/ MMC_CD-B	LCD_DA TA10-B*1	IRQ6	AN104
D8		PE7	D15[A15/ D15]/D7[A7/ D7]*1	MTIOC6A/ TOC1	MISOB-B	SDHI_WP/ MMC_RES#-B	LCD_DA TA9-B*1	IRQ7	AN105
D9		PA1	A1	MTIOC0B/ MTCLKC/ MTIOC7B/ TIOC0B/PO17	ET0_WOL/ SCK5/SSLA2-B		LCD_DA TA7-B*1	IRQ11	
D10		PA0	BC0#/A0	MTIOC4A/ MTIOC6D/ TIOCA0/PO16/ CACREF	ET0_TX_EN/ RMII0_TXD_EN/ SSLA1-B		LCD_DA TA8-B*1		
E1	XTAL	P37							
E2	VSS								
E3	RES#								
E4	TRST#	P34		MTIOC0A/ TMCI3/PO12/ POE10#	ET0_LINKSTA/ SCK6/SCK0			IRQ4	
E5		P41						IRQ9-DS	AN001
E6		PA2	A2	MTIOC7A/ PO18	RXD5/SMISO5/ SSCL5/SSLA3-B		LCD_DA TA6-B*1		
E7		PA6	A6	MTIC5V/ MTCLKB/ TIOCA2/ TMCI3/PO22/ POE10#	ET0_EXOUT/ CTS5#/RTS5#/ SS5#/MOSIA-B		LCD_DA TA2-B*1		
E8		PA4	A4	MTIC5U/ MTCLKA/ TIOCA1/ TMRI0/PO20	ET0_MDC/TXD5/ SMOSI5/SSDA5/ SSLA0-B		LCD_DA TA4-B*1	IRQ5-DS	
E9		PA5	A5	MTIOC6B/ TIOC6B1/PO21	ET0_LINKSTA/ RSPCKA-B		LCD_DA TA3-B*1		
E10		PA3	A3	MTIOC0D/ MTCLKD/ TIOC0D/ TCLKB/PO19	ET0_MDIO/ RXD5/SMISO5/ SSCL5		LCD_DA TA5-B*1	IRQ6-DS	

Table 1.9 List of Pin and Pin Functions (100-Pin TFLGA) (3/5)

Pin Number	Power Supply Clock System Control	I/O Port	Bus EXDMAC	Timer (MTU, TPU, TMR, PPG, RTC, CMTW, POE, CAC)	Communication (ETHERC, SCI, RSPI, RIIC, CAN, USB)	Memory Interface Camera Interface (QSPI, SDHI, SDSI, MMCIF)	GLCDC	Interrupt	A/D D/A
F1	EXTAL	P36							
F2	VCC								
F3	UPSEL	P35						NMI	
F4		P32		MTIOC0C/ TIOCC0/ TMO3/PO10/ RTCIC2/ RTCOU0/ POE0#/ POE10#	TXD6/SMOSI6/ SSDA6/TXD0/ SMOSI0/SSDA0/ CTX0/ USB0_VBUSEN			IRQ2-DS	
F5		P12		TMC11	RXD2/SMISO2/ SSCL2/ SCL0[FM+]			IRQ2	
F6		PB3	A11	MTIOC0A/ MTIOC4A/ TIOCD3/ TCLKD/TMO0/ PO27/POE11#	ET0_RX_ER/ RMII0_RX_ER/ SCK6	SDSI_D3-B	LCD_TC ON1-B*1		
F7		PB2	A10	TIOCC3/ TCLKC/PO26	ET0_RX_CLK/ REF50CK0/ CTS6#/RTS6#/ SS6#	SDSI_D2-B	LCD_TC ON2-B*1		
F8		PB0	A8	MTIC5W/ TIOCA3/PO24	ET0_ERXD1/ RMII0_RXD1/ RXD6/SMISO6/ SSCL6		LCD_DA TA0-B*1	IRQ12	
F9		PA7	A7	TIOCB2/PO23	ET0_WOL/ MISOA-B		LCD_DA TA1-B*1		
F10	VSS								
G1		P33	EDREQ1	MTIOC0D/ TIOCD0/ TMRI3/PO11/ POE4#/ POE11#	RXD6/SMISO6/ SSCL6/RXD0/ SMISO0/SSCL0/ CRX0			IRQ3-DS	
G2	TMS	P31		MTIOC4D/ TMC12/PO9/ RTCIC1	CTS1#/RTS1#/ SS1#/SSLB0-A			IRQ1-DS	
G3	TDI	P30		MTIOC4B/ TMRI3/PO8/ RTCIC0/ POE8#	RXD1/SMISO1/ SSCL1/MISOB-A			IRQ0-DS	
G4	TCK	P27	CS7#	MTIOC2B/ TMC13/PO7	SCK1/RSPCKB- A				
G5		P53*2	BCLK						
G6		P52	RD#		RXD2/SMISO2/ SSCL2/SSLB3-A				
G7		PB5	A13	MTIOC2A/ MTIOC1B/ TIOCB4/ TMRI1/PO29/ POE4#	ET0_ETXD0/ RMII0_TXD0/ SCK9/SCK11	SDSI_CLK-B	LCD_CL K-B*1		
G8		PB4	A12	TIOCA4/PO28	ET0_TX_EN/ RMII0_TXD_EN/ CTS9#/RTS9#/ SS9#/SS11#/ CTS11#/RTS11#	SDSI_CMD-B	LCD_TC ON0-B*1		
G9		PB1	A9	MTIOC0C/ MTIOC4C/ TIOCB3/ TMC10/PO25	ET0_ERXD0/ RMII0_RXD0/ TXD6/SMOSI6/ SSDA6		LCD_TC ON3-B*1	IRQ4-DS	
G10	VCC								

**Table 1.9 List of Pin and Pin Functions (100-Pin TFLGA) (4/5)**

Pin Number	Power Supply Clock System Control	I/O Port	Bus EXDMAC	Timer (MTU, TPU, TMR, PPG, RTC, CMTW, POE, CAC)	Communication (ETHERC, SCI, RSPI, RIIC, CAN, USB)	Memory Interface Camera Interface (QSPI, SDHI, SDSI, MMCIF)	GLCDC	Interrupt	A/D D/A
H1	TDO	P26	CS6#	MTIOC2A/ TMO1/PO6	TXD1/SMOSI1/ SSDA1/CTS3#/ RTS3#/SS3#/ MOSIB-A				
H2		P25	CS5#/ EDACK1	MTIOC4C/ MTCLKB/ TIOCA4/PO5	RXD3/SMISO3/ SSCL3				ADTRG0 #
H3		P16		MTIOC3C/ MTIOC3D/ TIOCB1/ TCLKC/TMO2/ PO14/RTCOU	TXD1/SMOSI1/ SSDA1/RXD3/ SMISO3/SSCL3/ SCL2-DS/ USB0_VBUSEN/ USB0_VBUS/ USB0_OVRCUR B		IRQ6	ADTRG0 #	
H4		P15		MTIOC0B/ MTCLKB/ TIOCB2/ TCLKB/TMC12/ PO13	RXD1/SMISO1/ SSCL1/SCK3/ CRX1-DS		IRQ5		
H5		P55	D0[A0/D0]*1/ WAIT#/ EDREQ0	MTIOC4D/ TMO3	ET0_EXOUT/ CRX1			IRQ10	
H6		P54	ALE/D1[A1/ D1]*1/ EDACK0	MTIOC4B/ TMC11	ET0_LINKSTA/ CTS2#/RTS2#/ SS2#/CTX1				
H7	UB	PC7	A23/CS0#	MTIOC3A/ MTCLKB/ TMO2/PO31/ TOC0/ CACREF	ET0_COL/TXD8/ SMOSI8/SSDA8/ SMOSI10/ SSDA10/TXD10/ MISOA-A			IRQ14	
H8		PC6	D2[A2/D2]*1/ A22/CS1#	MTIOC3C/ MTCLKA/ TMC12/PO30/ TIC0	ET0_ETXD3/ RXD8/SMISO8/ SSCL8/ SMISO10/ SSCL10/RXD10/ MOSIA-A			IRQ13	
H9		PB6	A14	MTIOC3D/ TIOCA5/PO30	ET0_ETXD1/ RMII0_TXD1/ RXD9/SMISO9/ SSCL9/ SMISO11/ SSCL11/RXD11	SDSI_D0-B			
H10		PB7	A15	MTIOC3B/ TIOCB5/PO31	ET0_CRS/ RMII0_CRS_DV/ TXD9/SMOSI9/ SSDA9/ SMOSI11/ SSDA11/TXD11	SDSI_D1-B			
J1		P24	CS4#/ EDREQ1	MTIOC4A/ MTCLKA/ TIOCB4/ TMRI1/PO4	SCK3/ USB0_VBUSEN				
J2		P21		MTIOC1B/ MTIOC4A/ TIOCA3/ TMC10/PO1	RXD0/SMISO0/ SSCL0/SCL1*1/ USB0_EXICEN			IRQ9	
J3		P17		MTIOC3A/ MTIOC3B/ MTIOC4B/ TIOCB0/ TCLKD/TMO1/ PO15/POE8#	SCK1/TXD3/ SMOSI3/SSDA3/ SDA2-DS			IRQ7	ADTRG1 #
J4		P13		MTIOC0B/ TIOCA5/TMO3/ PO13	TXD2/SMOSI2/ SSDA2/ SDA0[FM+]			IRQ3	ADTRG1 #
J5	VSS_USB								

**Table 1.9 List of Pin and Pin Functions (100-Pin TFLGA) (5/5)**

Pin Number	Power Supply Clock System Control	I/O Port	Bus EXDMAC	Timer (MTU, TPU, TMR, PPG, RTC, CMTW, POE, CAC)	Communication (ETHERC, SCI, RSPI, RIIC, CAN, USB)	Memory Interface Camera Interface (QSPI, SDHI, SDSI, MMCIF)	GLCDC	Interrupt	A/D D/A
J6	VCC_USB								
J7		P50	WR0#/WR#		TXD2/SMOSI2/SSDA2/SSLB1-A				
J8		PC4	A20/CS3#	MTIOC3D/MTCLKC/TMC11/PO25/POE0#	ET0_TX_CLK/SCK5/CTS8#/RTS8#/SS8#/SS10#/CTS10#/RTS10#/SSLA0-A				
J9		PC0	A16	MTIOC3C/TCLKC/PO17	ET0_ERXD3/CTS5#/RTS5#/SS5#/SSLA1-A			IRQ14	
J10		PC1	A17	MTIOC3A/TCLKD/PO18	ET0_ERXD2/SCK5/SSLA2-A			IRQ12	
K1		P23	EDACK0	MTIOC3D/MTCLKD/TIOCD3/PO3	TXD3/SMOSI3/SSDA3/CTS0#/RTS0#/SS0#				
K2		P22	EDREQ0	MTIOC3B/MTCLKC/TIOCC3/TMO0/PO2	SCK0/USB0_OVRCURB				
K3		P20		MTIOC1A/TIOCB3/TMRI0/PO0	TXD0/SMOSI0/SSDA0/SDA1*1/USB0_ID			IRQ8	
K4		P14		MTIOC3A/MTCLKA/TIOCB5/TCLKA/TMRI2/PO15	CTS1#/RTS1#/SS1#/CTX1/USB0_OVRCUR A			IRQ4	
K5					USB0_DM				
K6					USB0_DP				
K7		P51	WR1#/BC1#/WAIT#		SCK2/SSLB2-A				
K8		PC5	D3[A3/D3]*1/A21/CS2#/WAIT#	MTIOC3B/MTCLKD/TMRI2/PO29	ET0_ETXD2/SCK8/SCK10/RSPCKA-A				
K9		PC3	A19	MTIOC4D/TCLKB/PO24	ET0_TX_ER/TXD5/SMOSI5/SSDA5				
K10		PC2	A18	MTIOC4B/TCLKA/PO21	ET0_RX_DV/RXD5/SMISO5/SSCL5/SSLA3-A				

Note 1. These pins are only enabled for products with 2 or 1.5 Mbytes of code flash memory.

Note 2. P53 is multiplexed with the BCLK pin function, so cannot be used as an I/O port pin when the external bus is enabled.

## 1.6.6 100-Pin LFQFP

Table 1.10 List of Pin and Pin Functions (100-Pin LFQFP) (1/5)

Pin Number	Power Supply Clock System Control	I/O Port	Bus EXDMAC	Timer (MTU, TPU, TMR, PPG, RTC, CMTW, POE, CAC)	Communication (ETHERC, SCI, RSPI, RIIC, CAN, USB)	Memory Interface Camera Interface (QSPI, SDHI, SDSI, MMCIF)	GLCDC	Interrupt	A/D D/A
1	AVCC1								
2	EMLE								
3	AVSS1								
4		PJ3	EDACK1	MTIOC3C	ET0_EXOUT/ CTS6#/RTS6#/ SS6#/CTS0#/ RTS0#/SS0#				
5	VCL								
6	VBATT								
7	MD/FINED								
8	XCIN								
9	XCOUT								
10	RES#								
11	XTAL	P37							
12	VSS								
13	EXTAL	P36							
14	VCC								
15	UPSEL	P35						NMI	
16	TRST#	P34		MTIOC0A/ TMCI3/PO12/ POE10#	ET0_LINKSTA/ SCK6/SCK0			IRQ4	
17		P33	EDREQ1	MTIOC0D/ TIOC0D/ TMRI3/PO11/ POE4#/ POE11#	RXD6/SMISO6/ SSCL6/RXD0/ SMISO0/SSCL0/ CRX0			IRQ3-DS	
18		P32		MTIOC0C/ TIOCC0/ TMO3/PO10/ RTCIC2/ RTCOUT/ POE0#/ POE10#	TXD6/SMOSI6/ SSDA6/TXD0/ SMOSI0/SSDA0/ CTX0/ USB0_VBUSEN			IRQ2-DS	
19	TMS	P31		MTIOC4D/ TMC12/PO9/ RTCIC1	CTS1#/RTS1#/ SS1#/SSLB0-A			IRQ1-DS	
20	TDI	P30		MTIOC4B/ TMRI3/PO8/ RTCIC0/ POE8#	RXD1/SMISO1/ SSCL1/MISOB-A			IRQ0-DS	
21	TCK	P27	CS7#	MTIOC2B/ TMCI3/PO7	SCK1/RSPCKB-A				
22	TDO	P26	CS6#	MTIOC2A/ TMO1/PO6	TXD1/SMOSI1/ SSDA1/CTS3#/ RTS3#/SS3#/ MOSIB-A				
23		P25	CS5#/ EDACK1	MTIOC4C/ MTCLKB/ TIOCA4/PO5	RXD3/SMISO3/ SSCL3				ADTRG0 #
24		P24	CS4#/ EDREQ1	MTIOC4A/ MTCLKA/ TIOCB4/ TMRI1/PO4	SCK3/ USB0_VBUSEN				



Table 1.10 List of Pin and Pin Functions (100-Pin LFQFP) (2/5)

Pin Number	Power Supply Clock System Control	I/O Port	Bus EXDMAC	Timer (MTU, TPU, TMR, PPG, RTC, CMTW, POE, CAC)	Communication (ETHERC, SCI, RSPI, RIIC, CAN, USB)	Memory Interface Camera Interface (QSPI, SDHI, SDSI, MMCIF)	GLCDC	Interrupt	A/D D/A
25		P23	EDACK0	MTIOC3D/ MTCLKD/ TIOCD3/PO3	TXD3/SMOSI3/ SSDA3/CTS0#/ RTS0#/SS0#				
26		P22	EDREQ0	MTIOC3B/ MTCLKC/ TIOCC3/ TMO0/PO2	SCK0/ USB0_OVRCUR B				
27		P21		MTIOC1B/ MTIOC4A/ TIOCA3/ TMCI0/PO1	RXD0/SMISO0/ SSCL0/SCL1*1/ USB0_EXICEN			IRQ9	
28		P20		MTIOC1A/ TIOCB3/ TMRI0/PO0	TXD0/SMOSI0/ SSDA0/SDA1*1/ USB0_ID			IRQ8	
29		P17		MTIOC3A/ MTIOC3B/ MTIOC4B/ TIOCB0/ TCLKD/TMO1/ PO15/POE8#	SCK1/TXD3/ SMOSI3/SSDA3/ SDA2-DS			IRQ7	ADTRG1 #
30		P16		MTIOC3C/ MTIOC3D/ TIOCB1/ TCLKC/TMO2/ PO14/RTCOU	TXD1/SMOSI1/ SSDA1/RXD3/ SMISO3/SSCL3/ SCL2-DS/ USB0_VBUSEN/ USB0_VBUS/ USB0_OVRCUR B			IRQ6	ADTRG0 #
31		P15		MTIOC0B/ MTCLKB/ TIOCB2/ TCLKB/TMCI2/ PO13	RXD1/SMOSI0/ SSCL1/SCK3/ CRX1-DS			IRQ5	
32		P14		MTIOC3A/ MTCLKA/ TIOCB5/ TCLKA/TMRI2/ PO15	CTS1#/RTS1#/ SS1#/CTX1/ USB0_OVRCUR A			IRQ4	
33		P13		MTIOC0B/ TIOCA5/TMO3/ PO13	TXD2/SMOSI2/ SSDA2/ SDA0[FM+]			IRQ3	ADTRG1 #
34		P12		TMCI1	RXD2/SMISO2/ SSCL2/ SCL0[FM+]			IRQ2	
35	VCC_USB								
36					USB0_DM				
37					USB0_DP				
38	VSS_USB								
39		P55	D0[A0/D0]*1/ WAIT#/ EDREQ0	MTIOC4D/ TMO3	ET0_EXOUT/ CRX1			IRQ10	
40		P54	ALE/D1[A1/ D1]*1/ EDACK0	MTIOC4B/ TMCI1	ET0_LINKSTA/ CTS2#/RTS2#/ SS2#/CTX1				
41		P53*2	BCLK						
42		P52	RD#		RXD2/SMISO2/ SSCL2/SSLB3-A				
43		P51	WR1#/ BC1#/ WAIT#		SCK2/SSLB2-A				
44		P50	WR0#/WR#		TXD2/SMOSI2/ SSDA2/SSLB1-A				

Table 1.10 List of Pin and Pin Functions (100-Pin LQFP) (3/5)

Pin Number	Power Supply Clock System Control	I/O Port	Bus EXDMAC	Timer (MTU, TPU, TMR, PPG, RTC, CMTW, POE, CAC)	Communication (ETHERC, SCI, RSPI, RIIC, CAN, USB)	Memory Interface Camera Interface (QSPI, SDHI, SDSI, MMCIF)	GLCDC	Interrupt	A/D D/A
45	UB	PC7	A23/CS0#	MTIOC3A/ MTCLKB/ TMO2/PO31/ TOC0/ CACREF	ET0_COL/TXD8/ SMOSI8/SSDA8/ SMOSI10/ SSDA10/TXD10/ MISOA-A			IRQ14	
46		PC6	D2[A2/D2]*1/ A22/CS1#	MTIOC3C/ MTCLKA/ TMCI2/PO30/ TIC0	ET0_ETXD3/ RXD8/SMISO8/ SSCL8/ SMISO10/ SSCL10/RXD10/ MOSIA-A			IRQ13	
47		PC5	D3[A3/D3]*1/ A21/CS2#/ WAIT#	MTIOC3B/ MTCLKD/ TMRI2/PO29	ET0_ETXD2/ SCK8/SCK10/ RSPCKA-A				
48		PC4	A20/CS3#	MTIOC3D/ MTCLKC/ TMCI1/PO25/ POE0#	ET0_TX_CLK/ SCK5/CTS8#/ RTS8#/SS8#/ SS10#/CTS10#/ RTS10#/SSLA0-A				
49		PC3	A19	MTIOC4D/ TCLKB/PO24	ET0_TX_ER/ TXD5/SMOSI5/ SSDA5				
50		PC2	A18	MTIOC4B/ TCLKA/PO21	ET0_RX_DV/ RXD5/SMISO5/ SSCL5/SSLA3-A				
51		PC1	A17	MTIOC3A/ TCLKD/PO18	ET0_ERXD2/ SCK5/SSLA2-A			IRQ12	
52		PC0	A16	MTIOC3C/ TCLKC/PO17	ET0_ERXD3/ CTS5#/RTS5#/ SS5#/SSLA1-A			IRQ14	
53		PB7	A15	MTIOC3B/ TIOCB5/PO31	ET0_CRS/ RMII0_CRS_DV/ TXD9/SMOSI9/ SSDA9/ SMOSI11/ SSDA11/TXD11	SDSI_D1-B			
54		PB6	A14	MTIOC3D/ TIOCA5/PO30	ET0_ETXD1/ RMII0_TXD1/ RXD9/SMISO9/ SSCL9/ SMISO11/ SSCL11/RXD11	SDSI_D0-B			
55		PB5	A13	MTIOC2A/ MTIOC1B/ TIOCB4/ TMRI1/PO29/ POE4#	ET0_ETXD0/ RMII0_TXD0/ SCK9/SCK11	SDSI_CLK-B	LCD_CL K-B*1		
56		PB4	A12	TIOCA4/PO28	ET0_TX_EN/ RMII0_TXD_EN/ CTS9#/RTS9#/ SS9#/SS11#/ CTS11#/RTS11#	SDSI_CMD-B	LCD_TC ON0-B*1		
57		PB3	A11	MTIOC0A/ MTIOC4A/ TIOCD3/ TCLKD/TMO0/ PO27/POE11#	ET0_RX_ER/ RMII0_RX_ER/ SCK6	SDSI_D3-B	LCD_TC ON1-B*1		
58		PB2	A10	TIOCC3/ TCLKC/PO26	ET0_RX_CLK/ REF50CK0/ CTS6#/RTS6#/ SS6#	SDSI_D2-B	LCD_TC ON2-B*1		
59		PB1	A9	MTIOC0C/ MTIOC4C/ TIOCB3/ TMCI0/PO25	ET0_ERXD0/ RMII0_RXD0/ TXD6/SMOSI6/ SSDA6		LCD_TC ON3-B*1	IRQ4-DS	

Table 1.10 List of Pin and Pin Functions (100-Pin LQFP) (4/5)

Pin Number	Power Supply Clock System Control	I/O Port	Bus EXDMAC	Timer (MTU, TPU, TMR, PPG, RTC, CMTW, POE, CAC)	Communication (ETHERC, SCI, RSPI, RIIC, CAN, USB)	Memory Interface Camera Interface (QSPI, SDHI, SDSI, MMCIF)	GLCDC	Interrupt	A/D D/A
60	VCC								
61		PB0	A8	MTIC5W/ TIOCA3/PO24	ET0_ERXD1/ RMII0_RXD1/ RXD6/SMISO6/ SSCL6		LCD_DA TA0-B*1	IRQ12	
62	VSS								
63		PA7	A7	TIOCB2/PO23	ET0_WOL/ MISOA-B		LCD_DA TA1-B*1		
64		PA6	A6	MTIC5V/ MTCLKB/ TIOCA2/ TMCI3/PO22/ POE10#	ET0_EXOUT/ CTS5#/RTS5#/ SS5#/MOSIA-B		LCD_DA TA2-B*1		
65		PA5	A5	MTIOC6B/ TIOCB1/PO21	ET0_LINKSTA/ RSPCKA-B		LCD_DA TA3-B*1		
66		PA4	A4	MTIC5U/ MTCLKA/ TIOCA1/ TMRI0/PO20	ET0_MDC/TXD5/ SMOSI5/SSDA5/ SSLA0-B		LCD_DA TA4-B*1	IRQ5-DS	
67		PA3	A3	MTIOC0D/ MTCLKD/ TIOCDO/ TCLKB/PO19	ET0_MDIO/ RXD5/SMISO5/ SSCL5		LCD_DA TA5-B*1	IRQ6-DS	
68		PA2	A2	MTIOC7A/ PO18	RXD5/SMISO5/ SSCL5/SSLA3-B		LCD_DA TA6-B*1		
69		PA1	A1	MTIOC0B/ MTCLKC/ MTIOC7B/ TIOCB0/PO17	ET0_WOL/ SCK5/SSLA2-B		LCD_DA TA7-B*1	IRQ11	
70		PA0	BC0#/A0	MTIOC4A/ MTIOC6D/ TIOCA0/PO16/ CACREF	ET0_TX_EN/ RMII0_TXD_EN/ SSLA1-B		LCD_DA TA8-B*1		
71		PE7	D15[A15/ D15]/D7[A7/ D7]*1	MTIOC6A/ TOC1	MISOB-B	SDHI_WP/ MMC_RES#-B	LCD_DA TA9-B*1	IRQ7	AN105
72		PE6	D14[A14/ D14]/D6[A6/ D6]*1	MTIOC6C/TIC1	MOSIB-B	SDHI_CD/ MMC_CD-B	LCD_DA TA10-B*1	IRQ6	AN104
73		PE5	D13[A13/ D13]/D5[A5/ D5]*1	MTIOC4C/ MTIOC2B	ET0_RX_CLK/ REF50CK0/ RSPCKB-B		LCD_DA TA11-B*1	IRQ5	AN103
74		PE4	D12[A12/ D12]/D4[A4/ D4]*1	MTIOC4D/ MTIOC1A/ PO28	ET0_ERXD2/ SSLB0-B		LCD_DA TA12-B*1		AN102
75		PE3	D11[A11/ D11]/D3[A3/ D3]*1	MTIOC4B/ PO26/TOC3/ POE8#	ET0_ERXD3/ CTS12#/ RTS12#/SS12#	MMC_D7-B	LCD_DA TA13-B*1		AN101
76		PE2	D10[A10/ D10]/D2[A2/ D2]*1	MTIOC4A/ PO23/TIC3	RXD12/ SMISO12/ SSCL12/ RXDX12/SSLB3- B	MMC_D6-B	LCD_DA TA14-B*1	IRQ7-DS	AN100
77		PE1	D9[A9/D9]/ D1[A1/D1]*1	MTIOC4C/ MTIOC3B/ PO18	TXD12/ SMOSI12/ SSDA12/ TXDX12/ SIOX12/SSLB2- B	MMC_D5-B	LCD_DA TA15-B*1		ANEX1
78		PE0	D8[A8/D8]/ D0[A0/D0]*1	MTIOC3D	SCK12/SSLB1-B	MMC_D4-B	LCD_DA TA16-B*1		ANEX0

**Table 1.10 List of Pin and Pin Functions (100-Pin LQFP) (5/5)**

Pin Number	Power Supply Clock System Control	I/O Port	Bus EXDMAC	Timer (MTU, TPU, TMR, PPG, RTC, CMTW, POE, CAC)	Communication (ETHERC, SCI, RSPI, RIIC, CAN, USB)	Memory Interface Camera Interface (QSPI, SDHI, SDSI, MMCIF)	GLCDC	Interrupt	A/D D/A
79		PD7	D7[A7/D7]	MTIC5U/POE0#	SSLC3-A	QMI-B/QIO1-B/SDHI_D1-B/MMC_D1-B	LCD_D17-B*1	IRQ7	AN107
80		PD6	D6[A6/D6]	MTIC5V/MTIOC8A/POE4#	SSLC2-A	QMO-B/QIO0-B/SDHI_D0-B/MMC_D0-B	LCD_D18-B*1	IRQ6	AN106
81		PD5	D5[A5/D5]	MTIC5W/MTIOC8C/POE10#	SSLC1-A	QSPCLK-B/SDHI_CLK-B/MMC_CLK-B	LCD_D19-B*1	IRQ5	AN113
82		PD4	D4[A4/D4]	MTIOC8B/POE11#	SSLC0-A	QSSL-B/SDHI_CMD-B/MMC_CMD-B	LCD_D20-B*1	IRQ4	AN112
83		PD3	D3[A3/D3]	MTIOC8D/TOC2/POE8#	RSPCKC-A	QIO3-B/SDHI_D3-B/MMC_D3-B	LCD_D21-B*1	IRQ3	AN111
84		PD2	D2[A2/D2]	MTIOC4D/TIC2	MISOC-A/CRX0	QIO2-B/SDHI_D2-B/MMC_D2-B	LCD_D22-B*1	IRQ2	AN110
85		PD1	D1[A1/D1]	MTIOC4B/POE0#	MOSIC-A/CTX0		LCD_D23-B*1	IRQ1	AN109
86		PD0	D0[A0/D0]	POE4#			LCD_EX TCLK-B*1	IRQ0	AN108
87		P47						IRQ15-DS	AN007
88		P46						IRQ14-DS	AN006
89		P45						IRQ13-DS	AN005
90		P44						IRQ12-DS	AN004
91		P43						IRQ11-DS	AN003
92		P42						IRQ10-DS	AN002
93		P41						IRQ9-DS	AN001
94	VREFL0								
95		P40						IRQ8-DS	AN000
96	VREFH0								
97	AVCC0								
98		P07						IRQ15	ADTRG0 #
99	AVSS0								
100		P05						IRQ13	DA1

Note 1. These pins are only enabled for products with 2 or 1.5 Mbytes of code flash memory.

Note 2. P53 is multiplexed with the BCLK pin function, so cannot be used as an I/O port pin when the external bus is enabled.

## 1.6.7 64-Pin TFBGA

Table 1.11 List of Pin and Pin Functions (64-Pin TFBGA) (1/2)

Pin Number			Timer	Communication	Memory Interface		
64-Pin TFBGA	Power Supply Clock System Control	I/O Port	(MTU, TPU, TMR, RTC, CMTW, POE, CAC)	(SCI, RSPI, RIIC, USB)	(QSPI, SDHI)	Interrupt	A/D D/A
A1	AVCC1						
A2	AVSS0						
A3	VREFH0						
A4	VREFL0						
A5		PD2	MTIOC4D/TIC2		QIO2-B/SDHI_D2-B	IRQ2	AN110
A6		PD7	MTIC5U/POE0#		QMI-B/QIO1-B/ SDHI_D1-B	IRQ7	AN107
A7		PE0	MTIOC3D	SCK12			ANEX0
A8		PE2	MTIOC4A/TIC3	RXD12/SSCL12/ RXDX12		IRQ7-DS	
B1	EMLE						
B2	AVSS1						
B3	AVCC0						
B4		P42				IRQ10-DS	AN002
B5		PD3	MTIOC8D/TOC2/ POE8#		QIO3-B/SDHI_D3-B	IRQ3	AN111
B6		PD6	MTIC5V/MTIOC8A/ POE4#		QMO-B/QIO0-B/ SDHI_D0-B	IRQ6	AN106
B7		PE1	MTIOC4C/MTIOC3B	TXD12/SSDA12/ TXDX12/SIOX12			ANEX1
B8		PE6	MTIOC6C/TIC1		SDHI_CD	IRQ6	
C1	VCL						
C2	VBATT						
C3	MD/FINED						
C4		P41				IRQ9-DS	AN001
C5		PD4	MTIOC8B/POE11#		QSSL-B/SDHI_CMD-B	IRQ4	AN112
C6		PD5	MTIC5W/MTIOC8C/ POE10#		QSPCLK-B/ SDHI_CLK-B	IRQ5	AN113
C7		PA1	MTIOC0B/MTCLKC/ MTIOC7B/TIOCB0	SCK5		IRQ11	
C8		PE7	MTIOC6A/TOC1		SDHI_WP	IRQ7	
D1	XCIN						
D2	XCOUT						
D3	RES#						
D4		P40				IRQ8-DS	AN000
D5		P43				IRQ11-DS	AN003
D6		PA6	MTIC5V/MTCLKB/ TIOCA2/TMCI3/ POE10#	CTS5#/RTS5#/SS5#			
D7		PA2	MTIOC7A	RXD5/SMISO5/ SSCL5			
D8		PA4	MTIC5U/MTCLKA/ TIOCA1/TMRI0	TXD5/SMOSI5/ SSDA5		IRQ5-DS	
E1	XTAL	P37					
E2	VSS						
E3	TRST#	P34	MTIOC0A/TMCI3/ POE10#			IRQ4	

Table 1.11 List of Pin and Pin Functions (64-Pin TFBGA) (2/2)

Pin Number	Power Supply Clock System Control	I/O Port	Timer (MTU, TPU, TMR, RTC, CMTW, POE, CAC)	Communication (SCI, RSPI, RIIC, USB)	Memory Interface (QSPI, SDHI)	Interrupt	A/D D/A
E4		P13	MTIOC0B/TIOCA5/TMO3	TXD2/SSDA2/SDA0[FM+]		IRQ3	ADTRG1#
E5	BSCANP						
E6		PA7	TIOCB2				
E7	VCC						
E8	VSS						
F1	EXTAL	P36					
F2	VCC						
F3	UPSEL	P35				NMI	
F4		P12	TMC1	RXD2/SSCL2/SCL0[FM+]		IRQ2	
F5		P53					
F6		PB7	MTIOC3B/TIOCB5	TXD9/SSDA9/SSDA11/TXD11			
F7		PB6	MTIOC3D/TIOCA5	RXD9/SSCL9/SSCL11/RXD11			
F8		PB5	MTIOC2A/MTIOC1B/TIOCB4/TMRI1/POE4#	SCK9/SCK11			
G1	TCK	P27	MTIOC2B/TMC13	SCK1/RSPCKB-A			
G2	TMS	P31	MTIOC4D/TMC12/RTCIC1	CTS1#/RTS1#/SS1#/SSLB0-A		IRQ1-DS	
G3	TDI	P30	MTIOC4B/TMRI3/RTCIC0/POE8#	RXD1/SMISO1/SSCL1/MISOB-A		IRQ0-DS	
G4	VCC_USB						
G5	VSS_USB						
G6	UB	PC7	MTIOC3A/MTCLKB/TMO2/TOC0/CACREF	TXD8/SMOSI8/SSDA8/SMOSI10/SSDA10/TXD10/MISOA-A		IRQ14	
G7		PC5	MTIOC3B/MTCLKD/TMRI2	SCK8/SCK10/RSPCKA-A			
G8		PC0	MTIOC3C/TCLKC	SSLA1-A		IRQ14	
H1	TDO	P26	MTIOC2A/TMO1	TXD1/SMOSI1/SSDA1/CTS3#/RTS3#/MOSIB-A			
H2		P17	MTIOC3A/MTIOC3B/MTIOC4B/TIOCB0/TCLKD/TMO1/POE8#	SCK1/TXD3/SSDA3/SDA2-DS		IRQ7	ADTRG1#
H3		P16	MTIOC3C/MTIOC3D/TIOCB1/TCLKC/TMO2/RTCOUT	TXD1/SMOSI1/SSDA1/RXD3/SSCL3/SCL2-DS/USB0_VBUS		IRQ6	ADTRG0#
H4				USB0_DM			
H5				USB0_DP			
H6		PC6	MTIOC3C/MTCLKA/TMC12/TIC0	RXD8/SMISO8/SSCL8/SMISO10/SSCL10/RXD10/MOSIA-A		IRQ13	
H7		PC4	MTIOC3D/MTCLKC/TMC11/POE0#	CTS8#/RTS8#/SS8#/SS10#/CTS10#/RTS10#/SSLA0-A			
H8		PC1	MTIOC3A/TCLKD	SSLA2-A		IRQ12	

## 1.6.8 64-Pin LFQFP

Table 1.12 List of Pin and Pin Functions (64-Pin LFQFP) (1/2)

Pin Number	Power Supply Clock System Control	I/O Port	Timer (MTU, TPU, TMR, RTC, CMTW, POE, CAC)	Communication (SCI, RSPI, RIIC, USB)	Memory Interface (QSPI, SDHI)	Interrupt	A/D D/A
1	AVCC1						
2	EMLE						
3	AVSS1						
4	VCL						
5	VBATT						
6	MD/FINED						
7	XCIN						
8	XCOUT						
9	RES#						
10	XTAL	P37					
11	VSS						
12	EXTAL	P36					
13	VCC						
14	UPSEL	P35				NMI	
15	TRST#	P34	MTIOC0A/TMCI3/ POE10#			IRQ4	
16	TDI	P30	MTIOC4B/TMRI3/ RTCIC0/POE8#	RXD1/SMISO1/ SSCL1/MISOB-A		IRQ0-DS	
17	TMS	P31	MTIOC4D/TMCI2/ RTCIC1	CTS1#/RTS1#/SS1#/ SSLB0-A		IRQ1-DS	
18	TDO	P26	MTIOC2A/TMO1	TXD1/SMOSI1/ SSDA1/CTS3#/ RTS3#/MOSIB-A			
19	TCK	P27	MTIOC2B/TMCI3	SCK1/RSPCKB-A			
20		P17	MTIOC3A/MTIOC3B/ MTIOC4B/TIOCB0/ TCLKD/TMO1/ POE8#	SCK1/TXD3/SSDA3/ SDA2-DS		IRQ7	ADTRG1#
21		P16	MTIOC3C/MTIOC3D/ TIOCB1/TCLKC/ TMO2/RTCOUT	TXD1/SMOSI1/ SSDA1/RXD3/ SSCL3/SCL2-DS/ USB0_VBUS		IRQ6	ADTRG0#
22		P13	MTIOC0B/TIOCA5/ TMO3	TXD2/SSDA2/ SDA0[FM+]		IRQ3	ADTRG1#
23		P12	TMCI1	RXD2/SSCL2/ SCL0[FM+]		IRQ2	
24	VCC_USB						
25				USB0_DM			
26				USB0_DP			
27	VSS_USB						
28		P53					
29	UB	PC7	MTIOC3A/MTCLKB/ TMO2/TOC0/ CACREF	TXD8/SMOSI8/ SSDA8/SMOSI10/ SSDA10/TXD10/ MISOA-A		IRQ14	
30		PC6	MTIOC3C/MTCLKA/ TMCI2/TIC0	RXD8/SMISO8/ SSCL8/SMISO10/ SSCL10/RXD10/ MOSIA-A		IRQ13	
31		PC5	MTIOC3B/MTCLKD/ TMRI2	SCK8/SCK10/ RSPCKA-A			

Table 1.12 List of Pin and Pin Functions (64-Pin LQFP) (2/2)

Pin Number	Power Supply Clock System Control	I/O Port	Timer (MTU, TPU, TMR, RTC, CMTW, POE, CAC)	Communication (SCI, RSPI, RIIC, USB)	Memory Interface (QSPI, SDHI)	Interrupt	A/D D/A
32		PC4	MTIOC3D/MTCLKC/TMC11/POE0#	CTS8#/RTS8#/SS8#/SS10#/CTS10#/RTS10#/SSLA0-A			
33		PC1	MTIOC3A/TCLKD	SSLA2-A		IRQ12	
34		PC0	MTIOC3C/TCLKC	SSLA1-A		IRQ14	
35		PB7	MTIOC3B/TIOCB5	TXD9/SSDA9/SSDA11/TXD11			
36		PB6	MTIOC3D/TIOCA5	RXD9/SSCL9/SSCL11/RXD11			
37		PB5	MTIOC2A/MTIOC1B/TIOCB4/TMRI1/POE4#	SCK9/SCK11			
38	VCC						
39	VSS						
40		PA7	TIOCB2				
41		PA6	MTIC5V/MTCLKB/TIOCA2/TMC13/POE10#	CTS5#/RTS5#/SS5#			
42		PA4	MTIC5U/MTCLKA/TIOCA1/TMRI0	TXD5/SMOSI5/SSDA5		IRQ5-DS	
43		PA2	MTIOC7A	RXD5/SMISO5/SSCL5			
44		PA1	MTIOC0B/MTCLKC/MTIOC7B/TIOCB0	SCK5		IRQ11	
45		PE7	MTIOC6A/TOC1		SDHI_WP	IRQ7	
46		PE6	MTIOC6C/TIC1		SDHI_CD	IRQ6	
47		PE2	MTIOC4A/TIC3	RXD12/SSCL12/RDX12		IRQ7-DS	
48		PE1	MTIOC4C/MTIOC3B	TXD12/SSDA12/TDX12/SIOX12			ANEX1
49		PE0	MTIOC3D	SCK12			ANEX0
50		PD7	MTIC5U/POE0#		QMI-B/QIO1-B/SDHI_D1-B	IRQ7	AN107
51		PD6	MTIC5V/MTIOC8A/POE4#		QMO-B/QIO0-B/SDHI_D0-B	IRQ6	AN106
52		PD5	MTIC5W/MTIOC8C/POE10#		QSPCLK-B/SDHI_CLK-B	IRQ5	AN113
53		PD4	MTIOC8B/POE11#		QSSL-B/SDHI_CMD-B	IRQ4	AN112
54		PD3	MTIOC8D/TOC2/POE8#		QIO3-B/SDHI_D3-B	IRQ3	AN111
55		PD2	MTIOC4D/TIC2		QIO2-B/SDHI_D2-B	IRQ2	AN110
56		P43				IRQ11-DS	AN003
57		P42				IRQ10-DS	AN002
58		P41				IRQ9-DS	AN001
59	VREFL0						
60		P40				IRQ8-DS	AN000
61	VREFH0						
62	AVCC0						
63	AVSS0						
64		P05				IRQ13	DA1



## 2. Electrical Characteristics

### 2.1 Absolute Maximum Ratings

**Table 2.1 Absolute Maximum Rating**

Conditions: VSS = AVSS0 = AVSS1 = VREFL0 = VSS\_USB = 0 V

Item	Symbol	Value	Unit	
Power supply voltage	VCC, VCC_USB	-0.3 to +4.0	V	
V <sub>BATT</sub> power supply voltage	V <sub>BATT</sub>	-0.3 to +4.0	V	
Input voltage (except for ports for 5 V tolerant*1)	V <sub>in</sub>	-0.3 to VCC + 0.3 (up to 4.0)	V	
Input voltage (ports for 5 V tolerant*1)	V <sub>in</sub>	-0.3 to VCC + 4.0 (up to 5.8)	V	
Reference power supply voltage	VREFH0	-0.3 to AVCC0 + 0.3 (up to 4.0)	V	
Analog power supply voltage	AVCC0, AVCC1*2	-0.3 to +4.0	V	
Analog input voltage	V <sub>AN</sub>	-0.3 to AVCC + 0.3 (up to 4.0)	V	
Junction temperature	D version	T <sub>j</sub>	-40 to +105	°C
	G version	T <sub>j</sub>	-40 to +125	°C
Storage temperature	T <sub>stg</sub>	-55 to +125	°C	

Caution: Permanent damage to the LSI may result if absolute maximum ratings are exceeded.

Note 1. P07, P11 to P17, P20, P21, P30 to P33, P67, and PC0 to PC3 are 5 V tolerant.

Note 2. Connect the AVCC0, AVCC1, and VCC\_USB pins to VCC, and the AVSS0, AVSS1, and VSS\_USB pins to VSS.

When the A/D converter unit 0 is not to be used, connect the VREFH0 pin to VCC and the VREFL0 pin to VSS, respectively.

Do not leave these pins open. Insert capacitors of high frequency characteristics between the AVCC0 and AVSS0 pins, or AVCC1 and AVSS1 pins. Place capacitors of about 0.1 μF as close as possible to every power supply pin and use the shortest and heaviest possible traces.

## 2.2 Recommended Operating Conditions

**Table 2.2 Recommended Operating Conditions (1)**

Item	Symbol	Min.	Typ.	Max.	Unit
Power supply voltage*1	VCC	2.7	—	3.6	V
	VSS	—	0	—	
V <sub>BATT</sub> power supply voltage	V <sub>BATT</sub>	1.62*2	—	3.6	V
USB power supply voltage	VCC_USB	—	VCC	—	V
	VSS_USB	—	0	—	
Analog power supply voltage*1, *3	AVCC0	—	VCC	—	V
	AVSS0	—	0	—	
	AVCC1	—	VCC	—	
	AVSS1	—	0	—	
	VREFH0	2.7	—	AVCC0	
	VREFL0	—	0	—	
Input voltage (except for 5 V tolerant ports, except for P03, P05, and P40 to P47)*4	V <sub>in</sub>	-0.3	—	VCC + 0.3	V
Input voltage (P03, P05, and P40 to P47)	V <sub>in</sub>	-0.3	—	AVCC0 + 0.3	V
Input voltage (5V tolerant: P11 to P17, P20, P21, P30 to P33, P67, and PC0 to PC3)*5	V <sub>in</sub>	-0.3	—	VCC + 3.6 (up to 5.5)	V
Input voltage (5V tolerant: P07)	V <sub>in</sub>	-0.3	—	AVCC0 + 3.6 (up to 5.5)	V
Operating temperature (D version)	T <sub>opr</sub>	-40	—	85	°C
Operating temperature (G version)	T <sub>opr</sub>	-40	—	105	°C

Note 1. Comply with the following potential condition: VCC = AVCC0 = AVCC1 = VCC\_USB

Note 2. The low CL crystal unit cannot be used when the V<sub>BATT</sub> voltage is less than 2.0 V.

Note 3. For details, see section 53.6.11, Voltage Range of Analog Power Supply Pins in the User's Manual: Hardware.

Note 4. P07, P11 to P17, P20, P21, P30 to P33, P67, and PC0 to PC3 are 5 V tolerant.

Note 5. For P30, P31, and P32, input as follows when the V<sub>BATT</sub> power supply is selected.

V<sub>in</sub> Min. = -0.3, Max. = V<sub>BATT</sub> + 0.3 (V<sub>BATT</sub> = 1.62 to 3.6 V)

**Table 2.3 Recommended Operating Conditions (2)**

Item	Symbol	Value
Decoupling capacitance for stabilizing the internal voltage	C <sub>VCL</sub>	0.22 μF ± 30%*1

Note 1. Use a multilayer ceramic capacitor with a nominal capacitance of 0.22 μF, for which the sum of the capacitance tolerance and change in the capacitance under the usage conditions will be no greater than ±30%.

## 2.3 DC Characteristics

**Table 2.4 DC Characteristics (1)**

Conditions:  $V_{CC} = AVCC0 = AVCC1 = V_{CC\_USB} = V_{BATT} = 2.7$  to  $3.6$  V,  $2.7$  V  $\leq V_{REFH0} \leq AVCC0$ ,  
 $V_{SS} = AVSS0 = AVSS1 = V_{REFL0} = V_{SS\_USB} = 0$  V,  
 $T_a = T_{opr}$

Item		Symbol	Min.	Typ.	Max.	Unit	Test Conditions	
Schmitt trigger input voltage	IRQ input pin*1 MTU input pin*1 POE3 input pin*1 TPU input pin*1 TMR input pin*1 CMTW input pin*1 SCI input pin*1 CAN input pin*1 CAC input pin*1 ADTRG# input pin*1 QSPI input pin*1 RES#, NMI, TCK	$V_{IH}$	$0.8 \times V_{CC}$	—	—	V		
		$V_{IL}$	—	—	$0.2 \times V_{CC}$			
		$\Delta V_T$	$0.06 \times V_{CC}$	—	—			
		RIIC input pin (except for SMBus)	$V_{IH}$	$0.7 \times V_{CC}$	—			—
			$V_{IL}$	—	—			$0.3 \times V_{CC}$
			$\Delta V_T$	$0.05 \times V_{CC}$	—			—
		Ports for 5 V tolerant*2	$V_{IH}$	$0.8 \times V_{CC}$	—			—
			$V_{IL}$	—	—			$0.2 \times V_{CC}$
		Other input pins excluding ports for 5 V tolerant*3	$V_{IH}$	$0.8 \times V_{CC}$	—			—
			$V_{IL}$	—	—			$0.2 \times V_{CC}$
	High level input voltage (except for schmitt trigger input pin)	MD pin, EMLE	$V_{IH}$	$0.9 \times V_{CC}$	—	—		V
		EXTAL, RSPI input pin, EXDMAC input pin, WAIT#, SDHI input pin, MMC input pin, PDC input pin, SDSI input pin		$0.8 \times V_{CC}$	—	—		
		ETHERC input pin		2.3	—	—		
		D0 to D31		$0.7 \times V_{CC}$	—	—		
RIIC (SMBus)		2.1		—	—			
Low level input voltage (except for schmitt trigger input pin)	MD pin, EMLE	$V_{IL}$	—	—	$0.1 \times V_{CC}$	V		
	EXTAL, RSPI input pin, ETHERC input pin, EXDMAC input pin, WAIT#, SDHI input pin, MMC input pin, PDC input pin, SDSI input pin		—	—	$0.2 \times V_{CC}$			
	D0 to D31		—	—	$0.3 \times V_{CC}$			
	RIIC (SMBus)		—	—	0.8			

Note 1. This does not include the pins, which are multiplexed as ports for 5 V tolerant.

Note 2. P07, P11 to P17, P20, P21, P30 to P33, P67, and PC0 to PC3 are 5 V tolerant.

Note 3. For P30, P31, and P32, input as follows when the  $V_{BATT}$  power supply is selected.

$$V_{IH} \text{ Min.} = 0.8 \times V_{BATT}, V_{IL} \text{ Max.} = 0.2 \times V_{BATT} (V_{BATT} = 1.62 \text{ to } 3.6 \text{ V})$$

**Table 2.5 DC Characteristics (2)**

Conditions:  $V_{CC} = AV_{CC0} = AV_{CC1} = V_{CC\_USB} = V_{BATT} = 2.7$  to  $3.6$  V,  $2.7$  V  $\leq V_{REFH0} \leq AV_{CC0}$ ,  
 $V_{SS} = AV_{SS0} = AV_{SS1} = V_{REFL0} = V_{SS\_USB} = 0$  V,  
 $T_a = T_{opr}$

Item	Symbol	Min.	Typ.	Max.	Unit	Test Conditions	
High level output voltage	All output pins $V_{OH}$	$V_{CC} - 0.5$	—	—	V	$I_{OH} = -1$ mA	
Low level output voltage	All output pins (except for RIIC pins and ETHERC output pin)	$V_{OL}$	—	—	0.5	V	$I_{OL} = 1.0$ mA
	RIIC output pin		—	—	0.4		$I_{OL} = 3.0$ mA
			—	—	0.6		$I_{OL} = 6.0$ mA
	RIIC output pin (only P12 and P13 in channel 0)	$V_{OL}$	—	—	0.4	V	$I_{OL} = 15.0$ mA (ICFER.FMPE = 1)
			—	0.4	—		$I_{OL} = 20.0$ mA (ICFER.FMPE = 1)
	ETHERC output pin	$V_{OL}$	—	—	0.4	V	$I_{OL} = 1.0$ mA
Input leakage current	RES#, MD pin, EMLE*1, BSCANP*1, NMI	$ I_{in} $	—	—	1.0	$\mu$ A	$V_{in} = 0$ V $V_{in} = V_{CC}$
Three-state leakage current (off state)	Other than ports for 5 V tolerant	$ I_{TSI} $	—	—	1.0	$\mu$ A	$V_{in} = 0$ V $V_{in} = V_{CC}$
	Ports for 5 V tolerant		—	—	5.0		$V_{in} = 0$ V $V_{in} = 5.5$ V
Input pull-up resistor current	Other than P35	$I_p$	-300	—	-10	$\mu$ A	$V_{CC} = 2.7$ to $3.6$ V $V_{in} = 0$ V
Input pull-down resistor current	EMLE, BSCANP	$I_p$	10	—	300	$\mu$ A	$V_{in} = V_{CC}$
Input capacitance	All input pins (except for P03, P05, P12, P13, P16, P17, P20, P21, EMLE, BSCANP, USB0_DP, and USB0_DM)	$C_{in}$	—	—	8	$\mu$ F	$V_{bias} = 0$ V $V_{amp} = 20$ mV $f = 1$ MHz $T_a = 25^\circ$ C
	P03, P05, P12, P13, P16, P17, P20, P21, EMLE, BSCANP, USB0_DP, and USB0_DM		—	—	16		
Output voltage of the VCL pin	$V_{CL}$	—	1.18	—	V		

Note 1. The input leakage current value at the EMLE and BSCANP pins are only when  $V_{in} = 0$  V.

**Table 2.6 DC Characteristics (3) (Products with 1 Mbyte of code flash memory or less)**

Conditions: VCC = AVCC0 = AVCC1 = VCC\_USB = 2.7 to 3.6 V, 2.7 V ≤ VREFH0 ≤ AVCC0,  
 VSS = AVSS0 = AVSS1 = VREFL0 = VSS\_USB = 0 V,  
 T<sub>a</sub> = T<sub>opr</sub>

Item	Symbol	D version		G version		Unit	Test Conditions			
		Typ.	Max.	Typ.	Max.					
Supply current*1	I <sub>CC</sub> *3	High-speed operating mode	Full operation*2		—	40	—	45	mA  ICLK = 120 MHz, PCLKA = 120 MHz, PCLKB = 60 MHz, PCLKC = 60 MHz, PCLKD = 60 MHz, FCLK = 60 MHz, BCLK = 120 MHz, BCLK pin = 60 MHz	
			Normal operation	Peripheral module clocks are supplied*4		22	—	22		—
				Peripheral module clocks are stopped*4, *5		12	—	12		—
			Core Mark	Peripheral module clocks are stopped*4, *5		15	—	15		—
			Sleep mode: Peripheral module clocks are supplied*4		16	24	16	28		
			All module clock stop mode (reference value)		8	15	8	19		
		Low-speed operating mode 1: Peripheral module clocks are stopped*4		1.1	—	1.1	—	All clocks 1 MHz		
		Low-speed operating mode 2: Peripheral module clocks are stopped*4		1.1	—	1.1	—	All clocks 32.768 kHz		
		Software standby mode		1.6	6.4	1.6	9.8			
		Deep software standby mode	Power is supplied to the standby RAM and USB resume detecting unit (USB0 only)		15.5	61	15.5	85		μA
			Power is not supplied to the standby RAM and USB resume detecting unit (USB0 only)	Low power consumption function of the power-on reset circuit is disabled*6	11.5	38	11.5	48		
				Low power consumption function of the power-on reset circuit is enabled*7	4.9	29	4.9	39		
			Increase current by operating RTC	When a low C <sub>L</sub> crystal is in use	1	—	1	—		
When a standard C <sub>L</sub> crystal is in use	2			—	2	—				
When the RTC is operating while VCC is not supplied (Only the RTC and sub-clock oscillator operate with the battery backup function)	When a low C <sub>L</sub> crystal is in use		0.9	—	0.9	—	V <sub>BATT</sub> = 2.0 V, VCC = 0 V			
			1.6	—	1.6	—	V <sub>BATT</sub> = 3.3 V, VCC = 0 V			
	When a standard C <sub>L</sub> crystal is in use		1.6	—	1.6	—	V <sub>BATT</sub> = 1.62 V, VCC = 0 V			
		1.7	—	1.7	—	V <sub>BATT</sub> = 2.0 V, VCC = 0 V				
Inrush current on release from deep software standby mode	Inrush current*8	I <sub>RUSH</sub>	—	70	—	70	mA			
	Total inrush current*8	E <sub>RUSH</sub>	—	1.0	—	1.0		μC		

Note 1. Supply current values are measured when all output pins are unloaded and all input pull-up resistors are disabled.

Note 2. Peripheral module clocks are supplied.

Note 3. I<sub>CC</sub> depends on the f (ICLK) as follows (when ICLK/PCLKA : PCLKB/PCLKC/PCLKD : BCLK : BCLK pin = 2 : 1 : 2 : 1 and EXTERNAL = 12 MHz).

- D version
  - I<sub>CC</sub> max = 0.28 × f + 6.5 (full operation in high-speed operating mode)
  - I<sub>CC</sub> typ = 0.16 × f + 2.8 (normal operation in high-speed operating mode)
  - I<sub>CC</sub> typ = 0.1 × f + 1.0 (ICLK 1 MHz max) (low-speed operating mode 1)
  - I<sub>CC</sub> max = 0.15 × f + 6.5 (sleep mode)
- G version
  - I<sub>CC</sub> max = 0.30 × f + 9.0 (full operation in high-speed operating mode)
  - I<sub>CC</sub> typ = 0.16 × f + 2.8 (normal operation in high-speed operating mode)
  - I<sub>CC</sub> typ = 0.1 × f + 1.0 (ICLK 1 MHz max) (low-speed operating mode 1)
  - I<sub>CC</sub> max = 0.16 × f + 9.0 (sleep mode)

Note 4. Whether the peripheral module clocks are supplied or stopped is controlled only by the bit settings in the module stop control

registers A to D.

Note 5. When the peripheral module clock is stopped, the settings of the clock frequency are as follows:

ICLK = 120 MHz and PCLKA = PCLKB = PCLKC = PCLKD = FCLK = BCLK = BCLK pin = 3.75 MHz (divided by 64).

Note 6. When the low power consumption function is disabled, the DEEPCUT[1:0] bits are set to 01b.

Note 7. When the low power consumption function is enabled, the DEEPCUT[1:0] bits are set to 11b.

Note 8. Reference value

**Table 2.7 DC Characteristics (3) (Products with at least 1.5 Mbytes of code flash memory)**

Conditions: VCC = AVCC0 = AVCC1 = VCC\_USB = 2.7 to 3.6 V, 2.7 V ≤ VREFH0 ≤ AVCC0,

VSS = AVSS0 = AVSS1 = VREFL0 = VSS\_USB = 0 V,

T<sub>a</sub> = T<sub>opr</sub>

Item	Symbol	D version		G version		Unit	Test Conditions				
		Typ.	Max.	Typ.	Max.						
Supply current*1	I <sub>CC</sub> *3	Full operation*2		—	60	—	73	mA	ICLK = 120 MHz, PCLKA = 120 MHz, PCLKB = 60 MHz, PCLKC = 60 MHz, PCLKD = 60 MHz, FCLK = 60 MHz, BCLK = 120 MHz, BCLK pin = 60 MHz		
		Normal operation	Peripheral module clocks are supplied*4		26	—	26			—	
			Peripheral module clocks are stopped*4, *5		13	—	13			—	
		Core Mark	Peripheral module clocks are stopped*4, *5		17	—	17			—	
		Sleep mode: Peripheral module clocks are supplied*4		20	38	20	52				
		All module clock stop mode (reference value)		9	26	9	39				
		Increased by BGO operation*8	Reading from the code flash memory while the data flash memory is being programmed		6	—	6			—	
			Reading from the code flash memory while the code flash memory is being programmed		7	—	7			—	
		Increased by Trusted Secure IP operation		—	12	—	12				
		Low-speed operating mode 1: Peripheral module clocks are stopped*4		1.6	—	1.6	—			All clocks 1 MHz	
		Low-speed operating mode 2: Peripheral module clocks are stopped*4		1.6	—	1.6	—			All clocks 32.768 kHz	
		Software standby mode		1.6	13	1.6	22.4				
		Deep software standby mode	Power is supplied to the standby RAM and USB resume detecting unit (USB0 only)		15.5	70	15.5			98	μA
			Power is not supplied to the standby RAM and USB resume detecting unit (USB0 only)	Low power consumption function of the power-on reset circuit is disabled*6		11.5	42			11.5	
Low power consumption function of the power-on reset circuit is enabled*7				4.9	32	4.9	47				
Increase current by operating RTC	When a low C <sub>L</sub> crystal is in use		1	—	1	—					
	When a standard C <sub>L</sub> crystal is in use		2	—	2	—					
When the RTC is operating while VCC is not supplied (Only the RTC and sub-clock oscillator operate with the battery backup function)	When a low C <sub>L</sub> crystal is in use		0.9	—	0.9	—	V <sub>BATT</sub> = 2.0 V, VCC = 0 V				
			1.6	—	1.6	—	V <sub>BATT</sub> = 3.3 V, VCC = 0 V				
	When a standard C <sub>L</sub> crystal is in use		1.6	—	1.6	—	V <sub>BATT</sub> = 1.62 V, VCC = 0 V				
			1.7	—	1.7	—	V <sub>BATT</sub> = 2.0 V, VCC = 0 V				
			3.3	—	3.3	—	V <sub>BATT</sub> = 3.3 V, VCC = 0 V				
Inrush current on release from deep software standby mode	Inrush current*9		I <sub>RUSH</sub>	—	130	—	130	mA			
	Total inrush current*9		E <sub>RUSH</sub>	—	1.0	—	1.0		μC		

Note 1. Supply current values are measured when all output pins are unloaded and all input pull-up resistors are disabled.

Note 2. Peripheral module clocks are supplied.

Note 3. I<sub>CC</sub> depends on the f (ICLK) as follows (when ICLK/PCLKA : PCLKB/PCLKC/PCLKD : BCLK : BCLK pin = 2 : 1 : 2 : 1 and

EXTAL = 12 MHz).

- D version

- $I_{CC} \text{ max} = 0.38 \times f + 14$  (full operation in high-speed operating mode)
- $I_{CC} \text{ typ} = 0.18 \times f + 4$  (normal operation in high-speed operating mode)
- $I_{CC} \text{ typ} = 0.1 \times f + 1.5$  (ICLK 1 MHz max) (low-speed operating mode 1)
- $I_{CC} \text{ max} = 0.2 \times f + 14$  (sleep mode)

- G version

- $I_{CC} \text{ max} = 0.44 \times f + 20$  (full operation in high-speed operating mode)
- $I_{CC} \text{ typ} = 0.18 \times f + 4$  (normal operation in high-speed operating mode)
- $I_{CC} \text{ typ} = 0.1 \times f + 1.5$  (ICLK 1 MHz max) (low-speed operating mode 1)
- $I_{CC} \text{ max} = 0.27 \times f + 20$  (sleep mode)

Note 4. Whether the peripheral module clocks are supplied or stopped is controlled only by the bit settings in the module stop control registers A to D.

Note 5. When the peripheral module clock is stopped, the settings of the clock frequency are as follows:

ICLK = 120 MHz and PCLKA = PCLKB = PCLKC = PCLKD = FCLK = BCLK = BCLK pin = 3.75 MHz (divided by 64).

Note 6. When the low power consumption function is disabled, the DEEPCUT[1:0] bits are set to 01b.

Note 7. When the low power consumption function is enabled, the DEEPCUT[1:0] bits are set to 11b.

Note 8. These are the increases during programming of the code flash memory after the code flash memory (limitations apply to the combinations of address ranges of the program area and the readable area) or the data flash memory has been programmed or erased.

Note 9. Reference value

**Table 2.8 DC Characteristics (4)**

Conditions:  $V_{CC} = AVCC0 = AVCC1 = VCC\_USB = 2.7$  to  $3.6$  V,  $2.7$  V  $\leq$  VREFH0  $\leq$  AVCC0,  
 $V_{SS} = AVSS0 = AVSS1 = VREFL0 = VSS\_USB = 0$  V,  
 $T_a = T_{opr}$

Item	Symbol	D version			G version			Unit	Test Conditions		
		Min.	Typ.	Max.	Min.	Typ.	Max.				
Analog power supply current*1	During 12-bit A/D conversion (unit 0)	$I_{CC}$	—	0.8	1	—	0.8	1	mA	IAVCC0_AD	
	During 12-bit A/D conversion (unit 0) with channel dedicated sample-and-hold circuits (3 channels)		—	1.7	2.5	—	1.7	2.5		IAVCC0_AD + SH	
	During 12-bit A/D conversion (unit 1)		—	0.6	1	—	0.6	1		IAVCC1_AD	
	During 12-bit A/D conversion (unit 1) + temperature sensor		—	0.7	1.1	—	0.7	1.1		IAVCC1_AD + TEMP	
	During D/A conversion (per unit)		Unbuffered output	—	0.25	0.4	—	0.25		0.4	IAVCC1_DA
			Buffered output	—	0.75	1.1	—	0.75		1.1	
	Waiting for A/D, D/A, and temperature sensor conversion (all units)		—	0.9	1.4	—	0.9	1.4	IAVCC0 + IAVCC1		
A/D, D/A, and temperature sensor are in standby mode (all units)	—	1.4	6.7	—	1.4	9.0	$\mu$ A	IAVCC0 + IAVCC1			
Reference power supply current	During 12-bit A/D conversion (unit 0)	$I_{REFH}$	—	38	60	—	38	60	$\mu$ A	IVREFH0	
	Waiting for 12-bit A/D conversion (unit 0)		—	0.07	0.5	—	0.07	0.6		IVREFH0	
	12-bit A/D converter in module stop status (unit 0)		—	0.07	0.4	—	0.07	0.5		IVREFH0	
USB operating current	Low speed	USB0	$I_{CCUSBLS}$	—	3.7	6.5	—	3.7	6.5	mA	VCC_USB
	Full speed	USB0		$I_{CCUSBFS}$	—	4.2	10	—	4.2		10
RAM retention voltage		$V_{RAM}$	2.7	—	—	2.7	—	—	V		
VCC rising gradient		$SrVCC$	8.4	—	20000	8.4	—	20000	$\mu$ s/V		
VCC falling gradient*2		$SfVCC$	8.4	—	—	8.4	—	—	$\mu$ s/V		

Note 1. The reference power supply current is included in the power supply current value for 12-bit A/D converter (unit 1) and D/A converter.

Note 2. This applies when  $V_{BATT}$  is used.

**Table 2.9 Permissible Output Currents**

Conditions:  $VCC = AVCC0 = AVCC1 = VCC\_USB = V_{BATT} = 2.7$  to  $3.6$  V,  $2.7$  V  $\leq$   $VREFH0 \leq AVCC0$ ,  
 $VSS = AVSS0 = AVSS1 = VREFL0 = VSS\_USB = 0$  V,  
 $T_a = T_{opr}$

Item			Symbol	Min.	Typ.	Max.	Unit
Permissible output low current (average value per pin)	All output pins*1	Normal drive	$I_{OL}$	—	—	2.0	mA
	All output pins*2	High drive		—	—	3.8	
	All output pins*3	High-speed interface high-drive		—	—	7.5	
Permissible output low current (max. value per pin)	All output pins*1	Normal drive	$I_{OL}$	—	—	4.0	mA
	All output pins*2	High drive		—	—	7.6	
	All output pins*3	High-speed interface high-drive		—	—	15	
Permissible output low current (total)	Total of all output pins		$\Sigma I_{OL}$	—	—	80	mA
Permissible output high current (average value per pin)	All output pins*1	Normal drive	$I_{OH}$	—	—	-2.0	mA
	All output pins*2	High drive		—	—	-3.8	
	All output pins*3	High-speed interface high-drive		—	—	-7.5	
Permissible output high current (max. value per pin)	All output pins*1	Normal drive	$I_{OH}$	—	—	-4.0	mA
	All output pins*2	High drive		—	—	-7.6	
	All output pins*3	High-speed interface high-drive		—	—	-15	
Permissible output high current (total)	Total of all output pins		$\Sigma I_{OH}$	—	—	-80	mA

Caution: To protect the LSI's reliability, the output current values should not exceed the values in this table.

Note 1. This is the value when normal driving ability is set with a pin for which normal driving ability is selectable.

Note 2. This is the value when high driving ability is set with a pin for which normal driving ability is selectable or the value of the pin to which high driving ability is fixed.

Note 3. This is the value when high-speed interface high-driving ability is set with a pin for which high-speed interface high-driving ability is selectable.



**Table 2.10 Thermal Resistance Value (Reference)**

Item	Package	Symbol	Max.	Unit	Test Conditions
Thermal resistance	176-pin LFQFP (PLQP0176KB-A)	$\theta_{ja}$	48.0	°C/W	JESD51-2 and JESD51-7 compliant
	144-pin LFQFP (PLQP0144KA-B)		50.9		
	100-pin LFQFP (PLQP0100KB-B)		52.5		
	64-pin LFQFP (PLQP0064KB-C)		53.7		
	177-pin TFLGA (PTLG0177KA-A)		36.3		
	176-pin LFBGA (PLBG0176GA-A)		35.4		
	145-pin TFLGA (PTLG0145KA-A)		34.6		
	100-pin TFLGA (PTLG0100JA-A)		34.1		
	64-pin TFBGA (PTBG0064KB-A)		35.3		
	176-pin LFQFP (PLQP0176KB-A)	$\Psi_{jt}$	1.0	°C/W	JESD51-2 and JESD51-7 compliant
	144-pin LFQFP (PLQP0144KA-B)		1.5		
	100-pin LFQFP (PLQP0100KB-B)		1.5		
	64-pin LFQFP (PLQP0064KB-C)		1.5		
	177-pin TFLGA (PTLG0177KA-A)		0.3		
	176-pin LFBGA (PLBG0176GA-A)		0.3		
	145-pin TFLGA (PTLG0145KA-A)		0.4		
	100-pin TFLGA (PTLG0100JA-A)		0.4		
	64-pin TFBGA (PTBG0064KB-A)		0.5		

Note: The values are reference values when the 4-layer board is used. Thermal resistance depends on the number of layers or size of the board. For details, refer to the JEDEC standards.

## 2.4 AC Characteristics

**Table 2.11 Operating Frequency (High-Speed Operating Mode)**

Conditions:  $V_{CC} = AV_{CC0} = AV_{CC1} = V_{CC\_USB} = V_{BATT} = 2.7$  to  $3.6$  V,  $2.7$  V  $\leq V_{REFH0} \leq AV_{CC0}$ ,  
 $V_{SS} = AV_{SS0} = AV_{SS1} = V_{REFL0} = V_{SS\_USB} = 0$  V,  
 $T_a = T_{opr}$

Item		Symbol	Min.	Typ.	Max.	Unit	
Operating frequency	System clock (ICKLK)	f	—	—	120	MHz	
	Peripheral module clock (PCLKA)		—	—	120		
	Peripheral module clock (PCLKB)		—	—	60		
	Peripheral module clock (PCLKC)		—	—	60		
	Peripheral module clock (PCLKD)		—	—	60		
	Flash-IF clock (FCLK)		—*1	—	60		
	External bus clock (BCLK)		Package of 144 pins or more	—	—		120
			100-pin package	—	—		60
	BCLK pin output		Package of 144 pins or more	—	—		60
			100-pin package	—	—		30
	SDRAM clock (SDCLK)		Package of 144 pins or more	—	—		60
SDCLK pin output	Package of 144 pins or more	—	—	60			

Note 1. The FCLK must run at a frequency of at least 4 MHz when changing the flash memory contents.

**Table 2.12 Operating Frequency (Low-Speed Operating Mode 1)**

Conditions:  $V_{CC} = AV_{CC0} = AV_{CC1} = V_{CC\_USB} = V_{BATT} = 2.7$  to  $3.6$  V,  $2.7$  V  $\leq V_{REFH0} \leq AV_{CC0}$ ,  
 $V_{SS} = AV_{SS0} = AV_{SS1} = V_{REFL0} = V_{SS\_USB} = 0$  V,  
 $T_a = T_{opr}$

Item		Symbol	Min.	Typ.	Max.	Unit	
Operating frequency	System clock (ICKLK)	f	—	—	1	MHz	
	Peripheral module clock (PCLKA)		—	—	1		
	Peripheral module clock (PCLKB)		—	—	1		
	Peripheral module clock (PCLKC)*1		—	—	1		
	Peripheral module clock (PCLKD)*1		—	—	1		
	Flash-IF clock (FCLK)		—	—	1		
	External bus clock (BCLK)		Package of 144 pins or more	—	—		1
			100-pin package	—	—		1
	BCLK pin output		Package of 144 pins or more	—	—		1
			100-pin package	—	—		1
	SDRAM clock (SDCLK)		Package of 144 pins or more	—	—		1
SDCLK pin output	Package of 144 pins or more	—	—	1			

Note 1. When the 12-bit A/D converter is used, the frequency must be set to at least 1 MHz.

**Table 2.13 Operating Frequency (Low-Speed Operating Mode 2)**

Conditions:  $V_{CC} = AVCC0 = AVCC1 = V_{CC\_USB} = V_{BATT} = 2.7$  to  $3.6$  V,  $2.7$  V  $\leq V_{REFH0} \leq AVCC0$ ,  
 $V_{SS} = AVSS0 = AVSS1 = V_{REFL0} = V_{SS\_USB} = 0$  V,  
 $T_a = T_{opr}$

Item		Symbol	Min.	Typ.	Max.	Unit	
Operating frequency	System clock (ICLK)	f	32	—	264	kHz	
	Peripheral module clock (PCLKA)		—	—	264		
	Peripheral module clock (PCLKB)		—	—	264		
	Peripheral module clock (PCLKC)*1		—	—	264		
	Peripheral module clock (PCLKD)*1		—	—	264		
	Flash-IF clock (FCLK)		32	—	264		
	External bus clock (BCLK)		Package of 144 pins or more	—	—		264
			100-pin package	—	—		264
	BCLK pin output		Package of 144 pins or more	—	—		264
			100-pin package	—	—		264
	SDRAM clock (SDCLK)		Package of 144 pins or more	—	—		264
	SDCLK pin output		Package of 144 pins or more	—	—		264

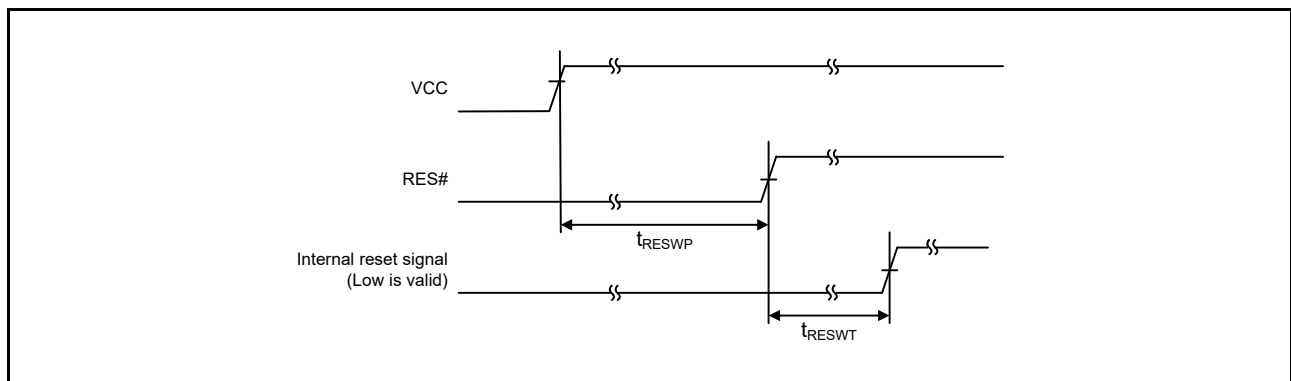
Note 1. The 12-bit A/D converter cannot be used.

### 2.4.1 Reset Timing

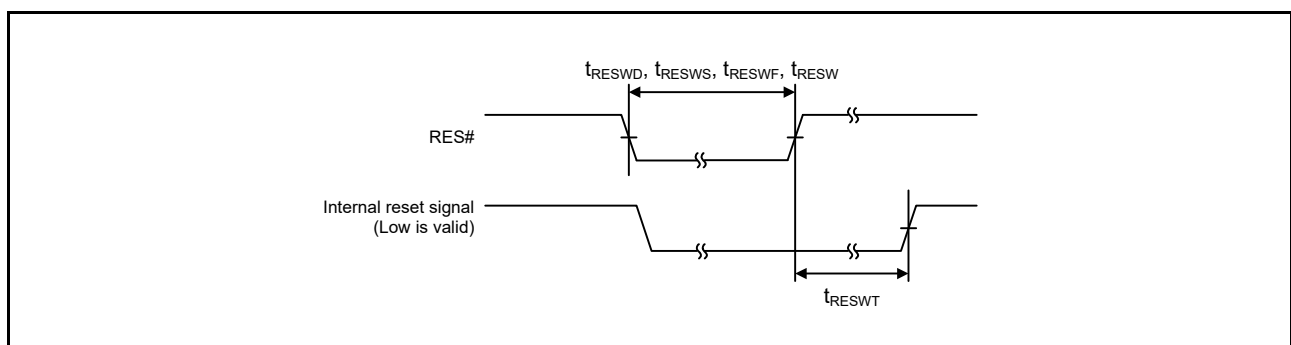
**Table 2.14 Reset Timing**

Conditions:  $VCC = AVCC0 = AVCC1 = VCC\_USB = V_{BATT} = 2.7$  to  $3.6$  V,  $2.7$  V  $\leq$   $VREFH0 \leq AVCC0$ ,  
 $VSS = AVSS0 = AVSS1 = VREFL0 = VSS\_USB = 0$  V,  
 $T_a = T_{opr}$

Item		Symbol	Min.	Typ.	Max.	Unit	Test Conditions
RES# pulse width	Power-on	$t_{RESWP}$	1	—	—	ms	Figure 2.1
	Deep software standby mode	$t_{RESWD}$	0.6	—	—	ms	Figure 2.2
	Software standby mode, low-speed operating mode 2	$t_{RESWS}$	0.3	—	—	ms	
	Programming or erasure of the code flash memory, or programming, erasure or blank checking of the data flash memory	$t_{RESWF}$	200	—	—	$\mu$ s	
	Other than above	$t_{RESW}$	200	—	—	$\mu$ s	
Waiting time after release from the RES# pin reset		$t_{RESWT}$	54	—	55	$t_{Lcyc}$	Figure 2.1
Internal reset time (independent watchdog timer reset, watchdog timer reset, software reset)		$t_{RESW2}$	100	—	108	$t_{Lcyc}$	



**Figure 2.1 Reset Input Timing at Power-On**



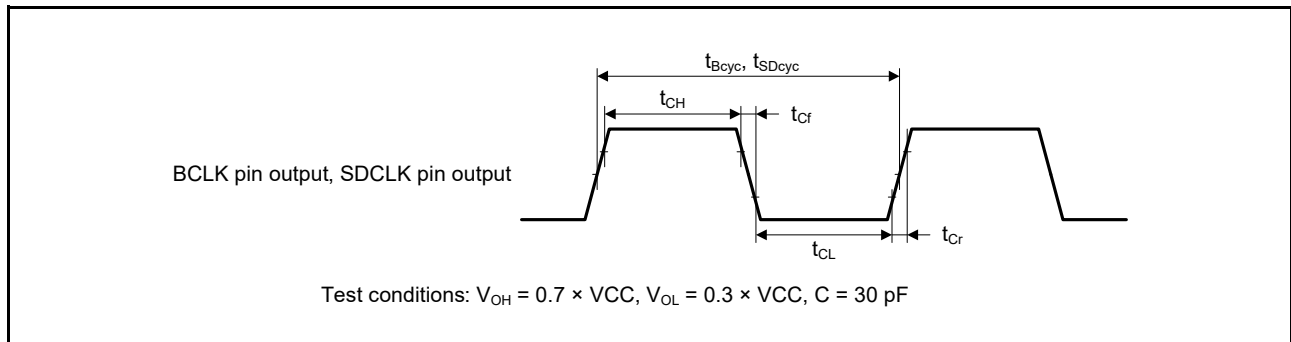
**Figure 2.2 Reset Input Timing**

2.4.2 Clock Timing

**Table 2.15 BCLK Pin Output, SDCLK Pin Output Clock Timing**

Conditions:  $V_{CC} = AV_{CC0} = AV_{CC1} = V_{CC\_USB} = V_{BATT} = 2.7$  to  $3.6$  V,  $2.7$  V  $\leq V_{REFH0} \leq AV_{CC0}$ ,  
 $V_{SS} = AV_{SS0} = AV_{SS1} = V_{REFL0} = V_{SS\_USB} = 0$  V,  
 $T_a = T_{opr}$

Item	Symbol	Min.	Typ.	Max.	Unit	Test Conditions	
BCLK pin output cycle time	$t_{Bcyc}$	Package of 144 pins or more	16.6	—	—	ns	Figure 2.3
		100-pin package	33.2	—	—		
BCLK pin output high pulse width	$t_{CH}$	3.3	—	—	ns		
BCLK pin output low pulse width	$t_{CL}$	3.3	—	—	ns		
BCLK pin output rising time	$t_{Cr}$	—	—	5	ns		
BCLK pin output falling time	$t_{Cf}$	—	—	5	ns		
SDCLK pin output cycle time	$t_{Bcyc}$	Package of 144 pins or more	16.6	—	—	ns	
SDCLK pin output high pulse width			$t_{CH}$	3.3	—	—	ns
SDCLK pin output low pulse width			$t_{CL}$	3.3	—	—	ns
SDCLK pin output rising time			$t_{Cr}$	—	—	5	ns
SDCLK pin output falling time			$t_{Cf}$	—	—	5	ns

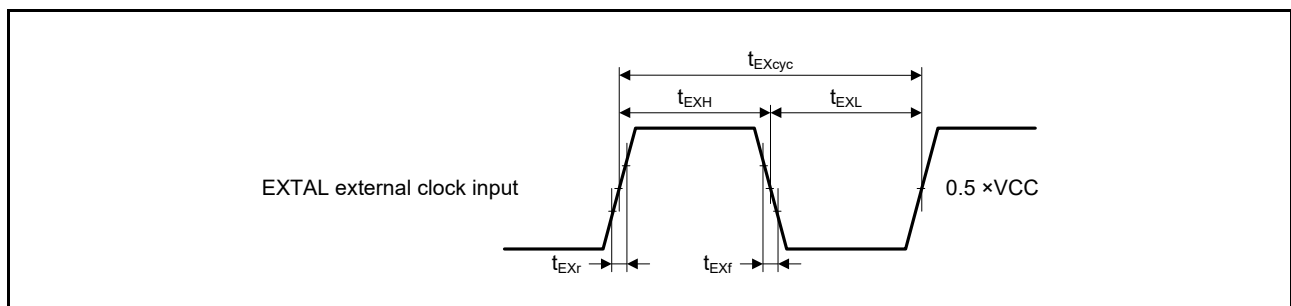


**Figure 2.3 BCLK Pin and SDCLK Pin Output Timing**

**Table 2.16 EXTAL Clock Timing**

Conditions:  $VCC = AVCC0 = AVCC1 = VCC\_USB = V_{BATT} = 2.7$  to  $3.6$  V,  $2.7$  V  $\leq$   $VREFH0 \leq AVCC0$ ,  
 $VSS = AVSS0 = AVSS1 = VREFL0 = VSS\_USB = 0$  V,  
 $T_a = T_{opr}$

Item	Symbol	Min.	Typ.	Max.	Unit	Test Conditions
EXTAL external clock input cycle time	$t_{EXcyc}$	41.66	—	—	ns	Figure 2.4
EXTAL external clock input frequency	$f_{EXMAIN}$	—	—	24	MHz	
EXTAL external clock input high pulse width	$t_{EXH}$	15.83	—	—	ns	
EXTAL external clock input low pulse width	$t_{EXL}$	15.83	—	—	ns	
EXTAL external clock rising time	$t_{EXr}$	—	—	5	ns	
EXTAL external clock falling time	$t_{EXf}$	—	—	5	ns	



**Figure 2.4 EXTAL External Clock Input Timing**

**Table 2.17 Main Clock Timing**

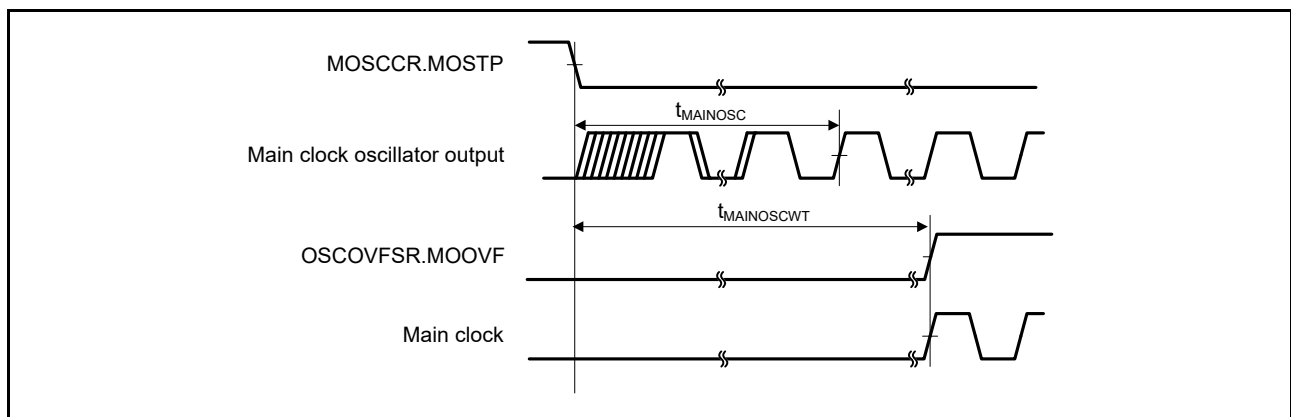
Conditions:  $VCC = AVCC0 = AVCC1 = VCC\_USB = V_{BATT} = 2.7$  to  $3.6$  V,  $2.7$  V  $\leq$   $VREFH0 \leq AVCC0$ ,  
 $VSS = AVSS0 = AVSS1 = VREFL0 = VSS\_USB = 0$  V,  
 $T_a = T_{opr}$

Item	Symbol	Min.	Typ.	Max.	Unit	Test Conditions
Main clock oscillation frequency	$f_{MAIN}$	8	—	24	MHz	Figure 2.5
Main clock oscillator stabilization time (crystal)	$t_{MAINOSC}$	—	—	—*1	ms	
Main clock oscillator stabilization wait time (crystal)	$t_{MAINOSCWT}$	—	—	—*2	ms	

Note 1. When using a main clock, ask the manufacturer of the oscillator to evaluate its oscillation. Refer to the results of evaluation provided by the manufacturer for the oscillation stabilization time.

Note 2. The number of cycles selected by the value of the  $MOSCWTCR.MSTS[7:0]$  bits determines the main clock oscillation stabilization wait time in accord with the formula below.

$$t_{MAINOSCWT} = [(MSTS[7:0] \text{ bits} \times 32) + 10] / f_{LOCO}$$

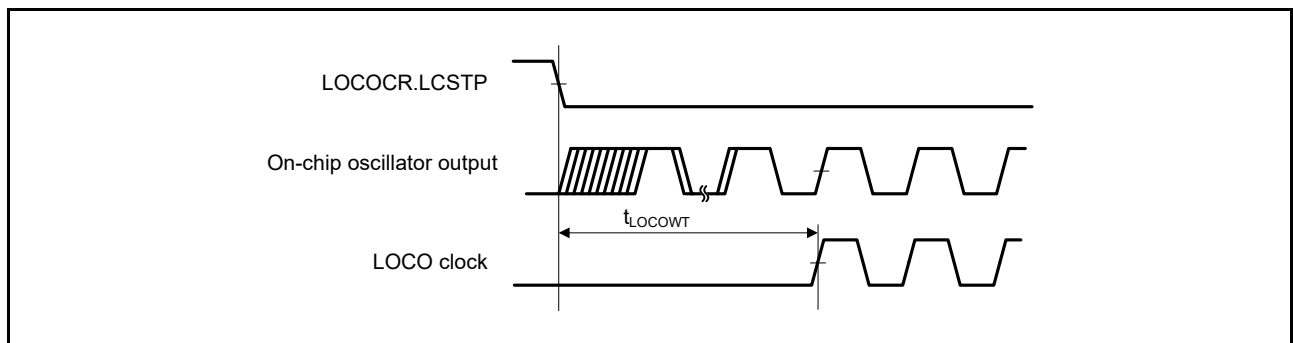


**Figure 2.5 Main Clock Oscillation Start Timing**

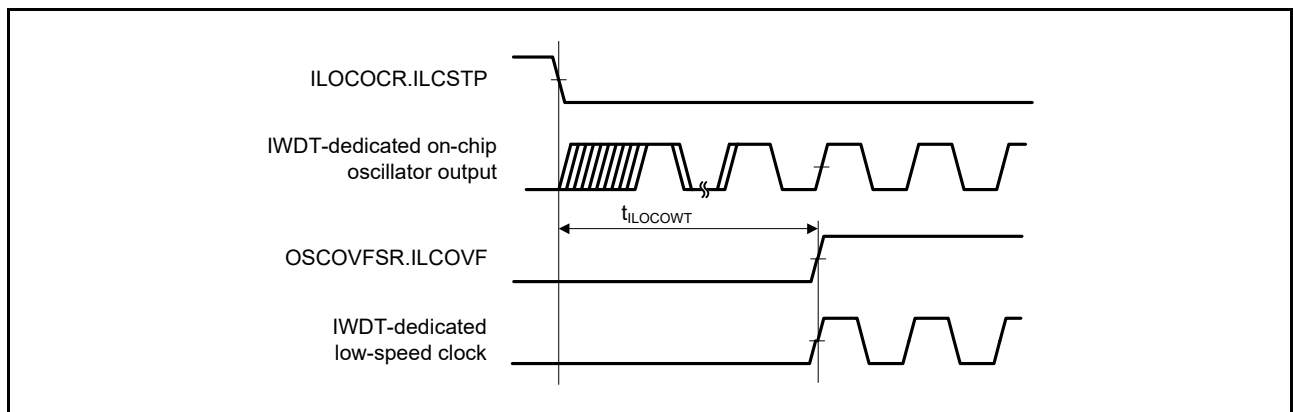
**Table 2.18 LOCO and IWDT-Dedicated Low-Speed Clock Timing**

Conditions:  $V_{CC} = AVCC0 = AVCC1 = V_{CC\_USB} = V_{BATT} = 2.7$  to  $3.6$  V,  $2.7$  V  $\leq V_{REFH0} \leq AVCC0$ ,  
 $V_{SS} = AVSS0 = AVSS1 = V_{REFL0} = V_{SS\_USB} = 0$  V,  
 $T_a = T_{opr}$

Item	Symbol	Min.	Typ.	Max.	Unit	Test Conditions
LOCO clock cycle time	$t_{Lcyc}$	3.78	4.16	4.63	$\mu$ s	
LOCO clock oscillation frequency	$f_{LOCO}$	216	240	264	kHz	
LOCO clock oscillation stabilization wait time	$t_{LOCOWT}$	—	—	44	$\mu$ s	Figure 2.6
IWDT-dedicated low-speed clock cycle time	$t_{iLcyc}$	7.57	8.33	9.26	$\mu$ s	
IWDT-dedicated low-speed clock oscillation frequency	$f_{iLOCO}$	108	120	132	kHz	
IWDT-dedicated low-speed clock oscillation stabilization wait time	$t_{iLOCOWT}$	—	142	190	$\mu$ s	Figure 2.7



**Figure 2.6 LOCO Clock Oscillation Start Timing**

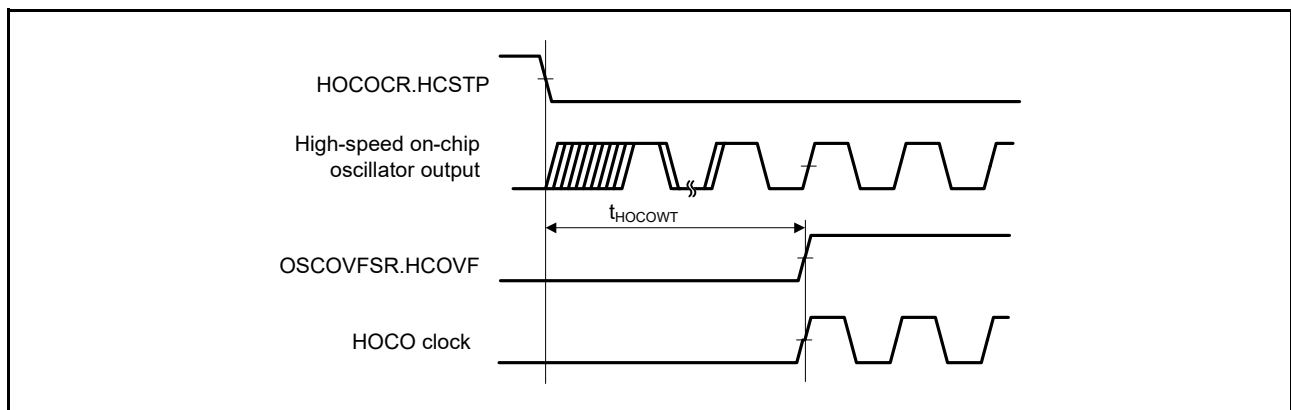


**Figure 2.7 IWDT-dedicated Low-Speed Clock Oscillation Start Timing**

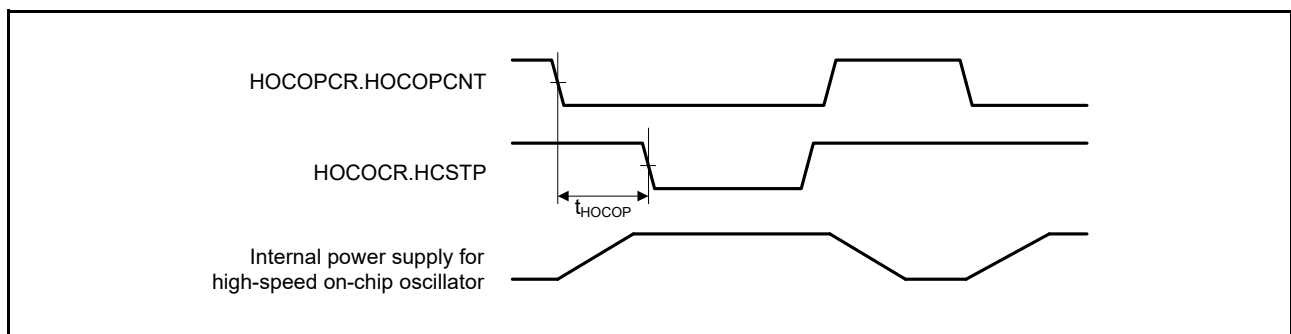
**Table 2.19 HOCO Clock Timing**

Conditions:  $VCC = AVCC0 = AVCC1 = VCC\_USB = V_{BATT} = 2.7$  to  $3.6$  V,  $2.7$  V  $\leq VREFH0 \leq AVCC0$ ,  
 $VSS = AVSS0 = AVSS1 = VREFL0 = VSS\_USB = 0$  V,  
 $T_a = T_{opr}$

Item	Symbol	Min.	Typ.	Max.	Unit	Test Conditions		
HOCO clock oscillation frequency	$f_{HOCO}$	15.61	16	16.39	MHz	$-20^{\circ}\text{C} \leq T_a$		
		17.56	18	18.44				
		19.52	20	20.48				
				15.52	16	16.48		$-40^{\circ}\text{C} \leq T_a < -20^{\circ}\text{C}$
				17.46	18	18.54		
				19.4	20	20.6		
HOCO clock oscillation stabilization wait time	$t_{HOCOWT}$	—	105	149	$\mu\text{s}$	Figure 2.8		
HOCO clock power supply stabilization time	$t_{HOCOP}$	—	—	150	$\mu\text{s}$	Figure 2.9		



**Figure 2.8 HOCO Clock Oscillation Start Timing (Oscillation is Started by Setting the HOCOCR.HCSTP Bit)**



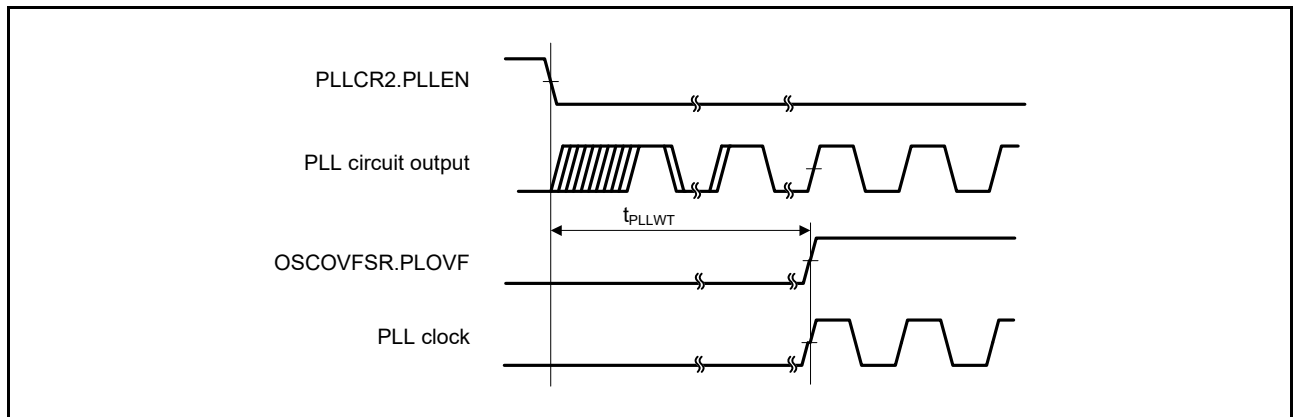
**Figure 2.9 High-Speed On-Chip Oscillator Power Supply Control Timing**



**Table 2.20 PLL Clock Timing**

Conditions:  $V_{CC} = AV_{CC0} = AV_{CC1} = V_{CC\_USB} = V_{BATT} = 2.7$  to  $3.6$  V,  $2.7$  V  $\leq V_{REFH0} \leq AV_{CC0}$ ,  
 $V_{SS} = AV_{SS0} = AV_{SS1} = V_{REFL0} = V_{SS\_USB} = 0$  V,  
 $T_a = T_{opr}$

Item	Symbol	Min.	Typ.	Max.	Unit	Test Conditions
PLL clock oscillation frequency	$f_{PLL}$	120	—	240	MHz	
PLL clock oscillation stabilization wait time	$t_{PLLWT}$	—	259	320	$\mu$ s	Figure 2.10



**Figure 2.10 PLL Clock Oscillation Start Timing**

**Table 2.21 Sub-Clock Timing**

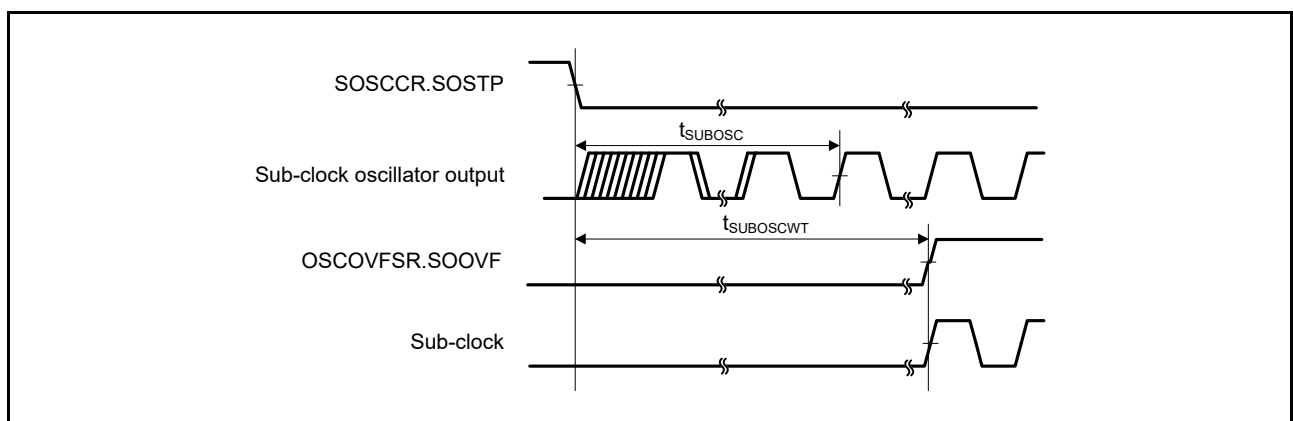
Conditions:  $V_{CC} = AV_{CC0} = AV_{CC1} = V_{CC\_USB} = 2.7$  to  $3.6$  V,  $2.7$  V  $\leq V_{REFH0} \leq AV_{CC0}$ ,  
 $V_{SS} = AV_{SS0} = AV_{SS1} = V_{REFL0} = V_{SS\_USB} = 0$  V,  
 $V_{BATT} = 1.62$  to  $3.6$  V,  $T_a = T_{opr}$

Item	Symbol	Min.	Typ.	Max.	Unit	Test Conditions
Sub-clock oscillation frequency	$f_{SUB}$	—	32.768	—	kHz	
Sub-clock oscillation stabilization time	$t_{SUBOSC}$	—	—	*1	s	Figure 2.11
Sub-clock oscillation stabilization wait time	$t_{SUBOSCWT}$	—	—	*2	s	

Note 1. When using a sub-clock, ask the manufacturer of the oscillator to evaluate its oscillation. Refer to the results of evaluation provided by the manufacturer for the oscillation stabilization time.

Note 2. The number of cycles selected by the value of the  $SOSCCR.SSTS[7:0]$  bits determines the sub-clock oscillation stabilization wait time in accord with the formula below.

$$t_{SUBOSCWT} = [(SSTS[7:0] \text{ bits} \times 16384) + 10] / f_{Loco}$$



**Figure 2.11 Sub-Clock Oscillation Start Timing**

## 2.4.3 Timing of Recovery from Low Power Consumption Modes

**Table 2.22 Timing of Recovery from Low Power Consumption Modes (1)**

Conditions:  $VCC = AVCC0 = AVCC1 = VCC\_USB = V_{BATT} = 2.7$  to  $3.6$  V,  $2.7$  V  $\leq$   $VREFH0 \leq AVCC0$ ,  
 $VSS = AVSS0 = AVSS1 = VREFL0 = VSS\_USB = 0$  V,  
 $T_a = T_{opr}$

Item			Symbol	Min.	Typ.	Max.		Unit	Test Conditions
						$t_{SBYOSCWT}^{*2}$	$t_{SBYSEQ}^{*3}$		
Recovery time from software standby mode *1	Crystal resonator connected to main clock oscillator	Main clock oscillator operating	$t_{SBYMC}$	—	—	$\{(MSTS[7:0] \text{ bit} \times 32) + 76\} / 0.216$	$100 + 7 / f_{ICLK} + 2n / f_{MAIN}$	$\mu$ s	Figure 2.12
		Main clock oscillator and PLL circuit operating	$t_{SBYPC}$			$\{(MSTS[7:0] \text{ bit} \times 32) + 138\} / 0.216$	$100 + 7 / f_{ICLK} + 2n / f_{PLL}$		
	External clock input to main clock oscillator	Main clock oscillator operating	$t_{SBYEX}$			352	$100 + 7 / f_{ICLK} + 2n / f_{EXMAIN}$		
		Main clock oscillator and PLL circuit operating	$t_{SBYPE}$			639	$100 + 7 / f_{ICLK} + 2n / f_{PLL}$		
	Sub-clock oscillator operating		$t_{SBYSC}$			$\{(SSTS[7:0] \text{ bit} \times 16384) + 13\} / 0.216 + 10 / f_{FCLK}$	$100 + 4 / f_{ICLK} + 2n / f_{SUE}$		
	High-speed on-chip oscillator operating	High-speed on-chip oscillator operating	$t_{SBYHO}$			454	$100 + 7 / f_{ICLK} + 2n / f_{HOCCO}$		
		High-speed on-chip oscillator operating and PLL circuit operating	$t_{SBYPH}$			741	$100 + 7 / f_{ICLK} + 2n / f_{PLL}$		
	Low-speed on-chip oscillator operating*4		$t_{SBYLO}$			338	$100 + 7 / f_{ICLK} + 2n / f_{LOCO}$		

Note 1. The time for recovery from software standby mode is determined by the value obtained by adding the oscillation stabilization waiting time ( $t_{SBYOSCWT}$ ) and the time required for operations by the software standby release sequencer ( $t_{SBYSEQ}$ ).

Note 2. When several oscillators were running before the transition to software standby, the greatest value of the oscillation stabilization waiting time  $t_{SBYOSCWT}$  is selected.

Note 3. For n, the greatest value is selected from among the internal clock division settings.

Note 4. This condition applies when  $f_{ICLK}:f_{FCLK} = 1:1, 2:1, \text{ or } 4:1$ .

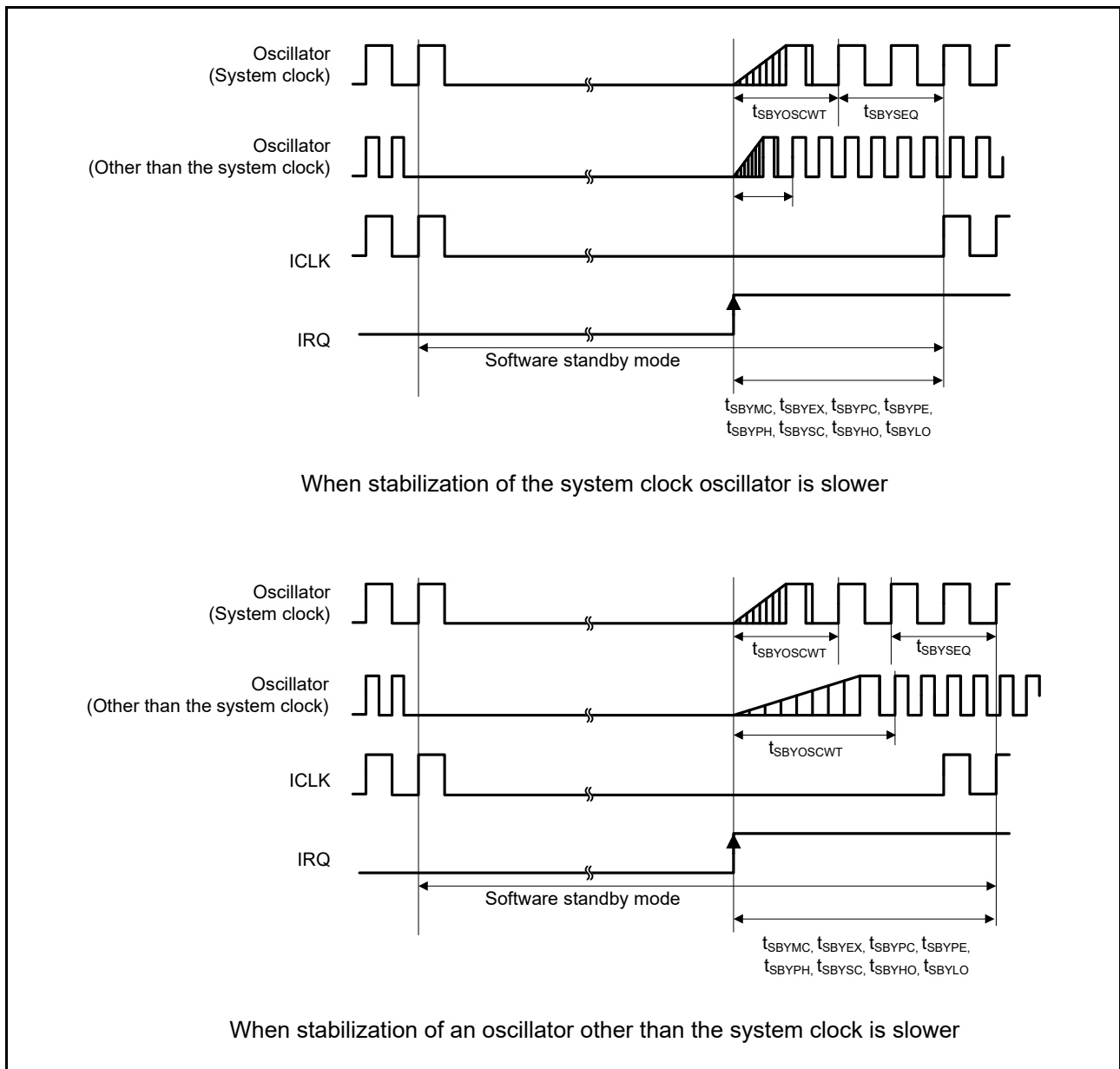
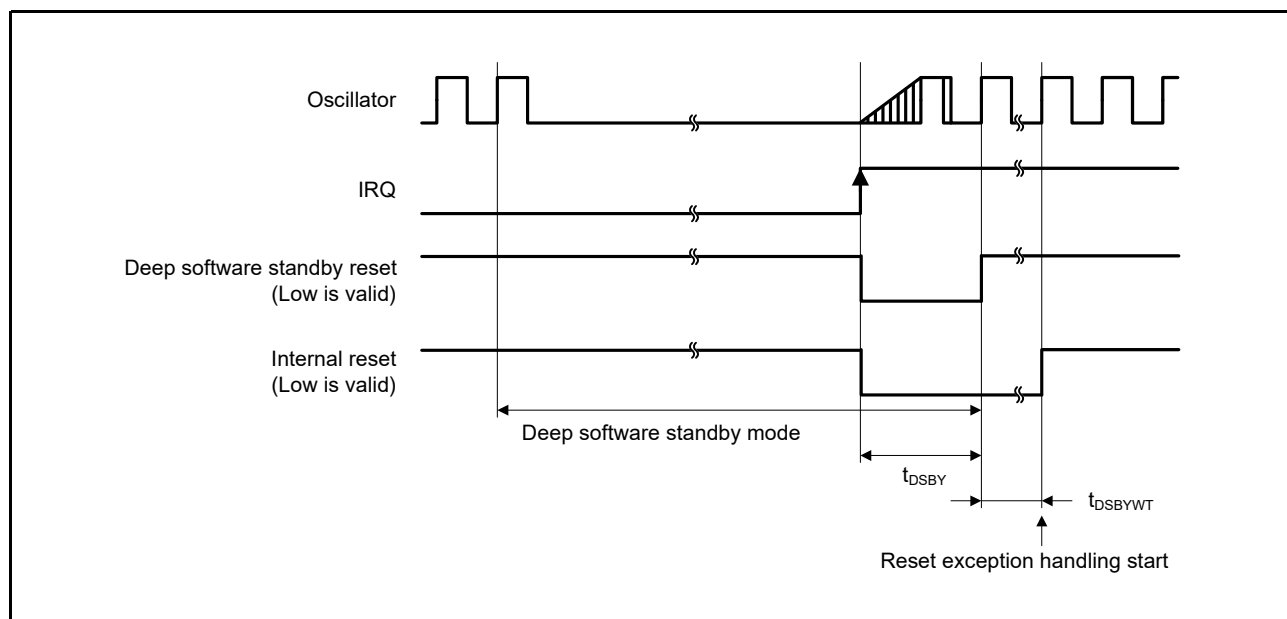


Figure 2.12 Software Standby Mode Recovery Timing

**Table 2.23 Timing of Recovery from Low Power Consumption Modes (2)**

Conditions:  $V_{CC} = AV_{CC0} = AV_{CC1} = V_{CC\_USB} = V_{BATT} = 2.7$  to  $3.6$  V,  $2.7$  V  $\leq V_{REFH0} \leq AV_{CC0}$ ,  
 $V_{SS} = AV_{SS0} = AV_{SS1} = V_{REFL0} = V_{SS\_USB} = 0$  V,  
 $T_a = T_{opr}$

Item	Symbol	Min.	Typ.	Max.	Unit	Test Conditions
Recovery time from deep software standby mode	$t_{DSBY}$	—	—	0.9	ms	Figure 2.13
Wait time after recovery from deep software standby mode	$t_{DSBYWT}$	23	—	24	$t_{Lcyc}$	



**Figure 2.13 Deep Software Standby Mode Recovery Timing**

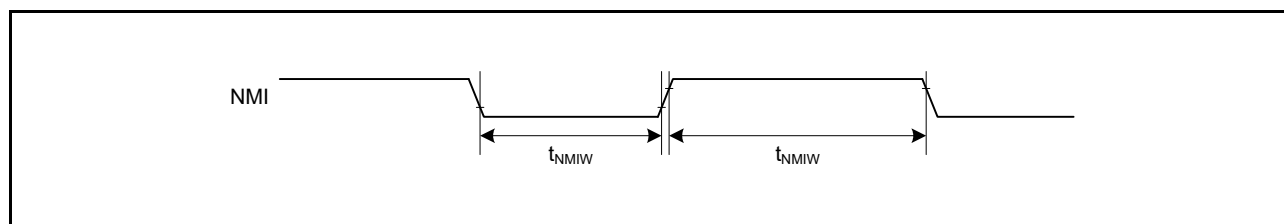
### 2.4.4 Control Signal Timing

**Table 2.24 Control Signal Timing**

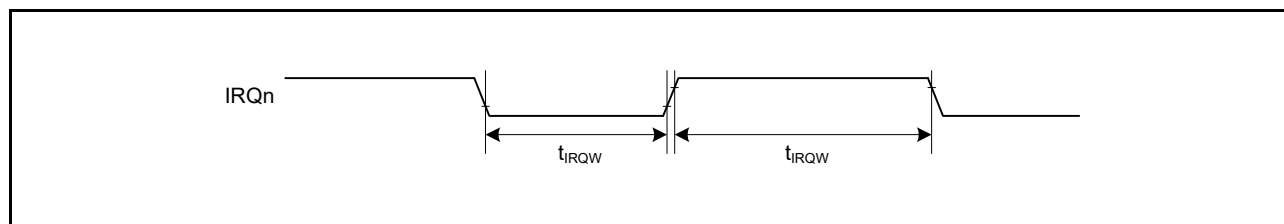
Conditions:  $VCC = AVCC0 = AVCC1 = VCC\_USB = V_{BATT} = 2.7$  to  $3.6$  V,  $2.7$  V  $\leq$   $VREFH0 \leq AVCC0$ ,  
 $VSS = AVSS0 = AVSS1 = VREFL0 = VSS\_USB = 0$  V,  
 $PCLKB = 8$  to  $60$  MHz,  $T_a = T_{opr}$

Item	Symbol	Min.*1	Typ.	Max.	Unit	Test Conditions*1
NMI pulse width	$t_{NMIW}$	200	—	—	ns	$2 \times t_{PBcyc} \leq 200$ ns, Figure 2.14
		$2 \times t_{PBcyc}$	—	—		$2 \times t_{PBcyc} > 200$ ns, Figure 2.14
IRQ pulse width	$t_{IRQW}$	200	—	—	ns	$2 \times t_{PBcyc} \leq 200$ ns, Figure 2.15
		$2 \times t_{PBcyc}$	—	—		$2 \times t_{PBcyc} > 200$ ns, Figure 2.15

Note 1.  $t_{PBcyc}$ : PCLKB cycle



**Figure 2.14 NMI Interrupt Input Timing**



**Figure 2.15 IRQ Interrupt Input Timing**

## 2.4.5 Bus Timing

**Table 2.25 Bus Timing**

Conditions:  $V_{CC} = AVCC0 = AVCC1 = V_{CC\_USB} = V_{BATT} = 2.7$  to  $3.6$  V,  $2.7$  V  $\leq V_{REFH0} \leq AVCC0$ ,  
 $V_{SS} = AVSS0 = AVSS1 = V_{REFL0} = V_{SS\_USB} = 0$  V,  
 $ICLK = PCLKA = 8$  to  $120$  MHz,  $PCLKB = BCLK = SDCLK = 8$  to  $60$  MHz,  $T_a = T_{opr}$ ,  
 Output load conditions:  $V_{OH} = 0.5 \times V_{CC}$ ,  $V_{OL} = 0.5 \times V_{CC}$ ,  $C = 30$  pF,  
 High-drive output is selected by the driving ability control register.

Item	Symbol	Min.	Max.	Unit	Test Conditions
Address delay time	$t_{AD}$	—	12.5	ns	Figure 2.16 to Figure 2.21
Byte control delay time	$t_{BCD}$	—	12.5	ns	
CS# delay time	$t_{CSD}$	—	12.5	ns	
ALE delay time	$t_{ALEd}$	—	12.5	ns	
RD# delay time	$t_{RSD}$	—	12.5	ns	
Read data setup time	$t_{RDS}$	12.5	—	ns	
Read data hold time	$t_{RDH}$	0	—	ns	
WR# delay time	$t_{WRD}$	—	12.5	ns	
Write data delay time	$t_{WDD}$	—	12.5	ns	
Write data hold time	$t_{WDH}$	0	—	ns	
WAIT# setup time	$t_{WTS}$	12.5	—	ns	
WAIT# hold time	$t_{WTH}$	0	—	ns	
Address delay time 2 (SDRAM)	$t_{AD2}$	1	12.5	ns	Figure 2.23 to Figure 2.29
CS# delay time 2 (SDRAM)	$t_{CSD2}$	1	12.5	ns	
DQM delay time (SDRAM)	$t_{DQMD}$	1	12.5	ns	
CKE delay time (SDRAM)	$t_{CKED}$	1	12.5	ns	
Read data setup time 2 (SDRAM)	$t_{RDS2}$	10	—	ns	
Read data hold time 2 (SDRAM)	$t_{RDH2}$	0	—	ns	
Write data delay time 2 (SDRAM)	$t_{WDD2}$	—	12.5	ns	
Write data hold time 2 (SDRAM)	$t_{WDH2}$	1	—	ns	
WE# delay time (SDRAM)	$t_{WED}$	1	12.5	ns	
RAS# delay time (SDRAM)	$t_{RASD}$	1	12.5	ns	
CAS# delay time (SDRAM)	$t_{CASD}$	1	12.5	ns	

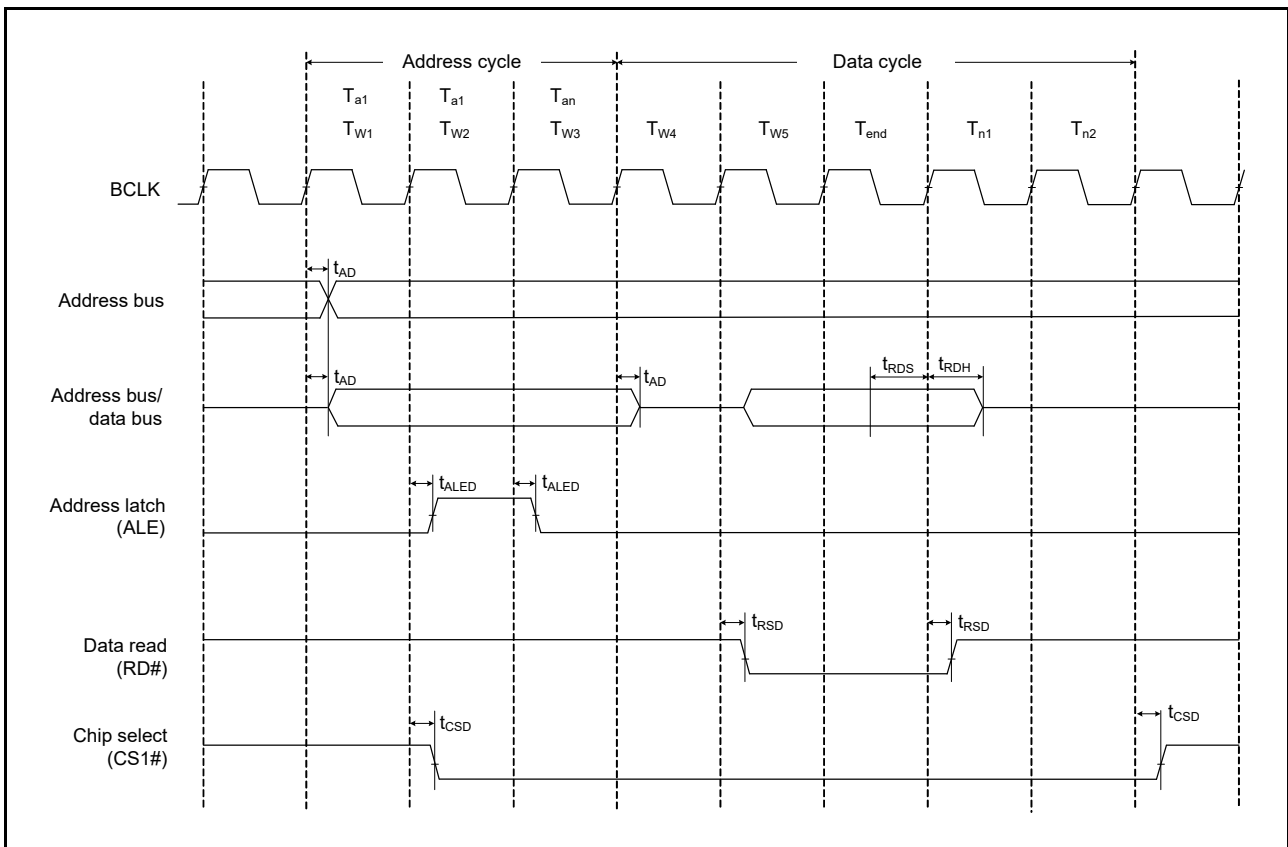


Figure 2.16 Address/Data Multiplexed Bus Read Access Timing

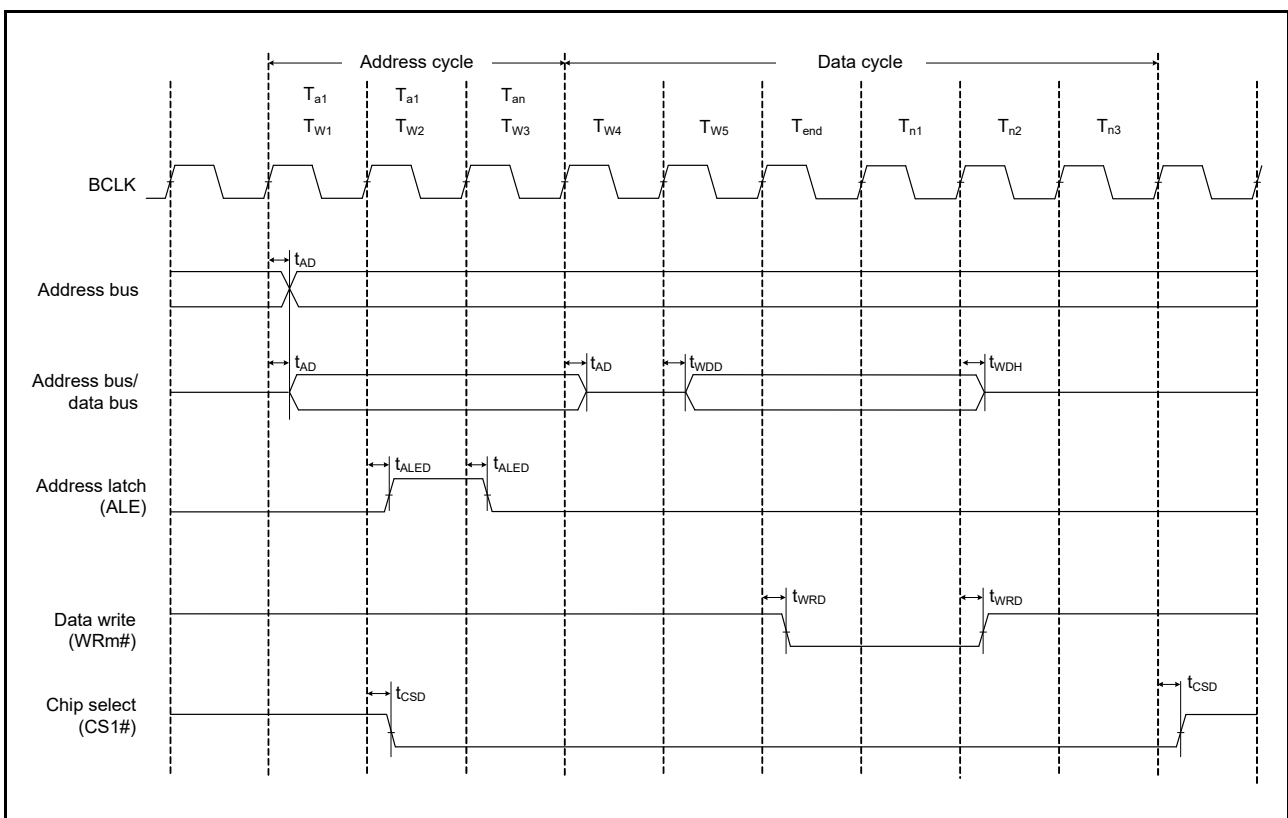


Figure 2.17 Address/Data Multiplexed Bus Write Access Timing

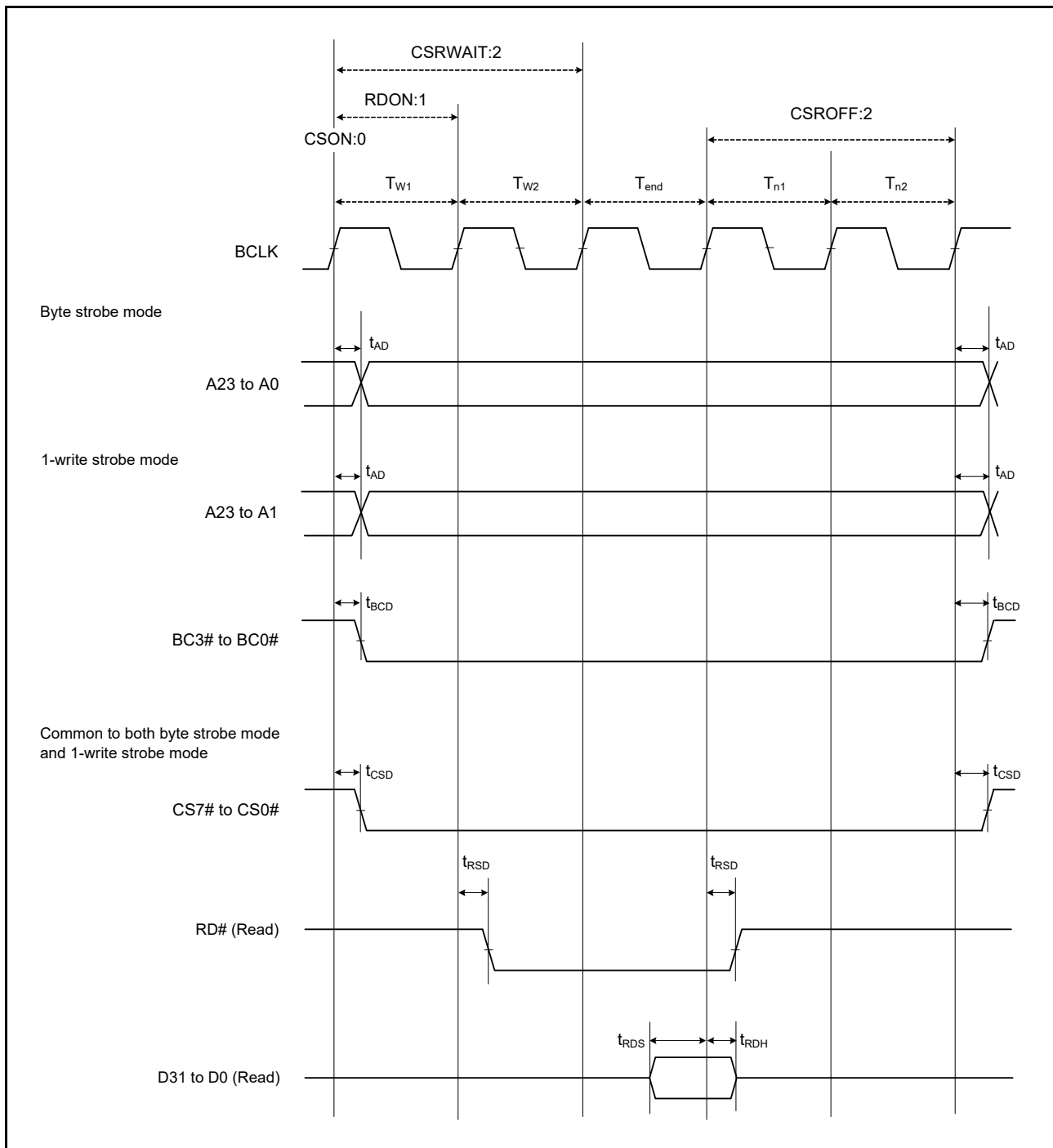


Figure 2.18 External Bus Timing/Normal Read Cycle (Bus Clock Synchronized)



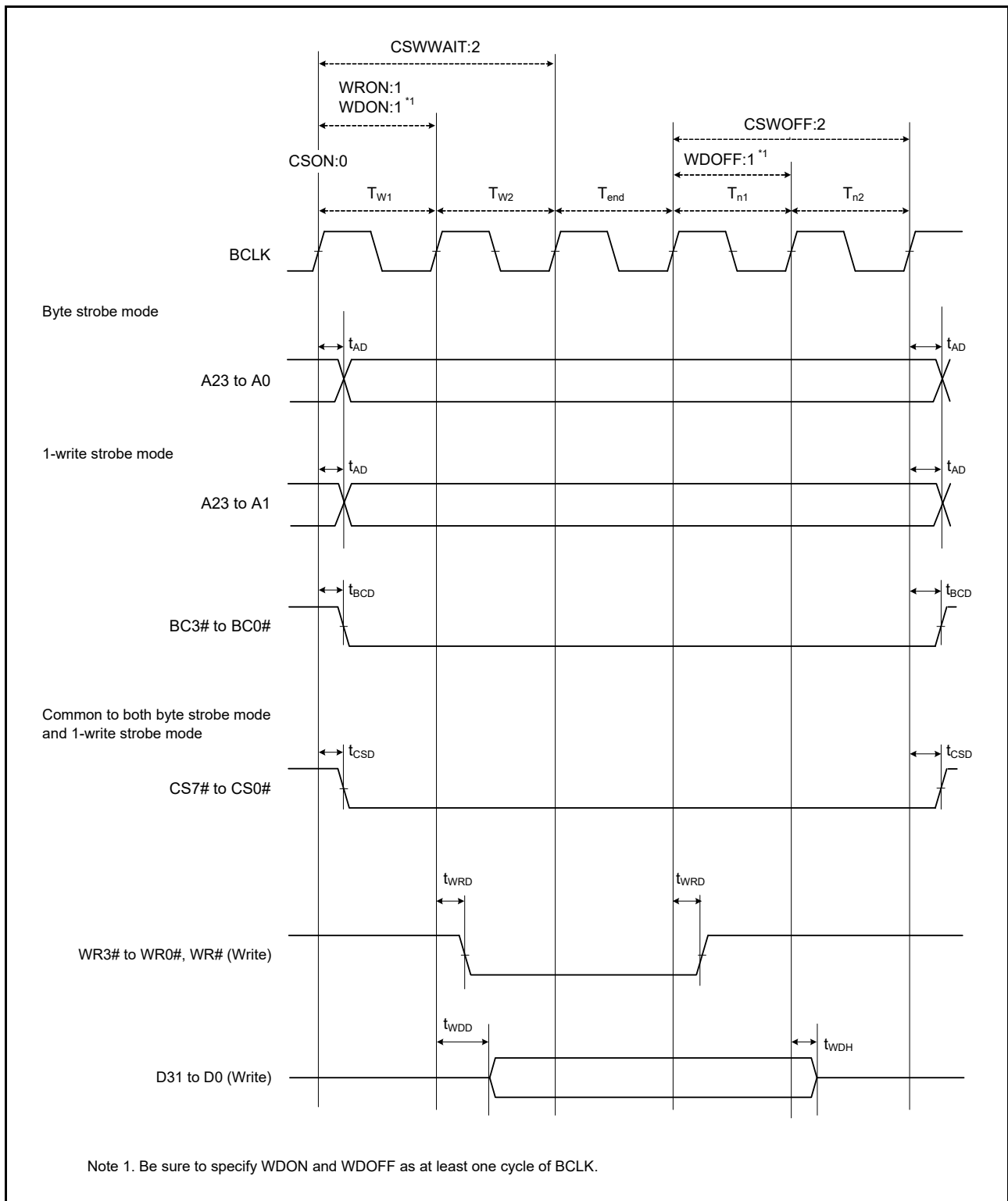


Figure 2.19 External Bus Timing/Normal Write Cycle (Bus Clock Synchronized)

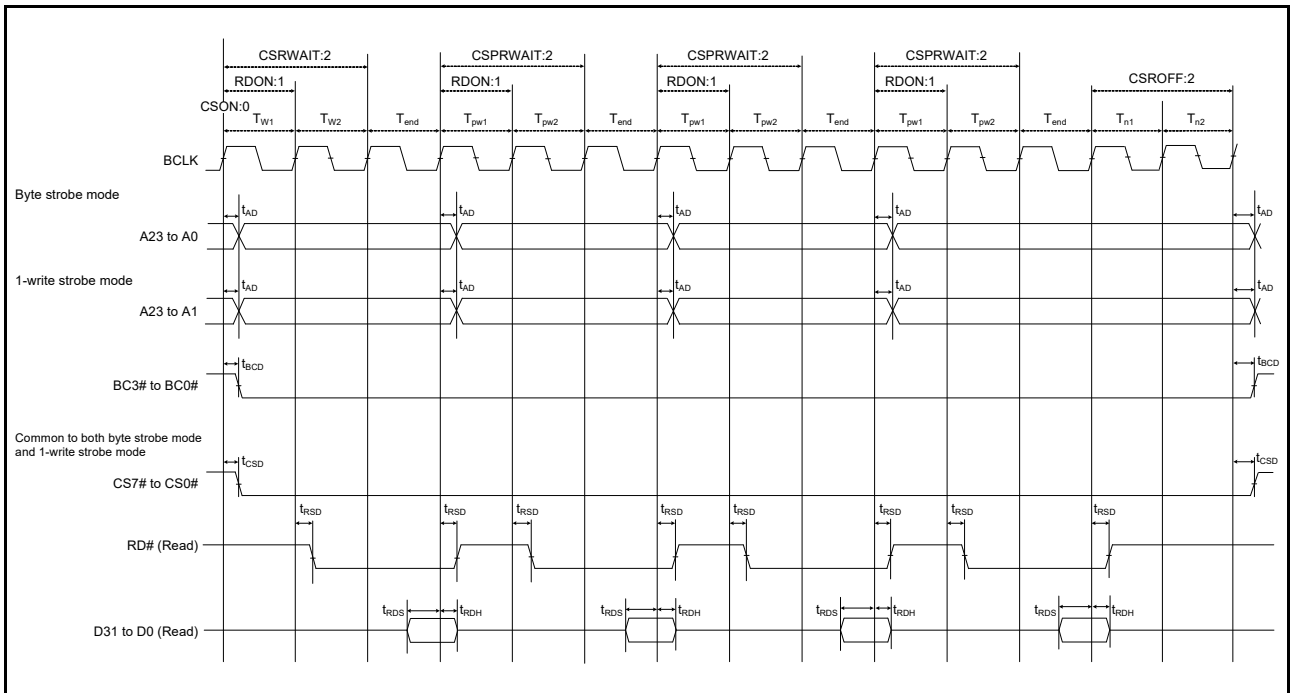


Figure 2.20 External Bus Timing/Page Read Cycle (Bus Clock Synchronized)

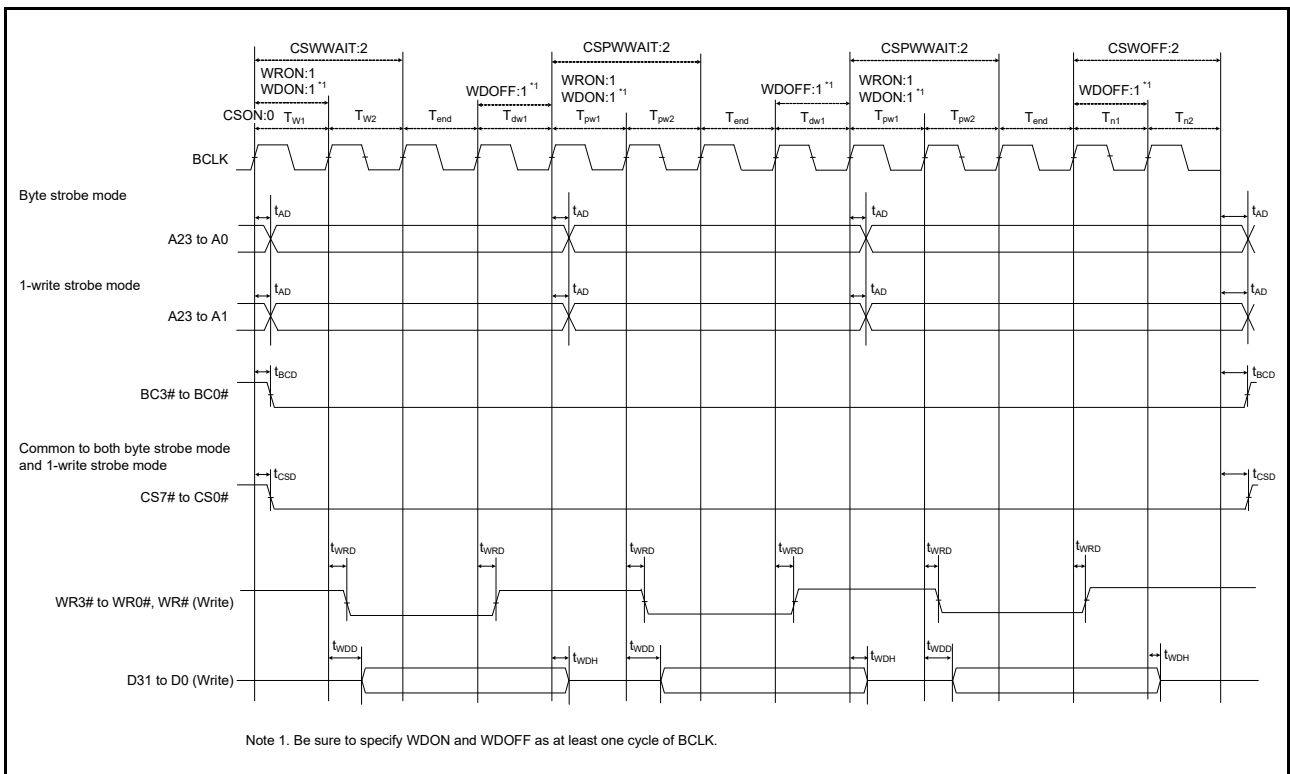


Figure 2.21 External Bus Timing/Page Write Cycle (Bus Clock Synchronized)

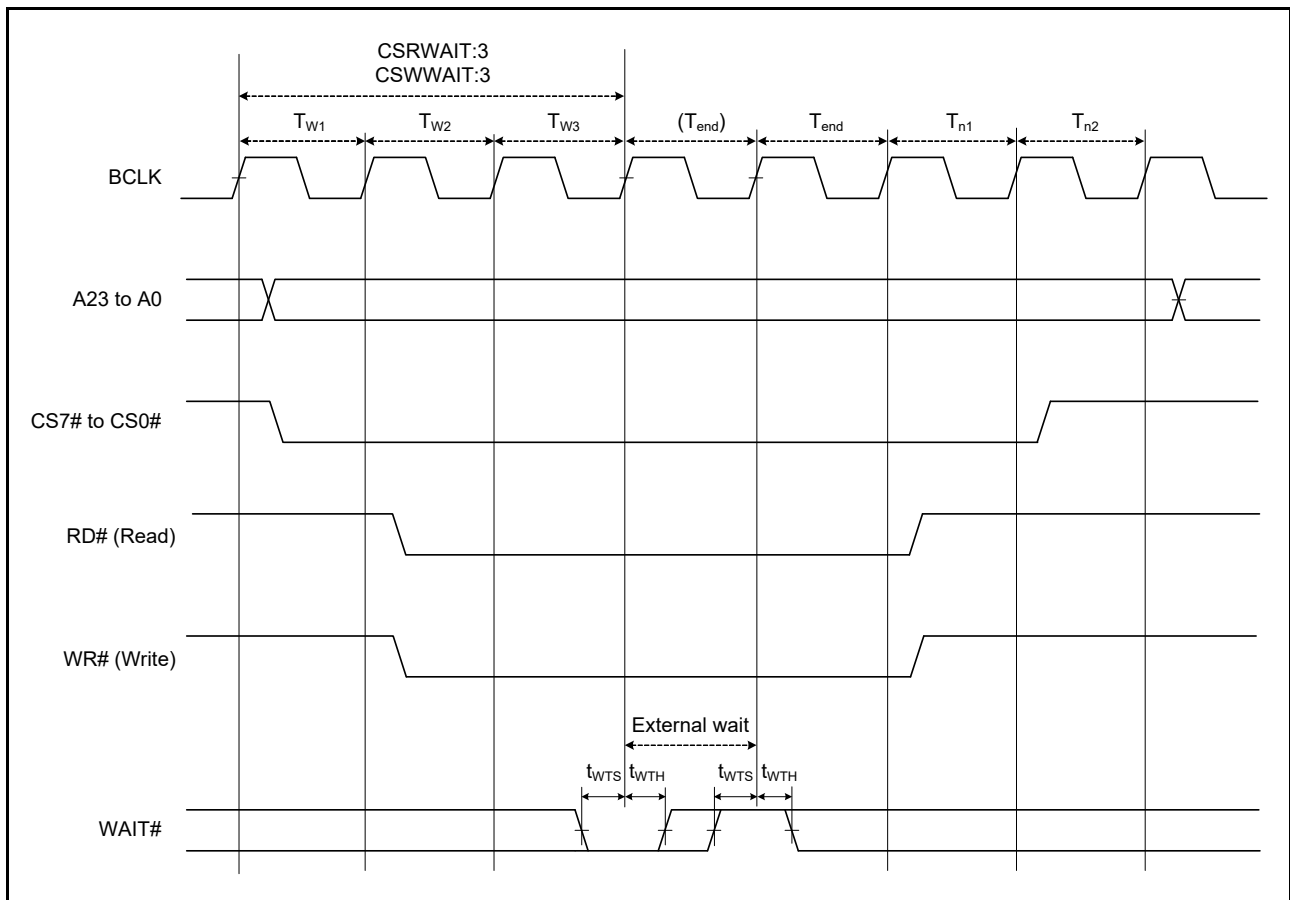


Figure 2.22 External Bus Timing/External Wait Control

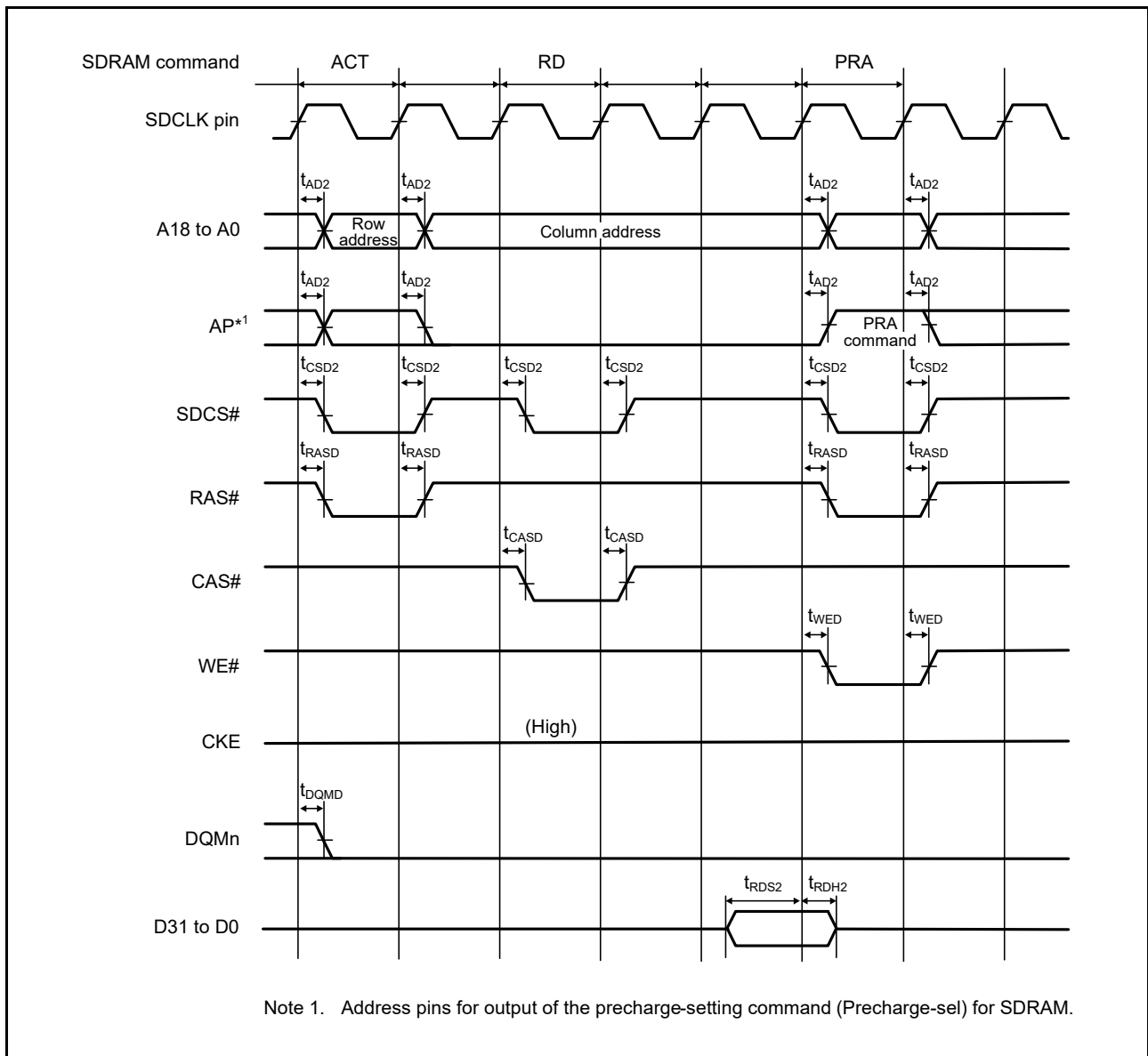


Figure 2.23 SDRAM Space Single Read Bus Timing

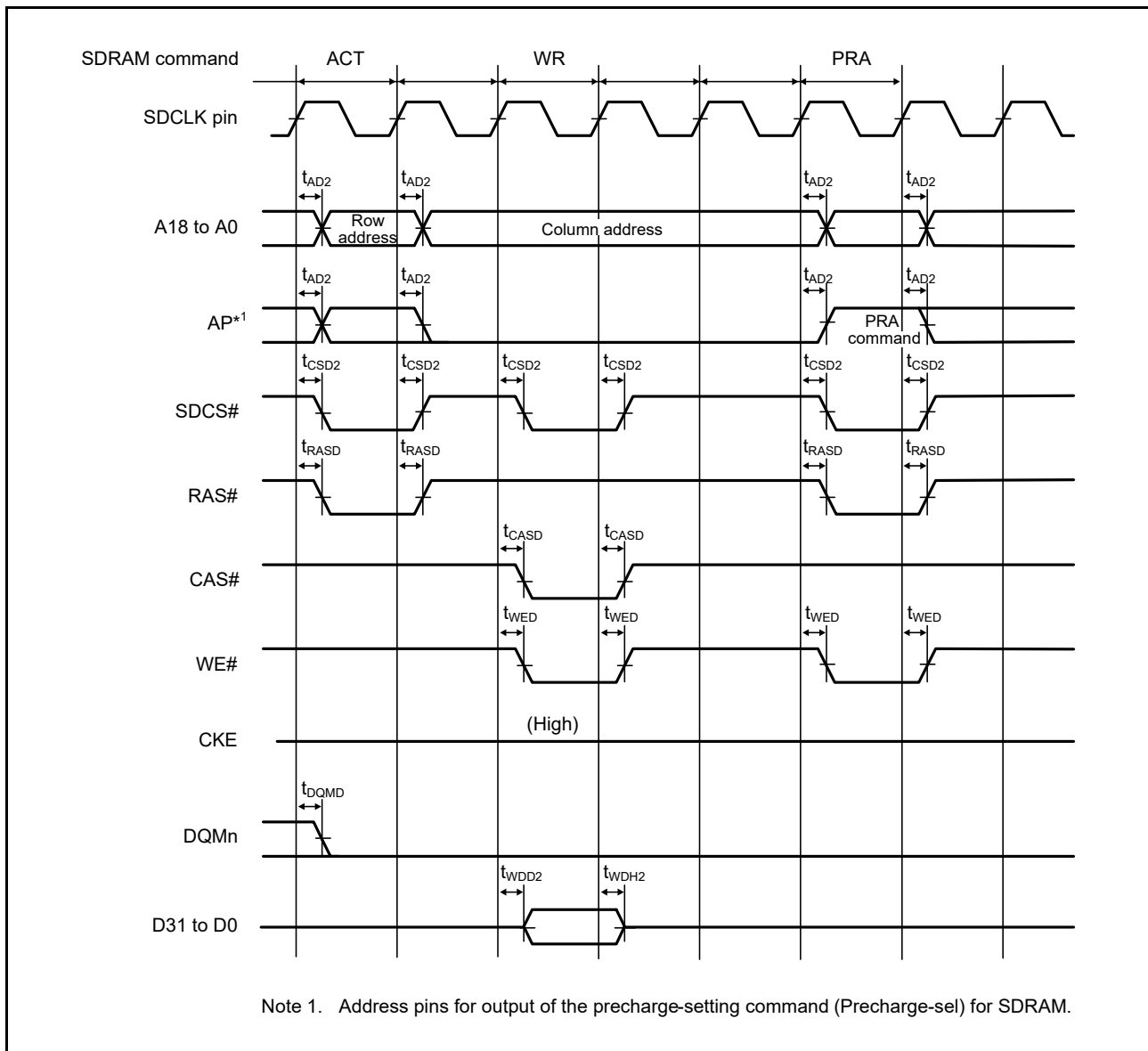


Figure 2.24 SDRAM Space Single Write Bus Timing

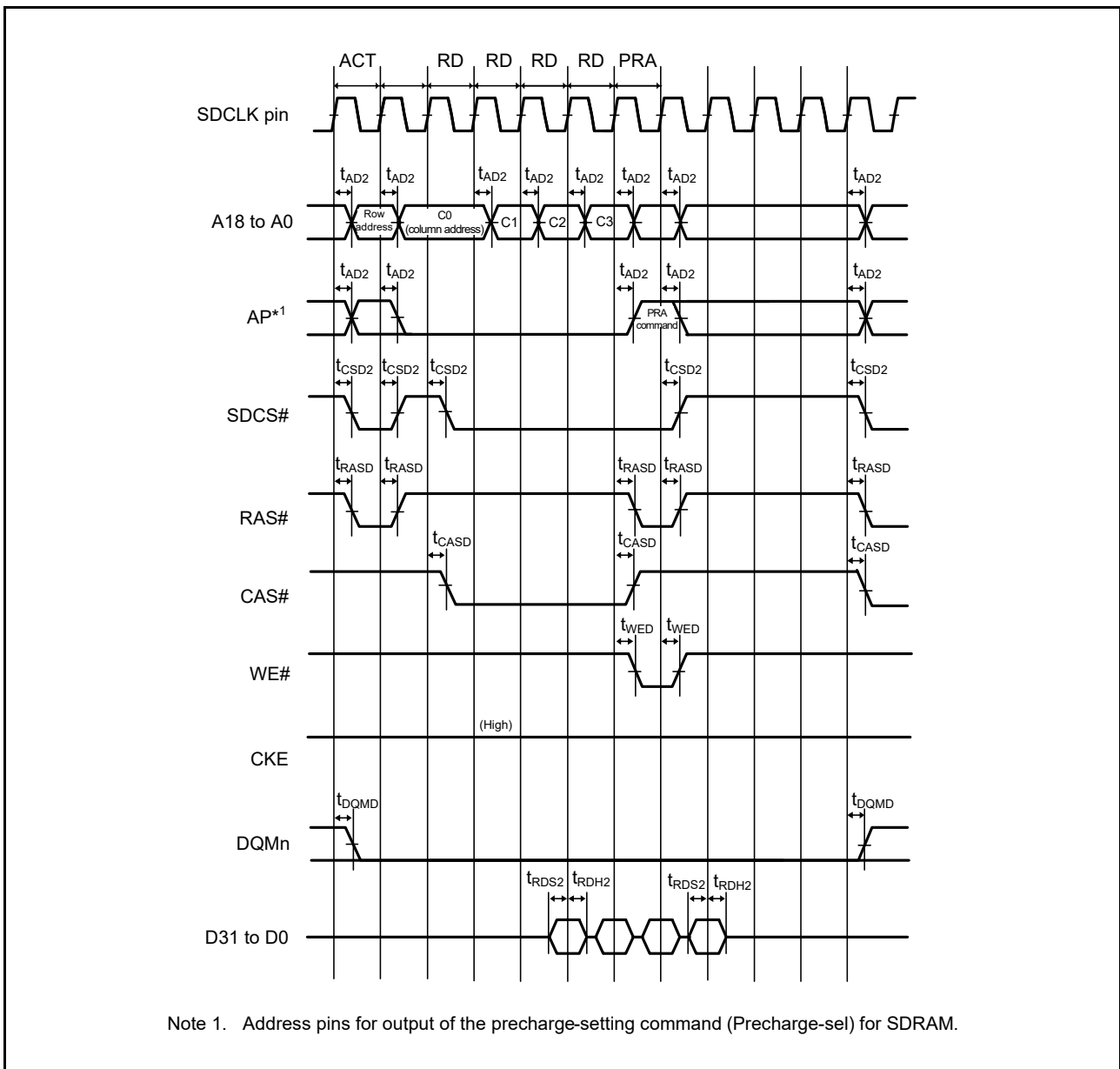


Figure 2.25 SDRAM Space Multiple Read Bus Timing

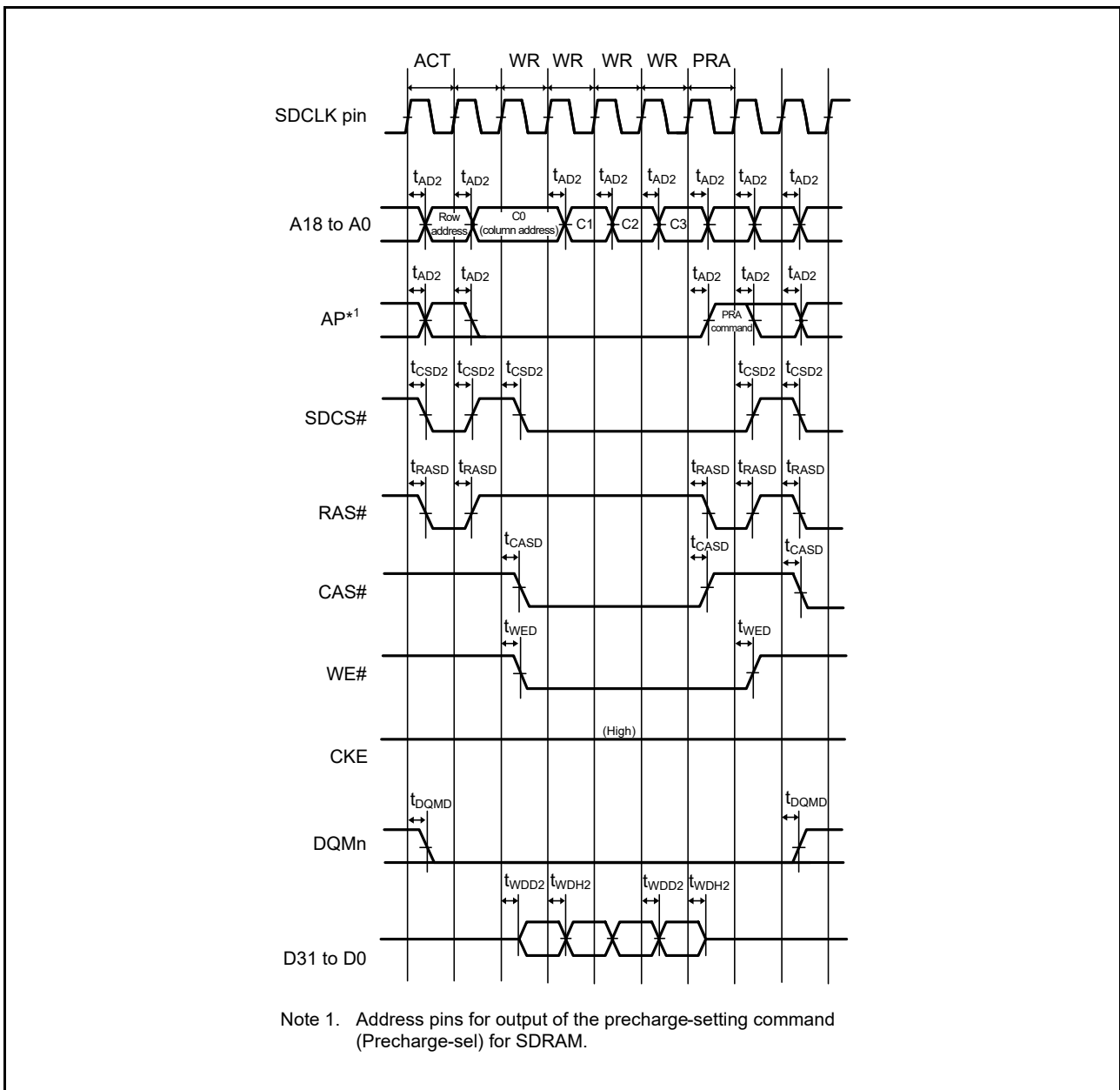


Figure 2.26 SDRAM Space Multiple Write Bus Timing

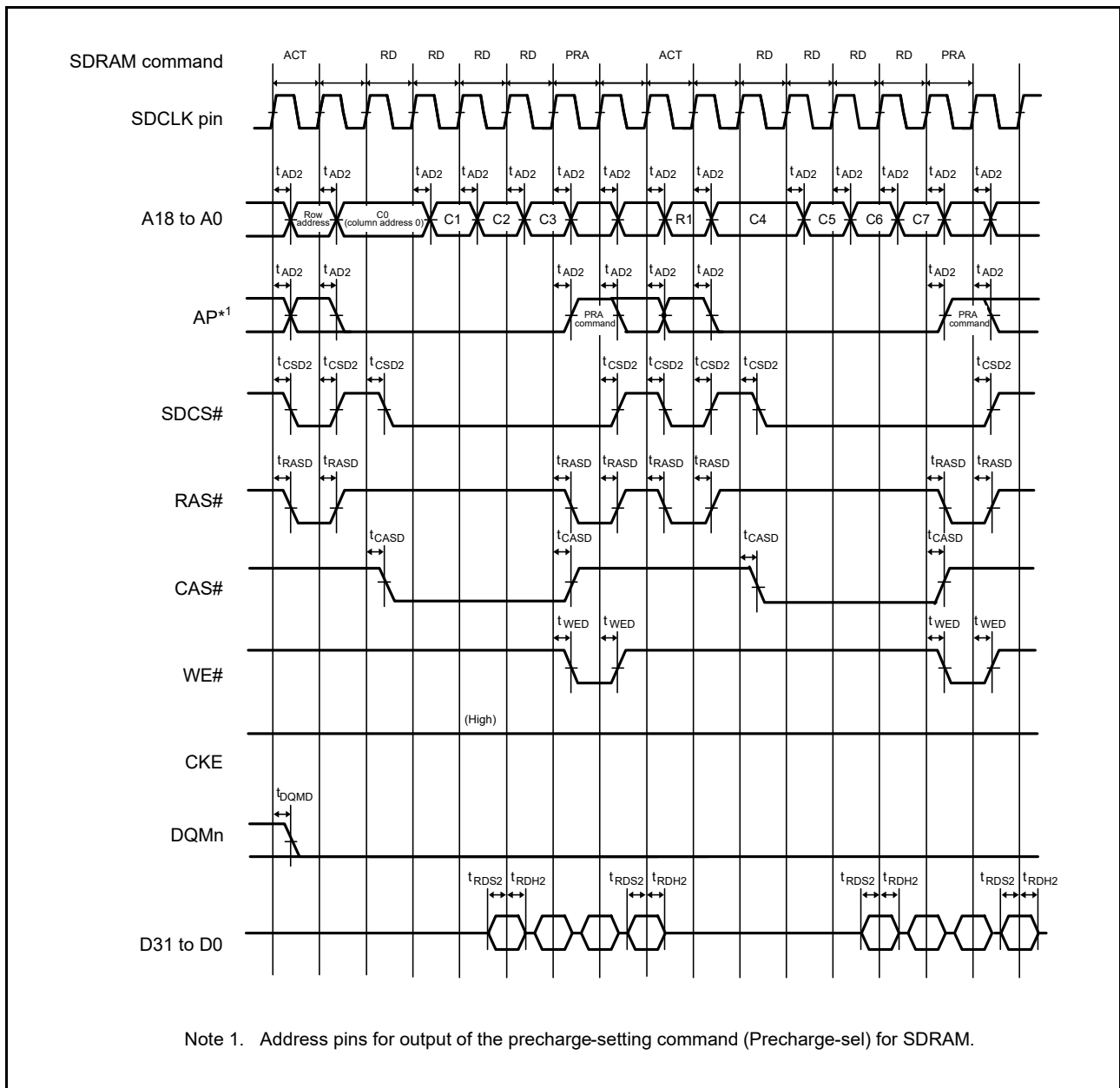


Figure 2.27 SDRAM Space Multiple Read Line Stride Bus Timing



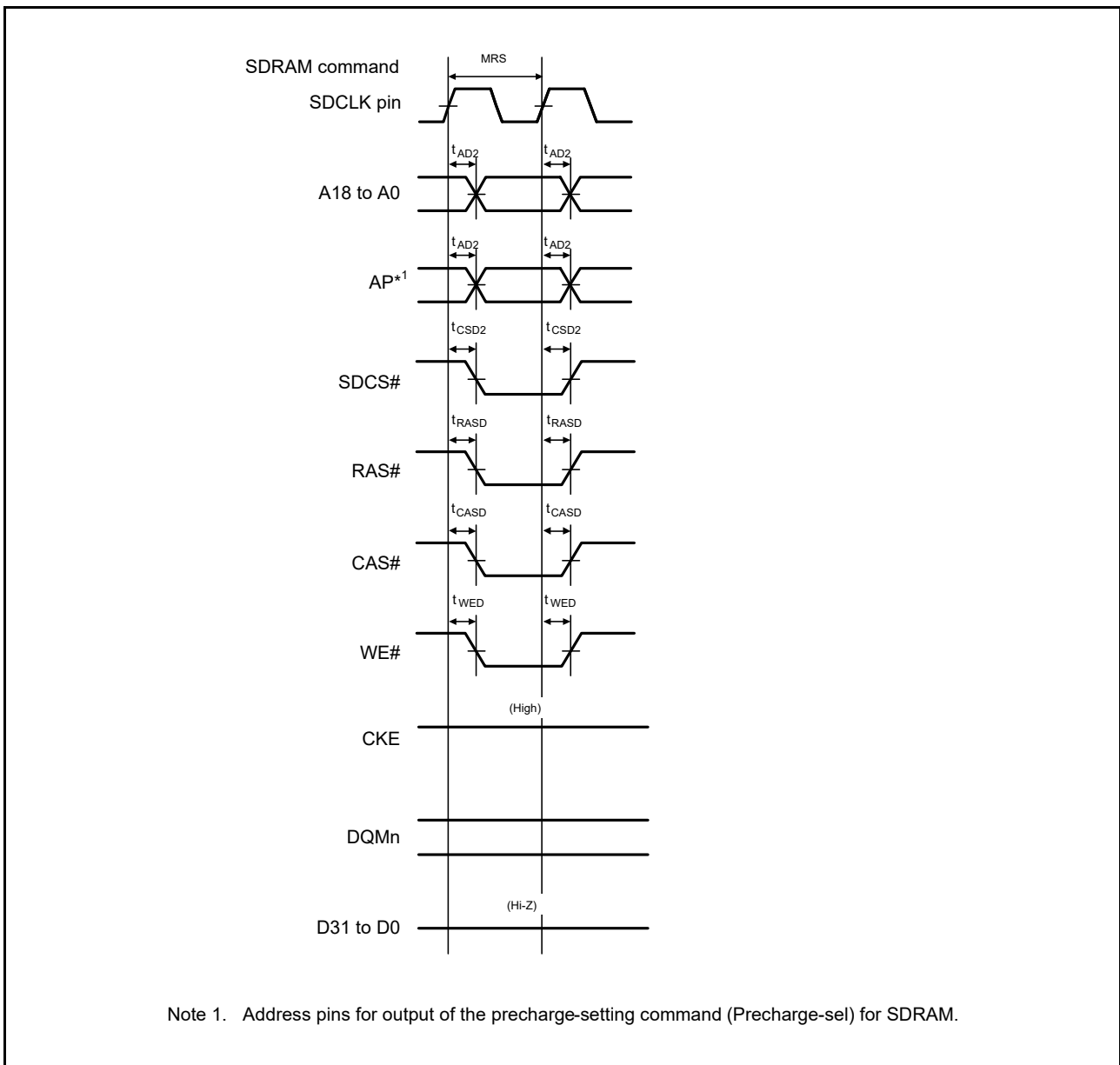


Figure 2.28 SDRAM Space Mode Register Set Bus Timing

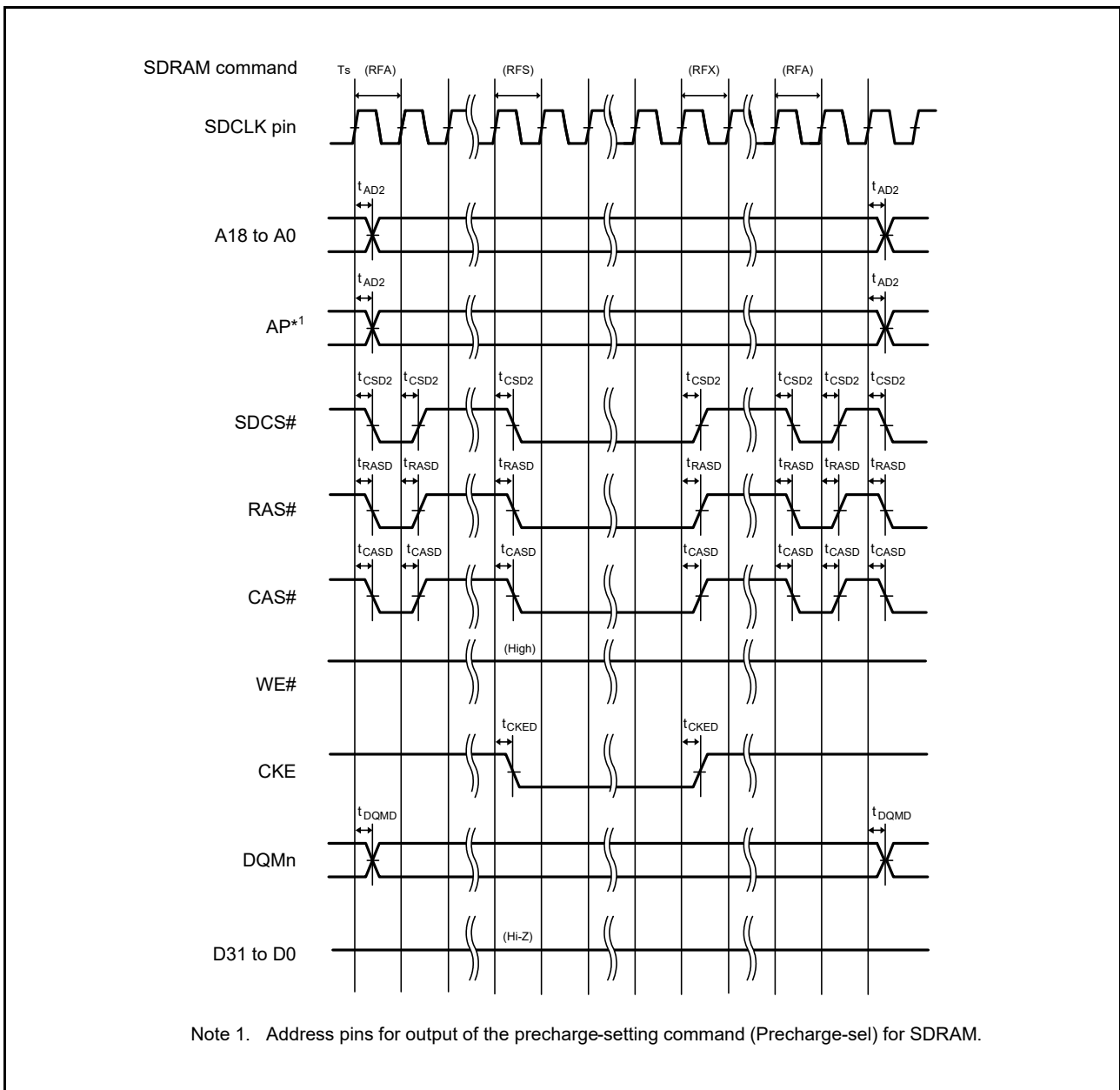


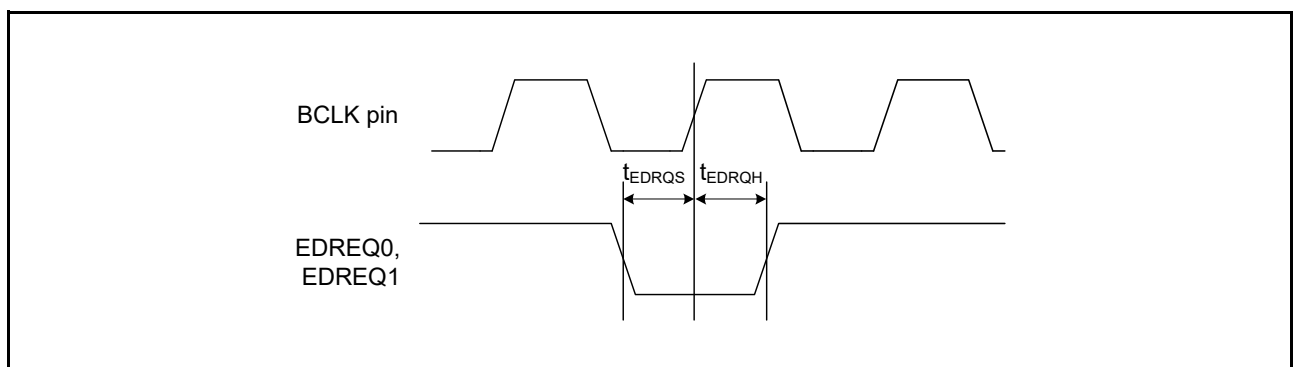
Figure 2.29 SDRAM Space Self-Refresh Bus Timing

2.4.6 EXDMAC Timing

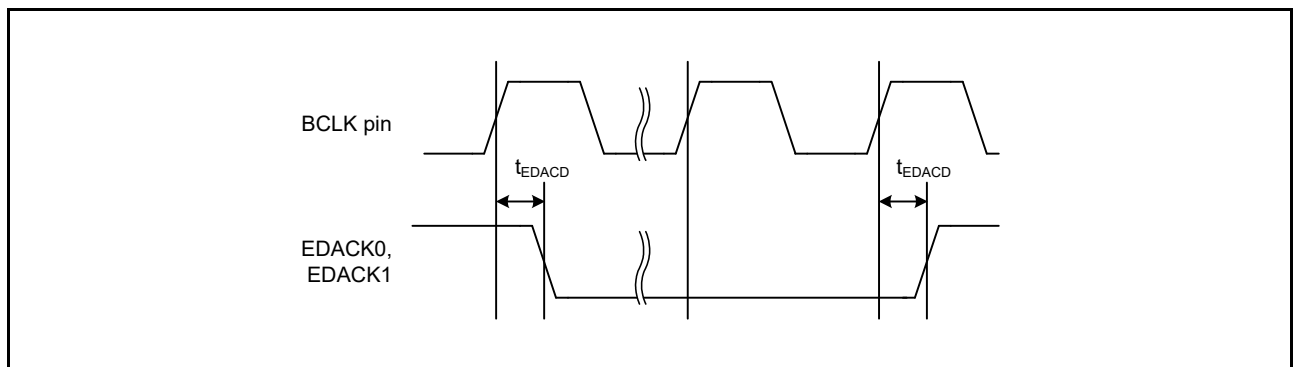
**Table 2.26 EXDMAC Timing**

Conditions:  $V_{CC} = AVCC0 = AVCC1 = V_{CC\_USB} = V_{BATT} = 2.7$  to  $3.6$  V,  $2.7$  V  $\leq V_{REFH0} \leq AVCC0$ ,  
 $V_{SS} = AVSS0 = AVSS1 = V_{REFL0} = V_{SS\_USB} = 0$  V,  
 $ICLK = PCLKA = 8$  to  $120$  MHz,  $PCLKB = BCLK = SDCLK = 8$  to  $60$  MHz,  $T_a = T_{opr}$ ,  
 Output load conditions:  $V_{OH} = 0.5 \times V_{CC}$ ,  $V_{OL} = 0.5 \times V_{CC}$ ,  $C = 30$  pF,  
 High-drive output is selected by the driving ability control register.

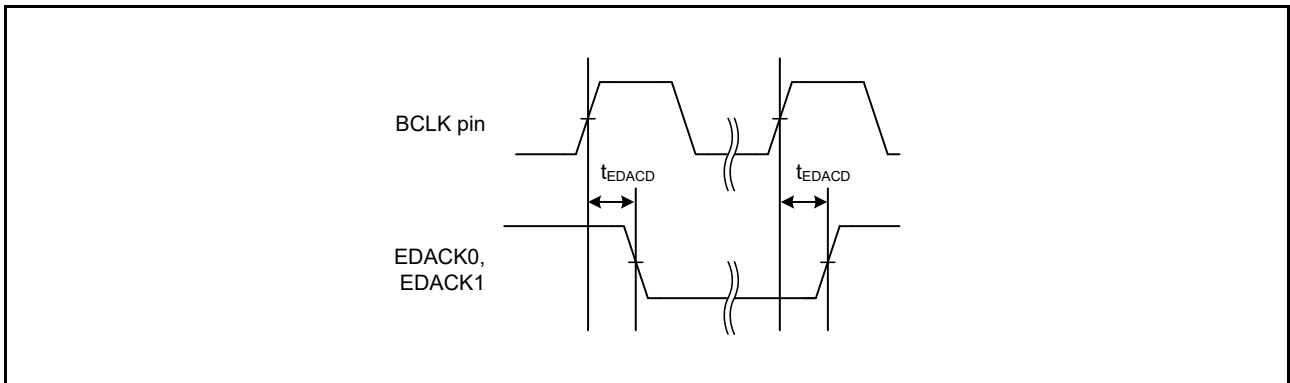
Item	Symbol	Min.	Max.	Unit	Test Conditions	
EXDMAC	EDREQ setup time	$t_{EDRQS}$	13	—	ns	Figure 2.30
	EDREQ hold time	$t_{EDRQH}$	2	—	ns	
	EDACK delay time	$t_{EDACD}$	—	13	ns	Figure 2.31, Figure 2.32



**Figure 2.30 EDREQ0 and EDREQ1 Input Timing**



**Figure 2.31 EDACK0 and EDACK1 Single-Address Transfer Timing (for a CS Area)**



**Figure 2.32 EDACK0 and EDACK1 Single-Address Transfer Timing (for SDRAM)**

## 2.4.7 Timing of On-Chip Peripheral Modules

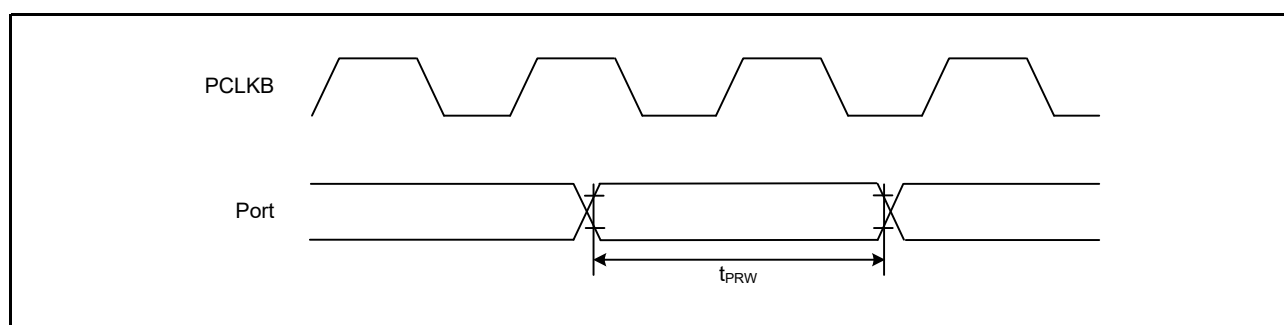
### 2.4.7.1 I/O Port

**Table 2.27 I/O Port Timing**

Conditions:  $V_{CC} = AVCC0 = AVCC1 = V_{CC\_USB} = V_{BATT} = 2.7$  to  $3.6$  V,  $2.7$  V  $\leq V_{REFH0} \leq AVCC0$ ,  
 $V_{SS} = AVSS0 = AVSS1 = V_{REFL0} = V_{SS\_USB} = 0$  V,  
 $PCLKA = 8$  to  $120$  MHz,  $PCLKB = 8$  to  $60$  MHz,  $T_a = T_{opr}$ ,  
 Output load conditions:  $V_{OH} = 0.5 \times V_{CC}$ ,  $V_{OL} = 0.5 \times V_{CC}$ ,  $C = 30$  pF,  
 High-drive output is selected by the driving ability control register.

Item		Symbol	Min.	Max.	Unit*1	Test Conditions
I/O ports	Input data pulse width	$t_{PRW}$	1.5	—	$t_{PBcyc}$	Figure 2.33

Note 1.  $t_{PBcyc}$ : PCLKB cycle



**Figure 2.33 I/O Port Input Timing**

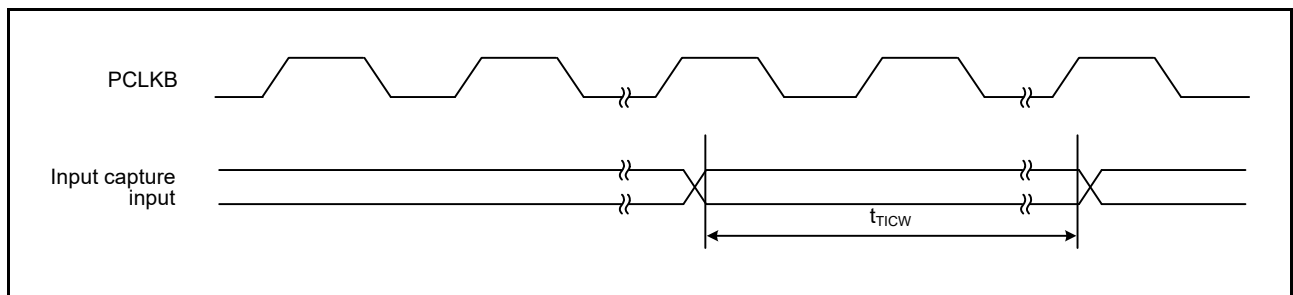
2.4.7.2 TPU

**Table 2.28 TPU Timing**

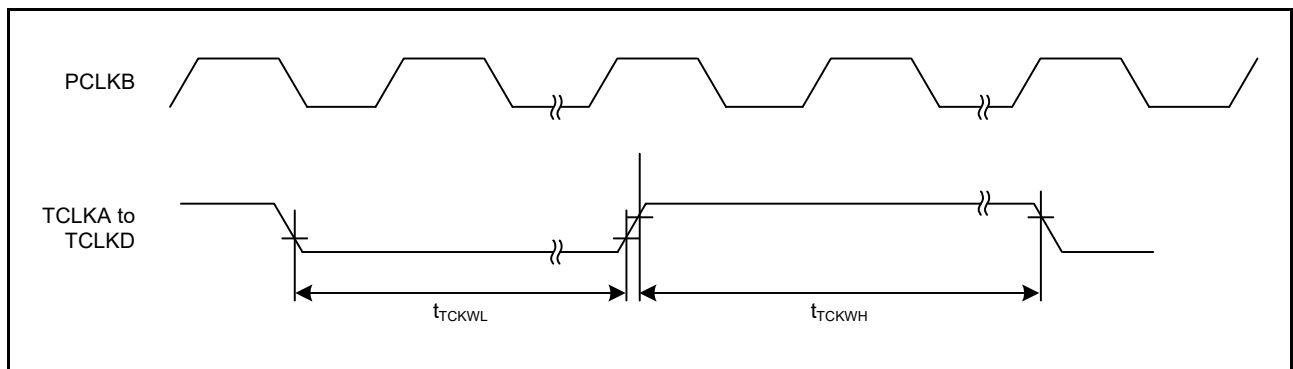
Conditions:  $V_{CC} = AVCC0 = AVCC1 = V_{CC\_USB} = V_{BATT} = 2.7$  to  $3.6$  V,  $2.7$  V  $\leq V_{REFH0} \leq AVCC0$ ,  
 $V_{SS} = AVSS0 = AVSS1 = V_{REFL0} = V_{SS\_USB} = 0$  V,  
 $PCLKA = 8$  to  $120$  MHz,  $PCLKB = 8$  to  $60$  MHz,  $T_a = T_{opr}$ ,  
 Output load conditions:  $V_{OH} = 0.5 \times V_{CC}$ ,  $V_{OL} = 0.5 \times V_{CC}$ ,  $C = 30$  pF,  
 High-drive output is selected by the driving ability control register.

Item		Symbol	Min.	Max.	Unit*1	Test Conditions
TPU	Input capture input pulse width	Single-edge setting	1.5	—	$t_{PBcyc}$	Figure 2.34
		Both-edge setting	2.5	—		
TPU	Timer clock pulse width	Single-edge setting	1.5	—	$t_{PBcyc}$	Figure 2.35
		Both-edge setting	2.5	—		
		Phase counting mode	2.5	—		

Note 1.  $t_{PBcyc}$ : PCLKB cycle



**Figure 2.34 TPU Input Capture Input Timing**



**Figure 2.35 TPU Clock Input Timing**

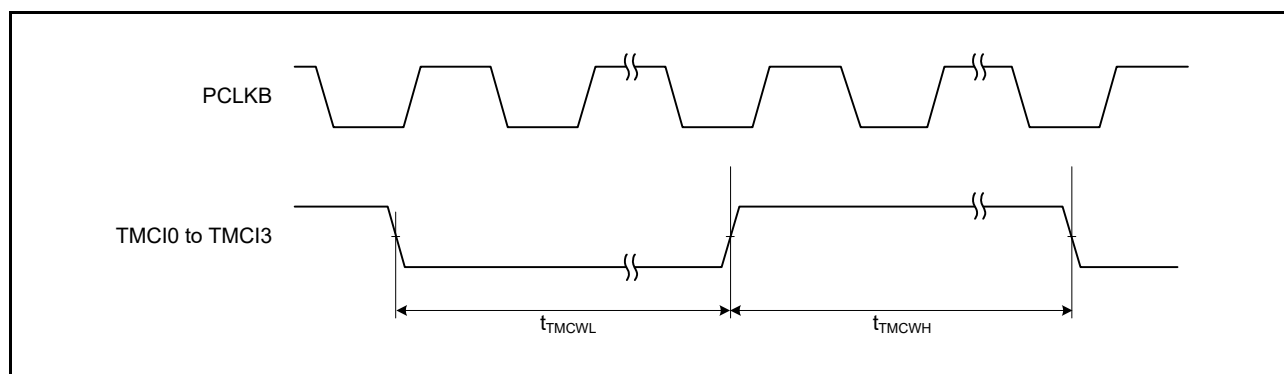
### 2.4.7.3 TMR

**Table 2.29 TMR Timing**

Conditions:  $V_{CC} = AVCC0 = AVCC1 = V_{CC\_USB} = V_{BATT} = 2.7$  to  $3.6$  V,  $2.7$  V  $\leq V_{REFH0} \leq AVCC0$ ,  
 $V_{SS} = AVSS0 = AVSS1 = V_{REFL0} = V_{SS\_USB} = 0$  V,  
 $PCLKA = 8$  to  $120$  MHz,  $PCLKB = 8$  to  $60$  MHz,  $T_a = T_{opr}$ ,  
 Output load conditions:  $V_{OH} = 0.5 \times V_{CC}$ ,  $V_{OL} = 0.5 \times V_{CC}$ ,  $C = 30$  pF,  
 High-drive output is selected by the driving ability control register.

Item		Symbol	Min.	Max.	Unit*1	Test Conditions
TMR	Timer clock pulse width	Single-edge setting	1.5	—	$t_{PBcyc}$	Figure 2.36
		Both-edge setting	2.5	—		

Note 1.  $t_{PBcyc}$ : PCLKB cycle



**Figure 2.36 TMR Clock Input Timing**

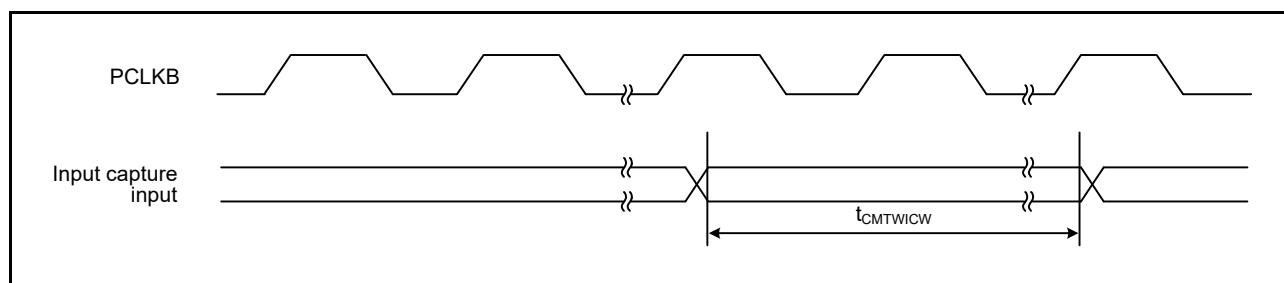
### 2.4.7.4 CMTW

**Table 2.30 CMTW Timing**

Conditions:  $V_{CC} = AVCC0 = AVCC1 = V_{CC\_USB} = V_{BATT} = 2.7$  to  $3.6$  V,  $2.7$  V  $\leq V_{REFH0} \leq AVCC0$ ,  
 $V_{SS} = AVSS0 = AVSS1 = V_{REFL0} = V_{SS\_USB} = 0$  V,  
 $PCLKA = 8$  to  $120$  MHz,  $PCLKB = 8$  to  $60$  MHz,  $T_a = T_{opr}$ ,  
 Output load conditions:  $V_{OH} = 0.5 \times V_{CC}$ ,  $V_{OL} = 0.5 \times V_{CC}$ ,  $C = 30$  pF,  
 High-drive output is selected by the driving ability control register.

Item		Symbol	Min.	Max.	Unit*1	Test Conditions
CMTW	Input capture input pulse width	Single-edge setting	1.5	—	$t_{PBcyc}$	Figure 2.37
		Both-edge setting	2.5	—		

Note 1.  $t_{PBcyc}$ : PCLKB cycle



**Figure 2.37 CMTW Input Capture Input Timing**



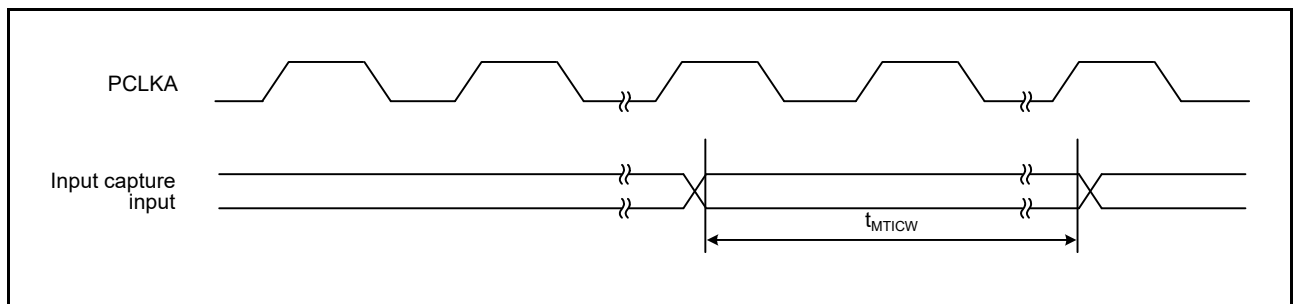
2.4.7.5 MTU3

**Table 2.31 MTU3 Timing**

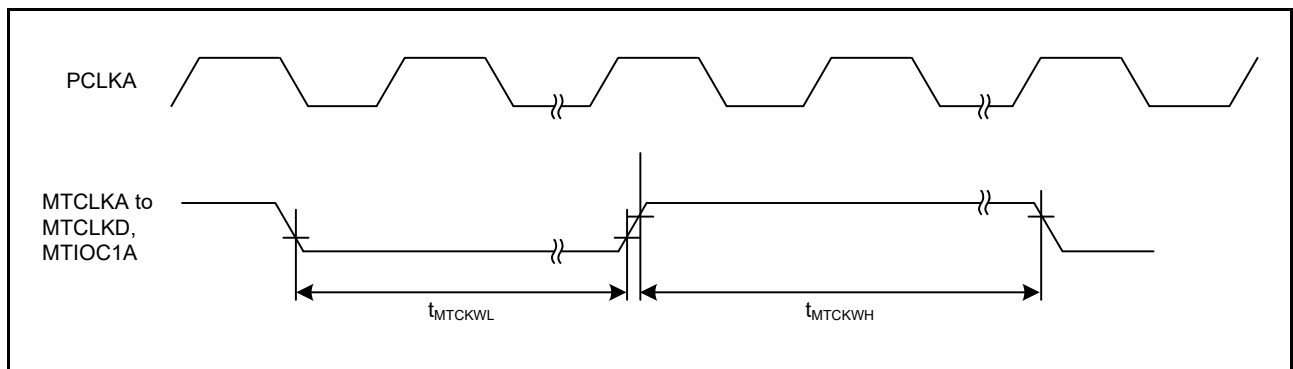
Conditions:  $V_{CC} = AVCC0 = AVCC1 = V_{CC\_USB} = V_{BATT} = 2.7$  to  $3.6$  V,  $2.7$  V  $\leq V_{REFH0} \leq AVCC0$ ,  
 $V_{SS} = AVSS0 = AVSS1 = V_{REFL0} = V_{SS\_USB} = 0$  V,  
 $PCLKA = 8$  to  $120$  MHz,  $PCLKB = 8$  to  $60$  MHz,  $T_a = T_{opr}$ ,  
 Output load conditions:  $V_{OH} = 0.5 \times V_{CC}$ ,  $V_{OL} = 0.5 \times V_{CC}$ ,  $C = 30$  pF,  
 High-drive output is selected by the driving ability control register.

Item		Symbol	Min.	Max.	Unit*1	Test Conditions
MTU3	Input capture input pulse width	Single-edge setting	1.5	—	$t_{PAcyc}$	Figure 2.38
		Both-edge setting	2.5	—		
MTU3	Timer clock pulse width	Single-edge setting	1.5	—	$t_{PAcyc}$	Figure 2.39
		Both-edge setting	2.5	—		
		Phase counting mode	2.5	—		

Note 1.  $t_{PAcyc}$ : PCLKA cycle



**Figure 2.38 MTU3 Input Capture Input Timing**



**Figure 2.39 MTU3 Clock Input Timing**

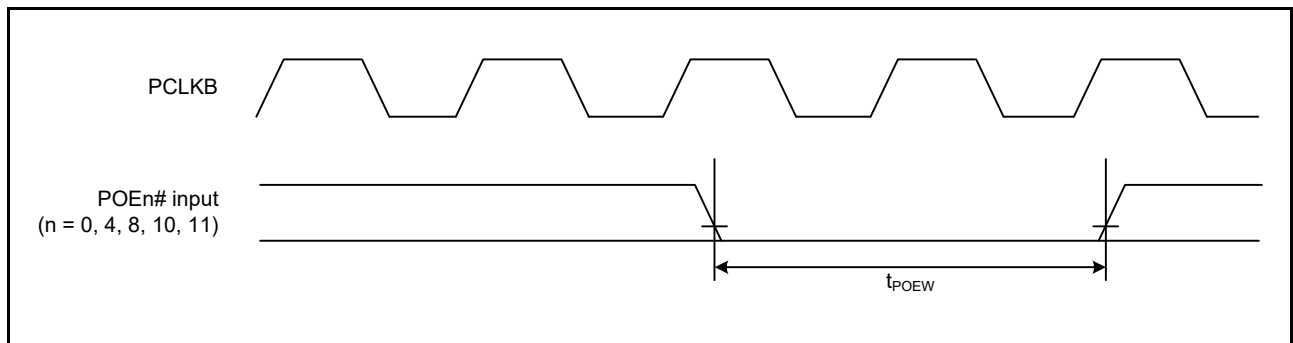
2.4.7.6 POE3

**Table 2.32 POE3 Timing**

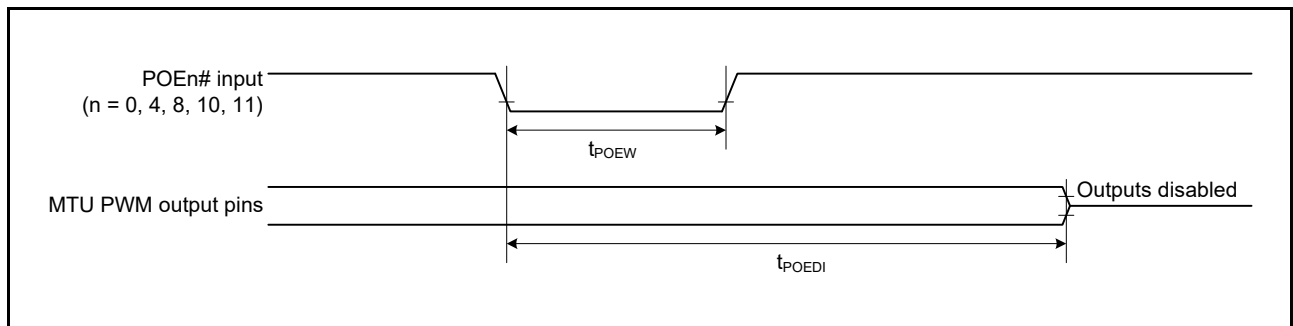
Conditions:  $V_{CC} = AVCC0 = AVCC1 = V_{CC\_USB} = V_{BATT} = 2.7$  to  $3.6$  V,  $2.7$  V  $\leq V_{REFH0} \leq AVCC0$ ,  
 $V_{SS} = AVSS0 = AVSS1 = V_{REFL0} = V_{SS\_USB} = 0$  V,  
 $PCLKA = 8$  to  $120$  MHz,  $PCLKB = 8$  to  $60$  MHz,  $T_a = T_{opr}$ ,  
 Output load conditions:  $V_{OH} = 0.5 \times V_{CC}$ ,  $V_{OL} = 0.5 \times V_{CC}$ ,  $C = 30$  pF,  
 High-drive output is selected by the drive capacity control register.

Item		Symbol	Min.	Typ.	Max.	Unit*1	Test Conditions	
POE	POEn# input pulse width (n = 0, 4, 8, 10, 11)	$t_{POEW}$	1.5	—	—	$t_{PBcyc}$	Figure 2.40	
	Output disable time	Transition of the POEn# signal level	$t_{POEDI}$	—	—	$5 PCLKB + 0.24$	$\mu s$	Figure 2.41 When detecting falling edges (ICSRm.POEnM[3:0] = 0000b (m = 1 to 5; n = 0, 4, 8, 10, 11))
		Simultaneous conduction of output pins	$t_{POEDO}$	—	—	$3 PCLKB + 0.2$	$\mu s$	Figure 2.42
		Register setting	$t_{POEDS}$	—	—	$1 PCLKB + 0.2$	$\mu s$	Figure 2.43 Time for access to the register is not included.
		Oscillation stop detection	$t_{POEDOS}$	—	—	21	$\mu s$	Figure 2.44

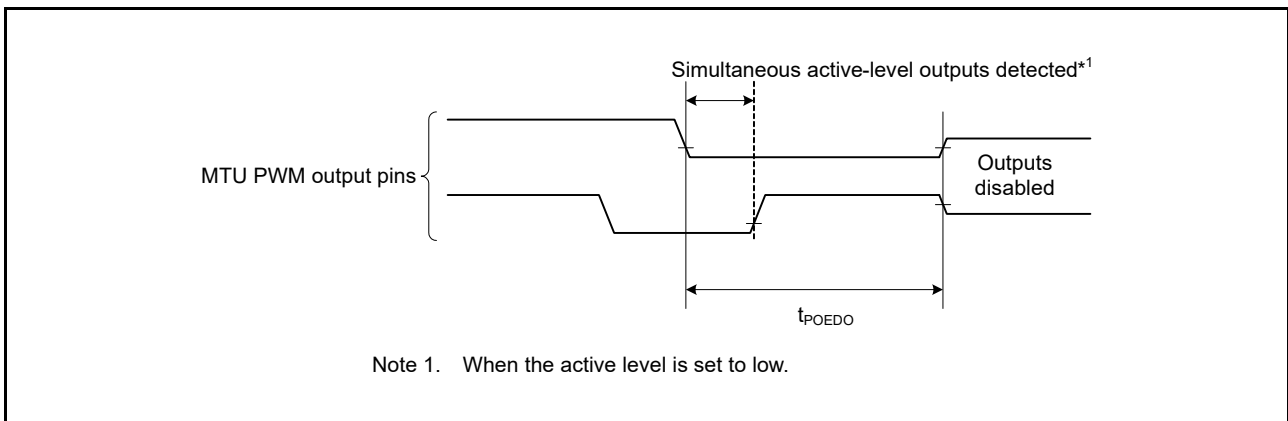
Note 1.  $t_{PBcyc}$ : PCLKB cycle



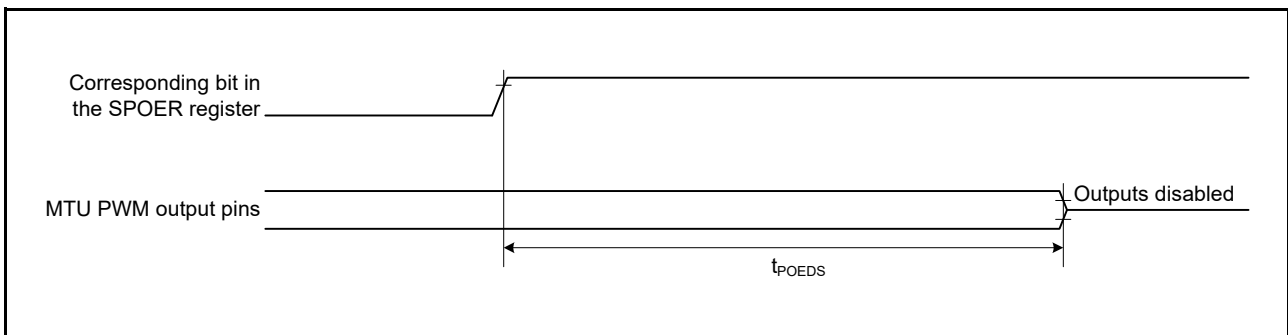
**Figure 2.40 POE# Pin Input Timing**



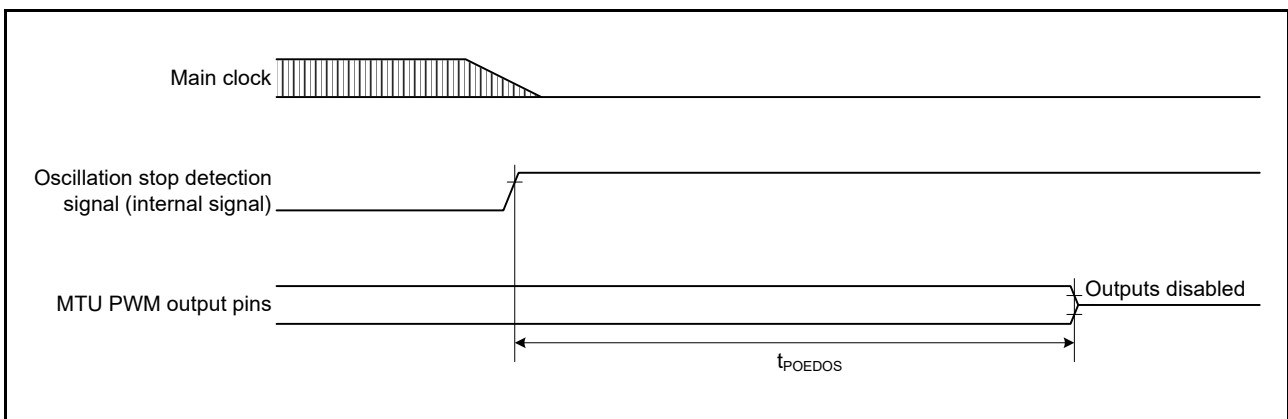
**Figure 2.41 Output Disable Time for POE in Response to Transition of the POEn# Signal Level**



**Figure 2.42 Output Disable Time for POE in Response to the Simultaneous Conduction of Output Pins**



**Figure 2.43 Output Disable Time for POE in Response to the Register Setting**



**Figure 2.44 Output Disable Time for POE in Response to the Oscillation Stop Detection**

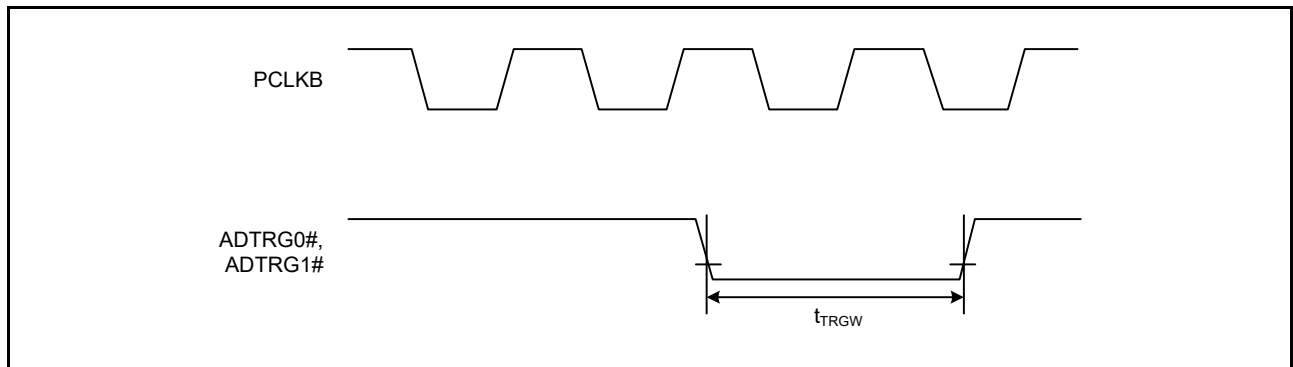
### 2.4.7.7 A/D Converter Trigger

**Table 2.33 A/D Converter Trigger Timing**

Conditions:  $V_{CC} = AVCC0 = AVCC1 = VCC\_USB = V_{BATT} = 2.7$  to  $3.6$  V,  $2.7$  V  $\leq VREFH0 \leq AVCC0$ ,  
 $VSS = AVSS0 = AVSS1 = VREFL0 = VSS\_USB = 0$  V,  
 $PCLKA = 8$  to  $120$  MHz,  $PCLKB = 8$  to  $60$  MHz,  $T_a = T_{opr}$ ,  
 Output load conditions:  $V_{OH} = 0.5 \times VCC$ ,  $V_{OL} = 0.5 \times VCC$ ,  $C = 30$  pF,  
 High-drive output is selected by the driving ability control register.

Item		Symbol	Min.	Max.	Unit*1	Test Conditions
A/D converter	A/D converter trigger input pulse width	$t_{TRGW}$	1.5	—	$t_{PBcyc}$	Figure 2.45

Note 1.  $t_{PBcyc}$ : PCLKB cycle



**Figure 2.45 A/D Converter Trigger Input Timing**

### 2.4.7.8 CAC

**Table 2.34 CAC Timing**

Conditions:  $V_{CC} = AVCC0 = AVCC1 = VCC\_USB = V_{BATT} = 2.7$  to  $3.6$  V,  $2.7$  V  $\leq VREFH0 \leq AVCC0$ ,  
 $VSS = AVSS0 = AVSS1 = VREFL0 = VSS\_USB = 0$  V,  
 $PCLKA = 8$  to  $120$  MHz,  $PCLKB = 8$  to  $60$  MHz,  $T_a = T_{opr}$ ,  
 Output load conditions:  $V_{OH} = 0.5 \times VCC$ ,  $V_{OL} = 0.5 \times VCC$ ,  $C = 30$  pF,  
 High-drive output is selected by the driving ability control register.

Item*1, *2		Symbol	Min.*1, *2	Max.	Unit	Test Conditions
CAC	CACREF input pulse width	$t_{CACREF}$	$t_{PBcyc} \leq t_{cac}$	—	ns	
			$t_{PBcyc} > t_{cac}$	—		

Note 1.  $t_{PBcyc}$ : PCLKB cycle

Note 2.  $t_{cac}$ : CAC count clock source cycle

## 2.4.7.9 SCI

**Table 2.35 SCIg, SCIH, and SCII Timing**

Conditions:  $V_{CC} = AVCC0 = AVCC1 = V_{CC\_USB} = V_{BATT} = 2.7$  to  $3.6$  V,  $2.7$  V  $\leq V_{REFH0} \leq AVCC0$ ,  
 $V_{SS} = AVSS0 = AVSS1 = V_{REFL0} = V_{SS\_USB} = 0$  V,  
 $PCLKA = 8$  to  $120$  MHz,  $PCLKB = 8$  to  $60$  MHz,  $T_a = T_{opr}$ ,  
 Output load conditions:  $V_{OH} = 0.5 \times V_{CC}$ ,  $V_{OL} = 0.5 \times V_{CC}$ ,  $C = 30$  pF,  
 High-drive output is selected by the driving ability control register.

Item		Symbol	Min.	Max.	Unit*1	Test Conditions		
SCIg, SCIH	Input clock cycle	Asynchronous	$t_{Scyc}$	4	—	$t_{PBcyc}$	Figure 2.46	
		Clock synchronous		6	—			
	Input clock pulse width		$t_{SCKW}$	0.4	0.6	$t_{Scyc}$		
	Input clock rise time		$t_{SCKr}$	—	5	ns		
	Input clock fall time		$t_{SCKf}$	—	5	ns		
	Output clock cycle	Asynchronous*2	$t_{Scyc}$	8	—	$t_{PBcyc}$		
		Clock synchronous		4	—			
	Output clock pulse width		$t_{SCKW}$	0.4	0.6	$t_{Scyc}$		
	Output clock rise time		$t_{SCKr}$	—	5	ns		
	Output clock fall time		$t_{SCKf}$	—	5	ns		
	Transmit data delay time	Clock synchronous	$t_{TXD}$	—	28	ns		Figure 2.47
	Receive data setup time	Clock synchronous	$t_{RXS}$	15	—	ns		
Receive data hold time	Clock synchronous	$t_{RXH}$	5	—	ns			
SCII	Input clock cycle	Asynchronous	$t_{Scyc}$	4	—	$t_{PAcyc}$	Figure 2.46	
		Clock synchronous		12	—			
	Input clock pulse width		$t_{SCKW}$	0.4	0.6	$t_{Scyc}$		
	Input clock rise time		$t_{SCKr}$	—	5	ns		
	Input clock fall time		$t_{SCKf}$	—	5	ns		
	Output clock cycle	Asynchronous*2	$t_{Scyc}$	8	—	$t_{PAcyc}$		
		Clock synchronous		8	—			
	Output clock pulse width		$t_{SCKW}$	0.4	0.6	$t_{Scyc}$		
	Output clock rise time		$t_{SCKr}$	—	5	ns		
	Output clock fall time		$t_{SCKf}$	—	5	ns		
	Transmit data delay time	Master	$t_{TXD}$	—	15	ns		Figure 2.47
		Slave		—	28			
Receive data setup time	Clock synchronous	$t_{RXS}$	20	—	ns			
Receive data hold time	Clock synchronous	$t_{RXH}$	5	—	ns			

Note 1.  $t_{PBcyc}$ : PCLKB cycle;  $t_{PAcyc}$ : PCLKA cycle

Note 2. When the SEMR.ABCS and SEMR.BGDM bits are set to 1

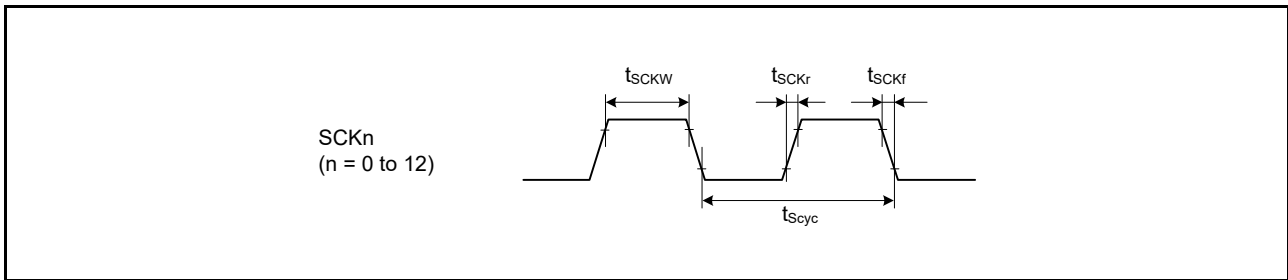


Figure 2.46 SCK Clock Input Timing

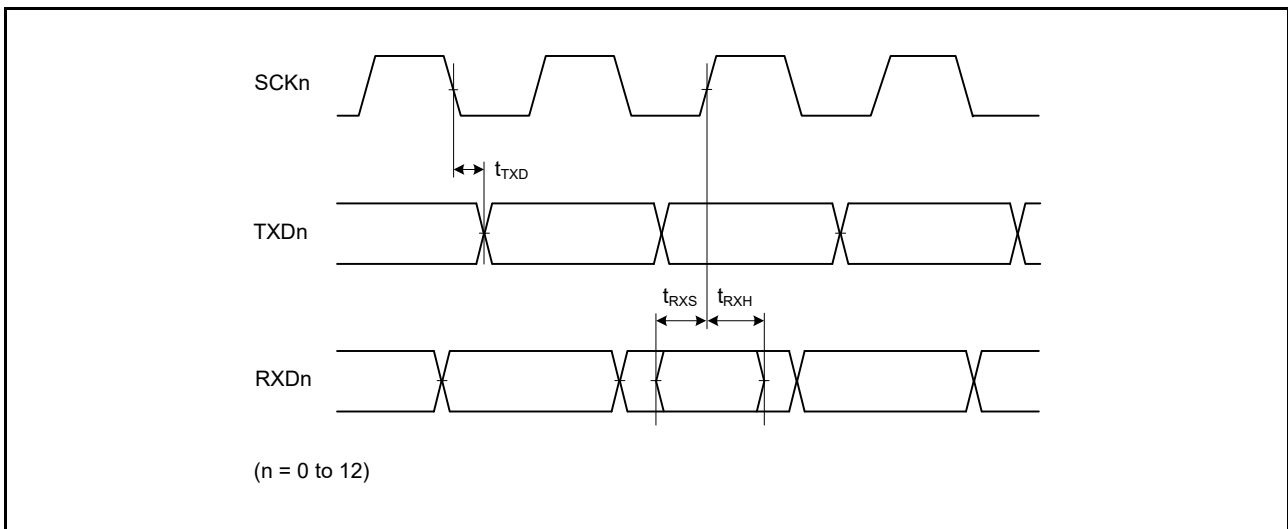


Figure 2.47 SCI Input/Output Timing: Clock Synchronous Mode

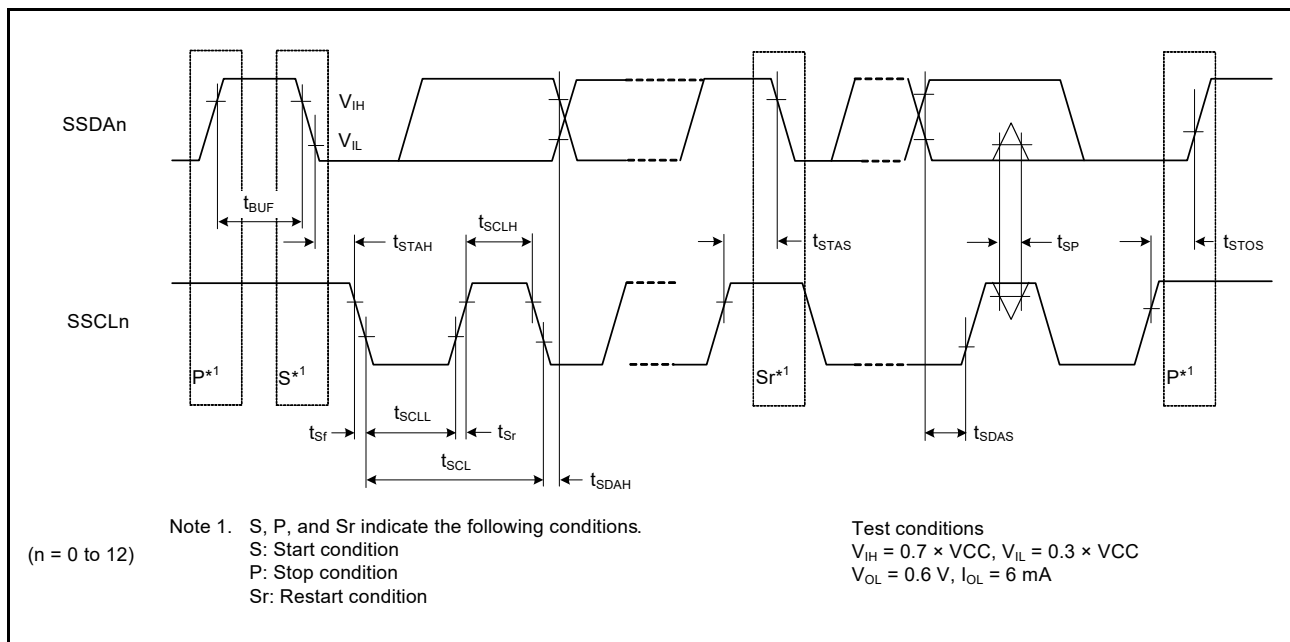
**Table 2.36 Simple IIC Timing**

Conditions:  $V_{CC} = AV_{CC0} = AV_{CC1} = V_{CC\_USB} = V_{BATT} = 2.7$  to  $3.6$  V,  $2.7$  V  $\leq V_{REFH0} \leq AV_{CC0}$ ,  
 $V_{SS} = AV_{SS0} = AV_{SS1} = V_{REFL0} = V_{SS\_USB} = 0$  V,  
 $PCLKA = 8$  to  $120$  MHz,  $PCLKB = 8$  to  $60$  MHz,  $T_a = T_{opr}$ ,  
 High-drive output is selected by the driving ability control register.

Item		Symbol	Min.	Max.	Unit	Test Conditions
Simple IIC (Standard-mode)	SSCL, SSDA input rise time	$t_{Sr}$	—	1000	ns	Figure 2.48
	SSCL, SSDA input fall time	$t_{Sf}$	—	300	ns	
	SSCL, SSDA input spike pulse removal time	$t_{SP}$	0	$4 \times t_{Pcyc}$	ns	
	Data input setup time	$t_{SDAS}$	250	—	ns	
	Data input hold time	$t_{SDAH}$	0	—	ns	
	SSCL, SSDA capacitive load	$C_b^{*1}$	—	400	pF	
Simple IIC (Fast-mode)	SSCL, SSDA input rise time	$t_{Sr}$	—	300	ns	Figure 2.48
	SSCL, SSDA input fall time	$t_{Sf}$	—	300	ns	
	SSCL, SSDA input spike pulse removal time	$t_{SP}$	0	$4 \times t_{Pcyc}$	ns	
	Data input setup time	$t_{SDAS}$	100	—	ns	
	Data input hold time	$t_{SDAH}$	0	—	ns	
	SSCL, SSDA capacitive load	$C_b^{*1}$	—	400	pF	

Note:  $t_{Pcyc}$  refers to the period of PCLKA in SCI10 and SCI11, and of PCLKB in SCI0 to SCI9, and SCI12.

Note 1.  $C_b$  is the total capacitance of the bus lines.



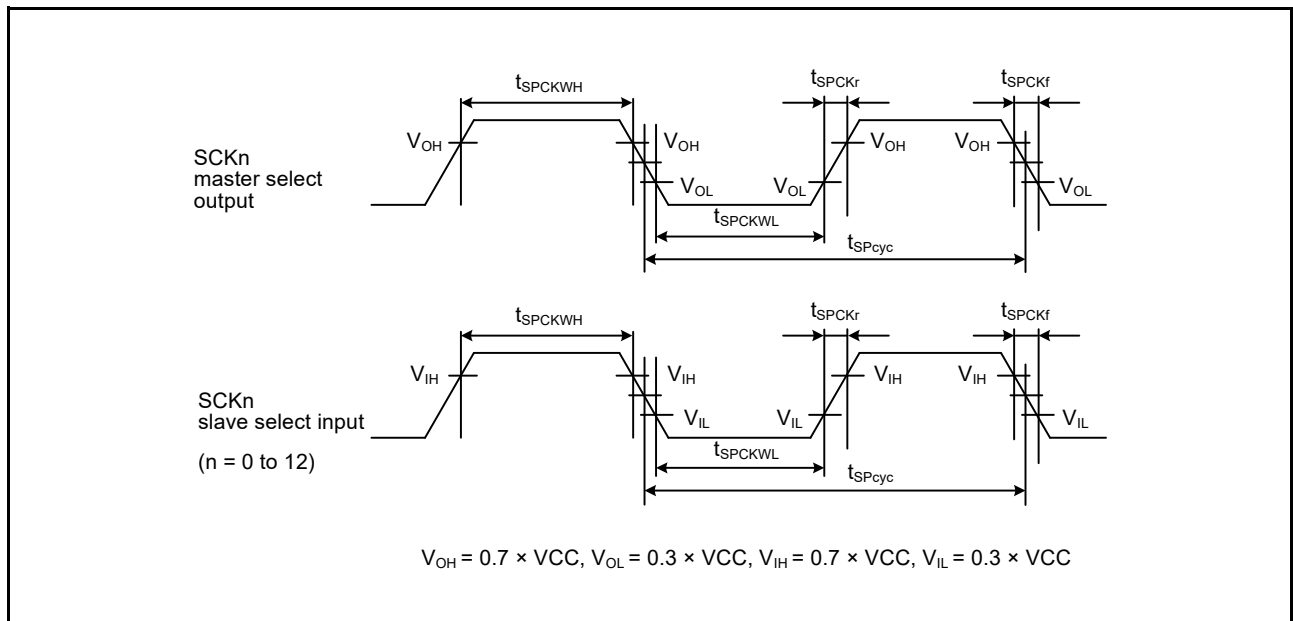
**Figure 2.48 Simple IIC Bus Interface Input/Output Timing**

**Table 2.37 Simple SPI Timing**

Conditions:  $V_{CC} = AV_{CC0} = AV_{CC1} = V_{CC\_USB} = V_{BATT} = 2.7$  to  $3.6$  V,  $2.7$  V  $\leq V_{REFH0} \leq AV_{CC0}$ ,  
 $V_{SS} = AV_{SS0} = AV_{SS1} = V_{REFL0} = V_{SS\_USB} = 0$  V,  
 $PCLKA = 8$  to  $120$  MHz,  $PCLKB = 8$  to  $60$  MHz,  $T_a = T_{opr}$ ,  
 Output load conditions:  $V_{OH} = 0.5 \times V_{CC}$ ,  $V_{OL} = 0.5 \times V_{CC}$ ,  $C = 30$  pF,  
 High-drive output is selected by the driving ability control register.

Item		Symbol	Min.	Max.	Unit*1	Test Conditions
Simple SPI	SCK clock cycle output (master)	$t_{SPcyc}$	4	65536	$t_{Pcyc}$	Figure 2.49
	SCK clock cycle input (slave)		6	65536		
	SCK clock high pulse width	$t_{SPCKWH}$	0.4	0.6	$t_{SPcyc}$	
	SCK clock low pulse width	$t_{SPCKWL}$	0.4	0.6	$t_{SPcyc}$	
	SCK clock rise/fall time	$t_{SPCKr}$ , $t_{SPCKf}$	—	20	ns	
	Data input setup time	$t_{SU}$	33.3	—	ns	Figure 2.50 to Figure 2.53
	Data input hold time	$t_H$	33.3	—	ns	
	SS input setup time	$t_{LEAD}$	1	—	$t_{SPcyc}$	
	SS input hold time	$t_{LAG}$	1	—	$t_{SPcyc}$	
	Data output delay time	$t_{OD}$	—	33.3	ns	
	Data output hold time	$t_{OH}$	-10	—	ns	
	Data rise/fall time	$t_{Dr}$ , $t_{Df}$	—	16.6	ns	
	SS input rise/fall time	$t_{SSLr}$ , $t_{SSLf}$	—	16.6	ns	
	Slave access time	$t_{SA}$	—	5	$t_{Pcyc}$	Figure 2.52, Figure 2.53
	Slave output release time	$t_{REL}$	—	5	$t_{Pcyc}$	

Note 1.  $t_{Pcyc}$  refers to the period of PCLKA in SCI10 and SCI11, and of PCLKB in SCI0 to SCI9, and SCI12.



**Figure 2.49 Simple SPI Clock Timing**



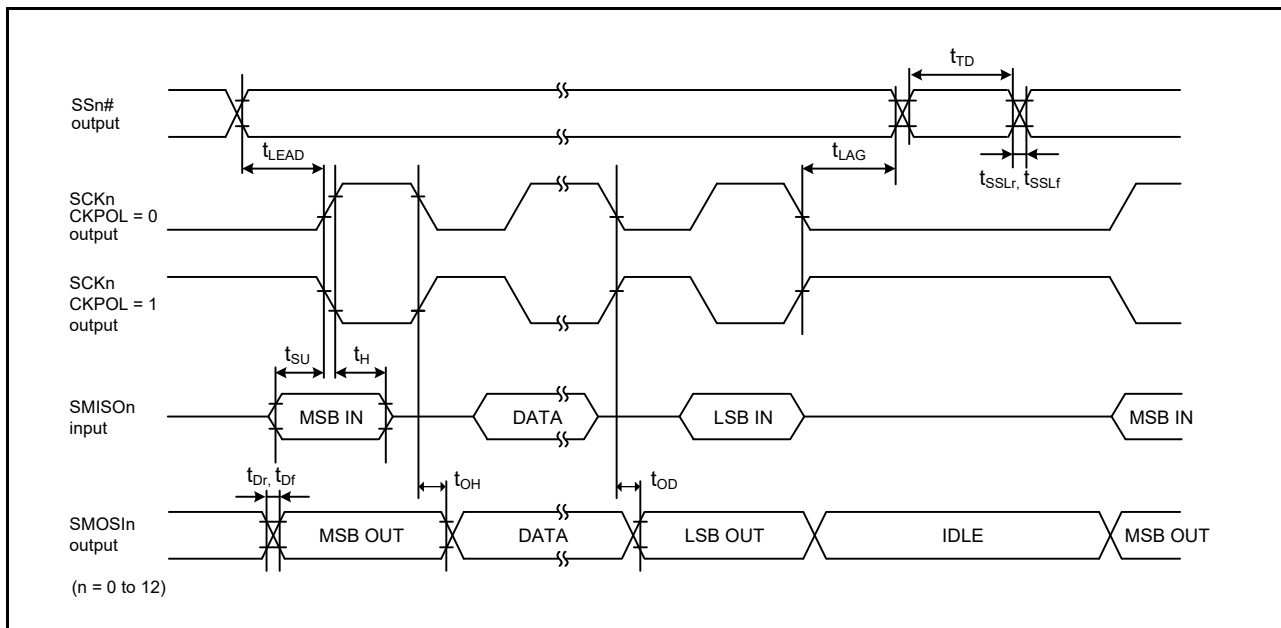


Figure 2.50 Simple SPI Timing (Master, CKPH = 1)

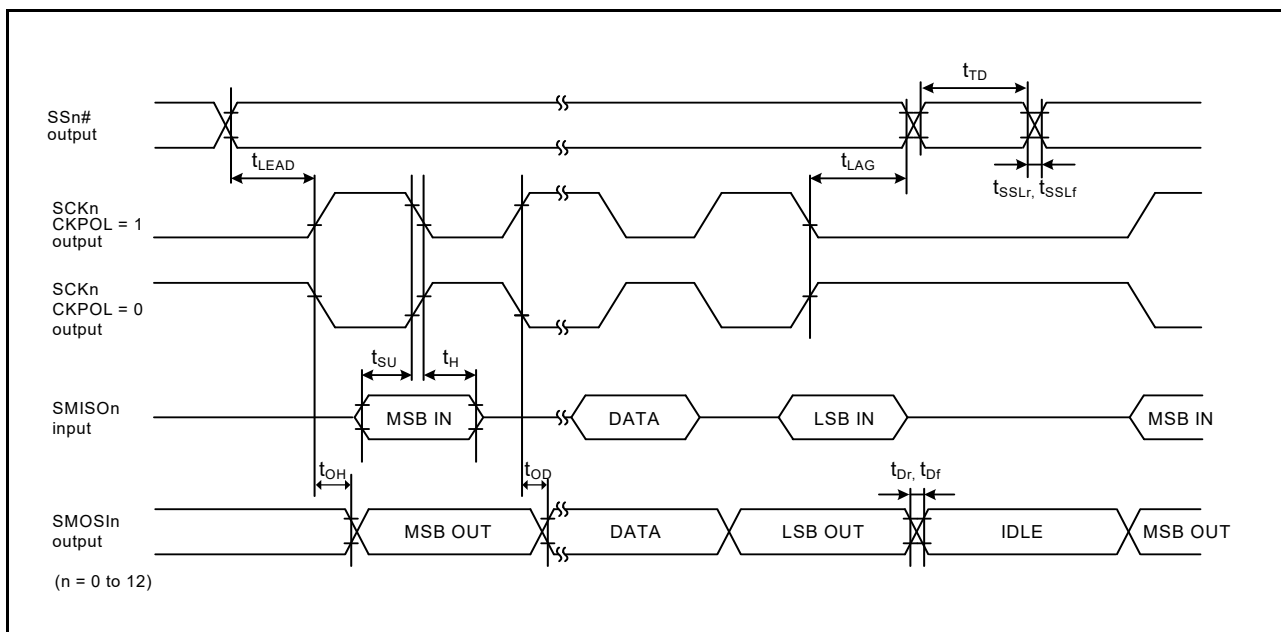


Figure 2.51 Simple SPI Timing (Master, CKPH = 0)

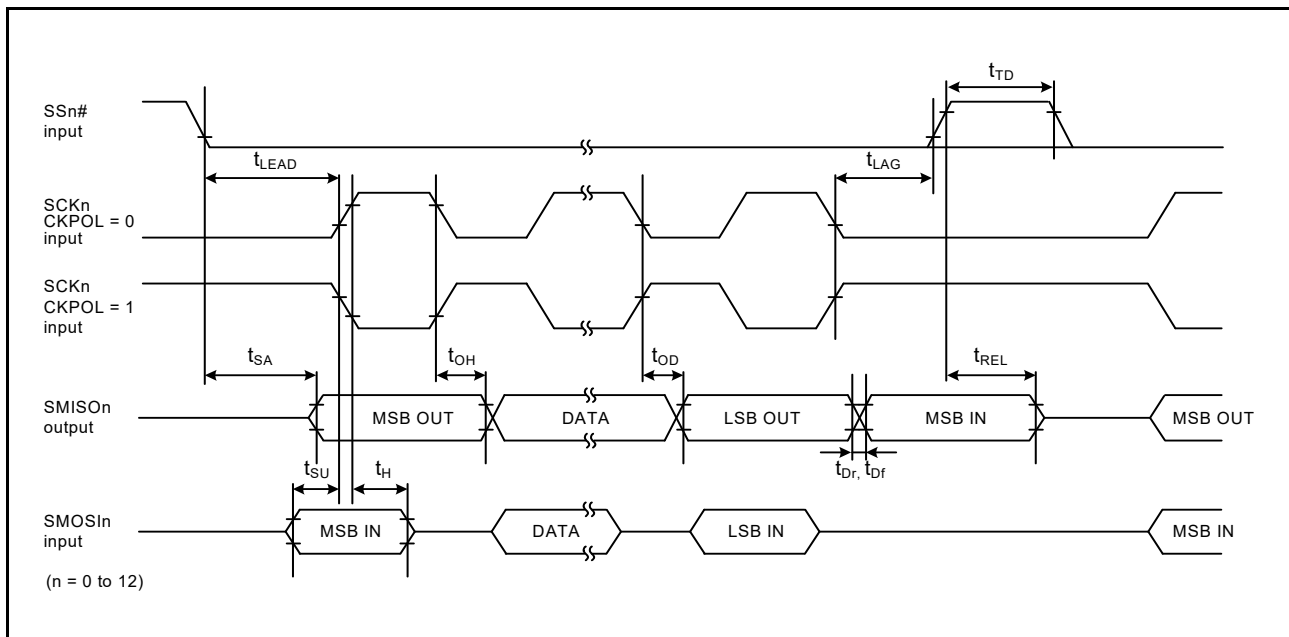


Figure 2.52 Simple SPI Timing (Slave, CKPH = 1)

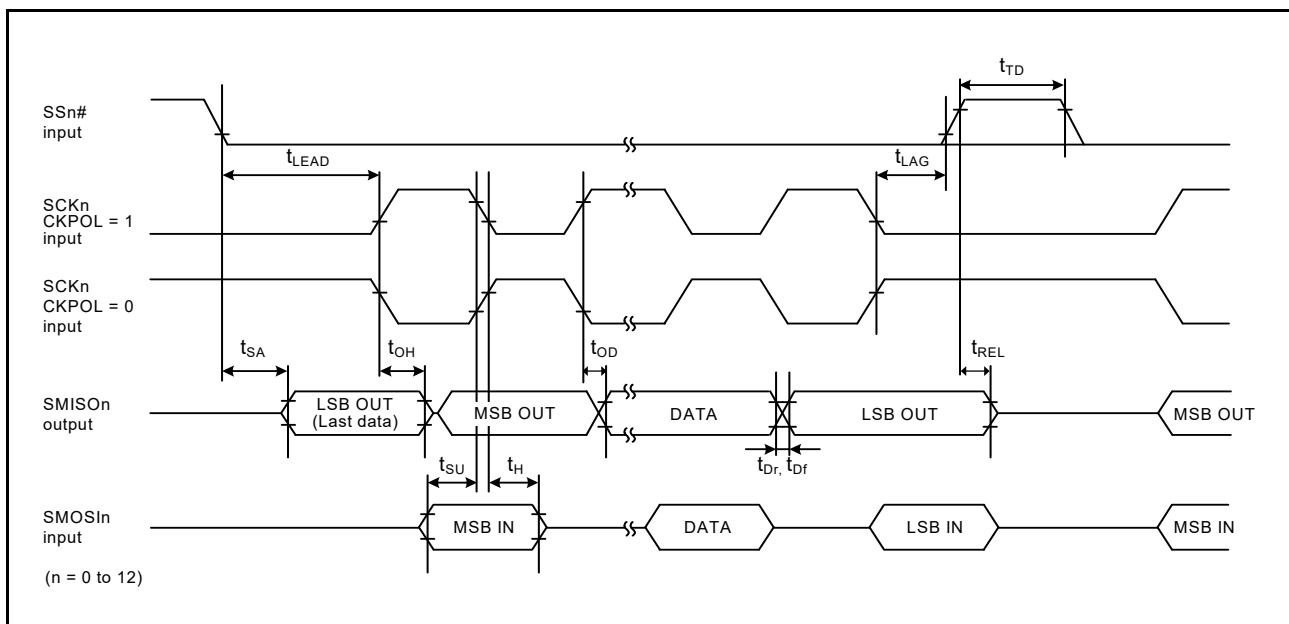


Figure 2.53 Simple SPI Timing (Slave, CKPH = 0)

## 2.4.7.10 RSPI

**Table 2.38 RSPI Timing**

Conditions:  $V_{CC} = AVCC0 = AVCC1 = V_{CC\_USB} = V_{BATT} = 2.7$  to  $3.6$  V,  $2.7$  V  $\leq$   $V_{REFH0} \leq AVCC0$ ,  
 $V_{SS} = AVSS0 = AVSS1 = V_{REFL0} = V_{SS\_USB} = 0$  V,  
 $PCLKA = 8$  to  $120$  MHz,  $PCLKB = 8$  to  $60$  MHz,  $T_a = T_{opr}$ ,  
 Output load conditions:  $V_{OH} = 0.5 \times V_{CC}$ ,  $V_{OL} = 0.5 \times V_{CC}$ ,  $C = 30$  pF,  
 High-drive output is selected by the driving ability control register.

Item		Symbol	Min.*1	Max.*1	Unit*1	Test Conditions*2		
RSPI	RSPCK clock cycle	Master	$t_{SPCyc}$	2	4096	$t_{PAcyc}$	Figure 2.54	
		Slave		4	—			
RSPCK clock high pulse width	Master	$t_{SPCKWH}$		$(t_{SPCyc} - t_{SPCKr} - t_{SPCKf}) / 2 - 3$	—	ns		
	Slave			$(t_{SPCyc} - t_{SPCKr} - t_{SPCKf}) / 2$	—			
RSPCK clock low pulse width	Master	$t_{SPCKWL}$		$(t_{SPCyc} - t_{SPCKr} - t_{SPCKf}) / 2 - 3$	—	ns		
	Slave			$(t_{SPCyc} - t_{SPCKr} - t_{SPCKf}) / 2$	—			
RSPCK clock rise/fall time	Output	$t_{SPCKr}$ , $t_{SPCKf}$		—	5	ns		
	Input			—	1	$\mu$ s		
Data input setup time	Master	$t_{SU}$		6	—	ns		Figure 2.55 to Figure 2.60
	Slave			8.3	—			
Data input hold time	Master	PCLKA division ratio set to 1/2	$t_{HF}$	0	—	ns		
								PCLKA division ratio set to a value other than 1/2
	Slave		8.3	—				
SSL setup time	Master	$t_{LEAD}$		1	8	$t_{SPCyc}$		
	Slave			6	—	$t_{PAcyc}$		
SSL hold time	Master	$t_{LAG}$		1	8	$t_{SPCyc}$		
	Slave			6	—	$t_{PAcyc}$		
Data output delay time	Master	$t_{OD}$		—	6.3	ns		
	Slave			—	28			
Data output hold time	Master	$t_{OH}$		0	—	ns		
	Slave			0	—			
Successive transmission delay time	Master	$t_{TD}$		$t_{SPCyc} + 2 \times t_{PAcyc}$	$8 \times t_{SPCyc} + 2 \times t_{PAcyc}$	ns		
	Slave			$6 \times t_{PAcyc}$	—			
MOSI and MISO rise/fall time	Output	$t_{Dr}$ , $t_{Df}$		—	5	ns		
	Input			—	1	$\mu$ s		
SSL rise/fall time	Output	$t_{SSLr}$ , $t_{SSLf}$		—	5	ns		
	Input			—	1	$\mu$ s		
Slave access time		$t_{SA}$		—	$2 \times t_{PAcyc} + 28$	ns	Figure 2.59, Figure 2.60	
Slave output release time		$t_{REL}$		—	$2 \times t_{PAcyc} + 28$	ns		

Note 1.  $t_{PACyc}$ : PCLKA cycle

Note 2. When a letter “-A”, “-B”, etc. to indicate group membership is appended to the pin name, each pin is recommended to use in combination with the pins in the same group. All RSPI AC timings are measured in combination with the pins in the same group.

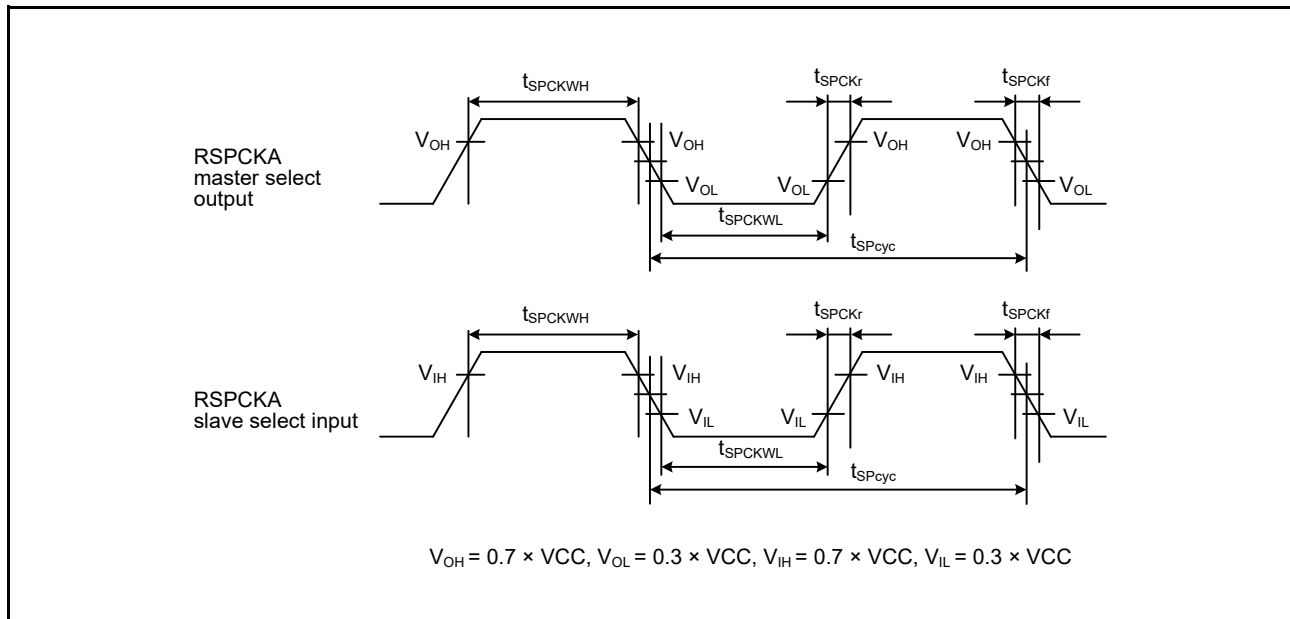


Figure 2.54 RSPCKA Clock Timing

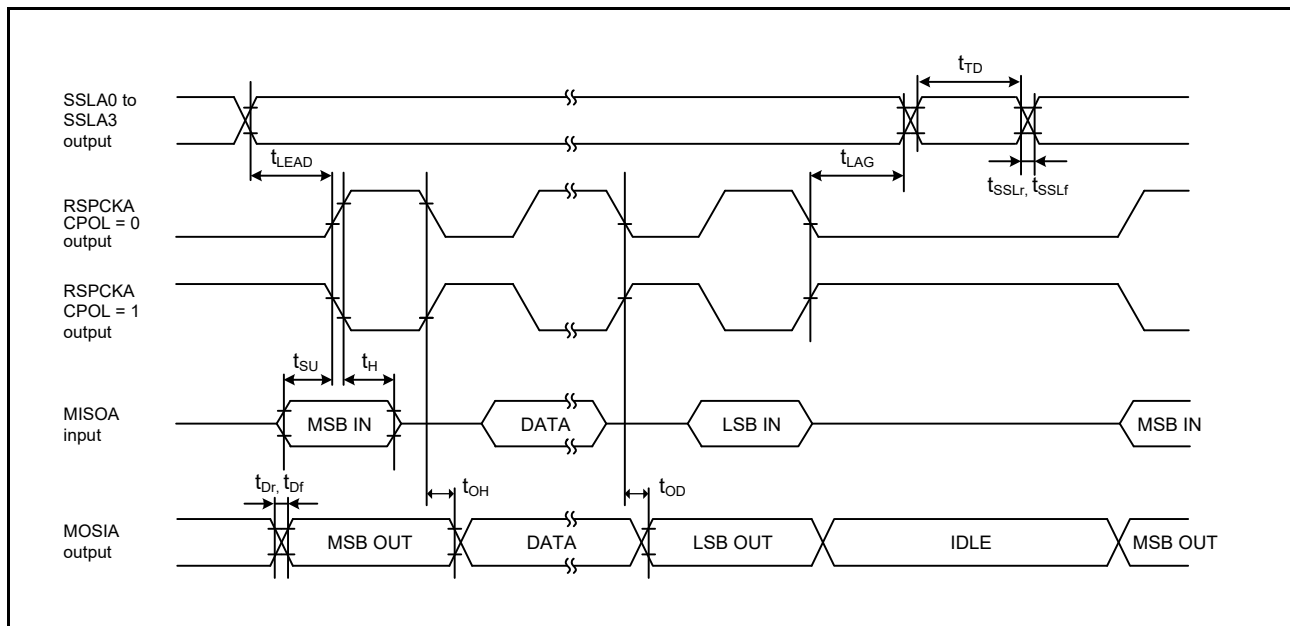
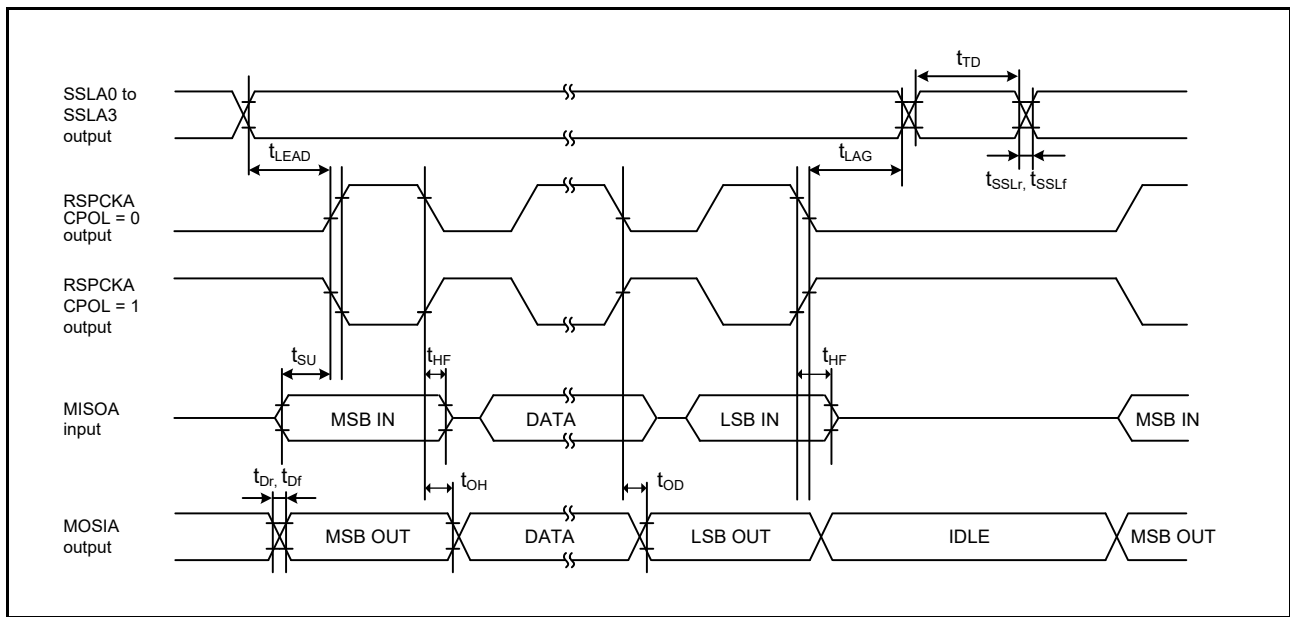
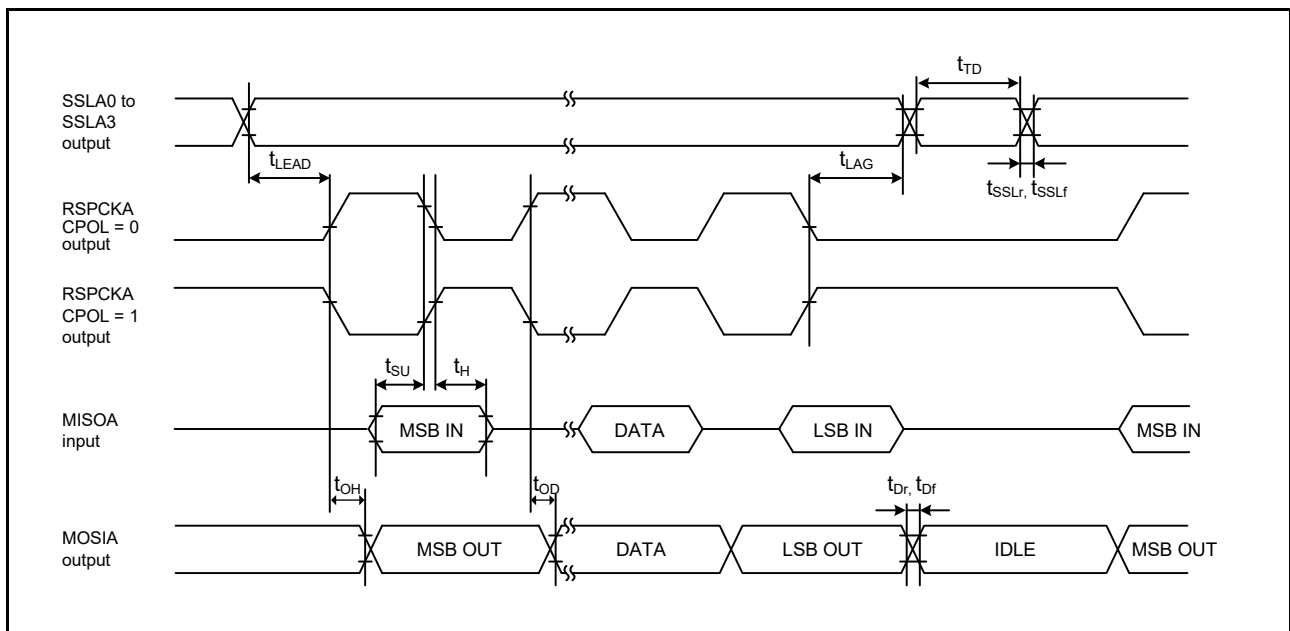


Figure 2.55 RSPI Timing (Master, CPHA = 0) (Bit Rate: PCLKA Division Ratio Set to a Value Other Than 1/2)



**Figure 2.56 RSPI Timing (Master, CPHA = 0) (Bit Rate: PCLKA Division Ratio Set to 1/2)**



**Figure 2.57 RSPI Timing (Master, CPHA = 1) (Bit Rate: PCLKA Division Ratio Set to a Value Other Than 1/2)**

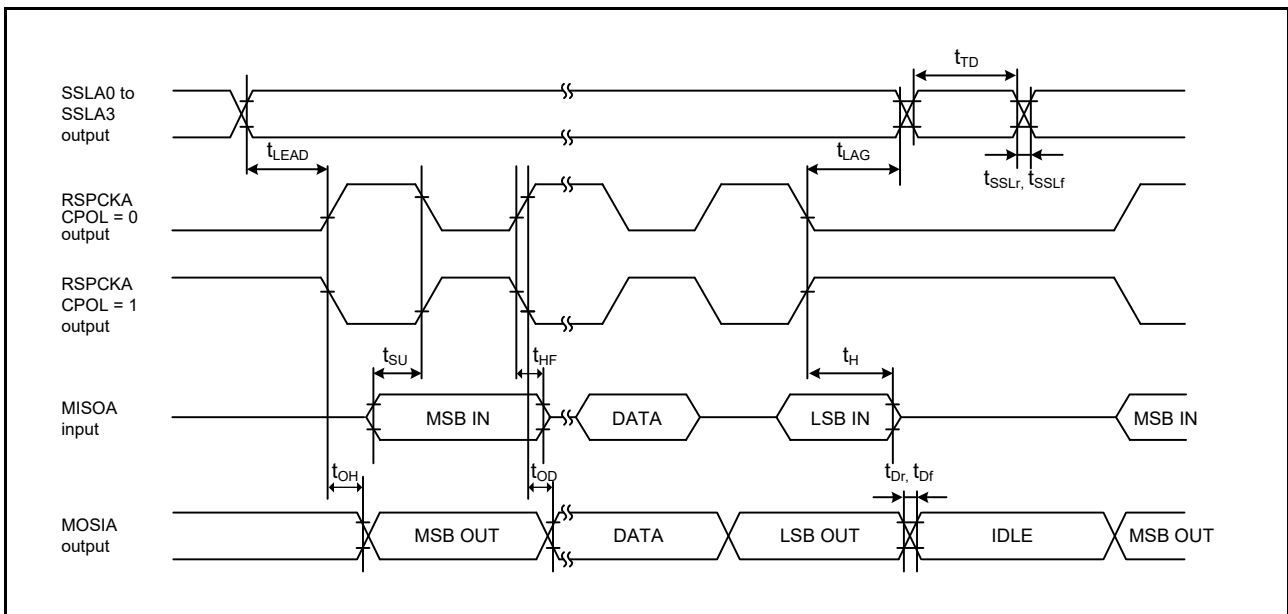


Figure 2.58 RSPI Timing (Master, CPHA = 1) (Bit Rate: PCLKA Division Ratio Set to 1/2)

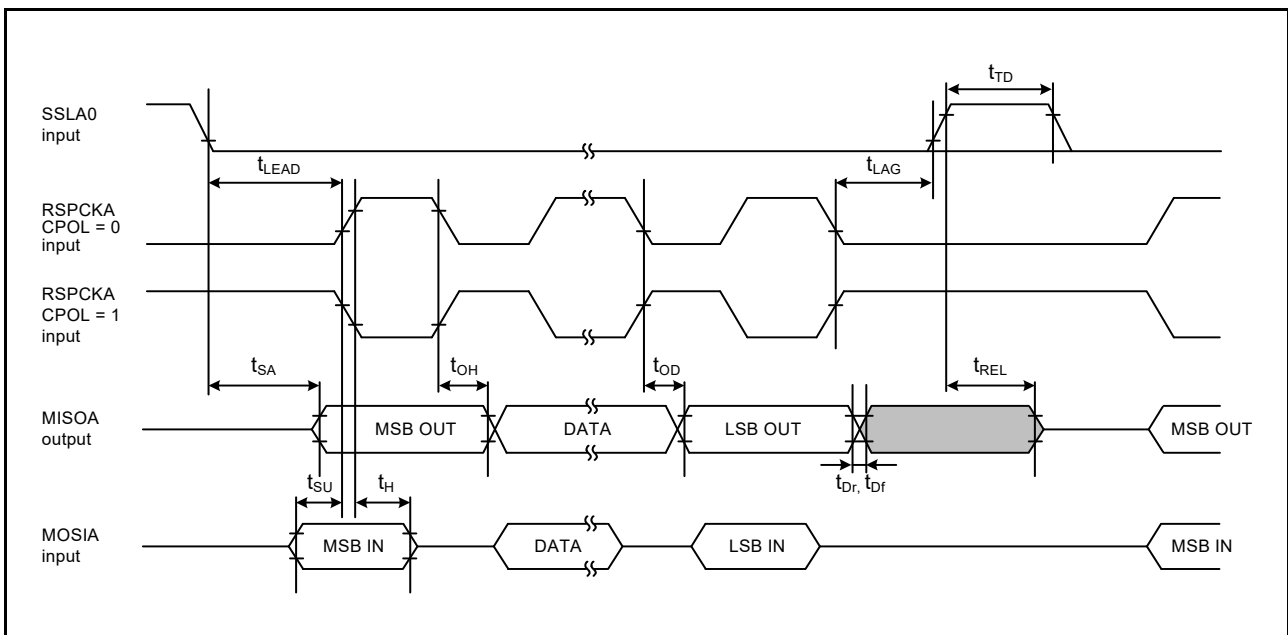


Figure 2.59 RSPI Timing (Slave, CPHA = 0)

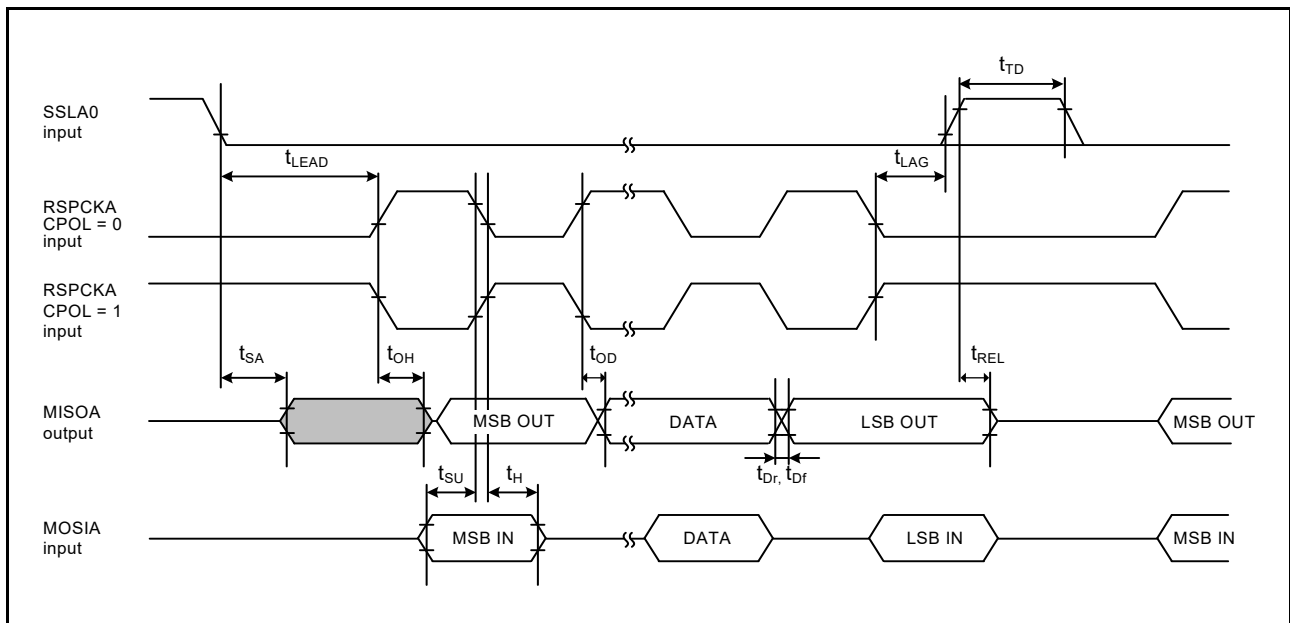


Figure 2.60 RSPI Timing (Slave, CPHA = 1)

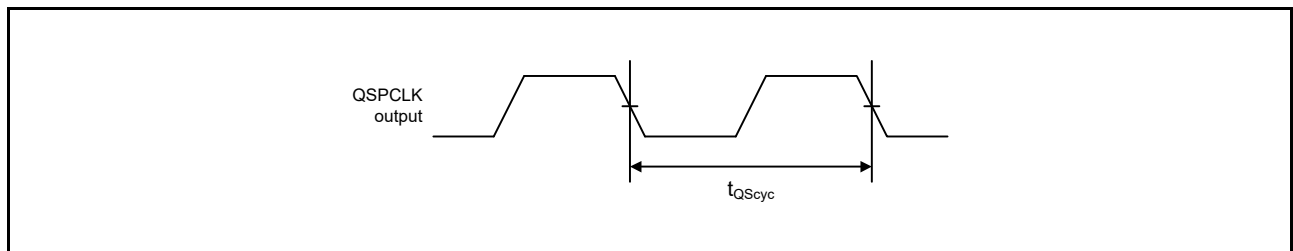
2.4.7.11 QSPI

**Table 2.39 QSPI Timing**

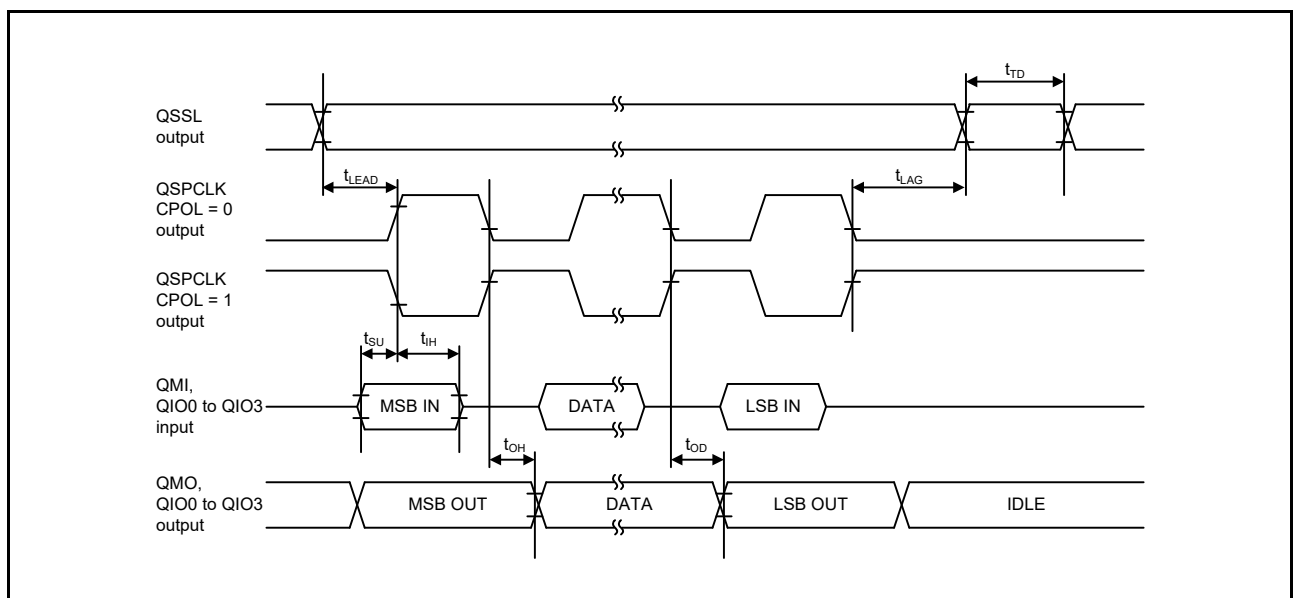
Conditions:  $V_{CC} = AV_{CC0} = AV_{CC1} = V_{CC\_USB} = V_{BATT} = 2.7$  to  $3.6$  V,  $2.7$  V  $\leq V_{REFH0} \leq AV_{CC0}$ ,  
 $V_{SS} = AV_{SS0} = AV_{SS1} = V_{REFL0} = V_{SS\_USB} = 0$  V,  
 $PCLKA = 8$  to  $120$  MHz,  $PCLKB = 8$  to  $60$  MHz,  $T_a = T_{opr}$ ,  
 Output load conditions:  $V_{OH} = 0.5 \times V_{CC}$ ,  $V_{OL} = 0.5 \times V_{CC}$ ,  $C = 30$  pF,  
 High-drive output is selected by the driving ability control register.\*3

Item	Symbol	Min.	Max.	Unit*1	Test Conditions*2
QSPI	QSPCLK clock cycle	$t_{QScyc}$	2	4080	$t_{PBcyc}$ Figure 2.61
	Data input setup time	$t_{Su}$	6.5	—	ns Figure 2.62, Figure 2.63
	Data input hold time	$t_{tH}$	5	—	ns
	SS setup time	$t_{LEAD}$	1.5	8.5	$t_{QScyc}$
	SS hold time	$t_{LAG}$	1	8	$t_{QScyc}$
	Data output delay time	$t_{OD}$	—	10.0	ns
	Data output hold time	$t_{OH}$	-5	—	ns
	Successive transmission delay time	$t_{TD}$	1	8	$t_{QScyc}$

- Note 1.  $t_{PBcyc}$ : PCLKB cycle
- Note 2. When a letter “-A”, “-B”, etc. to indicate group membership is appended to the pin name, each pin is recommended to use in combination with the pins in the same group. All QSPI AC timings are measured in combination with the pins in the same group.
- Note 3. In the G-version products, the AC characteristics are measured by setting the drive capacity control register 2 corresponding the QSPCLK pin as a high-speed interface high-drive output.



**Figure 2.61 QSPI Clock Timing**



**Figure 2.62 Transmit/Receive Timing (CPHA = 0)**



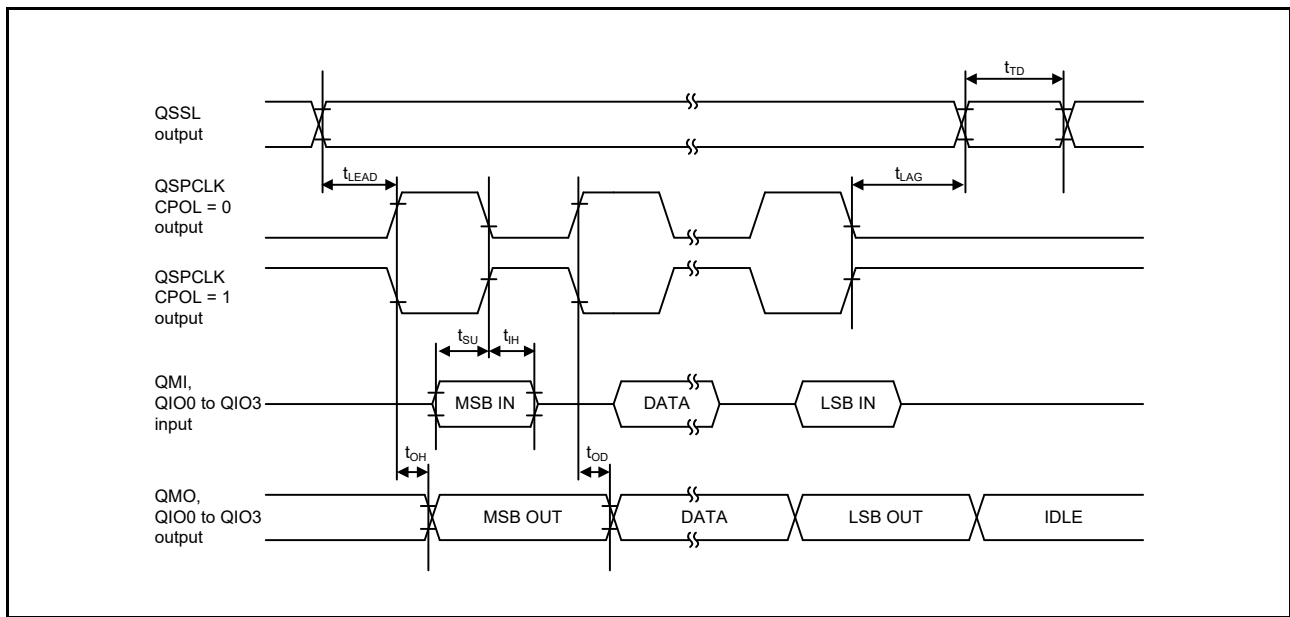


Figure 2.63 Transmit/Receive Timing (CPHA = 1)

## 2.4.7.12 RIIC

**Table 2.40 RIIC Timing (1/2)**

Conditions:  $VCC = AVCC0 = AVCC1 = VCC\_USB = V_{BATT} = 2.7$  to  $3.6$  V,  $2.7$  V  $\leq$   $VREFH0 \leq AVCC0$ ,  
 $VSS = AVSS0 = AVSS1 = VREFL0 = VSS\_USB = 0$  V,  
 $PCLKA = 8$  to  $120$  MHz,  $PCLKB = 8$  to  $60$  MHz,  $T_a = T_{opr}$ ,  
 High-drive output is selected by the driving ability control register.

Item		Symbol	Min.*1	Max.	Unit	Test Conditions
RIIC (Standard-mode, SMBus) ICFER.FMPE = 0	SCL input cycle time	$t_{SCL}$	$6(12) \times t_{IICcyc} + 1300$	—	ns	Figure 2.64
	SCL input high pulse width	$t_{SCLH}$	$3(6) \times t_{IICcyc} + 300$	—	ns	
	SCL input low pulse width	$t_{SCLL}$	$3(6) \times t_{IICcyc} + 300$	—	ns	
	SCL, SDA input rise time	$t_{Sr}$	—	1000	ns	
	SCL, SDA input fall time	$t_{Sf}$	—	300	ns	
	SCL, SDA input spike pulse removal time	$t_{SP}$	0	$1(4) \times t_{IICcyc}$	ns	
	SDA input bus free time	$t_{BUF}$	$3(6) \times t_{IICcyc} + 300$	—	ns	
	Start condition input hold time	$t_{STAH}$	$t_{IICcyc} + 300$	—	ns	
	Restart condition input setup time	$t_{STAS}$	1000	—	ns	
	Stop condition input setup time	$t_{STOS}$	1000	—	ns	
	Data input setup time	$t_{SDAS}$	$t_{IICcyc} + 50$	—	ns	
	Data input hold time	$t_{SDAH}$	0	—	ns	
	SCL, SDA capacitive load	$C_b^{*2}$	—	400	pF	
RIIC (Fast-mode) ICFER.FMPE = 0	SCL input cycle time	$t_{SCL}$	$6(12) \times t_{IICcyc} + 600$	—	ns	
	SCL input high pulse width	$t_{SCLH}$	$3(6) \times t_{IICcyc} + 300$	—	ns	
	SCL input low pulse width	$t_{SCLL}$	$3(6) \times t_{IICcyc} + 300$	—	ns	
	SCL, SDA input rise time	$t_{Sr}$	$20 \times (\text{External pull-up voltage}/5.5V)$	300	ns	
	SCL, SDA input fall time	$t_{Sf}$	$20 \times (\text{External pull-up voltage}/5.5V)$	300	ns	
	SCL, SDA input spike pulse removal time	$t_{SP}$	0	$1(4) \times t_{IICcyc}$	ns	
	SDA input bus free time	$t_{BUF}$	$3(6) \times t_{IICcyc} + 300$	—	ns	
	Start condition input hold time	$t_{STAH}$	$t_{IICcyc} + 300$	—	ns	
	Restart condition input setup time	$t_{STAS}$	300	—	ns	
	Stop condition input setup time	$t_{STOS}$	300	—	ns	
	Data input setup time	$t_{SDAS}$	$t_{IICcyc} + 50$	—	ns	
	Data input hold time	$t_{SDAH}$	0	—	ns	
	SCL, SDA capacitive load	$C_b^{*2}$	—	400	pF	

**Table 2.40 RIIC Timing (2/2)**

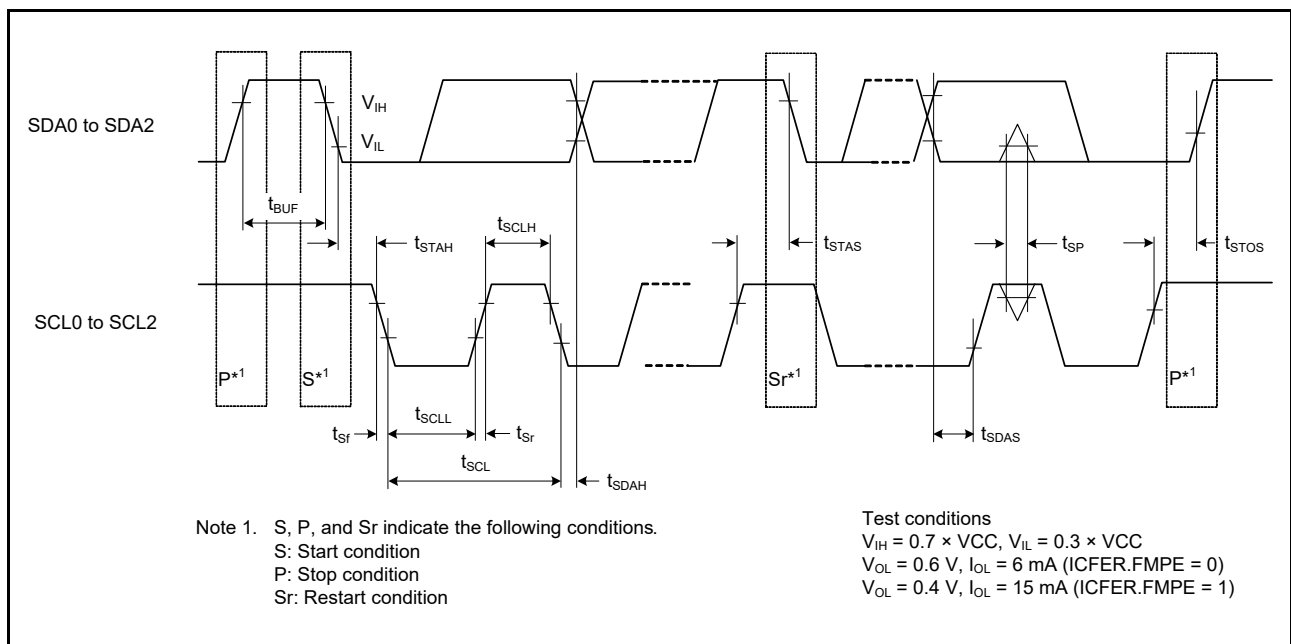
Conditions:  $V_{CC} = AV_{CC0} = AV_{CC1} = V_{CC\_USB} = V_{BATT} = 2.7$  to  $3.6$  V,  $2.7$  V  $\leq V_{REFH0} \leq AV_{CC0}$ ,  
 $V_{SS} = AV_{SS0} = AV_{SS1} = V_{REFL0} = V_{SS\_USB} = 0$  V,  
 $PCLKA = 8$  to  $120$  MHz,  $PCLKB = 8$  to  $60$  MHz,  $T_a = T_{opr}$ ,  
 High-drive output is selected by the driving ability control register.

Item	Symbol	Min.*1	Max.	Unit	Test Conditions	
RIIC (Fast-mode+) ICFER.FMPE = 1	SCL input cycle time	$t_{SCL}$	$6(12) \times t_{IICcyc} + 240$	—	ns	Figure 2.64
	SCL input high pulse width	$t_{SCLH}$	$3(6) \times t_{IICcyc} + 120$	—	ns	
	SCL input low pulse width	$t_{SCLL}$	$3(6) \times t_{IICcyc} + 120$	—	ns	
	SCL, SDA input rise time	$t_{Sr}$	—	120	ns	
	SCL, SDA input fall time	$t_{Sf}$	—	120	ns	
	SCL, SDA input spike pulse removal time	$t_{SP}$	0	$1(4) \times t_{IICcyc}$	ns	
	SDA input bus free time	$t_{BUF}$	$3(6) \times t_{IICcyc} + 120$	—	ns	
	Start condition input hold time	$t_{STAH}$	$t_{IICcyc} + 120$	—	ns	
	Restart condition input setup time	$t_{STAS}$	120	—	ns	
	Stop condition input setup time	$t_{STOS}$	120	—	ns	
	Data input setup time	$t_{SDAS}$	$t_{IICcyc} + 20$	—	ns	
	Data input hold time	$t_{SDAH}$	0	—	ns	
	SCL, SDA capacitive load	$C_b^{*2}$	—	550	pF	

Note:  $t_{IICcyc}$ : RIIC internal reference clock (IIC $\phi$ ) cycle

Note 1. The value within parentheses is applicable when the value of the ICMR3.NF[1:0] bits is 11b while the digital filter is enabled by the setting ICFER.NFE = 1.

Note 2.  $C_b$  is the total capacitance of the bus lines.



**Figure 2.64 RIIC Bus Interface Input/Output Timing**

## 2.4.7.13 MMC

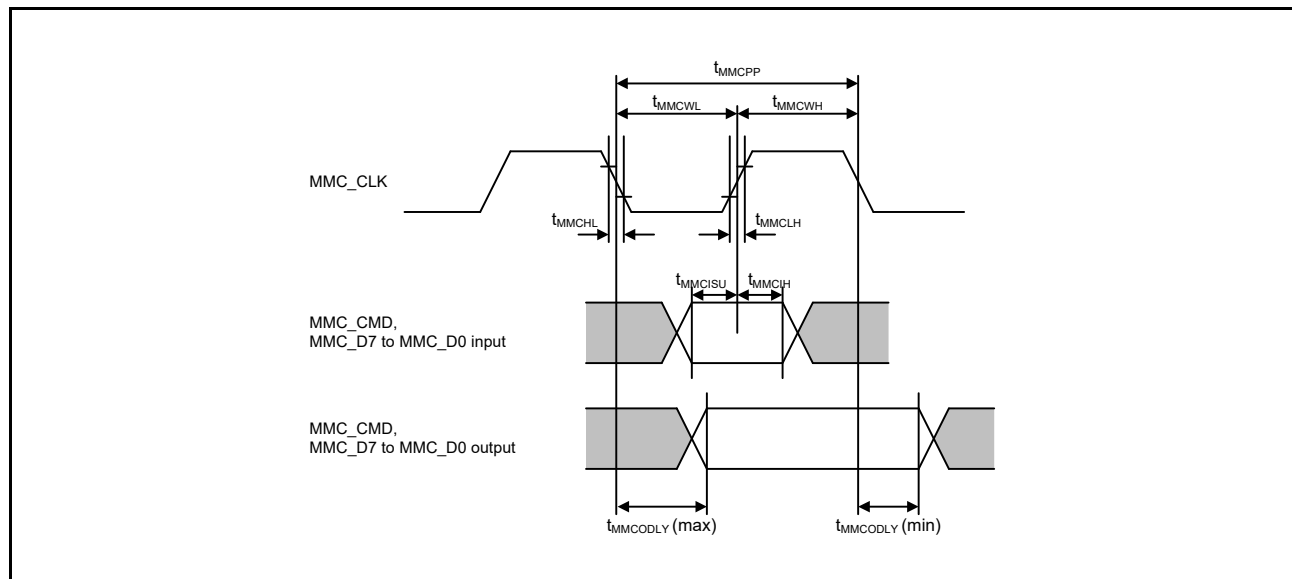
**Table 2.41 MMC Host Interface Timing**

Conditions:  $V_{CC} = AV_{CC0} = AV_{CC1} = V_{CC\_USB} = V_{BATT} = 2.7$  to  $3.6$  V,  $2.7$  V  $\leq$   $V_{REFH0} \leq AV_{CC0}$ ,  
 $V_{SS} = AV_{SS0} = AV_{SS1} = V_{REFL0} = V_{SS\_USB} = 0$  V,  
 $PCLKA = 8$  to  $120$  MHz,  $PCLKB = 8$  to  $60$  MHz,  $T_a = T_{opr}$ ,  
 Output load conditions:  $V_{OH} = 0.5 \times V_{CC}$ ,  $V_{OL} = 0.5 \times V_{CC}$ ,  $C = 30$  pF,  
 High-drive output is selected by the driving ability control register.

Item	Symbol	Min.*1	Max.	Unit	Test Conditions*2
MMCIF	MMC_CLK clock cycle	$2 \times t_{PBcyc}$	—	ns	Figure 2.65
	MMC_CLK clock high level width	6.5	—	ns	
	MMC_CLK clock low level width	6.5	—	ns	
	MMC_CLK clock rising time	—	3	ns	
	MMC_CLK clock falling time	—	3	ns	
	MMC_CMD, MMC_D7 to MMC_D0 output data delay (data transfer mode)	-6.6	6.6	ns	
	MMC_CMD, MMC_D7 to MMC_D0 input data setup	8	—	ns	
	MMC_CMD, MMC_D7 to MMC_D0 input data hold	2.5	—	ns	

Note 1.  $t_{PBcyc}$ : PCLKB cycle

Note 2. When a letter "-A", "-B", etc. to indicate group membership is appended to the pin name, each pin is recommended to use in combination with the pins in the same group. All MMC AC timings are measured in combination with the pins in the same group.

**Figure 2.65 MMC Interface**

## 2.4.7.14 ETHERC

**Table 2.42 ETHERC Timing**

Conditions: VCC = AVCC0 = AVCC1 = VCC\_USB = V<sub>BATT</sub> = 2.7 to 3.6 V, 2.7 V ≤ VREFH0 ≤ AVCC0,  
VSS = AVSS0 = AVSS1 = VREFL0 = VSS\_USB = 0 V,  
PCLKA = 8 to 120 MHz, PCLKB = 8 to 60 MHz, T<sub>a</sub> = T<sub>opr</sub>,  
Output load conditions: V<sub>OH</sub> = 0.5 × VCC, V<sub>OL</sub> = 0.5 × VCC, C = 30 pF,  
High-drive output is selected by the driving ability control register.

	Item	Symbol	Min.	Max.	Unit	Test Conditions
ETHERC (RMII)	REF50CK cycle time	T <sub>ck</sub>	20	—	ns	Figure 2.66 to Figure 2.69
	REF50CK frequency Typ. 50 MHz	—	—	50 + 100 ppm	MHz	
	REF50CK duty	—	35	65	%	
	REF50CK rise/fall time	T <sub>ckr/ckf</sub>	0.5	3.5	ns	
	RMII0_xxxx*1 output delay time	T <sub>co</sub>	2.5	15.0	ns	
	RMII0_xxxx*2 setup time	T <sub>su</sub>	3	—	ns	
	RMII0_xxxx*2 hold time	T <sub>hd</sub>	1	—	ns	
	RMII0_xxxx*1, *2 rise/fall time	T <sub>r</sub> /T <sub>f</sub>	0.5	5	ns	
	ET0_WOL output delay time	t <sub>WOLd</sub>	1	23.5	ns	
ETHERC (MII)	ET0_TX_CLK cycle time	t <sub>Tcyc</sub>	40	—	ns	—
	ET0_TX_EN output delay time	t <sub>TEND</sub>	1	20	ns	Figure 2.71
	ET0_ETXD0 to ET0_ETXD3 output delay time	t <sub>MTDd</sub>	1	20	ns	
	ET0_CRSDV setup time	t <sub>CRSDs</sub>	10	—	ns	
	ET0_CRSDV hold time	t <sub>CRSh</sub>	10	—	ns	Figure 2.72
	ET0_COL setup time	t <sub>COLs</sub>	10	—	ns	
	ET0_COL hold time	t <sub>COLh</sub>	10	—	ns	
	ET0_RX_CLK cycle time	t <sub>TRcyc</sub>	40	—	ns	—
	ET0_RX_DV setup time	t <sub>RDVs</sub>	10	—	ns	Figure 2.73
	ET0_RX_DV hold time	t <sub>RDVh</sub>	10	—	ns	
	ET0_ERXD0 to ET0_ERXD3 setup time	t <sub>MRDs</sub>	10	—	ns	
	ET0_ERXD0 to ET0_ERXD3 hold time	t <sub>MRDh</sub>	10	—	ns	Figure 2.74
	ET0_RX_ER setup time	t <sub>RERs</sub>	10	—	ns	
	ET0_RX_ER hold time	t <sub>RERh</sub>	10	—	ns	
	ET0_WOL output delay time	t <sub>WOLd</sub>	1	23.5	ns	Figure 2.75

Note 1. RMII0\_TXD\_EN, RMII0\_TXD1, RMII0\_TXD0

Note 2. RMII0\_CRSDV, RMII0\_RXD1, RMII0\_RXD0, RMII0\_RX\_ER

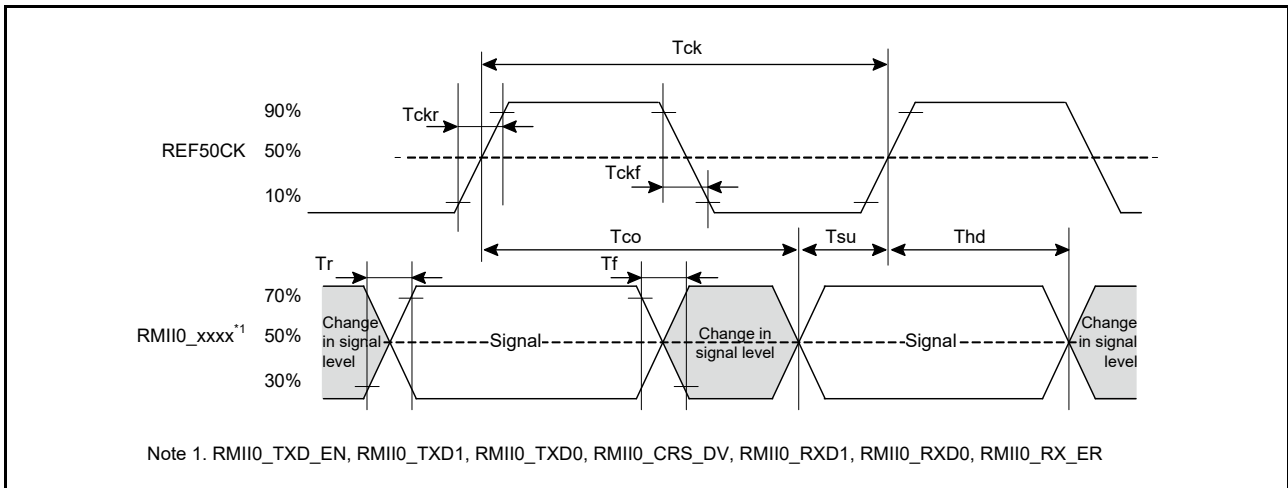


Figure 2.66 Timing with the REF50CK and RMII Signals

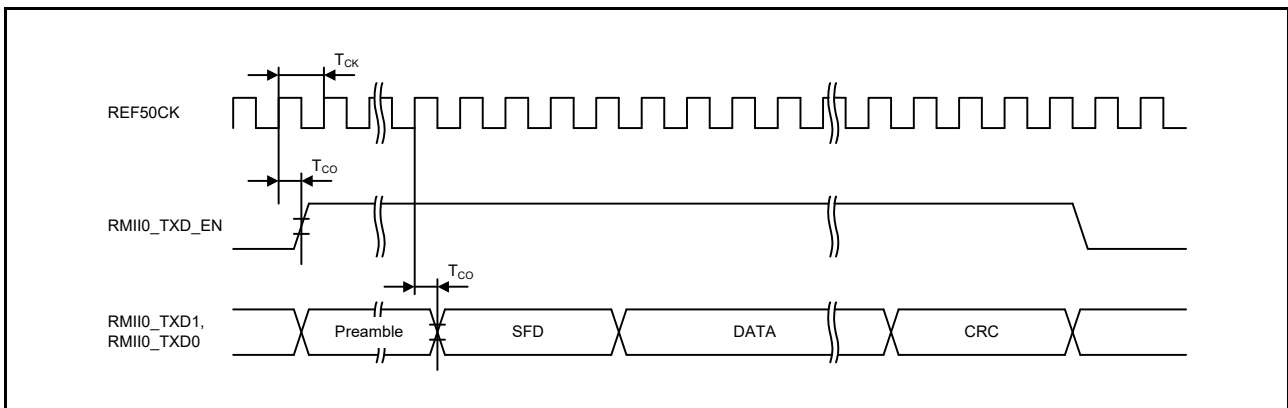


Figure 2.67 RMII Transmission Timing

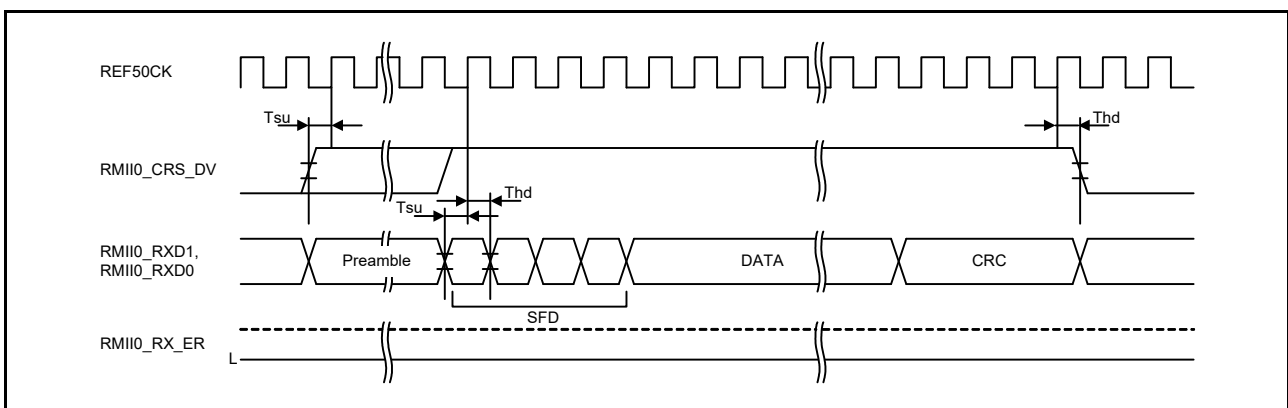


Figure 2.68 RMII Reception Timing (Normal Operation)

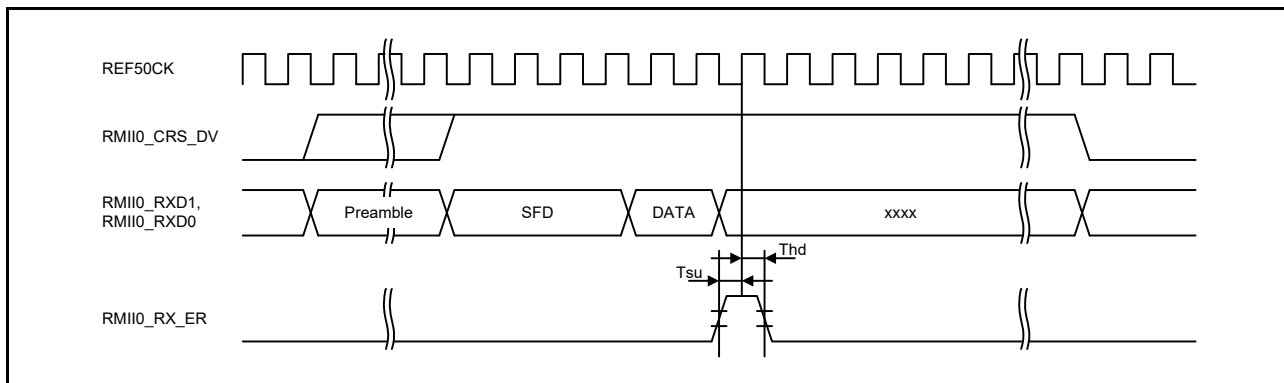


Figure 2.69 RMI Reception Timing (Error Occurrence)

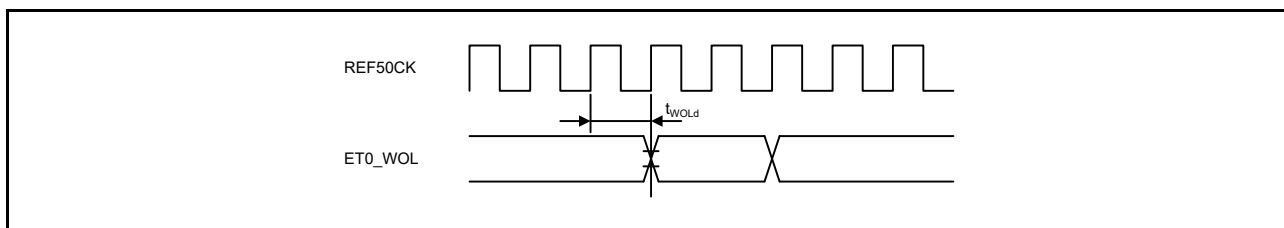


Figure 2.70 WOL Output Timing (RMI)

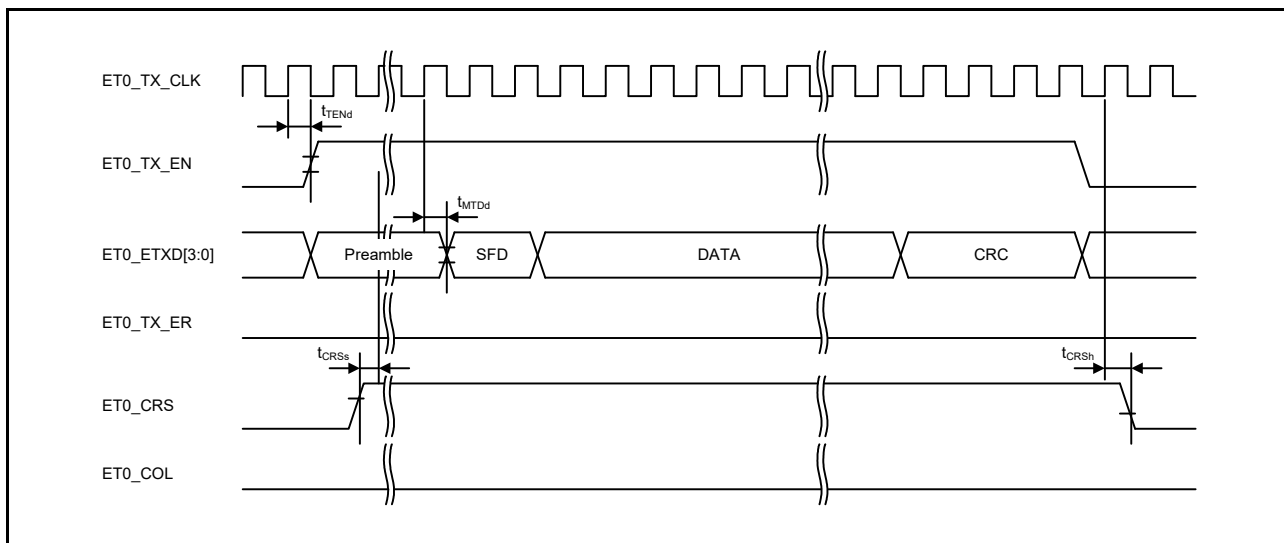


Figure 2.71 MII Transmission Timing (Normal Operation)

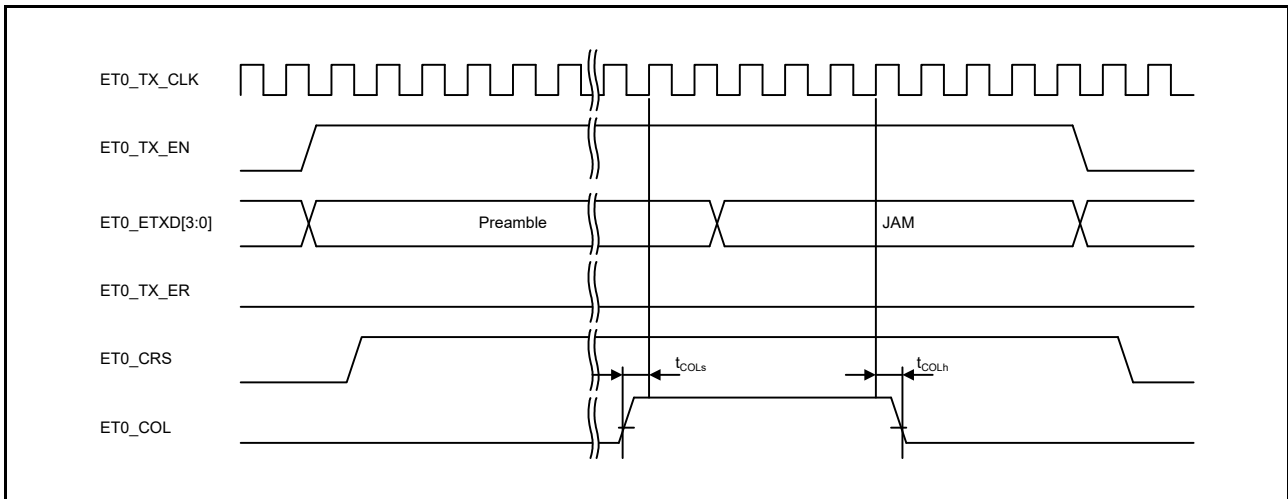


Figure 2.72 MII Transmission Timing (Conflict Occurrence)

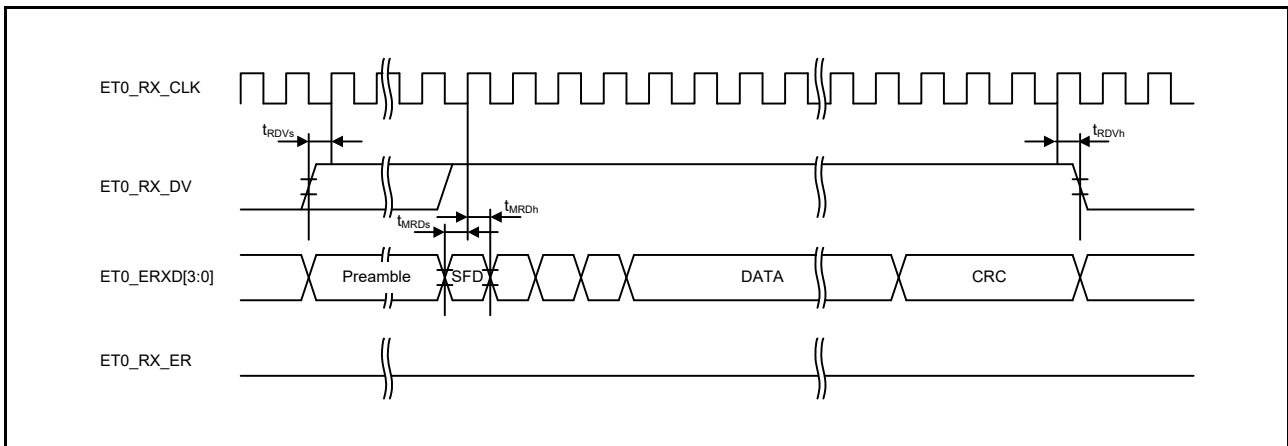


Figure 2.73 MII Reception Timing (Normal Operation)

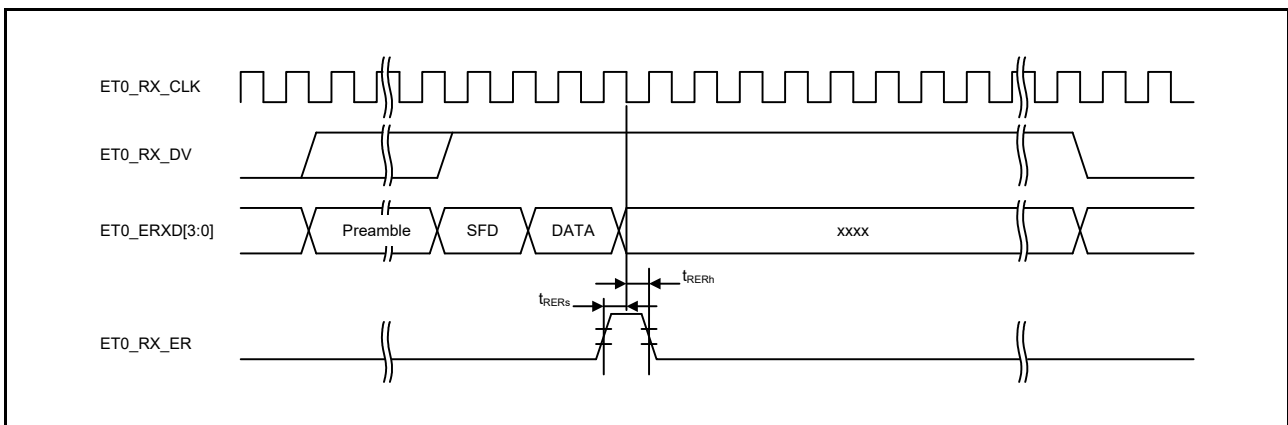


Figure 2.74 MII Reception Timing (Error Occurrence)



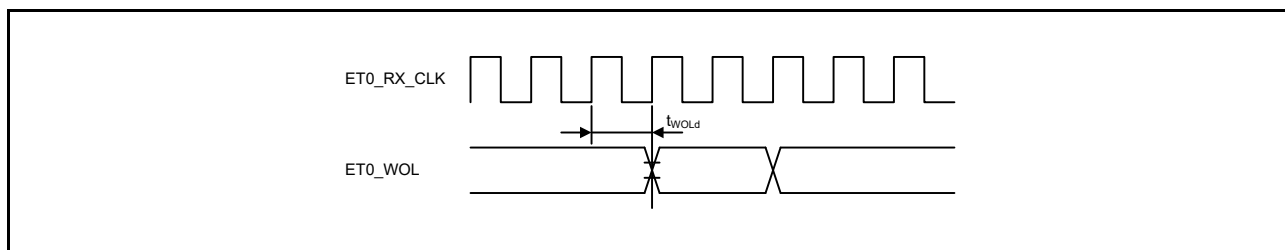


Figure 2.75 WOL Output Timing (MII)

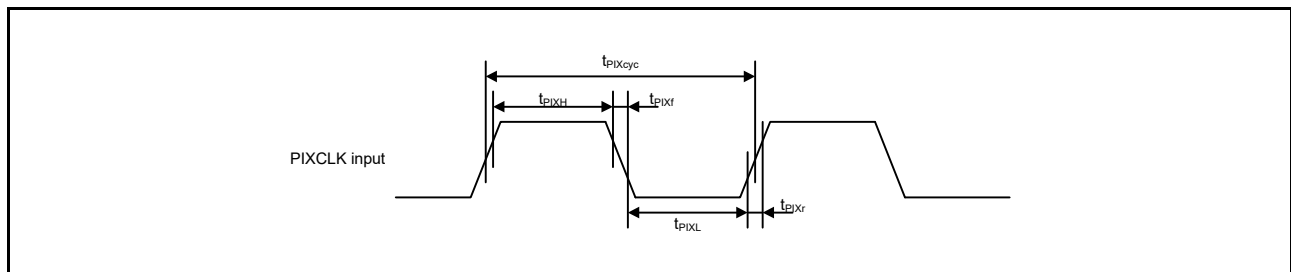
2.4.7.15 PDC

**Table 2.43 PDC Timing**

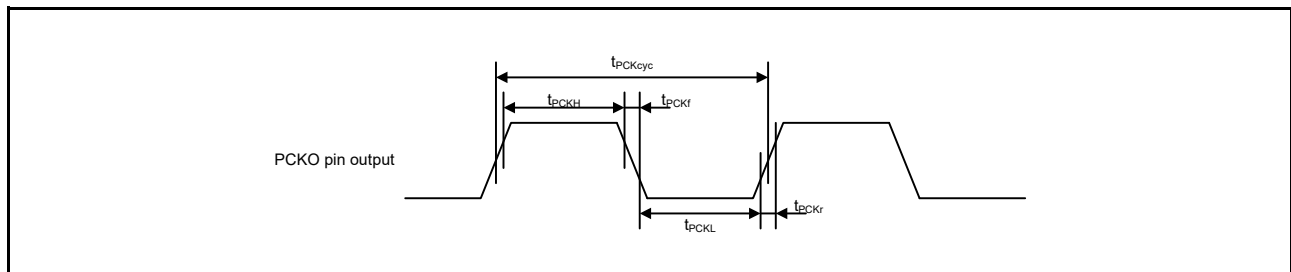
Conditions:  $V_{CC} = AVCC0 = AVCC1 = V_{CC\_USB} = V_{BATT} = 2.7$  to  $3.6$  V,  $2.7$  V  $\leq V_{REFH0} \leq AVCC0$ ,  
 $V_{SS} = AVSS0 = AVSS1 = V_{REFL0} = V_{SS\_USB} = 0$  V,  
 $PCLKA = 8$  to  $120$  MHz,  $PCLKB = 8$  to  $60$  MHz,  $T_a = T_{opr}$ ,  
 Output load conditions:  $V_{OH} = 0.5 \times V_{CC}$ ,  $V_{OL} = 0.5 \times V_{CC}$ ,  $C = 30$  pF,  
 High-drive output is selected by the driving ability control register.

Item	Symbol	Min.*1	Max.	Unit	Test Conditions	
PDC	PIXCLK input cycle time	$t_{PIXcyc}$	37	—	ns	Figure 2.76
	PIXCLK input high pulse width	$t_{PIXH}$	10	—	ns	
	PIXCLK input low pulse width	$t_{PIXL}$	10	—	ns	
	PIXCLK rising time	$t_{PIXr}$	—	5	ns	
	PIXCLK falling time	$t_{PIXf}$	—	5	ns	
PCKO output cycle time	PCKO output cycle time	$t_{PCKcyc}$	$2 \times t_{PBcyc}$	—	ns	Figure 2.77
	PCKO output high pulse width	$t_{PCKH}$	$(t_{PCKcyc} - t_{PCKr} - t_{PCKf})/2 - 3$	—	ns	
	PCKO output low pulse width	$t_{PCKL}$	$(t_{PCKcyc} - t_{PCKr} - t_{PCKf})/2 - 3$	—	ns	
	PCKO rising time	$t_{PCKr}$	—	5	ns	
	PCKO falling time	$t_{PCKf}$	—	5	ns	
VSYNC/HSYNC input setup time	VSYNC/HSYNC input setup time	$t_{SYNCS}$	10	—	ns	Figure 2.78
	VSYNC/HSYNC input hold time	$t_{SYNCH}$	5	—	ns	
	PIXD input setup time	$t_{PIXDS}$	10	—	ns	
	PIXD input hold time	$t_{PIXDH}$	5	—	ns	

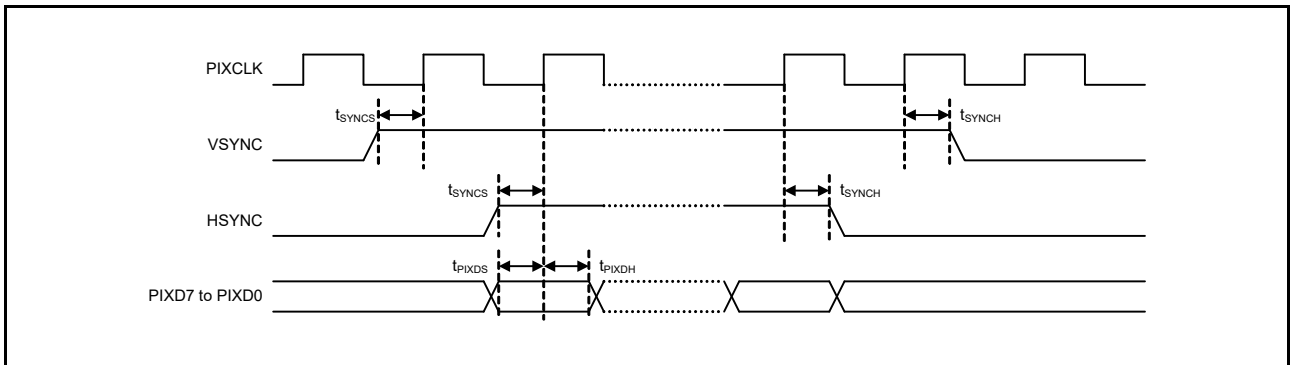
Note 1.  $t_{PBcyc}$ : PCLKB cycle



**Figure 2.76 PDC Input Clock Timing**



**Figure 2.77 PDC Output Clock Timing**



**Figure 2.78 PDC AC Timing**

2.4.7.16 GLCDC

**Table 2.44 GLCDC Timing**

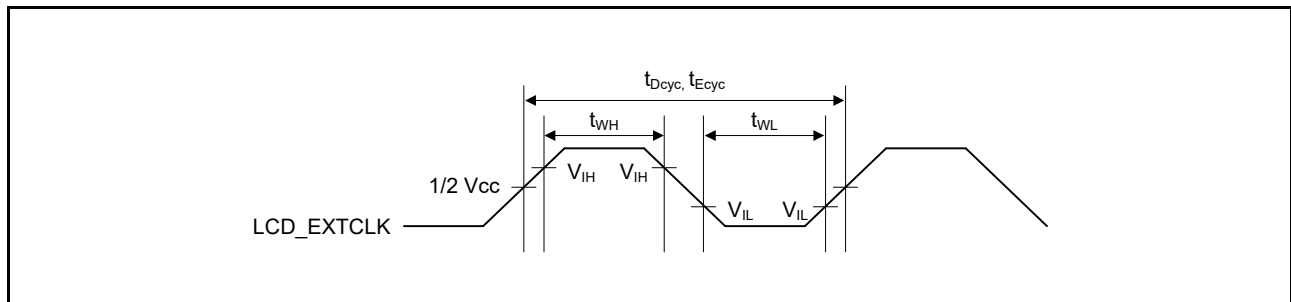
Conditions:  $V_{CC} = AV_{CC0} = AV_{CC1} = V_{CC\_USB} = V_{BATT} = 2.7$  to  $3.6$  V,  $2.7$  V  $\leq V_{REFH0} \leq AV_{CC0}$ ,  
 $V_{SS} = AV_{SS0} = AV_{SS1} = V_{REFL0} = V_{SS\_USB} = 0$  V,  
 $PCLKA = 8$  to  $120$  MHz,  $PCLKB = 8$  to  $60$  MHz,  $T_a = T_{opr}$ ,  
 Output load conditions:  $V_{OH} = 0.5 \times V_{CC}$ ,  $V_{OL} = 0.5 \times V_{CC}$ ,  $C = 30$  pF

Item	Symbol	Min.	Typ.	Max.	Unit	Test Conditions
LCD_EXTCLK input clock frequency	$t_{E_{cyc}}$	—	—	30*1	MHz	Figure 2.79
LCD_EXTCLK input clock low pulse width	$t_{WL}$	0.45	—	0.55	$t_{E_{cyc}}$	
LCD_EXTCLK input clock high pulse width	$t_{WH}$	0.45	—	0.55	$t_{E_{cyc}}$	
LCD_CLK output clock frequency	$t_{L_{cyc}}$	—	—	30*1	MHz	Figure 2.80
LCD_CLK output clock low pulse width	$t_{LOL}$	0.4	—	0.6	$t_{L_{cyc}}$	
LCD_CLK output clock high pulse width	$t_{LOH}$	0.4	—	0.6	$t_{L_{cyc}}$	
LCD_CLK output clock rise time	$t_{LOR}$	—	—	5	ns	
LCD_CLK output clock fall time	$t_{LOF}$	—	—	5	ns	
LCD data output delay timing	$t_{DD}$	-3.5*2	—	4*2	ns	Figure 2.81

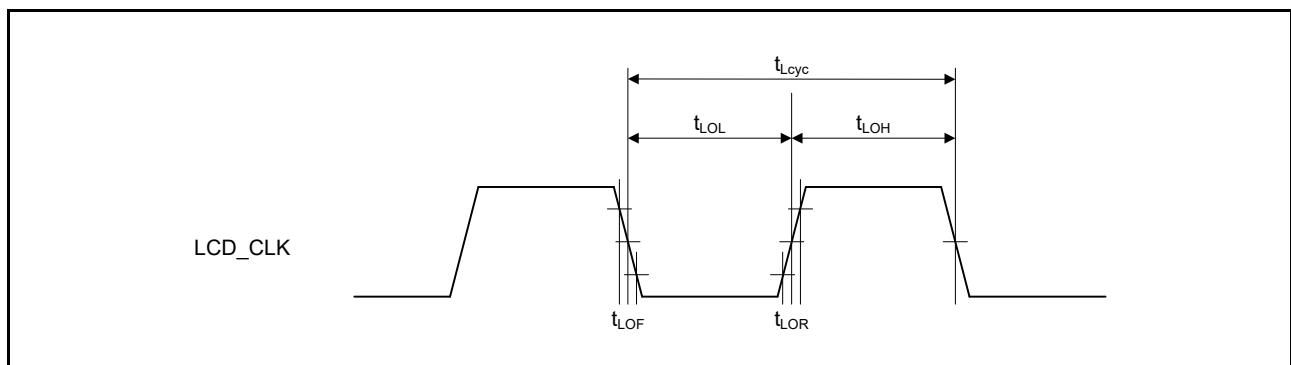
Note 1. Parallel RGB888,666,565: Max. 27 MHz  
 Serial RGB888: Max. 30 MHz (4x speed)

Note 2. When a letter “-A”, “-B”, etc. to indicate group membership is appended to the pin name, each pin is recommended to use in combination with the pins in the same group. All GLCDC AC timings are measured in combination with the pins in the same group.

If we use group “-A” and “-B” combination, “LCD data output Delay timing ( $t_{DD}$ )” is Min = -5.0 ns, Max = 5.5 ns.



**Figure 2.79 LCD\_EXTCLK Clock Input Timing**



**Figure 2.80 LCD\_CLK Clock Output Timing**

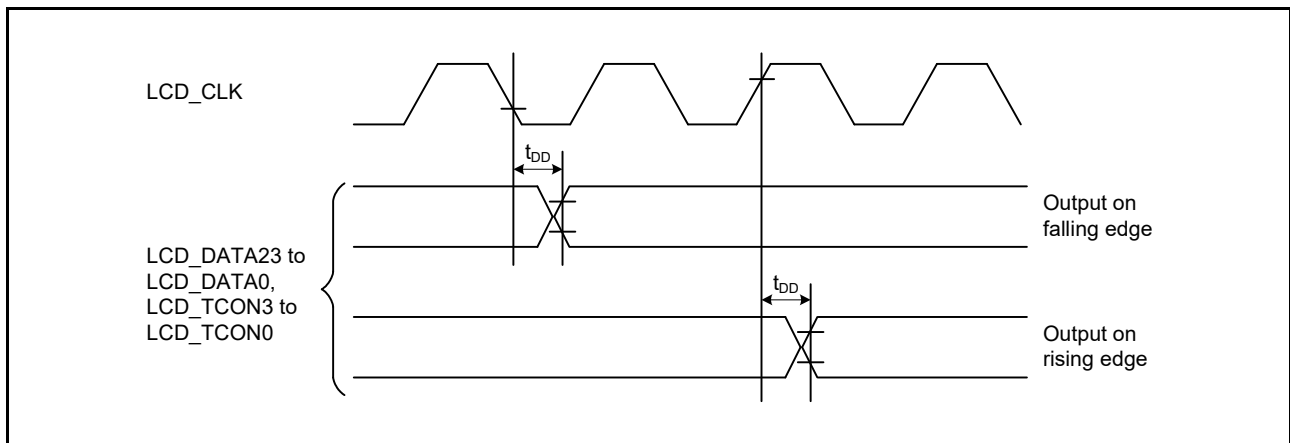


Figure 2.81 LCD Output Data Timing

2.4.7.17 SDHI

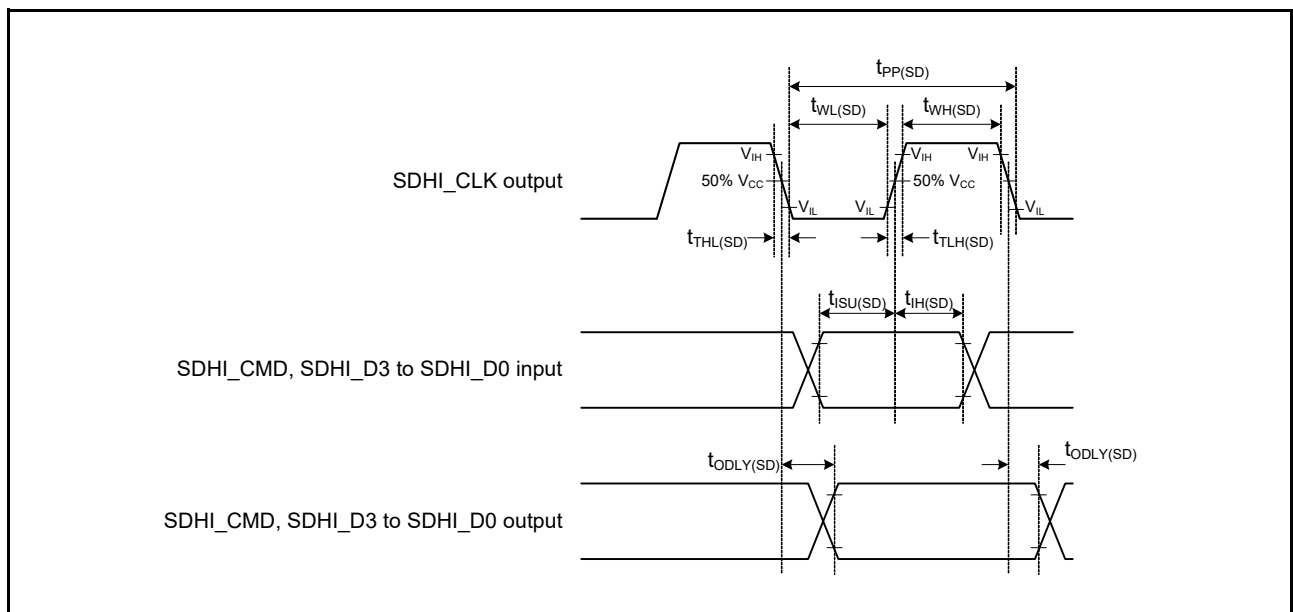
**Table 2.45 SDHI Timing**

Conditions:  $V_{CC} = AVCC0 = AVCC1 = V_{CC\_USB} = V_{BATT} = 2.7$  to  $3.6$  V,  $2.7$  V  $\leq V_{REFH0} \leq AVCC0$ ,  
 $V_{SS} = AVSS0 = AVSS1 = V_{REFL0} = V_{SS\_USB} = 0$  V,  
 $PCLKA = 8$  to  $120$  MHz,  $PCLKB = 8$  to  $60$  MHz,  $T_a = T_{opr}$ ,  
 Output load conditions:  $V_{OH} = 0.5 \times V_{CC}$ ,  $V_{OL} = 0.5 \times V_{CC}$ ,  $C = 30$  pF,  
 High-drive output is selected by the driving ability control register.\*1

Item	Symbol	Min.	Max.	Unit	Test Conditions*2	
SDHI	SDHI_CLK pin output cycle time	$t_{PP(SD)}$	20	—	ns	Figure 2.82
	SDHI_CLK pin output high pulse width	$t_{WH(SD)}$	$0.4 \times t_{PP(SD)}$	—	ns	
	SDHI_CLK pin output low pulse width	$t_{WL(SD)}$	$0.4 \times t_{PP(SD)}$	—	ns	
	SDHI_CLK pin output rise time	$t_{TLH(SD)}$	—	3	ns	
	SDHI_CLK pin output fall time	$t_{THL(SD)}$	—	3	ns	
	Output data delay time (data transfer mode) for SDHI_CMD and SDHI_D0 to SDHI_D3 pins	$t_{ODLY(SD)}$	-6.5	4	ns	
	Input data setup time for SDHI_CMD and SDHI_D0 to SDHI_D3 pins	$t_{ISU(SD)}$	6	—	ns	
	Input data hold time for SDHI_CMD and SDHI_D0 to SDHI_D3 pins	$t_{IH(SD)}$	2	—	ns	

Note 1. In the G-version products, the AC characteristics are measured by setting the drive capacity control register 2 corresponding the SDHI\_CLK-C pin as a high-speed interface high-drive output.

Note 2. When a letter "-A", "-B", etc. to indicate group membership is appended to the pin name, each pin is recommended to use in combination with the pins in the same group. All SDHI AC timings are measured in combination with the pins in the same group.



**Figure 2.82 SD Host Interface Input/Output Signal Timing**

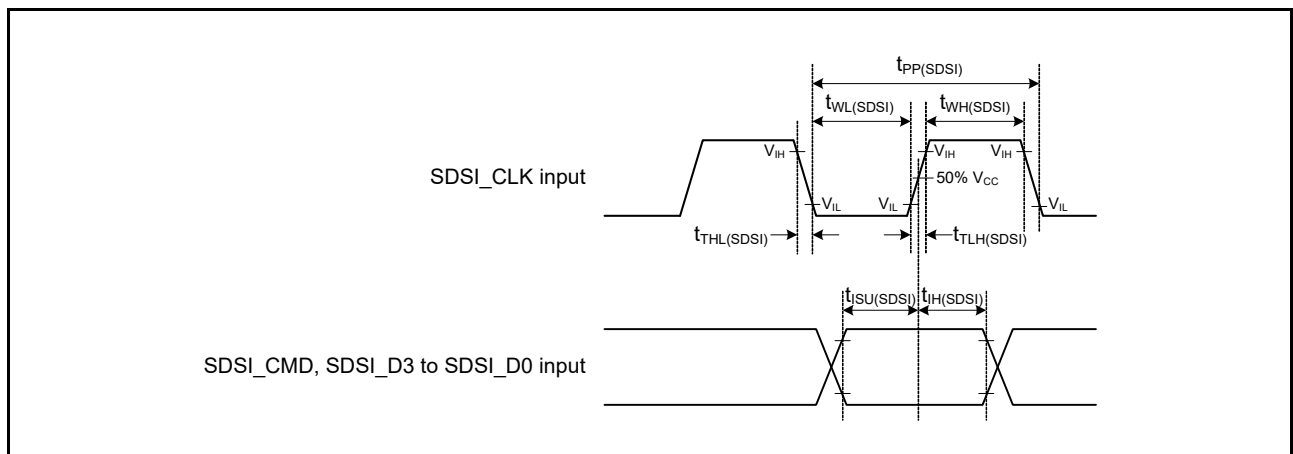
2.4.7.18 SDSI

**Table 2.46 SDSI Timing**

Conditions:  $V_{CC} = AVCC0 = AVCC1 = VCC\_USB = V_{BATT} = 2.7$  to  $3.6$  V,  $2.7$  V  $\leq V_{REFH0} \leq AVCC0$ ,  
 $V_{SS} = AVSS0 = AVSS1 = V_{REFL0} = V_{SS\_USB} = 0$  V,  
 $PCLKA = 8$  to  $120$  MHz,  $PCLKB = 8$  to  $60$  MHz,  $T_a = T_{opr}$ ,  
 Output load conditions:  $V_{OH} = 0.5 \times V_{CC}$ ,  $V_{OL} = 0.5 \times V_{CC}$ ,  $C = 30$  pF,  
 High-drive output is selected by the driving ability control register.

Item	Symbol	Min.	Max.	Unit	Test Conditions*1	
SDSI	SDSI_CLK pin input cycle time	$t_{PP(SDSI)}$	20	—	ns	Figure 2.83
	SDSI_CLK pin input high pulse width	$t_{WH(SDSI)}$	$0.4 \times t_{PP(SDSI)}$	—	ns	
	SDSI_CLK pin input low pulse width	$t_{WL(SDSI)}$	$0.4 \times t_{PP(SDSI)}$	—	ns	
	SDSI_CLK pin input rise time	$t_{TLH(SDSI)}$	—	3	ns	
	SDSI_CLK pin input fall time	$t_{THL(SDSI)}$	—	3	ns	
	Input data setup time for SDSI_CMD and SDSI_D0 to SDSI_D3 pins	$t_{SU(SDSI)}$	5	—	ns	
	Input data hold time for SDSI_CMD and SDSI_D0 to SDSI_D3 pins	$t_{IH(SDSI)}$	2	—	ns	
Output data delay time for SDSI_CMD and SDSI_D0 to SDSI_D3 pins (default speed mode)	$t_{ODLY(SDSI)}$	0	14	ns	Figure 2.84	
Output data delay time for SDSI_CMD and SDSI_D0 to SDSI_D3 pins (high speed mode)		2.5	14	ns	Figure 2.85	

Note 1. When a letter “-A”, “-B”, etc. to indicate group membership is appended to the pin name, each pin is recommended to use in combination with the pins in the same group. All SDSI AC timings are measured in combination with the pins in the same group.



**Figure 2.83 SD Slave Interface Input Signal Timing**

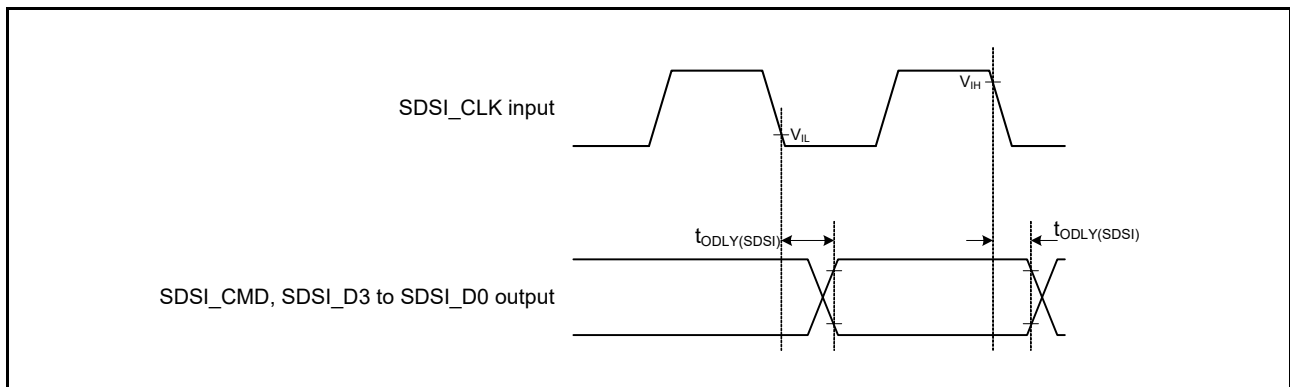


Figure 2.84 SD Slave Interface Output Signal Timing (Default Speed Mode)

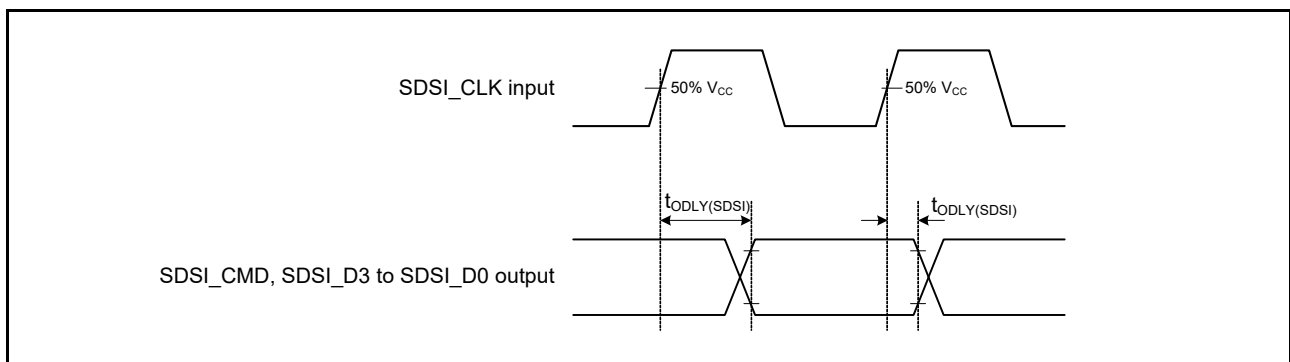


Figure 2.85 SD Slave Interface Output Signal Timing (High Speed Mode)

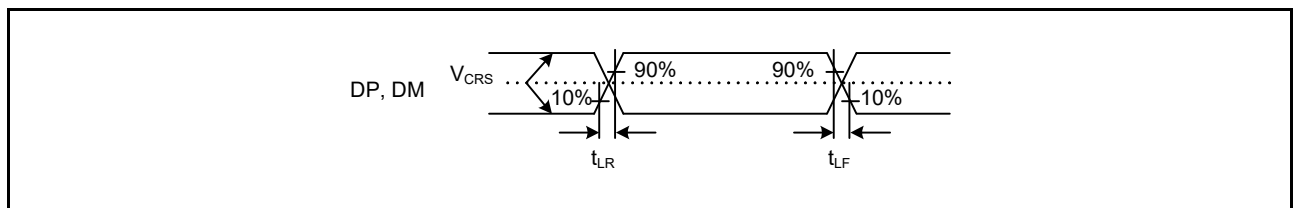


2.5 USB Characteristics

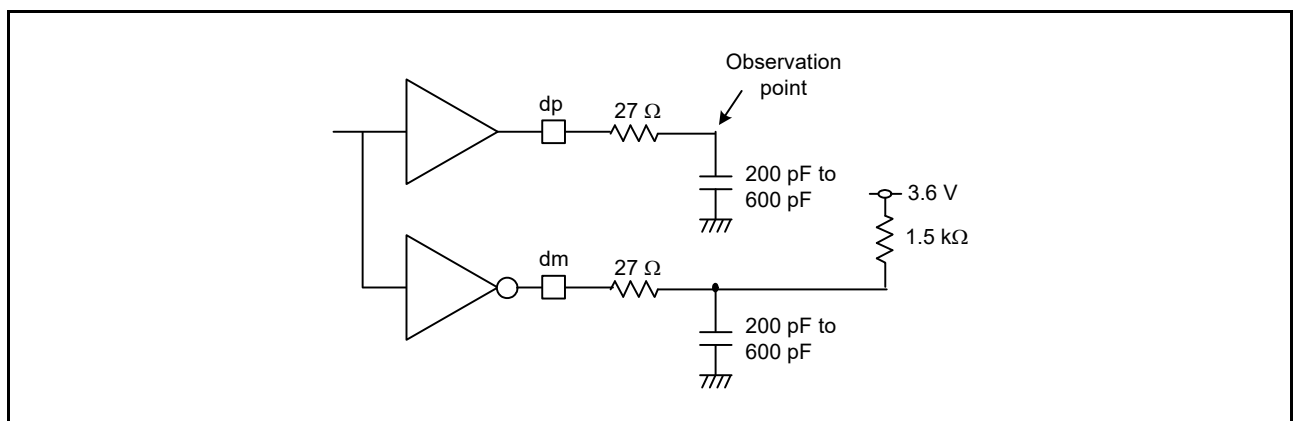
**Table 2.47 On-Chip USB Low Speed (Host Only) Characteristics (DP and DM Pin Characteristics)**

Conditions:  $V_{CC} = AV_{CC0} = AV_{CC1} = V_{CC\_USB} = V_{BATT} = 3.0$  to  $3.6$  V,  $3.0$  V  $\leq V_{REFH0} \leq AV_{CC0}$ ,  
 $V_{SS} = AV_{SS0} = AV_{SS1} = V_{REFL0} = V_{SS\_USB} = 0$  V,  
 $U_{CLK} = 48$  MHz,  $P_{CLKA} = 8$  to  $120$  MHz,  $P_{CLKB} = 8$  to  $60$  MHz,  $T_a = T_{opr}$

Item	Symbol	Min.	Typ.	Max.	Unit	Test Conditions	
Input characteristics	Input high level voltage	$V_{IH}$	2.0	—	—	V	
	Input low level voltage	$V_{IL}$	—	—	0.8	V	
	Differential input sensitivity	$V_{DI}$	0.2	—	—	V	DP – DM
	Differential common mode range	$V_{CM}$	0.8	—	2.5	V	
Output characteristics	Output high level voltage	$V_{OH}$	2.8	—	3.6	V	$I_{OH} = -200 \mu A$
	Output low level voltage	$V_{OL}$	0.0	—	0.3	V	$I_{OL} = 2$ mA
	Cross-over voltage	$V_{CRS}$	1.3	—	2.0	V	Figure 2.86
	Rise time	$t_{LR}$	75	—	300	ns	
	Fall time	$t_{LF}$	75	—	300	ns	
	Rise/fall time ratio	$t_{LR}/t_{LF}$	80	—	125	%	$t_{LR}/t_{LF}$
Pull-down characteristics (when the host controller function is selected)	$R_{pd}$	14.25	—	24.80	k $\Omega$		



**Figure 2.86 DP and DM Output Timing (Low Speed)**

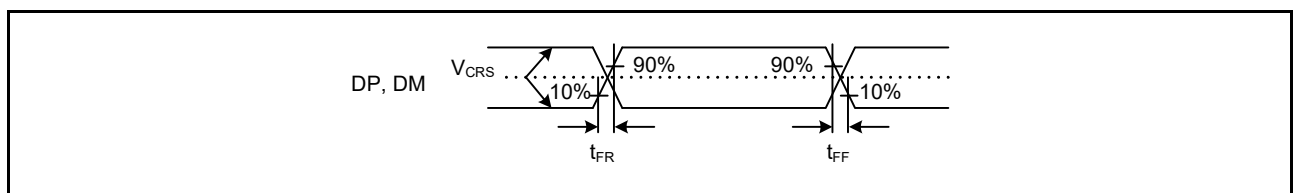


**Figure 2.87 Test Circuit (Low Speed)**

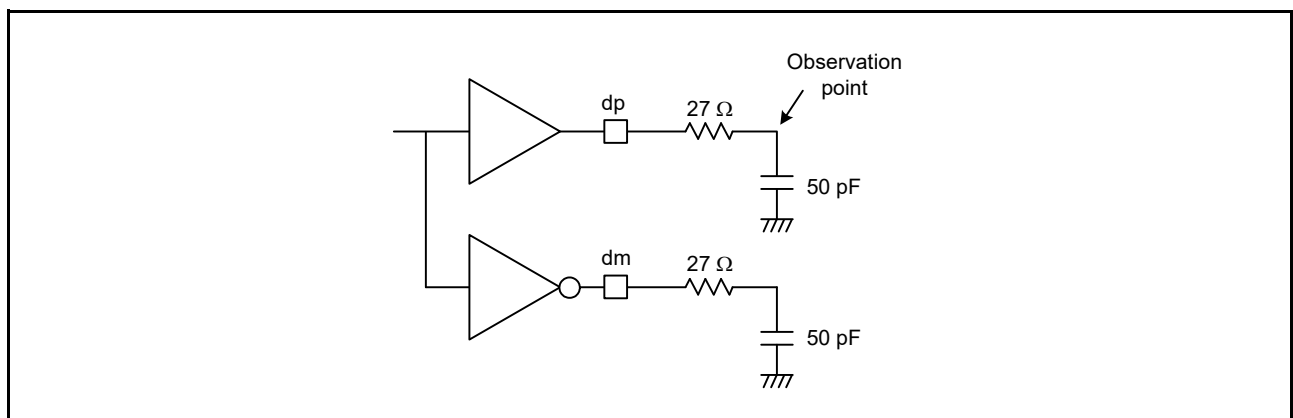
**Table 2.48 On-Chip USB Full-Speed Characteristics (DP and DM Pin Characteristics)**

Conditions:  $V_{CC} = AVCC0 = AVCC1 = V_{CC\_USB} = V_{BATT} = 3.0$  to  $3.6$  V,  $3.0$  V  $\leq$   $V_{REFH0} \leq AVCC0$ ,  
 $V_{SS} = AVSS0 = AVSS1 = V_{REFL0} = V_{SS\_USB} = 0$  V,  
 $UCLK = 48$  MHz,  $PCLKA = 8$  to  $120$  MHz,  $PCLKB = 8$  to  $60$  MHz,  $T_a = T_{opr}$

Item	Symbol	Min.	Typ.	Max.	Unit	Test Conditions	
Input characteristics	Input high level voltage	$V_{IH}$	2.0	—	—	V	
	Input low level voltage	$V_{IL}$	—	—	0.8	V	
	Differential input sensitivity	$V_{DI}$	0.2	—	—	V	DP – DM
	Differential common mode range	$V_{CM}$	0.8	—	2.5	V	
Output characteristics	Output high level voltage	$V_{OH}$	2.8	—	3.6	V	$I_{OH} = -200$ $\mu$ A
	Output low level voltage	$V_{OL}$	0.0	—	0.3	V	$I_{OL} = 2$ mA
	Cross-over voltage	$V_{CRS}$	1.3	—	2.0	V	Figure 2.88
	Rise time	$t_{FR}$	4	—	20	ns	
	Fall time	$t_{FF}$	4	—	20	ns	
	Rise/fall time ratio	$t_{FR}/t_{FF}$	90	—	111.11	%	$t_{FR}/t_{FF}$
	Output resistance	$Z_{DRV}$	28	—	44	$\Omega$	$R_s = 27$ $\Omega$ included
Pull-up and pull-down characteristics	DP pull-up resistance (when the function controller function is selected)	$R_{pu}$	0.900	—	1.575	k $\Omega$	Idle state
			1.425	—	3.090		At transmission and reception
	DP/DM pull-down resistance (when the host controller function is selected)	$R_{pd}$	14.25	—	24.80	k $\Omega$	



**Figure 2.88 DP and DM Output Timing (Full-Speed)**



**Figure 2.89 Test Circuit (Full-Speed)**

## 2.6 A/D Conversion Characteristics

**Table 2.49 12-Bit A/D (Unit 0) Conversion Characteristics**

Conditions:  $V_{CC} = AV_{CC0} = AV_{CC1} = V_{CC\_USB} = V_{BATT} = 2.7$  to  $3.6$  V,  $2.7$  V  $\leq V_{REFH0} \leq AV_{CC0}$ ,  
 $V_{SS} = AV_{SS0} = AV_{SS1} = V_{REFL0} = V_{SS\_USB} = 0$  V,  
 $P_{CLKB} = P_{CLKC} = 1$  MHz to  $60$  MHz,  $T_a = T_{opr}$ ,  
 Source impedance =  $1.0$  k $\Omega$

Item		Min.	Typ.	Max.	Unit	Test Conditions
Resolution		8	—	12	Bit	
Analog input capacitance		—	—	30	pF	
Channel-dedicated sample-and-hold circuits in use (AN000 to AN002)	Conversion time*1 (Operation at PCLKC = 60 MHz)	1.06 (0.4 + 0.25)*2	—	—	$\mu$ s	<ul style="list-style-type: none"> <li>Sampling of channel-dedicated sample-and-hold circuits in 24 states</li> <li>Sampling in 15 states</li> </ul>
	Offset error	—	$\pm 1.5$	$\pm 3.5$	LSB	AN000 to AN002 = 0.25 V
	Full-scale error	—	$\pm 1.5$	$\pm 3.5$	LSB	AN000 to AN002 = $V_{REFH0} - 0.25$ V
	Quantization error	—	$\pm 0.5$	—	LSB	
	Absolute accuracy	—	$\pm 3.0$	$\pm 5.5$	LSB	
	DNL differential nonlinearity error	—	$\pm 1.0$	$\pm 2.0$	LSB	
	INL integral nonlinearity error	—	$\pm 1.5$	$\pm 3.0$	LSB	
	Holding characteristics of sample-and-hold circuits	—	—	20	$\mu$ s	
Dynamic range		0.25	—	$V_{REFH0} - 0.25$	V	
Channel-dedicated sample-and-hold circuits not in use (AN000 to AN007)	Conversion time*1 (Operation at PCLKC = 60 MHz)	0.48 (0.267)*2	—	—	$\mu$ s	Sampling in 16 states
	Offset error	—	$\pm 1.0$	$\pm 2.5$	LSB	
	Full-scale error	—	$\pm 1.0$	$\pm 2.5$	LSB	
	Quantization error	—	$\pm 0.5$	—	LSB	
	Absolute accuracy	—	$\pm 2.5$	$\pm 4.5$	LSB	
	DNL differential nonlinearity error	—	$\pm 0.5$	$\pm 1.5$	LSB	
	INL integral nonlinearity error	—	$\pm 1.0$	$\pm 2.5$	LSB	

Note: The above specification values apply when there is no access to the external bus during A/D conversion. If access proceeds during A/D conversion, values may not fall within the above ranges.

Note 1. The conversion time includes the sampling time and the comparison time. As the test conditions, the number of sampling states is indicated.

Note 2. The value in parentheses indicates the sampling time.

**Table 2.50 12-Bit A/D (Unit 1) Conversion Characteristics**

Conditions:  $V_{CC} = AVCC0 = AVCC1 = V_{CC\_USB} = V_{BATT} = 2.7$  to  $3.6$  V,  $2.7$  V  $\leq V_{REFH0} \leq AVCC0$ ,  
 $V_{SS} = AVSS0 = AVSS1 = V_{REFL0} = V_{SS\_USB} = 0$  V,  
 $PCLKB = PCLKD = 1$  MHz to  $60$  MHz,  $T_a = T_{opr}$ ,  
 Source impedance =  $1.0$  k $\Omega$

Item	Min.	Typ.	Max.	Unit	Test Conditions
Resolution	8	—	12	Bit	
Conversion time*1 (Operation at PCLKD = 60 MHz)	0.88 (0.633)*2	—	—	$\mu$ s	Sampling in 38 states (ADSAM.SAM = 1)
Conversion time*1 (Operation at PCLKD = 30 MHz)	1 (0.500)*2	—	—	$\mu$ s	Sampling in 15 states (ADSAM.SAM = 1)
Analog input capacitance	—	—	30	pF	
Offset error	—	$\pm 2.0$	$\pm 3.5$	LSB	
Full-scale error	—	$\pm 2.0$	$\pm 3.5$	LSB	
Quantization error	—	$\pm 0.5$	—	LSB	
Absolute accuracy	—	$\pm 4.0$	$\pm 6.0$	LSB	
DNL differential nonlinearity error (Operation at PCLKD = 60 MHz)	—	$\pm 1.5$	$\pm 4.0$	LSB	
DNL differential nonlinearity error (Operation at PCLKD = 30 MHz)	—	$\pm 1.5$	$\pm 2.5$	LSB	
INL integral nonlinearity error (Operation at PCLKD = 60 MHz)	—	$\pm 2.0$	$\pm 4.0$	LSB	
INL integral nonlinearity error (Operation at PCLKD = 30 MHz)	—	$\pm 2.0$	$\pm 3.5$	LSB	

Note: The above specification values apply when there is no access to the external bus during A/D conversion. If access proceeds during A/D conversion, values may not fall within the above ranges.

Note 1. The conversion time includes the sampling time and the comparison time. As the test conditions, the number of sampling states is indicated.

Note 2. The value in parentheses indicates the sampling time.

**Table 2.51 A/D Internal Reference Voltage Characteristics**

Conditions:  $V_{CC} = AVCC0 = AVCC1 = V_{CC\_USB} = V_{BATT} = 2.7$  to  $3.6$  V,  $2.7$  V  $\leq V_{REFH0} \leq AVCC0$ ,  
 $V_{SS} = AVSS0 = AVSS1 = V_{REFL0} = V_{SS\_USB} = 0$  V,  
 $PCLKB = PCLKD = 60$  MHz,  $T_a = T_{opr}$

Item	Min.	Typ.	Max.	Unit	Test Conditions
A/D internal reference voltage	1.13	1.18	1.23	V	

## 2.7 D/A Conversion Characteristics

**Table 2.52 D/A Conversion Characteristics**

Conditions:  $V_{CC} = AVCC0 = AVCC1 = V_{CC\_USB} = V_{BATT} = 2.7$  to  $3.6$  V,  $2.7$  V  $\leq V_{REFH0} \leq AVCC0$ ,  
 $V_{SS} = AVSS0 = AVSS1 = V_{REFL0} = V_{SS\_USB} = 0$  V,  
 $T_a = T_{opr}$

Item	Symbol	Min.	Typ.	Max.	Unit	Test Conditions	
Resolution	—	12	12	12	Bit		
Unbuffered output	Absolute accuracy	—	—	±6.0	LSB	2-M $\Omega$ resistive load 10-bit conversion	
	Differential nonlinearity error	DNL	—	±1.0	±2.0	LSB	2-M $\Omega$ resistive load
	Output resistance	R <sub>O</sub>	—	8.6	—	k $\Omega$	
	Setting time	t <sub>S</sub>	—	—	3	$\mu$ s	20-pF capacitive load
Buffered output	Load resistance	R <sub>L</sub>	5	—	—	k $\Omega$	
	Load capacitance	C <sub>L</sub>	—	—	50	pF	
	Output voltage	V <sub>O</sub>	0.2	—	AVCC1 – 0.2	V	
	Differential nonlinearity error	DNL	—	±1.0	±2.0	LSB	
	Integral nonlinearity error	INL	—	±2.0	±4.0	LSB	
	Setting time	t <sub>S</sub>	—	—	4	$\mu$ s	

## 2.8 Temperature Sensor Characteristics

**Table 2.53 Temperature Sensor Characteristics**

Conditions:  $V_{CC} = AVCC0 = AVCC1 = V_{CC\_USB} = V_{BATT} = 2.7$  to  $3.6$  V,  $2.7$  V  $\leq V_{REFH0} \leq AVCC0$ ,  
 $V_{SS} = AVSS0 = AVSS1 = V_{REFL0} = V_{SS\_USB} = 0$  V,  
 $T_a = T_{opr}$

Item	Min.	Typ.	Max.	Unit	Test Conditions
Relative accuracy	—	±1	—	°C	
Temperature slope	—	4	—	mV/°C	
Output voltage	—	1.21	—	V	T <sub>a</sub> = 25°C
Temperature sensor start time	—	—	30	$\mu$ s	
Sampling time*1	4.15	—	—	$\mu$ s	

Note 1. Set the S12AD1.ADSSTRT register such that the sampling time of the 12-bit A/D converter satisfies this specification.

## 2.9 Power-on Reset Circuit and Voltage Detection Circuit Characteristics

**Table 2.54 Power-on Reset Circuit and Voltage Detection Circuit Characteristics**

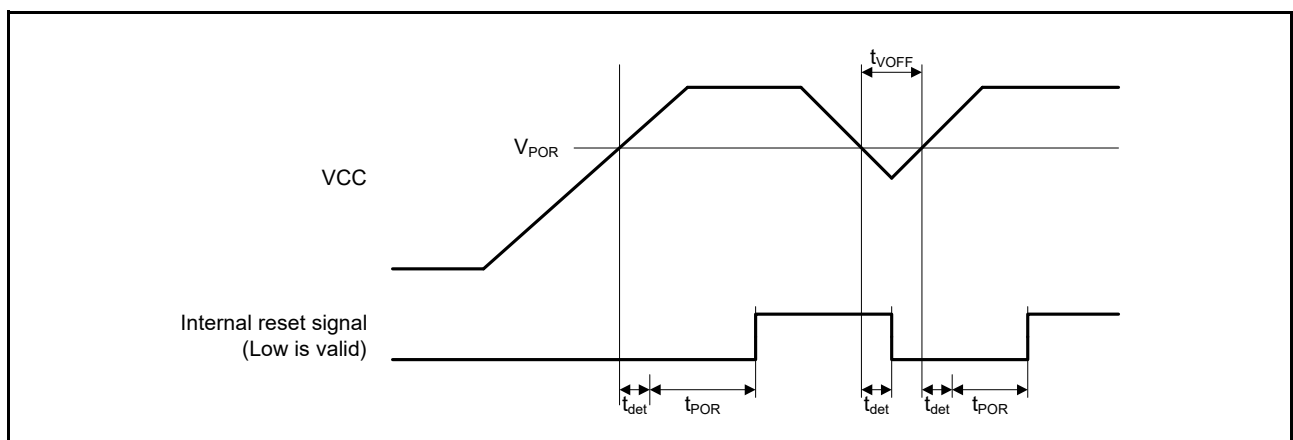
Conditions: VCC = AVCC0 = AVCC1 = VCC\_USB = V<sub>BATT</sub> = 2.7 to 3.6 V, 2.7 V ≤ VREFH0 ≤ AVCC0,  
 VSS = AVSS0 = AVSS1 = VREFL0 = VSS\_USB = 0 V,  
 T<sub>a</sub> = T<sub>opr</sub>

Item		Symbol	Min.	Typ.	Max.	Unit	Test Conditions	
Voltage detection level	Power-on reset (POR)	Low power consumption function disabled*1	V <sub>POR</sub>	2.5	2.6	2.7	V	Figure 2.90
		Low power consumption function enabled*2		1.8	2.25	2.7		
	Voltage detection circuit (LVD0)	V <sub>det0_1</sub>	2.84	2.94	3.04	Figure 2.91		
		V <sub>det0_2</sub>	2.77	2.87	2.97			
		V <sub>det0_3</sub>	2.70	2.80	2.90			
	Voltage detection circuit (LVD1)	V <sub>det1_1</sub>	2.89	2.99	3.09	Figure 2.92		
		V <sub>det1_2</sub>	2.82	2.92	3.02			
		V <sub>det1_3</sub>	2.75	2.85	2.95			
	Voltage detection circuit (LVD2)	V <sub>det2_1</sub>	2.89	2.99	3.09	Figure 2.93		
		V <sub>det2_2</sub>	2.82	2.92	3.02			
		V <sub>det2_3</sub>	2.75	2.85	2.95			
	Internal reset time	Power-on reset time	t <sub>POR</sub>	—	4.6	—	ms	Figure 2.90
LVD0 reset time		t <sub>LVD0</sub>	—	0.70	—	Figure 2.91		
LVD1 reset time		t <sub>LVD1</sub>	—	0.57	—	Figure 2.92		
LVD2 reset time		t <sub>LVD2</sub>	—	0.57	—	Figure 2.93		
Minimum VCC down time		t <sub>VOFF</sub>	200	—	—	μs	Figure 2.90, Figure 2.91	
Response delay time		t <sub>det</sub>	—	—	200		Figure 2.90 to Figure 2.93	
LVD operation stabilization time (after LVD is enabled)		t <sub>d(E-A)</sub>	—	—	10	μs	Figure 2.92, Figure 2.93	
Hysteresis width (LVD1 and LVD2)		V <sub>LVH</sub>	—	70	—		mV	

Note: The minimum VCC down time indicates the time when VCC is below the minimum value of voltage detection levels V<sub>POR</sub>, V<sub>det1</sub>, and V<sub>det2</sub> for the POR/ LVD.

Note 1. The low power consumption function is disabled and DEEPCUT[1:0] = 00b or 01b.

Note 2. The low power consumption function is enabled and DEEPCUT[1:0] = 11b.



**Figure 2.90 Power-on Reset Timing**

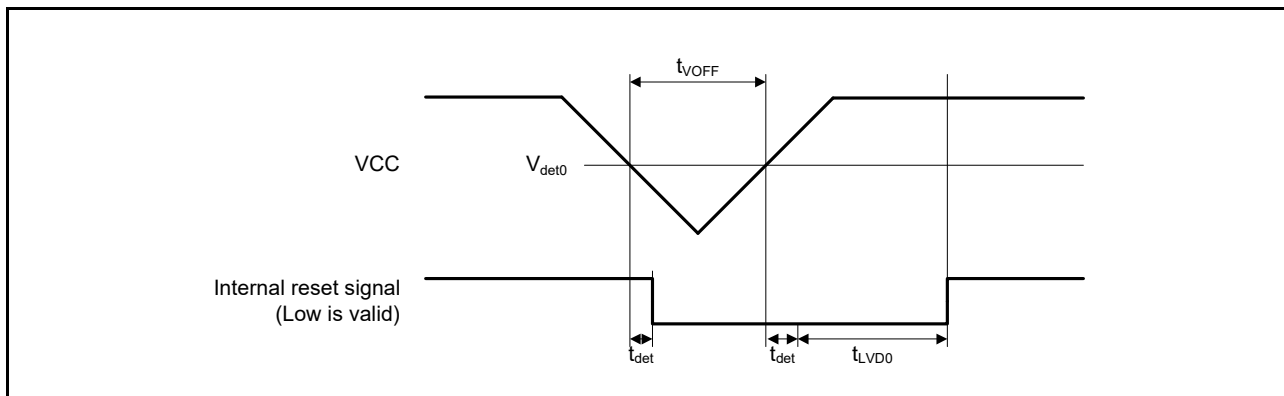


Figure 2.91 Voltage Detection Circuit Timing ( $V_{det0}$ )

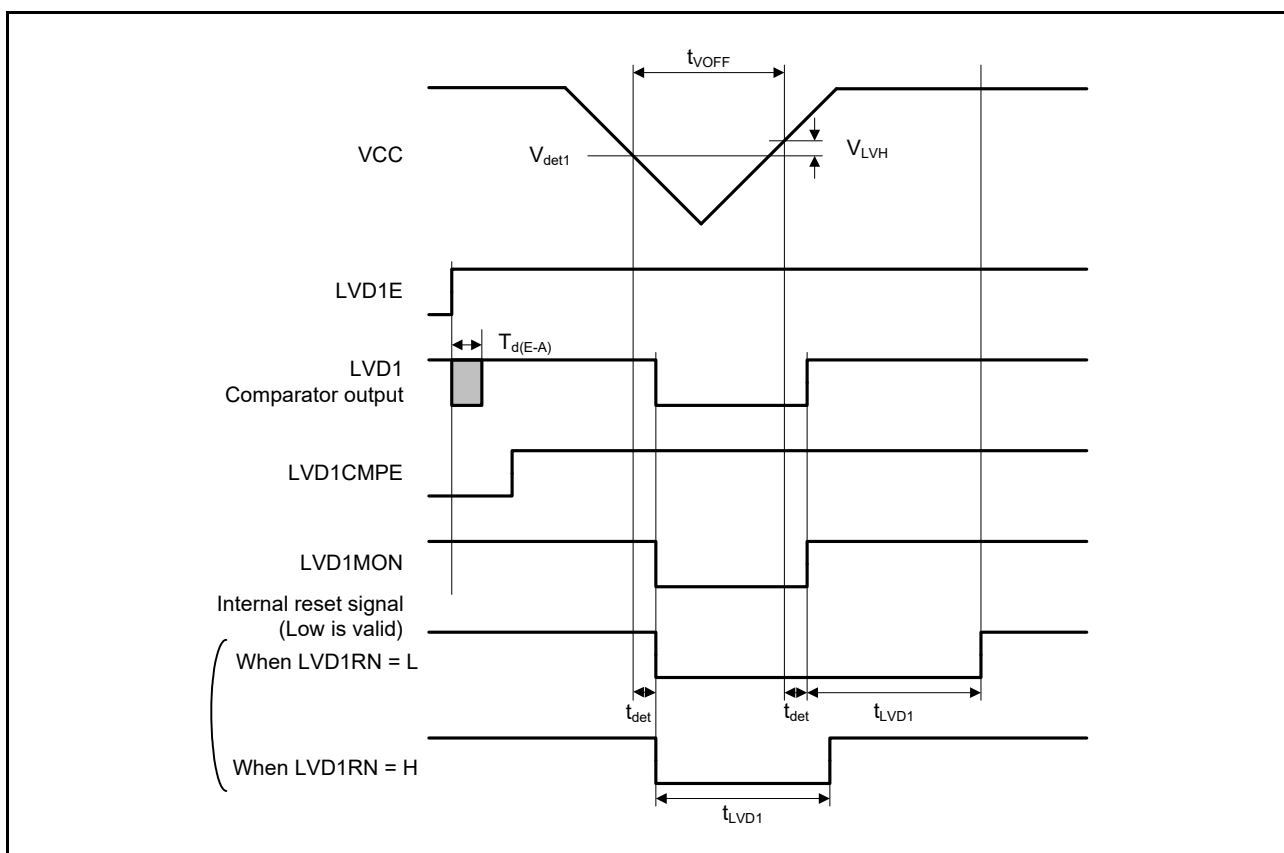


Figure 2.92 Voltage Detection Circuit Timing ( $V_{det1}$ )

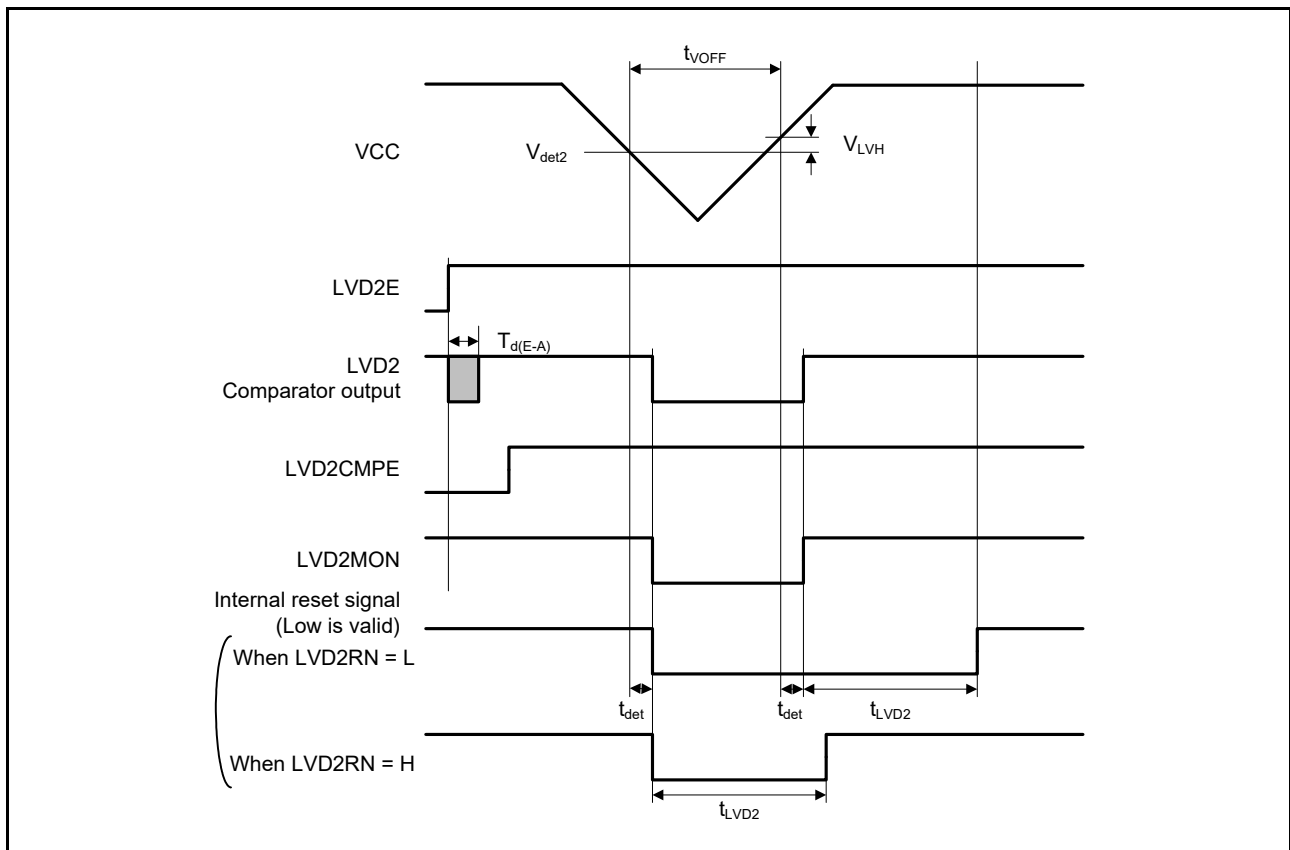


Figure 2.93 Voltage Detection Circuit Timing (V<sub>det2</sub>)

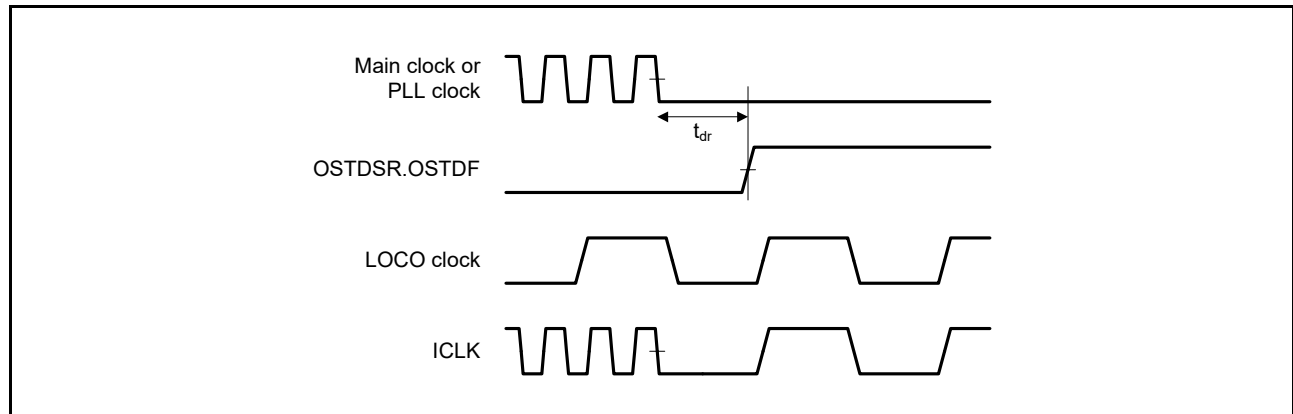


### 2.10 Oscillation Stop Detection Timing

**Table 2.55 Oscillation Stop Detection Circuit Characteristics**

Conditions:  $VCC = AVCC0 = AVCC1 = VCC\_USB = V_{BATT} = 2.7$  to  $3.6$  V,  $2.7$  V  $\leq$   $VREFH0 \leq AVCC0$ ,  
 $VSS = AVSS0 = AVSS1 = VREFL0 = VSS\_USB = 0$  V,  
 $T_a = T_{opr}$

Item	Symbol	Min.	Typ.	Max.	Unit	Test Conditions
Detection time	$t_{dr}$	—	—	1	ms	Figure 2.94



**Figure 2.94 Oscillation Stop Detection Timing**

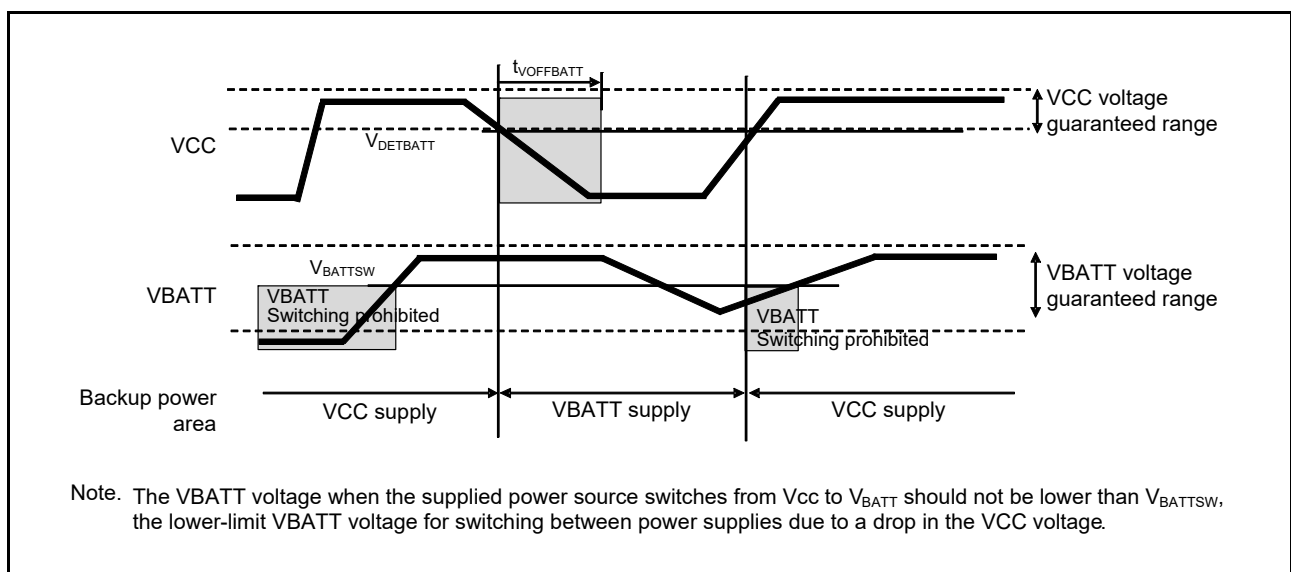
### 2.11 Battery Backup Function Characteristics

**Table 2.56 Battery Backup Function Characteristics**

Conditions:  $V_{CC} = AV_{CC0} = AV_{CC1} = V_{CC\_USB} = 2.7$  to  $3.6$  V,  $2.7$  V  $\leq V_{REFH0} \leq AV_{CC0}$ ,  
 $V_{SS} = AV_{SS0} = AV_{SS1} = V_{REFL0} = V_{SS\_USB} = 0$  V,  
 $V_{BATT} = 1.62$  to  $3.6$  V,  $T_a = T_{opr}$

Item	Symbol	Min.	Typ.	Max.	Unit	Test Conditions
Voltage level for switching to battery backup	$V_{DETBATT}$	2.50	2.60	2.70	V	Figure 2.95
Lower-limit $V_{BATT}$ voltage for power supply switching due to VCC voltage drop	$V_{BATTSW}$	2.70	—	—		
VCC-off period for starting power supply switching	$t_{VOFFBATT}$	200	—	—	$\mu$ s	

Note: The VCC-off period for starting power supply switching indicates the period in which VCC is below the minimum value of the voltage level for switching to battery backup ( $V_{DETBATT}$ ).



**Figure 2.95 Battery Backup Function Characteristics**

## 2.12 Flash Memory Characteristics

**Table 2.57 Code Flash Memory Characteristics**

Conditions:  $V_{CC} = AV_{CC0} = AV_{CC1} = V_{CC\_USB} = V_{BATT} = 2.7$  to  $3.6$  V,  $2.7$  V  $\leq V_{REFH0} \leq AV_{CC0}$ ,  
 $V_{SS} = AV_{SS0} = AV_{SS1} = V_{REFL0} = V_{SS\_USB} = 0$  V,  
 Temperature range for programming/erasure:  $T_a = T_{opr}$

Item	Symbol	FCLK = 4 MHz			FCLK = 15 MHz			20 MHz $\leq$ FCLK $\leq$ 60 MHz			Unit	Test Conditions	
		Min.	Typ.	Max.	Min.	Typ.	Max.	Min.	Typ.	Max.			
Programming time $N_{PEC} \leq 100$ times	128 bytes	$t_{P128}$	—	0.75	13.2	—	0.38	6.6	—	0.34	6	ms	
	8 Kbytes	$t_{P8K}$	—	49	176	—	25	88	—	22	80	ms	
	32 Kbytes	$t_{P32K}$	—	194	704	—	97	352	—	88	320	ms	
Programming time $N_{PEC} > 100$ times	128 bytes	$t_{P128}$	—	0.91	15.8	—	0.46	8	—	0.41	7.2	ms	
	8 Kbytes	$t_{P8K}$	—	60	212	—	30	106	—	27	96	ms	
	32 Kbytes	$t_{P32K}$	—	234	848	—	117	424	—	106	384	ms	
Erasure time $N_{PEC} \leq 100$ times	8 Kbytes	$t_{E8K}$	—	78	216	—	48	132	—	43	120	ms	
	32 Kbytes	$t_{E32K}$	—	283	864	—	173	528	—	157	480	ms	
Erasure time $N_{PEC} > 100$ times	8 Kbytes	$t_{E8K}$	—	94	260	—	58	158	—	52	144	ms	
	32 Kbytes	$t_{E32K}$	—	341	1040	—	208	632	—	189	576	ms	
Programming/erasure cycle*1	$N_{PEC}$	10000 *2	—	—	10000 *2	—	—	10000 *2	—	—	—	Times	
Suspend delay time during programming	$t_{SPD}$	—	—	264	—	—	132	—	—	120	$\mu$ s		
First suspend delay time during erasing (in suspend priority mode)	$t_{SESD1}$	—	—	216	—	—	132	—	—	120	$\mu$ s		
Second suspend delay time during erasure (in suspend priority mode)	$t_{SESD2}$	—	—	1.7	—	—	1.7	—	—	1.7	ms		
Suspend delay time during erasure (in erasure priority mode)	$t_{SEED}$	—	—	1.7	—	—	1.7	—	—	1.7	ms		
Forced stop command	$t_{FD}$	—	—	32	—	—	22	—	—	20	$\mu$ s		
Data hold time*3, *4	$t_{DRP}$	20	—	—	20	—	—	20	—	—	Year	$T_a \leq 85^\circ\text{C}$	
		10	—	—	10	—	—	10	—	—		$T_a \leq 105^\circ\text{C}$	

Note 1. Definition of program/erase cycle:

The program/erase cycle is the number of erasing for each block. When the number of program/erase cycles is  $n$ , each block can be erased  $n$  times. For instance, when 128-byte program is performed 64 times for different addresses in 8-Kbyte block and then the block is erased, the program/erase cycle is counted as one. However, the same address cannot be programmed more than once before the next erase cycle (overwriting is prohibited).

Note 2. Characteristics are degraded as the number of program/erase increases. This is the minimum value of program/erase cycles to guarantee all characteristics listed in this table.

Note 3. This shows the characteristic when the flash memory writer or self-programming library from Renesas Electronics is in use, and the number of times programming and erasure proceed does not exceed the specified value.

Note 4. These values are based on the results of reliability testing.

**Table 2.58 Data Flash Memory Characteristics**

Conditions:  $V_{CC} = AVCC0 = AVCC1 = V_{CC\_USB} = V_{BATT} = 2.7$  to  $3.6$  V,  $2.7$  V  $\leq V_{REFH0} \leq AVCC0$ ,  
 $V_{SS} = AVSS0 = AVSS1 = V_{REFL0} = V_{SS\_USB} = 0$  V,  
 Temperature range for programming/erasure:  $T_a = T_{opr}$

Item	Symbol	FCLK = 4 MHz			FCLK = 15 MHz			20 MHz $\leq$ FCLK $\leq$ 60 MHz			Unit	Test Conditions	
		Min.	Typ.	Max.	Min.	Typ.	Max.	Min.	Typ.	Max.			
Programming time	4 bytes	$t_{DP4}$	—	0.36	3.8	—	0.18	1.9	—	0.16	1.7	ms	
Erasure time	64 bytes	$t_{DP64}$	—	3.1	18	—	1.9	11	—	1.7	10	ms	
	128 bytes	$t_{DP128}$	—	4.7	27	—	2.9	16	—	2.6	15	ms	
	256 bytes	$t_{DP256}$	—	8.9	50	—	5.4	31	—	4.9	28	ms	
Blank check time	4 bytes	$t_{DBC4}$	—	—	84	—	—	33	—	—	30	$\mu$ s	
	64 bytes	$t_{DBC64}$	—	—	280	—	—	110	—	—	100	$\mu$ s	
	2 Kbytes	$t_{DBC2K}$	—	—	6160	—	—	2420	—	—	2200	$\mu$ s	
Programming/erasure cycle*1		$N_{DPEC}$	100000 *2	—	—	100000 *2	—	—	100000 *2	—	—	Times	
Suspend delay time during programming		$t_{DSPD}$	—	—	264	—	—	132	—	—	120	$\mu$ s	
First suspend delay time during erasure (in suspend priority mode)	64 bytes	—	—	—	216	—	—	132	—	—	120	$\mu$ s	
	128 bytes	—	—	—	216	—	—	132	—	—	120	$\mu$ s	
	256 bytes	—	—	—	216	—	—	132	—	—	120	$\mu$ s	
Second suspend delay time during erasure (in suspend priority mode)	64 bytes	—	—	—	300	—	—	300	—	—	300	$\mu$ s	
	128 bytes	—	—	—	390	—	—	390	—	—	390	$\mu$ s	
	256 bytes	—	—	—	570	—	—	570	—	—	570	$\mu$ s	
Suspend delay time during erasing (in suspend priority mode)	64 bytes	—	—	—	300	—	—	300	—	—	300	$\mu$ s	
	128 bytes	—	—	—	390	—	—	390	—	—	390	$\mu$ s	
	256 bytes	—	—	—	570	—	—	570	—	—	570	$\mu$ s	
Forced stop command		$t_{FD}$	—	—	32	—	—	22	—	—	20	$\mu$ s	
Data hold time*3, *4		$t_{DDRP}$	20	—	—	20	—	—	20	—	—	Year	$T_a \leq 85^\circ\text{C}$
			10	—	—	10	—	—	10	—	—		$T_a \leq 105^\circ\text{C}$

Note 1. Definition of program/erase cycle:

The program/erase cycle is the number of erasing for each block. When the number of program/erase cycles is n, each block can be erased n times. For instance, when 4-byte program is performed 512 times for different addresses in 2-Kbyte block and then the block is erased, the program/erase cycle is counted as one. However, the same address cannot be programmed more than once before the next erase cycle (overwriting is prohibited).

Note 2. Characteristics are degraded as the number of program/erase increases. This is the minimum value of program/erase cycles to guarantee all characteristics listed in this table.

Note 3. This shows the characteristic when the flash memory writer or self-programming library from Renesas Electronics is in use, and the number of times programming and erasure proceed does not exceed the specified value.

Note 4. These values are based on the results of reliability testing.

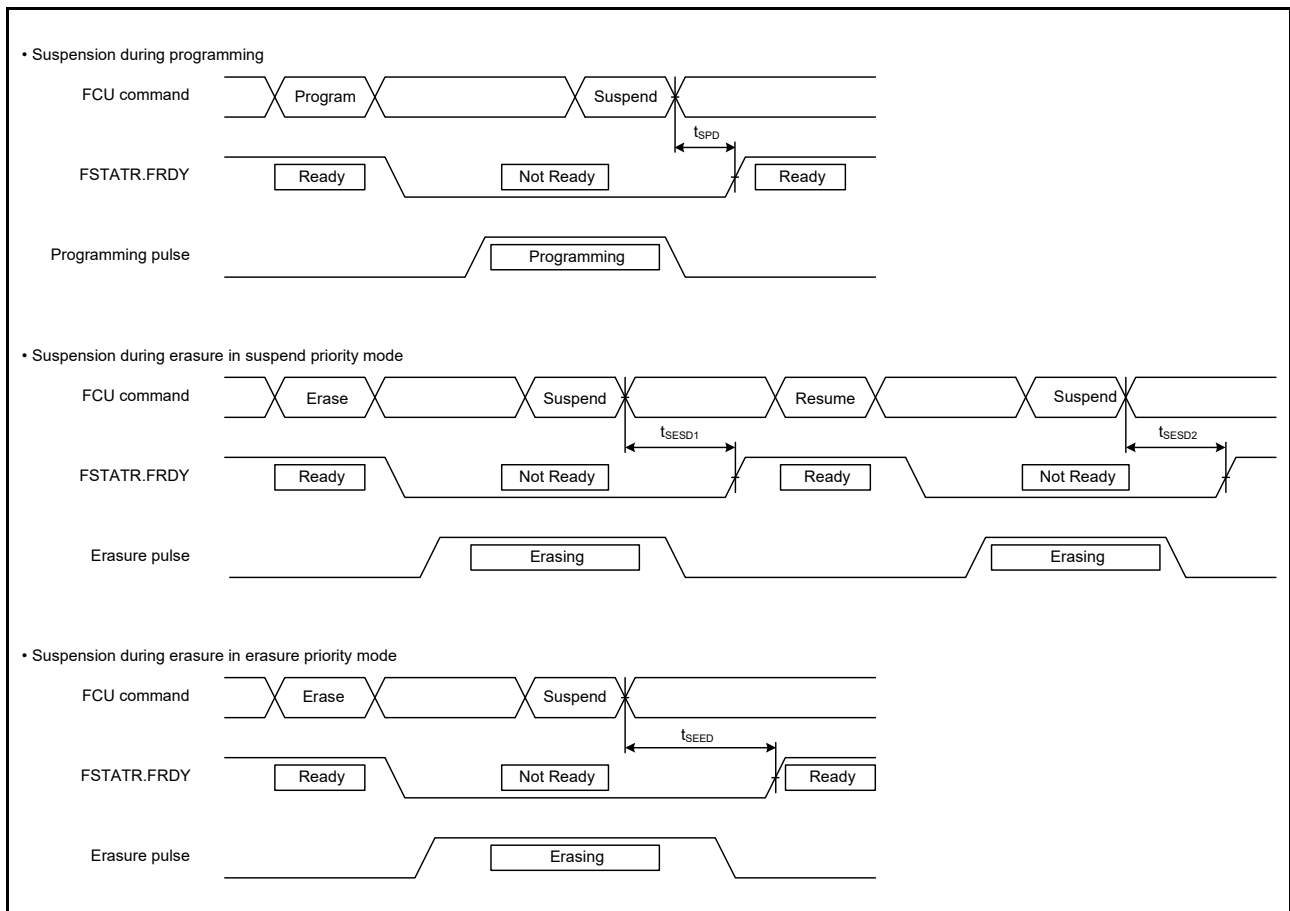


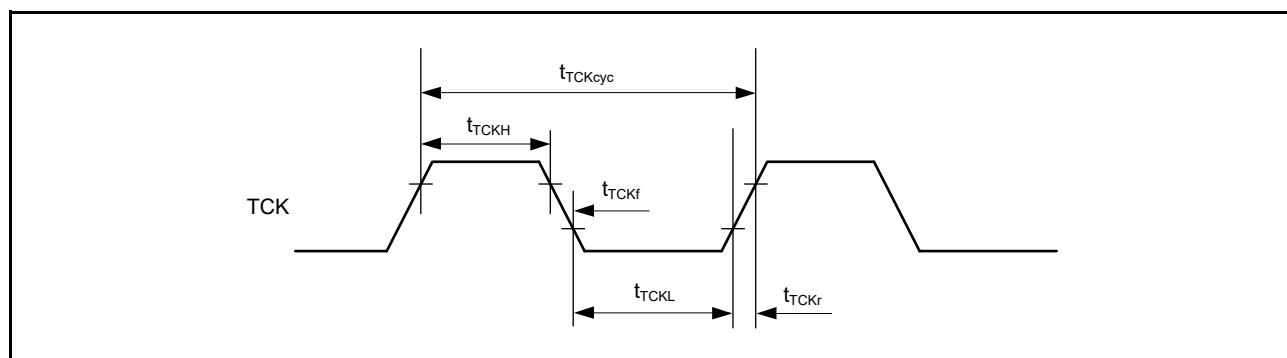
Figure 2.96 Flash Memory Programming/Erasure Suspension Timing

### 2.13 Boundary Scan

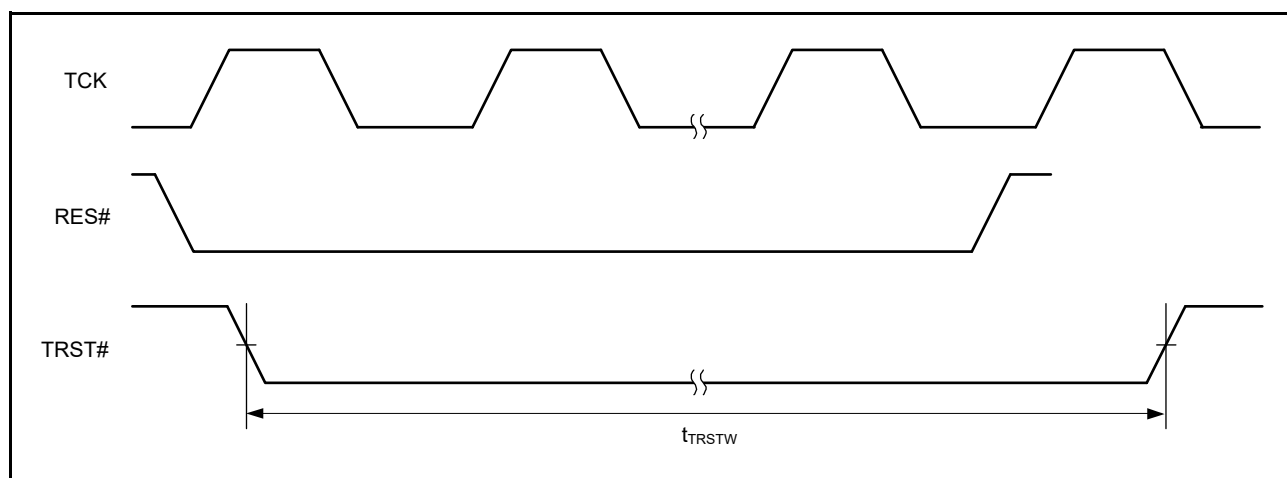
**Table 2.59 Boundary Scan Characteristics**

Conditions:  $V_{CC} = AVCC0 = AVCC1 = VCC\_USB = V_{BATT} = 2.7$  to  $3.6$  V,  $2.7$  V  $\leq$   $V_{REFH0} \leq AVCC0$ ,  
 $V_{SS} = AVSS0 = AVSS1 = V_{REFL0} = VSS\_USB = 0$  V,  
 $T_a = T_{opr}$ ,  
 Output load conditions:  $V_{OH} = 0.5 \times V_{CC}$ ,  $V_{OL} = 0.5 \times V_{CC}$ ,  $C = 30$  pF,  
 High-drive output is selected by the driving ability control register.

Item	Symbol	Min.	Typ.	Max.	Unit	Test Conditions
TCK clock cycle time	$t_{TCKcyc}$	100	—	—	ns	Figure 2.97
TCK clock high pulse width	$t_{TCKH}$	45	—	—	ns	
TCK clock low pulse width	$t_{TCKL}$	45	—	—	ns	
TCK clock rise time	$t_{TCKr}$	—	—	5	ns	
TCK clock fall time	$t_{TCKf}$	—	—	5	ns	
TRST# pulse width	$t_{TRSTW}$	20	—	—	$t_{TCKcyc}$	Figure 2.98
TMS setup time	$t_{TMSS}$	20	—	—	ns	Figure 2.99
TMS hold time	$t_{TMSH}$	20	—	—	ns	
TDI setup time	$t_{TDIS}$	20	—	—	ns	
TDI hold time	$t_{TDIH}$	20	—	—	ns	
TDO data delay time	$t_{TDOD}$	—	—	40	ns	



**Figure 2.97 Boundary Scan TCK Timing**



**Figure 2.98 Boundary Scan TRST# Timing**

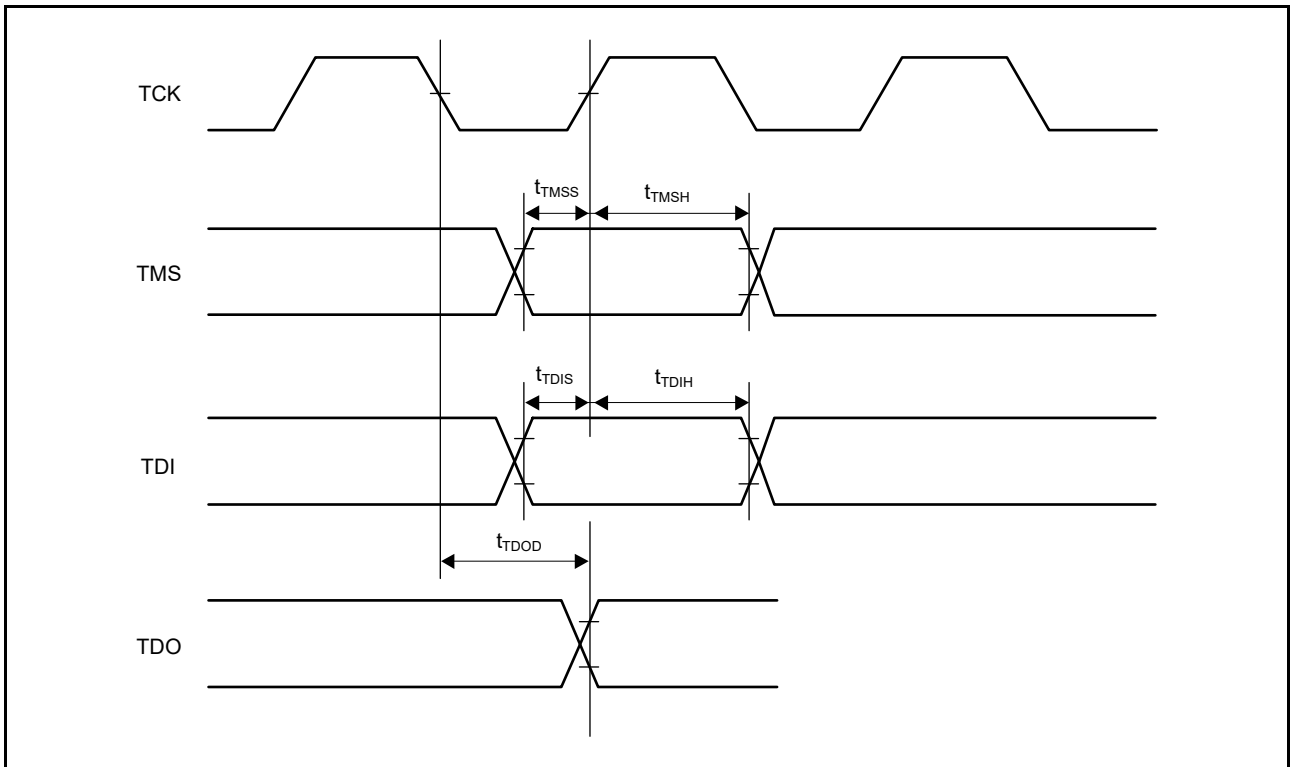


Figure 2.99 Boundary Scan Input/Output Timing

## Appendix 1. Package Dimensions

Information on the latest version of the package dimensions or mountings has been displayed in “Packages” on Renesas Electronics Corporation website.

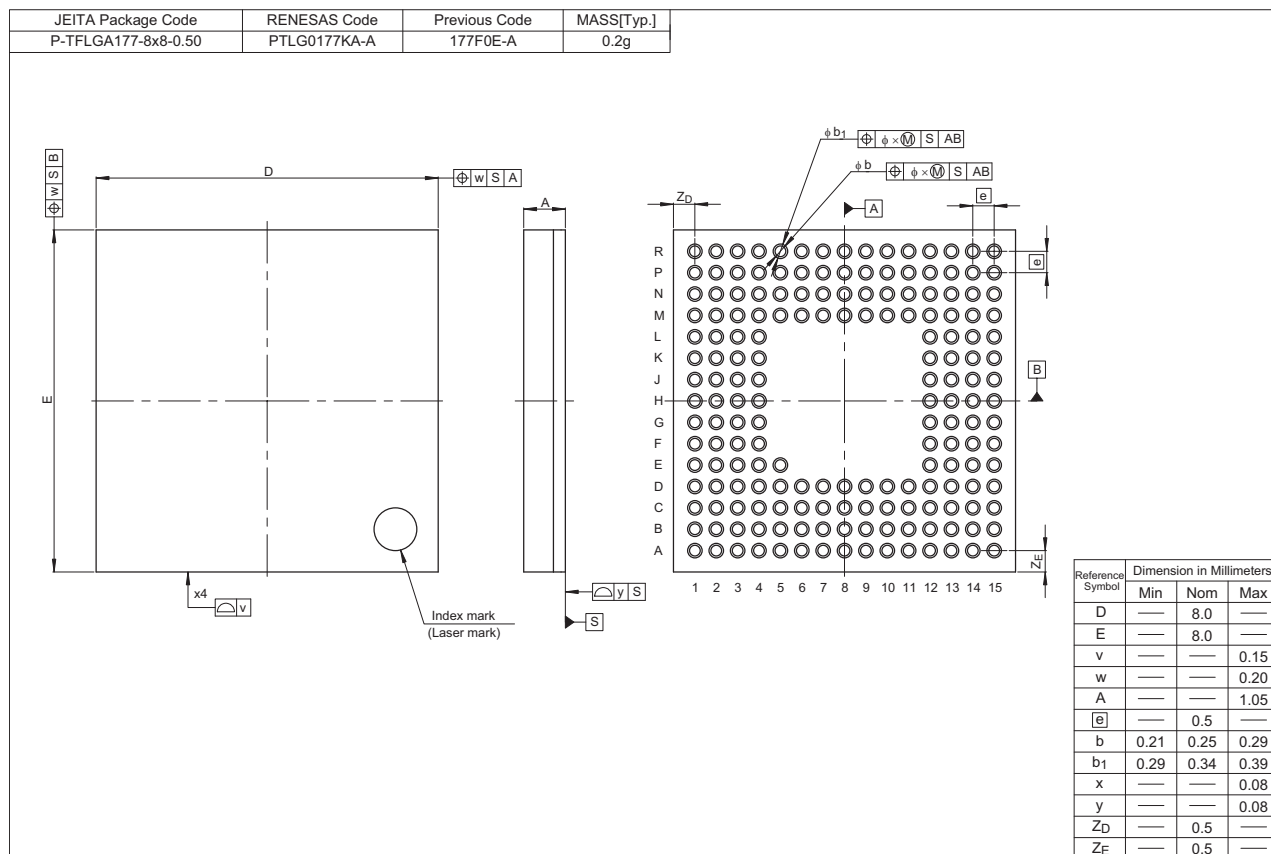


Figure A 177-Pin TFLGA (PTLG0177KA-A)



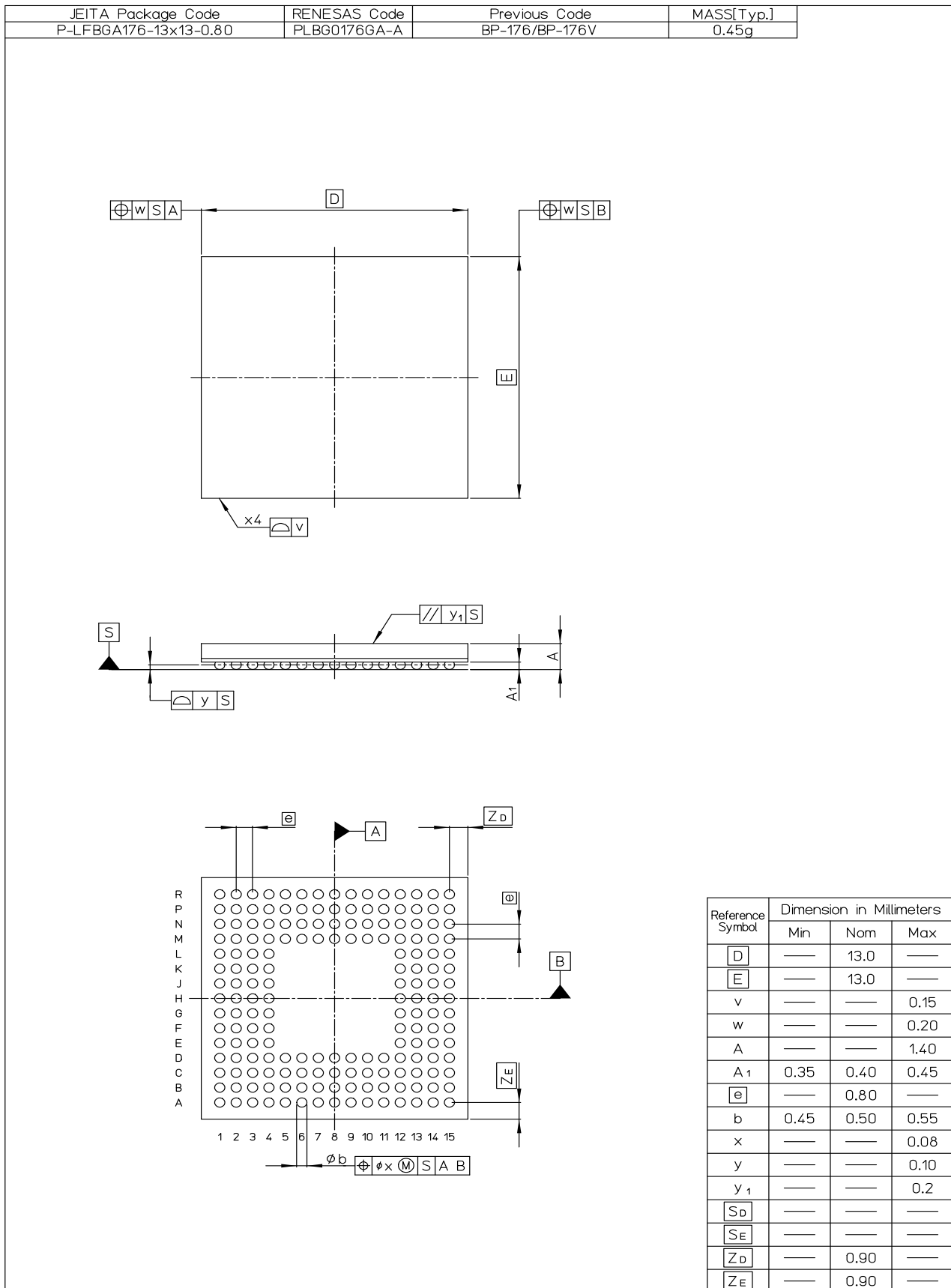


Figure B 176-Pin LFBGA (PLBG0176GA-A)

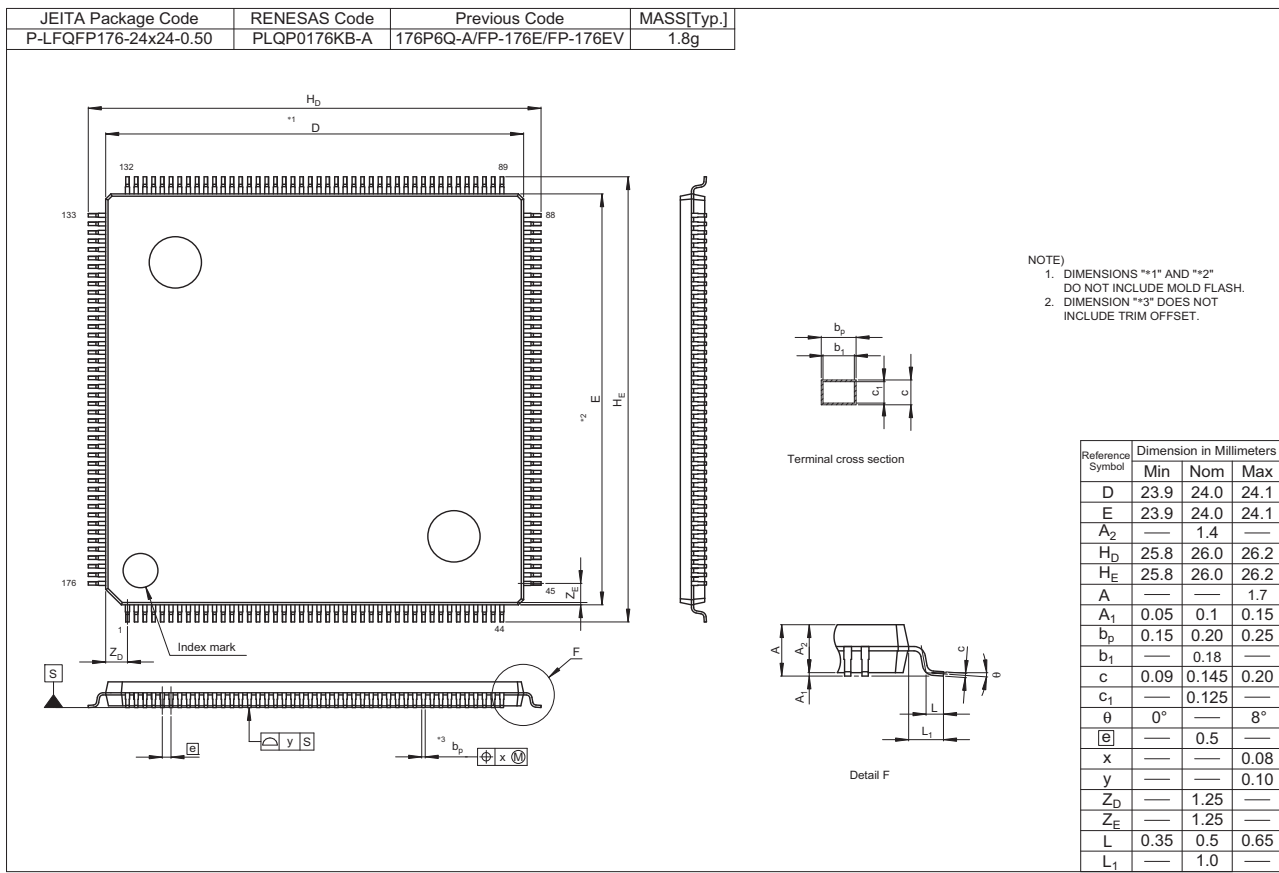


Figure C 176-Pin LFQFP (PLQP0176KB-A)

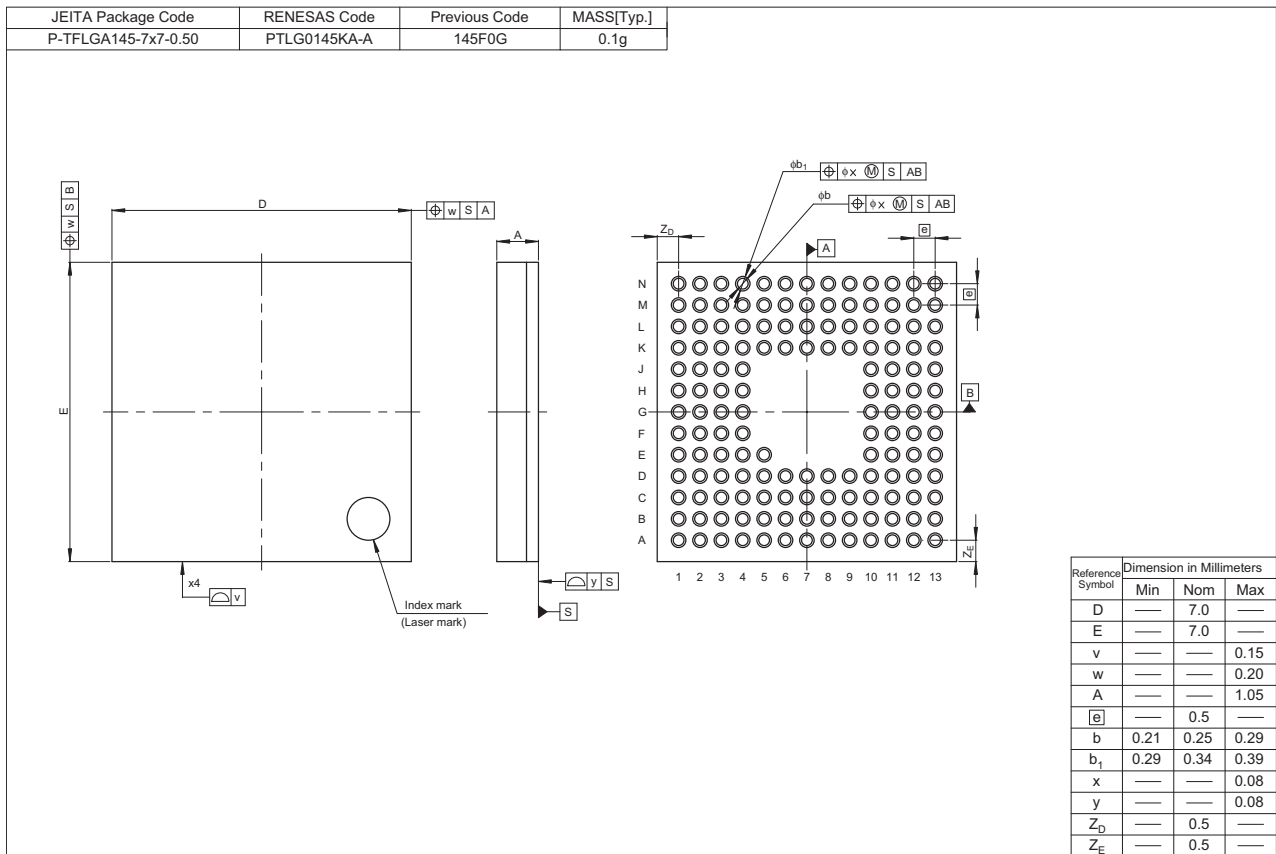
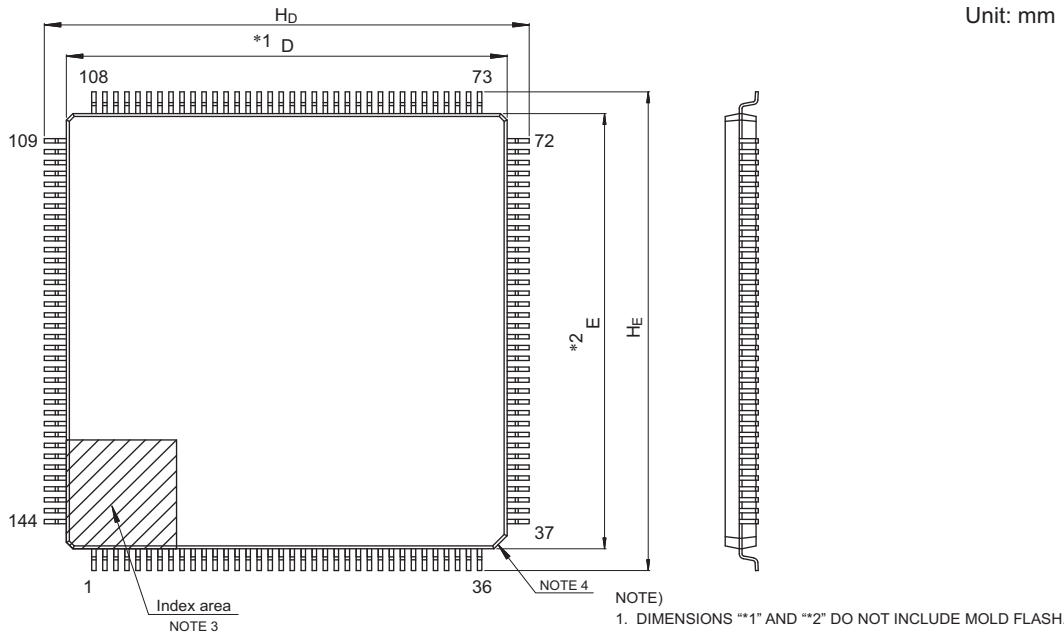


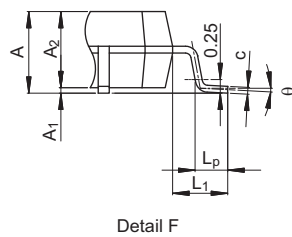
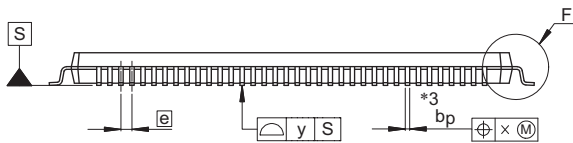
Figure D 145-Pin TFLGA (PTLG0145KA-A)

JEITA Package Code	RENESAS Code	Previous Code	MASS (Typ) [g]
P-LFQFP144-20x20-0.50	PLQP0144KA-B	—	1.2



Unit: mm

- NOTE)
1. DIMENSIONS “\*1” AND “\*2” DO NOT INCLUDE MOLD FLASH.
  2. DIMENSION “\*3” DOES NOT INCLUDE TRIM OFFSET.
  3. PIN 1 VISUAL INDEX FEATURE MAY VARY, BUT MUST BE LOCATED WITHIN THE HATCHED AREA.
  4. CHAMFERS AT CORNERS ARE OPTIONAL, SIZE MAY VARY.



Reference Symbol	Dimensions in millimeters		
	Min	Nom	Max
D	19.9	20.0	20.1
E	19.9	20.0	20.1
A <sub>2</sub>	—	1.4	—
H <sub>D</sub>	21.8	22.0	22.2
H <sub>E</sub>	21.8	22.0	22.2
A	—	—	1.7
A <sub>1</sub>	0.05	—	0.15
b <sub>p</sub>	0.17	0.20	0.27
c	0.09	—	0.20
θ	0°	3.5°	8°
e	—	0.5	—
x	—	—	0.08
y	—	—	0.10
L <sub>p</sub>	0.45	0.6	0.75
L <sub>1</sub>	—	1.0	—

Figure E 144-Pin LFQFP (PLQP0144KA-B)

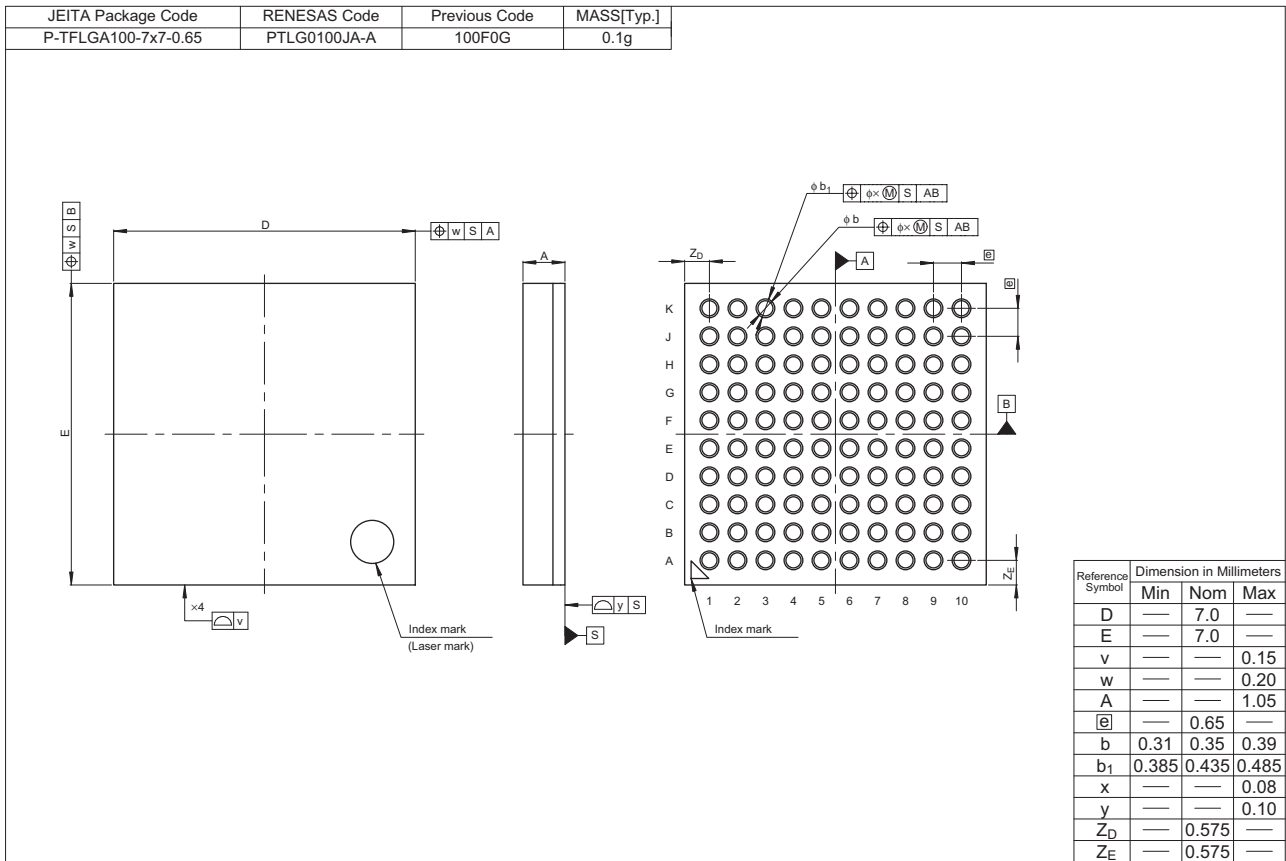
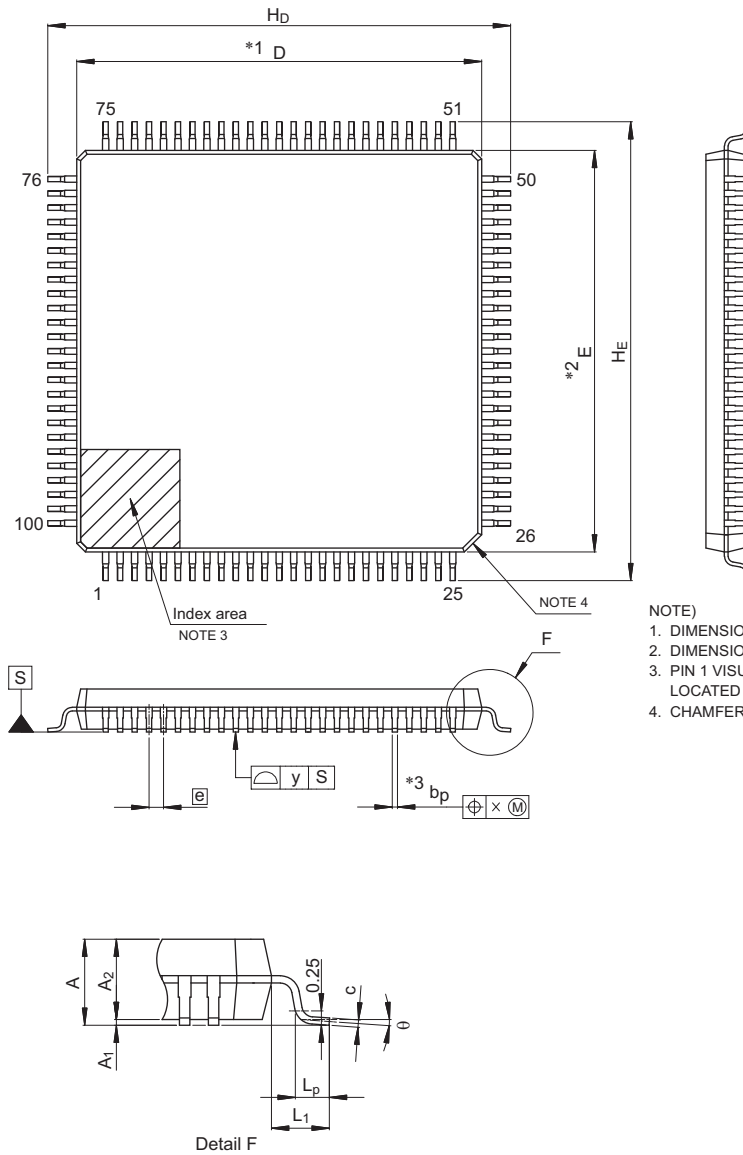


Figure F 100-Pin TFLGA (PTLG0100JA-A)

JEITA Package Code	RENESAS Code	Previous Code	MASS (Typ) [g]
P-LFQFP100-14x14-0.50	PLQP0100KB-B	—	0.6

Unit: mm

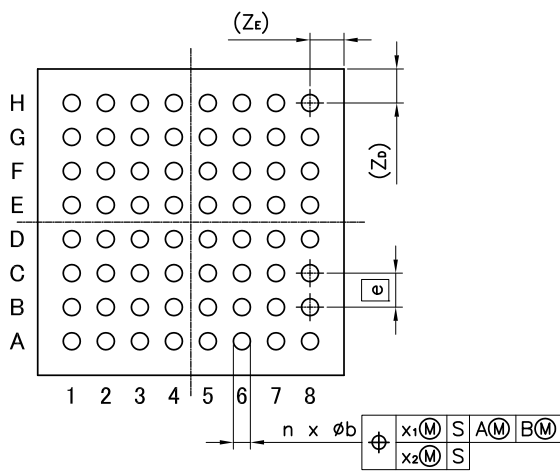
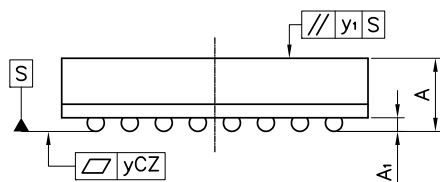
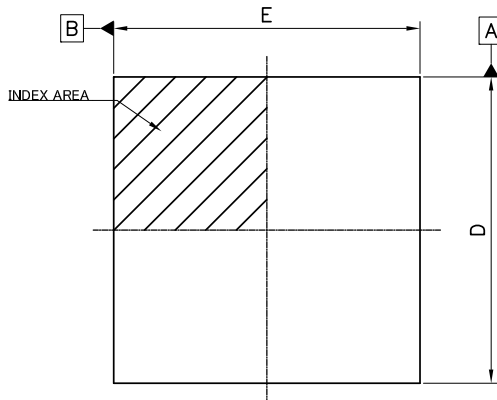


- NOTE)
1. DIMENSIONS “\*1” AND “\*2” DO NOT INCLUDE MOLD FLASH.
  2. DIMENSION “\*3” DOES NOT INCLUDE TRIM OFFSET.
  3. PIN 1 VISUAL INDEX FEATURE MAY VARY, BUT MUST BE LOCATED WITHIN THE HATCHED AREA.
  4. CHAMFERS AT CORNERS ARE OPTIONAL, SIZE MAY VARY.

Reference Symbol	Dimensions in millimeters		
	Min	Nom	Max
D	13.9	14.0	14.1
E	13.9	14.0	14.1
A <sub>2</sub>	—	1.4	—
H <sub>D</sub>	15.8	16.0	16.2
H <sub>E</sub>	15.8	16.0	16.2
A	—	—	1.7
A <sub>1</sub>	0.05	—	0.15
b <sub>p</sub>	0.15	0.20	0.27
c	0.09	—	0.20
θ	0°	3.5°	8°
e	—	0.5	—
x	—	—	0.08
y	—	—	0.08
L <sub>p</sub>	0.45	0.6	0.75
L <sub>1</sub>	—	1.0	—

Figure G 100-Pin LFQFP (PLQP0100KB-B)

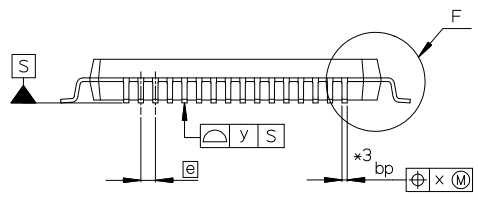
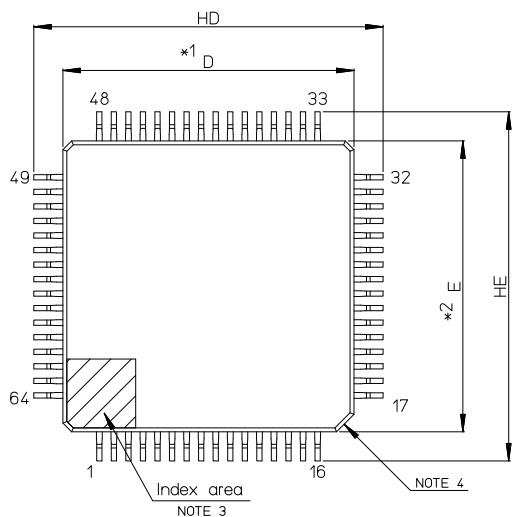
JEITA Package Code	RENESAS Code	MASS (Typ.) [g]
P-TFBGA64-4.5 × 4.5-0.50	PTBG0064KB-A	0.04



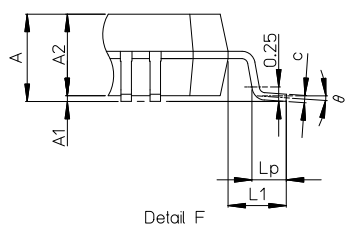
Reference Symbol	Dimension in Millimeters		
	Min.	Nom.	Max.
D	4.42	4.50	4.58
E	4.42	4.50	4.58
A	—	—	1.20
A <sub>1</sub>	0.15	0.20	0.25
e	—	0.50	—
b	0.20	0.25	0.30
x <sub>1</sub>	—	—	0.15
x <sub>2</sub>	—	—	0.05
y	—	—	0.08
y <sub>1</sub>	—	—	0.20
n	—	64	—
Z <sub>D</sub>	—	0.50	—
Z <sub>E</sub>	—	0.50	—

Figure H 64-Pin TFBGA (PTBG0064KB-A)

JEITA Package Code	RENESAS Code	Previous Code	MASS[Typ.]
P-LFQFP64-10x10-0.50	PLQP0064KB-C	—	0.3g



- NOTE)
1. DIMENSIONS \*1\* AND \*2\* DO NOT INCLUDE MOLD FLASH.
  2. DIMENSION \*3\* DOES NOT INCLUDE TRIM OFFSET.
  3. PIN 1 VISUAL INDEX FEATURE MAY VARY, BUT MUST BE LOCATED WITHIN THE HATCHED AREA.
  4. CHAMFERS AT CORNERS ARE OPTIONAL; SIZE MAY VARY.



Reference Symbol	Dimension in Millimeters		
	Min	Nom	Max
D	9.9	10.0	10.1
E	9.9	10.0	10.1
A2	—	1.4	—
HD	11.8	12.0	12.2
HE	11.8	12.0	12.2
A	—	—	1.7
A1	0.05	—	0.15
bp	0.15	0.20	0.27
c	0.09	—	0.20
θ	0°	3.5°	8°
e	—	0.5	—
x	—	—	0.08
y	—	—	0.08
Lp	0.45	0.6	0.75
L1	—	1.0	—

Figure I 64-Pin LFQFP (PLQP0064KB-C)



REVISION HISTORY	RX65N Group, RX651 Group Datasheet
------------------	------------------------------------

## Classifications

- Items with Technical Update document number: Changes according to the corresponding issued Technical Update
- Items without Technical Update document number: Minor changes that do not require Technical Update to be issued

Rev.	Date	Description		Classification
		Page	Summary	
1.00	Aug 24, 2016	—	First edition, issued	
2.10	Oct 02, 2017	—	Products with at least 1.5 Mbytes of code flash memory added The conventional products indicated as “products with 1 Mbyte of code flash memory or less”	
		1. Overview		
		6, 9	Table 1.1 Outline of Specifications (5/9), Note added	TN-RX*-A164B/E
		8	Table 1.1 Outline of Specifications (8/9) Description of the 12-bit D/A converter (R12DA) changed	TN-RX*-A165A/E
		4. I/O Registers		
		131	Table 4.1 List of I/O Registers (Address Order) (46 / 61), changed	TN-RX*-A176A/E
		5. Electrical Characteristics		
		147	Table 5.1 Absolute Maximum Rating, changed	
		150	Table 5.5 DC Characteristics (3) (Products with 1 Mbyte of code flash memory or less), changed	TN-RX*-A164B/E
		152	Table 5.7 DC Characteristics (4), changed	TN-RX*-A164B/E TN-RX*-A176A/E
		153	Table 5.9 Heat Resistance Value (Reference), added	
		162	Table 5.21 Timing of Recovery from Low Power Consumption Modes (1), changed	TN-RX*-A176A/E
		189	Table 5.35 RSPI Timing, changed	
		212	Table 5.49 D/A Conversion Characteristics, changed	TN-RX*-A165A/E
		218	Table 5.54 Code Flash Memory Characteristics, changed	
219	Table 5.55 Data Flash Memory Characteristics, changed			
2.30	Jun 20, 2019	—	64-pin Package Products added Terms unified: pull-up MOS → pull-up resistors pull-down MOS → pull-down resistors	
		1. Overview		
		14 to 22	Table 1.3 List of Products, changed	TN-RX*-A204A/E
		30	Table 1.4 Pin Functions (6/8), changed	TN-RX*-A0211A/E
		47 to 49	Table 1.5 List of Pin and Pin Functions (177-Pin TFLGA, 176-Pin LFBGA), changed	TN-RX*-A182A/E
		52	Table 1.6 List of Pin and Pin Functions (176-Pin LQFP), changed	
		4. I/O Registers		
		136 to 138	Table 4.1 List of I/O Registers (Address Order), changed	TN-RX*-A0211A/E
		5. Electrical Characteristics		
		157	Table 5.5 DC Characteristics (3) (Products with 1 Mbyte of code flash memory or less), changed	TN-RX*-A0211A/E
		158, 159	Table 5.6 DC Characteristics (3) (Products for products with at least 1.5 Mbytes of code flash memory), changed	
		159	Table 5.7 DC Characteristics (4), changed	
		161	Table 5.9 Thermal Resistance Value (Reference), changed	TN-RX*-A182A/E
		164	Table 5.13 Reset Timing, Unit changed	TN-RX*-A202A/E
		206	Figure 5.54 IIC Bus Interface Input/Output Timing and Simple IIC Bus Interface Input/Output Timing, changed	
216	Table 5.44 SDHI Timing, added Figure 5.72 SD Host Interface Input/Output Signal Timing, added	TN-RX*-A196A/E		
217, 218	Table 5.45 SDSDI Timing, added Figure 5.73 SD Slave Interface Input Signal Timing to Figure 5.75 SD Slave Interface Output Signal Timing (High Speed Mode), added			
221	Table 5.48 12-Bit A/D (Unit 0) Conversion Characteristics, changed	TN-RX*-A182A/E		

Rev.	Date	Description		Classification
		Page	Summary	
2.30	Jun 20, 2019	230	Table 5.57 Data Flash Memory Characteristics, changed (64-bytes and 2-Kbytes blank check time added)	
2.40	Oct 31, 2023	1. Overview		
		11	Table 1.1 Outline of Specifications (10/10), changed	TN-RX*-A0250A/E
		14 to 25	Table 1.3 List of Products, changed	TN-RX*-A0233A/E
		2. Electrical Characteristics		
		90	Table 2.2 Recommended Operating Conditions (1), changed	TN-RX*-A0250A/E
		90	Table 2.3 Recommended Operating Conditions (2), added	TN-RX*-A0272A/E
		91	Table 2.4 DC Characteristics (1) Note 3, changed	TN-RX*-A0250A/E
		92	Table 2.5 DC Characteristics (2), changed	
		93, 94	Table 2.6 DC Characteristics (3) (Products with 1 Mbyte of code flash memory or less), changed	TN-RX*-A0250A/E
		94, 95	Table 2.7 DC Characteristics (3) (Products for products with at least 1.5 Mbytes of code flash memory) Note 3, changed	TN-RX*-A0250A/E
		105	Table 2.21 Sub-Clock Timing, changed	TN-RX*-A0250A/E
		170	Table 2.56 Battery Backup Function Characteristics, changed	TN-RX*-A0250A/E
		171	Table 2.57 Code Flash Memory Characteristics, changed	TN-RX*-A0248A/E
172	Table 2.58 Data Flash Memory Characteristics, changed	TN-RX*-A0248A/E		

## General Precautions in the Handling of Microprocessing Unit and Microcontroller Unit Products

The following usage notes are applicable to all Microprocessing unit and Microcontroller unit products from Renesas. For detailed usage notes on the products covered by this document, refer to the relevant sections of the document as well as any technical updates that have been issued for the products.

### 1. Precaution against Electrostatic Discharge (ESD)

A strong electrical field, when exposed to a CMOS device, can cause destruction of the gate oxide and ultimately degrade the device operation. Steps must be taken to stop the generation of static electricity as much as possible, and quickly dissipate it when it occurs. Environmental control must be adequate. When it is dry, a humidifier should be used. This is recommended to avoid using insulators that can easily build up static electricity. Semiconductor devices must be stored and transported in an anti-static container, static shielding bag or conductive material. All test and measurement tools including work benches and floors must be grounded. The operator must also be grounded using a wrist strap. Semiconductor devices must not be touched with bare hands. Similar precautions must be taken for printed circuit boards with mounted semiconductor devices.

### 2. Processing at power-on

The state of the product is undefined at the time when power is supplied. The states of internal circuits in the LSI are indeterminate and the states of register settings and pins are undefined at the time when power is supplied. In a finished product where the reset signal is applied to the external reset pin, the states of pins are not guaranteed from the time when power is supplied until the reset process is completed. In a similar way, the states of pins in a product that is reset by an on-chip power-on reset function are not guaranteed from the time when power is supplied until the power reaches the level at which resetting is specified.

### 3. Input of signal during power-off state

Do not input signals or an I/O pull-up power supply while the device is powered off. The current injection that results from input of such a signal or I/O pull-up power supply may cause malfunction and the abnormal current that passes in the device at this time may cause degradation of internal elements. Follow the guideline for input signal during power-off state as described in your product documentation.

### 4. Handling of unused pins

Handle unused pins in accordance with the directions given under handling of unused pins in the manual. The input pins of CMOS products are generally in the high-impedance state. In operation with an unused pin in the open-circuit state, extra electromagnetic noise is induced in the vicinity of the LSI, an associated shoot-through current flows internally, and malfunctions occur due to the false recognition of the pin state as an input signal become possible.

### 5. Clock signals

After applying a reset, only release the reset line after the operating clock signal becomes stable. When switching the clock signal during program execution, wait until the target clock signal is stabilized. When the clock signal is generated with an external resonator or from an external oscillator during a reset, ensure that the reset line is only released after full stabilization of the clock signal. Additionally, when switching to a clock signal produced with an external resonator or by an external oscillator while program execution is in progress, wait until the target clock signal is stable.

### 6. Voltage application waveform at input pin

Waveform distortion due to input noise or a reflected wave may cause malfunction. If the input of the CMOS device stays in the area between  $V_{IL}$  (Max.) and  $V_{IH}$  (Min.) due to noise, for example, the device may malfunction. Take care to prevent chattering noise from entering the device when the input level is fixed, and also in the transition period when the input level passes through the area between  $V_{IL}$  (Max.) and  $V_{IH}$  (Min.).

### 7. Prohibition of access to reserved addresses

Access to reserved addresses is prohibited. The reserved addresses are provided for possible future expansion of functions. Do not access these addresses as the correct operation of the LSI is not guaranteed.

### 8. Differences between products

Before changing from one product to another, for example to a product with a different part number, confirm that the change will not lead to problems. The characteristics of a microprocessing unit or microcontroller unit products in the same group but having a different part number might differ in terms of internal memory capacity, layout pattern, and other factors, which can affect the ranges of electrical characteristics, such as characteristic values, operating margins, immunity to noise, and amount of radiated noise. When changing to a product with a different part number, implement a system-evaluation test for the given product.

## Notice

1. Descriptions of circuits, software and other related information in this document are provided only to illustrate the operation of semiconductor products and application examples. You are fully responsible for the incorporation or any other use of the circuits, software, and information in the design of your product or system. Renesas Electronics disclaims any and all liability for any losses and damages incurred by you or third parties arising from the use of these circuits, software, or information.
2. Renesas Electronics hereby expressly disclaims any warranties against and liability for infringement or any other claims involving patents, copyrights, or other intellectual property rights of third parties, by or arising from the use of Renesas Electronics products or technical information described in this document, including but not limited to, the product data, drawings, charts, programs, algorithms, and application examples.
3. No license, express, implied or otherwise, is granted hereby under any patents, copyrights or other intellectual property rights of Renesas Electronics or others.
4. You shall be responsible for determining what licenses are required from any third parties, and obtaining such licenses for the lawful import, export, manufacture, sales, utilization, distribution or other disposal of any products incorporating Renesas Electronics products, if required.
5. You shall not alter, modify, copy, or reverse engineer any Renesas Electronics product, whether in whole or in part. Renesas Electronics disclaims any and all liability for any losses or damages incurred by you or third parties arising from such alteration, modification, copying or reverse engineering.
6. Renesas Electronics products are classified according to the following two quality grades: "Standard" and "High Quality". The intended applications for each Renesas Electronics product depends on the product's quality grade, as indicated below.

"Standard": Computers; office equipment; communications equipment; test and measurement equipment; audio and visual equipment; home electronic appliances; machine tools; personal electronic equipment; industrial robots; etc.

"High Quality": Transportation equipment (automobiles, trains, ships, etc.); traffic control (traffic lights); large-scale communication equipment; key financial terminal systems; safety control equipment; etc.

Unless expressly designated as a high reliability product or a product for harsh environments in a Renesas Electronics data sheet or other Renesas Electronics document, Renesas Electronics products are not intended or authorized for use in products or systems that may pose a direct threat to human life or bodily injury (artificial life support devices or systems; surgical implantations; etc.), or may cause serious property damage (space system; undersea repeaters; nuclear power control systems; aircraft control systems; key plant systems; military equipment; etc.). Renesas Electronics disclaims any and all liability for any damages or losses incurred by you or any third parties arising from the use of any Renesas Electronics product that is inconsistent with any Renesas Electronics data sheet, user's manual or other Renesas Electronics document.

7. No semiconductor product is absolutely secure. Notwithstanding any security measures or features that may be implemented in Renesas Electronics hardware or software products, Renesas Electronics shall have absolutely no liability arising out of any vulnerability or security breach, including but not limited to any unauthorized access to or use of a Renesas Electronics product or a system that uses a Renesas Electronics product. RENESAS ELECTRONICS DOES NOT WARRANT OR GUARANTEE THAT RENESAS ELECTRONICS PRODUCTS, OR ANY SYSTEMS CREATED USING RENESAS ELECTRONICS PRODUCTS WILL BE INVULNERABLE OR FREE FROM CORRUPTION, ATTACK, VIRUSES, INTERFERENCE, HACKING, DATA LOSS OR THEFT, OR OTHER SECURITY INTRUSION ("Vulnerability Issues"). RENESAS ELECTRONICS DISCLAIMS ANY AND ALL RESPONSIBILITY OR LIABILITY ARISING FROM OR RELATED TO ANY VULNERABILITY ISSUES. FURTHERMORE, TO THE EXTENT PERMITTED BY APPLICABLE LAW, RENESAS ELECTRONICS DISCLAIMS ANY AND ALL WARRANTIES, EXPRESS OR IMPLIED, WITH RESPECT TO THIS DOCUMENT AND ANY RELATED OR ACCOMPANYING SOFTWARE OR HARDWARE, INCLUDING BUT NOT LIMITED TO THE IMPLIED WARRANTIES OF MERCHANTABILITY, OR FITNESS FOR A PARTICULAR PURPOSE.
8. When using Renesas Electronics products, refer to the latest product information (data sheets, user's manuals, application notes, "General Notes for Handling and Using Semiconductor Devices" in the reliability handbook, etc.), and ensure that usage conditions are within the ranges specified by Renesas Electronics with respect to maximum ratings, operating power supply voltage range, heat dissipation characteristics, installation, etc. Renesas Electronics disclaims any and all liability for any malfunctions, failure or accident arising out of the use of Renesas Electronics products outside of such specified ranges.
9. Although Renesas Electronics endeavors to improve the quality and reliability of Renesas Electronics products, semiconductor products have specific characteristics, such as the occurrence of failure at a certain rate and malfunctions under certain use conditions. Unless designated as a high reliability product or a product for harsh environments in a Renesas Electronics data sheet or other Renesas Electronics document, Renesas Electronics products are not subject to radiation resistance design. You are responsible for implementing safety measures to guard against the possibility of bodily injury, injury or damage caused by fire, and/or danger to the public in the event of a failure or malfunction of Renesas Electronics products, such as safety design for hardware and software, including but not limited to redundancy, fire control and malfunction prevention, appropriate treatment for aging degradation or any other appropriate measures. Because the evaluation of microcomputer software alone is very difficult and impractical, you are responsible for evaluating the safety of the final products or systems manufactured by you.
10. Please contact a Renesas Electronics sales office for details as to environmental matters such as the environmental compatibility of each Renesas Electronics product. You are responsible for carefully and sufficiently investigating applicable laws and regulations that regulate the inclusion or use of controlled substances, including without limitation, the EU RoHS Directive, and using Renesas Electronics products in compliance with all these applicable laws and regulations. Renesas Electronics disclaims any and all liability for damages or losses occurring as a result of your noncompliance with applicable laws and regulations.
11. Renesas Electronics products and technologies shall not be used for or incorporated into any products or systems whose manufacture, use, or sale is prohibited under any applicable domestic or foreign laws or regulations. You shall comply with any applicable export control laws and regulations promulgated and administered by the governments of any countries asserting jurisdiction over the parties or transactions.
12. It is the responsibility of the buyer or distributor of Renesas Electronics products, or any other party who distributes, disposes of, or otherwise sells or transfers the product to a third party, to notify such third party in advance of the contents and conditions set forth in this document.
13. This document shall not be reprinted, reproduced or duplicated in any form, in whole or in part, without prior written consent of Renesas Electronics.
14. Please contact a Renesas Electronics sales office if you have any questions regarding the information contained in this document or Renesas Electronics products.

(Note1) "Renesas Electronics" as used in this document means Renesas Electronics Corporation and also includes its directly or indirectly controlled subsidiaries.

(Note2) "Renesas Electronics product(s)" means any product developed or manufactured by or for Renesas Electronics.

(Rev.5.0-1 October 2020)

## Corporate Headquarters

TOYOSU FORESIA, 3-2-24 Toyosu,  
Koto-ku, Tokyo 135-0061, Japan  
[www.renesas.com](http://www.renesas.com)

## Trademarks

Renesas and the Renesas logo are trademarks of Renesas Electronics Corporation.  
All trademarks and registered trademarks are the property of their respective owners.

## Contact Information

For further information on a product, technology, the most up-to-date version of a document, or your nearest sales office, please visit:  
[www.renesas.com/contact/](http://www.renesas.com/contact/)