

120-MHz 32-bit RX MCU, on-chip double-precision FPU, 707 CoreMark, up to 2-MB flash memory (supporting the dual bank function), 384-KB SRAM, various communications interfaces, including SD host interface, Quad SPI, and CAN, Capacitive touch sensing unit, 12-bit A/D converter, RTC, Encryption function, Serial sound interface, Remote control signal receiver

## Features

### ■ 32-bit RXv3 CPU core

- Maximum operating frequency: 120 MHz  
Capable of 707 CoreMark in operation at 120 MHz
- Double-precision 64-bit IEEE-754 floating point
- A collective register bank save function is available.
- Supports the memory protection unit (MPU)
- JTAG and FINE (one-line) debugging interfaces

### ■ Low-power design and architecture

- Operation from a single 2.7- to 3.6-V supply
- Battery supply of backup power allows continued operations of the RTC and the backup registers.
- Four low-power modes

### ■ On-chip code flash memory

- Supports versions with up to 2 Mbytes of ROM
- No wait cycles at up to 60 MHz or when the ROM cache is hit, one-wait state at up to 120 MHz
- User code is programmable by on-board or off-board programming.
- Programming/erasing as background operations (BGOs)
- A dual-bank structure allows exchanging the start-up bank.

### ■ On-chip data flash memory

- 8 Kbytes, reprogrammable up to 100,000 times
- Programming/erasing as background operations (BGOs)

### ■ On-chip SRAM

- 384 Kbytes of SRAM (no wait states)
- 4 Kbytes of standby RAM (backup on deep software standby)

### ■ External address space

- Buses for full-speed data transfer (maximum operating frequency of 60 MHz)
- 8 CS areas
- 8- or 16-bit bus space is selectable per area
- Independent SDRAM area (128 Mbytes)

### ■ Data transfer

- DMACAb: 8 channels
- DTCb: 1 channel
- EXDMACa: 2 channels

### ■ Reset and supply management

- Power-on reset (POR)
- Low voltage detection (LVD) with voltage settings
- Backup domain low power detection

### ■ Clock functions

- External crystal resonator or internal PLL for operation at 8 to 24 MHz
- A sub-clock oscillator connectable to a 32.768-kHz crystal resonator
- Internal 240-kHz LOCO and HOCO selectable from 16, 18, and 20 MHz
- 120-kHz clock for the IWDtA

### ■ Real-time clock

- Adjustment functions (30 seconds, leap year, and error)
- Real-time clock counting and binary counting modes are selectable
- Time capture in response to an event-signal input

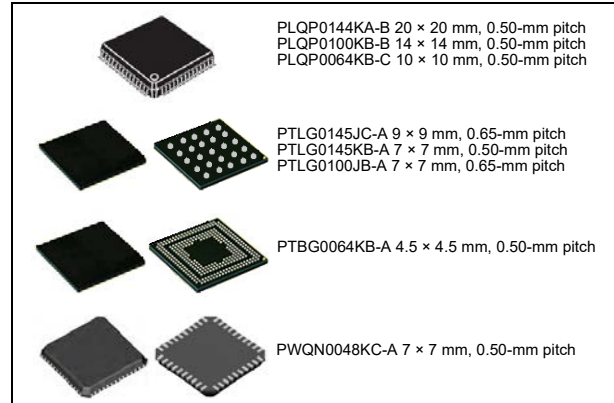
### ■ Independent watchdog timer

- Operates with the 120-kHz clock frequency generated by the dedicated low-speed oscillator

### ■ Useful functions for IEC60730 compliance

- Oscillation-stoppage detection, frequency measurement, CRCA, IWDtA, self-diagnostic function for the A/D converter, etc.
- Register write protection function that protects important registers against overwriting

### ■ Remote control signal receiver



### ■ Various communications interfaces

- PHY layer (up to 2 channels) for host/function or OTG controller (1 channel) with full-speed USB 2.0 transfer
- CAN (compliant with ISO11898-1), incorporating 32 mailboxes (up to 2 channels)
- SCIk and SCIlh with multiple functionalities (up to 13 channels)  
Choose from among asynchronous mode, clock-synchronous mode, smart-card interface mode, simplified SPI, simplified I<sup>2</sup>C, and extended serial mode.
- SCIm with 16-byte transmission and reception FIFOs (up to 2 channels)
- Up to two RSCIs with Manchester encoding and HBS functionality
- The I<sup>2</sup>C bus interfaces RIIC and RIICHS for transfer at up to 3.4 Mbps (up to 3 channels), and the RIICHS also supports high-speed mode.
- Single I/O RSPId (3 channels), single I/O RSPIA (1 channel), and quad QSPIX (1 channel). The QSPIX supports fetching from serial flash memory.
- SD host interface (1 channel) with a 1- or 4-bit SD bus for use with SD memory or SDIO
- Serial sound interface supporting various audio data formats, including I<sup>2</sup>S

### ■ Up to 25 extended-function timers

- 16-bit TPUa, MTU3a
- 8-bit TMRb (4 channels), 16-bit CMT (4 channels), 32-bit CMTW (2 channels)

### ■ 12-bit A/D converter

- Two 12-bit units (8 channels for unit 0; 12 channels for unit 1)
- Self diagnosis, detection of analog input disconnection

### ■ Temperature sensor for measuring temperature within the chip

### ■ Capacitive touch sensing unit

- Self-capacitance method: A single pin configures a single key, supporting up to 17 keys
- Mutual capacitance method: Matrix configuration with 17 pins, supporting up to 64 keys

### ■ Encryption function

- Trusted Secure IP (TSIP)  
AES128/192/256, TDES, ARC4, RSA, ECC,  
True-random number generator (TRNG), SHA1, SHA224, SHA256,  
MD5, GHASH, Prevention of the illicit copying of keys

### ■ Up to 114 pins for general I/O ports

- 5-V tolerance, open drain, input pull-up, switchable driving ability

### ■ Operating temp. range

- D-version: -40°C to +85°C
- G-version: -40°C to +105°C

# 1. Overview

## 1.1 Outline of Specifications

Table 1.1 lists the specifications in outline, and Table 1.2 give a comparison of the functions of products in different packages.

Table 1.1 is an outline of maximum specifications, and the peripheral modules and the number of channels of the modules differ depending on the number of pins on the package. For details, see Table 1.2, Comparison of Functions for Different Packages.

**Table 1.1 Outline of Specifications (1/10)**

Classification	Module/Function	Description	
CPU	CPU	<ul style="list-style-type: none"> <li>Maximum operating frequency: 120 MHz</li> <li>32-bit RX CPU (RXv3)</li> <li>Minimum instruction execution time: One instruction per state (cycle of the system clock)</li> <li>Address space: 4-Gbyte linear</li> <li>Register set of the CPU               <ul style="list-style-type: none"> <li>General purpose: Sixteen 32-bit registers</li> <li>Control: Ten 32-bit registers</li> <li>Accumulator: Two 72-bit registers</li> </ul> </li> <li>113 instructions               <ul style="list-style-type: none"> <li>Instructions installed as standard: 111                   <ul style="list-style-type: none"> <li>Basic instructions: 77</li> <li>Single-precision floating-point operation instructions: 11</li> <li>DSP instructions: 23</li> </ul> </li> <li>Instructions for register bank save function: 2</li> </ul> </li> <li>Addressing modes: 11</li> <li>Data arrangement               <ul style="list-style-type: none"> <li>Instructions: Little endian</li> <li>Data: Selectable as little endian or big endian</li> </ul> </li> <li>On-chip 32-bit multiplier: <math>32 \times 32 \rightarrow 64</math> bits</li> <li>On-chip divider: <math>32 / 32 \rightarrow 32</math> bits</li> <li>Barrel shifter: 32 bits</li> </ul>	
		FPU	<ul style="list-style-type: none"> <li>Single precision (32-bit) floating point</li> <li>Data types and floating-point exceptions in conformance with the IEEE754 standard</li> </ul>
		Double-precision floating point coprocessor	<ul style="list-style-type: none"> <li>Double-precision floating-point register set               <ul style="list-style-type: none"> <li>Double-precision floating-point data registers: 16, each with 64-bit width</li> <li>Double-precision floating-point control registers: Four, each with 32-bit width</li> </ul> </li> <li>Double-precision floating-point processing instructions: 21</li> <li>Notifying the interrupt controller of double-precision floating-point exceptions</li> </ul>
		Register bank save function	<ul style="list-style-type: none"> <li>Fast collective saving and restoration of the values of CPU registers</li> <li>16 save register banks</li> </ul>
		Memory	Code flash memory
	Data flash memory	<ul style="list-style-type: none"> <li>Capacity: 8 Kbytes</li> <li>Programming/erasing: 100,000 times</li> </ul>	
	Unique ID	<ul style="list-style-type: none"> <li>16-byte unique ID for the device</li> </ul>	
	RAM	<ul style="list-style-type: none"> <li>Capacity: 384 Kbytes</li> <li>120 MHz, no-wait access</li> </ul>	
	Standby RAM	<ul style="list-style-type: none"> <li>Capacity: 4 Kbytes</li> <li>Operation synchronized with PCLKB: Up to 60 MHz, two-cycle access</li> </ul>	

**Table 1.1 Outline of Specifications (2/10)**

Classification	Module/Function	Description
Operating modes		<ul style="list-style-type: none"> <li>Operating modes by the mode-setting pins at the time of release from the reset state               <ul style="list-style-type: none"> <li>Single-chip mode</li> <li>Boot mode (for the SCI interface)</li> <li>Boot mode (for the USB interface)</li> <li>Boot mode (for the FINE interface)</li> </ul> </li> <li>Selection of operating mode by register setting               <ul style="list-style-type: none"> <li>Single-chip mode</li> <li>On-chip ROM disabled extended mode</li> <li>On-chip ROM enabled extended mode</li> </ul> </li> <li>Endian selectable</li> </ul>
Clock	Clock generation circuit	<ul style="list-style-type: none"> <li>Main clock oscillator, sub clock oscillator, low-speed/high-speed on-chip oscillator, PLL frequency synthesizer, and IWDG-dedicated on-chip oscillator</li> <li>The peripheral module clocks can be set to frequencies above that of the system clock.</li> <li>Main-clock oscillation stoppage detection</li> <li>Separate frequency-division and multiplication settings for the system clock (ICLK), peripheral module clocks (PCLKA, PCLKB, PCLKC, PCLKD), flash-IF clock (FCLK) and external bus clock (BCLK)               <ul style="list-style-type: none"> <li>The CPU and other bus masters run in synchronization with the system clock (ICLK): Up to 120 MHz</li> <li>QSPIX runs in synchronization with ICLK at Up to 120 MHz.</li> <li>Peripheral modules of MTU, RSPI, SCIm, RSPIA, RSCI, and RIICHS run in synchronization with PCLKA, which operates at up to 120 MHz.</li> <li>Other peripheral modules run in synchronization with PCLKB: Up to 60 MHz</li> <li>ADCLK in the S12AD (unit 0) runs in synchronization with PCLKC: Up to 60 MHz</li> <li>ADCLK in the S12AD (unit 1) runs in synchronization with PCLKD: Up to 60 MHz</li> <li>Flash IF run in synchronization with the flash-IF clock (FCLK): Up to 60 MHz</li> <li>Devices connected to the external bus run in synchronization with the external bus clock (BCLK): Up to 60 MHz</li> </ul> </li> <li>Multiplication is possible with using the high-speed on-chip oscillator (HOCO) as a reference clock of the PLL circuit</li> <li>External clock input frequency: 30 MHz (max)</li> <li>Clock output function</li> </ul>
Reset		<p>Nine types of reset</p> <ul style="list-style-type: none"> <li>RES# pin reset: Generated when the RES# pin is driven low.</li> <li>Power-on reset: Generated when the RES# pin is driven high and VCC = AVCC0 = AVCC1 rises.</li> <li>Voltage-monitoring 0 reset: Generated when VCC = AVCC0 = AVCC1 falls.</li> <li>Voltage-monitoring 1 reset: Generated when VCC = AVCC0 = AVCC1 falls.</li> <li>Voltage-monitoring 2 reset: Generated when VCC = AVCC0 = AVCC1 falls.</li> <li>Deep software standby reset: Generated in response to an interrupt to trigger release from deep software standby.</li> <li>Independent watchdog timer reset: Generated when the independent watchdog timer underflows, or a refresh error occurs.</li> <li>Watchdog timer reset: Generated when the watchdog timer underflows, or a refresh error occurs.</li> <li>Software reset: Generated by register setting.</li> </ul>
Power-on reset		<p>If the RES# pin is at the high level when power is supplied, an internal reset is generated. After VCC = AVCC0 = AVCC1 has exceeded the voltage detection level and the specified period has elapsed, the reset is cancelled.</p>
Voltage detection circuit (LVDA)		<p>Monitors the voltage being input to the VCC = AVCC0 = AVCC1 pins and generates an internal reset or interrupt.</p> <ul style="list-style-type: none"> <li>Voltage detection circuit 0           <ul style="list-style-type: none"> <li>Capable of generating an internal reset</li> <li>The option-setting memory can be used to select enabling or disabling of the reset.</li> <li>Voltage detection level: Selectable from three different levels (2.94 V, 2.87 V, 2.80 V)</li> </ul> </li> <li>Voltage detection circuits 1 and 2           <ul style="list-style-type: none"> <li>Voltage detection level: Selectable from three different levels (2.99 V, 2.92 V, 2.85 V)</li> <li>Digital filtering (1/2, 1/4, 1/8, and 1/16 LOCO frequency)</li> <li>Capable of generating an internal reset</li> <li>Two types of timing are selectable for release from reset</li> <li>An internal interrupt can be requested.</li> <li>Detection of voltage rising above and falling below thresholds is selectable.</li> <li>Maskable or non-maskable interrupt is selectable</li> <li>Voltage detection monitoring</li> <li>Event linking</li> </ul> </li> </ul>

**Table 1.1 Outline of Specifications (3/10)**

Classification	Module/Function	Description
Low power consumption	Low power consumption function	<ul style="list-style-type: none"> <li>Module stop function</li> <li>Four low power consumption modes Sleep mode, all-module clock stop mode, software standby mode, and deep software standby mode</li> </ul>
	Battery backup function	<ul style="list-style-type: none"> <li>When the voltage on the VCC pin drops, power can be supplied to the backup power area from the VBATT pin.</li> <li>Backup power area: Sub-clock oscillator Realtime clock Backup register Tamper detection</li> <li>Detection of low voltage in the backup power area</li> </ul>
Interrupt	Interrupt controller (ICUE)	<ul style="list-style-type: none"> <li>Peripheral function interrupts: 256 sources</li> <li>External interrupts: 16 (pins IRQ0 to IRQ15)</li> <li>Software interrupts: 2 sources</li> <li>Non-maskable interrupts: 8 sources</li> <li>Sixteen levels specifiable for the order of priority</li> <li>Method of interrupt source selection: The interrupt vectors consist of 256 vectors (128 sources are fixed. The remaining 133 vectors are selected from among the other 128 sources.)</li> </ul>
External bus extension		<ul style="list-style-type: none"> <li>The external address space can be divided into eight areas (CS0 to CS7), each with independent control of access settings. Capacity of each area: 16 Mbytes (CS0 to CS7) A chip-select signal (CS0# to CS7#) can be output for each area. Each area is specifiable as an 8-, or 16-bit bus space. The data arrangement in each area is selectable as little or big endian (only for data).</li> <li>SDRAM interface connectable</li> <li>Bus format: Separate bus, multiplex bus</li> <li>Wait control</li> <li>Write buffer facility</li> </ul>
DMA	DMA controller (DMACAb)	<ul style="list-style-type: none"> <li>8 channels</li> <li>Three transfer modes: Normal transfer, repeat transfer, and block transfer</li> <li>Activation sources: Software trigger, external interrupts, and interrupt requests from peripheral functions</li> <li>Transfer space: 4 Gbytes (0000 0000h to FFFF FFFFh excluding reserved areas)</li> </ul>
	EXDMA controller (EXDMACa)	<ul style="list-style-type: none"> <li>2 channels</li> <li>Four transfer modes: Normal transfer, repeat transfer, block transfer, and cluster transfer</li> <li>Single-address transfer enabled with the EDACKn signal</li> <li>Request sources: Software trigger, external DMA requests (EDREQn), and interrupt requests from peripheral functions</li> </ul>
	Data transfer controller (DTCb)	<ul style="list-style-type: none"> <li>Three transfer modes: Normal transfer, repeat transfer, and block transfer</li> <li>Request sources: External interrupts and interrupt requests from peripheral functions</li> <li>Sequence transfer</li> </ul>

**Table 1.1 Outline of Specifications (4/10)**

Classification	Module/Function	Description
I/O ports	Programmable I/O ports	<ul style="list-style-type: none"> <li>I/O ports for the 145-pin TFLGA (0.65-mm pitch) I/O pins: 111 Input pin: 1 Pull-up resistors: 111 Open-drain outputs: 111 5-V tolerance: 20</li> <li>I/O ports for the 145-pin TFLGA (0.50-mm pitch) and 144-pin LFQFP I/O pins: 113 Input pin: 1 Pull-up resistors: 113 Open-drain outputs: 113 5-V tolerance: 20</li> <li>I/O ports for the 100-pin TFLGA and 100-pin LFQFP I/O pins: 80 Input pin: 1 Pull-up resistors: 80 Open-drain outputs: 80 5-V tolerance: 18</li> <li>I/O ports for the 64-pin TFBGA I/O pins: 43 Input pin: 1 Pull-up resistors: 43 Open-drain outputs: 43 5-V tolerance: 8</li> <li>I/O ports for the 64-pin LFQFP I/O pins: 44 Input pin: 1 Pull-up resistors: 44 Open-drain outputs: 44 5-V tolerance: 8</li> <li>I/O ports for the 48-pin HWQFN I/O pins: 33 Input pin: 1 Pull-up resistors: 33 Open-drain outputs: 33 5-V tolerance: 6</li> </ul>
Event link controller (ELC)		<ul style="list-style-type: none"> <li>Event signals such as interrupt request signals can be interlinked with the operation of functions such as timer counting, eliminating the need for intervention by the CPU to control the functions.</li> <li>99 internal event signals can be freely combined for interlinked operation with connected functions.</li> <li>Event signals from peripheral modules can be used to change the states of output pins (of ports B and E).</li> <li>Changes in the states of pins (of ports B and E) being used as inputs can be interlinked with the operation of peripheral modules.</li> </ul>
Timers	16-bit timer pulse unit (TPUa)	<ul style="list-style-type: none"> <li>(16 bits × 6 channels) × 1 unit</li> <li>Maximum of 16 pulse-input/output possible</li> <li>Select from among seven or eight counter-input clock signals for each channel</li> <li>Input capture/output compare function</li> <li>Output of PWM waveforms in up to 15 phases in PWM mode</li> <li>Support for buffered operation, phase-counting mode (two phase encoder input) and cascade-connected operation (32 bits × 2 channels) depending on the channel.</li> <li>PPG output trigger can be generated</li> <li>Capable of generating conversion start triggers for the A/D converters</li> <li>Digital filtering of signals from the input capture pins</li> <li>Event linking by the ELC</li> </ul>
	8-bit timers (TMRb)	<ul style="list-style-type: none"> <li>(8 bits × 2 channels) × 2 units</li> <li>Select from among seven internal clock signals (PCLKB/1, PCLKB/2, PCLKB/8, PCLKB/32, PCLKB/64, PCLKB/1024, PCLKB/8192) and one external clock signal</li> <li>Capable of output of pulse trains with desired duty cycles or of PWM signals</li> <li>The 2 channels of each unit can be cascaded to create a 16-bit timer</li> <li>Generation of triggers for A/D converter conversion</li> <li>Capable of generating baud-rate clocks for SCI5, SCI6, and SCI12</li> <li>Capable of generating operating clock for the remote control signal receiver (REMC)</li> <li>Event linking by the ELC</li> </ul>

**Table 1.1 Outline of Specifications (5/10)**

Classification	Module/Function	Description
Timers	Compare match timer (CMT)	<ul style="list-style-type: none"> <li>• (16 bits × 2 channels) × 2 units</li> <li>• Select from among four internal clock signals (PCLKB/8, PCLKB/32, PCLKB/128, PCLKB/512)</li> <li>• Event linking by the ELC</li> </ul>
	Compare match timer W (CMTW)	<ul style="list-style-type: none"> <li>• (32 bits × 1 channel) × 2 units</li> <li>• Compare-match, input-capture input, and output-comparison output are available.</li> <li>• Select from among four internal clock signals (PCLKB/8, PCLKB/32, PCLKB/128, PCLKB/512)</li> <li>• Interrupt requests can be output in response to compare-match, input-capture, and output-comparison events.</li> <li>• Event linking by the ELC</li> </ul>
	Watchdog timer (WDTA)	<ul style="list-style-type: none"> <li>• 14 bits × 1 channel</li> <li>• Select from among 6 counter-input clock signals (PCLKB/4, PCLKB/64, PCLKB/128, PCLKB/512, PCLKB/2048, PCLKB/8192)</li> </ul>
	Independent watchdog timer (IWDTa)	<ul style="list-style-type: none"> <li>• 14 bits × 1 channel</li> <li>• Counter-input clock: IWDT-dedicated on-chip oscillator</li> <li>• Dedicated clock/1, dedicated clock/16, dedicated clock/32, dedicated clock/64, dedicated clock/128, dedicated clock/256</li> <li>• Window function: The positions where the window starts and ends are specifiable (the window defines the timing with which refreshing is enabled and disabled).</li> <li>• Event linking by the ELC</li> </ul>
	Multifunction timer pulse unit (MTU3a)	<ul style="list-style-type: none"> <li>• 9 channels (16 bits × 8 channels, 32 bits × 1 channel)</li> <li>• Maximum of 28 pulse-input/output and 3 pulse-input possible</li> <li>• Select from among 14 counter-input clock signals for each channel (PCLKA/1, PCLKA/2, PCLKA/4, PCLKA/8, PCLKA/16, PCLKA/A32, PCLKA/64, PCLKA/256, PCLKA/1024, MTCLKA, MTCLKB, MTCLKC, MTCLKD, MTIOC1A)</li> <li>• 14 of the signals are available for channel 0, 11 are available for channels 1, 3, 4, 6 to 8, 12 are available for channel 2, and 10 are available for channel 5.</li> <li>• Input capture function</li> <li>• 39 output compare/input capture registers</li> <li>• Counter clear operation (synchronous clearing by compare match/input capture)</li> <li>• Simultaneous writing to multiple timer counters (TCNT)</li> <li>• Simultaneous register input/output by synchronous counter operation</li> <li>• Buffered operation</li> <li>• Support for cascade-connected operation</li> <li>• 43 interrupt sources</li> <li>• Automatic transfer of register data</li> <li>• Pulse output mode Toggle/PWM/complementary PWM/reset-synchronized PWM</li> <li>• Complementary PWM output mode Outputs non-overlapping waveforms for controlling 3-phase inverters Automatic specification of dead times PWM duty cycle: Selectable as any value from 0% to 100% Delay can be applied to requests for A/D conversion. Non-generation of interrupt requests at peak or trough values of counters can be selected.</li> <li>• Double buffer configuration</li> <li>• Reset synchronous PWM mode Three phases of positive and negative PWM waveforms can be output with desired duty cycles.</li> <li>• Phase-counting mode: 16-bit mode (channels 1 and 2); 32-bit mode (channels 1 and 2)</li> <li>• Counter functionality for dead-time compensation</li> <li>• Generation of triggers for A/D converter conversion</li> <li>• A/D converter start triggers can be skipped</li> <li>• Digital filter function for signals on the input capture and external counter clock pins</li> <li>• PPG output trigger can be generated</li> <li>• Event linking by the ELC</li> </ul>
	Port output enable 3 (POE3a)	<ul style="list-style-type: none"> <li>• Control of the high-impedance state of the MTU waveform output pins</li> <li>• 5 pins for input from signal sources: POE0#, POE4#, POE8#, POE10#, POE11#</li> <li>• Initiation on detection of short-circuited outputs (detection of simultaneous PWM output to the active level)</li> <li>• Initiation by oscillation-stoppage detection or software</li> <li>• Additional programming of output control target pins is enabled</li> </ul>

**Table 1.1 Outline of Specifications (6/10)**

Classification	Module/Function	Description
Timers	Programmable pulse generator (PPG)	<ul style="list-style-type: none"> <li>• (4 bits × 4 groups) × 2 units</li> <li>• Pulse output with the MTU or TPU output as a trigger</li> <li>• Maximum of 32 pulse-output possible</li> </ul>
	Realtime clock (RTCd)*1	<ul style="list-style-type: none"> <li>• Clock sources: Main clock, sub clock</li> <li>• Selection of the 32-bit binary count in time count/second unit possible</li> <li>• Clock and calendar functions</li> <li>• Interrupt sources: Alarm interrupt, periodic interrupt, and carry interrupt</li> <li>• Battery backup operation</li> <li>• Time capture function (up to 3 pins)</li> <li>• Event linking by the ELC</li> </ul>
Communication function	USB 2.0 FS host/function module (USBb)	<ul style="list-style-type: none"> <li>• Includes a UDC (USB Device Controller) and transceiver for USB 2.0 FS</li> <li>• Up to two ports</li> <li>• Compliance with the USB 2.0 specification</li> <li>• Transfer rate: Full speed (12 Mbps), low speed (1.5 Mbps) (host only)</li> <li>• Both self-powered mode and bus-powered mode are supported</li> <li>• OTG (On the Go) operation is possible (low-speed is not supported)</li> <li>• Incorporates 2 Kbytes of RAM as a transfer buffer</li> <li>• External pull-up and pull-down resistors are not required</li> </ul>
	Serial communications interfaces (SCIk, SCIm, SCIlh)	<ul style="list-style-type: none"> <li>• 13 channels (SCIk: 10 channels + SCIlh: 1 channel + SCIm: 2 channels)</li> <li>• SCIk, SCIlh, SCIm</li> </ul> <p>Serial communications modes: Asynchronous, clock synchronous, and smart-card interface</p> <p>Multi-processor function</p> <p>On-chip baud rate generator allows selection of the desired bit rate</p> <p>Choice of LSB-first or MSB-first transfer</p> <p>Start-bit detection: Level or edge detection is selectable.</p> <p>Simple I<sup>2</sup>C</p> <p>Simple SPI</p> <p>9-bit transfer mode</p> <p>Bit rate modulation</p> <p>Double-speed mode</p> <ul style="list-style-type: none"> <li>• SCIk, SCIlh</li> </ul> <p>Average transfer rate clock can be input from TMR timers for SCIl5, SCIl6, and SCIl12</p> <p>Event linking by the ELC (only on channel 5)</p> <ul style="list-style-type: none"> <li>• SCIlh</li> </ul> <p>Supports the serial communications protocol, which contains the start frame and information frame</p> <p>Supports the LIN format</p> <ul style="list-style-type: none"> <li>• SCIm</li> </ul> <p>Data can be transmitted or received in sequence by the 16-byte FIFO buffers of the transmission and reception unit</p> <ul style="list-style-type: none"> <li>• SCIk, SCIm</li> </ul> <p>Data match detection</p> <p>Adjustment of the timing of sampling of the RXD signals</p>



**Table 1.1 Outline of Specifications (7/10)**

Classification	Module/Function	Description
Communication function	Serial communications interfaces (RSCI)	<ul style="list-style-type: none"> <li>• 2 channels (RSCI10, RSCI11)</li> <li>• Serial communications modes: Asynchronous, clock synchronous, and smart-card interface</li> <li>• Multi-processor function</li> <li>• On-chip baud rate generator allows selection of the desired bit rate</li> <li>• Choice of LSB-first or MSB-first transfer</li> <li>• Start-bit detection: Level or edge detection is selectable.</li> <li>• Simple I<sup>2</sup>C</li> <li>• Simple SPI</li> <li>• 9-bit transfer mode</li> <li>• Bit rate modulation</li> <li>• Double-speed mode</li> <li>• Event linking by the ELC (only RSCI10)</li> <li>• Supports the serial communications protocol, which contains the start frame and information frame</li> <li>• Supports the LIN format</li> <li>• Data can be transmitted or received in sequence by the 32-byte FIFO buffers of the transmission and reception unit</li> <li>• Manchester encoding is supported.</li> <li>• HBS (home bus system) support mode</li> <li>• Data match detection</li> <li>• Adjustment of the timing of sampling of the RXD signals</li> </ul>
	I <sup>2</sup> C bus interface (RIICa)	<ul style="list-style-type: none"> <li>• 3 channels (only channel 0 can be used in fast-mode plus)</li> </ul> <p>Communication formats I<sup>2</sup>C bus format/SMBus format Supports the multi-master Max. transfer rate: 1 Mbps (channel 0)</p> <ul style="list-style-type: none"> <li>• Event linking by the ELC</li> </ul>
	High-speed I <sup>2</sup> C bus interface (RIICHs)	<ul style="list-style-type: none"> <li>• 1 channel</li> </ul> <p>Communication formats I<sup>2</sup>C bus format/SMBus format Supports the multi-master Max. transfer rate: 3.4 Mbps</p> <ul style="list-style-type: none"> <li>• Event linking by the ELC</li> </ul>
	CAN module (CAN)	<ul style="list-style-type: none"> <li>• 2 channels</li> <li>• Compliance with the ISO11898-1 specification (standard frame and extended frame)</li> <li>• 32 mailboxes per channel</li> </ul>
	Serial peripheral interface (RSPId)	<ul style="list-style-type: none"> <li>• 3 channels</li> <li>• RSPId transfer facility Using the MOSI (master out, slave in), MISO (master in, slave out), SSL (slave select), and RSPCK (RSPId clock) signals enables serial transfer through SPI operation (four lines) or clock-synchronous operation (three lines) Capable of handling serial transfer as a master or slave</li> <li>• Data formats Switching between MSB first and LSB first The number of bits in each transfer can be changed to any number of bits from 8 to 16, or to 20, 24, or 32 bits. 128-bit buffers for transmission and reception Up to four frames can be transmitted or received in a single transfer operation (with each frame having up to 32 bits) Transmit/receive data can be swapped in byte units</li> <li>• Buffered structure Double buffers for both transmission and reception RSPCK can be stopped with the receive buffer full for master reception.</li> <li>• Event linking by the ELC</li> </ul>



**Table 1.1 Outline of Specifications (8/10)**

Classification	Module/Function	Description
Communication function	Serial peripheral interface (RSPIA)	<ul style="list-style-type: none"> <li>• 1 channel</li> <li>• RSPI transfer facility Using the MOSI (master out, slave in), MISO (master in, slave out), SSL (slave select), and RSPCK (RSPI clock) signals enables serial transfer through SPI operation (four lines) or clock-synchronous operation (three lines) Capable of handling serial transfer as a master or slave</li> <li>• Data formats Switching between MSB first and LSB first The number of bits in each transfer can be changed to any number of bits from 8 to 16, or to 20, 24, or 32 bits. 128-bit buffers for transmission and reception Up to four frames can be transmitted or received in a single transfer operation (with each frame having up to 32 bits) Transit/receive data can be swapped in byte units</li> <li>• Buffered structure The transmission and reception sections have 4-stage and 32-bit-wide FIFO buffers for the sequential transmission and reception of data.</li> <li>• RSPCK can be stopped with the receive buffer full for master reception.</li> <li>• Event linking by the ELC</li> <li>• Communications protocol: RSPIA supports the Texas Instruments Synchronous Serial Protocol (TI SSP).</li> </ul>
	Quad-SPI memory interface (QSPIX)	<ul style="list-style-type: none"> <li>• 1 channel</li> <li>• This interface can handle fetching from serial flash memory that has an SPI-compatible interface.</li> <li>• It supports extended SPI, dual-SPI, and quad-SPI protocols.</li> <li>• Address width is selectable from among 8, 16, 24, and 32 bits.</li> </ul>
	Remote control signal receiver (REMCa)	<ul style="list-style-type: none"> <li>• 1 channel</li> <li>• Four pattern matching (header, data 0, data 1, and special data detection)</li> <li>• 8-byte receive buffer per unit</li> <li>• The operating clock can be selected from among the PCLK, sub-clock, and TMR.</li> </ul>
	Serial sound interface (SSIE)	<ul style="list-style-type: none"> <li>• 1 channel</li> <li>• Full-duplex transmission</li> <li>• Various types of serial audio formatting are supported.</li> <li>• Master and slave operations are supported.</li> <li>• The bit-clock frequency is selectable from among 13 frequencies (1/1, 1/2, 1/4, 1/6, 1/8, 1/12, 1/16, 1/24, 1/32, 1/48, 1/64, 1/96, or 1/128).</li> <li>• Data formats with 8, 16, 18, 20, 22, 24, and 32 bits are supported.</li> <li>• 32-stage FIFO buffers for transmission and reception</li> <li>• Stopping or not stopping the SSILRCK signal on stopping of data transmission is selectable.</li> </ul>
	SD host interface (SDHI)	<ul style="list-style-type: none"> <li>• 1 channel</li> <li>• Transfer speed: Supports high-speed mode (25 MB/s) and default speed mode (12.5 MB/s)</li> <li>• One interface for SD memory and I/O cards (supporting 1- and 4-bit SD buses)</li> <li>• SD specifications Part 1: Physical Layer Specification Ver. 3.01 compliant (DDR not supported) Part E1: SDIO Specification Ver. 3.00</li> <li>• Error checking: CRC7 for commands and CRC16 for data</li> <li>• Interrupt requests: Card access interrupt, SDIO access interrupt, card detection interrupt, SD buffer access interrupt</li> <li>• DMA transfer requests: SD_BUF write and SD_BUF read</li> <li>• Support for card detection and write protection</li> </ul>

**Table 1.1 Outline of Specifications (9/10)**

Classification	Module/Function	Description
12-bit A/D converter (S12ADFa)		<ul style="list-style-type: none"> <li>• 12 bits × 2 units (unit 0: 8 channels; unit 1: 12 channels)</li> <li>• 12-bit resolution (switchable between 8, 10, and 12 bits)</li> <li>• Conversion time 0.48 μs per channel (for 12-bit conversion) 0.45 μs per channel (for 10-bit conversion) 0.42 μs per channel (for 8-bit conversion)</li> <li>• Operating mode Scan mode (single scan mode, continuous scan mode, or 3 group scan mode) Group priority control (only for 3 group scan mode)</li> <li>• Sample-and-hold function Common sample-and-hold circuit included</li> <li>• Sampling variable Sampling time can be set up for each channel.</li> <li>• Digital comparison Method: Comparison to detect voltages above or below thresholds and window comparison Measurement: Comparison of two results of conversion or comparison of a value in the comparison register and a result of conversion</li> <li>• Self-diagnostic function The self-diagnostic function internally generates three analog input voltages (unit 0: VREFL0, VREFH0 × 1/2, VREFH0; unit 1: AVSS1, AVCC1 × 1/2, AVCC1)</li> <li>• Double trigger mode (A/D conversion data duplicated)</li> <li>• Detection of analog input disconnection</li> <li>• Three ways to start A/D conversion Software trigger, timer (MTU, TMR, TPU) trigger, external trigger</li> <li>• Event linking by the ELC</li> </ul>
Temperature sensor		<ul style="list-style-type: none"> <li>• 1 channel</li> <li>• Relative precision: ± 1°C</li> <li>• The voltage of the temperature is converted into a digital value by the 12-bit A/D converter (unit 1).</li> </ul>
Capacitive touch sensing unit (CTSUa)		<ul style="list-style-type: none"> <li>• Detection pin: 17 channels</li> </ul>
Safety	Memory protection unit (MPU)	<ul style="list-style-type: none"> <li>• Protection area: Eight areas (max.) can be specified in the range from 0000 0000h to FFFF FFFFh.</li> <li>• Minimum protection unit: 16 bytes</li> <li>• Reading from, writing to, and enabling the execution access can be specified for each area.</li> <li>• An access exception occurs when the detected access is not in the permitted area.</li> </ul>
	Trusted Memory (TM) Function	<ul style="list-style-type: none"> <li>• Programs in the TM target area in the code flash memory are protected against reading</li> <li>• Instruction fetching by the CPU is the only form of access to these areas when the TM function is enabled.</li> </ul>
	Register write protection function	<ul style="list-style-type: none"> <li>• Protects important registers from being overwritten for in case a program runs out of control.</li> </ul>
	CRC calculator (CRCA)	<ul style="list-style-type: none"> <li>• Generation of CRC codes for 8-/32-bit data 8-bit data Selectable from the following three polynomials <math>X^8 + X^2 + X + 1</math>, <math>X^{16} + X^{15} + X^2 + 1</math>, <math>X^{16} + X^{12} + X^5 + 1</math> 32-bit data Selectable from the following two polynomials <math>X^{32} + X^{26} + X^{23} + X^{22} + X^{16} + X^{12} + X^{11} + X^{10} + X^8 + X^7 + X^5 + X^4 + X^2 + X + 1</math>, <math>X^{32} + X^{28} + X^{27} + X^{26} + X^{25} + X^{23} + X^{22} + X^{20} + X^{19} + X^{18} + X^{14} + X^{13} + X^{11} + X^{10} + X^9 + X^8 + X^6 + 1</math></li> <li>• Generation of CRC codes for use with LSB-first or MSB-first communications is selectable</li> </ul>
	Main clock oscillation stop detection	<ul style="list-style-type: none"> <li>• Main clock oscillation stop detection: Available</li> </ul>
	Clock frequency accuracy measurement circuit (CAC)	<ul style="list-style-type: none"> <li>• Monitors the clock output from the main clock oscillator, sub-clock oscillator, low- and high-speed on-chip oscillators, IWDG-dedicated on-chip oscillator, and PCLKB, and generates interrupts when the setting range is exceeded.</li> </ul>
	Data operation circuit (DOCA)	<ul style="list-style-type: none"> <li>• This handles the comparison, addition, subtraction, comparison in terms of which is larger or smaller, or window comparison of 32-bit values.</li> </ul>

**Table 1.1 Outline of Specifications (10/10)**

Classification	Module/Function	Description
Encryption function	Trusted Secure IP (TSIP)*2	<ul style="list-style-type: none"> <li>Access management circuit</li> <li>Encryption engine               <ul style="list-style-type: none"> <li>Common key encryption: AES (compliant with NIST FIPS PUB 197), TDES, ARC4</li> <li>Public key encryption: RSA, ECC</li> <li>Hash functions: SHA1, SHA224, SHA256, MD5, GHASH</li> </ul> </li> <li>Other features               <ul style="list-style-type: none"> <li>TRNG (true-random number generator)</li> <li>Prevention from illicit copying of a key</li> </ul> </li> </ul>
Operating frequency		Up to 120 MHz
Power supply voltage		VCC = AVCC0 = AVCC1 = VCC_USB = 2.7 to 3.6 V, $2.7 \leq VREFH0 \leq AVCC0$ , V <sub>BATT</sub> = 1.62*3 to 3.6 V
Operating temperature		D-version: -40 to +85°C G-version: -40 to +105°C
Package		145-pin TFLGA (PTLG0145JC-A) 145-pin TFLGA (PTLG0145KB-A) 144-pin LFQFP (PLQP0144KA-B) 100-pin TFLGA (PTLG0100JB-A) 100-pin LFQFP (PLQP0100KB-B) 64-pin TFBGA (PTBG0064KB-A) 64-pin LFQFP (PLQP0064KB-C) 48-pin HWQFN (PWQN0048KC-A)
Debugging interface		JTAG and FINE interfaces

Note 1. When the realtime clock is not used, initialize the registers in the time clock according to description in section 31.6.8, Initialization Procedure When the Realtime Clock is Not to be Used in the User's Manual: Hardware.

Note 2. The product part number differs according to whether or not the MCU includes the encryption function.

Note 3. The low CL crystal unit cannot be used when the V<sub>BATT</sub> voltage is less than 2.0 V.

**Table 1.2 Comparison of Functions for Different Packages (1/2)**

Functions	Products	RX671				
	Package	145-pin TFLGA (0.65-mm pitch)	145-pin TFLGA (0.50-mm pitch) 144-pin LFQFP	100-pin TFLGA 100-pin LFQFP	64-pin TFBGA 64-pin LFQFP	48-pin HWQFN
Code Flash Memory	Code Flash Memory Capacity	1 Mbyte/1.5 Mbytes/2 Mbytes				
	Dual bank function	Available				
	BGO function	Available				
Data Flash Memory		8 Kbytes				
RAM		384 Kbytes				
Standby RAM		4 Kbytes				
External bus	External bus width	16/8 bits			Not available	
	SDRAM area controller	Available		Not available		
DMA	DMA controller	Ch. 0 to 7				
	Data transfer controller	Available				
	EXDMA controller	Ch. 0 and 1			Not available	
Timers	16-bit timer pulse unit	Ch. 0 to 5				
	Multi-function timer pulse unit 3	Ch. 0 to 8				
	Port output enable 3	Available				
	Programmable pulse generator	Ch. 0 and 1			Not available	
	8-bit timers	Ch. 0 to 3				
	Compare match timer	Ch. 0 to 3				
	Compare match timer W	Ch. 0 and 1				
	Realtime clock	Available				Not available
	Watchdog timer	Available				
	Independent watchdog timer	Available				
Communication function	USB 2.0 FS host/function module	Ch. 0 and 1	Ch. 0		Ch. 0*1	Not available
	Serial communications interfaces (SCIk)	Ch. 0 to 9		Ch. 0 to 3, 5, 6, 8 and 9	Ch. 1 to 3, 5, 8 and 9	
	Serial communications interfaces (SCIm)	Ch. 10 and 11				
	Serial communications interfaces (SCIlh)	Ch. 12				
	Serial communications interfaces (RSCI)	Ch. 10 and 11				
	I <sup>2</sup> C bus interfaces (RIIC)	Ch. 0 to 2				Ch. 0 and 2
	Hi-speed I <sup>2</sup> C bus interfaces (RIICHs)	Ch. 0				
	Serial peripheral interface (RSPI)	Ch. 0 to 2			Ch. 0 and 1	
	Serial peripheral interface (RSPIA)	Ch. 0				
	CAN module	Ch. 0 and 1			Not available	
	Quad-SPI memory interface (QSPIX)	Ch. 0				
	SD host interface (SDHI)	Available				
	Serial sound interface (SSIE)	Ch. 0				
	Remote control signal receiver (REMC)	Ch. 0				
Capacitive touch sensing unit (CTSU)	17 channels + 1 channel (TSCAP)				8 channels + 1 channel (TSCAP)	6 channels + 1 channel (TSCAP)
12-bit A/D converter	Unit 0: 8 channels Unit 1: 12 channels		Unit 0: 8 channels Unit 1: 8 channels	Unit 0: 4 channels Unit 1: 6 channels	Unit 0: 4 channels Unit 1: 4 channels	
Temperature sensor	Available					
CRC calculator	Available					
Data operation circuit (DOC)	Available					

**Table 1.2 Comparison of Functions for Different Packages (2/2)**

Functions	Products	RX671				
	Package	145-pin TFLGA (0.65-mm pitch)	145-pin TFLGA (0.50-mm pitch) 144-pin LQFP	100-pin TFLGA 100-pin LQFP	64-pin TFBGA 64-pin LQFP	48-pin HWQFN
Clock frequency accuracy measurement circuit (CAC)	Available					
Trusted Secure IP	Available/Not available					
Event link controller (ELC)	Available					
Battery backup function	Available				Not available	
Backup register	Available					
Off-board programming (parallel programmer mode)	Available			Not available		

Note 1. Only supports the function controller.

## 1.2 List of Products

Table 1.3 is a list of products, and Figure 1.1 shows how to read the product part no.

**Table 1.3 List of Products (1/3)**

Group	Part No.	Package	Code Flash Memory Capacity (byte(s))	RAM Capacity (byte(s))	Data Flash Memory Capacity (byte(s))	Operating Frequency (Max.)	Encryption Module	Operating temperature (°C)
RX671 (D-version)	R5F5671EHDFB	PLQP0144KA-B	2 M	384 K	8 K	120 MHz	Available	-40 to +85
	R5F5671EDDFB	PLQP0144KA-B	2 M	384 K	8 K	120 MHz	Not available	-40 to +85
	R5F5671CHDFB	PLQP0144KA-B	1.5 M	384 K	8 K	120 MHz	Available	-40 to +85
	R5F5671CDDFB	PLQP0144KA-B	1.5 M	384 K	8 K	120 MHz	Not available	-40 to +85
	R5F56719HDFB	PLQP0144KA-B	1 M	384 K	8 K	120 MHz	Available	-40 to +85
	R5F56719DDFB	PLQP0144KA-B	1 M	384 K	8 K	120 MHz	Not available	-40 to +85
	R5F5671EHDFP	PLQP0100KB-B	2 M	384 K	8 K	120 MHz	Available	-40 to +85
	R5F5671EDDFP	PLQP0100KB-B	2 M	384 K	8 K	120 MHz	Not available	-40 to +85
	R5F5671CHDFP	PLQP0100KB-B	1.5 M	384 K	8 K	120 MHz	Available	-40 to +85
	R5F5671CDDFP	PLQP0100KB-B	1.5 M	384 K	8 K	120 MHz	Not available	-40 to +85
	R5F56719HDFP	PLQP0100KB-B	1 M	384 K	8 K	120 MHz	Available	-40 to +85
	R5F56719DDFP	PLQP0100KB-B	1 M	384 K	8 K	120 MHz	Not available	-40 to +85
	R5F5671EHDFM	PLQP0064KB-C	2 M	384 K	8 K	120 MHz	Available	-40 to +85
	R5F5671EDDFM	PLQP0064KB-C	2 M	384 K	8 K	120 MHz	Not available	-40 to +85
	R5F5671CHDFM	PLQP0064KB-C	1.5 M	384 K	8 K	120 MHz	Available	-40 to +85
	R5F5671CDDFM	PLQP0064KB-C	1.5 M	384 K	8 K	120 MHz	Not available	-40 to +85
	R5F56719HDFM	PLQP0064KB-C	1 M	384 K	8 K	120 MHz	Available	-40 to +85
	R5F56719DDFM	PLQP0064KB-C	1 M	384 K	8 K	120 MHz	Not available	-40 to +85
	R5F5671EHDNE	PWQN0048KC-A	2 M	384 K	8 K	120 MHz	Available	-40 to +85
	R5F5671EDDNE	PWQN0048KC-A	2 M	384 K	8 K	120 MHz	Not available	-40 to +85
	R5F5671CHDNE	PWQN0048KC-A	1.5 M	384 K	8 K	120 MHz	Available	-40 to +85
	R5F5671CDDNE	PWQN0048KC-A	1.5 M	384 K	8 K	120 MHz	Not available	-40 to +85
	R5F56719HDNE	PWQN0048KC-A	1 M	384 K	8 K	120 MHz	Available	-40 to +85
	R5F56719DDNE	PWQN0048KC-A	1 M	384 K	8 K	120 MHz	Not available	-40 to +85
	R5F5671EHDBP	PTBG0064KB-A	2 M	384 K	8 K	120 MHz	Available	-40 to +85
	R5F5671EDDBP	PTBG0064KB-A	2 M	384 K	8 K	120 MHz	Not available	-40 to +85
	R5F5671CHDBP	PTBG0064KB-A	1.5 M	384 K	8 K	120 MHz	Available	-40 to +85
	R5F5671CDDBP	PTBG0064KB-A	1.5 M	384 K	8 K	120 MHz	Not available	-40 to +85
	R5F56719HDBP	PTBG0064KB-A	1 M	384 K	8 K	120 MHz	Available	-40 to +85
	R5F56719DDBP	PTBG0064KB-A	1 M	384 K	8 K	120 MHz	Not available	-40 to +85
	R5F5671EHDLE	PTLG0145JC-A	2 M	384 K	8 K	120 MHz	Available	-40 to +85
	R5F5671EDDLE	PTLG0145JC-A	2 M	384 K	8 K	120 MHz	Not available	-40 to +85
R5F5671CHDLE	PTLG0145JC-A	1.5 M	384 K	8 K	120 MHz	Available	-40 to +85	
R5F5671CDDLE	PTLG0145JC-A	1.5 M	384 K	8 K	120 MHz	Not available	-40 to +85	
R5F56719HDLE	PTLG0145JC-A	1 M	384 K	8 K	120 MHz	Available	-40 to +85	
R5F56719DDLE	PTLG0145JC-A	1 M	384 K	8 K	120 MHz	Not available	-40 to +85	

Table 1.3 List of Products (2/3)

Group	Part No.	Package	Code Flash Memory Capacity (byte(s))	RAM Capacity (byte(s))	Data Flash Memory Capacity (byte(s))	Operating Frequency (Max.)	Encryption Module	Operating temperature (°C)
RX671 (D-version)	R5F5671EHDLK	PTLG0145KB-A	2 M	384 K	8 K	120 MHz	Available	-40 to +85
	R5F5671EDDLK	PTLG0145KB-A	2 M	384 K	8 K	120 MHz	Not available	-40 to +85
	R5F5671CHDLK	PTLG0145KB-A	1.5 M	384 K	8 K	120 MHz	Available	-40 to +85
	R5F5671CDDLK	PTLG0145KB-A	1.5 M	384 K	8 K	120 MHz	Not available	-40 to +85
	R5F56719HDLK	PTLG0145KB-A	1 M	384 K	8 K	120 MHz	Available	-40 to +85
	R5F56719DDLK	PTLG0145KB-A	1 M	384 K	8 K	120 MHz	Not available	-40 to +85
	R5F5671EHD LJ	PTLG0100JB-A	2 M	384 K	8 K	120 MHz	Available	-40 to +85
	R5F5671EDDLJ	PTLG0100JB-A	2 M	384 K	8 K	120 MHz	Not available	-40 to +85
	R5F5671CHDLJ	PTLG0100JB-A	1.5 M	384 K	8 K	120 MHz	Available	-40 to +85
	R5F5671CDDLJ	PTLG0100JB-A	1.5 M	384 K	8 K	120 MHz	Not available	-40 to +85
	R5F56719HDLJ	PTLG0100JB-A	1 M	384 K	8 K	120 MHz	Available	-40 to +85
	R5F56719DDLJ	PTLG0100JB-A	1 M	384 K	8 K	120 MHz	Not available	-40 to +85
RX671 (G-version)	R5F5671EHGFB	PLQP0144KA-B	2 M	384 K	8 K	120 MHz	Available	-40 to +105
	R5F5671EDGFB	PLQP0144KA-B	2 M	384 K	8 K	120 MHz	Not available	-40 to +105
	R5F5671CHGFB	PLQP0144KA-B	1.5 M	384 K	8 K	120 MHz	Available	-40 to +105
	R5F5671CDGFB	PLQP0144KA-B	1.5 M	384 K	8 K	120 MHz	Not available	-40 to +105
	R5F56719HGFB	PLQP0144KA-B	1 M	384 K	8 K	120 MHz	Available	-40 to +105
	R5F56719DGF B	PLQP0144KA-B	1 M	384 K	8 K	120 MHz	Not available	-40 to +105
	R5F5671EHGFP	PLQP0100KB-B	2 M	384 K	8 K	120 MHz	Available	-40 to +105
	R5F5671EDGFP	PLQP0100KB-B	2 M	384 K	8 K	120 MHz	Not available	-40 to +105
	R5F5671CHGFP	PLQP0100KB-B	1.5 M	384 K	8 K	120 MHz	Available	-40 to +105
	R5F5671CDGFP	PLQP0100KB-B	1.5 M	384 K	8 K	120 MHz	Not available	-40 to +105
	R5F56719HGFP	PLQP0100KB-B	1 M	384 K	8 K	120 MHz	Available	-40 to +105
	R5F56719DGF P	PLQP0100KB-B	1 M	384 K	8 K	120 MHz	Not available	-40 to +105
	R5F5671EHGFM	PLQP0064KB-C	2 M	384 K	8 K	120 MHz	Available	-40 to +105
	R5F5671EDGFM	PLQP0064KB-C	2 M	384 K	8 K	120 MHz	Not available	-40 to +105
	R5F5671CHGFM	PLQP0064KB-C	1.5 M	384 K	8 K	120 MHz	Available	-40 to +105
	R5F5671CDGFM	PLQP0064KB-C	1.5 M	384 K	8 K	120 MHz	Not available	-40 to +105
	R5F56719HGFM	PLQP0064KB-C	1 M	384 K	8 K	120 MHz	Available	-40 to +105
	R5F56719DGF M	PLQP0064KB-C	1 M	384 K	8 K	120 MHz	Not available	-40 to +105
	R5F5671EHGNE	PWQN0048KC-A	2 M	384 K	8 K	120 MHz	Available	-40 to +105
	R5F5671EDGNE	PWQN0048KC-A	2 M	384 K	8 K	120 MHz	Not available	-40 to +105
	R5F5671CHGNE	PWQN0048KC-A	1.5 M	384 K	8 K	120 MHz	Available	-40 to +105
	R5F5671CDGNE	PWQN0048KC-A	1.5 M	384 K	8 K	120 MHz	Not available	-40 to +105
	R5F56719HGNE	PWQN0048KC-A	1 M	384 K	8 K	120 MHz	Available	-40 to +105
	R5F56719DGF NE	PWQN0048KC-A	1 M	384 K	8 K	120 MHz	Not available	-40 to +105
	R5F5671EHGBP	PTBG0064KB-A	2 M	384 K	8 K	120 MHz	Available	-40 to +105
	R5F5671EDGBP	PTBG0064KB-A	2 M	384 K	8 K	120 MHz	Not available	-40 to +105
	R5F5671CHGBP	PTBG0064KB-A	1.5 M	384 K	8 K	120 MHz	Available	-40 to +105
	R5F5671CDGBP	PTBG0064KB-A	1.5 M	384 K	8 K	120 MHz	Not available	-40 to +105



**Table 1.3 List of Products (3/3)**

Group	Part No.	Package	Code Flash Memory Capacity (byte(s))	RAM Capacity (byte(s))	Data Flash Memory Capacity (byte(s))	Operating Frequency (Max.)	Encryption Module	Operating temperature (°C)
RX671 (G-version)	R5F56719HGBP	PTBG0064KB-A	1 M	384 K	8 K	120 MHz	Available	-40 to +105
	R5F56719DGBP	PTBG0064KB-A	1 M	384 K	8 K	120 MHz	Not available	-40 to +105
	R5F5671EHGLE	PTLG0145JC-A	2 M	384 K	8 K	120 MHz	Available	-40 to +105
	R5F5671EDGLE	PTLG0145JC-A	2 M	384 K	8 K	120 MHz	Not available	-40 to +105
	R5F5671CHGLE	PTLG0145JC-A	1.5 M	384 K	8 K	120 MHz	Available	-40 to +105
	R5F5671CDGLE	PTLG0145JC-A	1.5 M	384 K	8 K	120 MHz	Not available	-40 to +105
	R5F56719HGLE	PTLG0145JC-A	1 M	384 K	8 K	120 MHz	Available	-40 to +105
	R5F56719DGLE	PTLG0145JC-A	1 M	384 K	8 K	120 MHz	Not available	-40 to +105
	R5F5671EHGLK	PTLG0145KB-A	2 M	384 K	8 K	120 MHz	Available	-40 to +105
	R5F5671EDGLK	PTLG0145KB-A	2 M	384 K	8 K	120 MHz	Not available	-40 to +105
	R5F5671CHGLK	PTLG0145KB-A	1.5 M	384 K	8 K	120 MHz	Available	-40 to +105
	R5F5671CDGLK	PTLG0145KB-A	1.5 M	384 K	8 K	120 MHz	Not available	-40 to +105
	R5F56719HGLK	PTLG0145KB-A	1 M	384 K	8 K	120 MHz	Available	-40 to +105
	R5F56719DGLK	PTLG0145KB-A	1 M	384 K	8 K	120 MHz	Not available	-40 to +105
	R5F5671EHGLJ	PTLG0100JB-A	2 M	384 K	8 K	120 MHz	Available	-40 to +105
	R5F5671EDGLJ	PTLG0100JB-A	2 M	384 K	8 K	120 MHz	Not available	-40 to +105
	R5F5671CHGLJ	PTLG0100JB-A	1.5 M	384 K	8 K	120 MHz	Available	-40 to +105
	R5F5671CDGLJ	PTLG0100JB-A	1.5 M	384 K	8 K	120 MHz	Not available	-40 to +105
	R5F56719HGLJ	PTLG0100JB-A	1 M	384 K	8 K	120 MHz	Available	-40 to +105
	R5F56719DGLJ	PTLG0100JB-A	1 M	384 K	8 K	120 MHz	Not available	-40 to +105

Note: Visit the Renesas Electronics Web site to check and obtain the ordering part numbers.

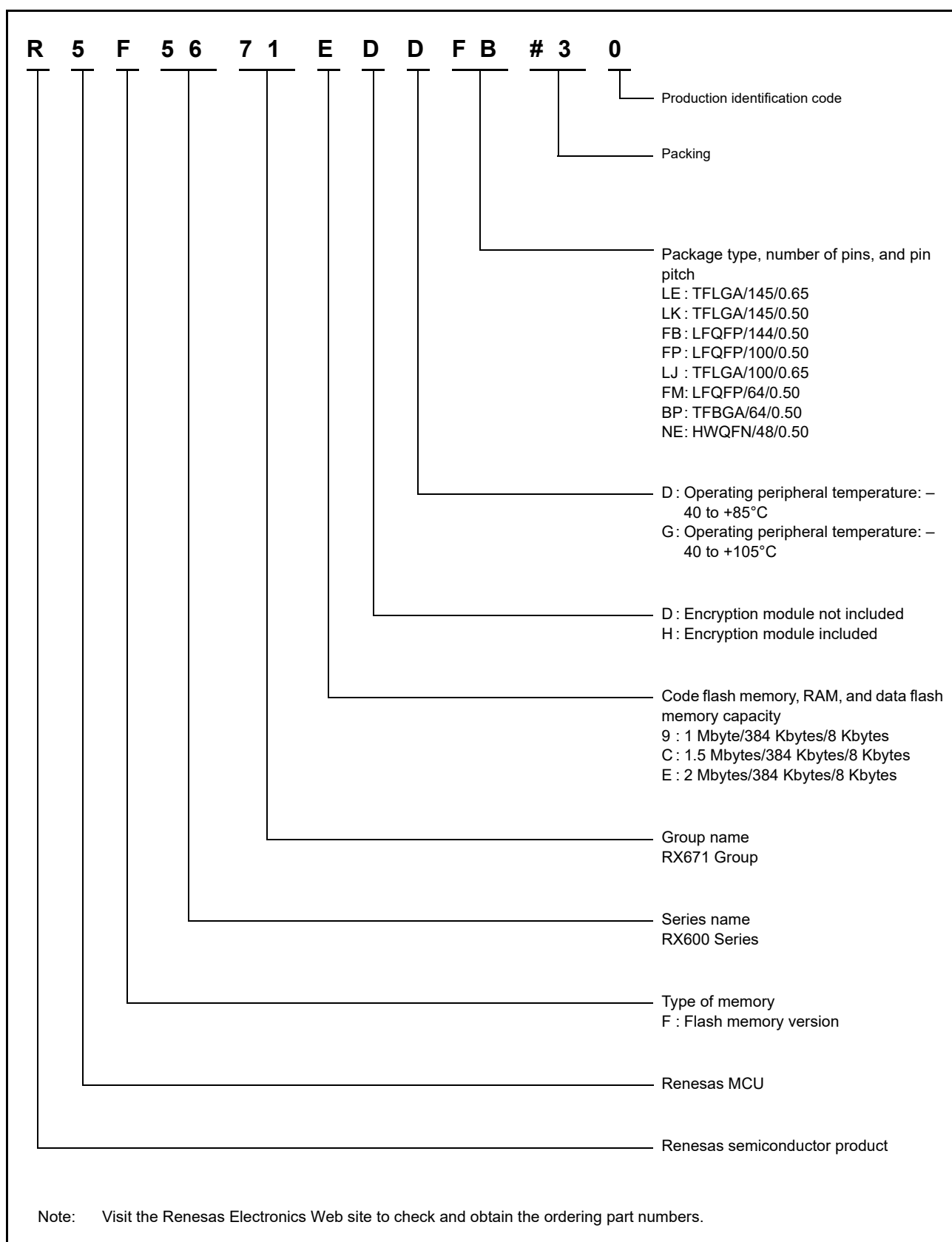


Figure 1.1 How to Read the Product Part Number

### 1.3 Block Diagram

Figure 1.2 shows a block diagram.

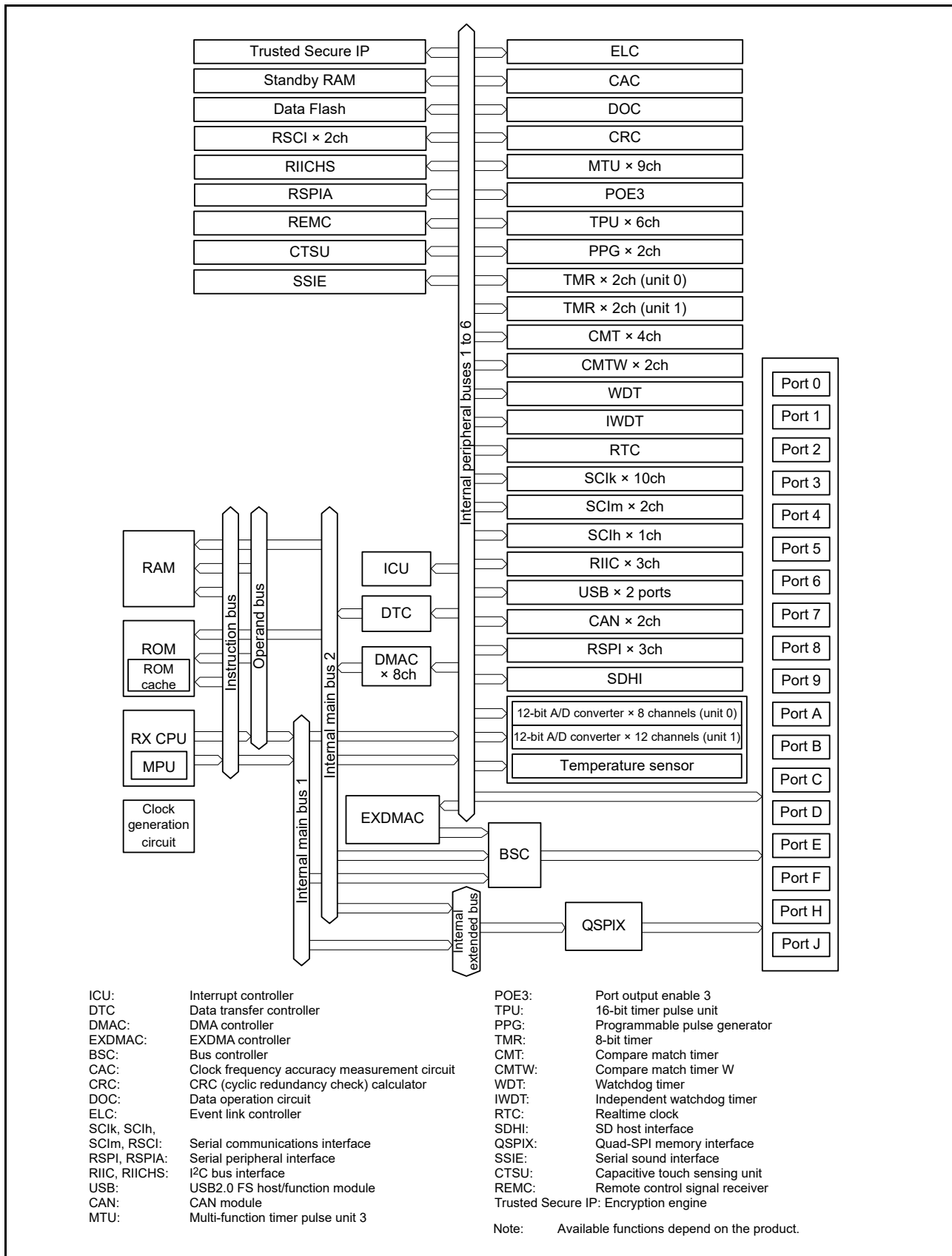


Figure 1.2 Block Diagram

## 1.4 Pin Functions

Table 1.4 lists the pin functions.

**Table 1.4 Pin Functions (1/8)**

Classifications	Pin Name	I/O	Description
Digital power supply	VCC	Input	Power supply pin. Connect this pin to the system power supply. Connect the pin to VSS via a 0.1- $\mu$ F multilayer ceramic capacitor. The capacitor should be placed close to the pin.
	VCL	Input	Connect this pin to VSS via a 0.22- $\mu$ F multilayer ceramic capacitor. The capacitor should be placed close to the pin.
	VSS	Input	Ground pin. Connect it to the system power supply (0 V).
	VBATT	Input	Backup power pin
Clock	XTAL	Output	Pins for a crystal resonator. An external clock signal can be input through the EXTAL pin.
	EXTAL	Input	
	BCLK	Output	Outputs the external bus clock for external devices.
	SDCLK	Output	Outputs the SDRAM-dedicated clock.
	XCOUT	Output	Input/output pins for the sub clock oscillator. Connect a crystal resonator between XCOUT and XCIN.
	XCIN	Input	
	CLKOUT	Output	Clock output pin.
	EXCIN	Input	External clock input pin for the RTC, battery backup, and REMC
Clock frequency accuracy measurement	CACREF	Input	Reference clock input pin for the clock frequency accuracy measurement circuit
Operating mode control	MD	Input	Pin for setting the operating mode. The signal level on this pin must not be changed during operation.
	UB	Input	USB boot mode enable pin
	UPSEL	Input	Selects the power supply method in USB boot mode. The low level selects self-powered mode and the high level selects bus-powered mode.
System control	RES#	Input	Reset signal input pin. This LSI enters the reset state when this signal goes low.
	EMLE	Input	Input pin for the on-chip emulator enable signal. When the on-chip emulator is used, this pin should be driven high. When not used, it should be driven low.
	BSCANP	Input	Boundary scan enable pin. Boundary scan is enabled when this pin goes high. When not used, it should be driven low.
On-chip emulator	FINED	I/O	Fine interface pin
	TRST#	Input	On-chip emulator or boundary scan pins. When the EMLE pin is driven high, these pins are dedicated for the on-chip emulator.
	TMS	Input	
	TDI	Input	
	TCK	Input	
	TDO	Output	
	TRCLK	Output	This pin outputs the clock for synchronization with the trace data.
	TRSYNC TRSYNC1	Output	These pins indicate that output from the TRDATA0 to TRDATA7 pins is valid.
	TRDATA0 TRDATA1 TRDATA2 TRDATA3 TRDATA4 TRDATA5 TRDATA6 TRDATA7	Output	These pins output the trace information.

**Table 1.4 Pin Functions (2/8)**

Classifications	Pin Name	I/O	Description
Address bus	A0 to A23	Output	Output pins for the address
Data bus	D0 to D15	I/O	Input and output pins for the bidirectional data bus
Multiplexed bus	A0/D0 to A15/D15	I/O	Address/data multiplexed bus
Bus control	RD#	Output	Strobe signal which indicates that reading from the external bus interface space is in progress
	WR#	Output	Strobe signal which indicates that writing to the external bus interface space is in progress, in 1-write strobe mode
	WR0#, WR1#	Output	Strobe signals which indicate that either group of data bus pins (D7 to D0 and D15 to D8) is valid in writing to the external bus interface space, in byte strobe mode
	BC0#, BC1#	Output	Strobe signals which indicate that either group of data bus pins (D7 to D0 and D15 to D8) is valid in access to the external bus interface space, in 1-write strobe mode
	ALE	Output	Address latch signal when address/data multiplexed bus is selected
	WAIT#	Input	Input pin for wait request signals in access to the external space
	CS0# to CS7#	Output	Select signals for CS areas
SDRAM interface	CKE	Output	SDRAM clock enable signal
	SDCS#	Output	SDRAM chip select signal
	RAS#	Output	SDRAM row address strobe signal
	CAS#	Output	SDRAM column address strobe signal
	WE#	Output	SDRAM write enable pin
	DQM0, DQM1	Output	SDRAM I/O data mask enable signals
EXDMA controller	EDREQ0, EDREQ1	Input	External DMA transfer request pins
	EDACK0, EDACK1	Output	Single address transfer acknowledge signals
Interrupt	NMI	Input	Non-maskable interrupt request pin
	IRQ0 to IRQ15, IRQ0-DS to IRQ15-DS	Input	Maskable interrupt request pins
Multi-function timer pulse unit 3	MTIOC0A, MTIOC0B, MTIOC0C, MTIOC0D	I/O	The TGRA0 to TGRD0 input capture input/output compare output/PWM output pins
	MTIOC1A, MTIOC1B	I/O	The TGRA1 and TGRB1 input capture input/output compare output/PWM output pins
	MTIOC2A, MTIOC2B	I/O	The TGRA2 and TGRB2 input capture input/output compare output/PWM output pins
	MTIOC3A, MTIOC3B, MTIOC3C, MTIOC3D	I/O	The TGRA3 to TGRD3 input capture input/output compare output/PWM output pins
	MTIOC4A, MTIOC4B, MTIOC4C, MTIOC4D	I/O	The TGRA4 to TGRD4 input capture input/output compare output/PWM output pins
	MTIC5U, MTIC5V, MTIC5W	Input	The TGRU5, TGRV5, and TGRW5 input capture input/dead time compensation input pins
	MTIOC6A, MTIOC6B, MTIOC6C, MTIOC6D	I/O	The TGRA6 to TGRD6 input capture input/output compare output/PWM output pins
	MTIOC7A, MTIOC7B, MTIOC7C, MTIOC7D	I/O	The TGRA7 to TGRD7 input capture input/output compare output/PWM output pins
	MTIOC8A, MTIOC8B, MTIOC8C, MTIOC8D	I/O	The TGRA8 to TGRD8 input capture input/output compare output/PWM output pins
	MTCLKA, MTCLKB, MTCLKC, MTCLKD	Input	Input pins for external clock signals or for phase counting mode clock signals
Port output enable 3	POE0#, POE4#, POE8#, POE10#, POE11#	Input	Input pins for request signals to place the MTU in the high impedance state

**Table 1.4 Pin Functions (3/8)**

Classifications	Pin Name	I/O	Description
16-bit timer pulse unit	TIOCA0, TIOCB0, TIOCC0, TIOCD0	I/O	The TGRA0 to TGRD0 input capture input/output compare output/PWM output pins
	TIOCA1, TIOCB1	I/O	The TGRA1 and TGRB1 input capture input/output compare output/PWM output pins
	TIOCA2, TIOCB2	I/O	The TGRA2 and TGRB2 input capture input/output compare output/PWM output pins
	TIOCA3, TIOCB3, TIOCC3, TIOCD3	I/O	The TGRA3 to TGRD3 input capture input/output compare output/PWM output pins
	TIOCA4, TIOCB4	I/O	The TGRA4 and TGRB4 input capture input/output compare output/PWM output pins
	TIOCA5, TIOCB5	I/O	The TGRA5 and TGRB5 input capture input/output compare output/PWM output pins
	TCLKA, TCLKB, TCLKC, TCLKD	Input	Input pins for external clock signals or for phase counting mode clock signals
Programmable pulse generator	PO0 to PO31	Output	Output pins for the pulse signals
8-bit timer	TMO0 to TMO3	Output	Compare match output pins
	TMCI0 to TMCI3	Input	Input pins for external clocks to be input to the counter
	TMRI0 to TMRI3	Input	Input pins for the counter reset
Compare match timer W	TIC0 to TIC3	Input	Input pins for CMTW
	TOC0 to TOC3	Output	Output pins for CMTW
Serial communications interface (SClk)	• Asynchronous mode/clock synchronous mode		
	SCK0 to SCK9	I/O	Input/output pins for the clock
	RXD0 to RXD9	Input	Input pins for received data
	TXD0 to TXD9	Output	Output pins for transmitted data
	CTS0# to CTS9#	Input	Input pins for controlling the start of transmission and reception
	RTS0# to RTS9#	Output	Output pins for controlling the start of transmission and reception
	• Simple I <sup>2</sup> C mode		
	SSCL0 to SSCL9	I/O	Input/output pins for the I <sup>2</sup> C clock
	SSDA0 to SSDA9	I/O	Input/output pins for the I <sup>2</sup> C data
	• Simple SPI mode		
	SCK0 to SCK9	I/O	Input/output pins for the clock
	SMISO0 to SMISO9	I/O	Input/output pins for slave transmission of data
	SMOSI0 to SMOSI9	I/O	Input/output pins for master transmission of data
	SS0# to SS9#	Input	Chip-select input pins

**Table 1.4 Pin Functions (4/8)**

Classifications	Pin Name	I/O	Description	
Serial communications interface (SCIh)	• Asynchronous mode/clock synchronous mode			
	SCK12	I/O	Input/output pin for the clock	
	RXD12	Input	Input pin for received data	
	TXD12	Output	Output pin for transmitted data	
	CTS12#	Input	Input pin for controlling the start of transmission and reception	
	RTS12#	Output	Output pin for controlling the start of transmission and reception	
	• Simple I <sup>2</sup> C mode			
	SSCL12	I/O	Input/output pin for the I <sup>2</sup> C clock	
	SSDA12	I/O	Input/output pin for the I <sup>2</sup> C data	
	• Simple SPI mode			
	SCK12	I/O	Input/output pin for the clock	
	SMISO12	I/O	Input/output pin for slave transmission of data	
	SMOSI12	I/O	Input/output pin for master transmission of data	
	SS12#	Input	Chip-select input pin	
	• Extended serial mode			
	RDX12	Input	Input pin for received data	
	TXDX12	Output	Output pin for transmitted data	
	SIOX12	I/O	Input/output pin for received or transmitted data	
	Serial communications interface (SCIm)	• Asynchronous mode/clock synchronous mode		
		SCK10, SCK11	I/O	Input/output pins for the clock
		RXD10, RXD11	Input	Input pins for received data
		TXD10, TXD11	Output	Output pins for transmitted data
		CTS10#, CTS11#	Input	Input pins for controlling the start of transmission and reception
RTS10#, RTS11#		Output	Output pins for controlling the start of transmission and reception	
• Simple I <sup>2</sup> C mode				
SSCL10, SSCL11		I/O	Input/output pins for the I <sup>2</sup> C clock	
SSDA10, SSDA11		I/O	Input/output pins for the I <sup>2</sup> C data	
• Simple SPI mode				
SCK10, SCK11		I/O	Input/output pins for the clock	
SMISO10, SMISO11		I/O	Input/output pins for slave transmission of data	
SMOSI10, SMOSI11		I/O	Input/output pins for master transmission of data	
SS10#, SS11#		Input	Chip-select input pins	



**Table 1.4 Pin Functions (5/8)**

Classifications	Pin Name	I/O	Description	
Serial communications interface (RSCI)	• Asynchronous mode/clock synchronous mode			
	SCK010, SCK011	I/O	Input/output pins for the clock	
	RXD010, RXD011	Input	Input pins for received data	
	TXD010, TXD011	Output	Output pins for transmitted data	
	CTS010#, CTS011#	Input	Input pins for controlling the start of transmission and reception	
	RTS010#, RTS011#	Output	Output pins for controlling the start of transmission and reception	
	DE010, DE011	Output	DriveEnable output pins	
	• Simple I <sup>2</sup> C mode			
	SSCL010, SSCL011	I/O	Input/output pins for the I <sup>2</sup> C clock	
	SSDA010, SSDA011	I/O	Input/output pins for the I <sup>2</sup> C data	
	• Simple SPI mode			
	SCK010, SCK011	I/O	Input/output pins for the clock	
	SMISO010, SMISO011	I/O	Input/output pins for slave transmission of data	
	SMOSI010, SMOSI011	I/O	Input/output pins for master transmission of data	
	SS010#, SS011#	Input	Chip-select input pins	
	• HBS support mode			
	RXD010, RXD011	Input	Input pin for received data	
	TXD010, TXD011, TXDA011, TXDB011	Output	Output pins for transmitted data	
	I <sup>2</sup> C bus interface	SCL0[FM+], SCL1, SCL2, SCL2-DS	I/O	Input/output pins for clocks. Bus can be directly driven by the N-channel open drain
		SDA0[FM+], SDA1, SDA2, SDA2-DS	I/O	Input/output pins for data. Bus can be directly driven by the N-channel open drain
Hi-speed I <sup>2</sup> C bus interface (RIICHS)	SCLHS0[FM+/HS]	I/O	Input/output pin for clocks. Bus can be directly driven by the N-channel open drain	
	SDAHS0[FM+/HS]	I/O	Input/output pin for data. Bus can be directly driven by the N-channel open drain	
USB 2.0 host/function module	VCC_USB	Input	Power supply pin	
	VSS_USB	Input	Ground pin	
	USB0_DP, USB1_DP	I/O	Input or output USB transceiver D+ data.	
	USB0_DM, USB1_DM	I/O	Input or output USB transceiver D- data.	
	USB0_EXICEN, USB1_EXICEN	Output	Connect to the OTG power IC.	
	USB0_ID, USB1_ID	Input	Connect to the OTG power IC.	
	USB0_VBUSEN, USB1_VBUSEN	Output	USB VBUS power enable pins	
	USB0_OVRCURA/USB0_OVRCURB, USB1_OVRCURA/USB1_OVRCURB	Input	USB overcurrent pins	
USB0_VBUS, USB1_VBUS	Input	USB cable connection/disconnection detection input pins		
CAN module	CRX0, CRX1, CRX1-DS	Input	Input pins	
	CTX0, CTX1	Output	Output pins	

**Table 1.4 Pin Functions (6/8)**

Classifications	Pin Name	I/O	Description
Serial peripheral interface	RSPCKA-A/RSPCKA-B/ RSPCKB-A/RSPCKB-B/ RSPCKC-A/RSPCKC-B	I/O	Clock input/output pins
	MOSIA-A/MOSIA-B/ MOSIB-A/MOSIB-B/ MOSIC-A/MOSIC-B	I/O	Input or output data output from the master
	MISOA-A/MISOA-B/ MISOB-A/MISOB-B/ MISOC-A/MISOC-B	I/O	Input or output data output from the slave
	SSLA0-A/SSLA0-B/ SSLB0-A/SSLB0-B/ SSLC0-A	I/O	Input or output pins for slave selection
	SSLA1-A/SSLA1-B/ SSLB1-A/SSLB1-B/ SSLC1-A, SSLA2-A/SSLA2-B/ SSLB2-A/SSLB2-B/ SSLC2-A, SSLA3-A/SSLA3-B/ SSLB3-A/SSLB3-B/ SSLC3-A	Output	Output pins for slave selection
Serial peripheral interface (RSPiA)	RSPCK0-A/RSPCK0-B	I/O	Clock input/output pins
	MOSI0-A/MOSI0-B	I/O	Input or output data output from the master
	MISO0-A/MISO0-B	I/O	Input or output data output from the slave
	SSL00-A/SSL00-B	I/O	Input or output pins for slave selection
	SSL01-A/SSL01-B, SSL02-A/SSL02-B, SSL03-A/SSL03-B	Output	Output pins for slave selection
Quad-SPI memory interface	QSPCLK-A/QSPCLK-B	Output	Clock output pins
	QSSL-A/QSSL-B	Output	Output pins for slave selection
	QIO0-A/QIO0-B, QIO1-A/QIO1-B, QIO2-A/QIO2-B, QIO3-A/QIO3-B	I/O	Data input/output pins
Serial sound interface	SSIBCK0	I/O	SSIE serial bit-clock pin
	SSILRCK0	I/O	LR clock
	SSITXD0	Output	Serial data output pin
	SSIRXD0	Input	Serial data input pin
	AUDIO_CLK	Input	External clock pin for audio (input for an oversampling clock)
SD host interface	SDHI_CLK-A/SDHI_CLK-B/ SDHI_CLK-C	Output	SD clock output pins
	SDHI_CMD-A/SDHI_CMD-B/ SDHI_CMD-C	I/O	SD command output, response input signal pins
	SDHI_D3-A/SDHI_D3-B/ SDHI_D3-C to SDHI_D0-A/ SDHI_D0-B/SDHI_D0-C	I/O	SD data bus pins
	SDHI_CD	Input	SD card detection pin
	SDHI_WP	Input	SD write-protect signal
	Realtime clock	RTCOUT	Output
RTCIC0 to RTCIC2		Input	Time capture event input pins
Battery backup	TAMPI0 to TAMPI2	Input	Input pins for detecting tampering
Remote control signal receiver (REMC)	PMC0-DS	Input	Input pin for external pulse signal

**Table 1.4 Pin Functions (7/8)**

Classifications	Pin Name	I/O	Description
12-bit A/D converter	AN000 to AN007, AN100 to AN111	Input	Input pins for the analog signals to be processed by the A/D converter
	ADTRG0#, ADTRG1#	Input	Input pins for the external trigger signals that start the A/D conversion
	ANEX0	Output	Extended analog output pin
	ANEX1	Input	Extended analog input pin
Capacitive touch sensing unit (CTSU)	TS0 to TS16	I/O	Electrostatic capacitance measurement pins (touch pins).
	TSCAP	—	Connect to the VSS via a decoupling capacitor (10 nF) for stabilizing the internal voltage. The capacitor should be placed close to the pin.
Analog power supply	AVCC0*1	Input	Analog voltage supply pin for the 12-bit A/D converter (unit 0). Connect this pin to a branch from the VCC power supply. Connect the pin to AVSS0 via a 0.1- $\mu$ F multilayer ceramic capacitor. The capacitor should be placed close to the pin.
	AVSS0*1	Input	Analog ground pin for the 12-bit A/D converter (unit 0). Connect this pin to a branch from the VSS ground power supply. Connect the pin to AVCC0 via a 0.1- $\mu$ F multilayer ceramic capacitor. The capacitor should be placed close to the pin.
	VREFH0	Input	Analog reference voltage supply pin for the 12-bit A/D converter (unit 0). Connect this pin to VCC if the 12-bit A/D converter is not to be used.
	VREFL0	Input	Analog reference ground pin for the 12-bit A/D converter (unit 0). Connect this pin to VSS if the 12-bit A/D converter is not to be used.
	AVCC1*1	Input	Analog voltage supply and reference voltage supply pin for the 12-bit A/D converter (unit 1). This pin also supplies the analog voltage to the temperature sensor. Connect this pin to a branch from the VCC power supply. Connect the pin to AVSS1 via a 0.1- $\mu$ F multilayer ceramic capacitor. The capacitor should be placed close to the pin.
	AVSS1*1	Input	Analog voltage supply and reference voltage supply pin for the 12-bit A/D converter (unit 1). This pin also supplies the analog ground voltage to the temperature sensor. Connect this pin to a branch from the VSS ground power supply. Connect the pin to AVCC1 via a 0.1- $\mu$ F multilayer ceramic capacitor. The capacitor should be placed close to the pin.

**Table 1.4 Pin Functions (8/8)**

Classifications	Pin Name	I/O	Description
I/O ports	P00 to P03, P05, P07	I/O	6-bit input/output pins
	P12 to P17	I/O	6-bit input/output pins
	P20 to P27	I/O	8-bit input/output pins
	P30 to P37	I/O	8-bit input/output pins (P35: input pin)
	P40 to P47	I/O	8-bit input/output pins
	P50 to P56	I/O	7-bit input/output pins
	P60 to P67	I/O	8-bit input/output pins
	P70 to P77	I/O	8-bit input/output pins
	P80 to P83, P86, P87	I/O	6-bit input/output pins
	P90 to P93	I/O	4-bit input/output pins
	PA0 to PA7	I/O	8-bit input/output pins
	PB0 to PB7	I/O	8-bit input/output pins
	PC0 to PC7	I/O	8-bit input/output pins
	PD0 to PD7	I/O	8-bit input/output pins
	PE0 to PE7	I/O	8-bit input/output pins
	PF5	I/O	1-bit input/output pins
	PH1, PH2	I/O	2-bit input/output pins
	PJ3, PJ5	I/O	2-bit input/output pins

Note: Note the following regarding pin names. For details, see section 1.6, List of Pin and Pin Functions.

- When a letter "-A", "-B", etc. to indicate group membership is appended to the pin name, each pin is recommended to use in combination with the pins in the same group.  
All RSPI, RSPIA, QSPIX, SDHI AC timings are measured in combination with the pins in the same group.
- When the pin functions have "-DS" appended to their names, they can also be used as triggers for release from deep software standby.
- RIIC and RIICHS pin functions that have [FM+] appended to their names support fast-mode plus.

Note 1. When neither the 12-bit A/D converter nor temperature sensor is to be used, connect the AVCC0 and AVCC1 pins to VCC, and the AVSS0 and AVSS1 pins to VSS.

1.5 Pin Assignments

1.5.1 145-Pin TFLGA (0.65-mm Pitch)

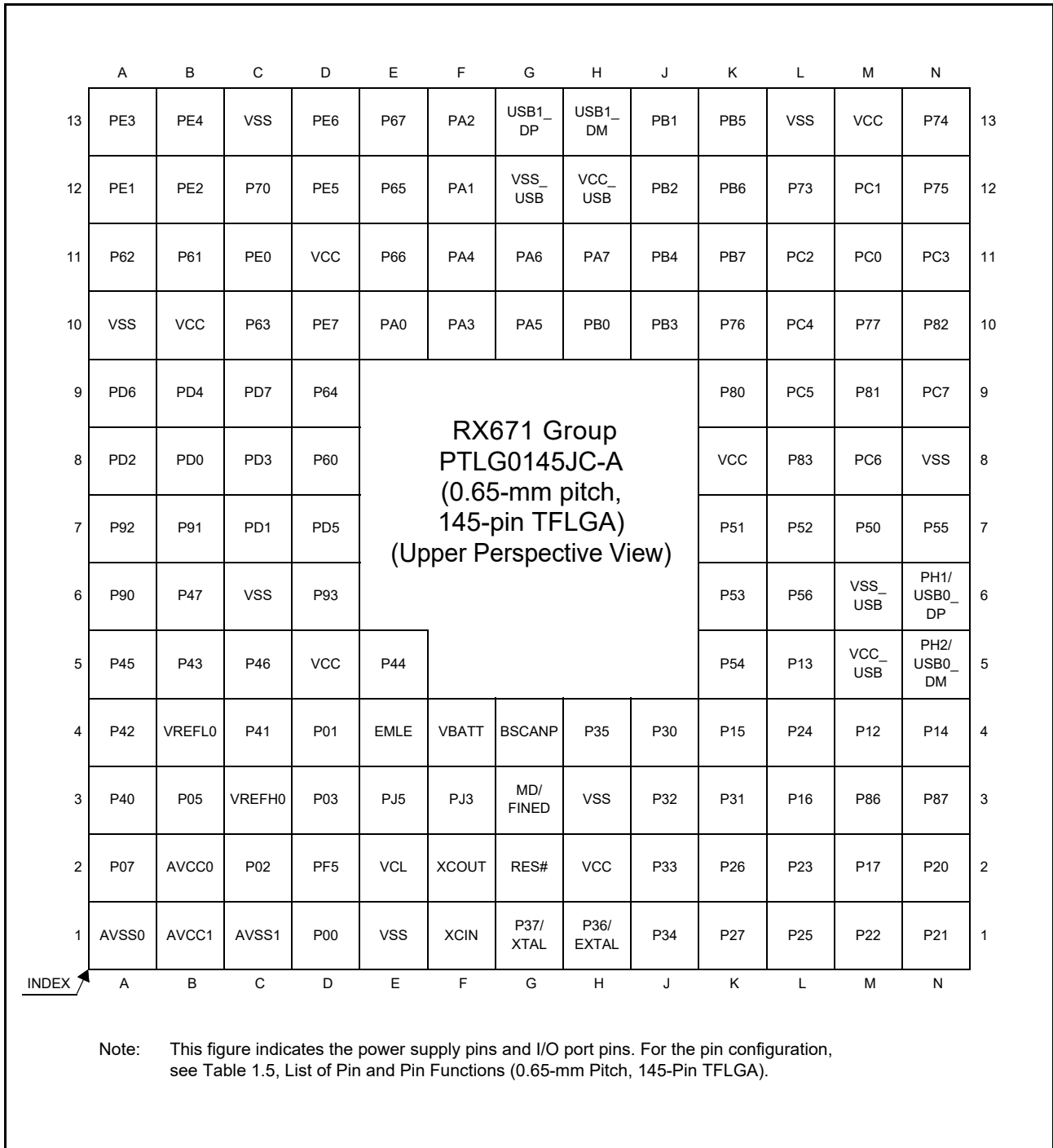


Figure 1.3 Pin Assignment (0.65-mm Pitch, 145-Pin TFLGA)

1.5.2 145-Pin TFLGA (0.50-mm Pitch)

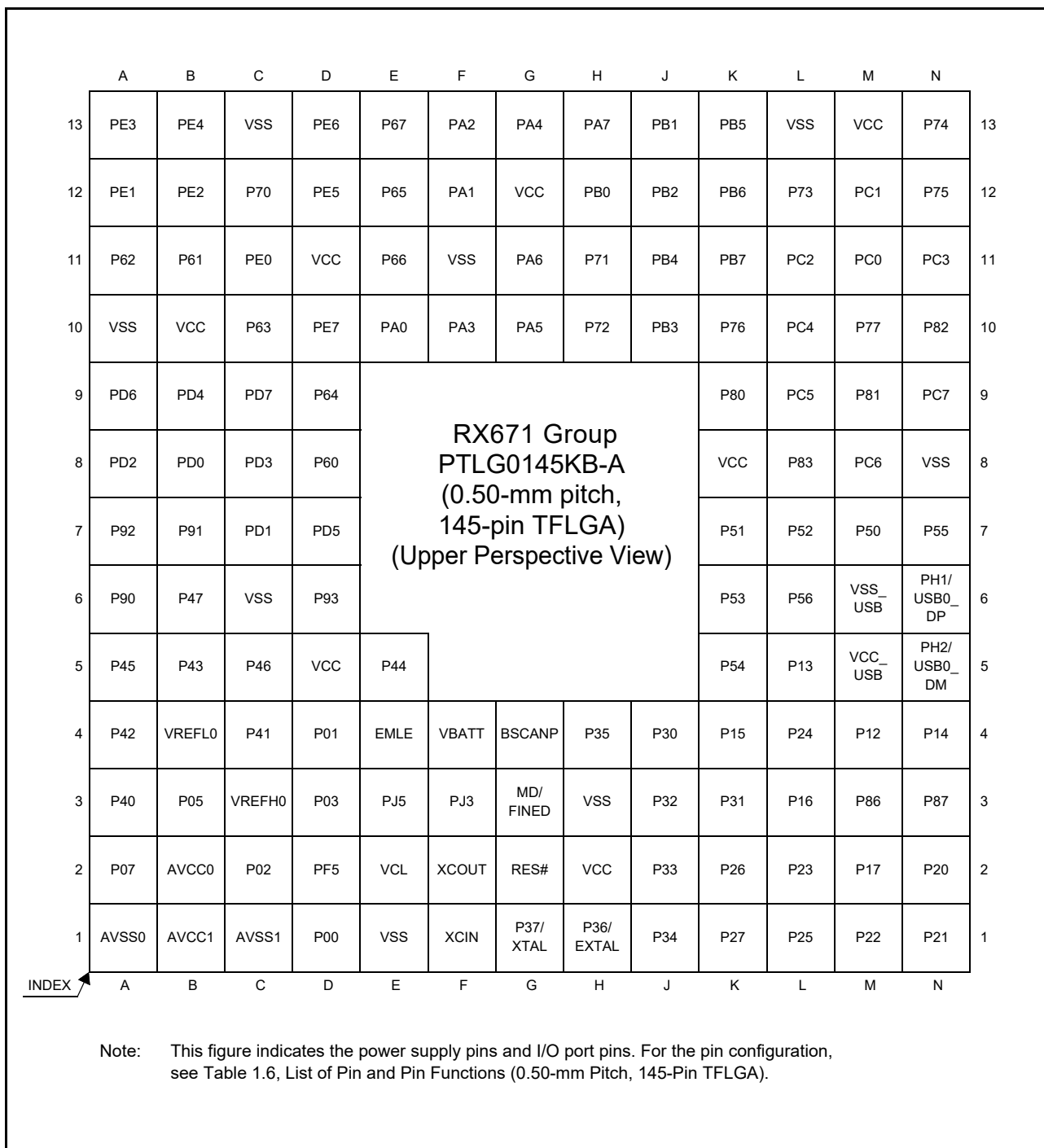


Figure 1.4 Pin Assignment (0.50-mm Pitch, 145-Pin TFLGA)

1.5.3 144-Pin LQFP

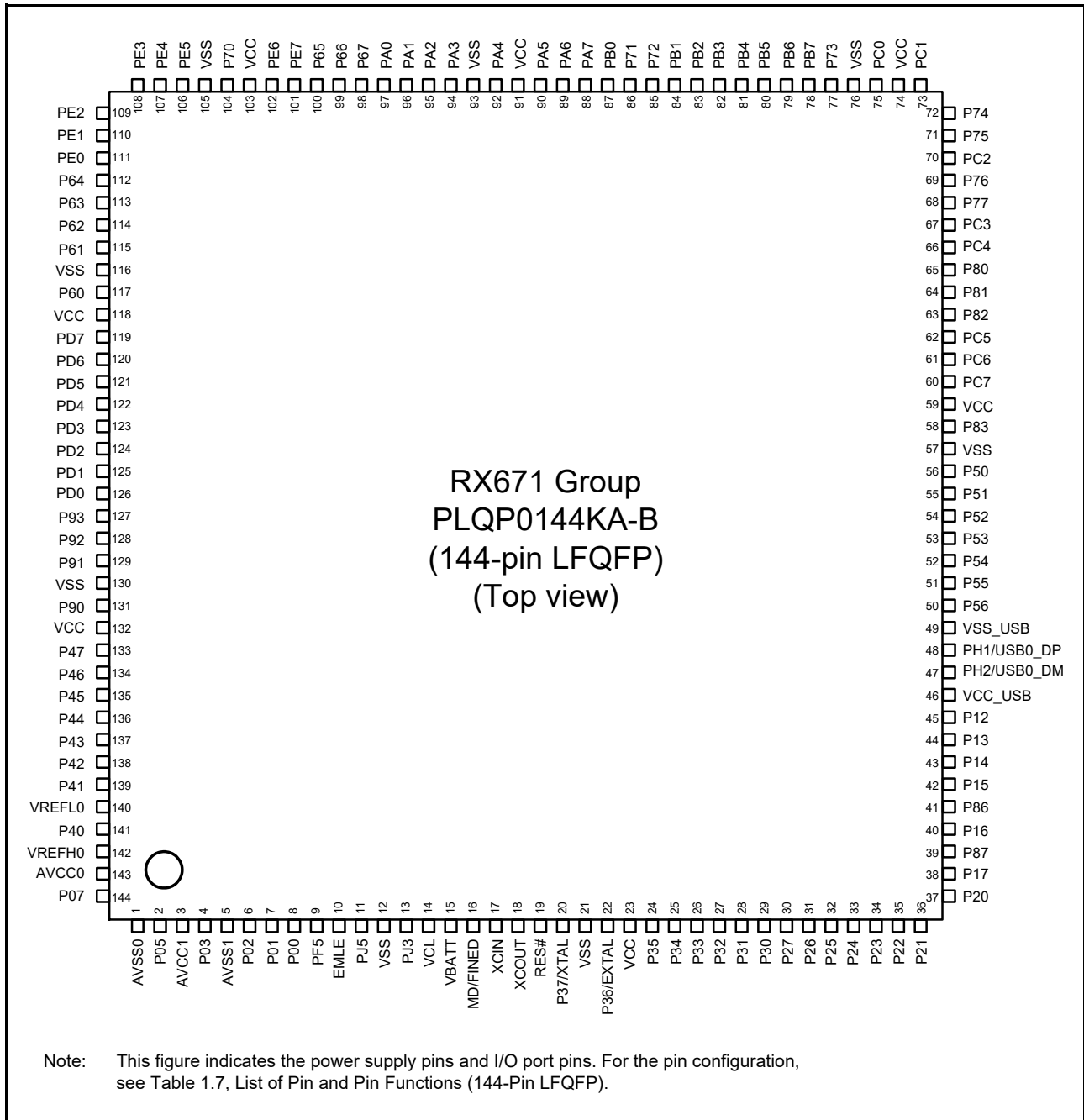
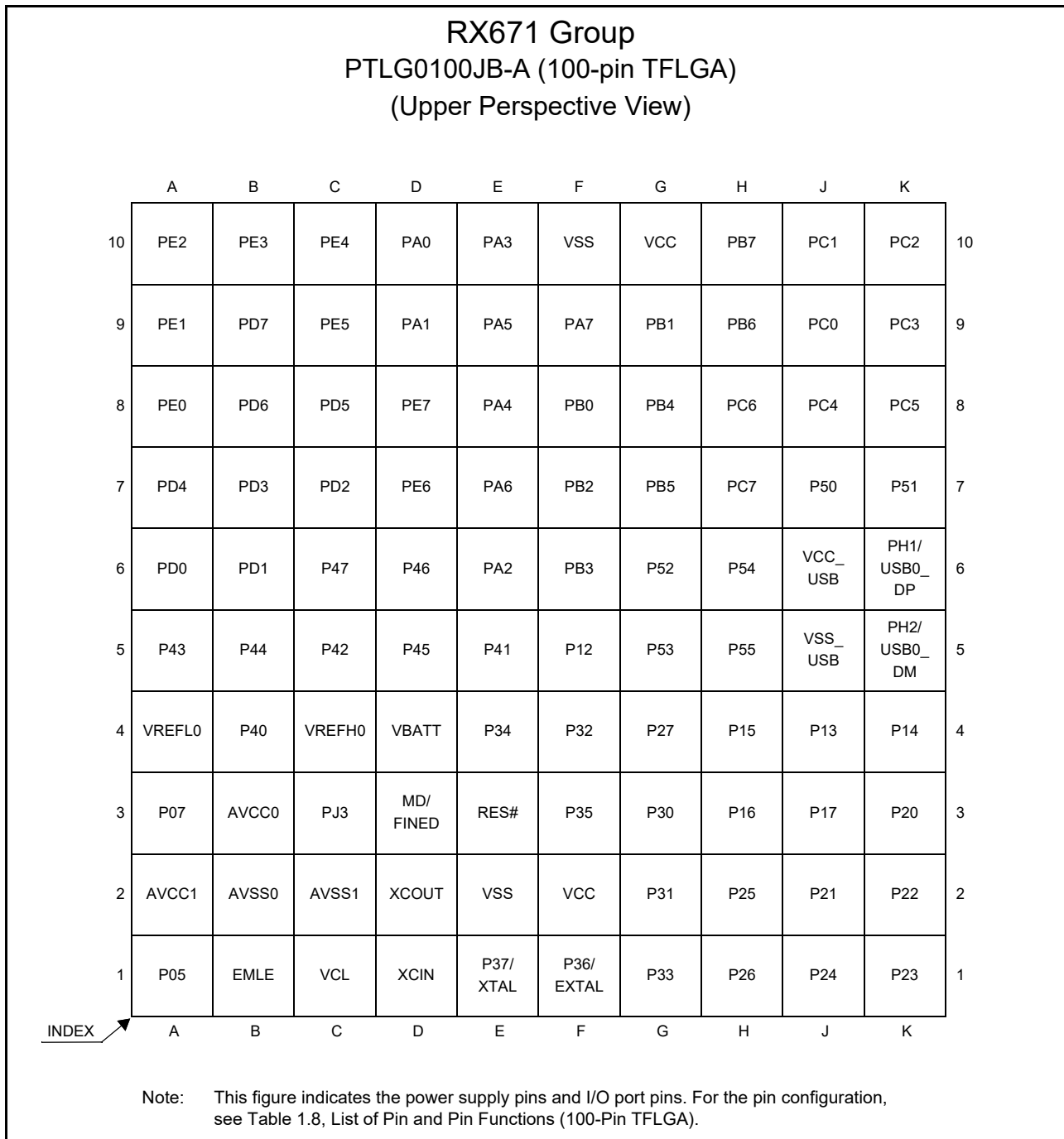


Figure 1.5 Pin Assignment (144-Pin LQFP)

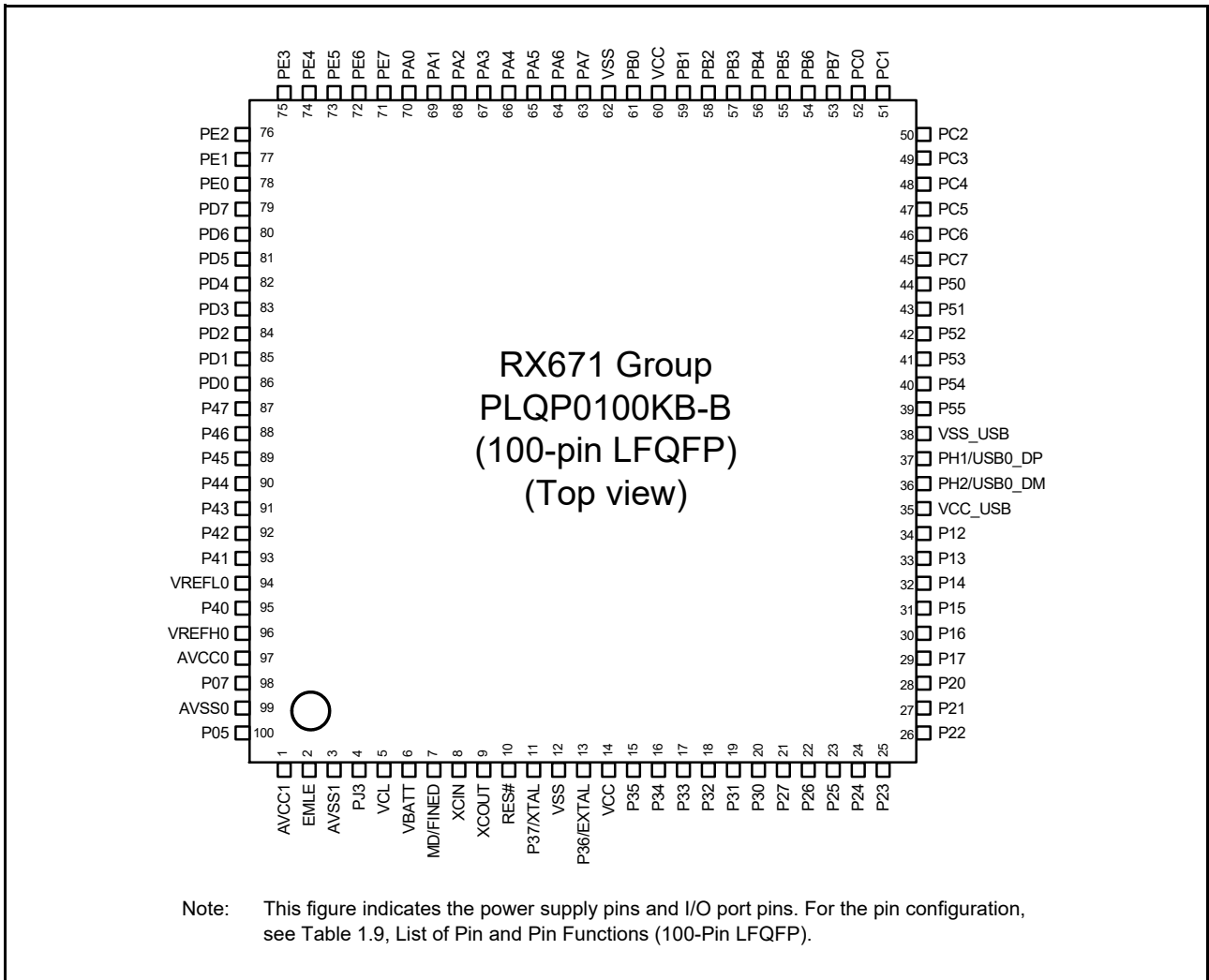


1.5.4 100-Pin TFLGA



**Figure 1.6 Pin Assignment (100-Pin TFLGA)**

1.5.5 100-Pin LQFP



1.5.6 64-Pin TFBGA

**RX671 Group**  
**PTBG0064KB-A (64-pin TFBGA)**  
**(Upper Perspective View)**

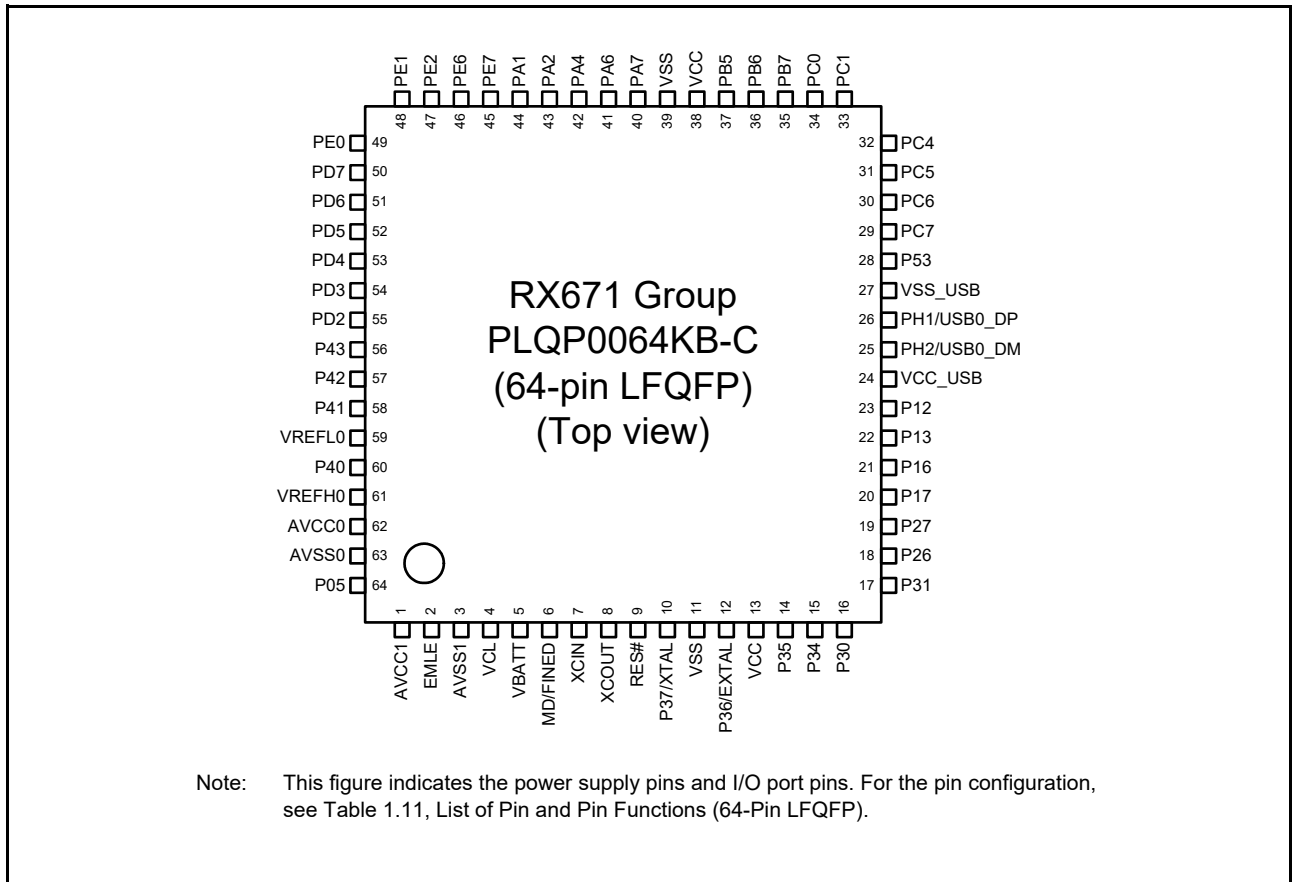
	A	B	C	D	E	F	G	H	
8	PE2	PE6	PE7	PA4	VSS	PB5	PC0	PC1	8
7	PE0	PE1	PA1	PA2	VCC	PB6	PC5	PC4	7
6	PD7	PD6	PD5	PA6	PA7	PB7	PC7	PC6	6
5	PD2	PD3	PD4	P43	BSCANP	P53	VSS_USB	PH1/ USB0_DP	5
4	VREFL0	P42	P41	P40	P13	P12	VCC_USB	PH2/ USB0_DM	4
3	VREFH0	AVCC0	MD/FINED	RES#	P34	P35	P30	P16	3
2	AVSS0	AVSS1	VBATT	XCOUT	VSS	VCC	P31	P17	2
1	AVCC1	EMLE	VCL	XCIN	P37/ XTAL	P36/ EXTAL	P27	P26	1
	A	B	C	D	E	F	G	H	

INDEX →

Note: This figure indicates the power supply pins and I/O port pins. For the pin configuration, see Table 1.10, List of Pin and Pin Functions (64-Pin TFBGA).

**Figure 1.8 Pin Assignment (64-Pin TFBGA)**

1.5.7 64-Pin LFQFP



1.5.8 48-Pin HWQFN

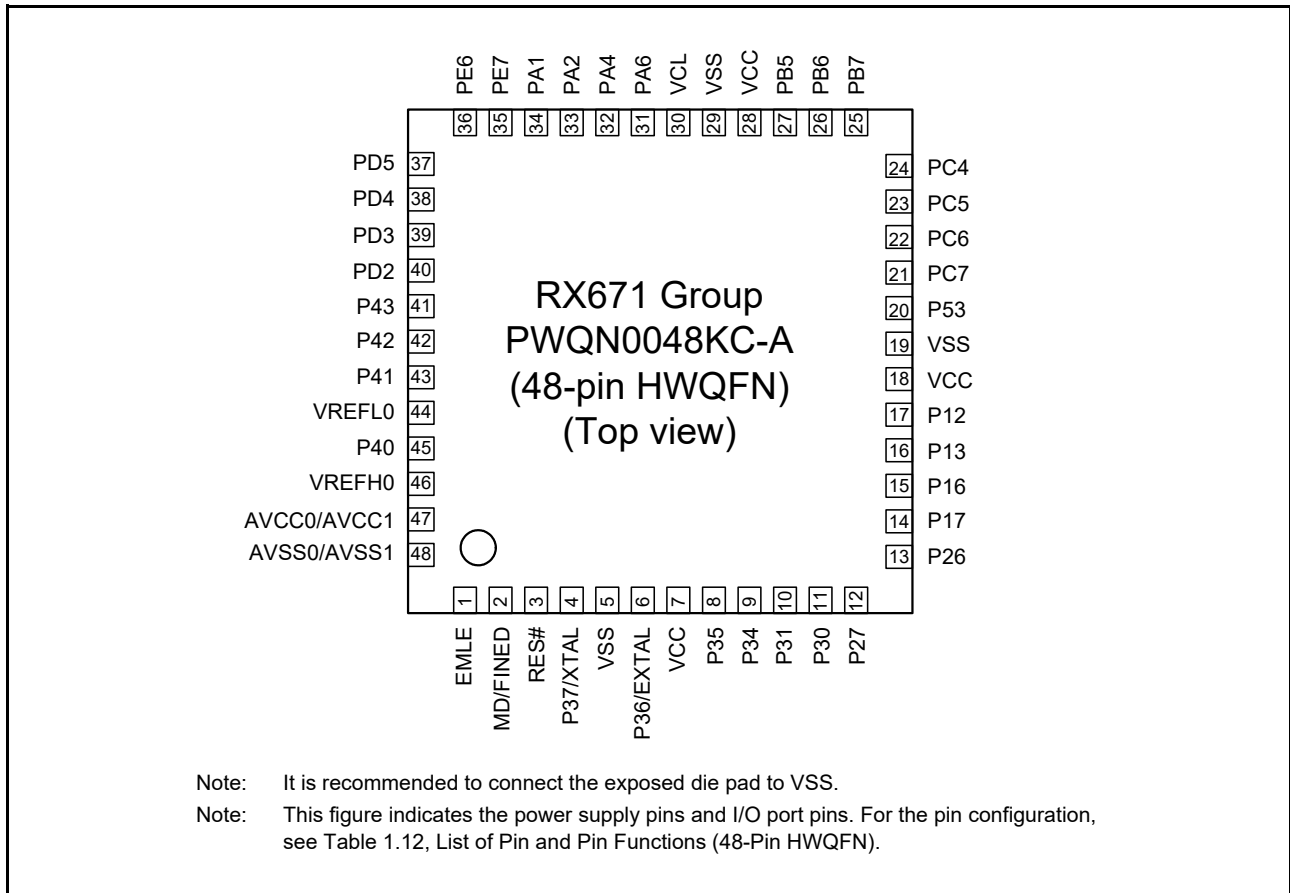


Figure 1.10 Pin Assignment (48-Pin HWQFN)

## 1.6 List of Pin and Pin Functions

## 1.6.1 145-Pin TFLGA (0.65-mm Pitch)

Table 1.5 List of Pin and Pin Functions (0.65-mm Pitch, 145-Pin TFLGA) (1/8)

Pin No.	Power Supply Clock System Control	I/O Port	Bus EXDMAC SDRAMC	Timer	Communication		Interrupt	A/D	Others (CTSUs, CLKOUT, Tamper detection)
				(MTU, TPU, TMR, PPG, RTC, CMTW, POE, CAC)	(SCI, RSCI, RSPI, RSPIA, RIIC, RIICHS, CAN, USB, SSIE, REMC)	(QSPIX, SDHI)			
A1	AVSS0								
A2		P07					IRQ15	ADTRG0#	
A3		P40					IRQ8-DS	AN000	
A4		P42					IRQ10-DS	AN002	
A5		P45					IRQ13-DS	AN005	
A6		P90	A16		TXD7/SMOSI7/ SSDA7		IRQ0	AN108	
A7		P92	A18	POE4#	RXD7/SMISO7/ SSCL7		IRQ10		
A8		PD2	D2[A2/D2]	MTIOC4D/ TIC2	CRX0/MISOC-A	SDHI_D2-B/ QIO2-B	IRQ2	AN105	
A9		PD6	D6[A6/D6]	MTIC5V/ MTIOC8A/ POE4#	SSLC2-A	SDHI_D0-B/ QIO0-B	IRQ6	AN101	
A10	VSS								
A11		P62	CS2#/ RAS#/ D1[A1/D1]				IRQ2		
A12		PE1	D9[A9/D9]/ D1[A1/D1]	MTIOC4C/ MTIOC3B/ PO18	TXD12/SMOSI12/ SSDA12/ TXDX12/SIOX12/ SSLB2-B		IRQ9	ANEX1	
A13		PE3	D11[A11/ D11]/ D3[A3/D3]	MTIOC4B/ PO26/POE8#/ TOC3	CTS12#/RTS12#/ SS12#		IRQ11		
B1	AVCC1								
B2	AVCC0								
B3		P05					IRQ13		
B4	VREFL0								
B5		P43					IRQ11-DS	AN003	
B6		P47					IRQ15-DS	AN007	
B7		P91	A17		SCK7		IRQ9		
B8		PD0	D0[A0/D0]	POE4#			IRQ0	AN107	
B9		PD4	D4[A4/D4]	MTIOC8B/ POE11#	SSLC0-A	SDHI_CMD- B/ QSSL-B	IRQ4	AN103	
B10	VCC								
B11		P61	CS1#/ SDCS#/ D0[A0/D0]				IRQ1		
B12		PE2	D10[A10/ D10]/ D2[A2/D2]	MTIOC4A/ PO23/TIC3	RXD12/ SMISO12/ SSCL12/ RXDX12/ SSLB3-B		IRQ7-DS		

Table 1.5 List of Pin and Pin Functions (0.65-mm Pitch, 145-Pin TFLGA) (2/8)

Pin No.	Power Supply Clock System Control	I/O Port	Bus EXDMAC SDRAMC	Timer	Communication		Interrupt	A/D	Others (CTSUs, CLKOUT, Tamper detection)
				(MTU, TPU, TMR, PPG, RTC, CMTW, POE, CAC)	(SCI, RSCI, RSPI, RSPIA, RIIC, RIICHS, CAN, USB, SSIE, REMC)	(QSPIX, SDHI)			
B13		PE4	D12[A12/ D12]/ D4[A4/D4]	MTIOC4D/ MTIOC1A/ PO28	SSLB0-B		IRQ12		
C1	AVSS1								
C2		P02		TMCI1	SCK6		IRQ10	AN109	
C3	VREFH0								
C4		P41					IRQ9-DS	AN001	
C5		P46					IRQ14-DS	AN006	
C6	VSS								
C7		PD1	D1[A1/D1]	MTIOC4B/ POE0#	CTX0/MOSIC-A		IRQ1	AN106	
C8		PD3	D3[A3/D3]	MTIOC8D/ POE8#/TOC2	RSPCKC-A	SDHI_D3-B/ QIO3-B	IRQ3	AN104	
C9		PD7	D7[A7/D7]	MTIC5U/ POE0#	SSLC3-A	SDHI_D1-B/ QIO1-B	IRQ7	AN100	
C10		P63	CS3#/ CAS#/ D2[A2/D2]				IRQ3		
C11		PE0	D8[A8/D8]/ D0[A0/D0]	MTIOC3D	SCK12/SSLB1-B		IRQ8	ANEX0	
C12		P70	SDCLK				IRQ0		
C13	VSS								
D1		P00		TMR10	TXD6/SMOSI6/ SSDA6		IRQ8	AN111	
D2		PF5					IRQ4		
D3		P03					IRQ11		
D4		P01		TMCI0	RXD6/SMISO6/ SSCL6		IRQ9	AN110	
D5	VCC								
D6		P93	A19	POE0#	CTS7#/RTS7#/ SS7#		IRQ11		
D7		PD5	D5[A5/D5]	MTIC5W/ MTIOC8C/ POE10#	SSLC1-A	SDHI_CLK- B/ QSPCLK-B	IRQ5	AN102	
D8		P60	CS0#				IRQ0		
D9		P64	CS4#/WE#/ D3[A3/D3]				IRQ4		
D10		PE7	D15[A15/ D15]/ D7[A7/D7]	MTIOC6A/ TOC1	MISOB-B	SDHI_WP/ SDHI_D1-B/ QIO1-B	IRQ7		
D11	VCC								
D12		PE5	D13[A13/ D13]/ D5[A5/D5]	MTIOC4C/ MTIOC2B	RSPCKB-B		IRQ5		
D13		PE6	D14[A14/ D14]/ D6[A6/D6]	MTIOC6C/ TIC1	MOSIB-B	SDHI_CD/ SDHI_D0-B/ QIO0-B	IRQ6		
E1	VSS								
E2	VCL								

Table 1.5 List of Pin and Pin Functions (0.65-mm Pitch, 145-Pin TFLGA) (3/8)

Pin No.	Power Supply Clock System Control	I/O Port	Bus EXDMAC SDRAMC	Timer	Communication		Interrupt	A/D	Others (CTSU, CLKOUT, Tamper detection)
				(MTU, TPU, TMR, PPG, RTC, CMTW, POE, CAC)	(SCI, RSCI, RSPI, RSPIA, RIIC, RIICHS, CAN, USB, SSIE, REMC)	(QSPIX, SDHI)			
E3		PJ5		POE8#	CTS2#/RTS2#/ SS2#		IRQ13		
E4	EMLE								
E5		P44					IRQ12-DS	AN004	
E10		PA0	A0/BC0#	MTIOC4A/ MTIOC6D/ TIOCA0/ CACREF/ PO16	SSLA1-B/ SSL01-B		IRQ0		
E11		P66	CS6#/ DQM0	MTIOC7D			IRQ14		
E12		P65	CS5#/CKE				IRQ13		
E13		P67	CS7#/ DQM1	MTIOC7C			IRQ15		
F1	XCIN								
F2	XCOU								
F3	EXCIN	PJ3	EDACK1	MTIOC3C	CTS6#/RTS6#/ CTS0#/RTS0#/ SS6#/SS0#		IRQ11		
F4	VBATT								
F10		PA3	A3	MTIOC0D/ MTCLKD/ TIOC0D/ TCLKB/PO19	RXD5/SMISO5/ SSCL5		IRQ6-DS		
F11		PA4	A4	MTIC5U/ MTCLKA/ TIOCA1/ TMRI0/PO20	TXD5/SMOSI5/ SSDA5/SSLA0-B/ SSL00-B/TXD12/ SMOSI12/ SSDA12/ TXDX12/SIOX12		IRQ5-DS		
F12		PA1	A1	MTIOC0B/ MTCLKC/ MTIOC7B/ TIOCB0/PO17	SCK5/SSLA2-B/ SSL02-B/SCK12	SDHI_CD	IRQ11		
F13		PA2	A2	MTIOC7A/ PO18	RXD5/SMISO5/ SSCL5/SSLA3-B/ SSL03-B/RXD12/ SMISO12/ SSCL12/RXDX12	SDHI_WP	IRQ10		
G1	XTAL	P37							
G2	RES#								
G3	MD/FINED								
G4	BSCANP								
G10		PA5	A5	MTIOC6B/ TIOCB1/PO21	RSPCKA-B/ RSPCK0-B		IRQ5		
G11		PA6	A6	MTIC5V/ MTCLKB/ TIOCA2/ TMCI3/PO22/ POE10#	CTS5#/RTS5#/ SS5#/MOSIA-B/ MOSI0-B/ CTS12#/RTS12#/ SS12#		IRQ14		
G12	VSS_USB								
G13					USB1_DP				



Table 1.5 List of Pin and Pin Functions (0.65-mm Pitch, 145-Pin TFLGA) (4/8)

Pin No.	Power Supply Clock System Control	I/O Port	Bus EXDMAC SDRAMC	Timer	Communication		Interrupt	A/D	Others (CTSUs, CLKOUT, Tamper detection)
				(MTU, TPU, TMR, PPG, RTC, CMTW, POE, CAC)	(SCI, RSCI, RSPI, RSPIA, RIIC, RIICHS, CAN, USB, SSIE, REMC)	(QSPIX, SDHI)			
H1	EXTAL	P36							
H2	VCC								
H3	VSS								
H4	UPSEL	P35					NMI		
H10		PB0	A8	MTIC5W/ TIOCA3/PO24	RXD4/RXD6/ SMISO4/ SMISO6/SSCL4/ SSCL6		IRQ12		
H11		PA7	A7	TIOCB2/PO23	MISOA-B/ MISO0-B		IRQ7		
H12	VCC_USB								
H13					USB1_DM				
J1	TRST#	P34		MTIOC0A/ TMCI3/PO12/ POE10#	SCK6/SCK0		IRQ4		TS0
J2		P33	EDREQ1	MTIOC0D/ TIOC0D/ TMRI3/PO11/ POE4#/ POE11#	RXD6/RXD0/ SMISO6/ SMISO0/SSCL6/ SSCL0/CRX0		IRQ3-DS		TS1
J3		P32		MTIOC0C/ TIOCC0/ TMO3/PO10/ RTCOUT/ RTCIC2/ POE0#/ POE10#	TXD6/TXD0/ SMOSI6/ SMOSI0/SSDA6/ SSDA0/CTX0/ USB0_VBUSEN		IRQ2-DS		TAMPI2
J4	TDI	P30		MTIOC4B/ TMRI3/PO8/ RTCIC0/ POE8#	RXD1/SMISO1/ SSCL1/MISOB-A		IRQ0-DS		TAMPI0
J10		PB3	A11	MTIOC0A/ MTIOC4A/ TIOC0D3/ TCLKD/ TMO0/PO27/ POE11#	SCK4/SCK6/ PMC0-DS		IRQ3		
J11		PB4	A12	TIOCA4/PO28	CTS9#/RTS9#/ SS9#/SS11#/ CTS11#/RTS11#/ SS011#/ CTS011#/ RTS011#/DE011		IRQ4		
J12		PB2	A10	TIOCC3/ TCLKC/PO26	CTS4#/RTS4#/ CTS6#/RTS6#/ SS4#/SS6#		IRQ2		
J13		PB1	A9	MTIOC0C/ MTIOC4C/ TIOCB3/ TMCI0/PO25	TXD4/TXD6/ SMOSI4/ SMOSI6/SSDA4/ SSDA6		IRQ4-DS		
K1	TCK	P27	CS7#	MTIOC2B/ TMCI3/PO7	SCK1/RSPCKB-A		IRQ7		TS2

Table 1.5 List of Pin and Pin Functions (0.65-mm Pitch, 145-Pin TFLGA) (5/8)

Pin No.	Power Supply Clock System Control	I/O Port	Bus EXDMAC SDRAMC	Timer	Communication		Interrupt	A/D	Others (CTSUs, CLKOUT, Tamper detection)
				(MTU, TPU, TMR, PPG, RTC, CMTW, POE, CAC)	(SCI, RSCI, RSPI, RSPIA, RIIC, RIICHS, CAN, USB, SSIE, REMC)	(QSPIX, SDHI)			
K2	TDO	P26	CS6#	MTIOC2A/ TMO1/PO6	TXD1/CTS3#/ RTS3#/SMOSI1/ SS3#/SSDA1/ MOSIB-A		IRQ6		TS3
K3	TMS	P31		MTIOC4D/ TMCI2/PO9/ RTCIC1	CTS1#/RTS1#/ SS1#/SSLB0-A		IRQ1-DS		TAMPI1
K4		P15		MTIOC0B/ MTCLKB/ TIOCB2/ TCLKB/ TMCI2/PO13	RXD1/SCK3/ SMISO1/SSCL1/ CRX1-DS		IRQ5		TS10
K5	TRDATA2	P54	ALE/ D1[A1/D1]/ EDACK0	MTIOC4B/ TMCI1	CTS2#/RTS2#/ SS2#/CTX1/ MOSIC-B		IRQ4		
K6		P53*1	BCLK		SSIRXD0/ PMC0-DS		IRQ3		TS12
K7		P51	WR1#/ BC1#/ WAIT#		SCK2/SSLB2-A		IRQ1		
K8	VCC								
K9	TRDATA0	P80	EDREQ0	MTIOC3B/ PO26	SCK10/RTS10#/ SCK010/ RTS010#/DE010/ USB1_EXICEN	SDHI_WP/ QIO2-A	IRQ8		
K10	TRDATA6	P76	CS6#	PO22	SMISO11/ SSCL11/RXD11/ SMISO011/ SSCL011/ RXD011	SDHI_CMD- A/ QSSL-A	IRQ14		
K11		PB7	A15	MTIOC3B/ TIOCB5/PO31	TXD9/SMOSI9/ SSDA9/ SMOSI11/ SSDA11/TXD11/ SMOSI011/ SSDA011/ TXD011		IRQ15		
K12		PB6	A14	MTIOC3D/ TIOCA5/PO30	RXD9/SMISO9/ SSCL9/SMISO11/ SSCL11/RXD11/ SMISO011/ SSCL011/ RXD011		IRQ6		
K13		PB5	A13	MTIOC2A/ MTIOC1B/ TIOCB4/ TMRI1/PO29/ POE4#	SCK9/SCK11/ SCK011		IRQ13		
L1		P25	CS5#/ EDACK1	MTIOC4C/ MTCLKB/ TIOCA4/PO5	RXD3/SMISO3/ SSCL3	SDHI_CD	IRQ5	ADTRG0#	TS4/ CLKOUT
L2		P23	EDACK0	MTIOC3D/ MTCLKD/ TIOCD3/PO3	TXD3/CTS0#/ RTS0#/SMOSI3/ SS0#/SSDA3/ SSIBCK0	SDHI_D1-C	IRQ3		TS6

Table 1.5 List of Pin and Pin Functions (0.65-mm Pitch, 145-Pin TFLGA) (6/8)

Pin No.	Power Supply Clock System Control	I/O Port	Bus EXDMAC SDRAMC	Timer	Communication		Interrupt	A/D	Others (CTSUs, CLKOUT, Tamp detection)
				(MTU, TPU, TMR, PPG, RTC, CMTW, POE, CAC)	(SCI, RSCI, RSPI, RSPIA, RIIC, RIICHS, CAN, USB, SSIE, REMC)	(QSPIX, SDHI)			
L3		P16		MTIOC3C/ MTIOC3D/ TIOCB1/ TCLKC/ TMO2/PO14/ RTCOUT	TXD1/RXD3/ SMOSI1/ SMISO3/SSDA1/ SSCL3/SCL2-DS/ USB0_VBUS/ USB0_VBUSEN/ USB0_OVRCUR B		IRQ6	ADTRG0#	
L4		P24	CS4#/ EDREQ1	MTIOC4A/ MTCLKA/ TIOCB4/ TMRI1/PO4	SCK3/ USB0_VBUSEN	SDHI_WP	IRQ12		TS5
L5		P13		MTIOC0B/ TIOCA5/ TMO3/PO13	TXD2/SMOSI2/ SSDA2/ SDA0[FM+]/ SDAHS0[FM+/ HS]		IRQ3	ADTRG1#	
L6		P56	EDACK1	MTIOC3C/ TIOCA1	SCK7/ RSPCKC-B		IRQ6		
L7		P52	RD#		RXD2/SMISO2/ SSCL2/SSLB3-A		IRQ2		
L8	TRCLK	P83	EDACK1	MTIOC4C	SS10#/CTS10#/ SCK10/SS010#/ CTS010#/ SCK010		IRQ3		
L9		PC5	D3[A3/D3]/ A21/CS2#/ WAIT#	MTIOC3B/ MTCLKD/ TMRI2/PO29	SCK8/SCK10/ RSPCKA-A/ SSIBCK0/ SCK010/ RSPCK0-A		IRQ5		TS14
L10		PC4	A20/CS3#	MTIOC3D/ MTCLKC/ TMC11/PO25/ POE0#	SCK5/CTS8#/ RTS8#/SS8#/ SS10#/CTS10#/ RTS10#/ SSLA0-A/ AUDIO_CLK/ SS010#/ CTS010#/ RTS010#/DE010/ SSL00-A	SDHI_D1-A/ QIO1-A	IRQ12		TSCAP
L11		PC2	A18	MTIOC4B/ TCLKA/PO21	RXD5/SMISO5/ SSCL5/SSLA3-A/ TXDB011/ SSL03-A	SDHI_D3-A	IRQ10		
L12	TRDATA4	P73	CS3#	PO16	USB1_VBUS/ USB1_VBUSEN/ USB1_OVRCUR B		IRQ8		
L13	VSS								
M1		P22	EDREQ0	MTIOC3B/ MTCLKC/ TIOCC3/ TMO0/PO2	SCK0/ USB0_OVRCUR B/ AUDIO_CLK	SDHI_D0-C	IRQ15		TS7

Table 1.5 List of Pin and Pin Functions (0.65-mm Pitch, 145-Pin TFLGA) (7/8)

Pin No.	Power Supply Clock System Control	I/O Port	Bus EXDMAC SDRAMC	Timer	Communication		Interrupt	A/D	Others (CTS, CLKOUT, Tamper detection)
				(MTU, TPU, TMR, PPG, RTC, CMTW, POE, CAC)	(SCI, RSCI, RSPI, RSPIA, RIIC, RIICHS, CAN, USB, SSIE, REMC)	(QSPIX, SDHI)			
M2		P17		MTIOC3A/ MTIOC3B/ MTIOC4B/ TIOCB0/ TCLKD/ TMO1/PO15/ POE8#	SCK1/TXD3/ SMOSI3/SSDA3/ SDA2-DS/ SSITXD0	SDHI_D3-C	IRQ7	ADTRG1#	
M3		P86		MTIOC4D/ TIOCA0	SMISO10/ SSCL10/RXD10/ SMISO010/ SSCL010/ RXD010		IRQ14		
M4		P12		MTIC5U/ TMC11	RXD2/SMISO2/ SSCL2/ SCL0[FM+]/ SCLHS0[FM+/ HS]		IRQ2		
M5	VCC_USB								
M6	VSS_USB								
M7		P50	WR0#/WR#		TXD2/SMOSI2/ SSDA2/SSLB1-A		IRQ0		
M8		PC6	D2[A2/D2]/ A22/CS1#	MTIOC3C/ MTCLKA/ TMC12/TIC0/ PO30	RXD8/SMISO8/ SSCL8/ SMISO10/ SSCL10/RXD10/ MOSIA-A/ SSILRCK0/ SMISO010/ SSCL010/ RXD010/ MOSI0-A		IRQ13		TS13
M9	TRDATA1	P81	EDACK0	MTIOC3D/ PO27	SMISO10/ SSCL10/RXD10/ SMISO010/ SSCL010/ RXD010/ USB1_OVRCUR B	SDHI_CD/ QIO3-A	IRQ9		
M10	TRDATA7	P77	CS7#	PO23	SMOSI11/ SSDA11/TXD11/ SMOSI011/ SSDA011/ TXD011/ USB1_ID	SDHI_CLK- A/ QSPCLK-A	IRQ7		
M11		PC0	A16	MTIOC3C/ TCLKC/PO17	CTS5#/RTS5#/ SS5#/SSLA1-A/ RXD011/ SMISO011/ SSCL011/ SSL01-A		IRQ14		TS16
M12		PC1	A17	MTIOC3A/ TCLKD/PO18	SCK5/SSLA2-A/ TXD011/ SMOSI011/ SSDA011/ TXDA011/ SSL02-A		IRQ12		TS15
M13	VCC								

**Table 1.5 List of Pin and Pin Functions (0.65-mm Pitch, 145-Pin TFLGA) (8/8)**

Pin No.	Power Supply Clock System Control	I/O Port	Bus EXDMAC SDRAMC	Timer	Communication		Interrupt	A/D	Others (CTSUs, CLKOUT, Tamp detection)
				(MTU, TPU, TMR, PPG, RTC, CMTW, POE, CAC)	(SCI, RSCI, RSPI, RSPIA, RIIC, RIICHS, CAN, USB, SSIE, REMC)	(QSPIX, SDHI)			
N1		P21		MTIOC1B/ MTIOC4A/ TIOCA3/ TMCI0/PO1	RXD0/SMISO0/ SSCL0/SCL1/ USB0_EXICEN/ SSILRCK0	SDHI_CLK-C	IRQ9		TS8
N2		P20		MTIOC1A/ TIOCB3/ TMRI0/PO0	TXD0/SMOSI0/ SSDA0/SDA1/ USB0_ID/ SSIRXD0	SDHI_CMD- C	IRQ8		TS9
N3		P87		MTIOC4C/ TIOCA2	SMOSI10/ SSDA10/TXD10/ SMOSI010/ SSDA010/ TXD010	SDHI_D2-C	IRQ15		
N4		P14		MTIOC3A/ MTCLKA/ TIOCB5/ TCLKA/ TMRI2/PO15	CTS1#/RTS1#/ SS1#/CTX1/ USB0_OVRCUR A		IRQ4		TS11
N5		PH2		TMRI0	USB0_DM		IRQ1		
N6		PH1		TMO0	USB0_DP		IRQ0		
N7	TRDATA3	P55	D0[A0/D0]/ WAIT#/ EDREQ0	MTIOC4D/ TMO3	TXD7/SMOSI7/ SSDA7/CRX1/ MISOC-B		IRQ10		
N8	VSS								
N9	UB	PC7	A23/CS0#	MTIOC3A/ MTCLKB/ TMO2/TOC0/ PO31/ CACREF	TXD8/SMOSI8/ SSDA8/ SMOSI10/ SSDA10/TXD10/ MISOA-A/ SSITXD0/ SMOSI010/ SSDA010/ TXD010/ MISO0-A		IRQ14		
N10	TRSYNC	P82	EDREQ1	MTIOC4A/ PO28	SMOSI10/ SSDA10/TXD10/ SMOSI010/ SSDA010/ TXD010/ USB1_VBUSEN		IRQ2		
N11		PC3	A19	MTIOC4D/ TCLKB/PO24	TXD5/SMOSI5/ SSDA5/ PMC0-DS	SDHI_D0-A/ QIO0-A	IRQ11		
N12	TRSYNC1	P75	CS5#	PO20	SCK11/RTS11#/ SCK011/ RTS011#/DE011/ USB1_OVRCUR A	SDHI_D2-A	IRQ13		
N13	TRDATA5	P74	A20/CS4#	PO19	SS11#/CTS11#/ SS011#/ CTS011#/ USB1_VBUSEN		IRQ12		

Note 1. P53 is multiplexed with the BCLK pin function, so cannot be used as an I/O port pin when the external bus is enabled.

## 1.6.2 145-Pin TFLGA (0.50-mm Pitch)

Table 1.6 List of Pin and Pin Functions (0.50-mm Pitch, 145-Pin TFLGA) (1/8)

Pin No.	Power Supply Clock System Control	I/O Port	Bus EXDMAC SDRAMC	Timer	Communication		Interrupt	A/D	Others (CTSUs, CLKOUT, Tamper detection)
				(MTU, TPU, TMR, PPG, RTC, CMTW, POE, CAC)	(SCI, RSCI, RSPI, RSPIA, RIIC, RIICHS, CAN, USB, SSIE, REMC)	(QSPIX, SDHI)			
A1	AVSS0								
A2		P07					IRQ15	ADTRG0#	
A3		P40					IRQ8-DS	AN000	
A4		P42					IRQ10-DS	AN002	
A5		P45					IRQ13-DS	AN005	
A6		P90	A16		TXD7/SMOSI7/ SSDA7		IRQ0	AN108	
A7		P92	A18	POE4#	RXD7/SMISO7/ SSCL7		IRQ10		
A8		PD2	D2[A2/D2]	MTIOC4D/ TIC2	CRX0/MISOC-A	SDHI_D2-B/ QIO2-B	IRQ2	AN105	
A9		PD6	D6[A6/D6]	MTIC5V/ MTIOC8A/ POE4#	SSLC2-A	SDHI_D0-B/ QIO0-B	IRQ6	AN101	
A10	VSS								
A11		P62	CS2#/ RAS#/ D1[A1/D1]				IRQ2		
A12		PE1	D9[A9/D9]/ D1[A1/D1]	MTIOC4C/ MTIOC3B/ PO18	TXD12/SMOSI12/ SSDA12/ TXDX12/SIOX12/ SSLB2-B		IRQ9	ANEX1	
A13		PE3	D11[A11/ D11]/ D3[A3/D3]	MTIOC4B/ PO26/POE8#/ TOC3	CTS12#/RTS12#/ SS12#		IRQ11		
B1	AVCC1								
B2	AVCC0								
B3		P05					IRQ13		
B4	VREFL0								
B5		P43					IRQ11-DS	AN003	
B6		P47					IRQ15-DS	AN007	
B7		P91	A17		SCK7		IRQ9		
B8		PD0	D0[A0/D0]	POE4#			IRQ0	AN107	
B9		PD4	D4[A4/D4]	MTIOC8B/ POE11#	SSLC0-A	SDHI_CMD- B/ QSSL-B	IRQ4	AN103	
B10	VCC								
B11		P61	CS1#/ SDCS#/ D0[A0/D0]				IRQ1		
B12		PE2	D10[A10/ D10]/ D2[A2/D2]	MTIOC4A/ PO23/TIC3	RXD12/ SMISO12/ SSCL12/ RXDX12/ SSLB3-B		IRQ7-DS		

Table 1.6 List of Pin and Pin Functions (0.50-mm Pitch, 145-Pin TFLGA) (2/8)

Pin No.	Power Supply Clock System Control	I/O Port	Bus EXDMAC SDRAMC	Timer	Communication		Interrupt	A/D	Others (CTSUs, CLKOUT, Tamper detection)
				(MTU, TPU, TMR, PPG, RTC, CMTW, POE, CAC)	(SCI, RSCI, RSPI, RSPIA, RIIC, RIICHS, CAN, USB, SSIE, REMC)	(QSPIX, SDHI)			
B13		PE4	D12[A12/ D12]/ D4[A4/D4]	MTIOC4D/ MTIOC1A/ PO28	SSLB0-B		IRQ12		
C1	AVSS1								
C2		P02		TMC11	SCK6		IRQ10	AN109	
C3	VREFH0								
C4		P41					IRQ9-DS	AN001	
C5		P46					IRQ14-DS	AN006	
C6	VSS								
C7		PD1	D1[A1/D1]	MTIOC4B/ POE0#	CTX0/MOSIC-A		IRQ1	AN106	
C8		PD3	D3[A3/D3]	MTIOC8D/ POE8#/TOC2	RSPCKC-A	SDHI_D3-B/ QIO3-B	IRQ3	AN104	
C9		PD7	D7[A7/D7]	MTIC5U/ POE0#	SSLC3-A	SDHI_D1-B/ QIO1-B	IRQ7	AN100	
C10		P63	CS3#/ CAS#/ D2[A2/D2]				IRQ3		
C11		PE0	D8[A8/D8]/ D0[A0/D0]	MTIOC3D	SCK12/SSLB1-B		IRQ8	ANEX0	
C12		P70	SDCLK				IRQ0		
C13	VSS								
D1		P00		TMR10	TXD6/SMOSI6/ SSDA6		IRQ8	AN111	
D2		PF5					IRQ4		
D3		P03					IRQ11		
D4		P01		TMC10	RXD6/SMISO6/ SSCL6		IRQ9	AN110	
D5	VCC								
D6		P93	A19	POE0#	CTS7#/RTS7#/ SS7#		IRQ11		
D7		PD5	D5[A5/D5]	MTIC5W/ MTIOC8C/ POE10#	SSLC1-A	SDHI_CLK- B/ QSPCLK-B	IRQ5	AN102	
D8		P60	CS0#				IRQ0		
D9		P64	CS4#/WE#/ D3[A3/D3]				IRQ4		
D10		PE7	D15[A15/ D15]/ D7[A7/D7]	MTIOC6A/ TOC1	MISOB-B	SDHI_WP/ SDHI_D1-B/ QIO1-B	IRQ7		
D11	VCC								
D12		PE5	D13[A13/ D13]/ D5[A5/D5]	MTIOC4C/ MTIOC2B	RSPCKB-B		IRQ5		
D13		PE6	D14[A14/ D14]/ D6[A6/D6]	MTIOC6C/ TIC1	MOSIB-B	SDHI_CD/ SDHI_D0-B/ QIO0-B	IRQ6		
E1	VSS								
E2	VCL								

Table 1.6 List of Pin and Pin Functions (0.50-mm Pitch, 145-Pin TFLGA) (3/8)

Pin No.	Power Supply Clock System Control	I/O Port	Bus EXDMAC SDRAMC	Timer	Communication		Interrupt	A/D	Others (CTSU, CLKOUT, Tamper detection)
				(MTU, TPU, TMR, PPG, RTC, CMTW, POE, CAC)	(SCI, RSCI, RSPI, RSPIA, RIIC, RIICHS, CAN, USB, SSIE, REMC)	(QSPIX, SDHI)			
E3		PJ5		POE8#	CTS2#/RTS2#/ SS2#		IRQ13		
E4	EMLE								
E5		P44					IRQ12-DS	AN004	
E10		PA0	A0/BC0#	MTIOC4A/ MTIOC6D/ TIOCA0/ CACREF/ PO16	SSLA1-B/ SSL01-B		IRQ0		
E11		P66	CS6#/ DQM0	MTIOC7D			IRQ14		
E12		P65	CS5#/CKE				IRQ13		
E13		P67	CS7#/ DQM1	MTIOC7C			IRQ15		
F1	XCIN								
F2	XCOUT								
F3	EXCIN	PJ3	EDACK1	MTIOC3C	CTS6#/RTS6#/ CTS0#/RTS0#/ SS6#/SS0#		IRQ11		
F4	VBATT								
F10		PA3	A3	MTIOC0D/ MTCLKD/ TIOCD0/ TCLKB/PO19	RXD5/SMISO5/ SSCL5		IRQ6-DS		
F11	VSS								
F12		PA1	A1	MTIOC0B/ MTCLKC/ MTIOC7B/ TIOCB0/PO17	SCK5/SSLA2-B/ SSL02-B/SCK12	SDHI_CD	IRQ11		
F13		PA2	A2	MTIOC7A/ PO18	RXD5/SMISO5/ SSCL5/SSLA3-B/ SSL03-B/RXD12/ SMISO12/ SSCL12/RXD12	SDHI_WP	IRQ10		
G1	XTAL	P37							
G2	RES#								
G3	MD/FINED								
G4	BSCANP								
G10		PA5	A5	MTIOC6B/ TIOCB1/PO21	RSPCKA-B/ RSPCK0-B		IRQ5		
G11		PA6	A6	MTIC5V/ MTCLKB/ TIOCA2/ TMCI3/PO22/ POE10#	CTS5#/RTS5#/ SS5#/MOSIA-B/ MOSI0-B/ CTS12#/RTS12#/ SS12#		IRQ14		
G12	VCC								
G13		PA4	A4	MTIC5U/ MTCLKA/ TIOCA1/ TMRI0/PO20	TXD5/SMOSI5/ SSDA5/SSLA0-B/ SSL00-B/TXD12/ SMOSI12/ SSDA12/ TXDX12/SIOX12		IRQ5-DS		



Table 1.6 List of Pin and Pin Functions (0.50-mm Pitch, 145-Pin TFLGA) (4/8)

Pin No.	Power Supply Clock System Control	I/O Port	Bus EXDMAC SDRAMC	Timer	Communication		Interrupt	A/D	Others (CTSU, CLKOUT, Tamper detection)
				(MTU, TPU, TMR, PPG, RTC, CMTW, POE, CAC)	(SCI, RSCI, RSPI, RSPIA, RIIC, RIICHS, CAN, USB, SSIE, REMC)	(QSPIX, SDHI)			
H1	EXTAL	P36							
H2	VCC								
H3	VSS								
H4	UPSEL	P35					NMI		
H10		P72	A19/CS2#				IRQ10		
H11		P71	A18/CS1#				IRQ1		
H12		PB0	A8	MTIC5W/ TIOCA3/PO24	RXD4/RXD6/ SMISO4/ SMISO6/SSCL4/ SSCL6		IRQ12		
H13		PA7	A7	TIOCB2/PO23	MISOA-B/ MISO0-B		IRQ7		
J1	TRST#	P34		MTIOC0A/ TMCI3/PO12/ POE10#	SCK6/SCK0		IRQ4		TS0
J2		P33	EDREQ1	MTIOC0D/ TIOCD0/ TMRI3/PO11/ POE4#/ POE11#	RXD6/RXD0/ SMISO6/ SMISO0/SSCL6/ SSCL0/CRX0		IRQ3-DS		TS1
J3		P32		MTIOC0C/ TIOCC0/ TMO3/PO10/ RTCOUT/ RTCIC2/ POE0#/ POE10#	TXD6/TXD0/ SMOSI6/ SMOSI0/SSDA6/ SSDA0/CTX0/ USB0_VBUSEN		IRQ2-DS		TAMPI2
J4	TDI	P30		MTIOC4B/ TMRI3/PO8/ RTCIC0/ POE8#	RXD1/SMISO1/ SSCL1/MISOB-A		IRQ0-DS		TAMPI0
J10		PB3	A11	MTIOC0A/ MTIOC4A/ TIOCD3/ TCLKD/ TMO0/PO27/ POE11#	SCK4/SCK6/ PMC0-DS		IRQ3		
J11		PB4	A12	TIOCA4/PO28	CTS9#/RTS9#/ SS9#/SS11#/ CTS11#/RTS11#/ SS011#/ CTS011#/ RTS011#/DE011		IRQ4		
J12		PB2	A10	TIOCC3/ TCLKC/PO26	CTS4#/RTS4#/ CTS6#/RTS6#/ SS4#/SS6#		IRQ2		
J13		PB1	A9	MTIOC0C/ MTIOC4C/ TIOCB3/ TMCI0/PO25	TXD4/TXD6/ SMOSI4/ SMOSI6/SSDA4/ SSDA6		IRQ4-DS		
K1	TCK	P27	CS7#	MTIOC2B/ TMCI3/PO7	SCK1/RSPCKB-A		IRQ7		TS2

Table 1.6 List of Pin and Pin Functions (0.50-mm Pitch, 145-Pin TFLGA) (5/8)

Pin No.	Power Supply Clock System Control	I/O Port	Bus EXDMAC SDRAMC	Timer	Communication		Interrupt	A/D	Others (CTSUs, CLKOUT, Tamper detection)
				(MTU, TPU, TMR, PPG, RTC, CMTW, POE, CAC)	(SCI, RSPI, RSPIA, RIIC, RIICHS, CAN, USB, SSIE, REMC)	(QSPIX, SDHI)			
K2	TDO	P26	CS6#	MTIOC2A/ TMO1/PO6	TXD1/CTS3#/ RTS3#/SMOSI1/ SS3#/SSDA1/ MOSIB-A		IRQ6		TS3
K3	TMS	P31		MTIOC4D/ TMC12/PO9/ RTCIC1	CTS1#/RTS1#/ SS1#/SSLB0-A		IRQ1-DS		TAMPI1
K4		P15		MTIOC0B/ MTCLKB/ TIOCB2/ TCLKB/ TMC12/PO13	RXD1/SCK3/ SMISO1/SSCL1/ CRX1-DS		IRQ5		TS10
K5	TRDATA2	P54	ALE/ D1[A1/D1]/ EDACK0	MTIOC4B/ TMC1	CTS2#/RTS2#/ SS2#/CTX1/ MOSIC-B		IRQ4		
K6		P53*1	BCLK		SSIRXD0/ PMC0-DS		IRQ3		TS12
K7		P51	WR1#/ BC1#/ WAIT#		SCK2/SSLB2-A		IRQ1		
K8	VCC								
K9	TRDATA0	P80	EDREQ0	MTIOC3B/ PO26	SCK10/RTS10#/ SCK010/ RTS010#/DE010	SDHI_WP/ QIO2-A	IRQ8		
K10	TRDATA6	P76	CS6#	PO22	SMISO11/ SSCL11/RXD11/ SMISO011/ SSCL011/ RXD011	SDHI_CMD- A/ QSSL-A	IRQ14		
K11		PB7	A15	MTIOC3B/ TIOCB5/PO31	TXD9/SMOSI9/ SSDA9/ SMOSI11/ SSDA11/TXD11/ SMOSI011/ SSDA011/ TXD011		IRQ15		
K12		PB6	A14	MTIOC3D/ TIOCA5/PO30	RXD9/SMISO9/ SSCL9/SMISO11/ SSCL11/RXD11/ SMISO011/ SSCL011/ RXD011		IRQ6		
K13		PB5	A13	MTIOC2A/ MTIOC1B/ TIOCB4/ TMRI1/PO29/ POE4#	SCK9/SCK11/ SCK011		IRQ13		
L1		P25	CS5#/ EDACK1	MTIOC4C/ MTCLKB/ TIOCA4/PO5	RXD3/SMISO3/ SSCL3	SDHI_CD	IRQ5	ADTRG0#	TS4/ CLKOUT
L2		P23	EDACK0	MTIOC3D/ MTCLKD/ TIOCD3/PO3	TXD3/CTS0#/ RTS0#/SMOSI3/ SS0#/SSDA3/ SSIBCK0	SDHI_D1-C	IRQ3		TS6

Table 1.6 List of Pin and Pin Functions (0.50-mm Pitch, 145-Pin TFLGA) (6/8)

Pin No.	Power Supply Clock System Control	I/O Port	Bus EXDMAC SDRAMC	Timer	Communication		Interrupt	A/D	Others (CTS, CLKOUT, Tamper detection)
				(MTU, TPU, TMR, PPG, RTC, CMTW, POE, CAC)	(SCI, RSCI, RSPI, RSPIA, RIIC, RIICHS, CAN, USB, SSIE, REMC)	(QSPIX, SDHI)			
L3		P16		MTIOC3C/ MTIOC3D/ TIOCB1/ TCLKC/ TMO2/PO14/ RTCOUT	TXD1/RXD3/ SMOS11/ SMISO3/SSDA1/ SSCL3/SCL2-DS/ USB0_VBUS/ USB0_VBUSEN/ USB0_OVRCUR B		IRQ6	ADTRG0#	
L4		P24	CS4#/ EDREQ1	MTIOC4A/ MTCLKA/ TIOCB4/ TMRI1/PO4	SCK3/ USB0_VBUSEN	SDHI_WP	IRQ12		TS5
L5		P13		MTIOC0B/ TIOCA5/ TMO3/PO13	TXD2/SMOSI2/ SSDA2/ SDA0[FM+]/ SDAHS0[FM+/ HS]		IRQ3	ADTRG1#	
L6		P56	EDACK1	MTIOC3C/ TIOCA1	SCK7/ RSPCKC-B		IRQ6		
L7		P52	RD#		RXD2/SMISO2/ SSCL2/SSLB3-A		IRQ2		
L8	TRCLK	P83	EDACK1	MTIOC4C	SS10#/CTS10#/ SCK10/SS010#/ CTS010#/ SCK010		IRQ3		
L9		PC5	D3[A3/D3]/ A21/CS2#/ WAIT#	MTIOC3B/ MTCLKD/ TMRI2/PO29	SCK8/SCK10/ RSPCKA-A/ SSIBCK0/ SCK010/ RSPCK0-A		IRQ5		TS14
L10		PC4	A20/CS3#	MTIOC3D/ MTCLKC/ TMC11/PO25/ POE0#	SCK5/CTS8#/ RTS8#/SS8#/ SS10#/CTS10#/ RTS10#/ SSLA0-A/ AUDIO_CLK/ SS010#/ CTS010#/ RTS010#/DE010/ SSL00-A	SDHI_D1-A/ QIO1-A	IRQ12		TSCAP
L11		PC2	A18	MTIOC4B/ TCLKA/PO21	RXD5/SMISO5/ SSCL5/SSLA3-A/ TXDB011/ SSL03-A	SDHI_D3-A	IRQ10		
L12	TRDATA4	P73	CS3#	PO16			IRQ8		
L13	VSS								
M1		P22	EDREQ0	MTIOC3B/ MTCLKC/ TIOCC3/ TMO0/PO2	SCK0/ USB0_OVRCUR B/ AUDIO_CLK	SDHI_D0-C	IRQ15		TS7
M2		P17		MTIOC3A/ MTIOC3B/ MTIOC4B/ TIOCB0/ TCLKD/ TMO1/PO15/ POE8#	SCK1/TXD3/ SMOSI3/SSDA3/ SDA2-DS/ SSITXD0	SDHI_D3-C	IRQ7	ADTRG1#	

Table 1.6 List of Pin and Pin Functions (0.50-mm Pitch, 145-Pin TFLGA) (7/8)

Pin No.	Power Supply Clock System Control	I/O Port	Bus EXDMAC SDRAMC	Timer	Communication		Interrupt	A/D	Others (CTSUs, CLKOUT, Tamper detection)
				(MTU, TPU, TMR, PPG, RTC, CMTW, POE, CAC)	(SCI, RSCI, RSPI, RSPIA, RIIC, RIICHS, CAN, USB, SSIE, REMC)	(QSPIX, SDHI)			
M3		P86		MTIOC4D/ TIOCA0	SMISO10/ SSCL10/RXD10/ SMISO010/ SSCL010/ RXD010		IRQ14		
M4		P12		MTIC5U/ TMC11	RXD2/SMISO2/ SSCL2/ SCL0[FM+]/ SCLHS0[FM+/ HS]		IRQ2		
M5	VCC_USB								
M6	VSS_USB								
M7		P50	WR0#/WR#		TXD2/SMOSI2/ SSDA2/SSLB1-A		IRQ0		
M8		PC6	D2[A2/D2]/ A22/CS1#	MTIOC3C/ MTCLKA/ TMC12/TIC0/ PO30	RXD8/SMISO8/ SSCL8/ SMISO10/ SSCL10/RXD10/ MOSIA-A/ SSILRCK0/ SMISO010/ SSCL010/ RXD010/ MOSI0-A		IRQ13		TS13
M9	TRDATA1	P81	EDACK0	MTIOC3D/ PO27	SMISO10/ SSCL10/RXD10/ SMISO010/ SSCL010/ RXD010	SDHI_CD/ QIO3-A	IRQ9		
M10	TRDATA7	P77	CS7#	PO23	SMOSI11/ SSDA11/TXD11/ SMOSI011/ SSDA011/ TXD011	SDHI_CLK- A/ QSPCLK-A	IRQ7		
M11		PC0	A16	MTIOC3C/ TCLKC/PO17	CTS5#/RTS5#/ SS5#/SSLA1-A/ RXD011/ SMISO011/ SSCL011/ SSL01-A		IRQ14		TS16
M12		PC1	A17	MTIOC3A/ TCLKD/PO18	SCK5/SSLA2-A/ TXD011/ SMOSI011/ SSDA011/ TXDA011/ SSL02-A		IRQ12		TS15
M13	VCC								
N1		P21		MTIOC1B/ MTIOC4A/ TIOCA3/ TMCIO/PO1	RXD0/SMISO0/ SSCL0/SCL1/ USB0_EXICEN/ SSILRCK0	SDHI_CLK-C	IRQ9		TS8
N2		P20		MTIOC1A/ TIOCB3/ TMRIO/PO0	TXD0/SMOSI0/ SSDA0/SDA1/ USB0_ID/ SSIRXD0	SDHI_CMD- C	IRQ8		TS9

**Table 1.6 List of Pin and Pin Functions (0.50-mm Pitch, 145-Pin TFLGA) (8/8)**

Pin No.	Power Supply Clock System Control	I/O Port	Bus EXDMAC SDRAMC	Timer	Communication		Interrupt	A/D	Others (CTSUs, CLKOUT, Tamper detection)
				(MTU, TPU, TMR, PPG, RTC, CMTW, POE, CAC)	(SCI, RSCI, RSPI, RSPIA, RIIC, RIICHS, CAN, USB, SSIE, REMC)	(QSPIX, SDHI)			
N3		P87		MTIOC4C/ TIOCA2	SMOSI10/ SSDA10/TXD10/ SMOSI010/ SSDA010/ TXD010	SDHI_D2-C	IRQ15		
N4		P14		MTIOC3A/ MTCLKA/ TIOCB5/ TCLKA/ TMRI2/PO15	CTS1#/RTS1#/ SS1#/CTX1/ USB0_OVRCUR A		IRQ4		TS11
N5		PH2		TMRI0	USB0_DM		IRQ1		
N6		PH1		TMO0	USB0_DP		IRQ0		
N7	TRDATA3	P55	D0[A0/D0]/ WAIT#/ EDREQ0	MTIOC4D/ TMO3	TXD7/SMOSI7/ SSDA7/CRX1/ MISOC-B		IRQ10		
N8	VSS								
N9	UB	PC7	A23/CS0#	MTIOC3A/ MTCLKB/ TMO2/TOC0/ PO31/ CACREF	TXD8/SMOSI8/ SSDA8/ SMOSI10/ SSDA10/TXD10/ MISOA-A/ SSITXD0/ SMOSI010/ SSDA010/ TXD010/ MISO0-A		IRQ14		
N10	TRSYNC	P82	EDREQ1	MTIOC4A/ PO28	SMOSI10/ SSDA10/TXD10/ SMOSI010/ SSDA010/ TXD010		IRQ2		
N11		PC3	A19	MTIOC4D/ TCLKB/PO24	TXD5/SMOSI5/ SSDA5/ PMC0-DS	SDHI_D0-A/ QIO0-A	IRQ11		
N12	TRSYNC1	P75	CS5#	PO20	SCK11/RTS11#/ SCK011/ RTS011#/DE011	SDHI_D2-A	IRQ13		
N13	TRDATA5	P74	A20/CS4#	PO19	SS11#/CTS11#/ SS011#/CTS011#		IRQ12		

Note 1. P53 is multiplexed with the BCLK pin function, so cannot be used as an I/O port pin when the external bus is enabled.

## 1.6.3 144-Pin LFQFP

Table 1.7 List of Pin and Pin Functions (144-Pin LFQFP) (1/8)

Pin No.	Power Supply Clock System Control	I/O Port	Bus EXDMAC SDRAMC	Timer	Communication		Interrupt	A/D	Others (CTSUs, CLKOUT, Tamper detection)
				(MTU, TPU, TMR, PPG, RTC, CMTW, POE, CAC)	(SCI, RSCI, RSPI, RSPIA, RIIC, RIICHS, CAN, USB, SSIE, REMC)	(QSPIX, SDHI)			
1	AVSS0								
2		P05					IRQ13		
3	AVCC1								
4		P03					IRQ11		
5	AVSS1								
6		P02		TMCI1	SCK6		IRQ10	AN109	
7		P01		TMCI0	RXD6/SMISO6/SSCL6		IRQ9	AN110	
8		P00		TMRI0	TXD6/SMOSI6/SSDA6		IRQ8	AN111	
9		PF5					IRQ4		
10	EMLE								
11		PJ5		POE8#	CTS2#/RTS2#/SS2#		IRQ13		
12	VSS								
13	EXCIN	PJ3	EDACK1	MTIOC3C	CTS6#/RTS6#/CTS0#/RTS0#/SS6#/SS0#		IRQ11		
14	VCL								
15	VBATT								
16	MD/FINED								
17	XCIN								
18	XCOUT								
19	RES#								
20	XTAL	P37							
21	VSS								
22	EXTAL	P36							
23	VCC								
24	UPSEL	P35					NMI		
25	TRST#	P34		MTIOC0A/ TMCI3/PO12/ POE10#	SCK6/SCK0		IRQ4		TS0
26		P33	EDREQ1	MTIOC0D/ TIOC0D/ TMRI3/PO11/ POE4#/ POE11#	RXD6/RXD0/ SMISO6/ SMISO0/SSCL6/ SSCL0/CRX0		IRQ3-DS		TS1
27		P32		MTIOC0C/ TIOCC0/ TMO3/PO10/ RTCOUT/ RTCIC2/ POE0#/ POE10#	TXD6/TXD0/ SMOSI6/ SMOSI0/SSDA6/ SSDA0/CTX0/ USB0_VBUSEN		IRQ2-DS		TAMPI2

Table 1.7 List of Pin and Pin Functions (144-Pin LQFP) (2/8)

Pin No.	Power Supply Clock System Control	I/O Port	Bus EXDMAC SDRAMC	Timer	Communication		Interrupt	A/D	Others (CTS, CLKOUT, Tamper detection)
				(MTU, TPU, TMR, PPG, RTC, CMTW, POE, CAC)	(SCI, RSCI, RSPI, RSPIA, RIIC, RIICHS, CAN, USB, SSIE, REMC)	(QSPIX, SDHI)			
28	TMS	P31		MTIOC4D/ TMCI2/PO9/ RTCIC1	CTS1#/RTS1#/ SS1#/SSLB0-A		IRQ1-DS		TAMP11
29	TDI	P30		MTIOC4B/ TMRI3/PO8/ RTCIC0/ POE8#	RXD1/SMISO1/ SSCL1/MISOB-A		IRQ0-DS		TAMP10
30	TCK	P27	CS7#	MTIOC2B/ TMCI3/PO7	SCK1/RSPCKB-A		IRQ7		TS2
31	TDO	P26	CS6#	MTIOC2A/ TMO1/PO6	TXD1/CTS3#/ RTS3#/SMOS11/ SS3#/SSDA1/ MOSIB-A		IRQ6		TS3
32		P25	CS5#/ EDACK1	MTIOC4C/ MTCLKB/ TIOCA4/PO5	RXD3/SMISO3/ SSCL3	SDHI_CD	IRQ5	ADTRG0#	TS4/ CLKOUT
33		P24	CS4#/ EDREQ1	MTIOC4A/ MTCLKA/ TIOCB4/ TMRI1/PO4	SCK3/ USB0_VBUSEN	SDHI_WP	IRQ12		TS5
34		P23	EDACK0	MTIOC3D/ MTCLKD/ TIOCD3/PO3	TXD3/CTS0#/ RTS0#/SMOS13/ SS0#/SSDA3/ SSIBCK0	SDHI_D1-C	IRQ3		TS6
35		P22	EDREQ0	MTIOC3B/ MTCLKC/ TIOCC3/ TMO0/PO2	SCK0/ USB0_OVRCUR B/ AUDIO_CLK	SDHI_D0-C	IRQ15		TS7
36		P21		MTIOC1B/ MTIOC4A/ TIOCA3/ TMCI0/PO1	RXD0/SMISO0/ SSCL0/SCL1/ USB0_EXICEN/ SSILRCK0	SDHI_CLK-C	IRQ9		TS8
37		P20		MTIOC1A/ TIOCB3/ TMRI0/PO0	TXD0/SMOS10/ SSDA0/SDA1/ USB0_ID/ SSIRXD0	SDHI_CMD-C	IRQ8		TS9
38		P17		MTIOC3A/ MTIOC3B/ MTIOC4B/ TIOCB0/ TCLKD/ TMO1/PO15/ POE8#	SCK1/TXD3/ SMOS13/SSDA3/ SDA2-DS/ SSITXD0	SDHI_D3-C	IRQ7	ADTRG1#	
39		P87		MTIOC4C/ TIOCA2	SMOS10/ SSDA10/TXD10/ SMOS1010/ SSDA010/ TXD010	SDHI_D2-C	IRQ15		
40		P16		MTIOC3C/ MTIOC3D/ TIOCB1/ TCLKC/ TMO2/PO14/ RTCOUT	TXD1/RXD3/ SMOS11/ SMISO3/SSDA1/ SSCL3/SCL2-DS/ USB0_VBUS/ USB0_VBUSEN/ USB0_OVRCUR B		IRQ6	ADTRG0#	

Table 1.7 List of Pin and Pin Functions (144-Pin LQFP) (3/8)

Pin No.	Power Supply Clock System Control	I/O Port	Bus EXDMAC SDRAMC	Timer	Communication		Interrupt	A/D	Others (CTS, CLKOUT, Tamper detection)
				(MTU, TPU, TMR, PPG, RTC, CMTW, POE, CAC)	(SCI, RSCI, RSPI, RSPIA, RIIC, RIICHS, CAN, USB, SSIE, REMC)	(QSPIX, SDHI)			
41		P86		MTIOC4D/ TIOCA0	SMISO10/ SSCL10/RXD10/ SMISO010/ SSCL010/ RXD010		IRQ14		
42		P15		MTIOC0B/ MTCLKB/ TIOCB2/ TCLKB/ TMCI2/PO13	RXD1/SCK3/ SMISO1/SSCL1/ CRX1-DS		IRQ5		TS10
43		P14		MTIOC3A/ MTCLKA/ TIOCB5/ TCLKA/ TMRI2/PO15	CTS1#/RTS1#/ SS1#/CTX1/ USB0_OVRCUR A		IRQ4		TS11
44		P13		MTIOC0B/ TIOCA5/ TMO3/PO13	TXD2/SMOSI2/ SSDA2/ SDA0[FM+]/ SDAHS0[FM+/ HS]		IRQ3	ADTRG1#	
45		P12		MTIC5U/ TMCI1	RXD2/SMISO2/ SSCL2/ SCL0[FM+]/ SCLHS0[FM+/ HS]		IRQ2		
46	VCC_USB								
47		PH2		TMRI0	USB0_DM		IRQ1		
48		PH1		TMO0	USB0_DP		IRQ0		
49	VSS_USB								
50		P56	EDACK1	MTIOC3C/ TIOCA1	SCK7/ RSPCKC-B		IRQ6		
51	TRDATA3	P55	D0[A0/D0]/ WAIT#/ EDREQ0	MTIOC4D/ TMO3	TXD7/SMOSI7/ SSDA7/CRX1/ MISOC-B		IRQ10		
52	TRDATA2	P54	ALE/ D1[A1/D1]/ EDACK0	MTIOC4B/ TMCI1	CTS2#/RTS2#/ SS2#/CTX1/ MOSIC-B		IRQ4		
53		P53*1	BCLK		SSIRXD0/ PMC0-DS		IRQ3		TS12
54		P52	RD#		RXD2/SMISO2/ SSCL2/SSLB3-A		IRQ2		
55		P51	WR1#/ BC1#/ WAIT#		SCK2/SSLB2-A		IRQ1		
56		P50	WR0#/WR#		TXD2/SMOSI2/ SSDA2/SSLB1-A		IRQ0		
57	VSS								
58	TRCLK	P83	EDACK1	MTIOC4C	SS10#/CTS10#/ SCK10/SS010#/ CTS010#/ SCK010		IRQ3		
59	VCC								



Table 1.7 List of Pin and Pin Functions (144-Pin LQFP) (4/8)

Pin No.	Power Supply Clock System Control	I/O Port	Bus EXDMAC SDRAMC	Timer	Communication		Interrupt	A/D	Others (CTSU, CLKOUT, Tamper detection)
				(MTU, TPU, TMR, PPG, RTC, CMTW, POE, CAC)	(SCI, RSCI, RSPI, RSPIA, RIIC, RIICHS, CAN, USB, SSIE, REMC)	(QSPIX, SDHI)			
60	UB	PC7	A23/CS0#	MTIOC3A/ MTCLKB/ TMO2/TOC0/ PO31/ CACREF	TXD8/SMOSI8/ SSDA8/ SMOSI10/ SSDA10/TXD10/ MISOA-A/ SSITXD0/ SMOSI010/ SSDA010/ TXD010/ MISO0-A		IRQ14		
61		PC6	D2[A2/D2]/ A22/CS1#	MTIOC3C/ MTCLKA/ TMCI2/TIC0/ PO30	RXD8/SMISO8/ SSCL8/ SMISO10/ SSCL10/RXD10/ MOSIA-A/ SSILRCK0/ SMISO010/ SSCL010/ RXD010/ MOSI0-A		IRQ13		TS13
62		PC5	D3[A3/D3]/ A21/CS2#/ WAIT#	MTIOC3B/ MTCLKD/ TMRI2/PO29	SCK8/SCK10/ RSPCKA-A/ SSIBCK0/ SCK010/ RSPCK0-A		IRQ5		TS14
63	TRSYNC	P82	EDREQ1	MTIOC4A/ PO28	SMOSI10/ SSDA10/TXD10/ SMOSI010/ SSDA010/ TXD010		IRQ2		
64	TRDATA1	P81	EDACK0	MTIOC3D/ PO27	SMISO10/ SSCL10/RXD10/ SMISO010/ SSCL010/ RXD010	SDHI_CD/ QIO3-A	IRQ9		
65	TRDATA0	P80	EDREQ0	MTIOC3B/ PO26	SCK10/RTS10#/ SCK010/ RTS010#/DE010	SDHI_WP/ QIO2-A	IRQ8		
66		PC4	A20/CS3#	MTIOC3D/ MTCLKC/ TMCI1/PO25/ POE0#	SCK5/CTS8#/ RTS8#/SS8#/ SS10#/CTS10#/ RTS10#/ SSLA0-A/ AUDIO_CLK/ SS010#/ CTS010#/ RTS010#/DE010/ SSL00-A	SDHI_D1-A/ QIO1-A	IRQ12		TSCAP
67		PC3	A19	MTIOC4D/ TCLKB/PO24	TXD5/SMOSI5/ SSDA5/ PMC0-DS	SDHI_D0-A/ QIO0-A	IRQ11		
68	TRDATA7	P77	CS7#	PO23	SMOSI11/ SSDA11/TXD11/ SMOSI011/ SSDA011/ TXD011	SDHI_CLK- A/ QSPCLK-A	IRQ7		

Table 1.7 List of Pin and Pin Functions (144-Pin LQFP) (5/8)

Pin No.	Power Supply Clock System Control	I/O Port	Bus EXDMAC SDRAMC	Timer	Communication		Interrupt	A/D	Others (CTS, CLKOUT, Tamper detection)
				(MTU, TPU, TMR, PPG, RTC, CMTW, POE, CAC)	(SCI, RSCI, RSPI, RSPIA, RIIC, RIICHS, CAN, USB, SSIE, REMC)	(QSPIX, SDHI)			
69	TRDATA6	P76	CS6#	PO22	SMISO11/ SSCL11/RXD11/ SMISO011/ SSCL011/ RXD011	SDHI_CMD-A/ QSSL-A	IRQ14		
70		PC2	A18	MTIOC4B/ TCLKA/PO21	RXD5/SMISO5/ SSCL5/SSLA3-A/ TXDB011/ SSL03-A	SDHI_D3-A	IRQ10		
71	TRSYNC1	P75	CS5#	PO20	SCK11/RTS11#/ SCK011/ RTS011#/DE011	SDHI_D2-A	IRQ13		
72	TRDATA5	P74	A20/CS4#	PO19	SS11#/CTS11#/ SS011#/CTS011#		IRQ12		
73		PC1	A17	MTIOC3A/ TCLKD/PO18	SCK5/SSLA2-A/ TXD011/ SMOSI011/ SSDA011/ TXDA011/ SSL02-A		IRQ12		TS15
74	VCC								
75		PC0	A16	MTIOC3C/ TCLKC/PO17	CTS5#/RTS5#/ SS5#/SSLA1-A/ RXD011/ SMISO011/ SSCL011/ SSL01-A		IRQ14		TS16
76	VSS								
77	TRDATA4	P73	CS3#	PO16			IRQ8		
78		PB7	A15	MTIOC3B/ TIOCB5/PO31	TXD9/SMOSI9/ SSDA9/ SMOSI11/ SSDA11/TXD11/ SMOSI011/ SSDA011/ TXD011		IRQ15		
79		PB6	A14	MTIOC3D/ TIOCA5/PO30	RXD9/SMISO9/ SSCL9/SMISO11/ SSCL11/RXD11/ SMISO011/ SSCL011/ RXD011		IRQ6		
80		PB5	A13	MTIOC2A/ MTIOC1B/ TIOCB4/ TMRI1/PO29/ POE4#	SCK9/SCK11/ SCK011		IRQ13		
81		PB4	A12	TIOCA4/PO28	CTS9#/RTS9#/ SS9#/SS11#/ CTS11#/RTS11#/ SS011#/ CTS011#/ RTS011#/DE011		IRQ4		

Table 1.7 List of Pin and Pin Functions (144-Pin LQFP) (6/8)

Pin No.	Power Supply Clock System Control	I/O Port	Bus EXDMAC SDRAMC	Timer	Communication		Interrupt	A/D	Others (CTS, CLKOUT, Tamper detection)
				(MTU, TPU, TMR, PPG, RTC, CMTW, POE, CAC)	(SCI, RSCI, RSPI, RSPIA, RIIC, RIICHS, CAN, USB, SSIE, REMC)	(QSPIX, SDHI)			
82		PB3	A11	MTIOC0A/ MTIOC4A/ TIOCD3/ TCLKD/ TMO0/PO27/ POE11#	SCK4/SCK6/ PMC0-DS		IRQ3		
83		PB2	A10	TIOCC3/ TCLKC/PO26	CTS4#/RTS4#/ CTS6#/RTS6#/ SS4#/SS6#		IRQ2		
84		PB1	A9	MTIOC0C/ MTIOC4C/ TIOCB3/ TMCIO/PO25	TXD4/TXD6/ SMOSI4/ SMOSI6/SSDA4/ SSDA6		IRQ4-DS		
85		P72	A19/CS2#				IRQ10		
86		P71	A18/CS1#				IRQ1		
87		PB0	A8	MTIC5W/ TIOCA3/PO24	RXD4/RXD6/ SMISO4/ SMISO6/SSCL4/ SSCL6		IRQ12		
88		PA7	A7	TIOCB2/PO23	MISOA-B/ MISO0-B		IRQ7		
89		PA6	A6	MTIC5V/ MTCLKB/ TIOCA2/ TMCIO3/PO22/ POE10#	CTS5#/RTS5#/ SS5#/MOSIA-B/ MOSIO-B/ CTS12#/RTS12#/ SS12#		IRQ14		
90		PA5	A5	MTIOC6B/ TIOCB1/PO21	RSPCKA-B/ RSPCK0-B		IRQ5		
91	VCC								
92		PA4	A4	MTIC5U/ MTCLKA/ TIOCA1/ TMRI0/PO20	TXD5/SMOSI5/ SSDA5/SSLA0-B/ SSL00-B/TXD12/ SMOSI12/ SSDA12/ TXDX12/SIOX12		IRQ5-DS		
93	VSS								
94		PA3	A3	MTIOC0D/ MTCLKD/ TIOCD0/ TCLKB/PO19	RXD5/SMISO5/ SSCL5		IRQ6-DS		
95		PA2	A2	MTIOC7A/ PO18	RXD5/SMISO5/ SSCL5/SSLA3-B/ SSL03-B/RXD12/ SMISO12/ SSCL12/RDX12	SDHI_WP	IRQ10		
96		PA1	A1	MTIOC0B/ MTCLKC/ MTIOC7B/ TIOCB0/PO17	SCK5/SSLA2-B/ SSL02-B/SCK12	SDHI_CD	IRQ11		
97		PA0	A0/BC0#	MTIOC4A/ MTIOC6D/ TIOCA0/ CACREF/ PO16	SSLA1-B/ SSL01-B		IRQ0		

Table 1.7 List of Pin and Pin Functions (144-Pin LFQFP) (7/8)

Pin No.	Power Supply Clock System Control	I/O Port	Bus EXDMAC SDRAMC	Timer	Communication		Interrupt	A/D	Others (CTSU, CLKOUT, Tamper detection)
				(MTU, TPU, TMR, PPG, RTC, CMTW, POE, CAC)	(SCI, RSCI, RSPI, RSPIA, RIIC, RIICHS, CAN, USB, SSIE, REMC)	(QSPIX, SDHI)			
98		P67	CS7#/DQM1	MTIOC7C			IRQ15		
99		P66	CS6#/DQM0	MTIOC7D			IRQ14		
100		P65	CS5#/CKE				IRQ13		
101		PE7	D15[A15/D15]/D7[A7/D7]	MTIOC6A/TOC1	MISOB-B	SDHI_WP/SDHI_D1-B/QIO1-B	IRQ7		
102		PE6	D14[A14/D14]/D6[A6/D6]	MTIOC6C/TIC1	MOSIB-B	SDHI_CD/SDHI_D0-B/QIO0-B	IRQ6		
103	VCC								
104		P70	SDCLK				IRQ0		
105	VSS								
106		PE5	D13[A13/D13]/D5[A5/D5]	MTIOC4C/MTIOC2B	RSPCKB-B		IRQ5		
107		PE4	D12[A12/D12]/D4[A4/D4]	MTIOC4D/MTIOC1A/PO28	SSLB0-B		IRQ12		
108		PE3	D11[A11/D11]/D3[A3/D3]	MTIOC4B/PO26/POE8#/TOC3	CTS12#/RTS12#/SS12#		IRQ11		
109		PE2	D10[A10/D10]/D2[A2/D2]	MTIOC4A/PO23/TIC3	RXD12/SMISO12/SSCL12/RXDX12/SSLB3-B		IRQ7-DS		
110		PE1	D9[A9/D9]/D1[A1/D1]	MTIOC4C/MTIOC3B/PO18	TXD12/SMOSI12/SSDA12/TXDX12/SIOX12/SSLB2-B		IRQ9	ANEX1	
111		PE0	D8[A8/D8]/D0[A0/D0]	MTIOC3D	SCK12/SSLB1-B		IRQ8	ANEX0	
112		P64	CS4#/WE#/D3[A3/D3]				IRQ4		
113		P63	CS3#/CAS#/D2[A2/D2]				IRQ3		
114		P62	CS2#/RAS#/D1[A1/D1]				IRQ2		
115		P61	CS1#/SDCS#/D0[A0/D0]				IRQ1		
116	VSS								
117		P60	CS0#				IRQ0		
118	VCC								
119		PD7	D7[A7/D7]	MTIC5U/POE0#	SSLC3-A	SDHI_D1-B/QIO1-B	IRQ7	AN100	
120		PD6	D6[A6/D6]	MTIC5V/MTIOC8A/POE4#	SSLC2-A	SDHI_D0-B/QIO0-B	IRQ6	AN101	

**Table 1.7 List of Pin and Pin Functions (144-Pin LQFP) (8/8)**

Pin No.	Power Supply Clock System Control	I/O Port	Bus EXDMAC SDRAMC	Timer	Communication		Interrupt	A/D	Others (CTSU, CLKOUT, Tamper detection)
				(MTU, TPU, TMR, PPG, RTC, CMTW, POE, CAC)	(SCI, RSCI, RSPI, RSPIA, RIIC, RIICHS, CAN, USB, SSIE, REMC)	(QSPIX, SDHI)			
121		PD5	D5[A5/D5]	MTIOC5W/ MTIOC8C/ POE10#	SSLC1-A	SDHI_CLK-B/ QSPCLK-B	IRQ5	AN102	
122		PD4	D4[A4/D4]	MTIOC8B/ POE11#	SSLC0-A	SDHI_CMD-B/ QSSL-B	IRQ4	AN103	
123		PD3	D3[A3/D3]	MTIOC8D/ POE8#/TOC2	RSPCKC-A	SDHI_D3-B/ QIO3-B	IRQ3	AN104	
124		PD2	D2[A2/D2]	MTIOC4D/ TIC2	CRX0/MISOC-A	SDHI_D2-B/ QIO2-B	IRQ2	AN105	
125		PD1	D1[A1/D1]	MTIOC4B/ POE0#	CTX0/MOSIC-A		IRQ1	AN106	
126		PD0	D0[A0/D0]	POE4#			IRQ0	AN107	
127		P93	A19	POE0#	CTS7#/RTS7#/ SS7#		IRQ11		
128		P92	A18	POE4#	RXD7/SMISO7/ SSCL7		IRQ10		
129		P91	A17		SCK7		IRQ9		
130	VSS								
131		P90	A16		TXD7/SMOSI7/ SSDA7		IRQ0	AN108	
132	VCC								
133		P47					IRQ15-DS	AN007	
134		P46					IRQ14-DS	AN006	
135		P45					IRQ13-DS	AN005	
136		P44					IRQ12-DS	AN004	
137		P43					IRQ11-DS	AN003	
138		P42					IRQ10-DS	AN002	
139		P41					IRQ9-DS	AN001	
140	VREFL0								
141		P40					IRQ8-DS	AN000	
142	VREFH0								
143	AVCC0								
144		P07					IRQ15	ADTRG0#	

Note 1. P53 is multiplexed with the BCLK pin function, so cannot be used as an I/O port pin when the external bus is enabled.

## 1.6.4 100-Pin TFLGA

Table 1.8 List of Pin and Pin Functions (100-Pin TFLGA) (1/6)

Pin No.	Power Supply Clock System Control	I/O Port	Bus EXDMAC	Timer	Communication		Interrupt	A/D	Others (CTS, CLKOUT, Tamper detection)
				(MTU, TPU, TMR, PPG, RTC, CMTW, POE, CAC)	(SCI, RSCI, RSPI, RSPIA, RIIC, RIICHS, CAN, USB, SSIE, REMC)	(QSPIX, SDHI)			
A1		P05					IRQ13		
A2	AVCC1								
A3		P07					IRQ15	ADTRG0#	
A4	VREFL0								
A5		P43					IRQ11-DS	AN003	
A6		PD0	D0[A0/D0]	POE4#			IRQ0	AN107	
A7		PD4	D4[A4/D4]	MTIOC8B/ POE11#	SSLC0-A	SDHI_CMD- B/ QSSL-B	IRQ4	AN103	
A8		PE0	D8[A8/D8]/ D0[A0/D0]	MTIOC3D	SCK12/SSLB1-B		IRQ8	ANEX0	
A9		PE1	D9[A9/D9]/ D1[A1/D1]	MTIOC4C/ MTIOC3B/ PO18	TXD12/SMOSI12/ SSDA12/TXD12/ SIOX12/SSLB2-B		IRQ9	ANEX1	
A10		PE2	D10[A10/ D10]/ D2[A2/D2]	MTIOC4A/ PO23/TIC3	RXD12/SMISO12/ SSCL12/RXD12/ SSLB3-B		IRQ7-DS		
B1	EMLE								
B2	AVSS0								
B3	AVCC0								
B4		P40					IRQ8-DS	AN000	
B5		P44					IRQ12-DS	AN004	
B6		PD1	D1[A1/D1]	MTIOC4B/ POE0#	CTX0/MOSIC-A		IRQ1	AN106	
B7		PD3	D3[A3/D3]	MTIOC8D/ POE8#/TOC2	RSPCKC-A	SDHI_D3-B/ QIO3-B	IRQ3	AN104	
B8		PD6	D6[A6/D6]	MTIC5V/ MTIOC8A/ POE4#	SSLC2-A	SDHI_D0-B/ QIO0-B	IRQ6	AN101	
B9		PD7	D7[A7/D7]	MTIC5U/ POE0#	SSLC3-A	SDHI_D1-B/ QIO1-B	IRQ7	AN100	
B10		PE3	D11[A11/ D11]/ D3[A3/D3]	MTIOC4B/ PO26/POE8#/ TOC3	CTS12#/RTS12#/ SS12#		IRQ11		
C1	VCL								
C2	AVSS1								
C3	EXCIN	PJ3	EDACK1	MTIOC3C	CTS6#/RTS6#/ CTS0#/RTS0#/ SS6#/SS0#		IRQ11		
C4	VREFH0								
C5		P42					IRQ10-DS	AN002	
C6		P47					IRQ15-DS	AN007	
C7		PD2	D2[A2/D2]	MTIOC4D/ TIC2	CRX0/MISOC-A	SDHI_D2-B/ QIO2-B	IRQ2	AN105	

Table 1.8 List of Pin and Pin Functions (100-Pin TFLGA) (2/6)

Pin No.	Power Supply Clock System Control	I/O Port	Bus EXDMAC	Timer	Communication		Interrupt	A/D	Others (CTS, CLKOUT, Tamper detection)
				(MTU, TPU, TMR, PPG, RTC, CMTW, POE, CAC)	(SCI, RSCI, RSPI, RSPIA, RIIC, RIICHS, CAN, USB, SSIE, REMC)	(QSPIX, SDHI)			
C8		PD5	D5[A5/D5]	MTIC5W/ MTIOC8C/ POE10#	SSLC1-A	SDHI_CLK- B/ QSPCLK-B	IRQ5	AN102	
C9		PE5	D13[A13/ D13]/ D5[A5/D5]	MTIOC4C/ MTIOC2B	RSPCKB-B		IRQ5		
C10		PE4	D12[A12/ D12]/ D4[A4/D4]	MTIOC4D/ MTIOC1A/ PO28	SSLB0-B		IRQ12		
D1	XCIN								
D2	XCOUT								
D3	MD/FINED								
D4	VBATT								
D5		P45					IRQ13-DS	AN005	
D6		P46					IRQ14-DS	AN006	
D7		PE6	D14[A14/ D14]/ D6[A6/D6]	MTIOC6C/ TIC1	MOSIB-B	SDHI_CD/ SDHI_D0-B/ QIO0-B	IRQ6		
D8		PE7	D15[A15/ D15]/ D7[A7/D7]	MTIOC6A/ TOC1	MISOB-B	SDHI_WP/ SDHI_D1-B/ QIO1-B	IRQ7		
D9		PA1	A1	MTIOC0B/ MTCLKC/ MTIOC7B/ TIOCB0/PO17	SCK5/SSLA2-B/ SSL02-B/SCK12	SDHI_CD	IRQ11		
D10		PA0	A0/BC0#	MTIOC4A/ MTIOC6D/ TIOCA0/ CACREF/ PO16	SSLA1-B/ SSL01-B		IRQ0		
E1	XTAL	P37							
E2	VSS								
E3	RES#								
E4	TRST#	P34		MTIOC0A/ TMCI3/PO12/ POE10#	SCK6/SCK0		IRQ4		TS0
E5		P41					IRQ9-DS	AN001	
E6		PA2	A2	MTIOC7A/ PO18	RXD5/SMISO5/ SSCL5/SSLA3-B/ SSL03-B/RXD12/ SMISO12/ SSCL12/RXD12	SDHI_WP	IRQ10		
E7		PA6	A6	MTIC5V/ MTCLKB/ TIOCA2/ TMCI3/PO22/ POE10#	CTS5#/RTS5#/ SS5#/MOSIA-B/ MOSIO-B/CTS12#/ RTS12#/SS12#		IRQ14		
E8		PA4	A4	MTIC5U/ MTCLKA/ TIOCA1/ TMRI0/PO20	TXD5/SMOSI5/ SSDA5/SSLA0-B/ SSL00-B/TXD12/ SMOSI12/ SSDA12/TXD12/ SIOX12		IRQ5-DS		

Table 1.8 List of Pin and Pin Functions (100-Pin TFLGA) (3/6)

Pin No.	Power Supply Clock System Control	I/O Port	Bus EXDMAC	Timer	Communication		Interrupt	A/D	Others (CTSU, CLKOUT, Tamper detection)
				(MTU, TPU, TMR, PPG, RTC, CMTW, POE, CAC)	(SCI, RSCI, RSPI, RSPIA, RIIC, RIICHS, CAN, USB, SSIE, REMC)	(QSPIX, SDHI)			
E9		PA5	A5	MTIOC6B/ TIOCB1/PO21	RSPCKA-B/ RSPCK0-B		IRQ5		
E10		PA3	A3	MTIOC0D/ MTCLKD/ TIOCD0/ TCLKB/PO19	RXD5/SMISO5/ SSCL5		IRQ6-DS		
F1	EXTAL	P36							
F2	VCC								
F3	UPSEL	P35					NMI		
F4		P32		MTIOC0C/ TIOCC0/ TMO3/PO10/ RTCOUT/ RTCIC2/ POE0#/ POE10#	TXD6/TXD0/ SMOSI6/SMOSI0/ SSDA6/SSDA0/ CTX0/ USB0_VBUSEN		IRQ2-DS		TAMPI2
F5		P12		MTIC5U/ TMC11	RXD2/SMISO2/ SSCL2/ SCL0[FM+]/ SCLHS0[FM+/HS]		IRQ2		
F6		PB3	A11	MTIOC0A/ MTIOC4A/ TIOCD3/ TCLKD/ TMO0/PO27/ POE11#	SCK6/PMC0-DS		IRQ3		
F7		PB2	A10	TIOCC3/ TCLKC/PO26	CTS6#/RTS6#/ SS6#		IRQ2		
F8		PB0	A8	MTIC5W/ TIOCA3/PO24	RXD6/SMISO6/ SSCL6		IRQ12		
F9		PA7	A7	TIOCB2/PO23	MISOA-B/ MISO0-B		IRQ7		
F10	VSS								
G1		P33	EDREQ1	MTIOC0D/ TIOCD0/ TMRI3/PO11/ POE4#/ POE11#	RXD6/RXD0/ SMISO6/SMISO0/ SSCL6/SSCL0/ CRX0		IRQ3-DS		TS1
G2	TMS	P31		MTIOC4D/ TMC12/PO9/ RTCIC1	CTS1#/RTS1#/ SS1#/SSLB0-A		IRQ1-DS		TAMPI1
G3	TDI	P30		MTIOC4B/ TMRI3/PO8/ RTCIC0/ POE8#	RXD1/SMISO1/ SSCL1/MISOB-A		IRQ0-DS		TAMPI0
G4	TCK	P27	CS7#	MTIOC2B/ TMC13/PO7	SCK1/RSPCKB-A		IRQ7		TS2
G5		P53*1	BCLK		SSIRXD0/ PMC0-DS		IRQ3		TS12
G6		P52	RD#		RXD2/SMISO2/ SSCL2/SSLB3-A		IRQ2		



Table 1.8 List of Pin and Pin Functions (100-Pin TFLGA) (4/6)

Pin No.	Power Supply Clock System Control	I/O Port	Bus EXDMAC	Timer	Communication		Interrupt	A/D	Others (CTS, CLKOUT, Tamper detection)
				(MTU, TPU, TMR, PPG, RTC, CMTW, POE, CAC)	(SCI, RSCI, RSPI, RSPIA, RIIC, RIICHS, CAN, USB, SSIE, REMC)	(QSPIX, SDHI)			
G7		PB5	A13	MTIOC2A/ MTIOC1B/ TIOCB4/ TMRI1/PO29/ POE4#	SCK9/SCK11/ SCK011		IRQ13		
G8		PB4	A12	TIOCA4/PO28	CTS9#/RTS9#/ SS9#/SS11#/ CTS11#/RTS11#/ SS011#/CTS011#/ RTS011#/DE011		IRQ4		
G9		PB1	A9	MTIOC0C/ MTIOC4C/ TIOCB3/ TMCI0/PO25	TXD6/SMOSI6/ SSDA6		IRQ4-DS		
G10	VCC								
H1	TDO	P26	CS6#	MTIOC2A/ TMO1/PO6	TXD1/CTS3#/ RTS3#/SMOSI1/ SS3#/SSDA1/ MOSIB-A		IRQ6		TS3
H2		P25	CS5#/ EDACK1	MTIOC4C/ MTCLKB/ TIOCA4/PO5	RXD3/SMISO3/ SSCL3	SDHI_CD	IRQ5	ADTRG0#	TS4/ CLKOUT
H3		P16		MTIOC3C/ MTIOC3D/ TIOCB1/ TCLKC/ TMO2/PO14/ RTCOUT	TXD1/RXD3/ SMOSI1/SMISO3/ SSDA1/SSCL3/ SCL2-DS/ USB0_VBUS/ USB0_VBUSEN/ USB0_OVRCURB		IRQ6	ADTRG0#	
H4		P15		MTIOC0B/ MTCLKB/ TIOCB2/ TCLKB/ TMCI2/PO13	RXD1/SCK3/ SMISO1/SSCL1/ CRX1-DS		IRQ5		TS10
H5		P55	D0[A0/D0]/ WAIT#/ EDREQ0	MTIOC4D/ TMO3	CRX1/MISOC-B		IRQ10		
H6		P54	ALE/ D1[A1/D1]/ EDACK0	MTIOC4B/ TMCI1	CTS2#/RTS2#/ SS2#/CTX1/ MOSIC-B		IRQ4		
H7	UB	PC7	A23/CS0#	MTIOC3A/ MTCLKB/ TMO2/TOC0/ PO31/ CACREF	TXD8/SMOSI8/ SSDA8/SMOSI10/ SSDA10/TXD10/ MISOA-A/ SSITXD0/ SMOSI010/ SSDA010/ TXD010/MISO0-A		IRQ14		
H8		PC6	D2[A2/D2]/ A22/CS1#	MTIOC3C/ MTCLKA/ TMCI2/TIC0/ PO30	RXD8/SMISO8/ SSCL8/SMISO10/ SSCL10/RXD10/ MOSIA-A/ SSILRCK0/ SMISO010/ SSCL010/ RXD010/MOSI0-A		IRQ13		TS13

Table 1.8 List of Pin and Pin Functions (100-Pin TFLGA) (5/6)

Pin No.	Power Supply Clock System Control	I/O Port	Bus EXDMAC	Timer	Communication		Interrupt	A/D	Others (CTS, CLKOUT, Tamper detection)
				(MTU, TPU, TMR, PPG, RTC, CMTW, POE, CAC)	(SCI, RSCI, RSPI, RSPIA, RIIC, RIICHS, CAN, USB, SSIE, REMC)	(QSPIX, SDHI)			
H9		PB6	A14	MTIOC3D/ TIOCA5/PO30	RXD9/SMISO9/ SSCL9/SMISO11/ SSCL11/RXD11/ SMISO011/ SSCL011/RXD011		IRQ6		
H10		PB7	A15	MTIOC3B/ TIOCB5/PO31	TXD9/SMOSI9/ SSDA9/SMOSI11/ SSDA11/TXD11/ SMOSI011/ SSDA011/TXD011		IRQ15		
J1		P24	CS4#/ EDREQ1	MTIOC4A/ MTCLKA/ TIOCB4/ TMRI1/PO4	SCK3/ USB0_VBUSEN	SDHI_WP	IRQ12		TS5
J2		P21		MTIOC1B/ MTIOC4A/ TIOCA3/ TMCI0/PO1	RXD0/SMISO0/ SSCL0/SCL1/ USB0_EXICEN/ SSILRCK0	SDHI_CLK-C	IRQ9		TS8
J3		P17		MTIOC3A/ MTIOC3B/ MTIOC4B/ TIOCB0/ TCLKD/ TMO1/PO15/ POE8#	SCK1/TXD3/ SMOSI3/SSDA3/ SDA2-DS/ SSITXD0	SDHI_D3-C	IRQ7	ADTRG1#	
J4		P13		MTIOC0B/ TIOCA5/ TMO3/PO13	TXD2/SMOSI2/ SSDA2/ SDA0[FM+]/ SDAHS0[FM+/HS]		IRQ3	ADTRG1#	
J5	VSS_USB								
J6	VCC_USB								
J7		P50	WR0#/WR#		TXD2/SMOSI2/ SSDA2/SSLB1-A		IRQ0		
J8		PC4	A20/CS3#	MTIOC3D/ MTCLKC/ TMCI1/PO25/ POE0#	SCK5/CTS8#/ RTS8#/SS8#/ SS10#/CTS10#/ RTS10#/SSLA0-A/ AUDIO_CLK/ SS010#/CTS010#/ RTS010#/DE010/ SSL00-A	SDHI_D1-A/ QIO1-A	IRQ12		TSCAP
J9		PC0	A16	MTIOC3C/ TCLKC/PO17	CTS5#/RTS5#/ SS5#/SSLA1-A/ RXD011/ SMISO011/ SSCL011/ SSL01-A		IRQ14		TS16
J10		PC1	A17	MTIOC3A/ TCLKD/PO18	SCK5/SSLA2-A/ TXD011/ SMOSI011/ SSDA011/ TXDA011/ SSL02-A		IRQ12		TS15
K1		P23	EDACK0	MTIOC3D/ MTCLKD/ TIOCD3/PO3	TXD3/CTS0#/ RTS0#/SMOSI3/ SS0#/SSDA3/ SSIBCK0	SDHI_D1-C	IRQ3		TS6

Table 1.8 List of Pin and Pin Functions (100-Pin TFLGA) (6/6)

Pin No.	Power Supply Clock System Control	I/O Port	Bus EXDMAC	Timer	Communication		Interrupt	A/D	Others (CTSU, CLKOUT, Tamper detection)
				(MTU, TPU, TMR, PPG, RTC, CMTW, POE, CAC)	(SCI, RSCI, RSPI, RSPIA, RIIC, RIICHS, CAN, USB, SSIE, REMC)	(QSPIX, SDHI)			
K2		P22	EDREQ0	MTIOC3B/ MTCLKC/ TIOCC3/ TMO0/PO2	SCK0/ USB0_OVRCURB / AUDIO_CLK	SDHI_D0-C	IRQ15		TS7
K3		P20		MTIOC1A/ TIOCB3/ TMRI0/PO0	TXD0/SMOSI0/ SSDA0/SDA1/ USB0_ID/ SSIRXD0	SDHI_CMD-C	IRQ8		TS9
K4		P14		MTIOC3A/ MTCLKA/ TIOCB5/ TCLKA/ TMRI2/PO15	CTS1#/RTS1#/ SS1#/CTX1/ USB0_OVRCURA		IRQ4		TS11
K5		PH2		TMRI0	USB0_DM		IRQ1		
K6		PH1		TMO0	USB0_DP		IRQ0		
K7		P51	WR1#/ BC1#/ WAIT#		SCK2/SSLB2-A		IRQ1		
K8		PC5	D3[A3/D3]/ A21/CS2#/ WAIT#	MTIOC3B/ MTCLKD/ TMRI2/PO29	SCK8/SCK10/ RSPCKA-A/ SSIBCK0/ SCK010/ RSPCK0-A		IRQ5		TS14
K9		PC3	A19	MTIOC4D/ TCLKB/PO24	TXD5/SMOSI5/ SSDA5/PMC0-DS	SDHI_D0-A/ QIO0-A	IRQ11		
K10		PC2	A18	MTIOC4B/ TCLKA/PO21	RXD5/SMISO5/ SSCL5/SSLA3-A/ TXDB011/ SSL03-A	SDHI_D3-A	IRQ10		

Note 1. P53 is multiplexed with the BCLK pin function, so cannot be used as an I/O port pin when the external bus is enabled.

## 1.6.5 100-Pin LFQFP

Table 1.9 List of Pin and Pin Functions (100-Pin LFQFP) (1/6)

Pin No.	Power Supply Clock System Control	I/O Port	Bus EXDMAC	Timer	Communication		Interrupt	A/D	Others (CTS, CLKOUT, Tamper detection)
				(MTU, TPU, TMR, PPG, RTC, CMTW, POE, CAC)	(SCI, RSCI, RSPI, RSPIA, RIIC, RIICHS, CAN, USB, SSIE, REMC)	(QSPIX, SDHI)			
1	AVCC1								
2	EMLE								
3	AVSS1								
4	EXCIN	PJ3	EDACK1	MTIOC3C	CTS6#/RTS6#/ CTS0#/RTS0#/ SS6#/SS0#		IRQ11		
5	VCL								
6	VBATT								
7	MD/FINED								
8	XCIN								
9	XCOUT								
10	RES#								
11	XTAL	P37							
12	VSS								
13	EXTAL	P36							
14	VCC								
15	UPSEL	P35					NMI		
16	TRST#	P34		MTIOC0A/ TMCI3/PO12/ POE10#	SCK6/SCK0		IRQ4		TS0
17		P33	EDREQ1	MTIOC0D/ TIOC0D/ TMRI3/PO11/ POE4#/ POE11#	RXD6/RXD0/ SMISO6/ SMISO0/SSCL6/ SSCL0/CRX0		IRQ3-DS		TS1
18		P32		MTIOC0C/ TIOCC0/ TMO3/PO10/ RTCOUT/ RTCIC2/ POE0#/ POE10#	TXD6/TXD0/ SMOSI6/ SMOSI0/SSDA6/ SSDA0/CTX0/ USB0_VBUSEN		IRQ2-DS		TAMPI2
19	TMS	P31		MTIOC4D/ TMCI2/PO9/ RTCIC1	CTS1#/RTS1#/ SS1#/SSLB0-A		IRQ1-DS		TAMPI1
20	TDI	P30		MTIOC4B/ TMRI3/PO8/ RTCIC0/ POE8#	RXD1/SMISO1/ SSCL1/MISOB-A		IRQ0-DS		TAMPI0
21	TCK	P27	CS7#	MTIOC2B/ TMCI3/PO7	SCK1/RSPCKB-A		IRQ7		TS2
22	TDO	P26	CS6#	MTIOC2A/ TMO1/PO6	TXD1/CTS3#/ RTS3#/SMOSI1/ SS3#/SSDA1/ MOSIB-A		IRQ6		TS3
23		P25	CS5#/ EDACK1	MTIOC4C/ MTCLKB/ TIOCA4/PO5	RXD3/SMISO3/ SSCL3	SDHI_CD	IRQ5	ADTRG0#	TS4/ CLKOUT

Table 1.9 List of Pin and Pin Functions (100-Pin LQFP) (2/6)

Pin No.	Power Supply Clock System Control	I/O Port	Bus EXDMAC	Timer	Communication		Interrupt	A/D	Others (CTS, CLKOUT, Tamper detection)
				(MTU, TPU, TMR, PPG, RTC, CMTW, POE, CAC)	(SCI, RSCI, RSPI, RSPIA, RIIC, RIICHS, CAN, USB, SSIE, REMC)	(QSPIX, SDHI)			
24		P24	CS4#/EDREQ1	MTIOC4A/ MTCLKA/ TIOCB4/ TMRI1/PO4	SCK3/ USB0_VBUSEN	SDHI_WP	IRQ12		TS5
25		P23	EDACK0	MTIOC3D/ MTCLKD/ TIOCD3/PO3	TXD3/CTS0#/ RTS0#/SMOSI3/ SS0#/SSDA3/ SSIBCK0	SDHI_D1-C	IRQ3		TS6
26		P22	EDREQ0	MTIOC3B/ MTCLKC/ TIOCC3/ TMO0/PO2	SCK0/ USB0_OVRCUR B/ AUDIO_CLK	SDHI_D0-C	IRQ15		TS7
27		P21		MTIOC1B/ MTIOC4A/ TIOCA3/ TMCI0/PO1	RXD0/SMISO0/ SSCL0/SCL1/ USB0_EXICEN/ SSILRCK0	SDHI_CLK-C	IRQ9		TS8
28		P20		MTIOC1A/ TIOCB3/ TMRI0/PO0	TXD0/SMOSI0/ SSDA0/SDA1/ USB0_ID/ SSIRXD0	SDHI_CMD-C	IRQ8		TS9
29		P17		MTIOC3A/ MTIOC3B/ MTIOC4B/ TIOCB0/ TCLKD/ TMO1/PO15/ POE8#	SCK1/TXD3/ SMOSI3/SSDA3/ SDA2-DS/ SSITXD0	SDHI_D3-C	IRQ7	ADTRG1#	
30		P16		MTIOC3C/ MTIOC3D/ TIOCB1/ TCLKC/ TMO2/PO14/ RTCOUT	TXD1/RXD3/ SMOSI1/ SMISO3/SSDA1/ SSCL3/SCL2-DS/ USB0_VBUS/ USB0_VBUSEN/ USB0_OVRCUR B		IRQ6	ADTRG0#	
31		P15		MTIOC0B/ MTCLKB/ TIOCB2/ TCLKB/ TMCI2/PO13	RXD1/SCK3/ SMISO1/SSCL1/ CRX1-DS		IRQ5		TS10
32		P14		MTIOC3A/ MTCLKA/ TIOCB5/ TCLKA/ TMRI2/PO15	CTS1#/RTS1#/ SS1#/CTX1/ USB0_OVRCUR A		IRQ4		TS11
33		P13		MTIOC0B/ TIOCA5/ TMO3/PO13	TXD2/SMOSI2/ SSDA2/ SDA0[FM+]/ SDAHS0[FM+/ HS]		IRQ3	ADTRG1#	
34		P12		MTIC5U/ TMCI1	RXD2/SMISO2/ SSCL2/ SCL0[FM+]/ SCLHS0[FM+/ HS]		IRQ2		
35	VCC_USB								
36		PH2		TMRI0	USB0_DM		IRQ1		

Table 1.9 List of Pin and Pin Functions (100-Pin LFQFP) (3/6)

Pin No.	Power Supply Clock System Control	I/O Port	Bus EXDMAC	Timer	Communication		Interrupt	A/D	Others (CTS, CLKOUT, Tamper detection)
				(MTU, TPU, TMR, PPG, RTC, CMTW, POE, CAC)	(SCI, RSCI, RSPI, RSPIA, RIIC, RIICHS, CAN, USB, SSIE, REMC)	(QSPIX, SDHI)			
37		PH1		TMO0	USB0_DP		IRQ0		
38	VSS_USB								
39		P55	D0[A0/D0]/ WAIT#/ EDREQ0	MTIOC4D/ TMO3	CRX1/MISOC-B		IRQ10		
40		P54	ALE/ D1[A1/D1]/ EDACK0	MTIOC4B/ TMCI1	CTS2#/RTS2#/ SS2#/CTX1/ MOSIC-B		IRQ4		
41		P53*1	BCLK		SSIRXD0/ PMC0-DS		IRQ3		TS12
42		P52	RD#		RXD2/SMISO2/ SSCL2/SSLB3-A		IRQ2		
43		P51	WR1#/ BC1#/ WAIT#		SCK2/SSLB2-A		IRQ1		
44		P50	WR0#/WR#		TXD2/SMOSI2/ SSDA2/SSLB1-A		IRQ0		
45	UB	PC7	A23/CS0#	MTIOC3A/ MTCLKB/ TMO2/TOC0/ PO31/ CACREF	TXD8/SMOSI8/ SSDA8/ SMOSI10/ SSDA10/TXD10/ MISOA-A/ SSITXD0/ SMOSI010/ SSDA010/ TXD010/ MISO0-A		IRQ14		
46		PC6	D2[A2/D2]/ A22/CS1#	MTIOC3C/ MTCLKA/ TMCI2/TIC0/ PO30	RXD8/SMISO8/ SSCL8/ SMISO10/ SSCL10/RXD10/ MOSIA-A/ SSILRCK0/ SMISO010/ SSCL010/ RXD010/ MOSI0-A		IRQ13		TS13
47		PC5	D3[A3/D3]/ A21/CS2#/ WAIT#	MTIOC3B/ MTCLKD/ TMRI2/PO29	SCK8/SCK10/ RSPCKA-A/ SSIBCK0/ SCK010/ RSPCK0-A		IRQ5		TS14
48		PC4	A20/CS3#	MTIOC3D/ MTCLKC/ TMCI1/PO25/ POE0#	SCK5/CTS8#/ RTS8#/SS8#/ SS10#/CTS10#/ RTS10#/ SSLA0-A/ AUDIO_CLK/ SS010#/ CTS010#/ RTS010#/DE010/ SSL00-A	SDHI_D1-A/ QIO1-A	IRQ12		TSCAP
49		PC3	A19	MTIOC4D/ TCLKB/PO24	TXD5/SMOSI5/ SSDA5/ PMC0-DS	SDHI_D0-A/ QIO0-A	IRQ11		

Table 1.9 List of Pin and Pin Functions (100-Pin LFQFP) (4/6)

Pin No.	Power Supply Clock System Control	I/O Port	Bus EXDMAC	Timer	Communication		Interrupt	A/D	Others (CTS, CLKOUT, Tamper detection)
				(MTU, TPU, TMR, PPG, RTC, CMTW, POE, CAC)	(SCI, RSPI, RSPIA, RIIC, RIICHS, CAN, USB, SSIE, REMC)	(QSPIX, SDHI)			
50		PC2	A18	MTIOC4B/ TCLKA/PO21	RXD5/SMISO5/ SSCL5/SSLA3-A/ TXDB011/ SSL03-A	SDHI_D3-A	IRQ10		
51		PC1	A17	MTIOC3A/ TCLKD/PO18	SCK5/SSLA2-A/ TXD011/ SMOSI011/ SSDA011/ TXDA011/ SSL02-A		IRQ12		TS15
52		PC0	A16	MTIOC3C/ TCLKC/PO17	CTS5#/RTS5#/ SS5#/SSLA1-A/ RXD011/ SMISO011/ SSCL011/ SSL01-A		IRQ14		TS16
53		PB7	A15	MTIOC3B/ TIOCB5/PO31	TXD9/SMOSI9/ SSDA9/ SMOSI11/ SSDA11/TXD11/ SMOSI011/ SSDA011/ TXD011		IRQ15		
54		PB6	A14	MTIOC3D/ TIOCA5/PO30	RXD9/SMISO9/ SSCL9/SMISO11/ SSCL11/RXD11/ SMISO011/ SSCL011/ RXD011		IRQ6		
55		PB5	A13	MTIOC2A/ MTIOC1B/ TIOCB4/ TMRI1/PO29/ POE4#	SCK9/SCK11/ SCK011		IRQ13		
56		PB4	A12	TIOCA4/PO28	CTS9#/RTS9#/ SS9#/SS11#/ CTS11#/RTS11#/ SS011#/ CTS011#/ RTS011#/DE011		IRQ4		
57		PB3	A11	MTIOC0A/ MTIOC4A/ TIOCD3/ TCLKD/ TMO0/PO27/ POE11#	SCK6/PMC0-DS		IRQ3		
58		PB2	A10	TIOCC3/ TCLKC/PO26	CTS6#/RTS6#/ SS6#		IRQ2		
59		PB1	A9	MTIOC0C/ MTIOC4C/ TIOCB3/ TMCI0/PO25	TXD6/SMOSI6/ SSDA6		IRQ4-DS		
60	VCC								
61		PB0	A8	MTIC5W/ TIOCA3/PO24	RXD6/SMISO6/ SSCL6		IRQ12		
62	VSS								

Table 1.9 List of Pin and Pin Functions (100-Pin LFQFP) (5/6)

Pin No.	Power Supply Clock System Control	I/O Port	Bus EXDMAC	Timer	Communication		Interrupt	A/D	Others (CTS, CLKOUT, Tamper detection)
				(MTU, TPU, TMR, PPG, RTC, CMTW, POE, CAC)	(SCI, RSCI, RSPI, RSPIA, RIIC, RIICHS, CAN, USB, SSIE, REMC)	(QSPIX, SDHI)			
63		PA7	A7	TIOCB2/PO23	MISOA-B/ MISO0-B		IRQ7		
64		PA6	A6	MTIC5V/ MTCLKB/ TIOCA2/ TMCI3/PO22/ POE10#	CTS5#/RTS5#/ SS5#/MOSIA-B/ MOSIO-B/ CTS12#/RTS12#/ SS12#		IRQ14		
65		PA5	A5	MTIOC6B/ TIOCB1/PO21	RSPCKA-B/ RSPCK0-B		IRQ5		
66		PA4	A4	MTIC5U/ MTCLKA/ TIOCA1/ TMRI0/PO20	TXD5/SMOSI5/ SSDA5/SSLA0-B/ SSL00-B/TXD12/ SMOSI12/ SSDA12/ TXDX12/SIOX12		IRQ5-DS		
67		PA3	A3	MTIOC0D/ MTCLKD/ TIOCD0/ TCLKB/PO19	RXD5/SMISO5/ SSCL5		IRQ6-DS		
68		PA2	A2	MTIOC7A/ PO18	RXD5/SMISO5/ SSCL5/SSLA3-B/ SSL03-B/RXD12/ SMISO12/ SSCL12/RXDX12	SDHI_WP	IRQ10		
69		PA1	A1	MTIOC0B/ MTCLKC/ MTIOC7B/ TIOCB0/PO17	SCK5/SSLA2-B/ SSL02-B/SCK12	SDHI_CD	IRQ11		
70		PA0	A0/BC0#	MTIOC4A/ MTIOC6D/ TIOCA0/ CACREF/ PO16	SSLA1-B/ SSL01-B		IRQ0		
71		PE7	D15[A15/ D15]/ D7[A7/D7]	MTIOC6A/ TOC1	MISOB-B	SDHI_WP/ SDHI_D1-B/ QIO1-B	IRQ7		
72		PE6	D14[A14/ D14]/ D6[A6/D6]	MTIOC6C/ TIC1	MOSIB-B	SDHI_CD/ SDHI_D0-B/ QIO0-B	IRQ6		
73		PE5	D13[A13/ D13]/ D5[A5/D5]	MTIOC4C/ MTIOC2B	RSPCKB-B		IRQ5		
74		PE4	D12[A12/ D12]/ D4[A4/D4]	MTIOC4D/ MTIOC1A/ PO28	SSLB0-B		IRQ12		
75		PE3	D11[A11/ D11]/ D3[A3/D3]	MTIOC4B/ PO26/POE8#/ TOC3	CTS12#/RTS12#/ SS12#		IRQ11		
76		PE2	D10[A10/ D10]/ D2[A2/D2]	MTIOC4A/ PO23/TIC3	RXD12/ SMISO12/ SSCL12/ RXDX12/ SSLB3-B		IRQ7-DS		
77		PE1	D9[A9/D9]/ D1[A1/D1]	MTIOC4C/ MTIOC3B/ PO18	TXD12/SMOSI12/ SSDA12/ TXDX12/SIOX12/ SSLB2-B		IRQ9	ANEX1	



**Table 1.9 List of Pin and Pin Functions (100-Pin LFQFP) (6/6)**

Pin No.	Power Supply Clock System Control	I/O Port	Bus EXDMAC	Timer	Communication		Interrupt	A/D	Others (CTSU, CLKOUT, Tamper detection)
				(MTU, TPU, TMR, PPG, RTC, CMTW, POE, CAC)	(SCI, RSCI, RSPI, RSPIA, RIIC, RIICHS, CAN, USB, SSIE, REMC)	(QSPIX, SDHI)			
78		PE0	D8[A8/D8]/D0[A0/D0]	MTIOC3D	SCK12/SSLB1-B		IRQ8	ANEX0	
79		PD7	D7[A7/D7]	MTIC5U/POE0#	SSLC3-A	SDHI_D1-B/QIO1-B	IRQ7	AN100	
80		PD6	D6[A6/D6]	MTIC5V/MTIOC8A/POE4#	SSLC2-A	SDHI_D0-B/QIO0-B	IRQ6	AN101	
81		PD5	D5[A5/D5]	MTIC5W/MTIOC8C/POE10#	SSLC1-A	SDHI_CLK-B/QSPCLK-B	IRQ5	AN102	
82		PD4	D4[A4/D4]	MTIOC8B/POE11#	SSLC0-A	SDHI_CMD-B/QSSL-B	IRQ4	AN103	
83		PD3	D3[A3/D3]	MTIOC8D/POE8#/TOC2	RSPCKC-A	SDHI_D3-B/QIO3-B	IRQ3	AN104	
84		PD2	D2[A2/D2]	MTIOC4D/TIC2	CRX0/MISOC-A	SDHI_D2-B/QIO2-B	IRQ2	AN105	
85		PD1	D1[A1/D1]	MTIOC4B/POE0#	CTX0/MOSIC-A		IRQ1	AN106	
86		PD0	D0[A0/D0]	POE4#			IRQ0	AN107	
87		P47					IRQ15-DS	AN007	
88		P46					IRQ14-DS	AN006	
89		P45					IRQ13-DS	AN005	
90		P44					IRQ12-DS	AN004	
91		P43					IRQ11-DS	AN003	
92		P42					IRQ10-DS	AN002	
93		P41					IRQ9-DS	AN001	
94	VREFL0								
95		P40					IRQ8-DS	AN000	
96	VREFH0								
97	AVCC0								
98		P07					IRQ15	ADTRG0#	
99	AVSS0								
100		P05					IRQ13		

Note 1. P53 is multiplexed with the BCLK pin function, so cannot be used as an I/O port pin when the external bus is enabled.

## 1.6.6 64-Pin TFBGA

Table 1.10 List of Pin and Pin Functions (64-Pin TFBGA) (1/3)

Pin No.	Power Supply Clock System Control	I/O Port	Timer	Communication		Interrupt	A/D	Others (CTSUs, Tamper detection)
64-Pin TFBGA			(MTU, TPU, TMR, RTC, CMTW, POE, CAC)	(SCI, RSCI, RSPI, RSPIA, RIIC, RIICHS, USB, SSIE, REMC)	(QSPIX, SDHI)			
A1	AVCC1							
A2	AVSS0							
A3	VREFH0							
A4	VREFL0							
A5		PD2	MTIOC4D/TIC2		SDHI_D2-B/ QIO2-B	IRQ2	AN105	
A6		PD7	MTIC5U/POE0#		SDHI_D1-B/ QIO1-B	IRQ7	AN100	
A7		PE0	MTIOC3D	SCK12/SSLB1-B		IRQ8	ANEX0	
A8		PE2	MTIOC4A/TIC3	RXD12/SMISO12/ SSCL12/RDX12/ SSLB3-B		IRQ7-DS		
B1	EMLE							
B2	AVSS1							
B3	AVCC0							
B4		P42				IRQ10-DS	AN002	
B5		PD3	MTIOC8D/POE8#/ TOC2		SDHI_D3-B/ QIO3-B	IRQ3	AN104	
B6		PD6	MTIC5V/MTIOC8A/ POE4#		SDHI_D0-B/ QIO0-B	IRQ6	AN101	
B7		PE1	MTIOC4C/ MTIOC3B	TXD12/SMOSI12/ SSDA12/TDX12/ SIOX12/SSLB2-B		IRQ9	ANEX1	
B8		PE6	MTIOC6C/TIC1	MOSIB-B	SDHI_CD/ SDHI_D0-B/ QIO0-B	IRQ6		
C1	VCL							
C2	VBATT							
C3	MD/FINED							
C4		P41				IRQ9-DS	AN001	
C5		PD4	MTIOC8B/POE11#		SDHI_CMD-B/ QSSL-B	IRQ4	AN103	
C6		PD5	MTIC5W/ MTIOC8C/POE10#		SDHI_CLK-B/ QSPCLK-B	IRQ5	AN102	
C7		PA1	MTIOC0B/ MTCLKC/ MTIOC7B/TIOCB0	SCK5/SSLA2-B/ SSL02-B/SCK12	SDHI_CD	IRQ11		
C8		PE7	MTIOC6A/TOC1	MISOB-B	SDHI_WP/ SDHI_D1-B/ QIO1-B	IRQ7		
D1	XCIN							
D2	XCOUT							
D3	RES#							
D4		P40				IRQ8-DS	AN000	
D5		P43				IRQ11-DS	AN003	
D6		PA6	MTIC5V/MTCLKB/ TIOCA2/TMCI3/ POE10#	CTS5#/RTS5#/ SS5#/MOSIA-B/ MOSIO-B/CTS12#/ RTS12#/SS12#		IRQ14		

Table 1.10 List of Pin and Pin Functions (64-Pin TFBGA) (2/3)

Pin No. 64-Pin TFBGA	Power Supply Clock System Control	I/O Port	Timer	Communication		Interrupt	A/D	Others (CTSUs, Tamper detection)
			(MTU, TPU, TMR, RTC, CMTW, POE, CAC)	(SCI, RSCI, RSPI, RSPIA, RIIC, RIICHS, USB, SSIE, REMC)	(QSPIX, SDHI)			
D7		PA2	MTIOC7A	RXD5/SMISO5/ SSCL5/SSLA3-B/ SSL03-B/RXD12/ SMISO12/SSCL12/ RXDX12	SDHI_WP	IRQ10		
D8		PA4	MTIC5U/MTCLKA/ TIOCA1/TMRI0	TXD5/SMOSI5/ SSDA5/SSLA0-B/ SSL00-B/TXD12/ SMOSI12/SSDA12/ TXDX12/SIOX12		IRQ5-DS		
E1	XTAL	P37						
E2	VSS							
E3	TRST#	P34	MTIOC0A/TMCi3/ POE10#			IRQ4		TS0
E4		P13	MTIOC0B/TIOCA5/ TMO3	TXD2/SMOSI2/ SSDA2/SDA0[FM+]/ SDAHS0[FM+/HS]		IRQ3	ADTRG1#	
E5	BSCANP							
E6		PA7	TIOCB2	MISOA-B/MISO0-B		IRQ7		
E7	VCC							
E8	VSS							
F1	EXTAL	P36						
F2	VCC							
F3	UPSEL	P35				NMI		
F4		P12	TMCi1/MTIC5U	RXD2/SMISO2/ SSCL2/SCL0[FM+]/ SCLHS0[FM+/HS]		IRQ2		
F5		P53		SSIRXD0/PMC0-DS		IRQ3		TS12
F6		PB7	MTIOC3B/TIOCB5	TXD9/SMOSI9/ SSDA9/SMOSI11/ SSDA11/TXD11/ SMOSI011/ SSDA011/TXD011		IRQ15		
F7		PB6	MTIOC3D/TIOCA5	RXD9/SMISO9/ SSCL9/SMISO11/ SSCL11/RXD11/ SMISO011/ SSCL011/RXD011		IRQ6		
F8		PB5	MTIOC2A/ MTIOC1B/TIOCB4/ TMRI1/POE4#	SCK9/SCK11/ SCK011		IRQ13		
G1	TCK	P27	MTIOC2B/TMCi3	SCK1/RSPCKB-A		IRQ7		TS2
G2	TMS	P31	MTIOC4D/TMCi2/ RTCIC1	CTS1#/RTS1#/ SS1#/SSLB0-A		IRQ1-DS		TAMP11
G3	TDI	P30	MTIOC4B/TMRI3/ RTCIC0/POE8#	RXD1/SMISO1/ SSCL1/MISOB-A		IRQ0-DS		TAMP10
G4	VCC_USB							
G5	VSS_USB							
G6	UB	PC7	MTIOC3A/ MTCLKB/TMO2/ TOC0/CACREF	TXD8/SMOSI8/ SSDA8/SMOSI10/ SSDA10/TXD10/ MISOA-A/SSITXD0/ SMOSI010/ SSDA010/TXD010/ MISO0-A		IRQ14		

Table 1.10 List of Pin and Pin Functions (64-Pin TFBGA) (3/3)

Pin No.	Power Supply Clock System Control	I/O Port	Timer	Communication		Interrupt	A/D	Others (CTSUs, Tamper detection)
64-Pin TFBGA			(MTU, TPU, TMR, RTC, CMTW, POE, CAC)	(SCI, RSCI, RSPI, RSPIA, RIIC, RIICHS, USB, SSIE, REMC)	(QSPIX, SDHI)			
G7		PC5	MTIOC3B/ MTCLKD/TMRI2	SCK8/SCK10/ RSPCKA-A/ SSIBCK0/SCK010/ RSPCK0-A		IRQ5		TS14
G8		PC0	MTIOC3C/TCLKC	CTS5#/RTS5#/ SS5#/SSLA1-A/ RXD011/SMISO011/ SSCL011/SSL01-A		IRQ14		TS16
H1	TDO	P26	MTIOC2A/TMO1	TXD1/CTS3#/ RTS3#/SMOSI1/ SS3#/SSDA1/ MOSIB-A		IRQ6		TS3
H2		P17	MTIOC3A/ MTIOC3B/ MTIOC4B/TIOCB0/ TCLKD/TMO1/ POE8#	SCK1/TXD3/ SMOSI3/SSDA3/ SDA2-DS/SSITXD0	SDHI_D3-C	IRQ7	ADTRG1#	
H3		P16	MTIOC3C/ MTIOC3D/TIOCB1/ TCLKC/TMO2/ RTCOUT	TXD1/RXD3/ SMOSI1/SMISO3/ SSDA1/SSCL3/ SCL2-DS/ USB0_VBUS		IRQ6	ADTRG0#	
H4		PH2	TMRI0	USB0_DM		IRQ1		
H5		PH1	TMO0	USB0_DP		IRQ0		
H6		PC6	MTIOC3C/ MTCLKA/TMC12/ TIC0	RXD8/SMISO8/ SSCL8/SMISO10/ SSCL10/RXD10/ MOSIA-A/ SMISO10/ SSCL010/RXD010/ MOSI0-A/SSILRCK0		IRQ13		TS13
H7		PC4	MTIOC3D/ MTCLKC/TMC11/ POE0#	SCK5/CTS8#/ RTS8#/SS8#/SS10#/ CTS10#/RTS10#/ SSLA0-A/ AUDIO_CLK/ SS010#/CTS010#/ RTS010#/DE010/ SSL00-A	SDHI_D1-A/ QIO1-A	IRQ12		TSCAP
H8		PC1	MTIOC3A/TCLKD	SCK5/SSLA2-A/ TXD011/SMOSI011/ SSDA011/TXDA011/ SSL02-A		IRQ12		TS15

## 1.6.7 64-Pin LFQFP

Table 1.11 List of Pin and Pin Functions (64-Pin LFQFP) (1/3)

Pin No.	Power Supply Clock System Control	I/O Port	Timer	Communication		Interrupt	A/D	Others (CTSU, Tamper detection)
64-Pin LFQFP			(MTU, TPU, TMR, RTC, CMTW, POE, CAC)	(SCI, RSCI, RSPI, RSPIA, RIIC, RIICHS, USB, SSIE, REMC)	(QSPIX, SDHI)			
1	AVCC1							
2	EMLE							
3	AVSS1							
4	VCL							
5	VBATT							
6	MD/FINED							
7	XCIN							
8	XCOUT							
9	RES#							
10	XTAL	P37						
11	VSS							
12	EXTAL	P36						
13	VCC							
14	UPSEL	P35				NMI		
15	TRST#	P34	MTIOC0A/TMC13/ POE10#			IRQ4		TS0
16	TDI	P30	MTIOC4B/TMR13/ RTCIC0/POE8#	RXD1/SMISO1/ SSCL1/MISOB-A		IRQ0-DS		TAMP10
17	TMS	P31	MTIOC4D/TMC12/ RTCIC1	CTS1#/RTS1#/ SS1#/SSLB0-A		IRQ1-DS		TAMP11
18	TDO	P26	MTIOC2A/TMO1	TXD1/CTS3#/ RTS3#/SMOS11/ SS3#/SSDA1/ MOSIB-A		IRQ6		TS3
19	TCK	P27	MTIOC2B/TMC13	SCK1/RSPCKB-A		IRQ7		TS2
20		P17	MTIOC3A/ MTIOC3B/ MTIOC4B/TIOCB0/ TCLKD/TMO1/ POE8#	SCK1/TXD3/ SMOS13/SSDA3/ SDA2-DS/SSITXD0	SDHI_D3-C	IRQ7	ADTRG1#	
21		P16	MTIOC3C/ MTIOC3D/TIOCB1/ TCLKC/TMO2/ RTCOUT	TXD1/RXD3/ SMOS11/SMISO3/ SSDA1/SSCL3/ SCL2-DS/ USB0_VBUS		IRQ6	ADTRG0#	
22		P13	MTIOC0B/TIOCA5/ TMO3	TXD2/SMOS12/ SSDA2/SDA0[FM+]/ SDAHS0[FM+/HS]		IRQ3	ADTRG1#	
23		P12	TMC11/MTIC5U	RXD2/SMISO2/ SSCL2/SCL0[FM+]/ SCLHS0[FM+/HS]		IRQ2		
24	VCC_USB							
25		PH2	TMR10	USB0_DM		IRQ1		
26		PH1	TMO0	USB0_DP		IRQ0		
27	VSS_USB							
28		P53		SSIRXD0/PMC0-DS		IRQ3		TS12

Table 1.11 List of Pin and Pin Functions (64-Pin LFQFP) (2/3)

Pin No.	Power Supply Clock System Control	I/O Port	Timer	Communication		Interrupt	A/D	Others (CTSUs, Tamper detection)
64-Pin LFQFP			(MTU, TPU, TMR, RTC, CMTW, POE, CAC)	(SCI, RSCI, RSPI, RSPIA, RIIC, RIICHS, USB, SSIE, REMC)	(QSPIX, SDHI)			
29	UB	PC7	MTIOC3A/ MTCLKB/TMO2/ TOC0/CACREF	TXD8/SMOSI8/ SSDA8/SMOSI10/ SSDA10/TXD10/ MISOA-A/SSITXD0/ SMOSI010/ SSDA010/TXD010/ MISO0-A		IRQ14		
30		PC6	MTIOC3C/ MTCLKA/TMC12/ TIC0	RXD8/SMISO8/ SSCL8/SMISO10/ SSCL10/RXD10/ MOSIA-A/ SMISO010/ SSCL010/RXD010/ MOSI0-A/SSILRCK0		IRQ13		TS13
31		PC5	MTIOC3B/ MTCLKD/TMRI2	SCK8/SCK10/ RSPCKA-A/ SSIBCK0/SCK010/ RSPCK0-A		IRQ5		TS14
32		PC4	MTIOC3D/ MTCLKC/TMC11/ POE0#	SCK5/CTS8#/ RTS8#/SS8#/SS10#/ CTS10#/RTS10#/ SSLA0-A/ AUDIO_CLK/ SS010#/CTS010#/ RTS010#/DE010/ SSL00-A	SDHI_D1-A/ QIO1-A	IRQ12		TSCAP
33		PC1	MTIOC3A/TCLKD	SCK5/SSLA2-A/ TXD011/SMOSI011/ SSDA011/TXDA011/ SSL02-A		IRQ12		TS15
34		PC0	MTIOC3C/TCLKC	CTS5#/RTS5#/ SS5#/SSLA1-A/ RXD011/SMISO011/ SSCL011/SSL01-A		IRQ14		TS16
35		PB7	MTIOC3B/TIOCB5	TXD9/SMOSI9/ SSDA9/SMOSI11/ SSDA11/TXD11/ SMOSI011/ SSDA011/TXD011		IRQ15		
36		PB6	MTIOC3D/TIOCA5	RXD9/SMISO9/ SSCL9/SMISO11/ SSCL11/RXD11/ SMISO011/ SSCL011/RXD011		IRQ6		
37		PB5	MTIOC2A/ MTIOC1B/TIOCB4/ TMRI1/POE4#	SCK9/SCK11/ SCK011		IRQ13		
38	VCC							
39	VSS							
40		PA7	TIOCB2	MISOA-B/MISO0-B		IRQ7		
41		PA6	MTIC5V/MTCLKB/ TIOCA2/TMC13/ POE10#	CTS5#/RTS5#/ SS5#/MOSIA-B/ MOSI0-B/CTS12#/ RTS12#/SS12#		IRQ14		

Table 1.11 List of Pin and Pin Functions (64-Pin LQFP) (3/3)

Pin No.	Power Supply Clock System Control	I/O Port	Timer	Communication		Interrupt	A/D	Others (CTSU, Tamper detection)
			(MTU, TPU, TMR, RTC, CMTW, POE, CAC)	(SCI, RSCI, RSPI, RSPIA, RIIC, RIICHS, USB, SSIE, REMC)	(QSPIX, SDHI)			
42		PA4	MTIC5U/MTCLKA/ TIOCA1/TMRI0	TXD5/SMOSI5/ SSDA5/SSLA0-B/ SSL00-B/TXD12/ SMOSI12/SSDA12/ TXDX12/SIOX12		IRQ5-DS		
43		PA2	MTIOC7A	RXD5/SMISO5/ SSCL5/SSLA3-B/ SSL03-B/RXD12/ SMISO12/SSCL12/ RXDX12	SDHI_WP	IRQ10		
44		PA1	MTIOC0B/ MTCLKC/ MTIOC7B/TIOCBO	SCK5/SSLA2-B/ SSL02-B/SCK12	SDHI_CD	IRQ11		
45		PE7	MTIOC6A/TOC1	MISOB-B	SDHI_WP/ SDHI_D1-B/ QIO1-B	IRQ7		
46		PE6	MTIOC6C/TIC1	MOSIB-B	SDHI_CD/ SDHI_D0-B/ QIO0-B	IRQ6		
47		PE2	MTIOC4A/TIC3	RXD12/SMISO12/ SSCL12/RXDX12/ SSLB3-B		IRQ7-DS		
48		PE1	MTIOC4C/ MTIOC3B	TXD12/SMOSI12/ SSDA12/TXDX12/ SIOX12/SSLB2-B		IRQ9	ANEX1	
49		PE0	MTIOC3D	SCK12/SSLB1-B		IRQ8	ANEX0	
50		PD7	MTIC5U/POE0#		SDHI_D1-B/ QIO1-B	IRQ7	AN100	
51		PD6	MTIC5V/MTIOC8A/ POE4#		SDHI_D0-B/ QIO0-B	IRQ6	AN101	
52		PD5	MTIC5W/ MTIOC8C/POE10#		SDHI_CLK-B/ QSPCLK-B	IRQ5	AN102	
53		PD4	MTIOC8B/POE11#		SDHI_CMD-B/ QSSL-B	IRQ4	AN103	
54		PD3	MTIOC8D/POE8#/ TOC2		SDHI_D3-B/ QIO3-B	IRQ3	AN104	
55		PD2	MTIOC4D/TIC2		SDHI_D2-B/ QIO2-B	IRQ2	AN105	
56		P43				IRQ11-DS	AN003	
57		P42				IRQ10-DS	AN002	
58		P41				IRQ9-DS	AN001	
59	VREFL0							
60		P40				IRQ8-DS	AN000	
61	VREFH0							
62	AVCC0							
63	AVSS0							
64		P05				IRQ13		

## 1.6.8 48-Pin HWQFN

Table 1.12 List of Pin and Pin Functions (48-Pin HWQFN) (1/3)

Pin No.	Power Supply Clock System Control	I/O Port	Timer	Communication		Interrupt	A/D	Others (CTSU)
48-Pin HWQFN			(MTU, TPU, TMR, CMTW, POE, CAC)	(SCI, RSCI, RSPI, RSPIA, RIIC, RIICHS, SSIE, REMC)	(QSPIX, SDHI)			
1	EMLE							
2	MD/FINED							
3	RES#							
4	XTAL	P37						
5	VSS							
6	EXTAL	P36						
7	VCC							
8	UPSEL	P35				NMI		
9	TRST#	P34	MTIOC0A/TMC13/ POE10#			IRQ4		TS0
10	TMS	P31	MTIOC4D/TMC12	CTS1#/RTS1#/ SS1#/SSLB0-A		IRQ1-DS		
11	TDI	P30	MTIOC4B/TMR13/ POE8#	RXD1/SMISO1/ SSCL1/MISOB-A		IRQ0-DS		
12	TCK	P27	MTIOC2B/TMC13	SCK1/RSPCKB-A		IRQ7		TS2
13	TDO	P26	MTIOC2A/TMO1	TXD1/CTS3#/ RTS3#/SMOSI1/ SS3#/SSDA1/ MOSIB-A		IRQ6		TS3
14		P17	MTIOC3A/ MTIOC3B/ MTIOC4B/TIOCB0/ TCLKD/TMO1/ POE8#	SCK1/TXD3/ SMOSI3/SSDA3/ SDA2-DS/SSITXD0	SDHI_D3-C	IRQ7	ADTRG1#	
15		P16	MTIOC3C/ MTIOC3D/TIOCB1/ TCLKC/TMO2	TXD1/RXD3/ SMOSI1/SMISO3/ SSDA1/SSCL3/ SCL2-DS		IRQ6	ADTRG0#	
16		P13	MTIOC0B/TIOCA5/ TMO3	TXD2/SMOSI2/ SSDA2/SDA0[FM+]/ SDAHS0[FM+/HS]		IRQ3	ADTRG1#	
17		P12	TMC11/MTC5U	RXD2/SMISO2/ SSCL2/SCL0[FM+]/ SCLHS0[FM+/HS]		IRQ2		
18	VCC							
19	VSS							
20		P53		SSIRXD0/PMC0-DS		IRQ3		TS12
21	UB	PC7	MTIOC3A/ MTCLKB/TMO2/ TOC0/CACREF	TXD8/SMOSI8/ SSDA8/SMOSI10/ SSDA10/TXD10/ MISOA-A/SSITXD0/ SMOSI10/ SSDA10/TXD010/ MISO0-A		IRQ14		
22		PC6	MTIOC3C/ MTCLKA/TMC12/ TIC0	RXD8/SMISO8/ SSCL8/SMISO10/ SSCL10/RXD10/ MOSIA-A/ SSILRCK0/ SMISO10/ SSCL010/RXD010/ MOSI0-A		IRQ13		TS13



Table 1.12 List of Pin and Pin Functions (48-Pin HWQFN) (2/3)

Pin No. 48-Pin HWQFN	Power Supply Clock System Control	I/O Port	Timer	Communication		Interrupt	A/D	Others (CTSUs)
			(MTU, TPU, TMR, CMTW, POE, CAC)	(SCI, RSCI, RSPI, RSPIA, RIIC, RIICHS, SSIE, REMC)	(QSPIX, SDHI)			
23		PC5	MTIOC3B/ MTCLKD/TMRI2	SCK8/SCK10/ RSPCKA-A/ SSIBCK0/SCK010/ RSPCK0-A		IRQ5		TS14
24		PC4	MTIOC3D/ MTCLKC/TMCI1/ POE0#	SCK5/CTS8#/ RTS8#/SS8#/SS10#/ CTS10#/RTS10#/ SSLA0-A/ AUDIO_CLK/ SS010#/CTS010#/ RTS010#/DE010/ SSL00-A	SDHI_D1-A/ QIO1-A	IRQ12		TSCAP
25		PB7	MTIOC3B/TIOC5B	TXD9/SMOSI9/ SSDA9/SMOSI11/ SSDA11/TXD11/ SMOSI011/ SSDA011/TXD011		IRQ15		
26		PB6	MTIOC3D/TIOCA5	RXD9/SMISO9/ SSCL9/SMISO11/ SSCL11/RXD11/ SMISO011/ SSCL011/RXD011		IRQ6		
27		PB5	MTIOC2A/ MTIOC1B/TIOCB4/ TMRI1/POE4#	SCK9/SCK11/ SCK011		IRQ13		
28	VCC							
29	VSS							
30	VCL							
31		PA6	MTIC5V/MTCLKB/ TIOCA2/TMCI3/ POE10#	CTS5#/RTS5#/ SS5#/MOSIA-B/ MOSIO-B/CTS12#/ RTS12#/SS12#		IRQ14		
32		PA4	MTIC5U/MTCLKA/ TIOCA1/TMRI0	TXD5/SMOSI5/ SSDA5/SSLA0-B/ SSL00-B/TXD12/ SMOSI12/SSDA12/ TXDX12/SIOX12		IRQ5-DS		
33		PA2	MTIOC7A	RXD5/SMISO5/ SSCL5/SSLA3-B/ SSL03-B/RXD12/ SMISO12/SSCL12/ RXDX12	SDHI_WP	IRQ10		
34		PA1	MTIOC0B/ MTCLKC/ MTIOC7B/TIOCB0	SCK5/SSLA2-B/ SSL02-B/SCK12	SDHI_CD	IRQ11		
35		PE7	MTIOC6A/TOC1	MISOB-B	SDHI_WP/ SDHI_D1-B/ QIO1-B	IRQ7		
36		PE6	MTIOC6C/TIC1	MOSIB-B	SDHI_CD/ SDHI_D0-B/ QIO0-B	IRQ6		
37		PD5	MTIC5W/ MTIOC8C/POE10#		SDHI_CLK-B/ QSPCLK-B	IRQ5	AN102	
38		PD4	MTIOC8B/POE11#		SDHI_CMD-B/ QSSL-B	IRQ4	AN103	
39		PD3	MTIOC8D/POE8#/ TOC2		SDHI_D3-B/ QIO3-B	IRQ3	AN104	

Table 1.12 List of Pin and Pin Functions (48-Pin HWQFN) (3/3)

Pin No. 48-Pin HWQFN	Power Supply Clock System Control	I/O Port	Timer	Communication		Interrupt	A/D	Others (CTSU)
			(MTU, TPU, TMR, CMTW, POE, CAC)	(SCI, RSCI, RSPI, RSPIA, RIIC, RIICHS, SSIE, REMC)	(QSPIX, SDHI)			
40		PD2	MTIOC4D/TIC2		SDHI_D2-B/ QIO2-B	IRQ2	AN105	
41		P43				IRQ11-DS	AN003	
42		P42				IRQ10-DS	AN002	
43		P41				IRQ9-DS	AN001	
44	VREFL0							
45		P40				IRQ8-DS	AN000	
46	VREFH0							
47	AVCC0/ AVCC1							
48	AVSS0/AVSS1							

## 2. Electrical Characteristics

### 2.1 Absolute Maximum Ratings

**Table 2.1 Absolute Maximum Rating**

Conditions: VSS = AVSS0 = AVSS1 = VREFL0 = VSS\_USB = 0 V

Item	Symbol	Value	Unit	
Power supply voltage	VCC, VCC_USB	-0.3 to +4.0	V	
V <sub>BATT</sub> power supply voltage	V <sub>BATT</sub>	-0.3 to +4.0	V	
Analog power supply voltage	AVCC0, AVCC1*1	-0.3 to +4.0	V	
Reference power supply voltage	VREFH0	-0.3 to AVCC0 + 0.3 (up to 4.0)	V	
Input voltage	Ports for 5 V tolerant: P12 to P17, P20, P21, P30 to P33, P67, P73, PC0 to PC3, and PJ3 TAMPI0 to TAMPI2, RTCIC0 to RTCIC2, EXCIN*2 Port for 5 V tolerant: P07 P03, P05, P40 to P47 Other than above	V <sub>in</sub>	-0.3 to VCC + 4.0 (up to 5.8)	V
			-0.3 to +4.0	
			-0.3 to AVCC0 + 4.0 (up to 5.8)	
			-0.3 to AVCC0 + 0.3 (up to 4.0)	
			-0.3 to VCC + 0.3 (up to 4.0)	
Junction temperature	T <sub>j</sub>	-40 to +125	°C	
Storage temperature	T <sub>stg</sub>	-55 to +125	°C	

Caution: Permanent damage to the LSI may result if absolute maximum ratings are exceeded.

Note 1. Connect the AVCC0, AVCC1, and VCC\_USB pins to VCC, and the AVSS0, AVSS1, and VSS\_USB pins to VSS.

When the A/D converter unit 0 is not to be used, connect the VREFH0 pin to VCC and the VREFL0 pin to VSS, respectively. Do not leave these pins open. Insert capacitors of high frequency characteristics between the AVCC0 and AVSS0 pins, or AVCC1 and AVSS1 pins. Place capacitors of about 0.1 μF as close as possible to every power supply pin and use the shortest and heaviest possible traces.

Note 2. The listed values apply when pins P30, P31, and P32 are set for the TAMPI<sub>n</sub> or RTCIC<sub>n</sub> (n = 0 to 2) functions, and pin PJ3 is set for the EXCIN function.

## 2.2 Recommended Operating Conditions

**Table 2.2 Recommended Operating Conditions (1)**

Item		Symbol	Min.	Typ.	Max.	Unit
Power supply voltage*1		VCC	2.7	—	3.6	V
		VSS	—	0	—	
$V_{BATT}$ power supply voltage		$V_{BATT}$	1.62*2	—	3.6	V
USB power supply voltage		VCC_USB	—	VCC	—	V
		VSS_USB	—	0	—	
Analog power supply voltage*1, *3		AVCC0	—	VCC	—	V
		AVSS0	—	0	—	
		AVCC1	—	VCC	—	
		AVSS1	—	0	—	
		VREFH0	2.7	—	AVCC0	
		VREFL0	—	0	—	
Input voltage	Ports for 5 V tolerant: P12 to P17, P20, P21, P30 to P33, P67, P73, PC0 to PC3, and PJ3	$V_{in}$	-0.3	—	VCC + 3.6 (up to 5.5)	V
	TAMPI0 to TAMPI2, RTCIC0 to RTCIC2, EXCIN*4		-0.3	—	3.9	
	SCLHS0, SDAHS0*5		-0.3	—	VCC + 0.3	
	Port for 5 V tolerant: P07		-0.3	—	AVCC0 + 3.6 (up to 5.5)	
	P03, P05, P40 to P47		-0.3	—	AVCC0 + 0.3	
	Other than above		-0.3	—	VCC + 0.3	
Operating temperature	D version	$T_{opr}$	-40	—	85	°C
	G version		-40	—	105	
Junction temperature	D version	$T_j$	-40	—	105	°C
	G version		-40	—	125	

Note 1. Comply with the following potential condition: VCC = AVCC0 = AVCC1 = VCC\_USB

Note 2. The low CL crystal unit cannot be used when the  $V_{BATT}$  voltage is less than 2.0 V.

Note 3. For details, see section 50.6.11, Voltage Range of Analog Power Supply Pins in the User's Manual: Hardware.

Note 4. The listed values apply when pins P30, P31, and P32 are set for the TAMPI<sub>n</sub> or RTCIC<sub>n</sub> (n = 0 to 2) functions, and pin PJ3 is set for the EXCIN function.

Note 5. The listed values apply when pins P12 and P13 are respectively set for the SCLHS0 and SDAHS0 functions in Hs-mode of the RIICHS.

**Table 2.3 Recommended Operating Conditions (2)**

Item	Symbol	Value
Decoupling capacitance for stabilizing the internal voltage	$C_{VCL}$	0.22 $\mu$ F $\pm$ 30%*1

Note 1. Use a multilayer ceramic capacitor with a nominal capacitance of 0.22  $\mu$ F, for which the sum of the capacitance tolerance and change in the capacitance under the usage conditions will be no greater than  $\pm$ 30%.

## 2.3 DC Characteristics

**Table 2.4 DC Characteristics (1)**

Conditions:  $VCC = AVCC0 = AVCC1 = VCC\_USB = V_{BATT} = 2.7$  to  $3.6$  V,  $2.7$  V  $\leq$   $VREFH0 \leq AVCC0$ ,  
 $VSS = AVSS0 = AVSS1 = VREFL0 = VSS\_USB = 0$  V,  
 $T_a = T_{opr}$

Item		Symbol	Min.	Typ.	Max.	Unit	Test Conditions
Schmitt trigger input voltage	IRQ input pin*1	$V_{IH}$	$0.8 \times VCC$	—	—	V	
	MTU input pin*1	$V_{IL}$	—	—	$0.2 \times VCC$		
	POE3 input pin*1	$\Delta V_T$	$0.06 \times VCC$	—	—		
	TPU input pin*1						
	TMR input pin*1						
	CMTW input pin*1						
	SCI input pin*1						
	RSCIA input pin*1						
	CAN input pin*1						
	CAC input pin*1						
	ADTRG# input pin*1						
	QSPIX input pin*1						
	SSIE input pin*1						
	REMC input pin*1						
	RES#, NMI, TCK						
	RIIC input pin						
RIICHS input pin (except for SMBus)	$V_{IL}$	—	—	$0.3 \times VCC$			
	$\Delta V_T$	$0.05 \times VCC$	—	—			
TAMPIn/RTICIn pin	$V_{IH}$	$0.8 \times V_{BKP}$	—	—			
EXCIN pin	$V_{IL}$	—	—	$0.2 \times V_{BKP}$			
Ports for 5 V tolerant*2	$V_{IH}$	$0.8 \times VCC$	—	—			
	$V_{IL}$	—	—	$0.2 \times VCC$			
Other input pins excluding ports for 5 V tolerant	$V_{IH}$	$0.8 \times VCC$	—	—			
	$V_{IL}$	—	—	$0.2 \times VCC$			
High level input voltage (except for Schmitt trigger input pin)	MD pin, EMLE	$V_{IH}$	$0.9 \times VCC$	—	—	V	
	EXTAL, RSPI input pin, RSPIA input pin, EXDMAC input pin, WAIT#, SDHI input pin		$0.8 \times VCC$	—	—		
	D0 to D15		$0.7 \times VCC$	—	—		
	RIIC, RIICHS (SMBus)		2.1	—	—		
Low level input voltage (except for Schmitt trigger input pin)	MD pin, EMLE	$V_{IL}$	—	—	$0.1 \times VCC$	V	
	EXTAL, RSPI input pin, RSPIA input pin, EXDMAC input pin, WAIT#, SDHI input pin		—	—	$0.2 \times VCC$		
	D0 to D15		—	—	$0.3 \times VCC$		
	RIIC, RIICHS (SMBus)		—	—	0.8		

Note 1. This does not include the pins, which are multiplexed as ports for 5 V tolerant.

Note 2. P07, P12 to P17, P20, P21, P30 to P33, P67, P73, PC0 to PC3, and PJ3 are 5 V tolerant.

**Table 2.5 DC Characteristics (2)**

Conditions:  $V_{CC} = AV_{CC0} = AV_{CC1} = V_{CC\_USB} = V_{BATT} = 2.7$  to  $3.6$  V,  $2.7$  V  $\leq V_{REFH0} \leq AV_{CC0}$ ,  
 $V_{SS} = AV_{SS0} = AV_{SS1} = V_{REFL0} = V_{SS\_USB} = 0$  V,  
 $T_a = T_{opr}$

Item	Symbol	Min.	Typ.	Max.	Unit	Test Conditions
Output high voltage	All output pins	$V_{OH}$	$V_{CC} - 0.5$	—	—	V $I_{OH} = -1$ mA
Output low voltage	All output pins (except for RIIC0 to RIIC2 pins and RIICHS0 pin)	$V_{OL}$	—	—	0.5	V $I_{OL} = 1.0$ mA
	RIIC0 to RIIC2 output pin RIICHS0 output pin		—	—	0.4	$I_{OL} = 3.0$ mA
			—	—	0.6	$I_{OL} = 6.0$ mA
	RIIC0 output pin RIICHS0 output pin		—	—	0.4	$I_{OL} = 15.0$ mA (ICFER.FMPE = 1)
			—	0.4	—	$I_{OL} = 20.0$ mA (ICFER.FMPE = 1)
	RIICHS0 output pin	—	—	0.4	$I_{OL} = 3.0$ mA (ICFER.HSME = 1)	
Input leakage current	RES#, MD pin, EMLE*1, BSCANP*1, NMI	$ I_{in} $	—	—	1.0	$\mu$ A $V_{in} = 0$ V $V_{in} = V_{CC}$
Three-state leakage current (off state)	Other than ports for 5 V tolerant	$ I_{TSI} $	—	—	1.0	$\mu$ A $V_{in} = 0$ V $V_{in} = V_{CC}$
	Ports for 5 V tolerant		—	—	5.0	$V_{in} = 0$ V $V_{in} = 5.5$ V
Input pull-up resistor	Other than P35	$R_{PU}$	10	—	100	k $\Omega$ $V_{in} = 0$ V
Input pull-down resistor	EMLE, BSCANP	$R_{PD}$	10	—	100	k $\Omega$ $V_{in} = V_{CC}$
Pull-up current serving as the SCLHS0 current source	SCLHS0 pin (P12)	$I_{CS}$	3	—	12	mA $V_{CC} = 3.0$ to $3.6$ V $V_{in} = 0.3 \times V_{CC}$ to $0.7 \times V_{CC}$
Input capacitance	All input pins (except for P12, P13, P16, P17, P20, P21, EMLE, BSCANP, USB0_DP, USB0_DM, USB1_DP and USB1_DM)	$C_{in}$	—	—	8	$\mu$ F $V_{bias} = 0$ V $V_{amp} = 20$ mV $f = 1$ MHz $T_a = 25^\circ$ C
	P12, P13, P16, P17, P20, P21, EMLE, BSCANP, USB0_DP, USB0_DM, USB1_DP and USB1_DM		—	—	16	
Power supply voltage in the backup domain		$V_{BKP}$	—	VCC	—	V $V_{CC} \geq V_{DET BATT}$
			—	VBATT	—	$V_{CC} < V_{DET BATT}$
Output voltage of the VCL pin		$V_{CL}$	—	1.18	—	V

Note 1. The input leakage current value at the EMLE and BSCANP pins are only when  $V_{in} = 0$  V.

**Table 2.6 DC Characteristics (3)**

Conditions:  $V_{CC} = AVCC0 = AVCC1 = V_{CC\_USB} = 2.7$  to  $3.6$  V,  $2.7$  V  $\leq V_{REFH0} \leq AVCC0$ ,  
 $V_{SS} = AVSS0 = AVSS1 = V_{REFL0} = V_{SS\_USB} = 0$  V,  
 $T_a = T_{opr}$

Item	Symbol	D version		G version		Unit	Test Conditions				
		Typ.	Max.	Typ.	Max.						
Supply current*1	$I_{CC}$ *3	Full operation*2		—	55	—	68	mA	ICLK = 120 MHz, PCLKA = 120 MHz, PCLKB = 60 MHz, PCLKC = 60 MHz, PCLKD = 60 MHz, FCLK = 60 MHz, BCLK = 120 MHz, BCLK pin = 60 MHz		
		Normal operation	Peripheral module clocks are supplied*4		23	—	23			—	
			Peripheral module clocks are stopped*4, *5		13	—	13			—	
		Core Mark	Peripheral module clocks are stopped*4, *5		14.5	—	14.5			—	
		Sleep mode: Peripheral module clocks are supplied*4		20	38	20	51				
		All module clock stop mode (reference value)		9	26	9	39				
		Increased by BGO operation*8	Reading from the code flash memory while the data flash memory is being programmed		6	—	6			—	
			Reading from the code flash memory while the code flash memory is being programmed		7	—	7			—	
		Increased by Trusted Secure IP operation		—	15	—	15				
		Low-speed operating mode 1: Peripheral module clocks are stopped*4		1.6	—	1.6	—			All clocks 1 MHz	
		Low-speed operating mode 2: Peripheral module clocks are stopped*4		1.6	—	1.6	—			All clocks 32.768 kHz	
		Software standby mode		1.1	18	1.1	27				
		Deep software standby mode	Power is supplied to the standby RAM, USB resume detecting unit (USB0 only) and REMC		15.5	69	15.5			85	$\mu$ A
			Power is not supplied to the standby RAM, USB resume detecting unit (USB0 only) and REMC	Low power consumption function of the power-on reset circuit is disabled*6		11.5	42			11.5	
Low power consumption function of the power-on reset circuit is enabled*7				4.9	32	4.9	47				
Increase current by operating RTC	Drive capacity for low CL is set in RCR3.RTCDV[2:0].		1	—	1	—					
	Drive capacity for standard CL is set in RCR3.RTCDV[2:0].		2	—	2	—					
Increase current by operating REMC	External clock (32 kHz) input		0.1	—	0.1	—					
	Drive capacity for standard CL is set in RCR3.RTCDV[2:0].		1.4	—	1.4	—					
When the RTC is operating while VCC is not supplied (Only the RTC and sub-clock oscillator operate with the battery backup function)	Drive capacity for low CL is set in RCR3.RTCDV[2:0].		0.9	—	0.9	—	$V_{BATT} = 2.0$ V, $V_{CC} = 0$ V				
			1.6	—	1.6	—	$V_{BATT} = 3.3$ V, $V_{CC} = 0$ V				
	Drive capacity for standard CL is set in RCR3.RTCDV[2:0].		1.6	—	1.6	—	$V_{BATT} = 1.62$ V, $V_{CC} = 0$ V				
			1.7	—	1.7	—	$V_{BATT} = 2.0$ V, $V_{CC} = 0$ V				
Inrush current on release from deep software standby mode	Inrush current*9		$I_{RUSH}$	—	130	—	130	mA			
	Total inrush current*9		$E_{RUSH}$	—	1	—	1	$\mu$ C			

Note 1. Supply current values are measured when all output pins are unloaded and all input pull-up resistors are disabled.

Note 2. Peripheral module clocks are supplied.

Note 3.  $I_{CC}$  depends on the  $f$  (ICLK) as follows (when ICLK/PCLKA : PCLKB/PCLKC/PCLKD : BCLK : BCLK pin = 2 : 1 : 2 : 1 and EXTAL = 12 MHz).

- D version

$I_{CC} \text{ max} = 0.28 \times f + 21.0$  (full operation in high-speed operating mode)

$I_{CC} \text{ typ} = 0.16 \times f + 3.5$  (normal operation in high-speed operating mode)

$I_{CC} \text{ typ} = 0.20 \times f + 1.4$  (ICLK 1 MHz max) (low-speed operating mode 1)

$I_{CC} \text{ max} = 0.14 \times f + 21.0$  (sleep mode)

- G version

$I_{CC} \text{ max} = 0.31 \times f + 30.0$  (full operation in high-speed operating mode)

$I_{CC} \text{ typ} = 0.16 \times f + 3.5$  (normal operation in high-speed operating mode)

$I_{CC} \text{ typ} = 0.20 \times f + 1.4$  (ICLK 1 MHz max) (low-speed operating mode 1)

$I_{CC} \text{ max} = 0.17 \times f + 30.0$  (sleep mode)

Note 4. Whether the peripheral module clocks are supplied or stopped is controlled only by the bit settings in the module stop control registers A to D.

Note 5. When the peripheral module clock is stopped, the settings of the clock frequency are as follows:

ICLK = 120 MHz and PCLKA = PCLKB = PCLKC = PCLKD = FCLK = BCLK = BCLK pin = 3.75 MHz (divided by 64).

Note 6. When the low power consumption function is disabled, the DEEPCUT[1:0] bits are set to 01b.

Note 7. When the low power consumption function is enabled, the DEEPCUT[1:0] bits are set to 11b.

Note 8. These are the increases during programming of the code flash memory after the code flash memory (limitations apply to the combinations of address ranges of the program area and the readable area) or the data flash memory has been programmed or erased.

Note 9. Reference value

**Table 2.7 DC Characteristics (4)**

Conditions:  $V_{CC} = AV_{CC0} = AV_{CC1} = V_{CC\_USB} = 2.7$  to  $3.6$  V,  $2.7$  V  $\leq V_{REFH0} \leq AV_{CC0}$ ,  
 $V_{SS} = AV_{SS0} = AV_{SS1} = V_{REFL0} = V_{SS\_USB} = 0$  V,  
 $T_a = T_{opr}$

Item		Symbol	D version			G version			Unit	Test Conditions
			Min.	Typ.	Max.	Min.	Typ.	Max.		
Analog power supply current*1, *2	During 12-bit A/D conversion (unit 0)	$I_{AVCC0}$	—	0.8	1	—	0.8	1	mA	
	During 12-bit A/D conversion (unit 1)	$I_{AVCC1}$	—	0.6	1	—	0.6	1	mA	
	During 12-bit A/D conversion (unit 1) + temperature sensor		—	0.7	1.1	—	0.7	1.1		
	Waiting for A/D and temperature sensor conversion (all units)	$I_{AVCC}$	—	0.9	1.4	—	0.9	1.4	mA	$I_{AVCC} = I_{AVCC0} + I_{AVCC1}$
	A/D and temperature sensor are in standby mode (all units)		—	1.4	6.7	—	1.4	9.0	$\mu$ A	
Reference power supply current	During 12-bit A/D conversion (unit 0)	$I_{VREFH0}$	—	38	60	—	38	60	$\mu$ A	
	Waiting for 12-bit A/D conversion (unit 0)		—	0.07	0.5	—	0.07	0.6		
	12-bit A/D converter in module stop status (unit 0)		—	0.07	0.4	—	0.07	0.5		
USB operating current (increase per channel)	Low speed	$I_{CCUSBLS}$	—	3.7	6.5	—	3.7	6.5	mA	
	Full speed	$I_{CCUSBFS}$	—	4.2	10	—	4.2	10	mA	
CTSU operating current		$I_{CTSU}$	—	100	—	—	100	—	$\mu$ A	
RAM retention voltage		$V_{RAM}$	2.7	—	—	2.7	—	—	V	
VCC rising gradient		$SrVCC$	8.4	—	20000	8.4	—	20000	$\mu$ s/V	
VCC falling gradient*3		$SfVCC$	8.4	—	—	8.4	—	—	$\mu$ s/V	

Note 1. The reference power supply current is included in the power supply current value for 12-bit A/D converter (unit 1).

Note 2. The analog power supply current cannot be separated into  $I_{AVCC0}$  and  $I_{AVCC1}$  in the 48-pin products because  $AV_{CC0}$  and  $AV_{CC1}$  share the same pin.

Note 3. This applies when  $V_{BATT}$  is used.



**Table 2.8 Permissible Output Currents**

Conditions:  $V_{CC} = AVCC0 = AVCC1 = V_{CC\_USB} = V_{BATT} = 2.7$  to  $3.6$  V,  $2.7$  V  $\leq V_{REFH0} \leq AVCC0$ ,  
 $V_{SS} = AVSS0 = AVSS1 = V_{REFL0} = V_{SS\_USB} = 0$  V,  
 $T_a = T_{opr}$

Item		Symbol	Min.	Typ.	Max.	Unit
Permissible output low current (average value per pin)	All output pins*1	$I_{OL}$	—	—	2.0	mA
	All output pins*2				3.8	
	All output pins*3				7.5	
Permissible output low current (max. value per pin)	All output pins*1	$I_{OL}$	—	—	4.0	mA
	All output pins*2				7.6	
	All output pins*3				15	
Permissible output low current (total)	Total of all output pins	$\Sigma I_{OL}$	—	—	80	mA
Permissible output high current (average value per pin)	All output pins*1	$I_{OH}$	—	—	-2.0	mA
	All output pins*2				-3.8	
	All output pins*3				-7.5	
Permissible output high current (max. value per pin)	All output pins*1	$I_{OH}$	—	—	-4.0	mA
	All output pins*2				-7.6	
	All output pins*3				-15	
Permissible output high current (total)	Total of all output pins	$\Sigma I_{OH}$	—	—	-80	mA

Caution: To protect the LSI's reliability, the output current values should not exceed the values in this table.

Note 1. This is the value when normal driving ability is set with a pin for which normal driving ability is selectable.

Note 2. This is the value when high driving ability is set with a pin for which normal driving ability is selectable or the value of the pin to which high driving ability is fixed.

Note 3. This is the value when high-speed interface high-driving ability is set with a pin for which high-speed interface high-driving ability is selectable.

**Table 2.9 Normal Output Characteristics**

Conditions:  $V_{CC} = AVCC0 = AVCC1 = V_{CC\_USB} = V_{BATT} = 2.7$  to  $3.6$  V,  $2.7$  V  $\leq$   $V_{REFH0} \leq AVCC0$ ,  
 $V_{SS} = AVSS0 = AVSS1 = V_{REFL0} = V_{SS\_USB} = 0$  V,  $T_a = 25^\circ\text{C}$

Item	Symbol	Min.	Typ.	Max.	Unit	Test Conditions		
Output high level voltage	Normal drive (P00 to P02, P12 to P14, P27, P36, P40 to P47, P50 to P52, P54 to P56, P72, P74 to P77, P80 to P83, P90 to P93, PA0 to PA7, PB0 to PB7, PC0 to PC7, PD0 to PD7, PE0 to PE7, PH1, PH2)	$V_{OH}$	—	3.26	—	V	$I_{OH} = -0.5$ mA	
		—	3.22	—	$I_{OH} = -1.0$ mA			
		—	3.13	—	$I_{OH} = -2.0$ mA			
		—	2.94	—	$I_{OH} = -4.0$ mA			
		High drive (P00 to P02, P03, P05, P07, P12 to P17, P20 to P27, P30 to P34, P37, P50 to P56, P60 to P67, P70 to P77, P80 to P83, P86, P87, P90 to P93, PA0 to PA7, PB0 to PB7, PC0 to PC7, PD0 to PD7, PE0 to PE7, PF5, PH1, PH2, PJ3, PJ5)	—	3.28	—		$I_{OH} = -0.5$ mA	
			—	3.25	—		$I_{OH} = -1.0$ mA	
			—	3.20	—		$I_{OH} = -2.0$ mA	
			—	3.10	—		$I_{OH} = -4.0$ mA	
		Highs-peed interface high-drive (P00 to P02, P12 to P14, P17, P20 to P23, P27, P30, P31, P50 to P56, P70, P72, P73 to P77, P80 to P83, P86, P87, P90 to P93, PA0 to PA7, PB0 to PB7, PC0 to PC7, PD0 to PD7, PE0 to PE7, PH1, PH2)	—	3.29	—		$I_{OH} = -0.5$ mA	
			—	3.28	—		$I_{OH} = -1.0$ mA	
			—	3.25	—		$I_{OH} = -2.0$ mA	
			—	3.20	—		$I_{OH} = -4.0$ mA	
	Output low level voltage	Normal drive (P00 to P02, P12 to P14, P27, P36, P40 to P47, P50 to P52, P54 to P56, P72, P74 to P77, P80 to P83, P90 to P93, PA0 to PA7, PB0 to PB7, PC0 to PC7, PD0 to PD7, PE0 to PE7, PH1, PH2)	$V_{OL}$	—	0.04	—		$I_{OL} = 0.5$ mA
			—	0.09	—	$I_{OL} = 1.0$ mA		
			—	0.18	—	$I_{OL} = 2.0$ mA		
—			0.39	—	$I_{OL} = 4.0$ mA			
High drive (P00 to P02, P03, P05, P07, P12 to P17, P20 to P27, P30 to P34, P37, P50 to P56, P60 to P67, P70 to P77, P80 to P83, P86, P87, P90 to P93, PA0 to PA7, PB0 to PB7, PC0 to PC7, PD0 to PD7, PE0 to PE7, PF5, PH1, PH2, PJ3, PJ5)			—	0.02	—	$I_{OL} = 0.5$ mA		
			—	0.04	—	$I_{OL} = 1.0$ mA		
			—	0.09	—	$I_{OL} = 2.0$ mA		
			—	0.18	—	$I_{OL} = 4.0$ mA		
Highs-peed interface high-drive (P00 to P02, P12 to P14, P17, P20 to P23, P27, P30, P31, P50 to P56, P70, P72, P73 to P77, P80 to P83, P86, P87, P90 to P93, PA0 to PA7, PB0 to PB7, PC0 to PC7, PD0 to PD7, PE0 to PE7, PH1, PH2)			—	0.01	—	$I_{OL} = 0.5$ mA		
			—	0.02	—	$I_{OL} = 1.0$ mA		
			—	0.04	—	$I_{OL} = 2.0$ mA		
			—	0.09	—	$I_{OL} = 4.0$ mA		
		—	0.11	—	$I_{OL} = 5.0$ mA			
—		0.23	—	$I_{OL} = 10.0$ mA				
—		0.36	—	$I_{OL} = 15.0$ mA				

**Table 2.10 Thermal Resistance Value (Reference)**

Item	Package	Symbol	Max.	Unit	Test Conditions
Thermal resistance	144-pin LFQFP (PLQP0144KA-B)	$\theta_{ja}$	48.4	°C/W	JESD51-2 and JESD51-7 compliant
	100-pin LFQFP (PLQP0100KB-B)		51.7		
	64-pin LFQFP (PLQP0064KB-C)		51.2		
	48-pin HWQFN (PWQN0048KC-A)		19.1*1		
	145-pin TFLGA (PTLG0145JC-A)		30.9		
	145-pin TFLGA (PTLG0145KB-A)		30.6		
	100-pin TFLGA (PTLG0100JB-A)		30.9		
	64-pin TFBGA (PTBG0064KB-A)		32.0		
	144-pin LFQFP (PLQP0144KA-B)	$\Psi_{jt}$	1.2	°C/W	JESD51-2 and JESD51-7 compliant
	100-pin LFQFP (PLQP0100KB-B)		1.2		
	64-pin LFQFP (PLQP0064KB-C)		1.2		
	48-pin HWQFN (PWQN0048KC-A)		0.1*1		
	145-pin TFLGA (PTLG0145JC-A)		0.4		
	145-pin TFLGA (PTLG0145KB-A)		0.4		
	100-pin TFLGA (PTLG0100JB-A)		0.4		
	64-pin TFBGA (PTBG0064KB-A)		0.4		

Note: The values are reference values when the 4-layer board is used. Thermal resistance depends on the number of layers or size of the board. For details, refer to the JEDEC standards.

Note 1. This value applies when the exposed die pad for this purpose is connected to VSS.

## 2.4 AC Characteristics

**Table 2.11 Operating Frequency (High-Speed Operating Mode)**

Conditions:  $V_{CC} = AVCC0 = AVCC1 = V_{CC\_USB} = V_{BATT} = 2.7$  to  $3.6$  V,  $2.7$  V  $\leq V_{REFH0} \leq AVCC0$ ,  
 $V_{SS} = AVSS0 = AVSS1 = V_{REFL0} = V_{SS\_USB} = 0$  V,  
 $T_a = T_{opr}$

Item		Symbol	Min.	Typ.	Max.	Unit	
Operating frequency	System clock (ICLK)	f	—	—	120	MHz	
	Peripheral module clock (PCLKA)		—	—	120		
	Peripheral module clock (PCLKB)		—	—	60		
	Peripheral module clock (PCLKC)		—	—	60		
	Peripheral module clock (PCLKD)		—	—	60		
	Flash-IF clock (FCLK)		—*1	—	60		
	External bus clock (BCLK)		Package of 144 pins or more	—	—		120
			100-pin package	—	—		60
	BCLK pin output		Package of 144 pins or more	—	—		60
			100-pin package	—	—		30
	SDRAM clock (SDCLK)		Package of 144 pins or more	—	—		60
	SDCLK pin output		Package of 144 pins or more	—	—		60

Note 1. The FCLK must run at a frequency of at least 4 MHz when changing the flash memory contents.

**Table 2.12 Operating Frequency (Low-Speed Operating Mode 1)**

Conditions:  $V_{CC} = AVCC0 = AVCC1 = V_{CC\_USB} = V_{BATT} = 2.7$  to  $3.6$  V,  $2.7$  V  $\leq V_{REFH0} \leq AVCC0$ ,  
 $V_{SS} = AVSS0 = AVSS1 = V_{REFL0} = V_{SS\_USB} = 0$  V,  
 $T_a = T_{opr}$

Item		Symbol	Min.	Typ.	Max.	Unit	
Operating frequency	System clock (ICLK)	f	—	—	1	MHz	
	Peripheral module clock (PCLKA)		—	—	1		
	Peripheral module clock (PCLKB)		—	—	1		
	Peripheral module clock (PCLKC)*1		—	—	1		
	Peripheral module clock (PCLKD)*1		—	—	1		
	Flash-IF clock (FCLK)		—	—	1		
	External bus clock (BCLK)		Package of 144 pins or more	—	—		1
			100-pin package	—	—		1
	BCLK pin output		Package of 144 pins or more	—	—		1
			100-pin package	—	—		1
	SDRAM clock (SDCLK)		Package of 144 pins or more	—	—		1
	SDCLK pin output		Package of 144 pins or more	—	—		1

Note 1. When the 12-bit A/D converter is used, the frequency must be set to at least 1 MHz.

**Table 2.13 Operating Frequency (Low-Speed Operating Mode 2)**

Conditions:  $V_{CC} = AVCC0 = AVCC1 = V_{CC\_USB} = V_{BATT} = 2.7$  to  $3.6$  V,  $2.7$  V  $\leq V_{REFH0} \leq AVCC0$ ,  
 $V_{SS} = AVSS0 = AVSS1 = V_{REFL0} = V_{SS\_USB} = 0$  V,  
 $T_a = T_{opr}$

Item		Symbol	Min.	Typ.	Max.	Unit	
Operating frequency	System clock (ICLK)	f	32	—	264	kHz	
	Peripheral module clock (PCLKA)		—	—	264		
	Peripheral module clock (PCLKB)		—	—	264		
	Peripheral module clock (PCLKC)*1		—	—	264		
	Peripheral module clock (PCLKD)*1		—	—	264		
	Flash-IF clock (FCLK)		32	—	264		
	External bus clock (BCLK)		Package of 144 pins or more	—	—		264
			100-pin package	—	—		264
	BCLK pin output		Package of 144 pins or more	—	—		264
			100-pin package	—	—		264
	SDRAM clock (SDCLK)		Package of 144 pins or more	—	—		264
	SDCLK pin output		Package of 144 pins or more	—	—		264

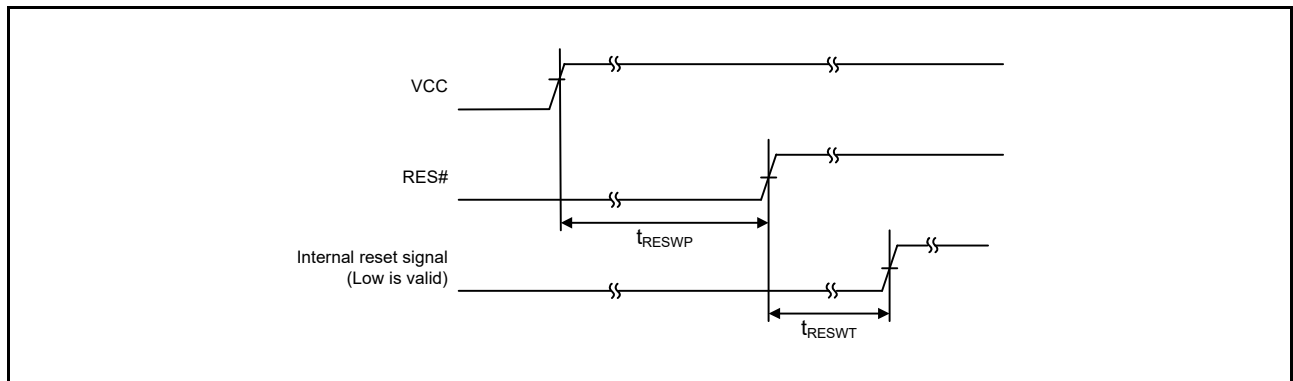
Note 1. The 12-bit A/D converter cannot be used.

### 2.4.1 Reset Timing

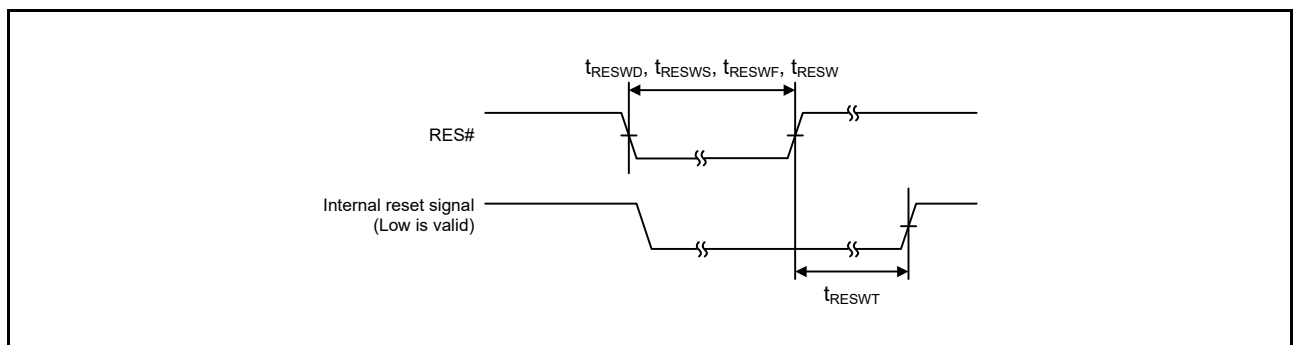
**Table 2.14 Reset Timing**

Conditions:  $VCC = AVCC0 = AVCC1 = VCC\_USB = V_{BATT} = 2.7$  to  $3.6$  V,  $2.7$  V  $\leq$   $VREFH0 \leq AVCC0$ ,  
 $VSS = AVSS0 = AVSS1 = VREFL0 = VSS\_USB = 0$  V,  
 $T_a = T_{opr}$

Item		Symbol	Min.	Typ.	Max.	Unit	Test Conditions
RES# pulse width	Power-on	$t_{RESWP}$	1	—	—	ms	Figure 2.1
	Deep software standby mode	$t_{RESWD}$	0.6	—	—	ms	Figure 2.2
	Software standby mode, low-speed operating mode 2	$t_{RESWS}$	0.3	—	—	ms	
	Programming or erasure of the code flash memory, or programming, erasure or blank checking of the data flash memory	$t_{RESWF}$	200	—	—	$\mu$ s	
	Other than above	$t_{RESW}$	200	—	—	$\mu$ s	
Waiting time after release from the RES# pin reset		$t_{RESWT}$	54	—	55	$t_{Lcyc}$	Figure 2.1
Internal reset time (independent watchdog timer reset, watchdog timer reset, software reset)		$t_{RESW2}$	100	—	108	$t_{Lcyc}$	



**Figure 2.1 Reset Input Timing at Power-On**



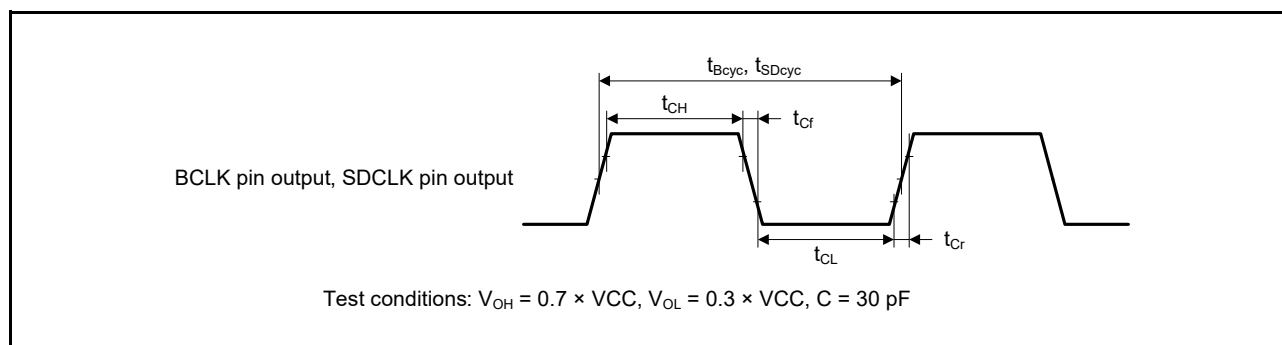
**Figure 2.2 Reset Input Timing**

### 2.4.2 Clock Timing

**Table 2.15 BCLK Pin Output, SDCLK Pin Output Clock Timing**

Conditions:  $V_{CC} = AV_{CC0} = AV_{CC1} = V_{CC\_USB} = V_{BATT} = 2.7$  to  $3.6$  V,  $2.7$  V  $\leq V_{REFH0} \leq AV_{CC0}$ ,  
 $V_{SS} = AV_{SS0} = AV_{SS1} = V_{REFL0} = V_{SS\_USB} = 0$  V,  
 $T_a = T_{opr}$

Item	Symbol	Min.	Typ.	Max.	Unit	Test Conditions	
BCLK pin output cycle time	$t_{Bcyc}$	Package of 144 pins or more	16.6	—	—	ns	Figure 2.3
		100-pin package	33.2	—	—		
BCLK pin output high pulse width	$t_{CH}$	3.3	—	—	ns		
BCLK pin output low pulse width	$t_{CL}$	3.3	—	—	ns		
BCLK pin output rising time	$t_{Cr}$	—	—	5	ns		
BCLK pin output falling time	$t_{Cf}$	—	—	5	ns		
SDCLK pin output cycle time	$t_{Bcyc}$	Package of 144 pins or more	16.6	—	—	ns	
SDCLK pin output high pulse width		$t_{CH}$	3.3	—	—	ns	
SDCLK pin output low pulse width		$t_{CL}$	3.3	—	—	ns	
SDCLK pin output rising time		$t_{Cr}$	—	—	5	ns	
SDCLK pin output falling time		$t_{Cf}$	—	—	5	ns	

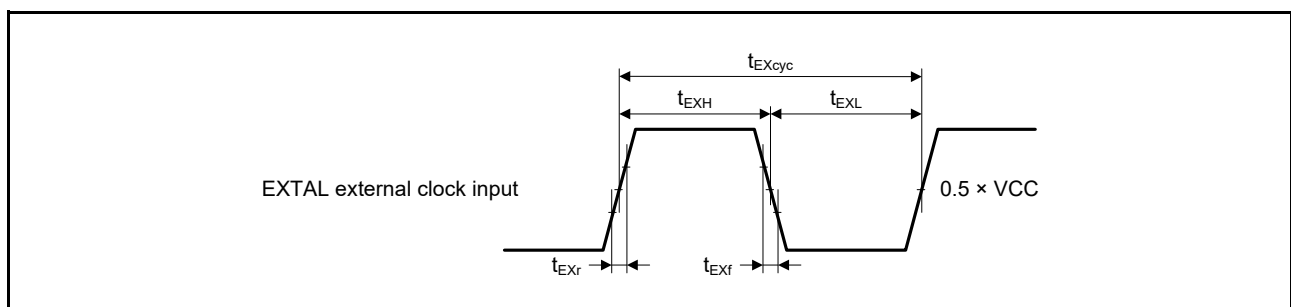


**Figure 2.3 BCLK Pin and SDCLK Pin Output Timing**

**Table 2.16 EXTAL Clock Timing**

Conditions:  $V_{CC} = AV_{CC0} = AV_{CC1} = V_{CC\_USB} = V_{BATT} = 2.7$  to  $3.6$  V,  $2.7$  V  $\leq V_{REFH0} \leq AV_{CC0}$ ,  
 $V_{SS} = AV_{SS0} = AV_{SS1} = V_{REFL0} = V_{SS\_USB} = 0$  V,  
 $T_a = T_{opr}$

Item	Symbol	$f_{EXMAIN} \leq 24\text{MHz}$			$f_{EXMAIN} > 24\text{MHz}$			Unit	Test Conditions
		Min.	Typ.	Max.	Min.	Typ.	Max.		
EXTAL external clock input cycle time	$t_{EXcyc}$	41.66	—	—	33.33	—	—	ns	Figure 2.4
EXTAL external clock input frequency	$f_{EXMAIN}$	—	—	24	—	—	30	MHz	
EXTAL external clock input high pulse width	$t_{EXH}$	15.83	—	—	13.33	—	—	ns	
EXTAL external clock input low pulse width	$t_{EXL}$	15.83	—	—	13.33	—	—	ns	
EXTAL external clock rising time	$t_{EXr}$	—	—	5	—	—	5	ns	
EXTAL external clock falling time	$t_{EXf}$	—	—	5	—	—	5	ns	



**Figure 2.4 EXTAL External Clock Input Timing**

**Table 2.17 Main Clock Timing**

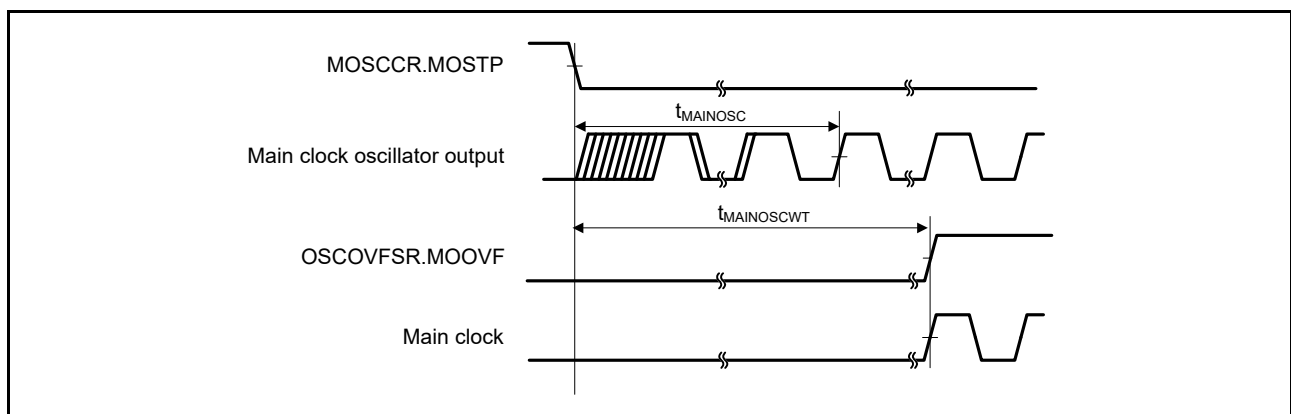
Conditions:  $V_{CC} = AV_{CC0} = AV_{CC1} = V_{CC\_USB} = V_{BATT} = 2.7$  to  $3.6$  V,  $2.7$  V  $\leq V_{REFH0} \leq AV_{CC0}$ ,  
 $V_{SS} = AV_{SS0} = AV_{SS1} = V_{REFL0} = V_{SS\_USB} = 0$  V,  
 $T_a = T_{opr}$

Item	Symbol	Min.	Typ.	Max.	Unit	Test Conditions
Main clock oscillation frequency	$f_{MAIN}$	8	—	24	MHz	
Main clock oscillator stabilization time (crystal)	$t_{MAINOSC}$	—	—	—*1	ms	Figure 2.5
Main clock oscillator stabilization waiting time (crystal)	$t_{MAINOSCWT}$	—	—	—*2	ms	

Note 1. When using a main clock, ask the manufacturer of the oscillator to evaluate its oscillation. Refer to the results of evaluation provided by the manufacturer for the oscillation stabilization time.

Note 2. The number of cycles selected by the value of the MOSCWTCR.MSTS[7:0] bits determines the main clock oscillation stabilization waiting time in accord with the formula below.

$$t_{MAINOSCWT} = [(MSTS[7:0] \text{ bits} \times 32) + 10] / f_{LOCO}$$



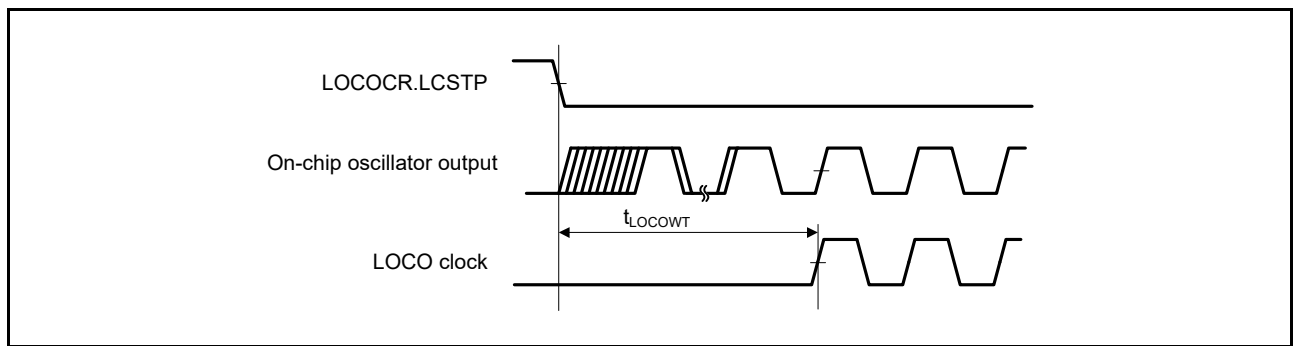
**Figure 2.5 Main Clock Oscillation Start Timing**



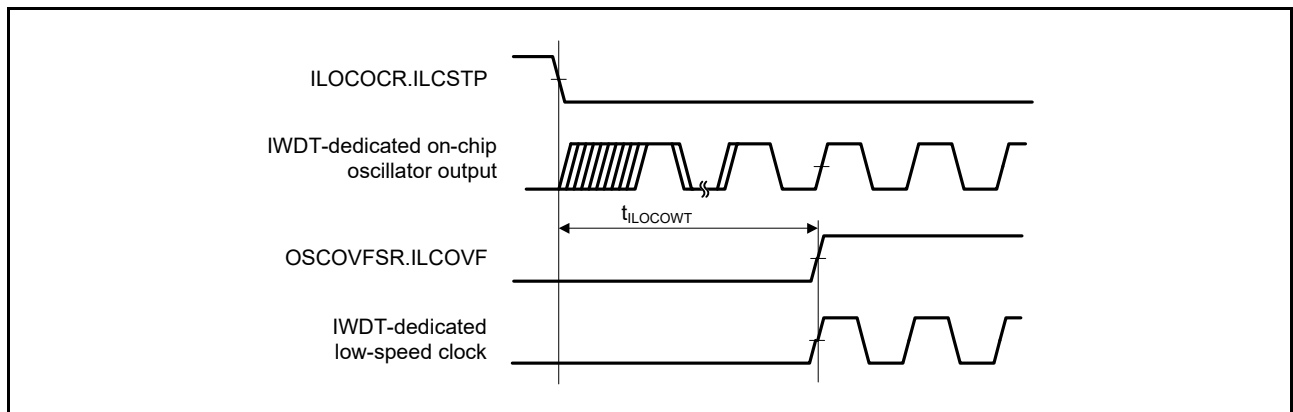
**Table 2.18 LOCO and IWDT-Dedicated Low-Speed Clock Timing**

Conditions:  $V_{CC} = AVCC0 = AVCC1 = VCC\_USB = V_{BATT} = 2.7$  to  $3.6$  V,  $2.7$  V  $\leq V_{REFH0} \leq AVCC0$ ,  
 $V_{SS} = AVSS0 = AVSS1 = V_{REFL0} = VSS\_USB = 0$  V,  
 $T_a = T_{opr}$

Item	Symbol	Min.	Typ.	Max.	Unit	Test Conditions
LOCO clock cycle time	$t_{Lcyc}$	3.78	4.16	4.63	$\mu$ s	
LOCO clock oscillation frequency	$f_{LOCO}$	216 (-10%)	240	264 (+10%)	kHz	
LOCO clock oscillation stabilization waiting time	$t_{LOCOWT}$	—	—	44	$\mu$ s	Figure 2.6
IWDT-dedicated low-speed clock cycle time	$t_{iLcyc}$	7.57	8.33	9.26	$\mu$ s	
IWDT-dedicated low-speed clock oscillation frequency	$f_{iLOCO}$	108 (-10%)	120	132 (+10%)	kHz	
IWDT-dedicated low-speed clock oscillation stabilization waiting time	$t_{iLOCOWT}$	—	142	190	$\mu$ s	Figure 2.7



**Figure 2.6 LOCO Clock Oscillation Start Timing**

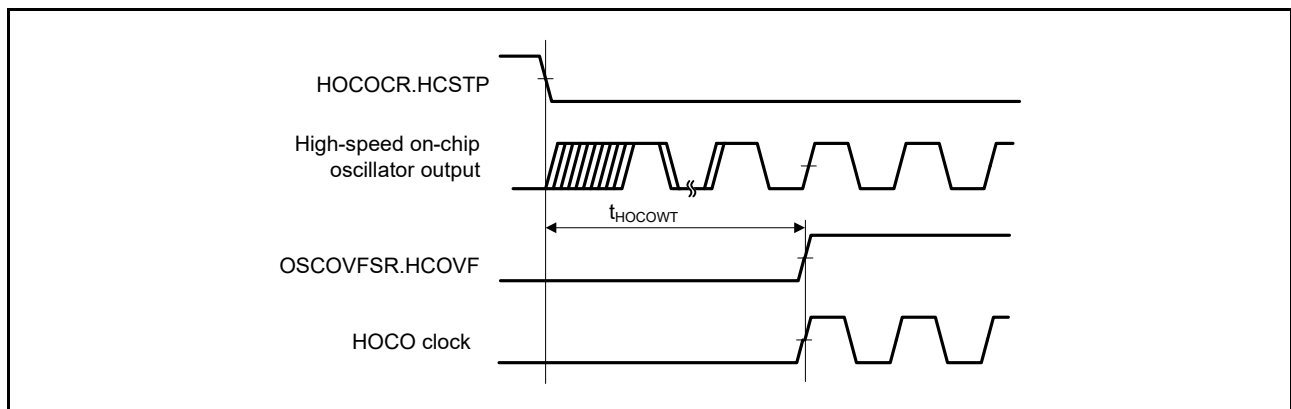


**Figure 2.7 IWDT-dedicated Low-Speed Clock Oscillation Start Timing**

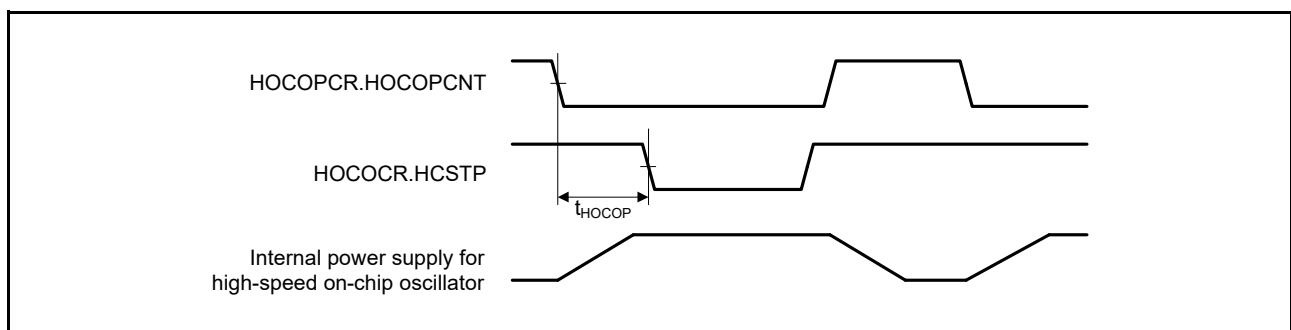
**Table 2.19 HOCO Clock Timing**

Conditions:  $V_{CC} = AVCC0 = AVCC1 = VCC\_USB = V_{BATT} = 2.7$  to  $3.6$  V,  $2.7$  V  $\leq VREFH0 \leq AVCC0$ ,  
 $VSS = AVSS0 = AVSS1 = VREFL0 = VSS\_USB = 0$  V,  
 $T_a = T_{opr}$

Item	Symbol	Min.	Typ.	Max.	Unit	Test Conditions	
HOCO clock oscillation frequency	FLL not in use	$f_{HOCO}$	15.616 (-2.40%)	16	16.384 (+2.40%)	MHz	$-20^{\circ}\text{C} \leq T_a$
			17.568 (-2.40%)	18	18.432 (+2.40%)		
			19.520 (-2.40%)	20	20.480 (+2.40%)		
			15.520 (-3.00%)	16	16.480 (+3.00%)		
			17.460 (-3.00%)	18	18.540 (+3.00%)		
			19.400 (-3.00%)	20	20.600 (+3.00%)		
HOCO clock oscillation frequency	FLL in use	$f_{HOCO}$	15.960 (-0.25%)	16	16.040 (+0.25%)	MHz	Sub-clock frequency precision: $\pm 50$ ppm
			17.955 (-0.25%)	18	18.045 (+0.25%)		
			19.950 (-0.25%)	20	20.050 (+0.25%)		
HOCO clock oscillation stabilization waiting time	$t_{HOCOWT}$	—	105	149	$\mu\text{s}$	Figure 2.8	
HOCO clock power supply stabilization time	$t_{HOCOP}$	—	—	150	$\mu\text{s}$	Figure 2.9	
FLL stabilization waiting time	$t_{FLLWT}$	—	—	1.8	ms		



**Figure 2.8 HOCO Clock Oscillation Start Timing (Oscillation is Started by Setting the HOCOCR.HCSTP Bit)**

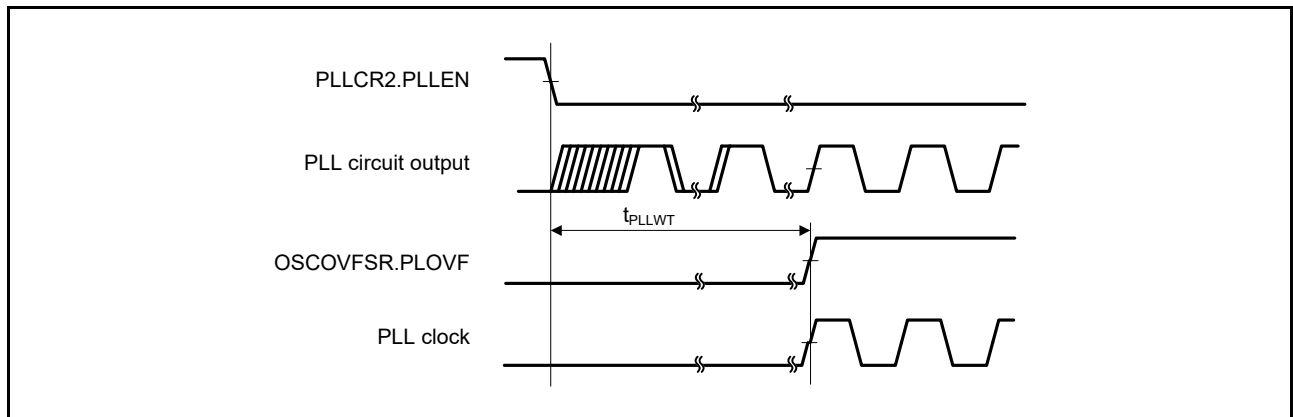


**Figure 2.9 High-Speed On-Chip Oscillator Power Supply Control Timing**

**Table 2.20 PLL Clock Timing**

Conditions:  $V_{CC} = AVCC0 = AVCC1 = V_{CC\_USB} = V_{BATT} = 2.7$  to  $3.6$  V,  $2.7$  V  $\leq V_{REFH0} \leq AVCC0$ ,  
 $V_{SS} = AVSS0 = AVSS1 = V_{REFL0} = V_{SS\_USB} = 0$  V,  
 $T_a = T_{opr}$

Item	Symbol	Min.	Typ.	Max.	Unit	Test Conditions
PLL clock oscillation frequency	$f_{PLL}$	120	—	240	MHz	
PLL clock oscillation stabilization waiting time	$t_{PLLWT}$	—	259	320	$\mu$ s	Figure 2.10



**Figure 2.10 PLL Clock Oscillation Start Timing**

**Table 2.21 Sub-Clock Timing**

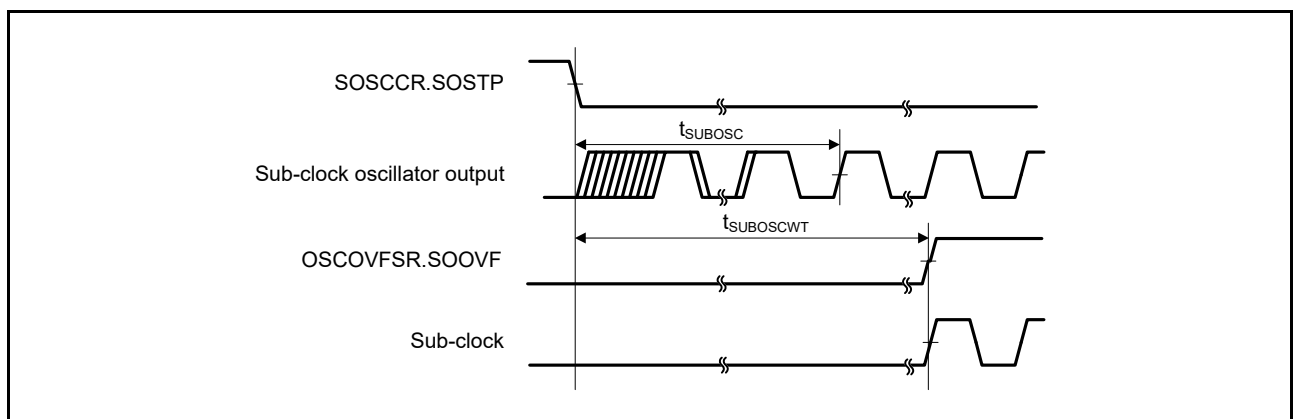
Conditions:  $V_{CC} = AVCC0 = AVCC1 = V_{CC\_USB} = 2.7$  to  $3.6$  V,  $2.7$  V  $\leq V_{REFH0} \leq AVCC0$ ,  
 $V_{SS} = AVSS0 = AVSS1 = V_{REFL0} = V_{SS\_USB} = 0$  V,  
 When a low  $C_L$  crystal resonator is in use:  $V_{BATT} = 2.0$  to  $3.6$  V,  
 When a standard  $C_L$  crystal resonator is in use:  $V_{BATT} = 1.62$  to  $3.6$  V,  $T_a = T_{opr}$

Item	Symbol	Min.	Typ.	Max.	Unit	Test Conditions
Sub-clock oscillation frequency	$f_{SUB}$	—	32.768	—	kHz	
Sub-clock oscillation stabilization time	$t_{SUBOSC}$	—	—	*1	s	Figure 2.11
Sub-clock oscillation stabilization waiting time	$t_{SUBOSCWT}$	—	—	*2	s	

Note 1. When using a sub-clock, ask the manufacturer of the oscillator to evaluate its oscillation. Refer to the results of evaluation provided by the manufacturer for the oscillation stabilization time.

Note 2. The number of cycles selected by the value of the SOSWTCR.SSTS[7:0] bits determines the sub-clock oscillation stabilization waiting time in accord with the formula below.

$$t_{SUBOSCWT} = [(SSTS[7:0] \text{ bits} \times 16384) + 10] / f_{LOCO}$$



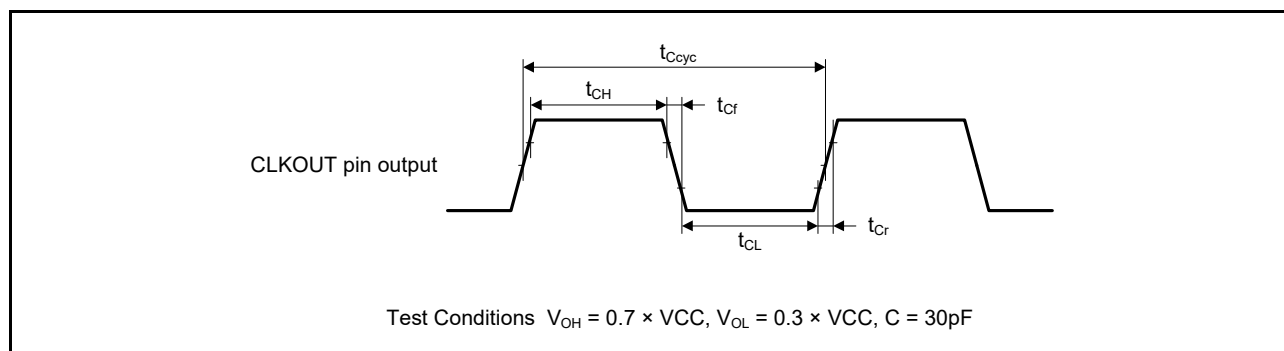
**Figure 2.11 Sub-Clock Oscillation Start Timing**

**Table 2.22 CLKOUT Pin Output Timing**

Conditions:  $VCC = AVCC0 = AVCC1 = VCC\_USB = V_{BATT} = 2.7$  to  $3.6$  V,  $2.7$  V  $\leq$   $VREFH0 \leq AVCC0$ ,  
 $VSS = AVSS0 = AVSS1 = VREFL0 = VSS\_USB = 0$  V,  
 $T_a = T_{opr}$ ,  
 High-drive output is selected by the drive capacity control register

Item	Symbol	Min.	Typ.	Max.	Unit	Test Conditions
CLKOUT pin output cycle time	$t_{Cyc}$	25	—	—	ns	Figure 2.12 $t_{Cyc} = 25$ ns
CLKOUT pin output high pulse width*1	$t_{CH}$	5	—	—	ns	
CLKOUT pin output low pulse width*1	$t_{CL}$	5	—	—	ns	
CLKOUT pin output rising time	$t_{Cr}$	—	—	5	ns	
CLKOUT pin output falling time	$t_{Cf}$	—	—	5	ns	

Note 1. If the main clock oscillator is selected by the CLKOUT output source select bit (CKOCR.CKOSEL[2:0]) and the external clock input is selected by the main clock oscillator switching bit (MOFCR.MOSEL), the pulse width depends on the input clock wave form.



**Figure 2.12 CLKOUT Pin Output Timing**

## 2.4.3 Timing of Recovery from Low Power Consumption Modes

**Table 2.23 Timing of Recovery from Low Power Consumption Modes (1)**

Conditions:  $VCC = AVCC0 = AVCC1 = VCC\_USB = V_{BATT} = 2.7$  to  $3.6$  V,  $2.7$  V  $\leq$   $VREFH0 \leq AVCC0$ ,  
 $VSS = AVSS0 = AVSS1 = VREFL0 = VSS\_USB = 0$  V,  
 $T_a = T_{opr}$

Item	Symbol	Min.	Typ.	Max.		Unit	Test Conditions		
				$t_{SBYOSCWT}^{*2}$	$t_{SBYSEQ}^{*3}$				
Recovery time from software standby mode *1	Crystal resonator connected to main clock oscillator	Main clock oscillator operating	$t_{SBYMC}$	—	—	$\{(MSTS[7:0] \text{ bit} \times 32) + 76\} / 0.216$	$100 + 7 / f_{ICLK} + 2n / f_{MAIN}$	$\mu$ s	Figure 2.13
		Main clock oscillator and PLL circuit operating	$t_{SBYPC}$	—	—	$\{(MSTS[7:0] \text{ bit} \times 32) + 138\} / 0.216$	$100 + 7 / f_{ICLK} + 2n / f_{PLL}$		
	External clock input to main clock oscillator	Main clock oscillator operating	$t_{SBYEX}$	—	—	352	$100 + 7 / f_{ICLK} + 2n / f_{EXMAIN}$		
		Main clock oscillator and PLL circuit operating	$t_{SBYPE}$	—	—	639	$100 + 7 / f_{ICLK} + 2n / f_{PLL}$		
	Sub-clock oscillator operating		$t_{SBYSC}$	—	—	$\{(SSTS[7:0] \text{ bit} \times 16384) + 13\} / 0.216 + 10 / f_{FCLK}$	$100 + 4 / f_{ICLK} + 2n / f_{SUE}$		
	High-speed on-chip oscillator operating	High-speed on-chip oscillator operating	$t_{SBYHO}$	—	—	454	$100 + 7 / f_{ICLK} + 2n / f_{HOCCO}$		
		High-speed on-chip oscillator operating and PLL circuit operating	$t_{SBYPH}$	—	—	741	$100 + 7 / f_{ICLK} + 2n / f_{PLL}$		
	Low-speed on-chip oscillator operating*4		$t_{SBYLO}$	—	—	338	$100 + 7 / f_{ICLK} + 2n / f_{LOCO}$		

Note 1. The time for recovery from software standby mode is determined by the value obtained by adding the oscillation stabilization waiting time ( $t_{SBYOSCWT}$ ) and the time required for operations by the software standby release sequencer ( $t_{SBYSEQ}$ ).

Note 2. When several oscillators were running before the transition to software standby, the greatest value of the oscillation stabilization waiting time  $t_{SBYOSCWT}$  is selected.

Note 3. For n, the greatest value is selected from among the internal clock division settings.

Note 4. This condition applies when  $f_{ICLK}:f_{FCLK} = 1:1, 2:1, \text{ or } 4:1$ .

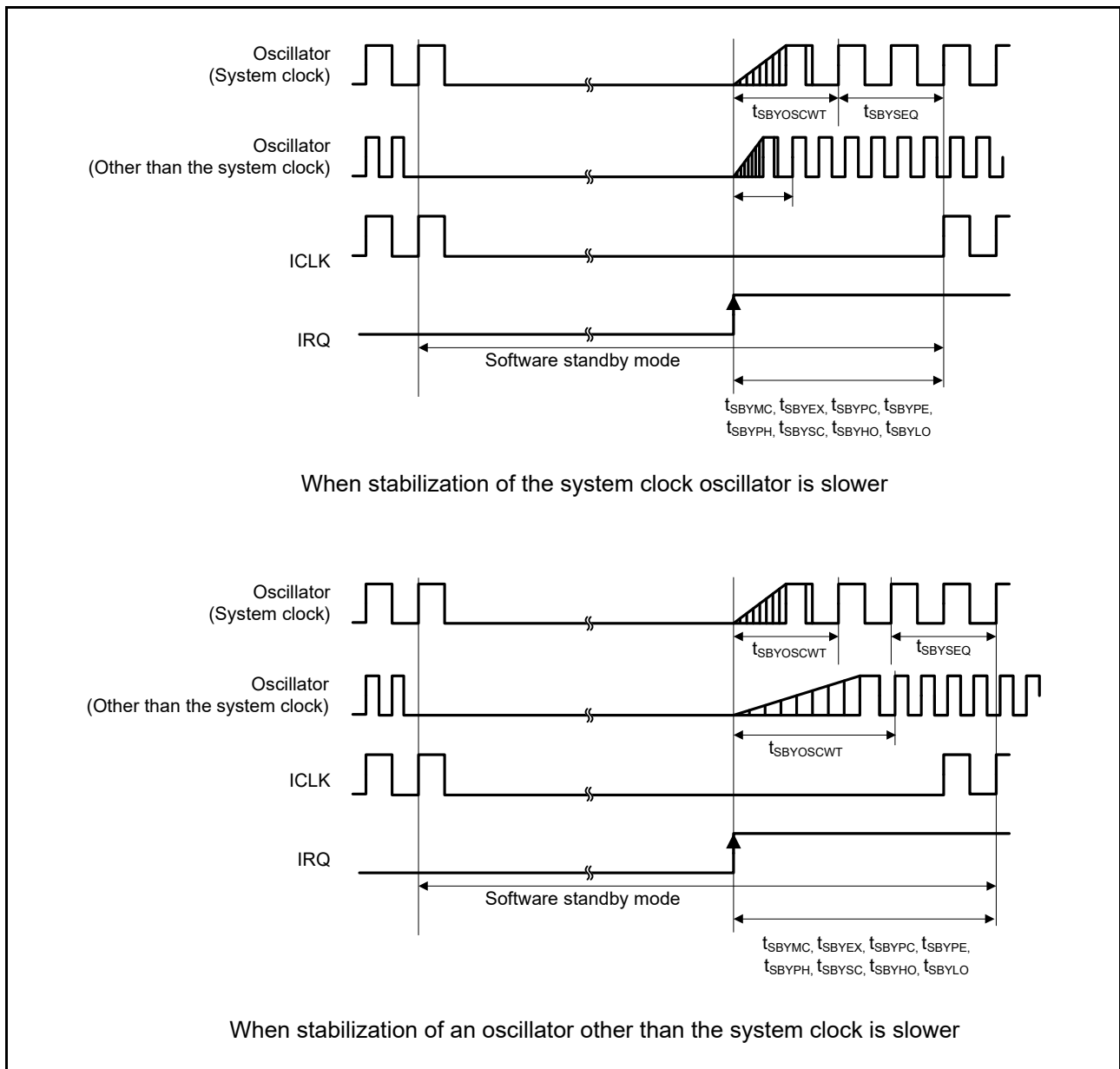
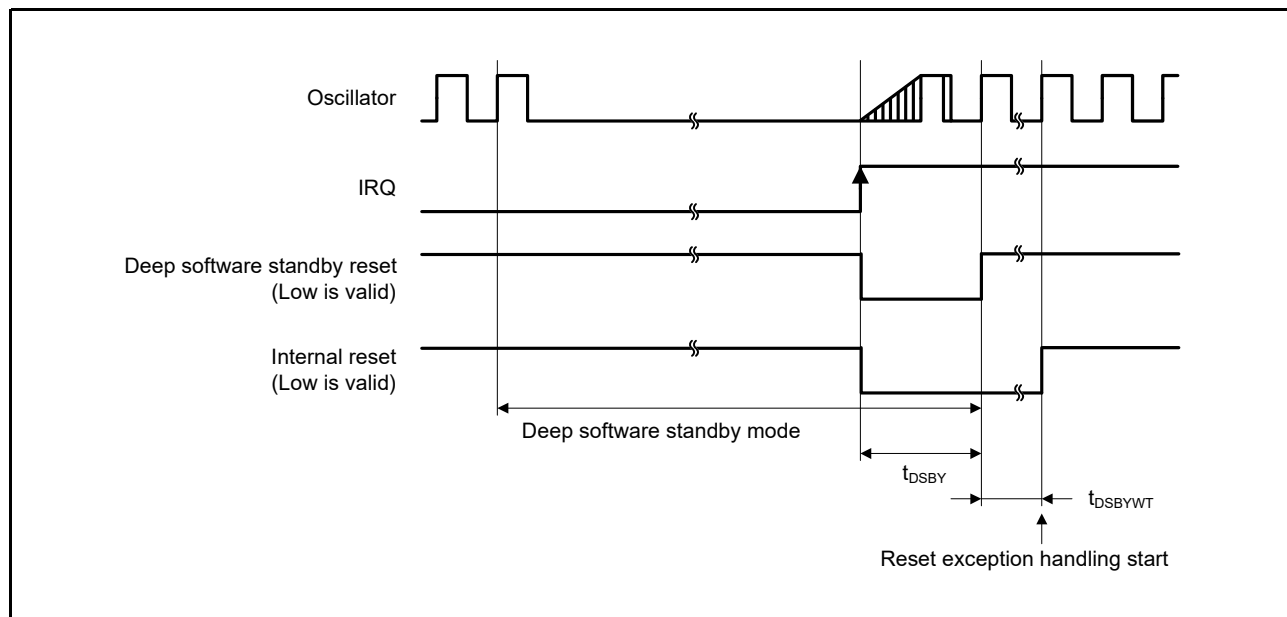


Figure 2.13 Software Standby Mode Recovery Timing

**Table 2.24 Timing of Recovery from Low Power Consumption Modes (2)**

Conditions:  $VCC = AVCC0 = AVCC1 = VCC\_USB = V_{BATT} = 2.7$  to  $3.6$  V,  $2.7$  V  $\leq$   $VREFH0 \leq AVCC0$ ,  
 $VSS = AVSS0 = AVSS1 = VREFL0 = VSS\_USB = 0$  V,  
 $T_a = T_{opr}$

Item	Symbol	Min.	Typ.	Max.	Unit	Test Conditions
Recovery time from deep software standby mode	$t_{DSBY}$	—	—	0.9	ms	Figure 2.14
Waiting time after recovery from deep software standby mode	$t_{DSBYWT}$	23	—	24	$t_{Lcyc}$	



**Figure 2.14 Deep Software Standby Mode Recovery Timing**

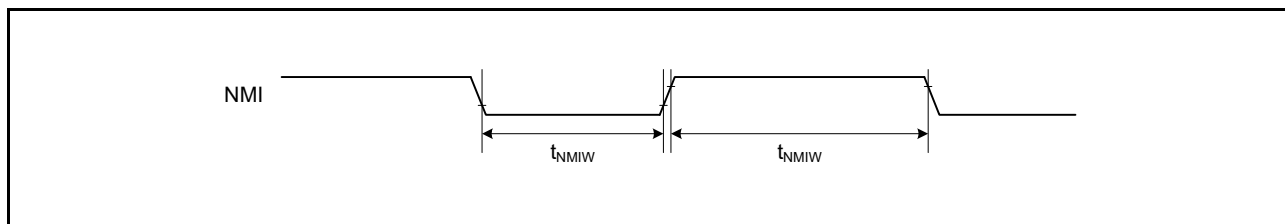
### 2.4.4 Control Signal Timing

**Table 2.25 Control Signal Timing**

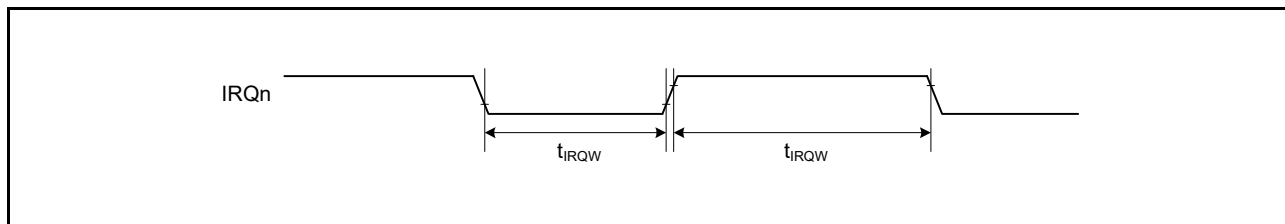
Conditions:  $VCC = AVCC0 = AVCC1 = VCC\_USB = V_{BATT} = 2.7$  to  $3.6$  V,  $2.7$  V  $\leq$   $VREFH0 \leq AVCC0$ ,  
 $VSS = AVSS0 = AVSS1 = VREFL0 = VSS\_USB = 0$  V,  
 $PCLKB = 8$  to  $60$  MHz,  $T_a = T_{opr}$

Item	Symbol	Min.*1	Typ.	Max.	Unit	Test Conditions*1
NMI pulse width	$t_{NMIW}$	200	—	—	ns	$t_{PBcyc} \times 2 \leq 200$ ns, Figure 2.15
		$t_{PBcyc} \times 2$	—	—		$t_{PBcyc} \times 2 > 200$ ns, Figure 2.15
IRQ pulse width	$t_{IRQW}$	200	—	—	ns	$t_{PBcyc} \times 2 \leq 200$ ns, Figure 2.16
		$t_{PBcyc} \times 2$	—	—		$t_{PBcyc} \times 2 > 200$ ns, Figure 2.16

Note 1.  $t_{PBcyc}$ : PCLKB cycle



**Figure 2.15 NMI Interrupt Input Timing**



**Figure 2.16 IRQ Interrupt Input Timing**



## 2.4.5 Bus Timing

**Table 2.26 Bus Timing**

Conditions:  $V_{CC} = AVCC0 = AVCC1 = V_{CC\_USB} = V_{BATT} = 2.7$  to  $3.6$  V,  $2.7$  V  $\leq V_{REFH0} \leq AVCC0$ ,  
 $V_{SS} = AVSS0 = AVSS1 = V_{REFL0} = V_{SS\_USB} = 0$  V,  
 $ICLK = PCLKA = 8$  to  $120$  MHz,  $PCLKB = BCLK = SDCLK = 8$  to  $60$  MHz,  $T_a = T_{opr}$ ,  
 Output load conditions:  $V_{OH} = 0.5 \times V_{CC}$ ,  $V_{OL} = 0.5 \times V_{CC}$ ,  $C = 30$  pF,  
 High-drive output is selected by the drive capacity control register.

Item	Symbol	Min.	Max.	Unit	Test Conditions
Address delay time	$t_{AD}$	—	12.5	ns	Figure 2.17 to Figure 2.22
Byte control delay time	$t_{BCD}$	—	12.5	ns	
CS# delay time	$t_{CSD}$	—	12.5	ns	
ALE delay time	$t_{ALED}$	—	12.5	ns	
RD# delay time	$t_{RSD}$	—	12.5	ns	
Read data setup time	$t_{RDS}$	12.5	—	ns	
Read data hold time	$t_{RDH}$	0	—	ns	
WR# delay time	$t_{WRD}$	—	12.5	ns	
Write data delay time	$t_{WDD}$	—	12.5	ns	
Write data hold time	$t_{WDH}$	0	—	ns	
WAIT# setup time	$t_{WTS}$	12.5	—	ns	
WAIT# hold time	$t_{WTH}$	0	—	ns	
Address delay time 2 (SDRAM)	$t_{AD2}$	1	12.5	ns	Figure 2.24 to Figure 2.30
CS# delay time 2 (SDRAM)	$t_{CSD2}$	1	12.5	ns	
DQM delay time (SDRAM)	$t_{DQMD}$	1	12.5	ns	
CKE delay time (SDRAM)	$t_{CKED}$	1	12.5	ns	
Read data setup time 2 (SDRAM)	$t_{RDS2}$	10	—	ns	
Read data hold time 2 (SDRAM)	$t_{RDH2}$	0	—	ns	
Write data delay time 2 (SDRAM)	$t_{WDD2}$	—	12.5	ns	
Write data hold time 2 (SDRAM)	$t_{WDH2}$	1	—	ns	
WE# delay time (SDRAM)	$t_{WED}$	1	12.5	ns	
RAS# delay time (SDRAM)	$t_{RASD}$	1	12.5	ns	
CAS# delay time (SDRAM)	$t_{CASD}$	1	12.5	ns	

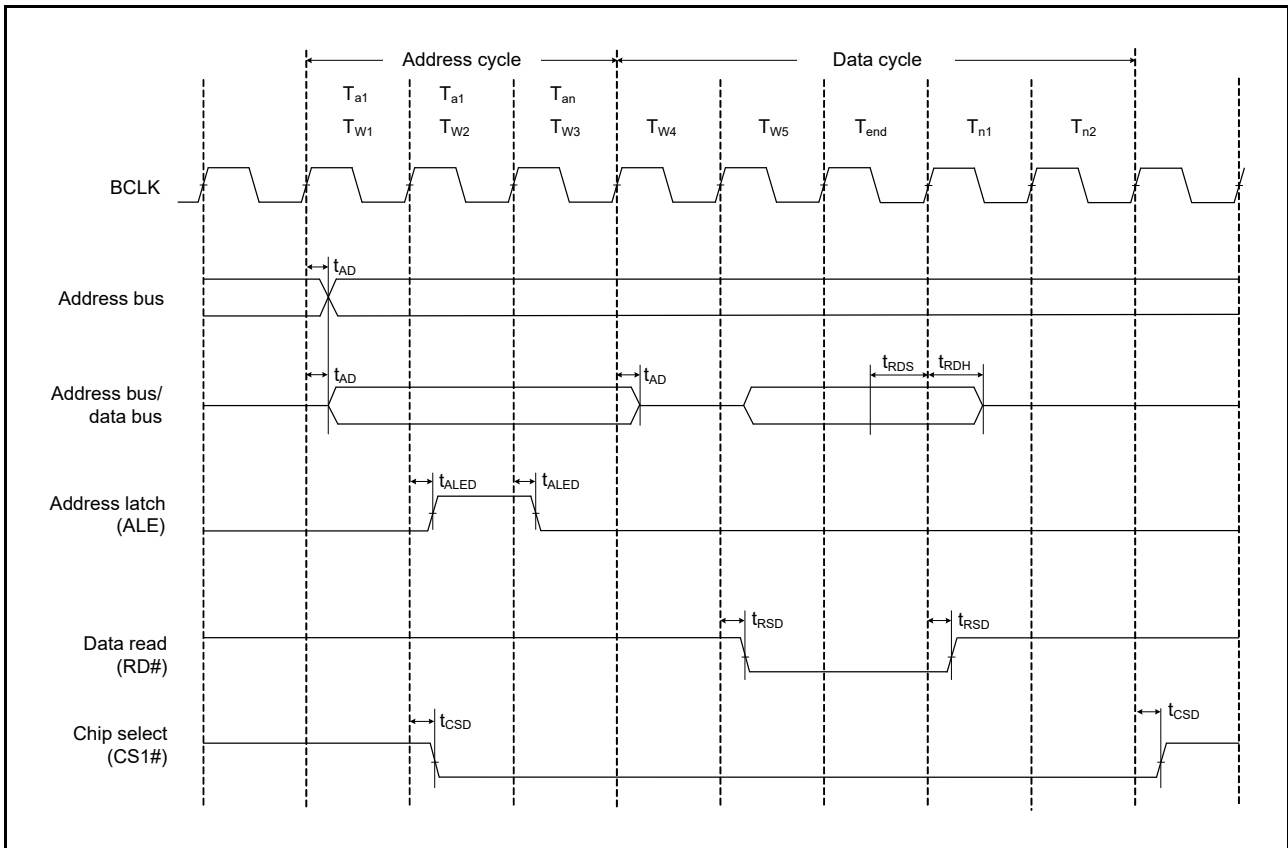


Figure 2.17 Address/Data Multiplexed Bus Read Access Timing

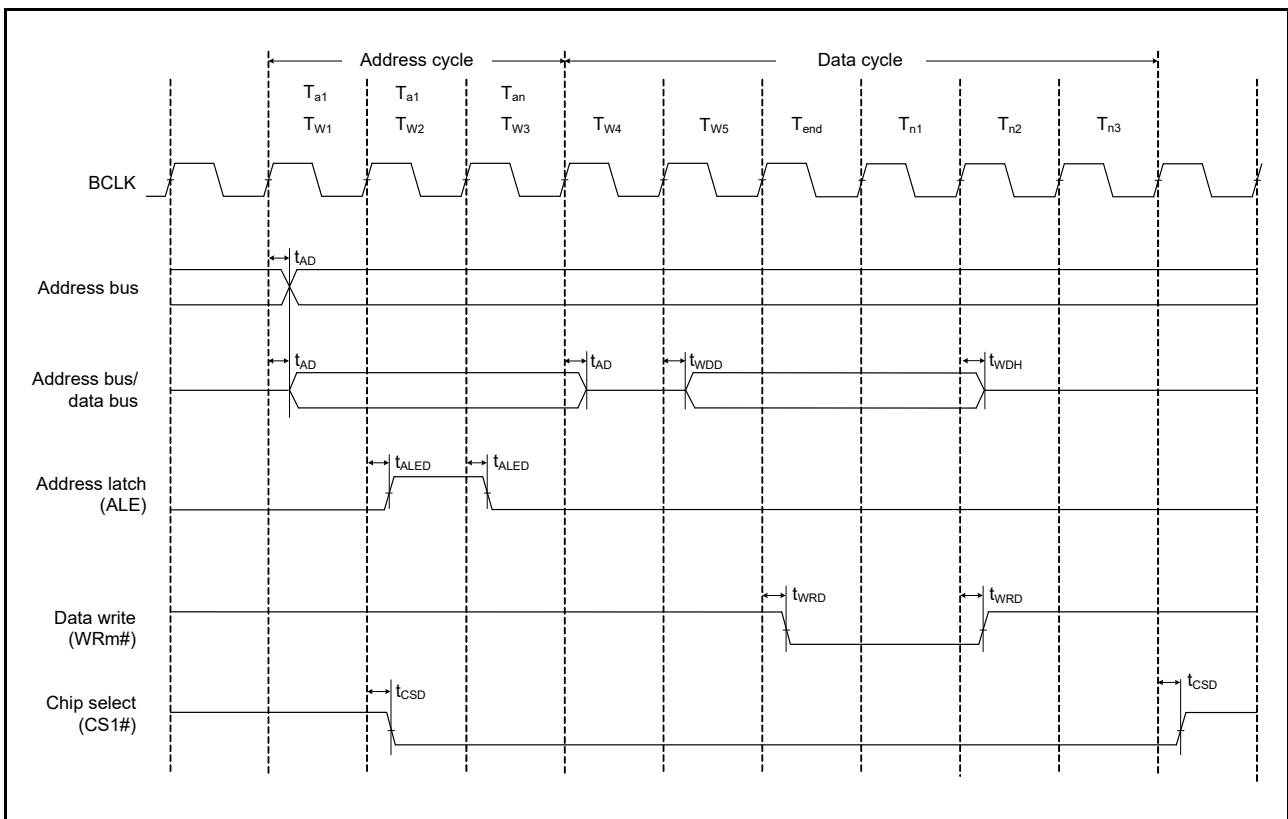


Figure 2.18 Address/Data Multiplexed Bus Write Access Timing

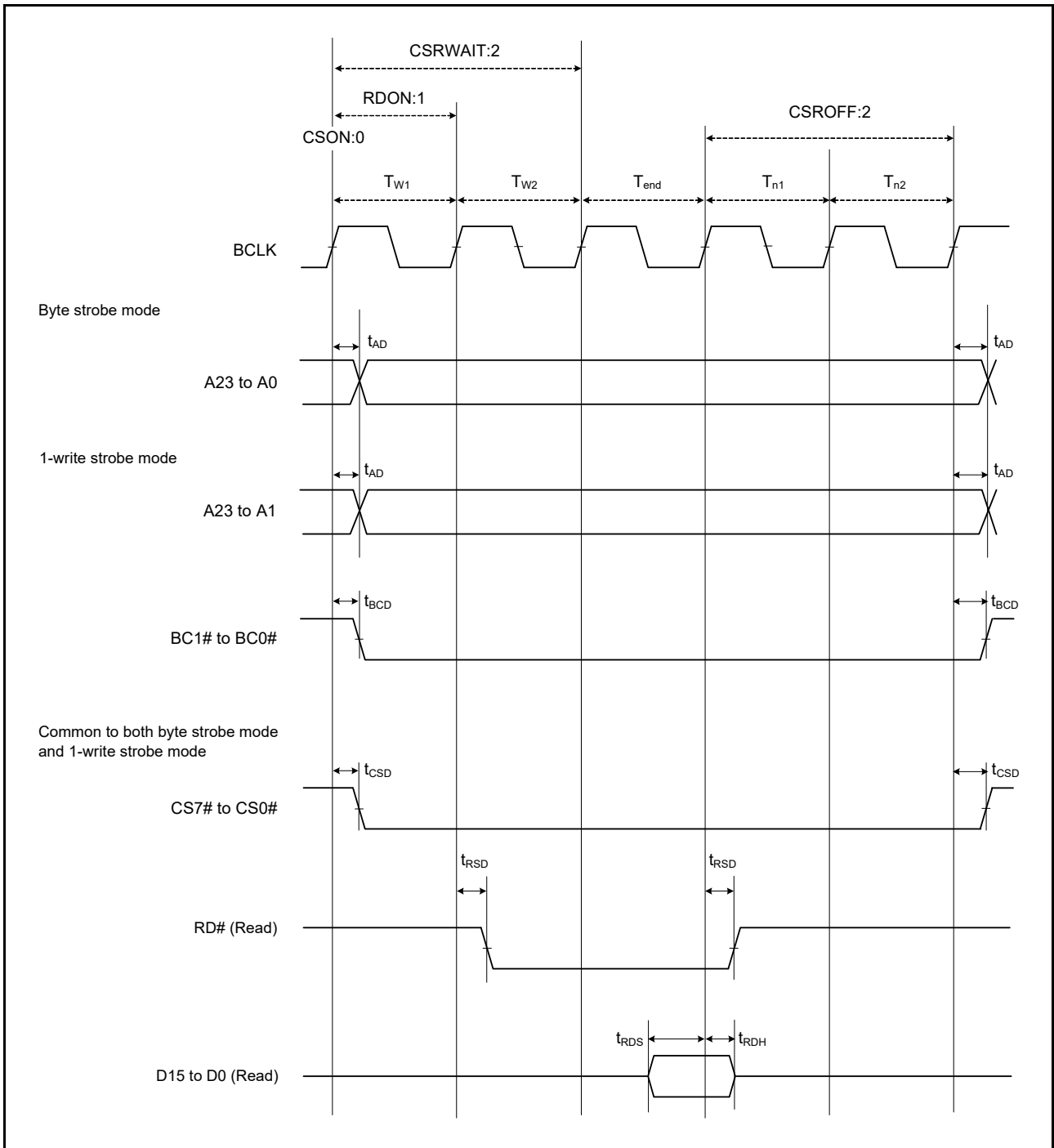


Figure 2.19 External Bus Timing/Normal Read Cycle (Bus Clock Synchronized)

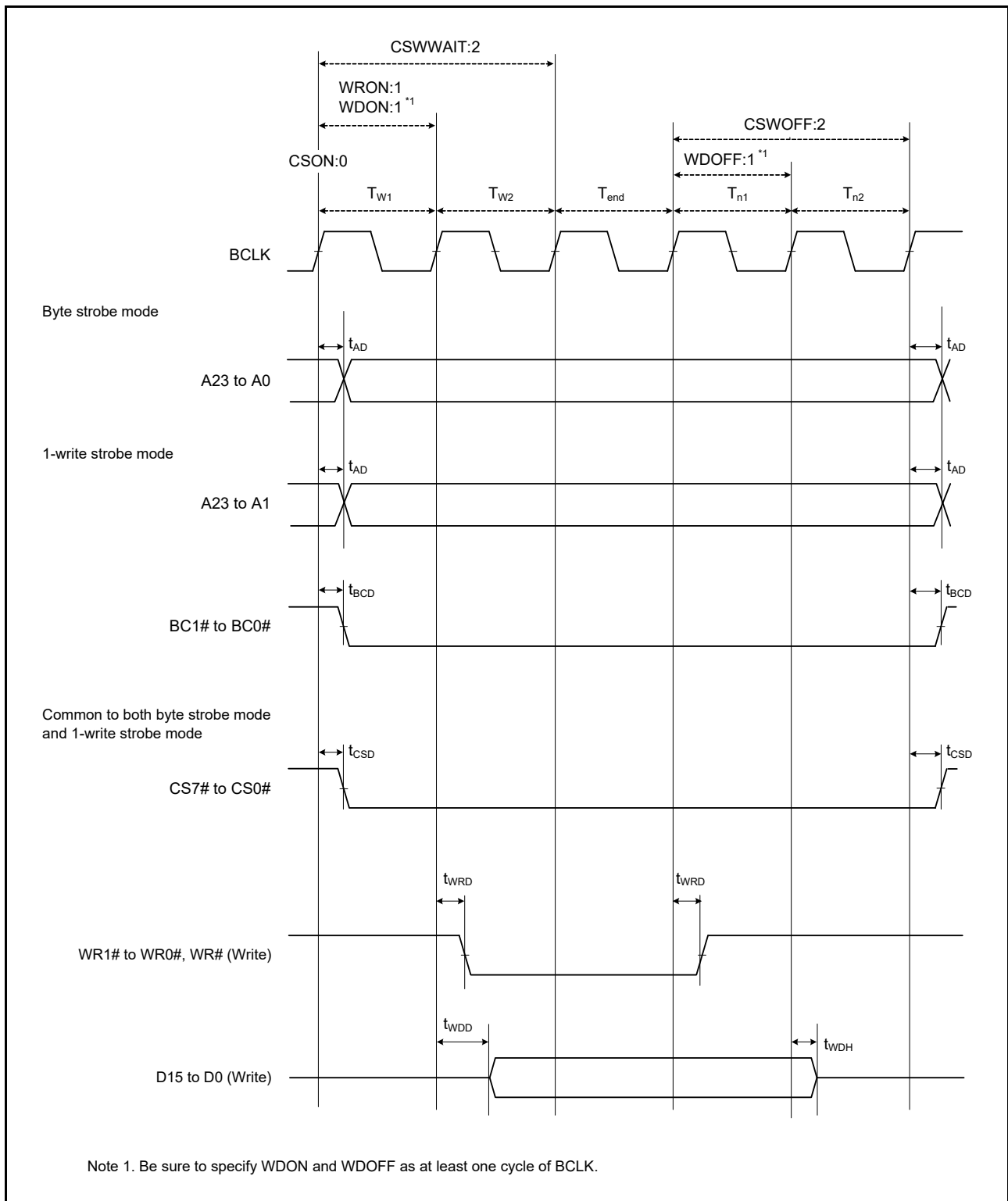


Figure 2.20 External Bus Timing/Normal Write Cycle (Bus Clock Synchronized)

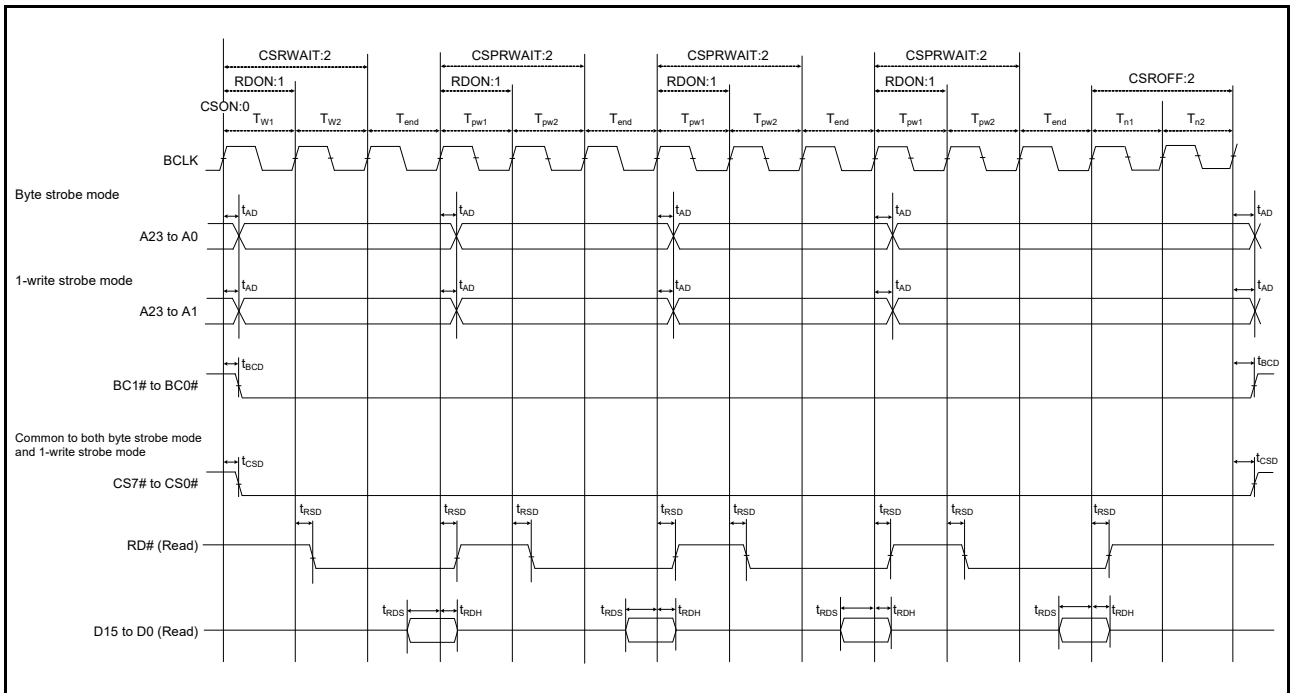


Figure 2.21 External Bus Timing/Page Read Cycle (Bus Clock Synchronized)

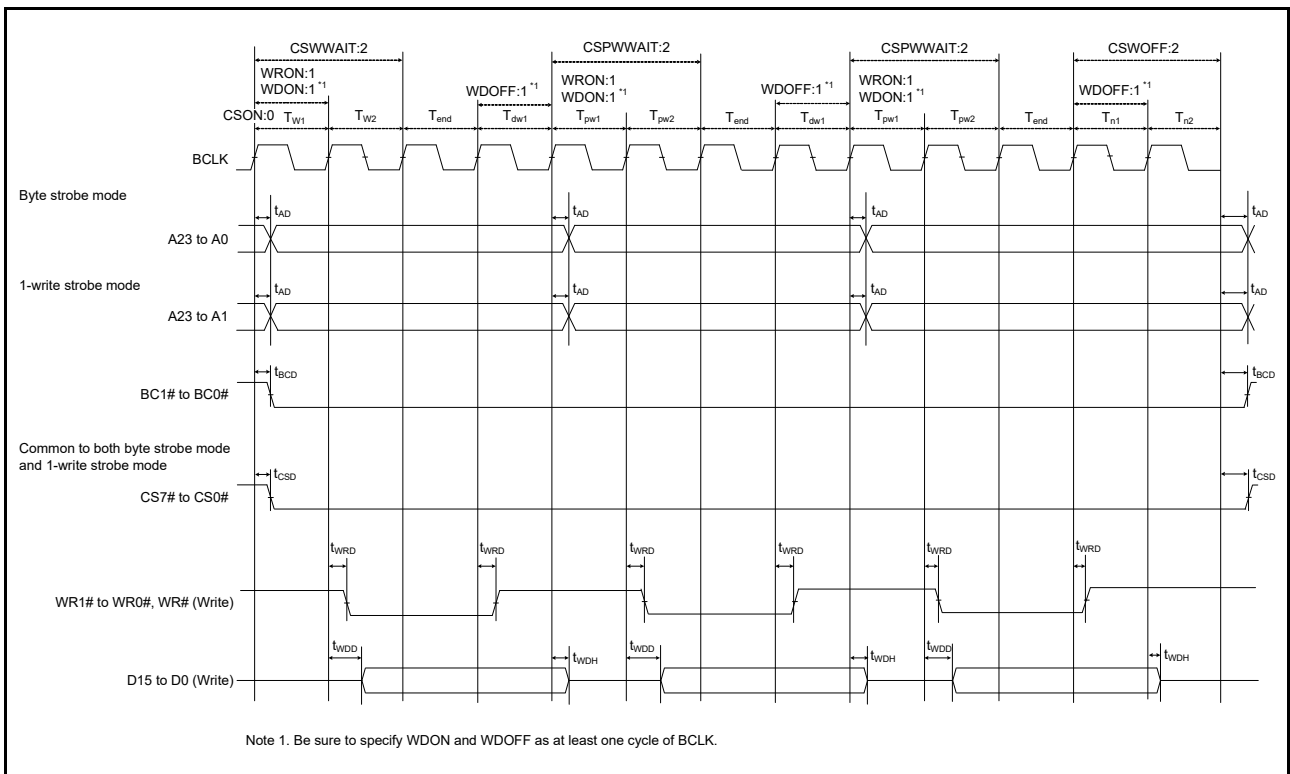


Figure 2.22 External Bus Timing/Page Write Cycle (Bus Clock Synchronized)

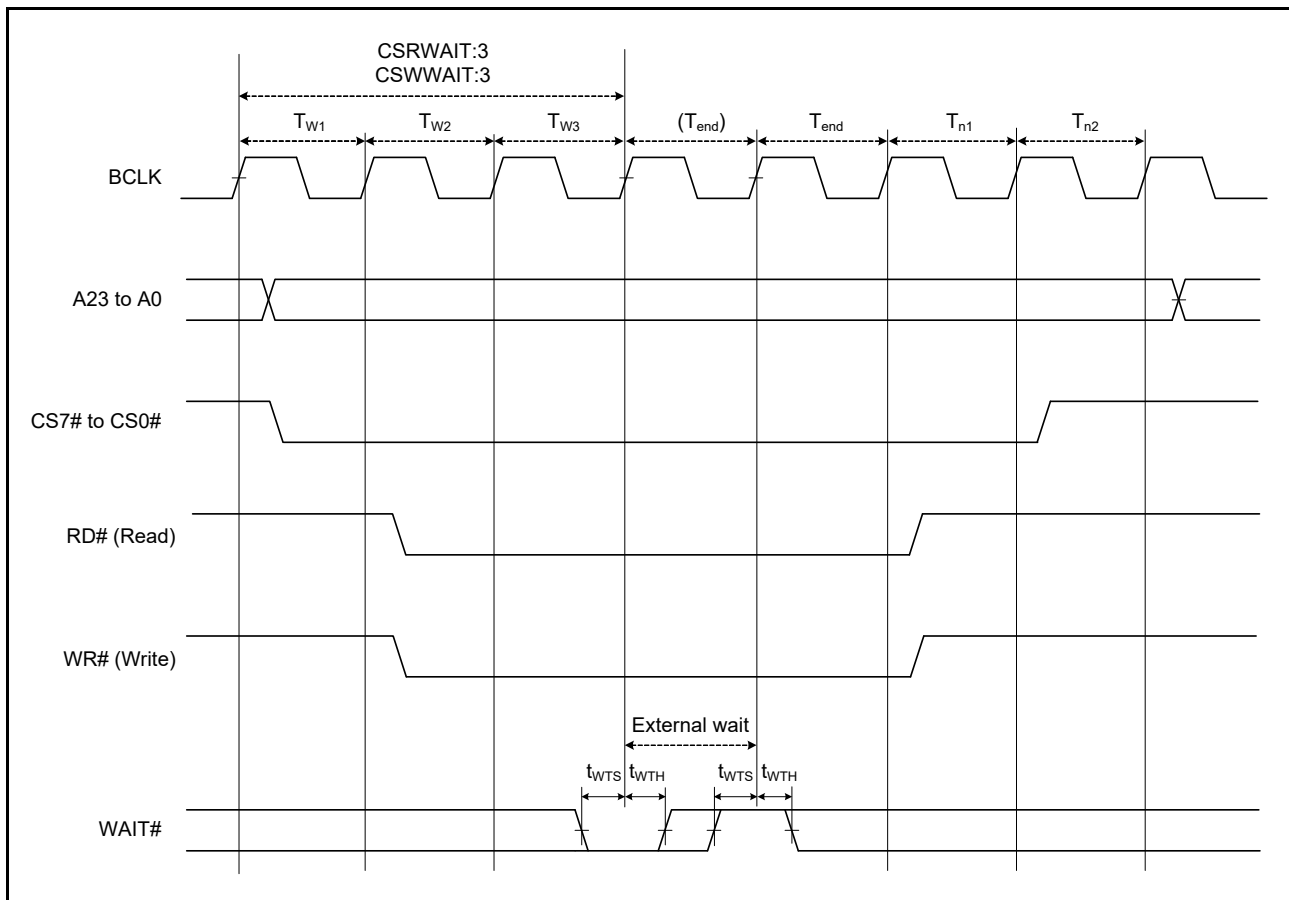


Figure 2.23 External Bus Timing/External Wait Control

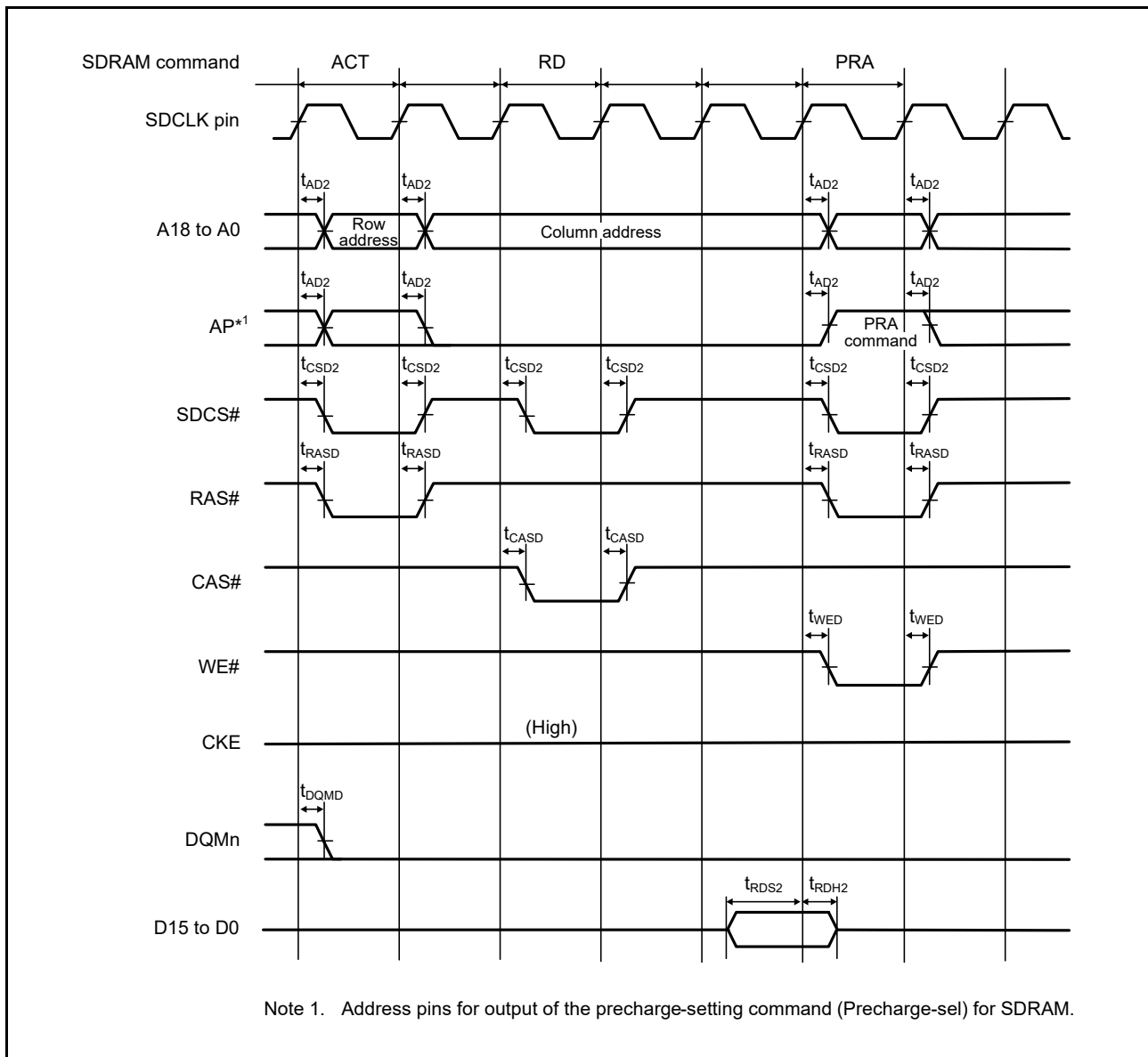


Figure 2.24 SDRAM Space Single Read Bus Timing

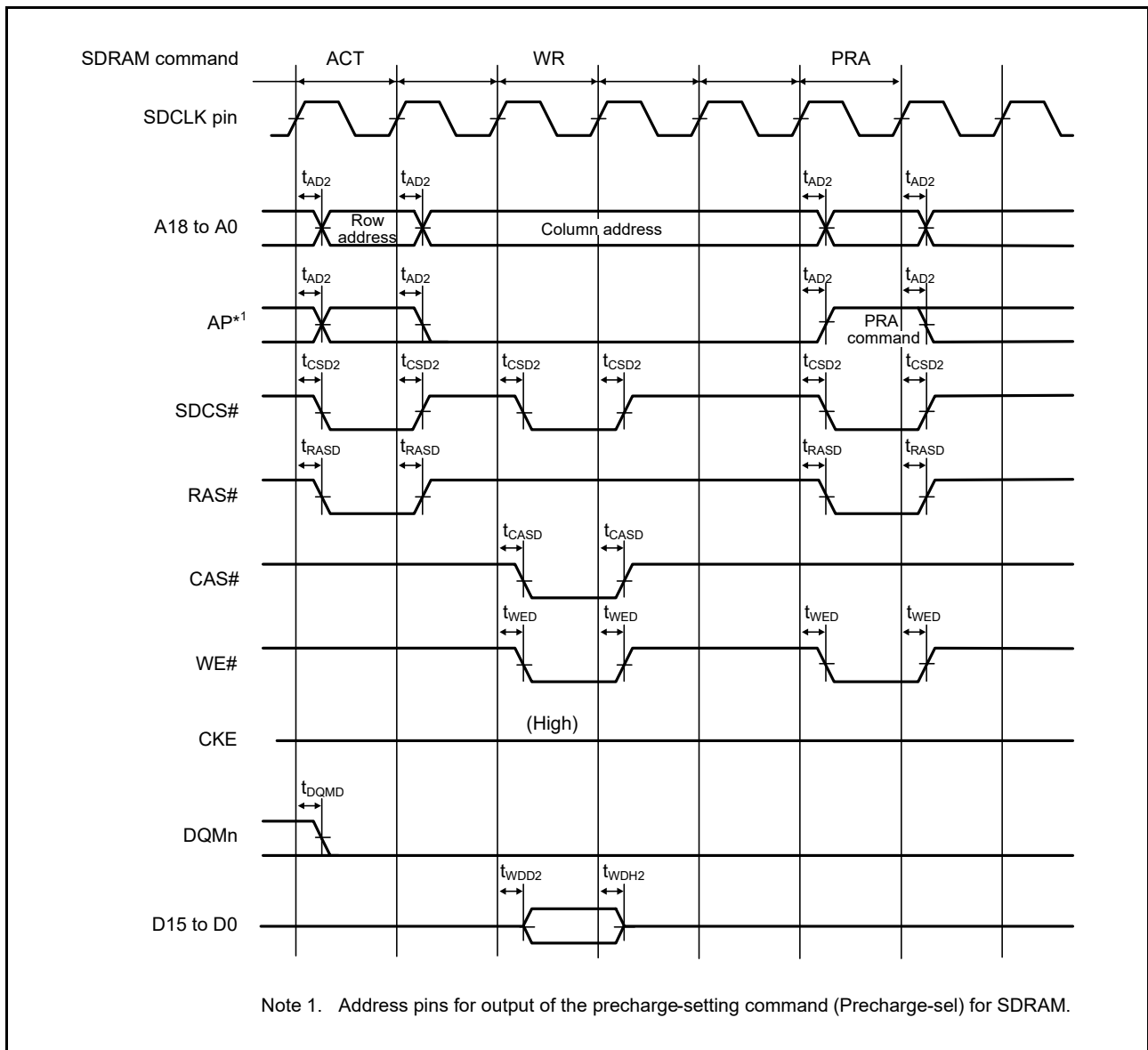


Figure 2.25 SDRAM Space Single Write Bus Timing



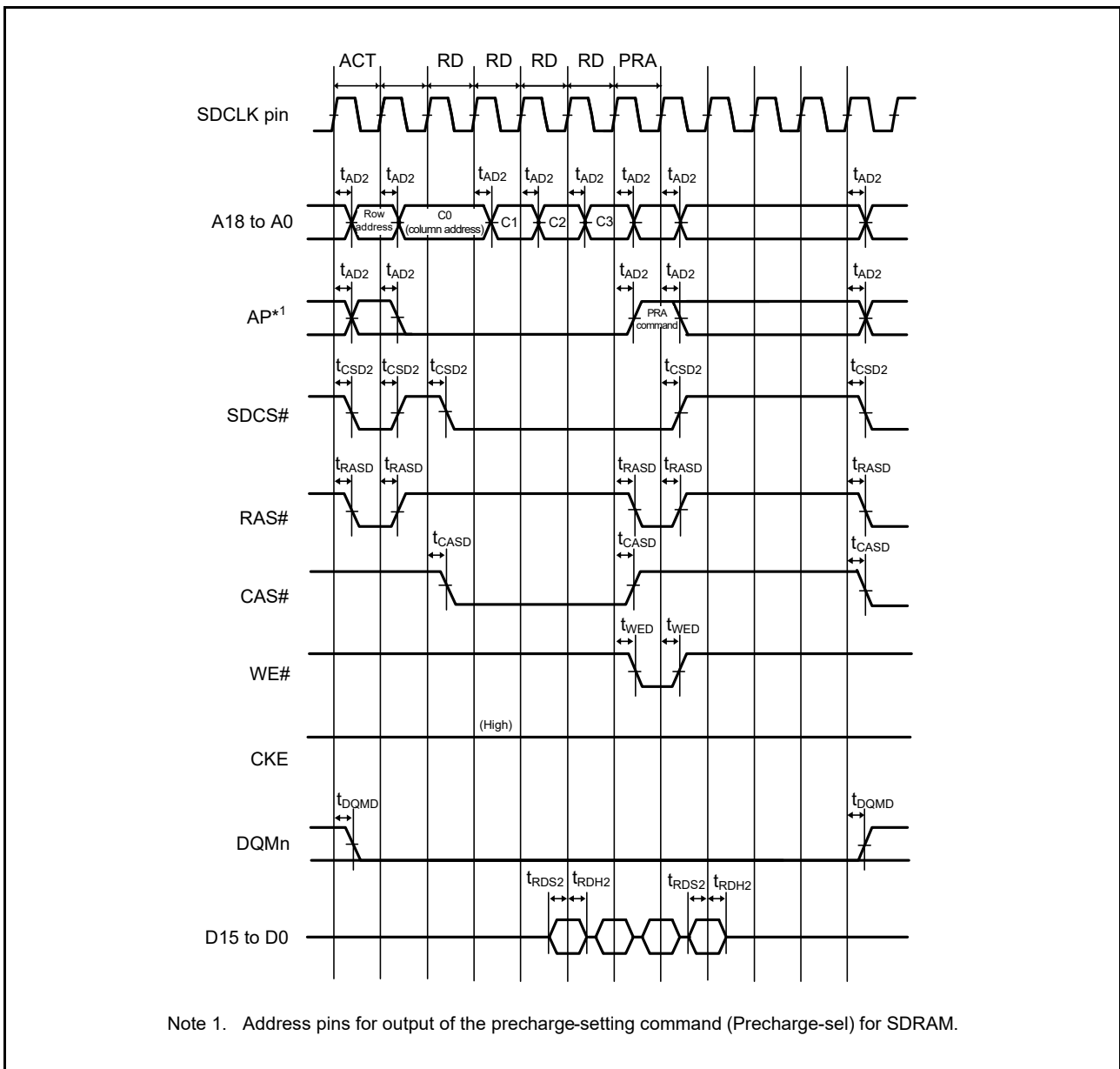


Figure 2.26 SDRAM Space Multiple Read Bus Timing

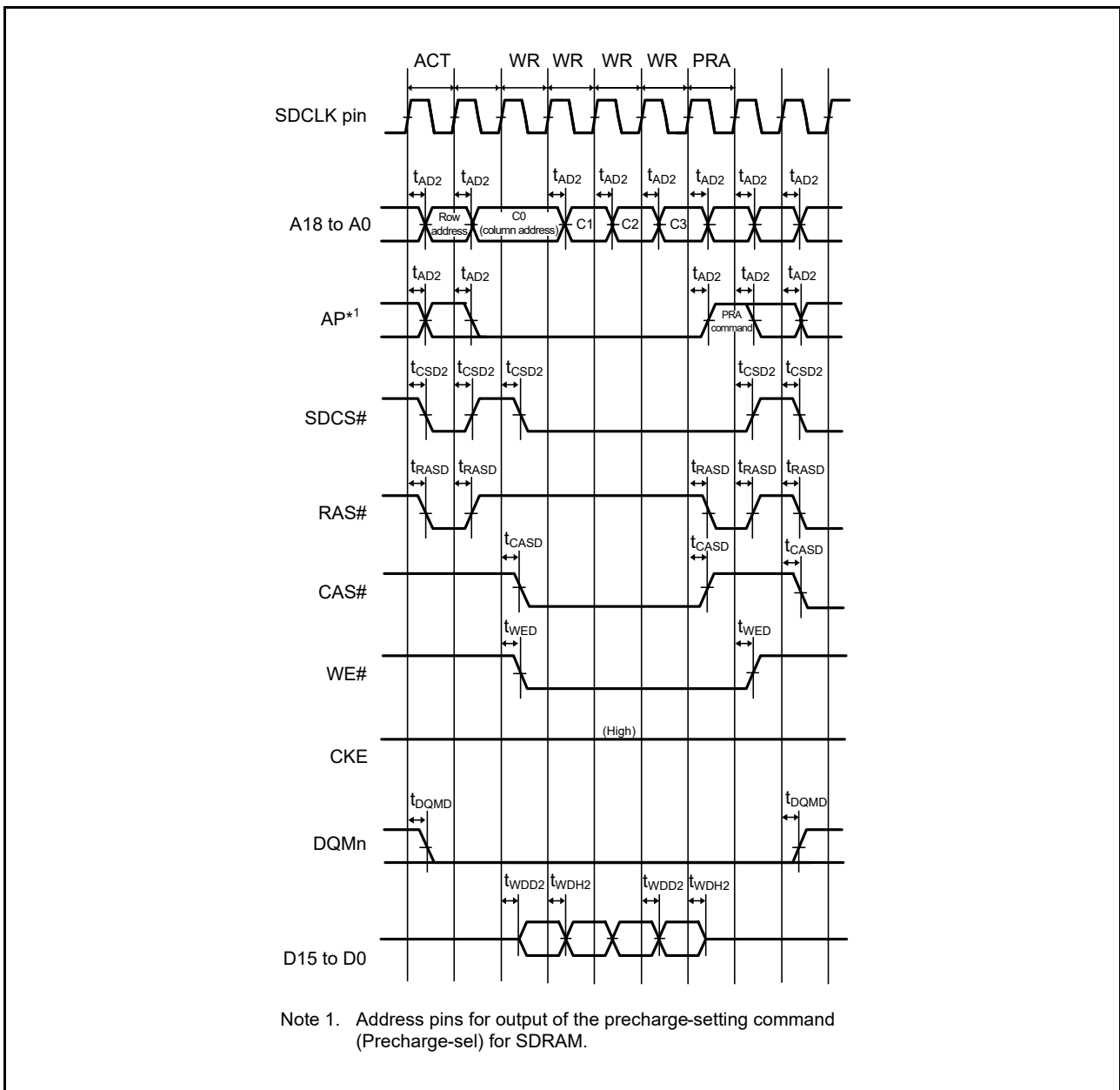


Figure 2.27 SDRAM Space Multiple Write Bus Timing

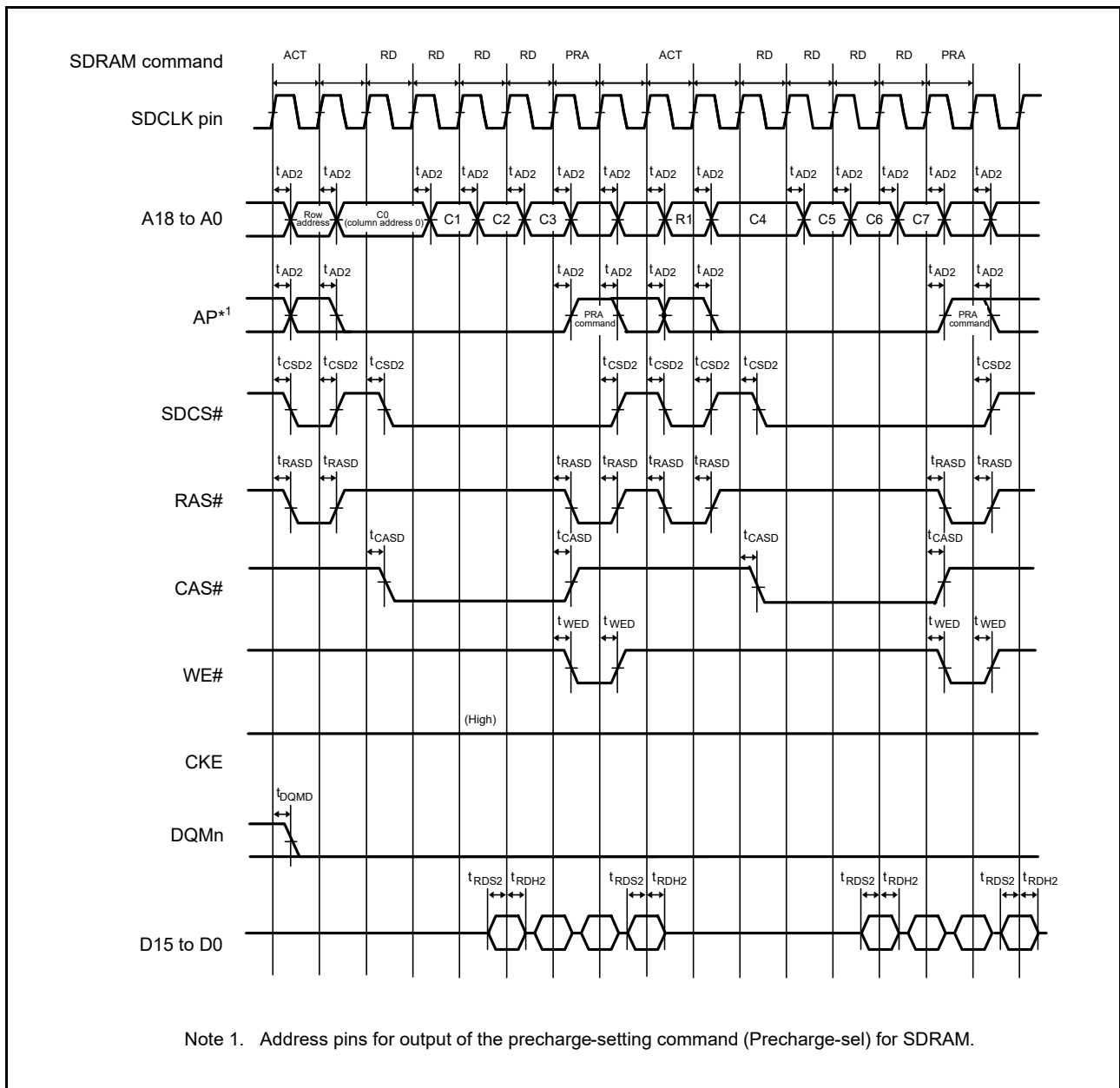


Figure 2.28 SDRAM Space Multiple Read Line Stride Bus Timing

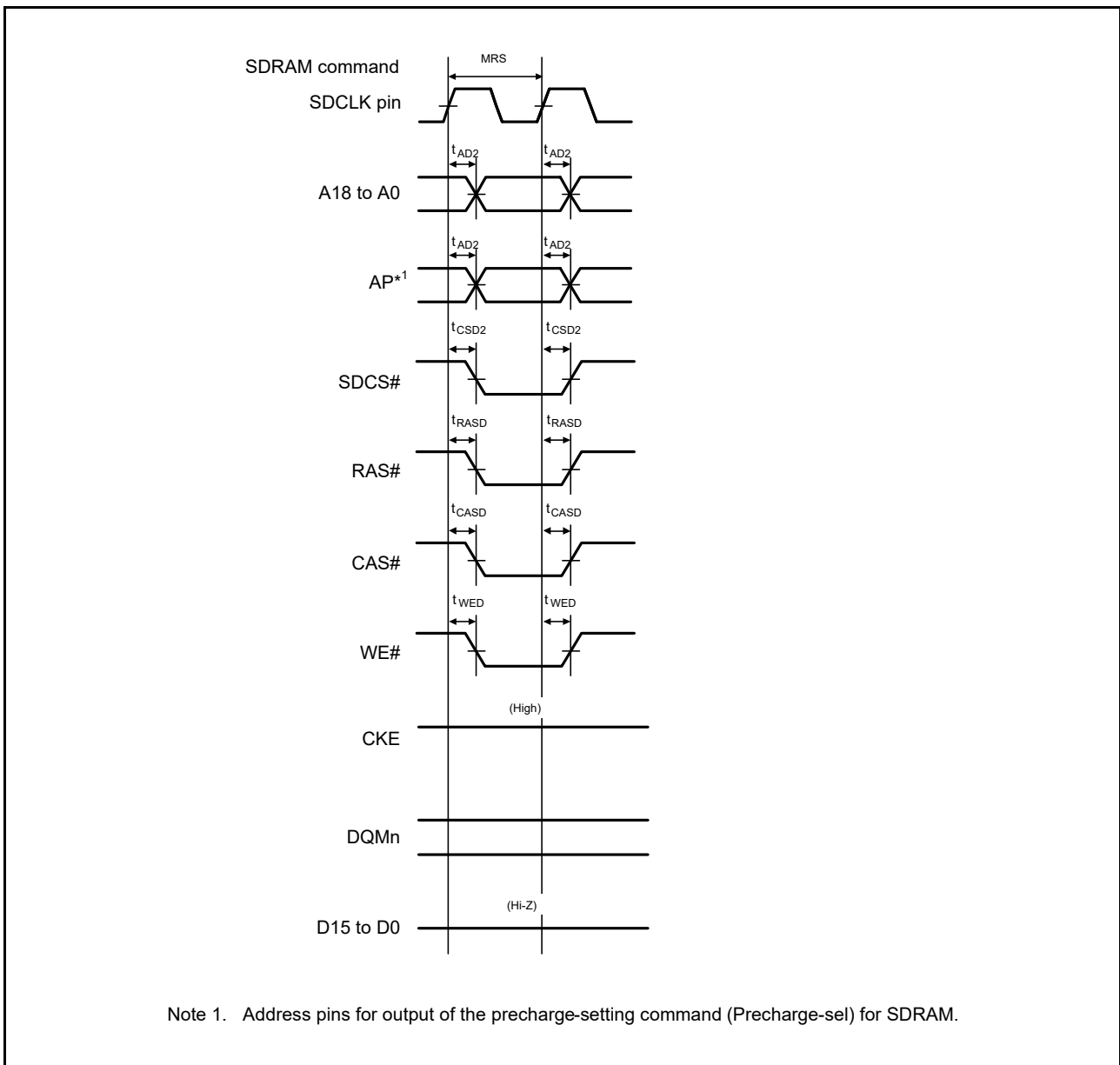


Figure 2.29 SDRAM Space Mode Register Set Bus Timing

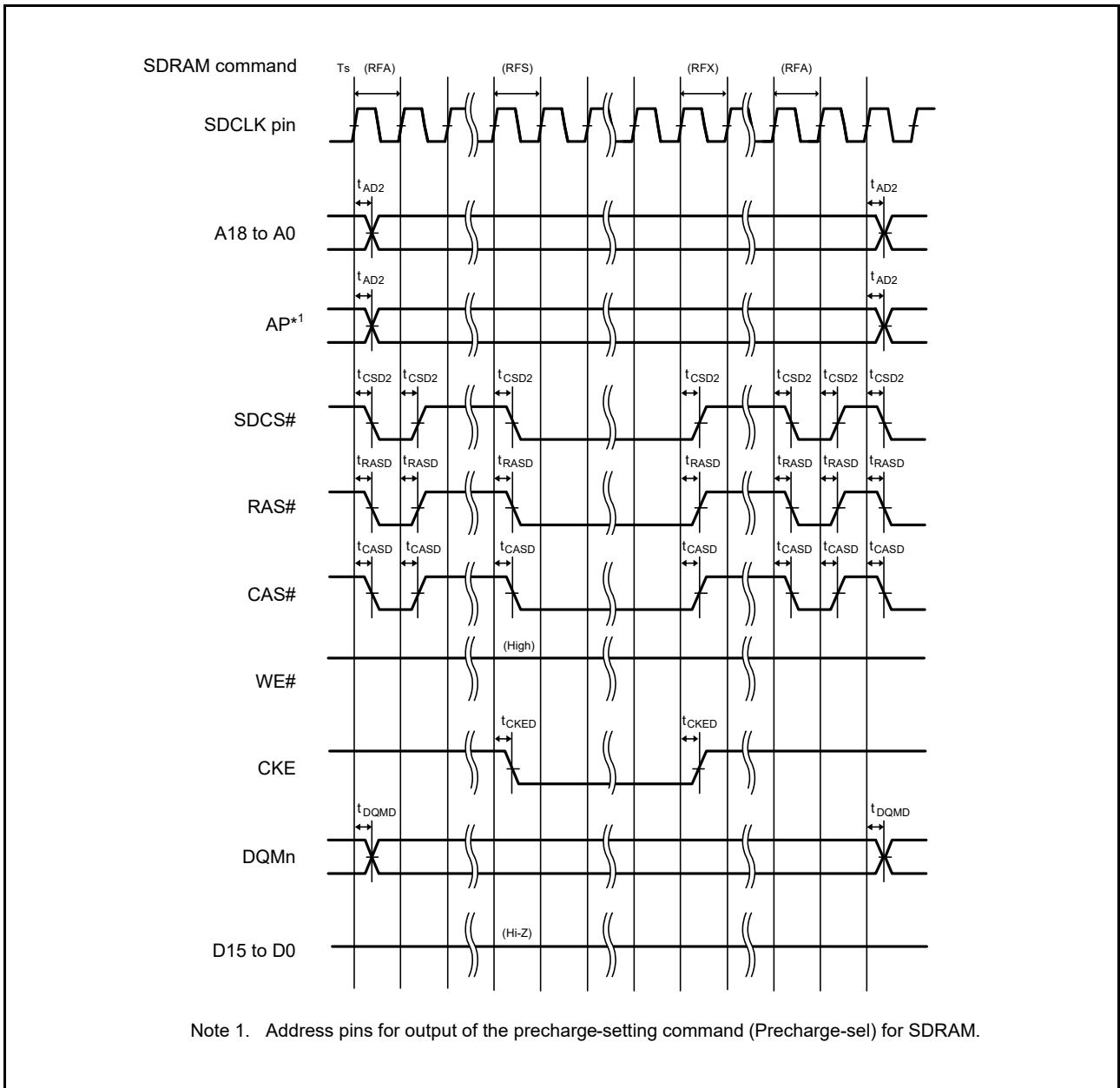


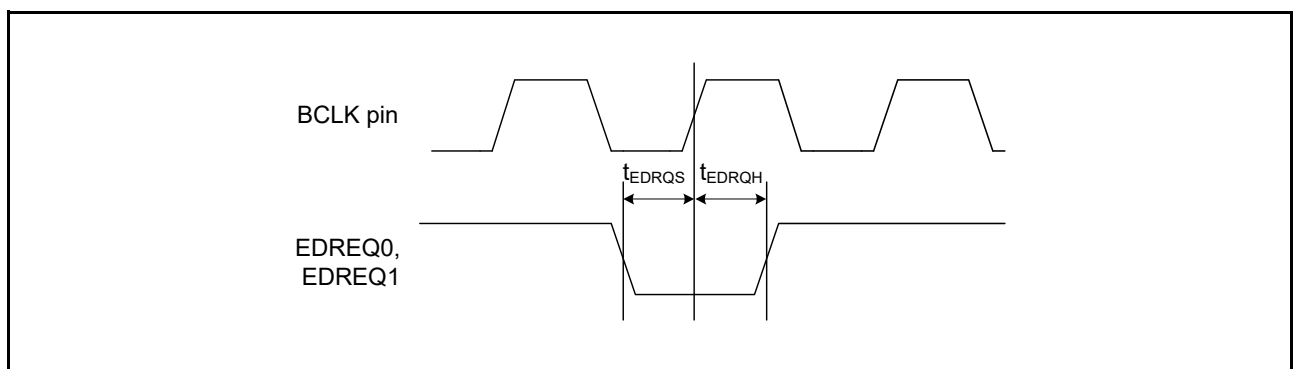
Figure 2.30 SDRAM Space Self-Refresh Bus Timing

2.4.6 EXDMAC Timing

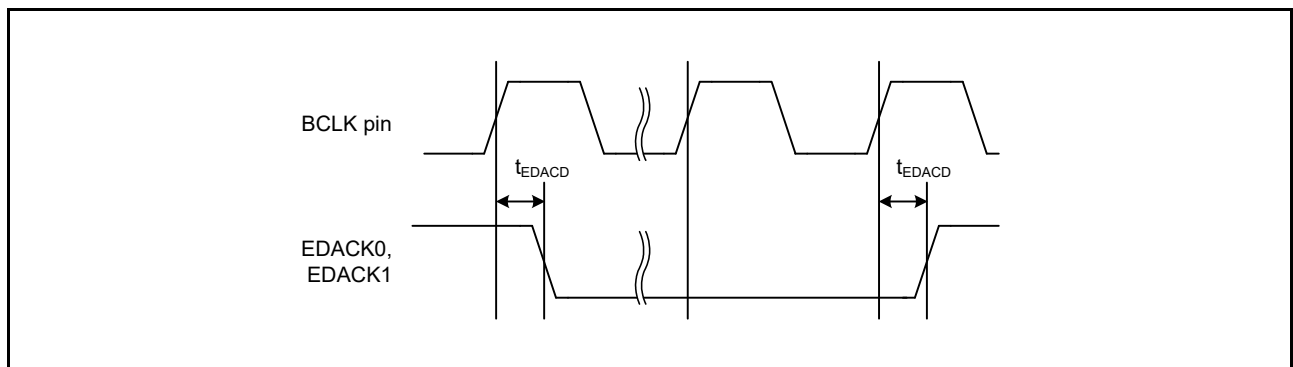
**Table 2.27 EXDMAC Timing**

Conditions:  $V_{CC} = AVCC0 = AVCC1 = V_{CC\_USB} = V_{BATT} = 2.7$  to  $3.6$  V,  $2.7$  V  $\leq V_{REFH0} \leq AVCC0$ ,  
 $V_{SS} = AVSS0 = AVSS1 = V_{REFL0} = V_{SS\_USB} = 0$  V,  
 $ICLK = PCLKA = 8$  to  $120$  MHz,  $PCLKB = BCLK = SDCLK = 8$  to  $60$  MHz,  $T_a = T_{opr}$ ,  
 Output load conditions:  $V_{OH} = 0.5 \times V_{CC}$ ,  $V_{OL} = 0.5 \times V_{CC}$ ,  $C = 30$  pF,  
 High-drive output is selected by the drive capacity control register.

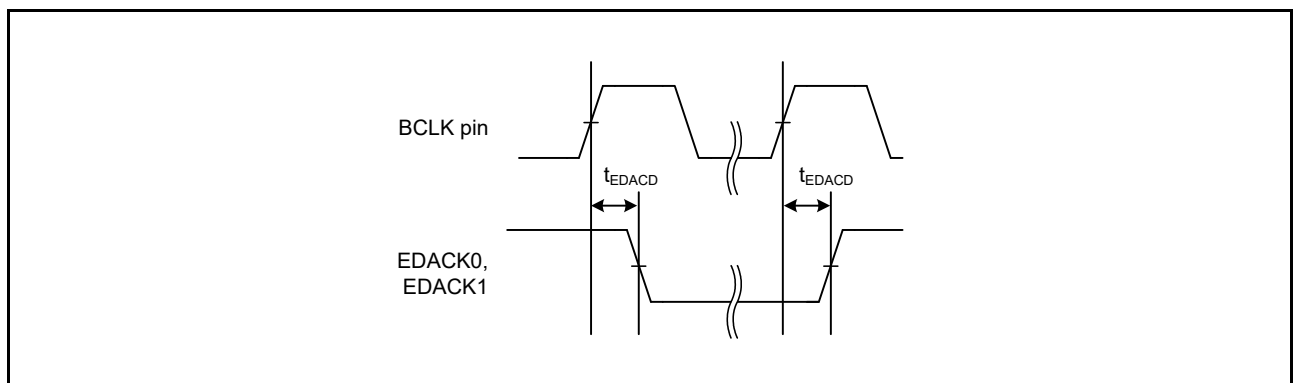
Item	Symbol	Min.	Max.	Unit	Test Conditions	
EXDMAC	EDREQ setup time	$t_{EDRQS}$	13	—	ns	Figure 2.31
	EDREQ hold time	$t_{EDRQH}$	2	—	ns	
	EDACK delay time	$t_{EDACD}$	—	13	ns	Figure 2.32, Figure 2.33



**Figure 2.31 EDREQ0 and EDREQ1 Input Timing**



**Figure 2.32 EDACK0 and EDACK1 Single-Address Transfer Timing (for a CS Area)**



**Figure 2.33 EDACK0 and EDACK1 Single-Address Transfer Timing (for SDRAM)**

## 2.4.7 Timing of On-Chip Peripheral Modules

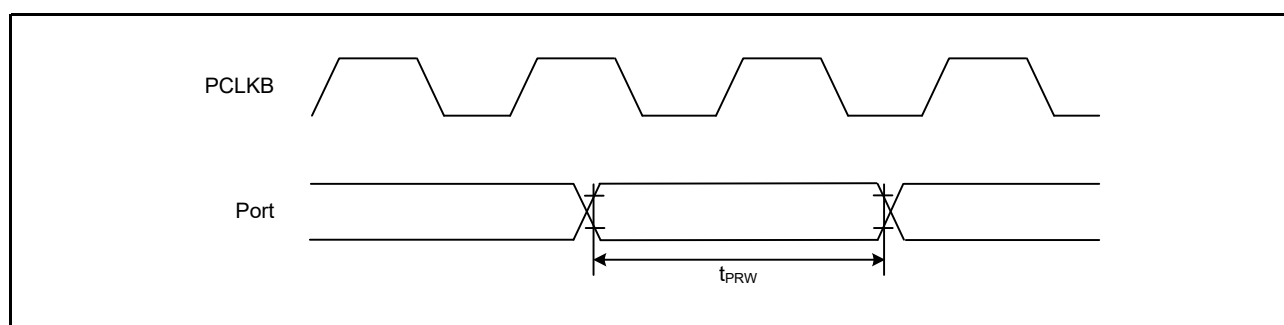
### 2.4.7.1 I/O Port

**Table 2.28 I/O Port Timing**

Conditions:  $V_{CC} = AVCC0 = AVCC1 = VCC\_USB = V_{BATT} = 2.7$  to  $3.6$  V,  $2.7$  V  $\leq VREFH0 \leq AVCC0$ ,  
 $VSS = AVSS0 = AVSS1 = VREFL0 = VSS\_USB = 0$  V,  
 $PCLKA = 8$  to  $120$  MHz,  $PCLKB = 8$  to  $60$  MHz,  $T_a = T_{opr}$ ,  
 Output load conditions:  $V_{OH} = 0.5 \times VCC$ ,  $V_{OL} = 0.5 \times VCC$ ,  $C = 30$  pF,  
 High-drive output is selected by the drive capacity control register.

Item		Symbol	Min.	Max.	Unit*1	Test Conditions
I/O ports	Input data pulse width	$t_{PRW}$	1.5	—	$t_{PBcyc}$	Figure 2.34

Note 1.  $t_{PBcyc}$ : PCLKB cycle



**Figure 2.34 I/O Port Input Timing**

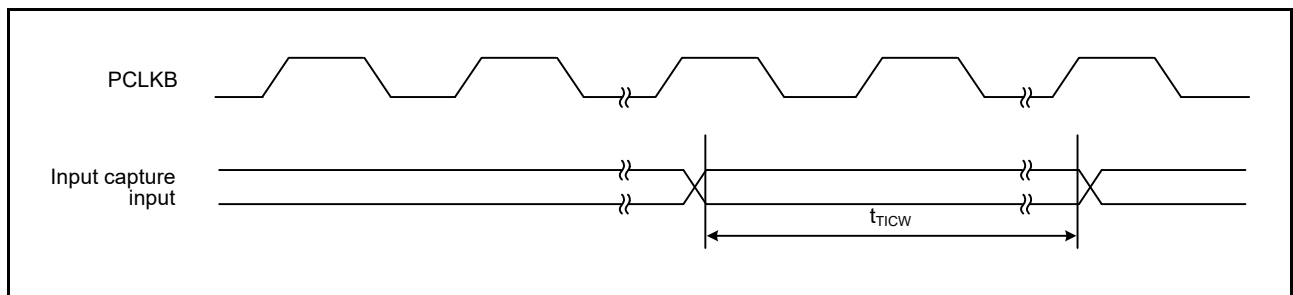
2.4.7.2 TPU

**Table 2.29 TPU Timing**

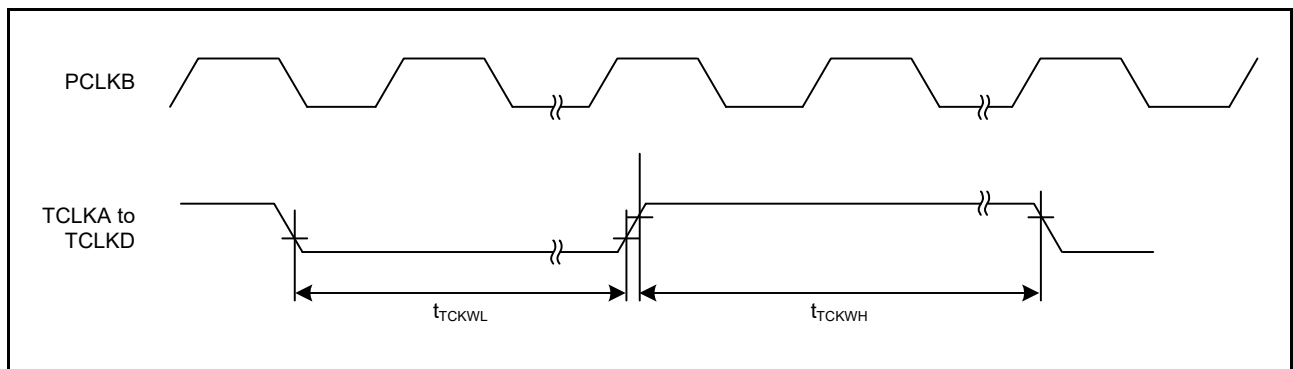
Conditions:  $V_{CC} = AVCC0 = AVCC1 = V_{CC\_USB} = V_{BATT} = 2.7$  to  $3.6$  V,  $2.7$  V  $\leq V_{REFH0} \leq AVCC0$ ,  
 $V_{SS} = AVSS0 = AVSS1 = V_{REFL0} = V_{SS\_USB} = 0$  V,  
 $PCLKA = 8$  to  $120$  MHz,  $PCLKB = 8$  to  $60$  MHz,  $T_a = T_{opr}$ ,  
 Output load conditions:  $V_{OH} = 0.5 \times V_{CC}$ ,  $V_{OL} = 0.5 \times V_{CC}$ ,  $C = 30$  pF,  
 High-drive output is selected by the drive capacity control register.

Item		Symbol	Min.	Max.	Unit*1	Test Conditions
TPU	Input capture input pulse width	Single-edge setting	1.5	—	$t_{PBcyc}$	Figure 2.35
		Both-edge setting	2.5	—		
	Timer clock pulse width	Single-edge setting	$t_{TCKWH}$ , $t_{TCKWL}$	1.5	—	$t_{PBcyc}$
Both-edge setting		2.5		—		
Phase counting mode		2.5	—			

Note 1.  $t_{PBcyc}$ : PCLKB cycle



**Figure 2.35 TPU Input Capture Input Timing**



**Figure 2.36 TPU Clock Input Timing**



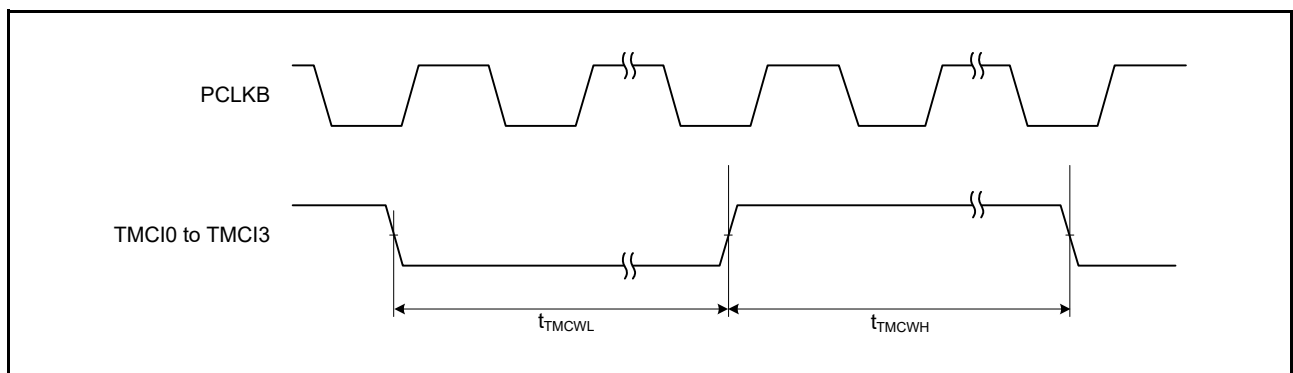
### 2.4.7.3 TMR

**Table 2.30 TMR Timing**

Conditions:  $V_{CC} = AV_{CC0} = AV_{CC1} = V_{CC\_USB} = V_{BATT} = 2.7$  to  $3.6$  V,  $2.7$  V  $\leq V_{REFH0} \leq AV_{CC0}$ ,  
 $V_{SS} = AV_{SS0} = AV_{SS1} = V_{REFL0} = V_{SS\_USB} = 0$  V,  
 $PCLKA = 8$  to  $120$  MHz,  $PCLKB = 8$  to  $60$  MHz,  $T_a = T_{opr}$ ,  
 Output load conditions:  $V_{OH} = 0.5 \times V_{CC}$ ,  $V_{OL} = 0.5 \times V_{CC}$ ,  $C = 30$  pF,  
 High-drive output is selected by the drive capacity control register.

Item		Symbol	Min.	Max.	Unit*1	Test Conditions
TMR	Timer clock pulse width	Single-edge setting	$t_{TMCWH}$	1.5	—	$t_{PBcyc}$ Figure 2.37
		Both-edge setting	$t_{TMCWL}$	2.5	—	

Note 1.  $t_{PBcyc}$ : PCLKB cycle



**Figure 2.37 TMR Clock Input Timing**

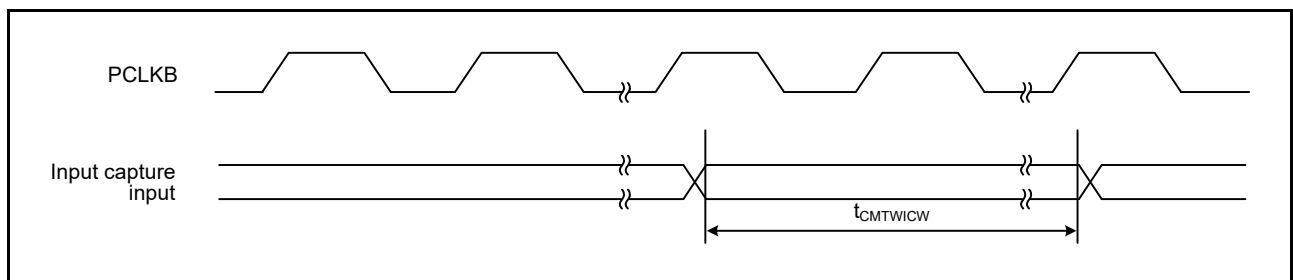
### 2.4.7.4 CMTW

**Table 2.31 CMTW Timing**

Conditions:  $V_{CC} = AV_{CC0} = AV_{CC1} = V_{CC\_USB} = V_{BATT} = 2.7$  to  $3.6$  V,  $2.7$  V  $\leq V_{REFH0} \leq AV_{CC0}$ ,  
 $V_{SS} = AV_{SS0} = AV_{SS1} = V_{REFL0} = V_{SS\_USB} = 0$  V,  
 $PCLKA = 8$  to  $120$  MHz,  $PCLKB = 8$  to  $60$  MHz,  $T_a = T_{opr}$ ,  
 Output load conditions:  $V_{OH} = 0.5 \times V_{CC}$ ,  $V_{OL} = 0.5 \times V_{CC}$ ,  $C = 30$  pF,  
 High-drive output is selected by the drive capacity control register.

Item		Symbol	Min.	Max.	Unit*1	Test Conditions
CMTW	Input capture input pulse width	Single-edge setting	$t_{CMTWICW}$	1.5	—	$t_{PBcyc}$ Figure 2.38
		Both-edge setting		2.5	—	

Note 1.  $t_{PBcyc}$ : PCLKB cycle



**Figure 2.38 CMTW Input Capture Input Timing**

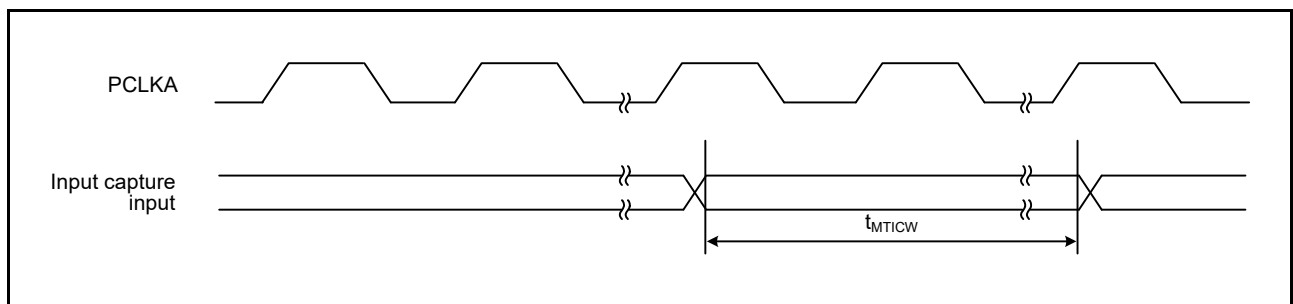
2.4.7.5 MTU

**Table 2.32 MTU Timing**

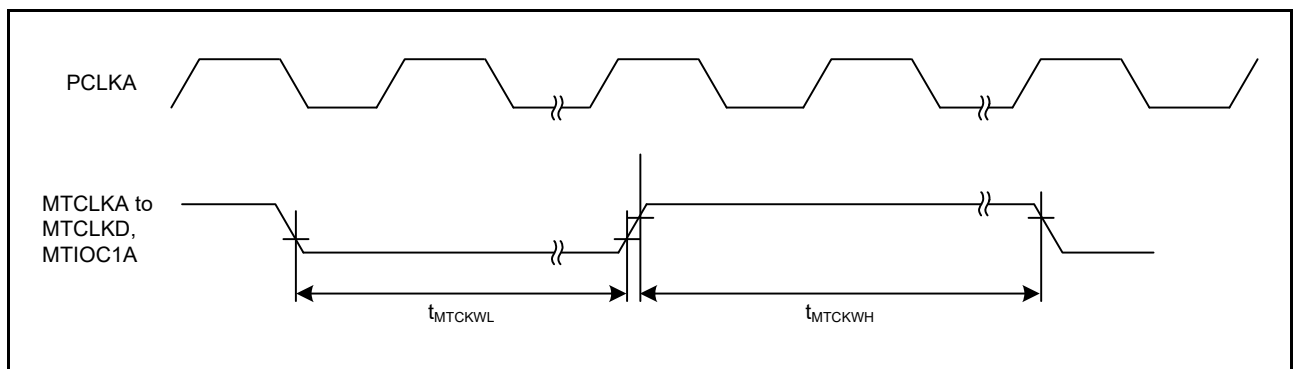
Conditions:  $V_{CC} = AVCC0 = AVCC1 = V_{CC\_USB} = V_{BATT} = 2.7$  to  $3.6$  V,  $2.7$  V  $\leq V_{REFH0} \leq AVCC0$ ,  
 $V_{SS} = AVSS0 = AVSS1 = V_{REFL0} = V_{SS\_USB} = 0$  V,  
 $PCLKA = 8$  to  $120$  MHz,  $PCLKB = 8$  to  $60$  MHz,  $T_a = T_{opr}$ ,  
 Output load conditions:  $V_{OH} = 0.5 \times V_{CC}$ ,  $V_{OL} = 0.5 \times V_{CC}$ ,  $C = 30$  pF,  
 High-drive output is selected by the drive capacity control register.

Item		Symbol	Min.	Max.	Unit*1	Test Conditions	
MTU	Input capture input pulse width	Single-edge setting	t <sub>MTICW</sub>	1.5	—	t <sub>PAcyc</sub>	Figure 2.39
		Both-edge setting		2.5	—		
	Timer clock pulse width	Single-edge setting	t <sub>MTCKWH</sub> , t <sub>MTCKWL</sub>	1.5	—	t <sub>PAcyc</sub>	Figure 2.40
		Both-edge setting		2.5	—		
		Phase counting mode		2.5	—		

Note 1. t<sub>PAcyc</sub>: PCLKA cycle



**Figure 2.39 MTU Input Capture Input Timing**



**Figure 2.40 MTU Clock Input Timing**

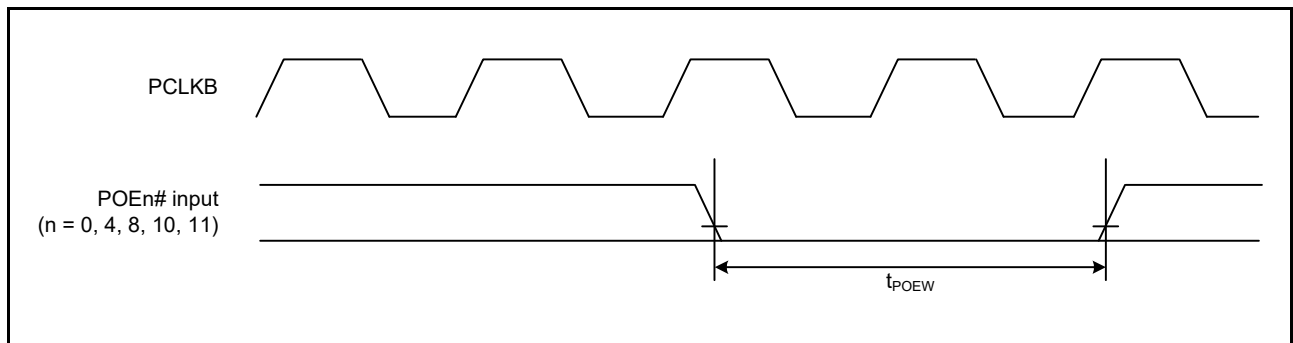
2.4.7.6 POE3

**Table 2.33 POE3 Timing**

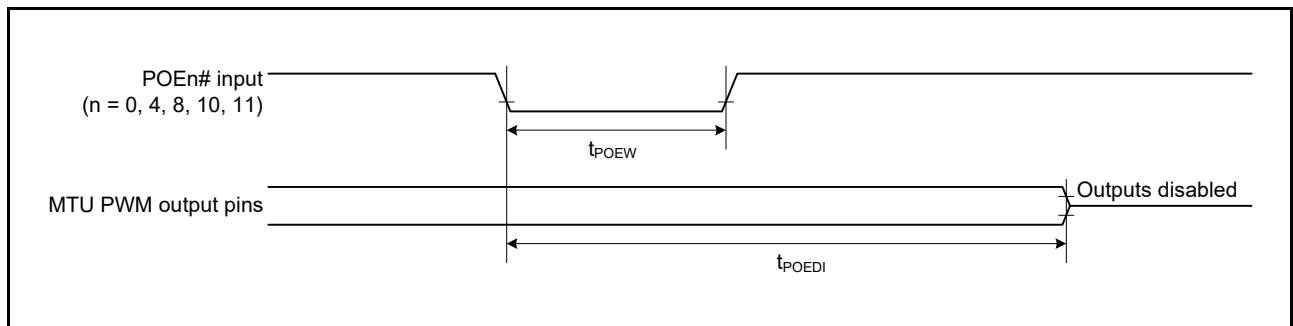
Conditions:  $V_{CC} = AVCC0 = AVCC1 = V_{CC\_USB} = V_{BATT} = 2.7$  to  $3.6$  V,  $2.7$  V  $\leq V_{REFH0} \leq AVCC0$ ,  
 $V_{SS} = AVSS0 = AVSS1 = V_{REFL0} = V_{SS\_USB} = 0$  V,  
 $PCLKA = 8$  to  $120$  MHz,  $PCLKB = 8$  to  $60$  MHz,  $T_a = T_{opr}$ ,  
 Output load conditions:  $V_{OH} = 0.5 \times V_{CC}$ ,  $V_{OL} = 0.5 \times V_{CC}$ ,  $C = 30$  pF,  
 High-drive output is selected by the drive capacity control register.

Item		Symbol	Min.	Typ.	Max.	Unit*1	Test Conditions	
POE	POEn# input pulse width (n = 0, 4, 8, 10, 11)	$t_{POEW}$	1.5	—	—	$t_{PBcyc}$	Figure 2.41	
	Output disable time	Transition of the POEn# signal level	$t_{POEDI}$	—	—	$5 PCLKB + 0.24$	$\mu s$	Figure 2.42 When detecting falling edges (ICSRm.POEnM[3:0] = 0000b (m = 1 to 5; n = 0, 4, 8, 10, 11))
		Simultaneous conduction of output pins	$t_{POEDO}$	—	—	$3 PCLKB + 0.2$	$\mu s$	Figure 2.43
		Register setting	$t_{POEDS}$	—	—	$1 PCLKB + 0.2$	$\mu s$	Figure 2.44 Time for access to the register is not included.
		Oscillation stop detection	$t_{POEDOS}$	—	—	21	$\mu s$	Figure 2.45

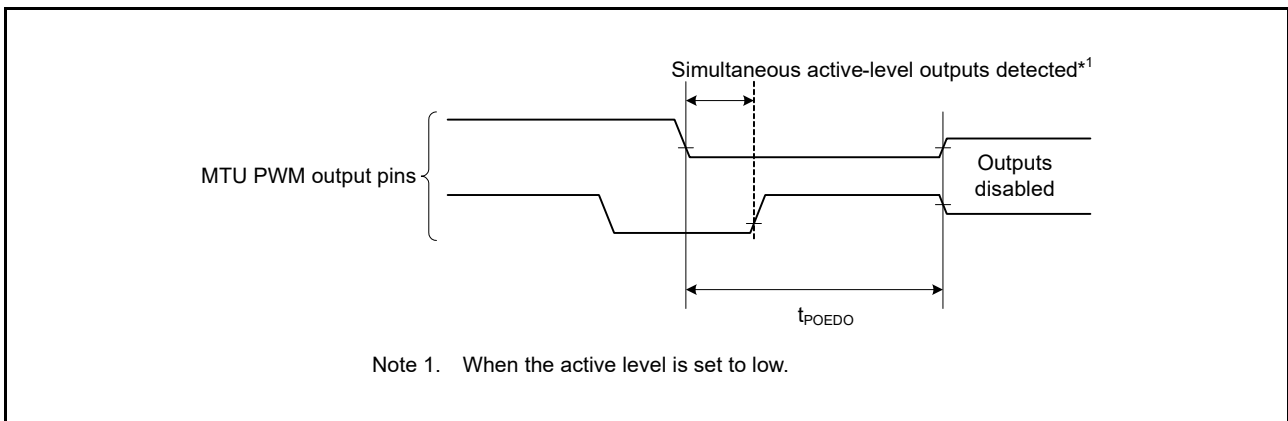
Note 1.  $t_{PBcyc}$ : PCLKB cycle



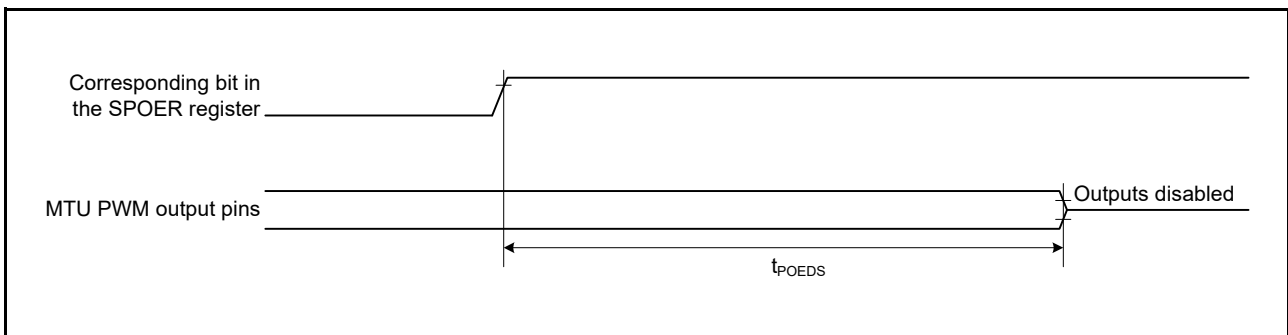
**Figure 2.41 POE# Pin Input Timing**



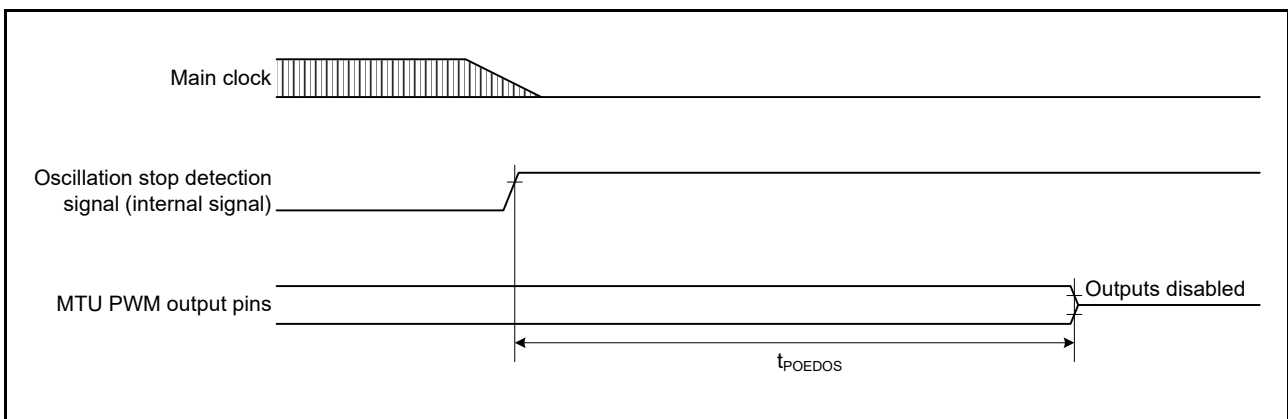
**Figure 2.42 Output Disable Time for POE in Response to Transition of the POEn# Signal Level**



**Figure 2.43 Output Disable Time for POE in Response to the Simultaneous Conduction of Output Pins**



**Figure 2.44 Output Disable Time for POE in Response to the Register Setting**



**Figure 2.45 Output Disable Time for POE in Response to the Oscillation Stop Detection**

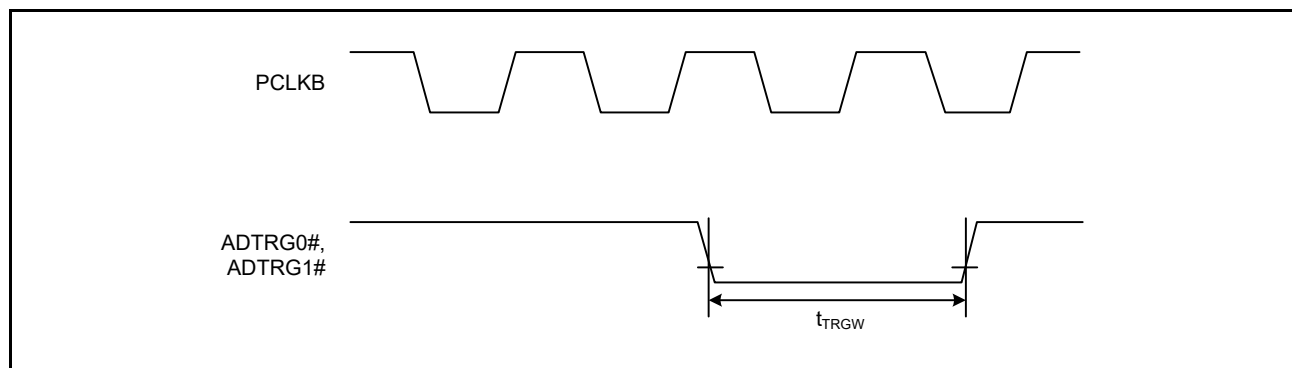
## 2.4.7.7 A/D Converter Trigger

**Table 2.34 A/D Converter Trigger Timing**

Conditions:  $V_{CC} = AVCC0 = AVCC1 = VCC\_USB = V_{BATT} = 2.7$  to  $3.6$  V,  $2.7$  V  $\leq V_{REFH0} \leq AVCC0$ ,  
 $V_{SS} = AVSS0 = AVSS1 = V_{REFL0} = VSS\_USB = 0$  V,  
 $PCLKA = 8$  to  $120$  MHz,  $PCLKB = 8$  to  $60$  MHz,  $T_a = T_{opr}$ ,  
 Output load conditions:  $V_{OH} = 0.5 \times V_{CC}$ ,  $V_{OL} = 0.5 \times V_{CC}$ ,  $C = 30$  pF,  
 High-drive output is selected by the drive capacity control register.

Item		Symbol	Min.	Max.	Unit*1	Test Conditions
A/D converter	A/D converter trigger input pulse width	$t_{TRGW}$	1.5	—	$t_{PBcyc}$	Figure 2.46

Note 1.  $t_{PBcyc}$ : PCLKB cycle

**Figure 2.46 A/D Converter Trigger Input Timing**

## 2.4.7.8 CAC

**Table 2.35 CAC Timing**

Conditions:  $V_{CC} = AVCC0 = AVCC1 = VCC\_USB = V_{BATT} = 2.7$  to  $3.6$  V,  $2.7$  V  $\leq V_{REFH0} \leq AVCC0$ ,  
 $V_{SS} = AVSS0 = AVSS1 = V_{REFL0} = VSS\_USB = 0$  V,  
 $PCLKA = 8$  to  $120$  MHz,  $PCLKB = 8$  to  $60$  MHz,  $T_a = T_{opr}$ ,  
 Output load conditions:  $V_{OH} = 0.5 \times V_{CC}$ ,  $V_{OL} = 0.5 \times V_{CC}$ ,  $C = 30$  pF,  
 High-drive output is selected by the drive capacity control register.

Item*1, *2		Symbol	Min.*1, *2	Max.	Unit	Test Conditions
CAC	CACREF input pulse width	$t_{CACREF}$	$t_{PBcyc} \leq t_{CAC}$	—	ns	
			$t_{PBcyc} > t_{CAC}$	$4.5 t_{CAC} + 3 t_{PBcyc}$		

Note 1.  $t_{PBcyc}$ : PCLKB cycle

Note 2.  $t_{CAC}$ : CAC count clock source cycle

## 2.4.7.9 SCI

**Table 2.36 SCI, SCiH, and SCiM Timing**

Conditions:  $V_{CC} = AVCC0 = AVCC1 = V_{CC\_USB} = V_{BATT} = 2.7$  to  $3.6$  V,  $2.7$  V  $\leq V_{REFH0} \leq AVCC0$ ,  
 $V_{SS} = AVSS0 = AVSS1 = V_{REFL0} = V_{SS\_USB} = 0$  V,  
 $PCLKA = 8$  to  $120$  MHz,  $PCLKB = 8$  to  $60$  MHz,  $T_a = T_{opr}$ ,  
 Output load conditions:  $V_{OH} = 0.5 \times V_{CC}$ ,  $V_{OL} = 0.5 \times V_{CC}$ ,  $C = 30$  pF,  
 High-drive output is selected by the drive capacity control register.

Item		Symbol	Min.	Max.	Unit*1	Test Conditions		
SCiK, SCiH	Input clock cycle	Asynchronous	$t_{Scyc}$	4	—	$t_{PBcyc}$	Figure 2.47	
		Clock synchronous		6	—			
	Input clock pulse width		$t_{SCKW}$	0.4	0.6	$t_{Scyc}$		
	Input clock rise time		$t_{SCKr}$	—	5	ns		
	Input clock fall time		$t_{SCKf}$	—	5	ns		
	Output clock cycle	Asynchronous (SCiK)	$t_{Scyc}$	6	—	$t_{PBcyc}$		
		Asynchronous (SCiH)		8	—			
		Clock synchronous		4	—			
	Output clock pulse width		$t_{SCKW}$	0.4	0.6	$t_{Scyc}$		
	Output clock rise time		$t_{SCKr}$	—	5	ns		
	Output clock fall time		$t_{SCKf}$	—	5	ns		
	Transmit data delay time	Clock synchronous	$t_{TXD}$	—	28	ns		Figure 2.48
Receive data setup time	Clock synchronous	$t_{RXS}$	15	—	ns			
Receive data hold time	Clock synchronous	$t_{RXH}$	5	—	ns			
SCiM	Input clock cycle	Asynchronous	$t_{Scyc}$	4	—	$t_{PAcyc}$	Figure 2.47	
		Clock synchronous		6	—			
	Input clock pulse width		$t_{SCKW}$	0.4	0.6	$t_{Scyc}$		
	Input clock rise time		$t_{SCKr}$	—	5	ns		
	Input clock fall time		$t_{SCKf}$	—	5	ns		
	Output clock cycle	Asynchronous	$t_{Scyc}$	6	—	$t_{PAcyc}$		
		Clock synchronous		4	—			
	Output clock pulse width		$t_{SCKW}$	0.4	0.6	$t_{Scyc}$		
	Output clock rise time		$t_{SCKr}$	—	5	ns		
	Output clock fall time		$t_{SCKf}$	—	5	ns		
	Transmit data delay time	Master	$t_{TXD}$	—	15	ns		Figure 2.48
		Slave		—	28			
Receive data setup time	Clock synchronous	$t_{RXS}$	20	—	ns			
Receive data hold time	Clock synchronous	$t_{RXH}$	5	—	ns			

Note 1.  $t_{PBcyc}$ : PCLKB cycle;  $t_{PAcyc}$ : PCLKA cycle

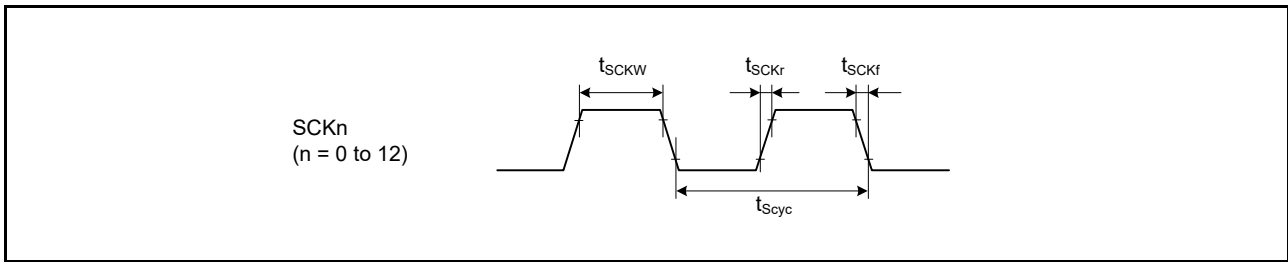


Figure 2.47 SCK Clock Input Timing

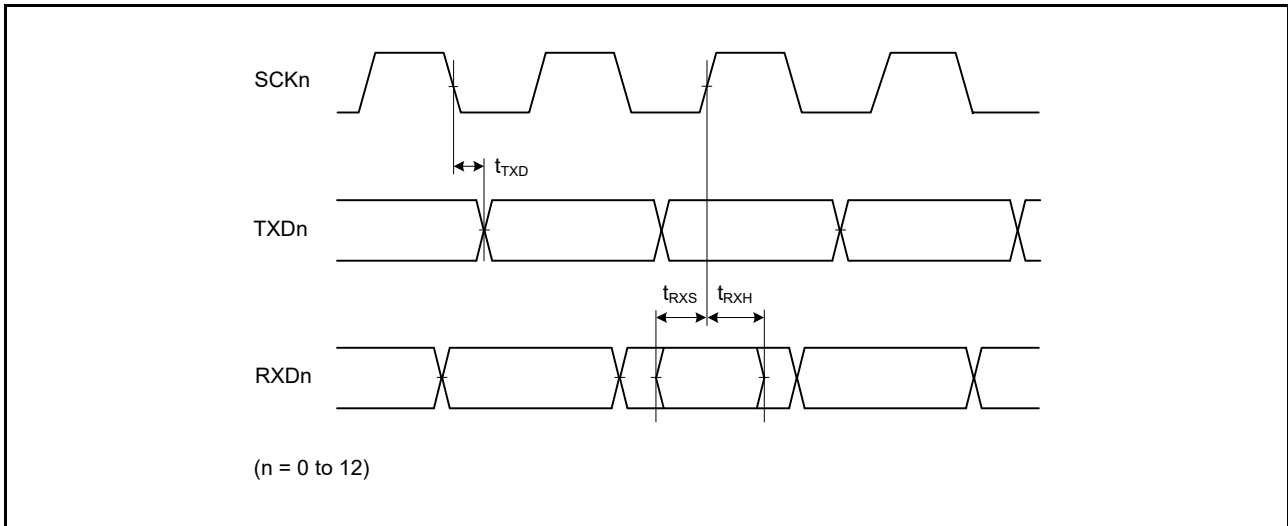


Figure 2.48 SCI Input/Output Timing: Clock Synchronous Mode

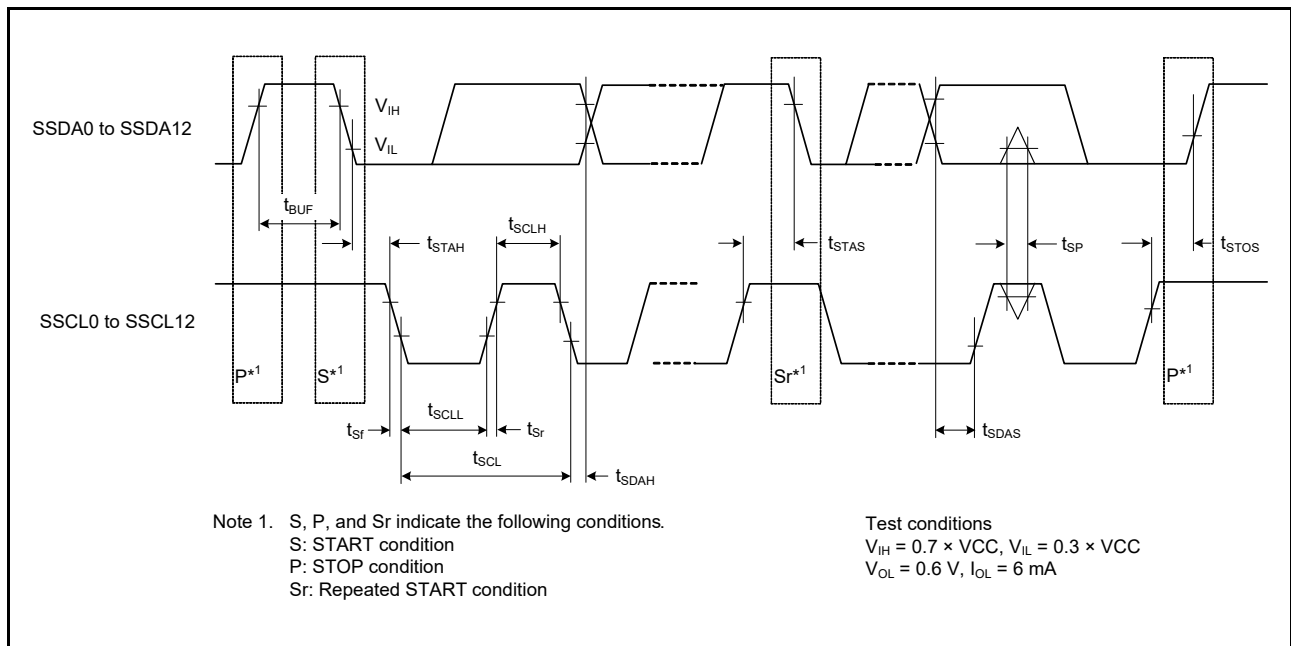
**Table 2.37 Simple IIC Timing**

Conditions:  $VCC = AVCC0 = AVCC1 = VCC\_USB = V_{BATT} = 2.7$  to  $3.6$  V,  $2.7$  V  $\leq VREFH0 \leq AVCC0$ ,  
 $VSS = AVSS0 = AVSS1 = VREFL0 = VSS\_USB = 0$  V,  
 $PCLKA = 8$  to  $120$  MHz,  $PCLKB = 8$  to  $60$  MHz,  $T_a = T_{opr}$ ,  
 High-drive output is selected by the drive capacity control register.

Item		Symbol	Min.	Max.	Unit	Test Conditions
Simple IIC (Standard-mode)	SSCL, SSSDA input rise time	$t_{Sr}$	—	1000	ns	Figure 2.49
	SSCL, SSSDA input fall time	$t_{Sf}$	—	300	ns	
	SSCL, SSSDA input spike pulse removal time	$t_{SP}$	0	$4 \times t_{Pcyc}$	ns	
	Data input setup time	$t_{SDAS}$	250	—	ns	
	Data input hold time	$t_{SDAH}$	0	—	ns	
	SSCL, SSSDA capacitive load	$C_b^{*1}$	—	400	pF	
Simple IIC (Fast-mode)	SSCL, SSSDA input rise time	$t_{Sr}$	—	300	ns	
	SSCL, SSSDA input fall time	$t_{Sf}$	—	300	ns	
	SSCL, SSSDA input spike pulse removal time	$t_{SP}$	0	$4 \times t_{Pcyc}$	ns	
	Data input setup time	$t_{SDAS}$	100	—	ns	
	Data input hold time	$t_{SDAH}$	0	—	ns	
	SSCL, SSSDA capacitive load	$C_b^{*1}$	—	400	pF	

Note:  $t_{Pcyc}$  refers to the period of PCLKA in SCI10 and SCI11, and of PCLKB in SCI0 to SCI9, and SCI12.

Note 1.  $C_b$  is the total capacitance of the bus lines.



**Figure 2.49 Simple IIC Bus Interface Input/Output Timing**

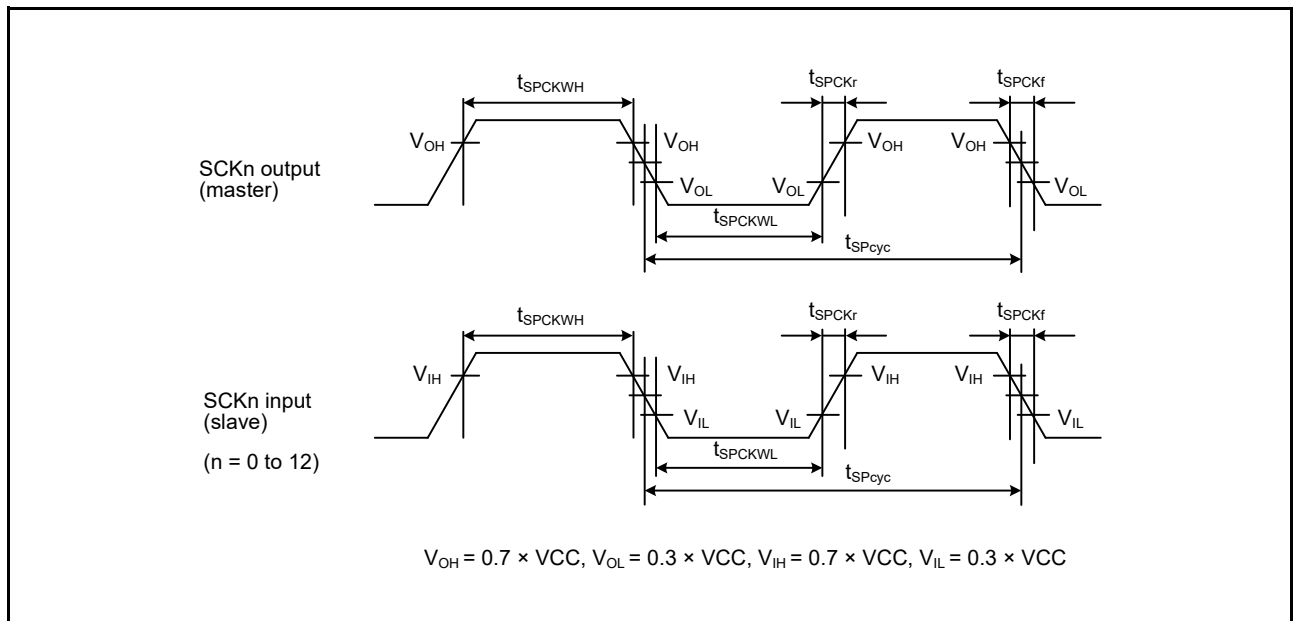


**Table 2.38 Simple SPI Timing**

Conditions:  $V_{CC} = AVCC0 = AVCC1 = V_{CC\_USB} = V_{BATT} = 2.7$  to  $3.6$  V,  $2.7$  V  $\leq V_{REFH0} \leq AVCC0$ ,  
 $V_{SS} = AVSS0 = AVSS1 = V_{REFL0} = V_{SS\_USB} = 0$  V,  
 $PCLKA = 8$  to  $120$  MHz,  $PCLKB = 8$  to  $60$  MHz,  $T_a = T_{opr}$ ,  
 Output load conditions:  $V_{OH} = 0.5 \times V_{CC}$ ,  $V_{OL} = 0.5 \times V_{CC}$ ,  $C = 30$  pF,  
 High-drive output is selected by the drive capacity control register.

Item		Symbol	Min.	Max.	Unit	Test Conditions
Simple SPI	SCK clock cycle output (master)	$t_{SPCyc}$	4	—	$t_{PCyc}$	Figure 2.50 Figure 2.51 to Figure 2.54
	SCK clock cycle input (slave)		6	—		
	SCK clock high pulse width	$t_{SPCKWH}$	0.4	0.6	$t_{SPCyc}$	
	SCK clock low pulse width	$t_{SPCKWL}$	0.4	0.6	$t_{SPCyc}$	
	SCK clock rise/fall time	$t_{SPCKr}$ , $t_{SPCKf}$	—	20	ns	
	Data input setup time	$t_{SU}$	33.3	—	ns	
	Data input hold time	$t_H$	33.3	—	ns	
	SS input setup time	$t_{LEAD}$	1	—	$t_{SPCyc}$	
	SS input hold time	$t_{LAG}$	1	—	$t_{SPCyc}$	
	Data output delay time	$t_{OD}$	—	33.3	ns	
	Data output hold time	$t_{OH}$	-10	—	ns	
	Data rise/fall time	$t_{Dr}$ , $t_{Df}$	—	16.6	ns	
	SS input rise/fall time	$t_{SSLr}$ , $t_{SSLf}$	—	16.6	ns	
	Slave access time	$t_{SA}$	—	5	$t_{PCyc}$	
Slave output release time	$t_{REL}$	—	5	$t_{PCyc}$		

Note:  $t_{PCyc}$  refers to the period of PCLKA in SCI10 and SCI11, and of PCLKB in SCI0 to SCI9, and SCI12.



**Figure 2.50 Simple SPI Clock Timing**

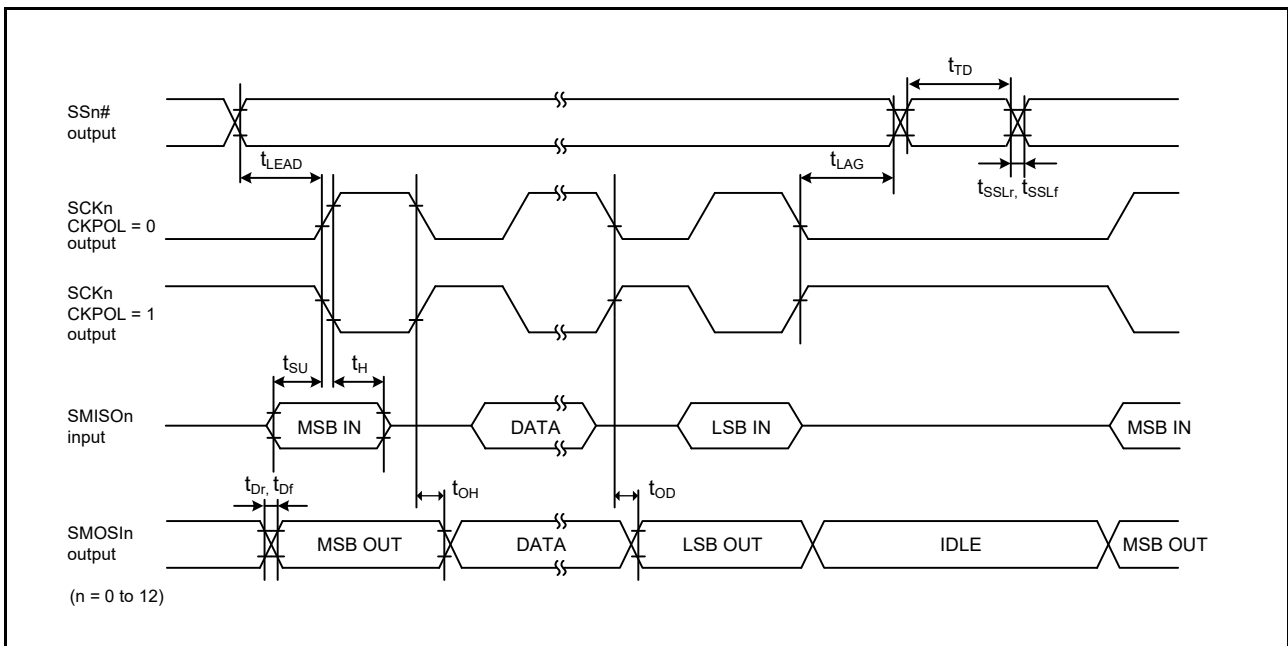


Figure 2.51 Simple SPI Timing (Master, CKPH = 1)

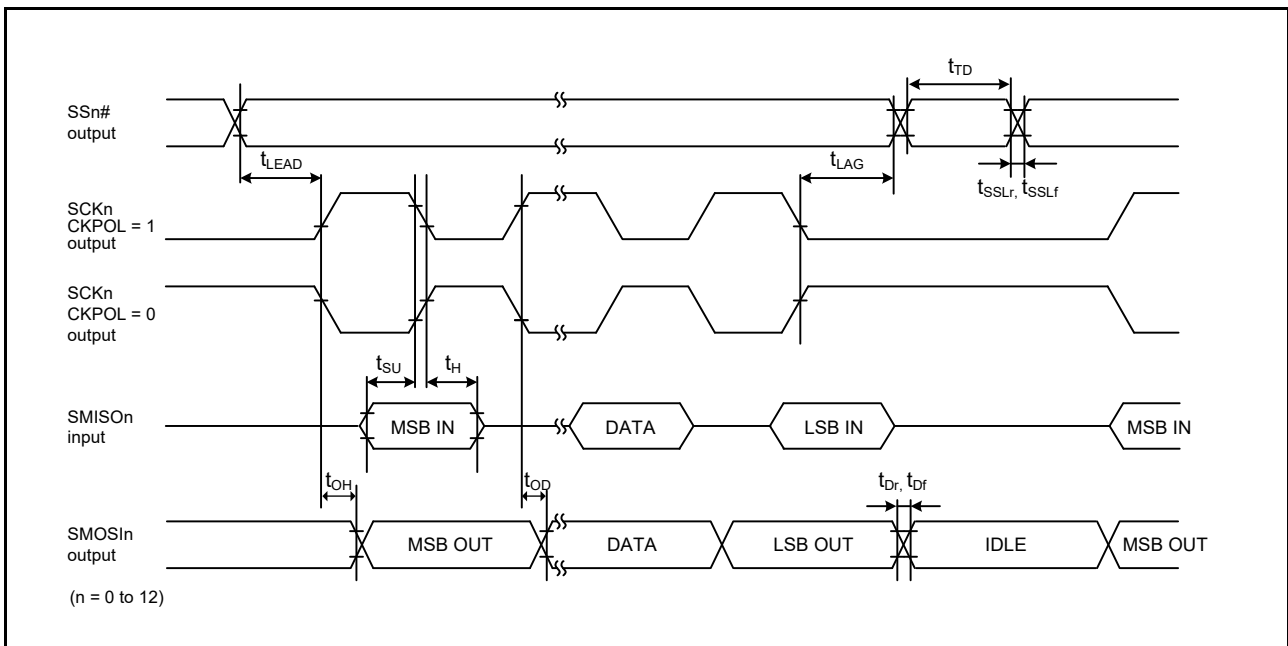


Figure 2.52 Simple SPI Timing (Master, CKPH = 0)

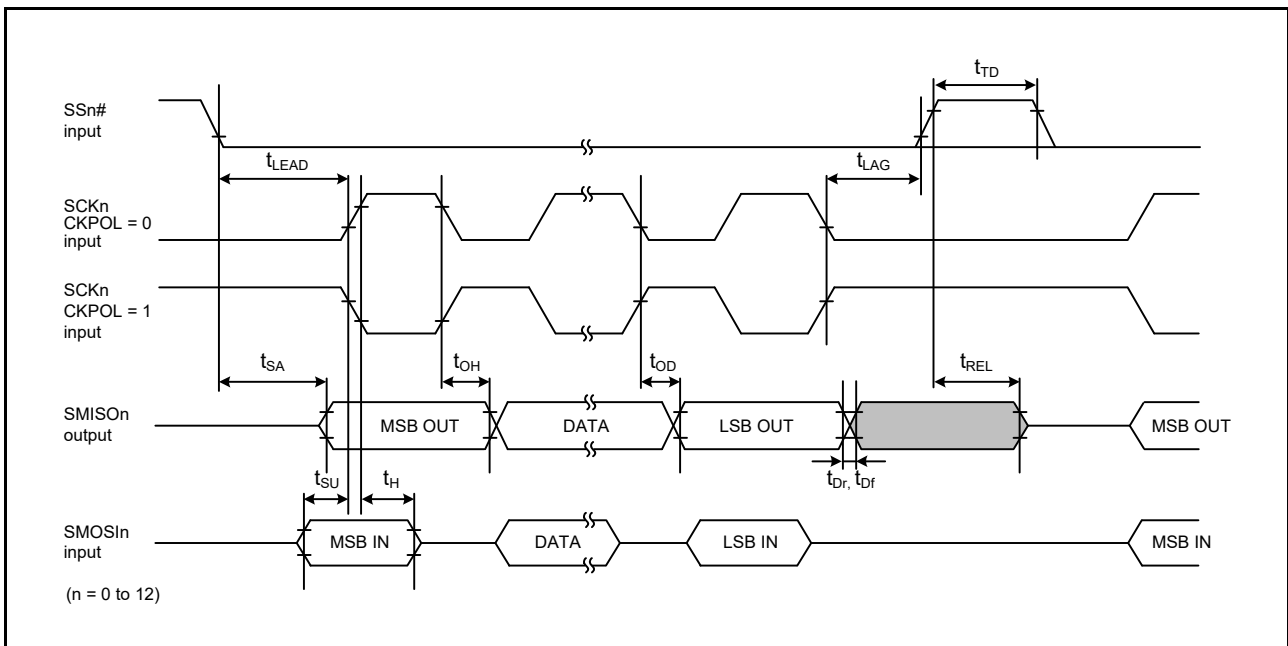


Figure 2.53 Simple SPI Timing (Slave, CKPH = 1)

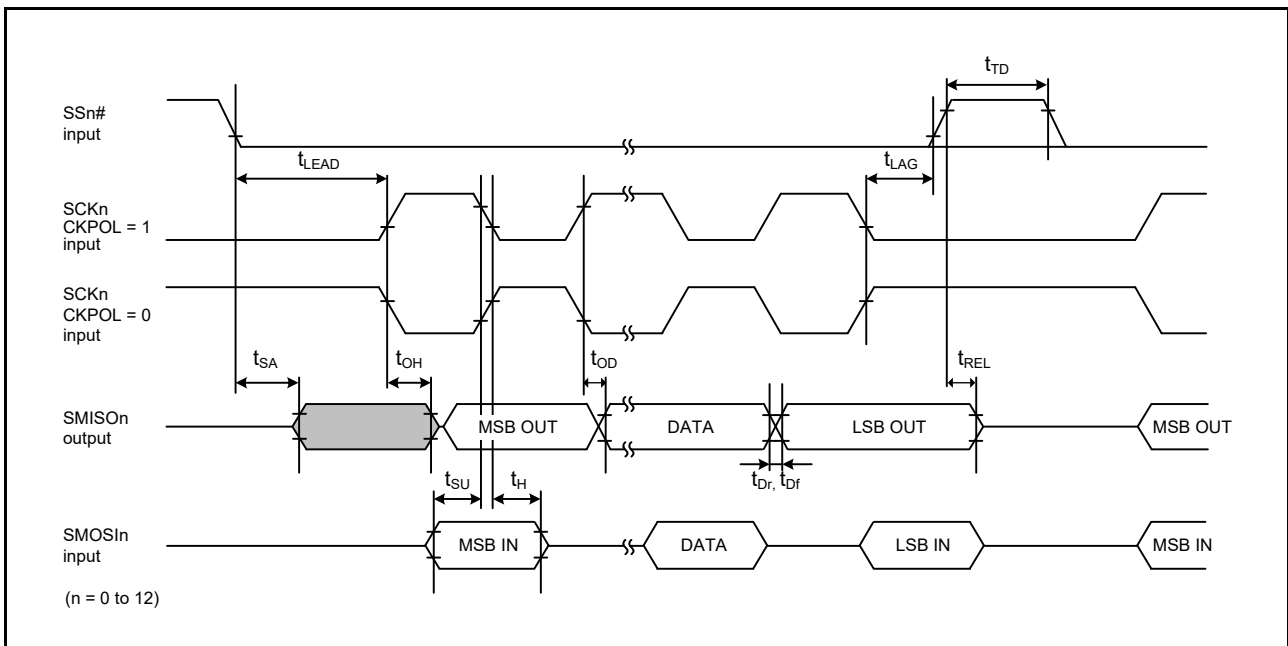


Figure 2.54 Simple SPI Timing (Slave, CKPH = 0)

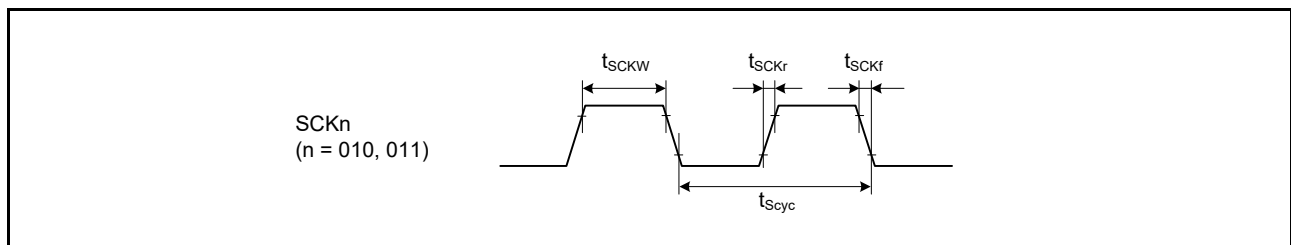
2.4.7.10 RSCI

**Table 2.39 RSCI Timing**

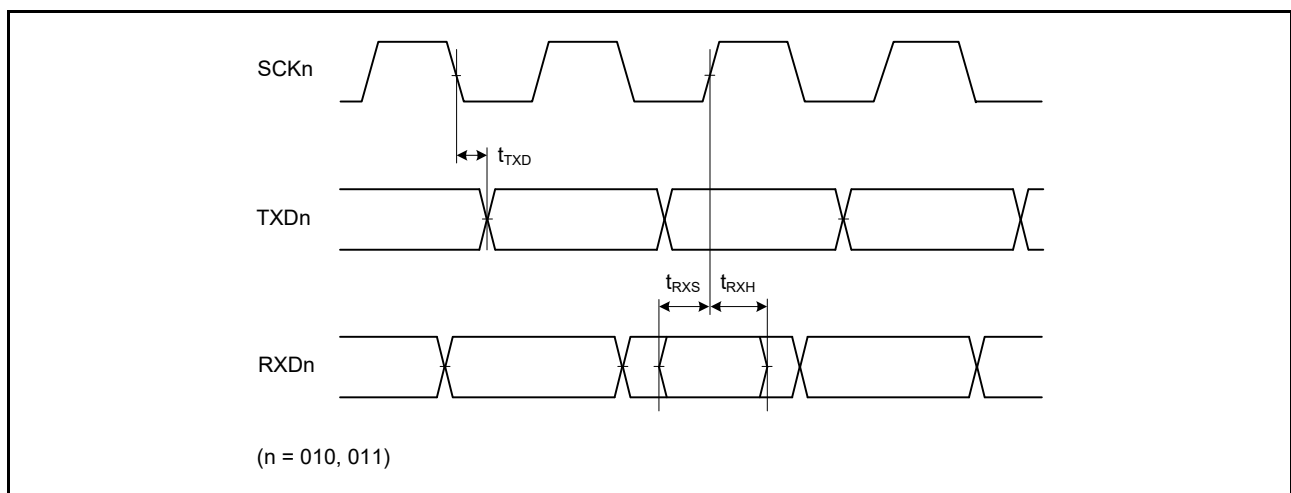
Conditions:  $V_{CC} = AVCC0 = AVCC1 = V_{CC\_USB} = V_{BATT} = 2.7$  to  $3.6$  V,  $2.7$  V  $\leq V_{REFH0} \leq AVCC0$ ,  
 $V_{SS} = AVSS0 = AVSS1 = V_{REFL0} = V_{SS\_USB} = 0$  V,  
 $PCLKA = 8$  to  $120$  MHz,  $PCLKB = 8$  to  $60$  MHz,  $T_a = T_{opr}$ ,  
 Output load conditions:  $V_{OH} = 0.5 \times V_{CC}$ ,  $V_{OL} = 0.5 \times V_{CC}$ ,  $C = 30$  pF,  
 High-speed interface high-drive output is selected by the drive capacity control register.

Item		Symbol	Min.	Max.	Unit*1	Test Conditions	
RSCI	Input clock cycle	Asynchronous	4	—	$t_{pAcyc}$	Figure 2.55	
		Clock synchronous					
	Input clock pulse width		$t_{SCKW}$	0.4	0.6		$t_{Scyc}$
	Input clock rise time		$t_{SCKr}$	—	5		ns
	Input clock fall time		$t_{SCKf}$	—	5		ns
	Output clock cycle	Asynchronous	$t_{Scyc}$	6	—		$t_{pAcyc}$
		Clock synchronous					
	Output clock pulse width		$t_{SCKW}$	0.4	0.6		$t_{Scyc}$
	Output clock rise time		$t_{SCKr}$	—	5		ns
	Output clock fall time		$t_{SCKf}$	—	5		ns
Receive data setup time	Master	$t_{RXS}$	0.5	—	ns	Figure 2.56	
	Slave						
Receive data hold time	Master	$t_{RXH}$	11	—	ns		
	Slave						
Transmit data delay time	Master	$t_{TXD}$	—	4	ns		
	Slave						

Note 1.  $t_{pAcyc}$ : PCLKA cycle;  $t_{Scyc}$ : SCK cycle



**Figure 2.55 SCK Clock Input Timing**



**Figure 2.56 RSCI Input/Output Timing: Clock Synchronous Mode**

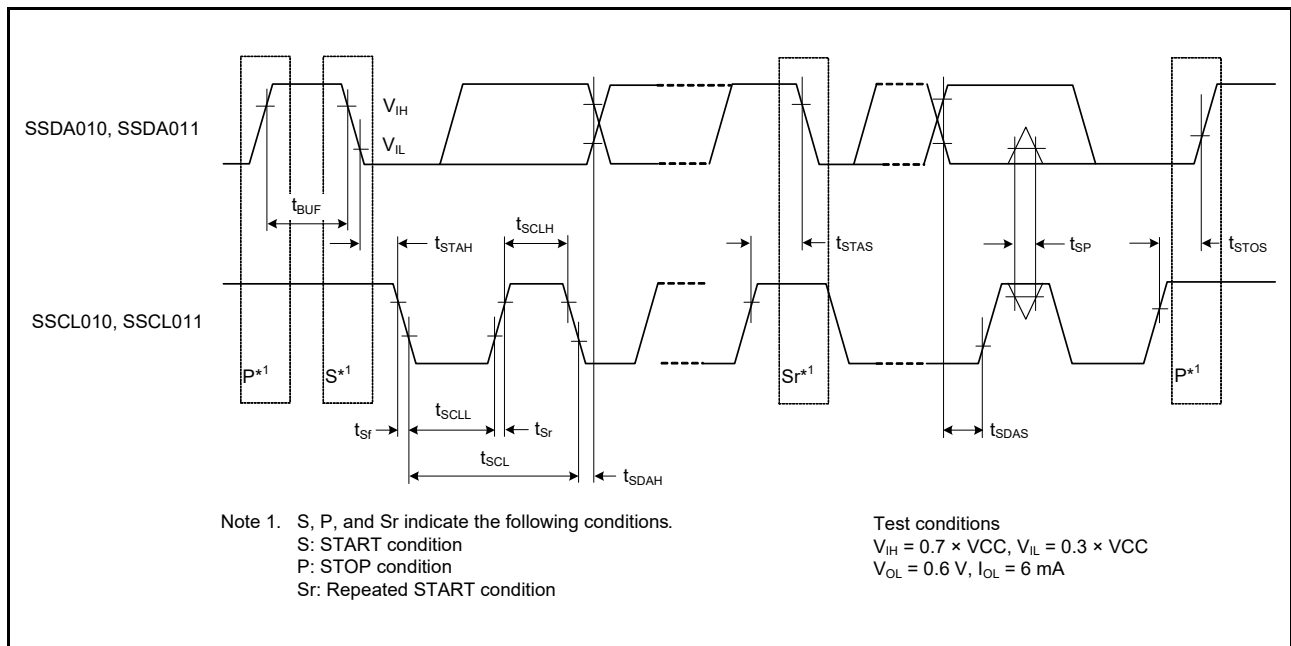
**Table 2.40 Simple IIC Timing**

Conditions:  $V_{CC} = AV_{CC0} = AV_{CC1} = V_{CC\_USB} = V_{BATT} = 2.7$  to  $3.6$  V,  $2.7$  V  $\leq V_{REFH0} \leq AV_{CC0}$ ,  
 $V_{SS} = AV_{SS0} = AV_{SS1} = V_{REFL0} = V_{SS\_USB} = 0$  V,  
 $PCLKA = 8$  to  $120$  MHz,  $PCLKB = 8$  to  $60$  MHz,  $T_a = T_{opr}$ ,  
 High-speed interface high-drive output is selected by the drive capacity control register.

Item		Symbol	Min.	Max.	Unit	Test Conditions
Simple IIC (Standard-mode)	SSCL, SSDA input rise time	$t_{Sr}$	—	1000	ns	Figure 2.57
	SSCL, SSDA input fall time	$t_{Sf}$	—	300	ns	
	SSCL, SSDA input spike pulse removal time	$t_{SP}$	0	$4 \times t_{PAcyc}$	ns	
	Data input setup time	$t_{SDAS}$	250	—	ns	
	Data input hold time	$t_{SDAH}$	0	—	ns	
	SSCL, SSDA capacitive load	$C_b^{*1}$	—	400	pF	
Simple IIC (Fast-mode)	SSCL, SSDA input rise time	$t_{Sr}$	—	300	ns	
	SSCL, SSDA input fall time	$t_{Sf}$	—	300	ns	
	SSCL, SSDA input spike pulse removal time	$t_{SP}$	0	$4 \times t_{PAcyc}$	ns	
	Data input setup time	$t_{SDAS}$	100	—	ns	
	Data input hold time	$t_{SDAH}$	0	—	ns	
	SSCL, SSDA capacitive load	$C_b^{*1}$	—	400	pF	

Note:  $t_{PAcyc}$ : PCLKA cycle

Note 1.  $C_b$  is the total capacitance of the bus lines.



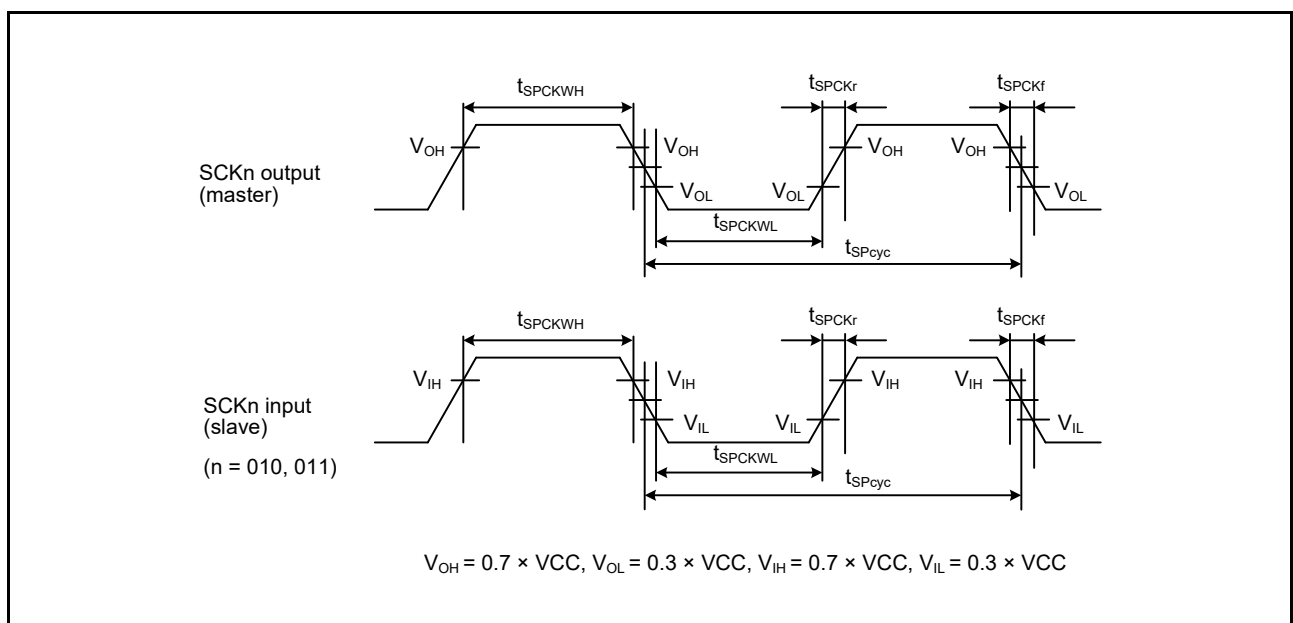
**Figure 2.57 Simple IIC Bus Interface Input/Output Timing**

**Table 2.41 Simple SPI Timing**

Conditions:  $V_{CC} = AVCC0 = AVCC1 = V_{CC\_USB} = V_{BATT} = 2.7$  to  $3.6$  V,  $2.7$  V  $\leq V_{REFH0} \leq AVCC0$ ,  
 $V_{SS} = AVSS0 = AVSS1 = V_{REFL0} = V_{SS\_USB} = 0$  V,  
 $PCLKA = 8$  to  $120$  MHz,  $PCLKB = 8$  to  $60$  MHz,  $T_a = T_{opr}$ ,  
 Output load conditions:  $V_{OH} = 0.5 \times V_{CC}$ ,  $V_{OL} = 0.5 \times V_{CC}$ ,  $C = 30$  pF,  
 High-speed interface high-drive output is selected by the drive capacity control register.

Item		Symbol	Min.	Max.	Unit*1	Test Conditions	
Simple SPI	SCK clock cycle output (master)	$t_{SPCyc}$	2	—	$t_{PACyc}$	Figure 2.58	
	SCK clock cycle input (slave)		2	—			
	SCK clock high pulse width	$t_{SPCKWH}$	0.4	0.6	$t_{SPCyc}$		
	SCK clock low pulse width	$t_{SPCKWL}$	0.4	0.6	$t_{SPCyc}$		
	SCK clock rise/fall time	Output	$t_{SPCKr}$ , $t_{SPCKf}$	—	5	ns	Figure 2.59 to Figure 2.62
		Input		—	1	$\mu$ s	
	Data input setup time	Master	$t_{SU}$	0.5	—	ns	
		Slave		2.5	—		
	Data input hold time	Master	$t_H$	11	—	ns	
		Slave		2.5	—		
	Data output delay time	Master	$t_{OD}$	—	4	ns	
		Slave		—	15		
	Data output hold time	Master	$t_{OH}$	0	—	ns	
		Slave		0	—		
Data rise/fall time	Output	$t_{Dr}$ , $t_{Df}$	—	5	ns		
	Input		—	1		—	
Slave access time		$t_{SA}$	—	5	$t_{PACyc}$	Figure 2.61, Figure 2.62	
Slave output release time		$t_{REL}$	—	5	$t_{PACyc}$		
SS input setup time		$t_{LEAD}$	1	—	$t_{SPCyc}$	Figure 2.59 to Figure 2.62	
SS input hold time		$t_{LAG}$	1	—	$t_{SPCyc}$		
SS input rise/fall time		$t_{SSLr}$ , $t_{SSLf}$	—	1	$\mu$ s		

Note 1.  $t_{PACyc}$ : PCLKA cycle



**Figure 2.58 Simple SPI Clock Timing**

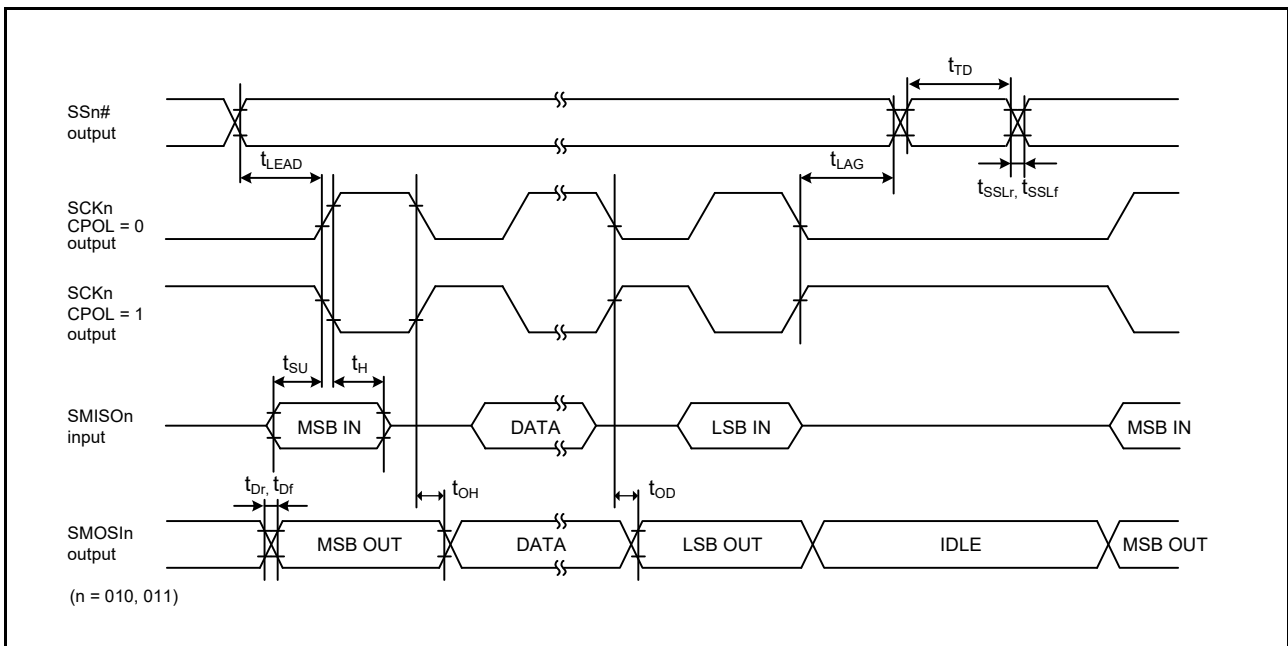


Figure 2.59 Simple SPI Timing (Master, CPHA = 0)

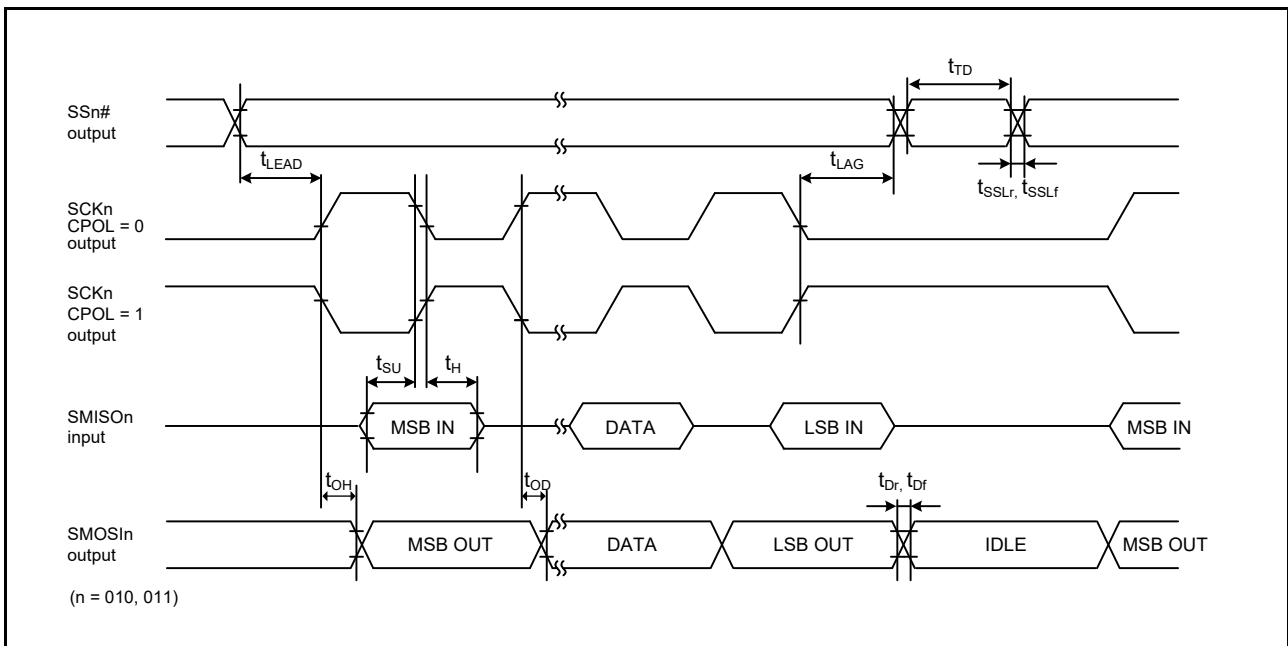


Figure 2.60 Simple SPI Timing (Master, CPHA = 1)

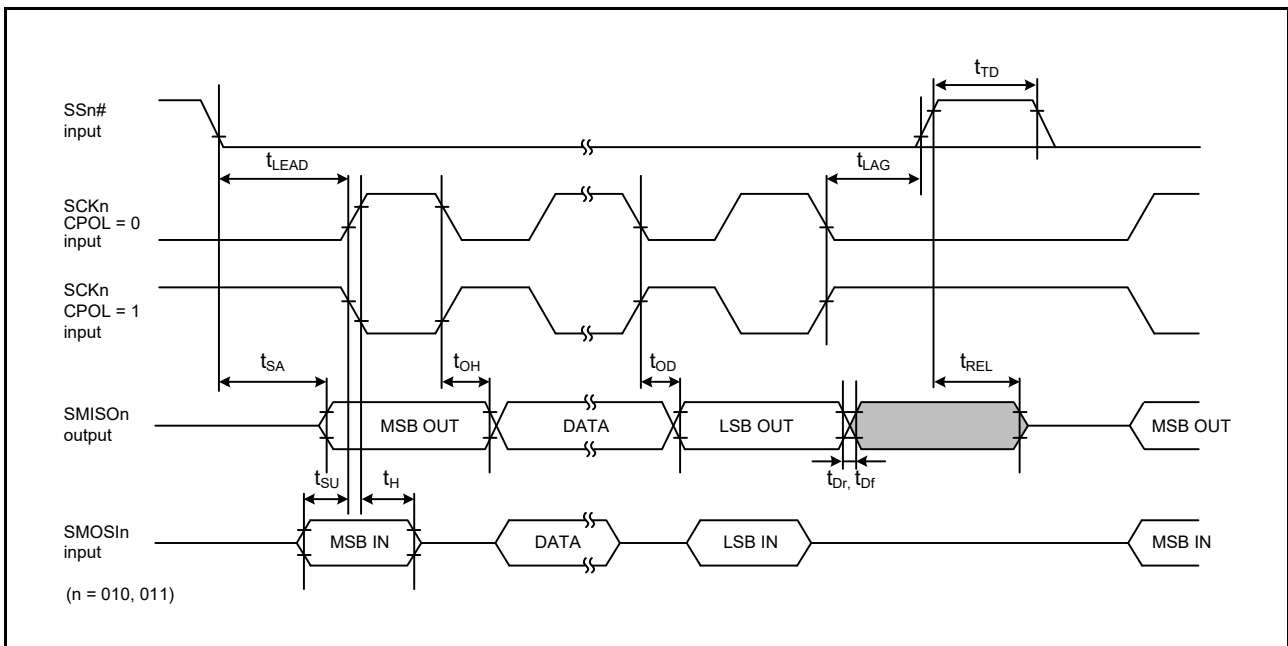


Figure 2.61 Simple SPI Timing (Slave, CPHA = 0)

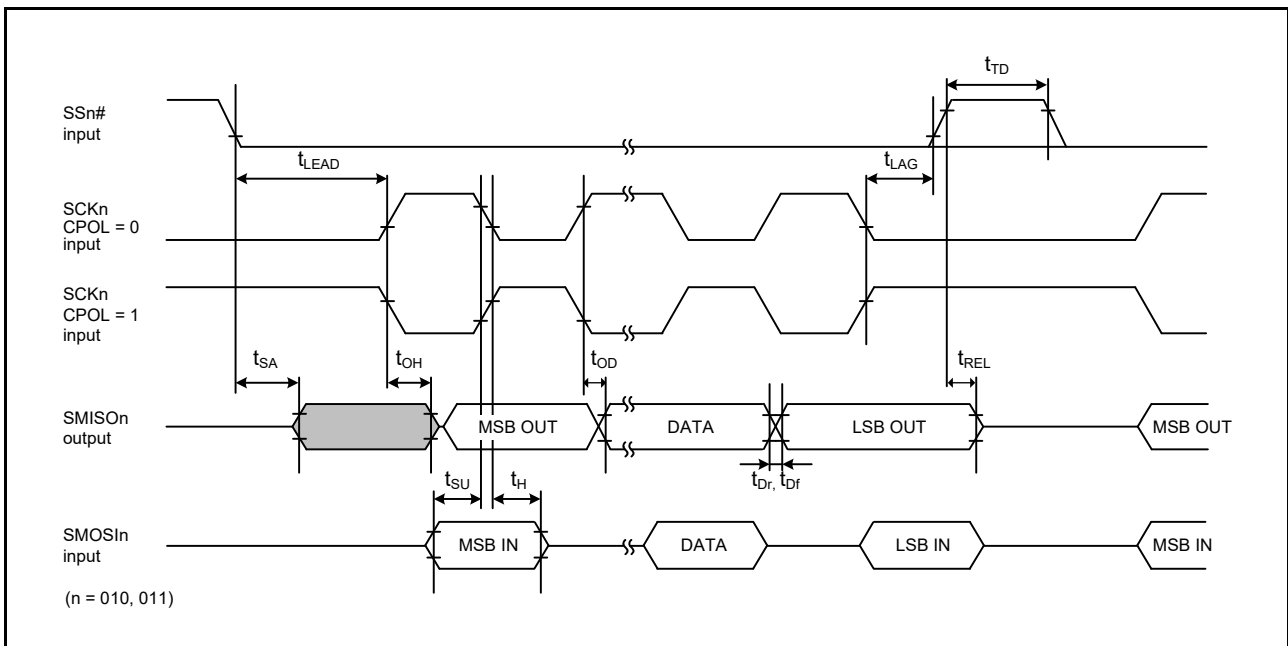


Figure 2.62 Simple SPI Timing (Slave, CPHA = 1)

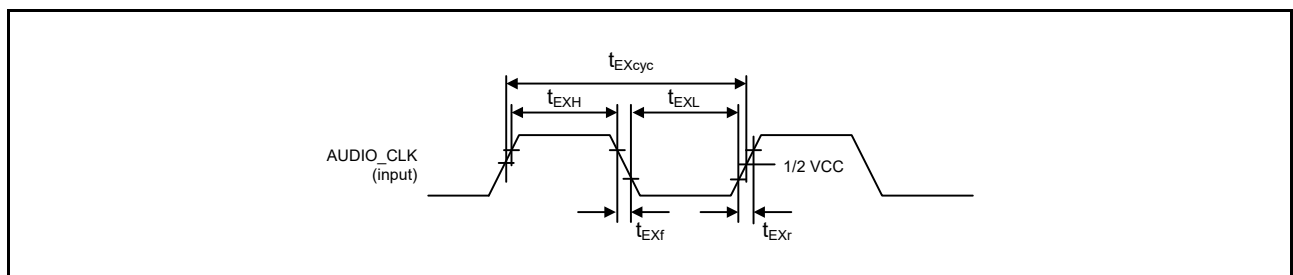


2.4.7.11 SSIE

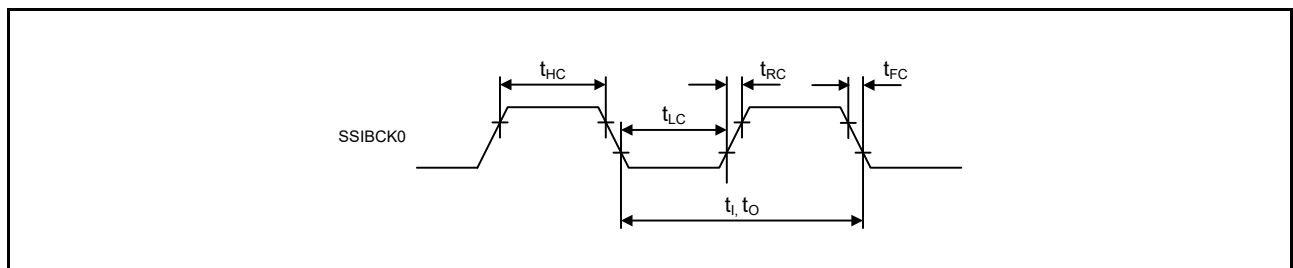
**Table 2.42 Expansion Serial Sound Interface Timing**

Conditions:  $V_{CC} = AV_{CC0} = AV_{CC1} = V_{CC\_USB} = V_{BATT} = 2.7$  to  $3.6$  V,  $2.7$  V  $\leq V_{REFH0} \leq AV_{CC0}$ ,  
 $V_{SS} = AV_{SS0} = AV_{SS1} = V_{REFL0} = V_{SS\_USB} = 0$  V,  
 $PCLKA = 8$  to  $120$  MHz,  $PCLKB = 8$  to  $60$  MHz,  $T_a = T_{opr}$ ,  
 Output load conditions:  $V_{OH} = 0.5 \times V_{CC}$ ,  $V_{OL} = 0.5 \times V_{CC}$ ,  $C = 30$  pF,  
 High-drive output is selected by the drive capacity control register.

Item		Symbol	Min.	Max.	Unit	Test Conditions	
AUDIO_CLK	Cycle	$t_{EXcyc}$	20	—	ns	Figure 2.63	
	High/low level	$t_{EXL}/t_{EXH}$	0.4	0.6	$t_{EXcyc}$		
SSIBCK0	Cycle	Master	$t_O$	80	—	Figure 2.64	
		Slave	$t_I$	80	—		
	Output clock high level	Master	$t_{HC}$	0.35	—		$t_O$
			$t_{LC}$	0.35	—		$t_O$
	Input clock high level	Slave	$t_{HC}$	0.35	—		$t_I$
			$t_{LC}$	0.35	—		$t_I$
	Output clock rise time	Master	$t_{RC}$	—	0.15		$t_O$
	Output clock fall time	Master	$t_{FC}$	—	0.15		$t_O$
	Input clock rise time	Slave	$t_{RC}$	—	0.15		$t_I$
	Input clock fall time	Slave	$t_{FC}$	—	0.15		$t_I$
SSILRCK0, SSITXD0, SSIRXD0	Input setup time	Master	$t_{SR}$	12	—	Figure 2.65, Figure 2.66	
		Slave		12	—		
	Input hold time	Master	$t_{HR}$	8	—	ns	
		Slave		15	—		
	Output delay time	Master	$t_{DTR}$	-10	5	ns	
		Slave		0	20		
Output delay time from when an SSILRCK0 signal is changed	Slave	$t_{DTRW}$	—	20	ns	Figure 2.67	



**Figure 2.63 Clock Input Timing**



**Figure 2.64 SSIE Clock Input/Output Timing**

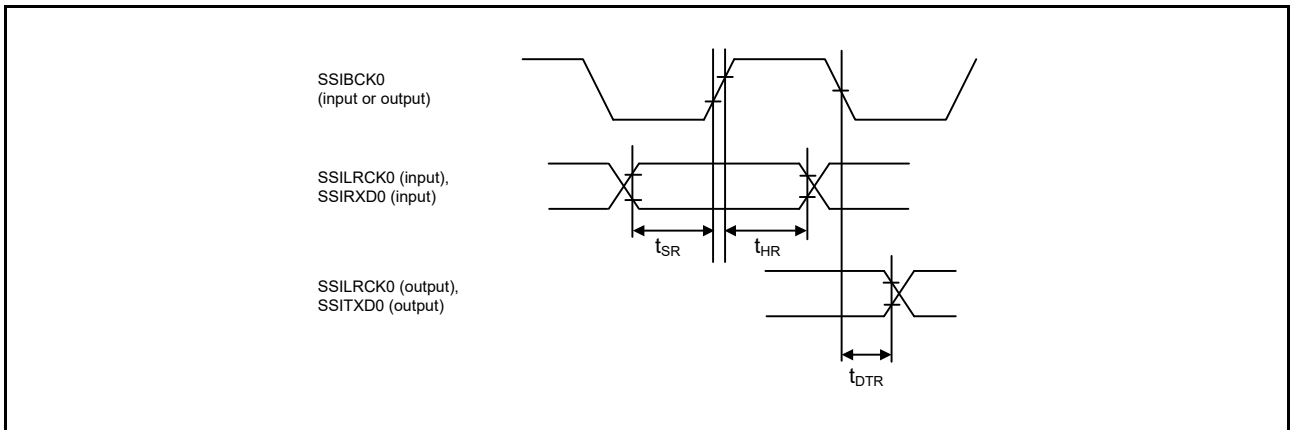


Figure 2.65 Transmission and Reception Timing for the SSIE Data When the SSICR.BCKP Bit is 0

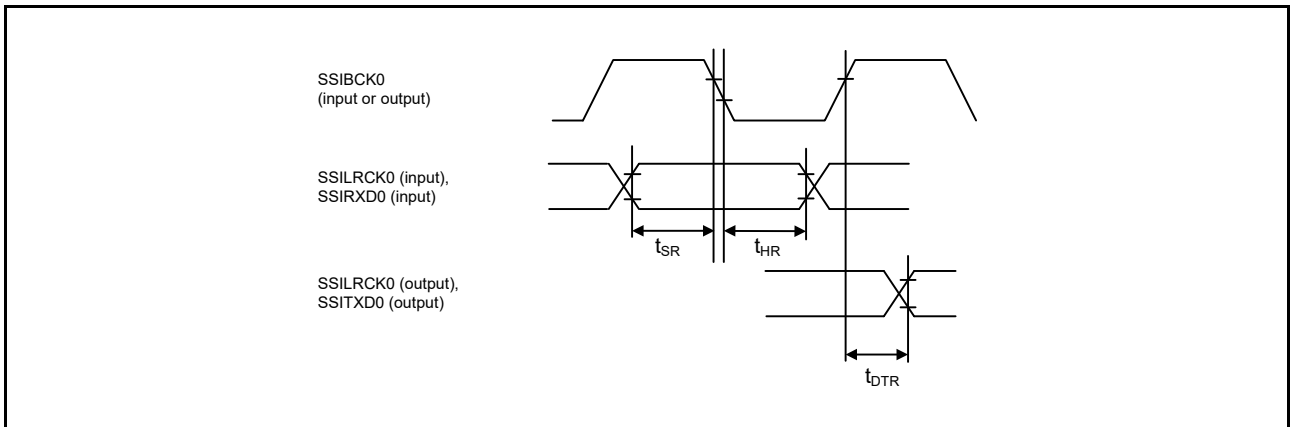


Figure 2.66 Transmission and Reception Timing for the SSIE Data When the SSICR.BCKP Bit is 1

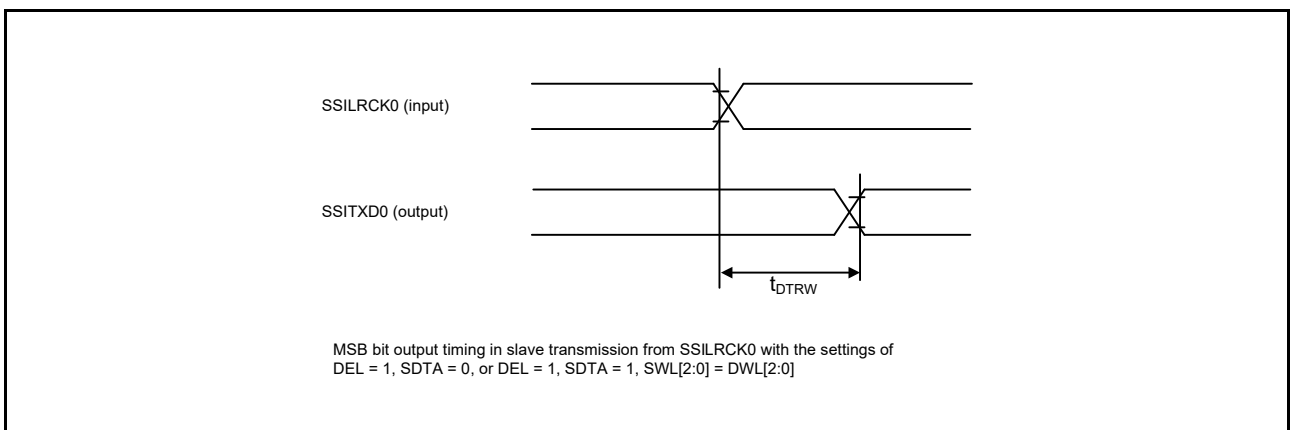


Figure 2.67 Output Delay of the SSIE Data from When an SSILRCK0 Signal is Changed

## 2.4.7.12 RSPI

**Table 2.43 RSPI Timing**

Conditions:  $V_{CC} = AVCC0 = AVCC1 = V_{CC\_USB} = V_{BATT} = 2.7$  to  $3.6$  V,  $2.7$  V  $\leq$   $V_{REFH0} \leq AVCC0$ ,  
 $V_{SS} = AVSS0 = AVSS1 = V_{REFL0} = V_{SS\_USB} = 0$  V,  
 $PCLKA = 8$  to  $120$  MHz,  $PCLKB = 8$  to  $60$  MHz,  $T_a = T_{opr}$ ,  
 Output load conditions:  $V_{OH} = 0.5 \times V_{CC}$ ,  $V_{OL} = 0.5 \times V_{CC}$ ,  $C = 30$  pF,  
 High-drive output is selected by the drive capacity control register.

Item		Symbol	Min.*1	Max.*1	Unit*1	Test Conditions*2		
RSPI	RSPCK clock cycle	Master	$t_{SPcyc}$	2	—	$t_{PAcyc}$	Figure 2.68	
		Slave		4	—			
RSPCK clock high pulse width	Master	$t_{SPCKWH}$	$(t_{SPcyc} - t_{SPCKr} - t_{SPCKf}) / 2 - 3$	—	ns			
	Slave							0.4
RSPCK clock low pulse width	Master	$t_{SPCKWL}$	$(t_{SPcyc} - t_{SPCKr} - t_{SPCKf}) / 2 - 3$	—	ns			
	Slave							0.4
RSPCK clock rise/fall time	Output	$t_{SPCKr}$	—	5	ns			
	Input	$t_{SPCKf}$	—	1	$\mu$ s			
Data input setup time	Master	$t_{SU}$		6	—	ns		Figure 2.69 to Figure 2.74
	Slave							
Data input hold time	Master	PCLKA division ratio set to 1/2	$t_{HF}$	0	—	ns		
								PCLKA division ratio set to a value other than 1/2
	Slave		8.3	—				
SSL setup time	Master	$t_{LEAD}$		1	8	$t_{SPcyc}$		
	Slave						4	—
SSL hold time	Master	$t_{LAG}$		1	8	$t_{SPcyc}$		
	Slave						4	—
Data output delay time	Master	$t_{OD}$		—	6.3	ns		
	Slave						—	28
Data output hold time	Master	$t_{OH}$		0	—	ns		
	Slave						0	—
Successive transmission delay time	Master	$t_{TD}$		$t_{SPcyc} + 2 \times t_{PAcyc}$	$8 \times t_{SPcyc} + 2 \times t_{PAcyc}$	ns		
	Slave						$4 \times t_{PAcyc}$	—
MOSI and MISO rise/fall time	Output	$t_{Dr}, t_{Df}$		—	5	ns		
	Input						—	1
SSL rise/fall time	Output	$t_{SSLr}, t_{SSLf}$		—	5	ns		
	Input						—	1
Slave access time		$t_{SA}$		—	28	ns	Figure 2.73, Figure 2.74	
Slave output release time		$t_{REL}$		—	28	ns		

Note 1.  $t_{PAcyc}$ : PCLKA cycle

Note 2. When a letter "-A", "-B", etc. to indicate group membership is appended to the pin name, each pin is recommended to use in combination with the pins in the same group. All RSPI AC timings are measured in combination with the pins in the same group.

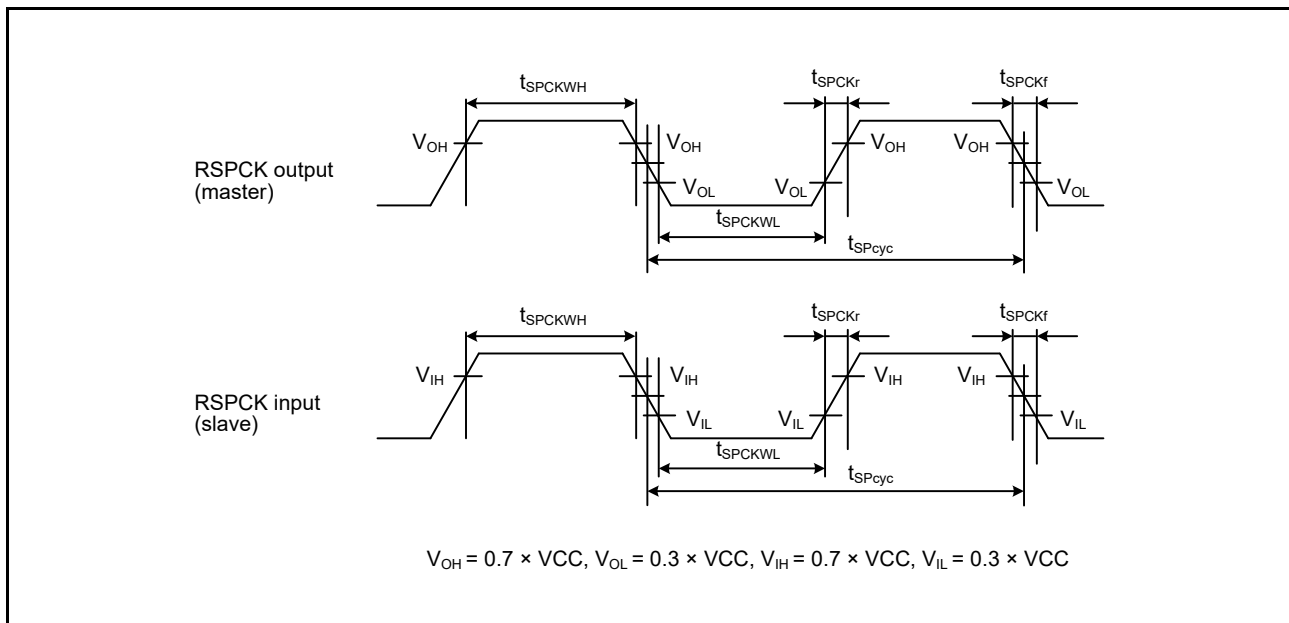


Figure 2.68 RSPCK Clock Timing

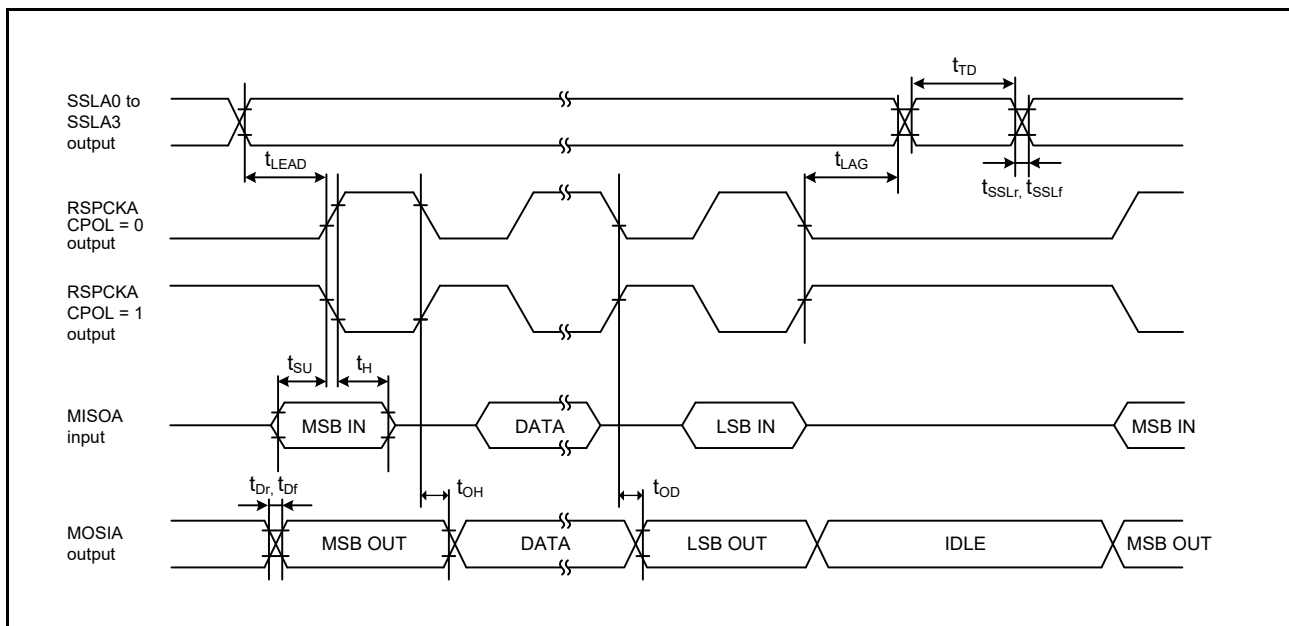
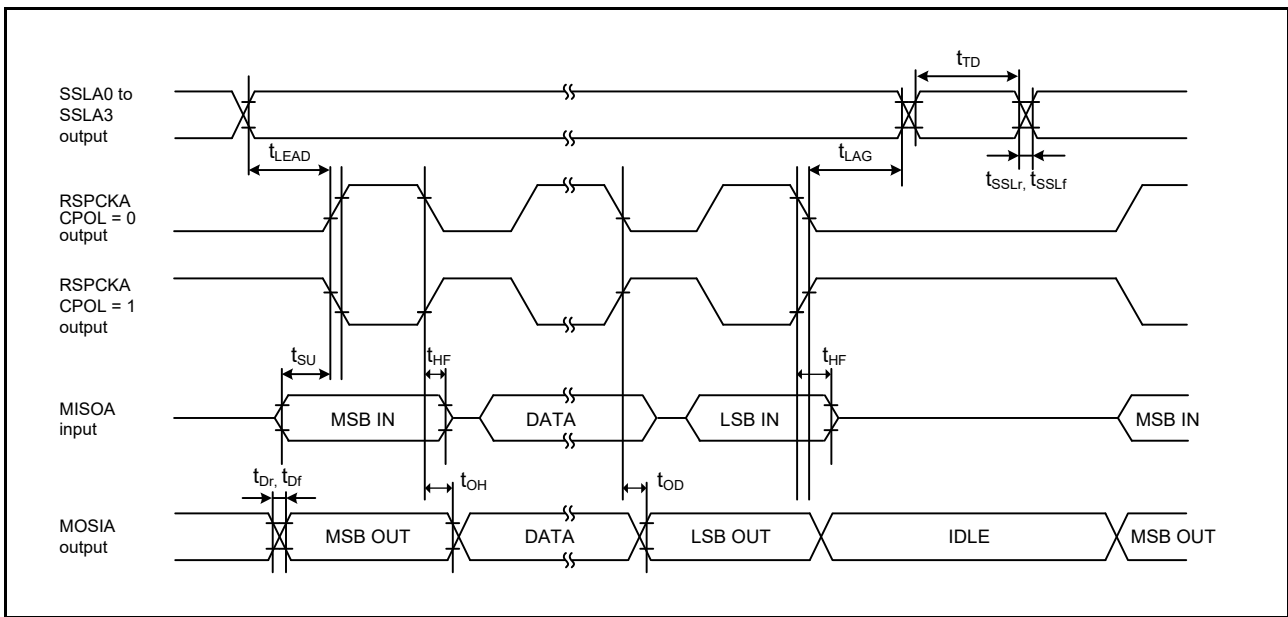
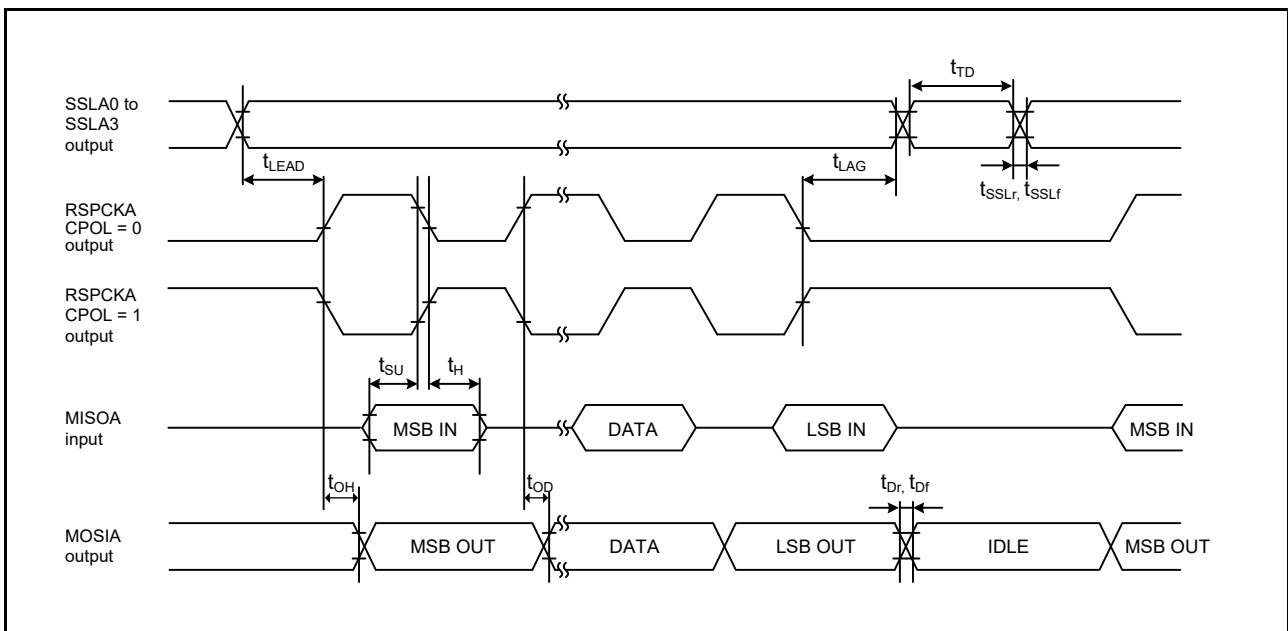


Figure 2.69 RSPCKA Timing (Master, CPHA = 0) (Bit Rate: PCLKA Division Ratio Set to a Value Other Than 1/2)



**Figure 2.70 RSPI Timing (Master, CPHA = 0) (Bit Rate: PCLKA Division Ratio Set to 1/2)**



**Figure 2.71 RSPI Timing (Master, CPHA = 1) (Bit Rate: PCLKA Division Ratio Set to a Value Other Than 1/2)**

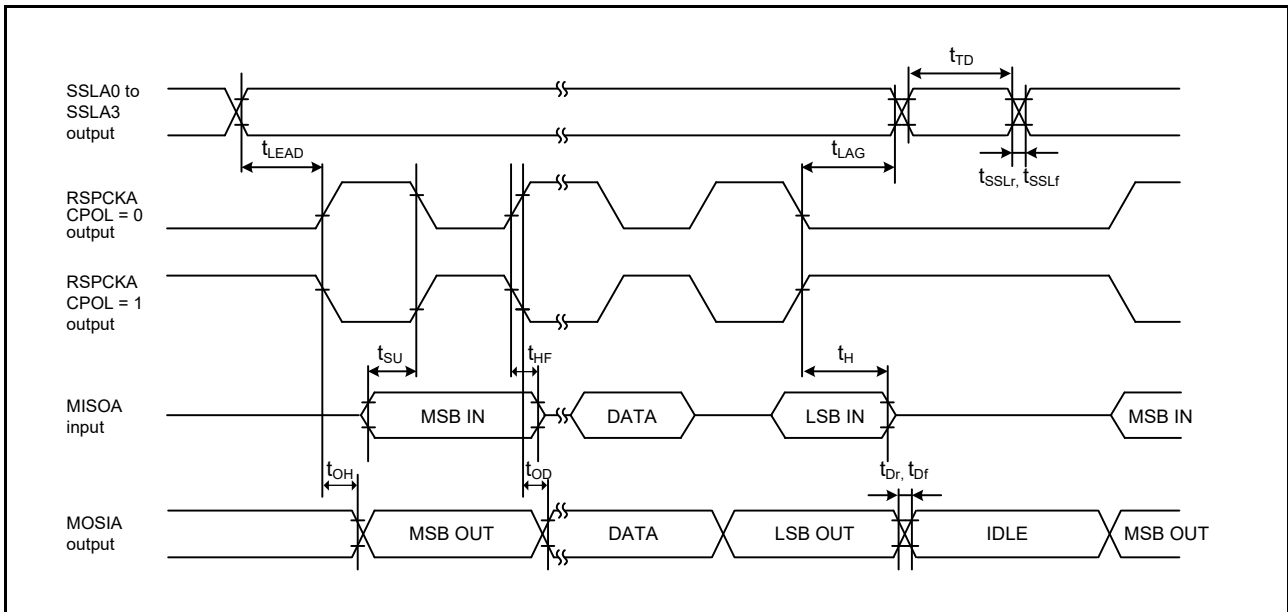


Figure 2.72 RSPI Timing (Master, CPHA = 1) (Bit Rate: PCLKA Division Ratio Set to 1/2)

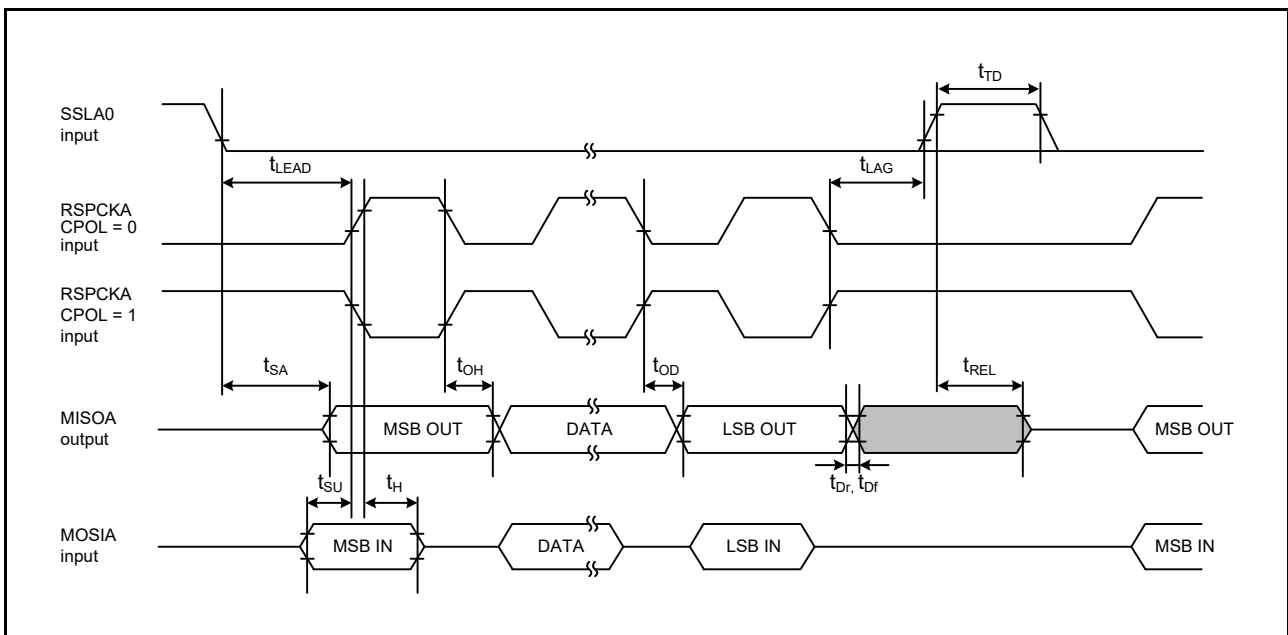


Figure 2.73 RSPI Timing (Slave, CPHA = 0)

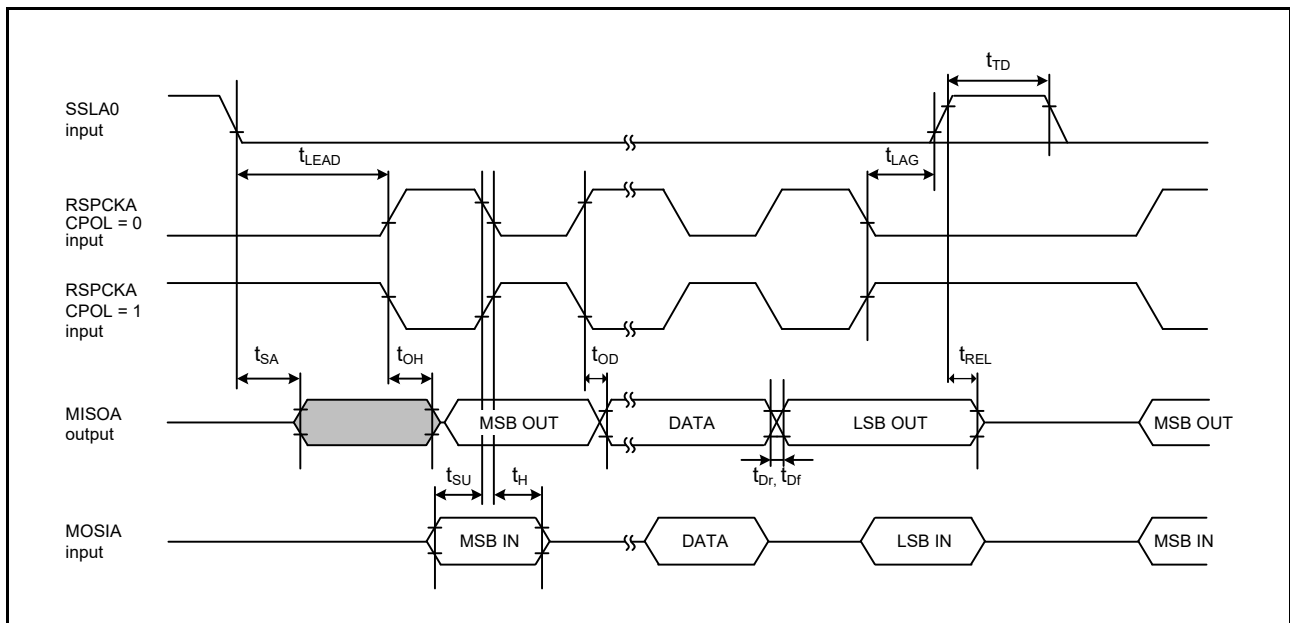


Figure 2.74 RSPI Timing (Slave, CPHA = 1)

## 2.4.7.13 RSPIA

**Table 2.44 RSPIA Timing**

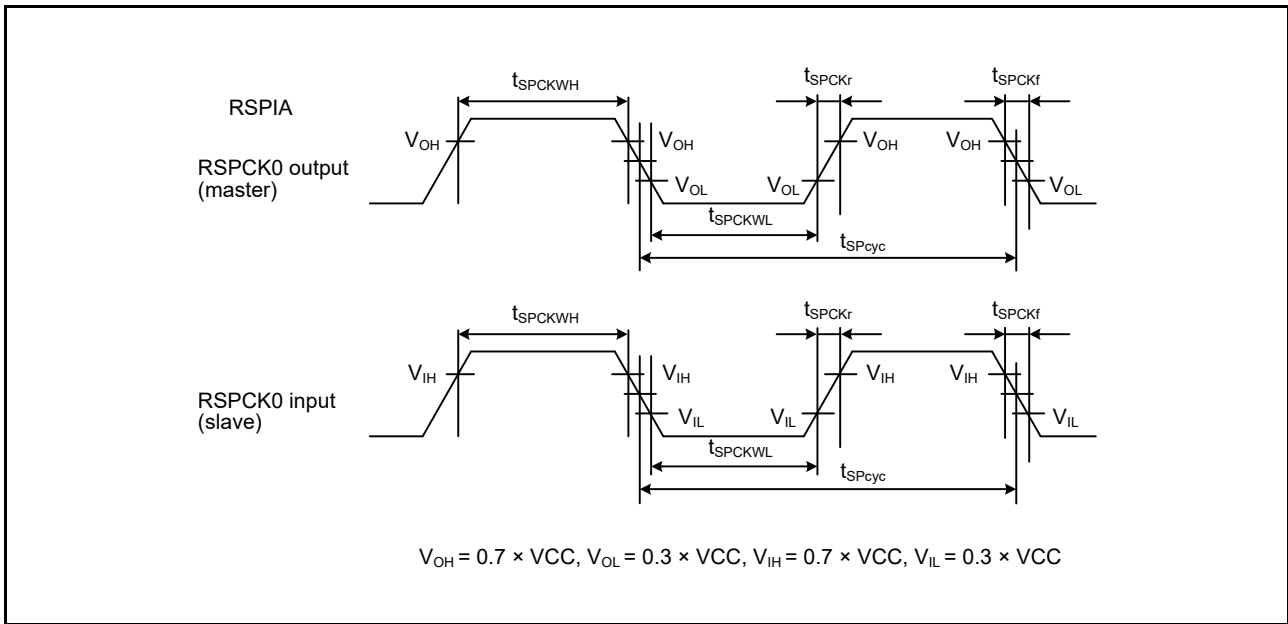
Conditions:  $V_{CC} = AVCC0 = AVCC1 = V_{CC\_USB} = V_{BATT} = 2.7$  to  $3.6$  V,  $2.7$  V  $\leq$   $V_{REFH0} \leq AVCC0$ ,  
 $V_{SS} = AVSS0 = AVSS1 = V_{REFL0} = V_{SS\_USB} = 0$  V,  
 $PCLKA = 8$  to  $120$  MHz,  $PCLKB = 8$  to  $60$  MHz,  $T_a = T_{opr}$ ,  
 Output load conditions:  $V_{OH} = 0.5 \times V_{CC}$ ,  $V_{OL} = 0.5 \times V_{CC}$ ,  $C = 30$  pF,  
 High-speed interface high-drive output is selected by the drive capacity control register.

Item		Symbol	Min.*1	Max.*1	Unit*1	Test Conditions*2		
RSPI	RSPCK clock cycle	Master	$t_{SPCyc}$	2	—	$t_{PAcyc}$	Figure 2.75	
		Slave		2	—			
	RSPCK clock high pulse width	Master	$t_{SPCKWH}$	$(t_{SPCyc} - t_{SPCKr} - t_{SPCKf}) / 2 - 3$	—	ns		Figure 2.76 to Figure 2.82
		Slave						
	RSPCK clock low pulse width	Master	$t_{SPCKWL}$	$(t_{SPCyc} - t_{SPCKr} - t_{SPCKf}) / 2 - 3$	—	ns		
		Slave						
	RSPCK clock rise/fall time	Output	$t_{SPCKr}$ , $t_{SPCKf}$	—	5	ns		
		Input		—	1	$\mu$ s		
	Data input setup time	Master	$t_{SU}$	0	—	ns		
		Slave		2.5	—			
	Data input hold time	Master	$t_H$	5.7	—	ns		
		Slave		2.5	—			
	SSL setup time	Master	$t_{LEAD}$	1	8	$t_{SPCyc}$		
		Slave		6	—	$t_{PAcyc}$		
	SSL hold time	Master	$t_{LAG}$	1	8	$t_{SPCyc}$		
		Slave		6	—	$t_{PAcyc}$		
Data output delay time	Master	$t_{OD}$	—	4	ns			
	Slave		—	14				
Data output hold time	Master	$t_{OH}$	0	—	ns			
	Slave		0	—				
Successive transmission delay time	Master	$t_{TD}$	$t_{SPCyc} + 2 \times t_{PAcyc}$	$8 \times t_{SPCyc} + 2 \times t_{PAcyc}$	ns			
	Slave		$t_{SPCyc}$	—				
MOSI and MISO rise/fall time	Output	$t_{Dr}$ , $t_{Df}$	—	5	ns			
	Input		—	1		$\mu$ s		
SSL rise/fall time	Output	$t_{SSLr}$ , $t_{SSLf}$	—	5	ns			
	Input		—	1		$\mu$ s		
Slave access time		$t_{SA}$	—	20	ns	Figure 2.79, Figure 2.80		
Slave output release time		$t_{REL}$	—	20	ns			
TI SSP SS input setup time	Slave	$t_{TISS}$	4.5	—	ns	Figure 2.81, Figure 2.82		
TI SSP SS input hold time	Slave	$t_{TISH}$	2.5	—	ns			
TI SSP next-access delay time	Slave	$t_{TIND}$	$2 \times t_{PAcyc} +$ $SLNDL \times t_{PAcyc}$	—	ns			
TI SSP SS output delay time	Master	$t_{TISSOD}$	—	7	ns	Figure 2.78		

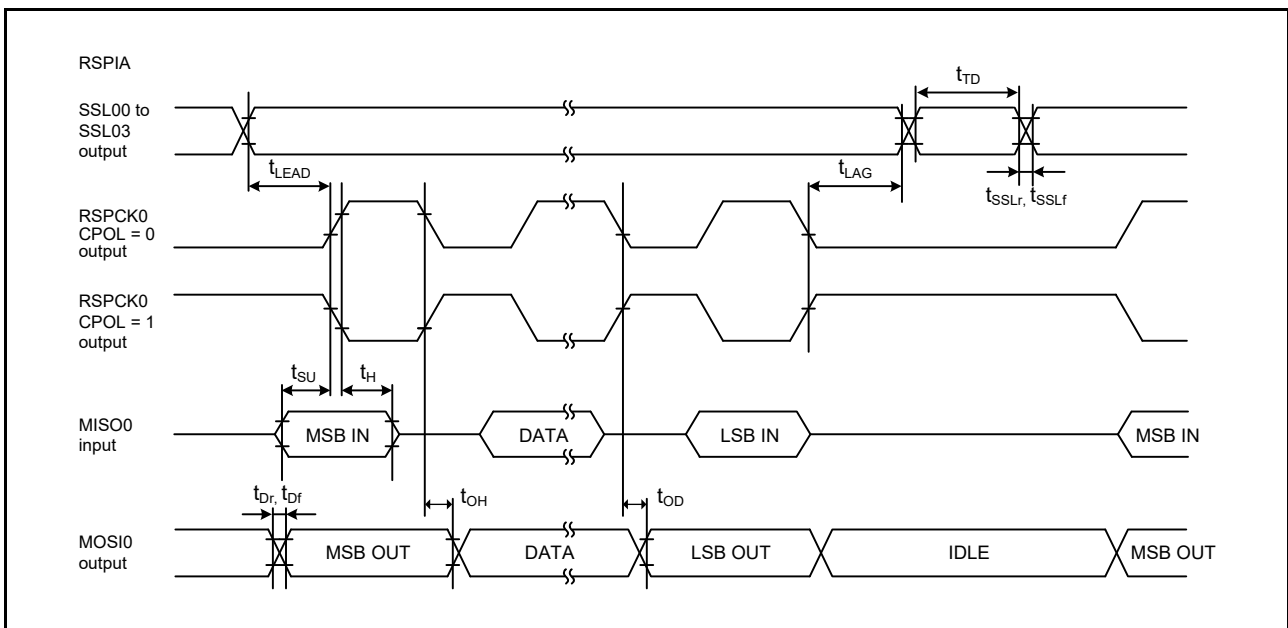
Note 1.  $t_{PAcyc}$ : PCLKA cycle

Note 2. When a letter “-A”, “-B”, etc. to indicate group membership is appended to the pin name, each pin is recommended to use in combination with the pins in the same group. All RSPIA AC timings are measured in combination with the pins in the same group.





**Figure 2.75 RSPCK0 Clock Timing**



**Figure 2.76 RSPCK0 Timing (Master, Motorola SPI, CPHA = 0)**

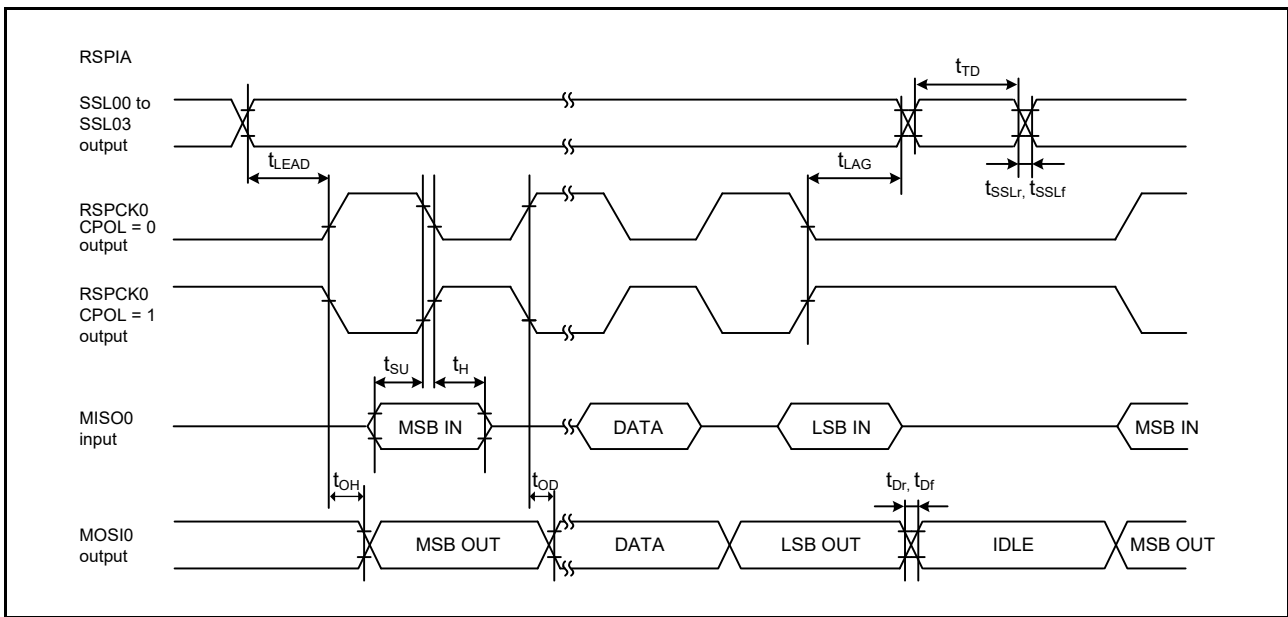


Figure 2.77 RSPIA Timing (Master, Motorola SPI, CPHA = 1)

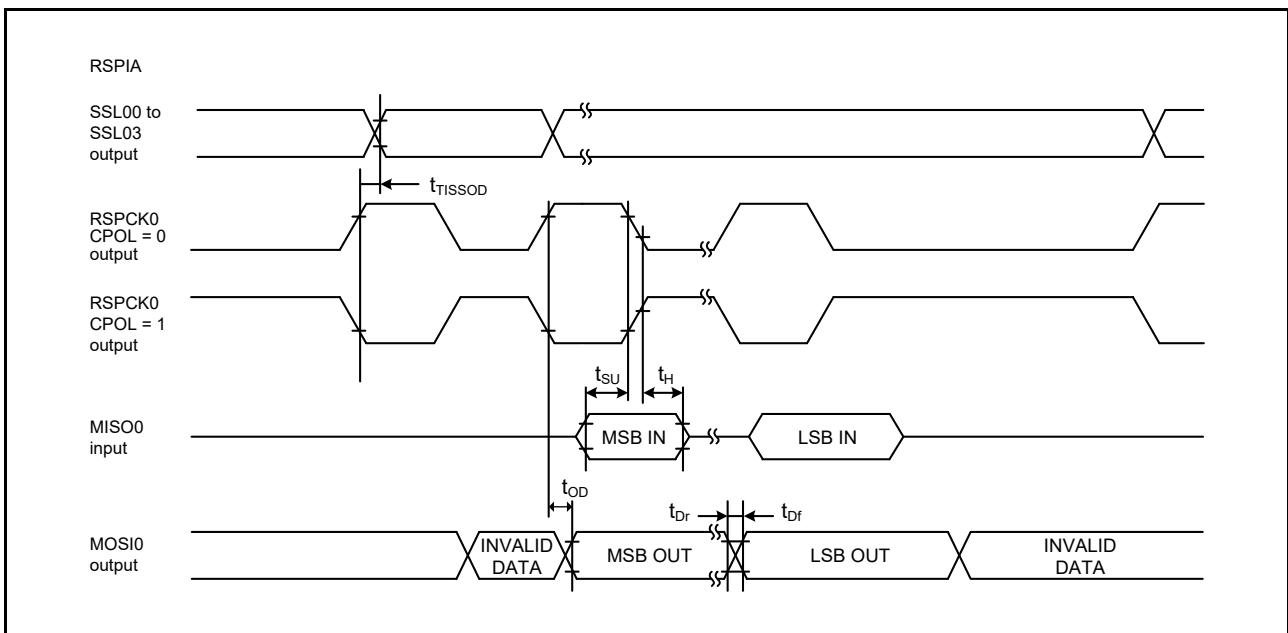


Figure 2.78 RSPIA Timing (Master, TI SSP)

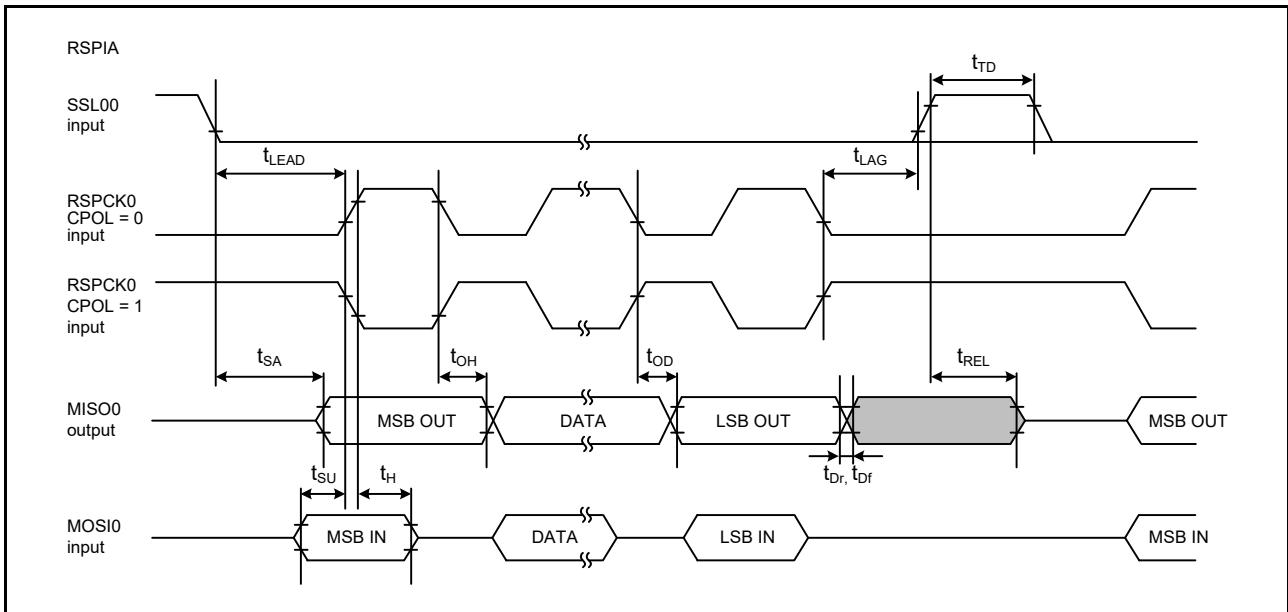


Figure 2.79 RSPCIA Timing (Slave, Motorola SPI, CPHA = 0)

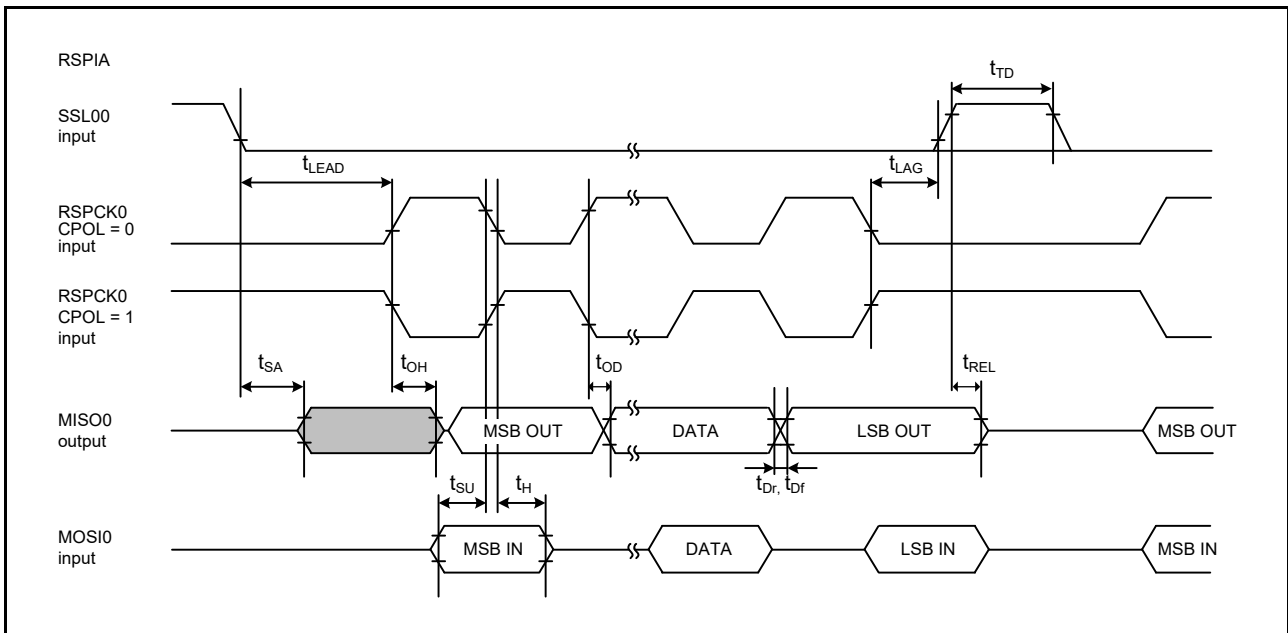


Figure 2.80 RSPCIA Timing (Slave, Motorola SPI, CPHA = 1)

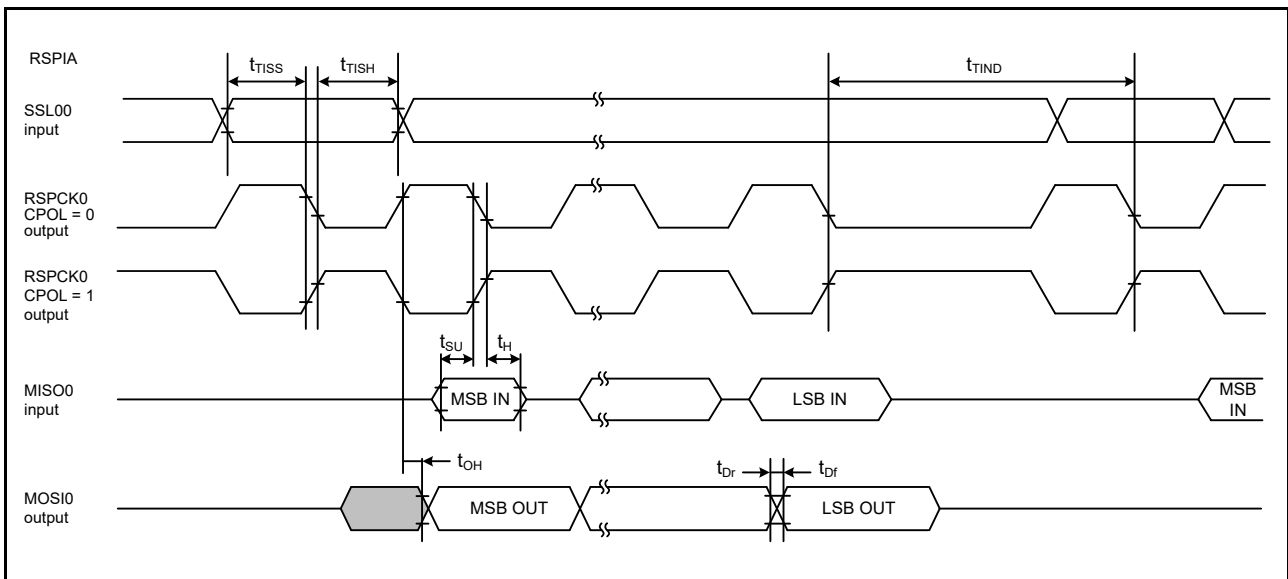


Figure 2.81 RSPIA Timing (Slave, TI SSP, Transmit with Delay between Frames)

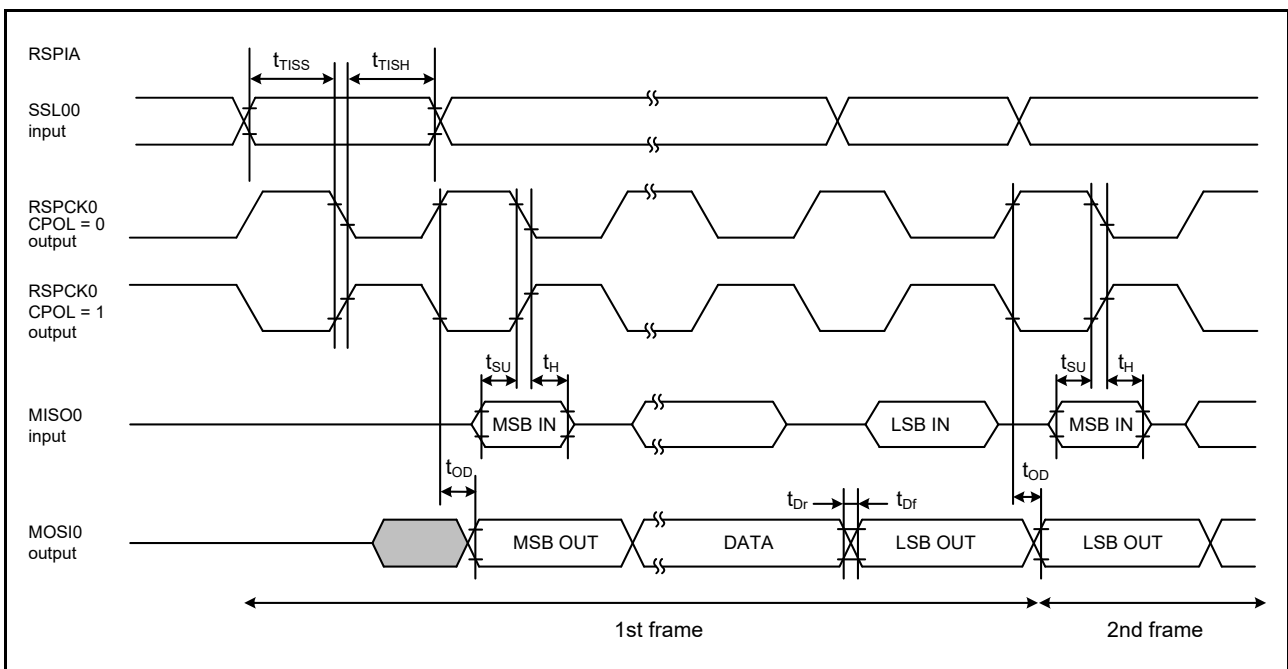


Figure 2.82 RSPIA Timing (Slave, TI SSP, Transmit with No Delay between Frames)

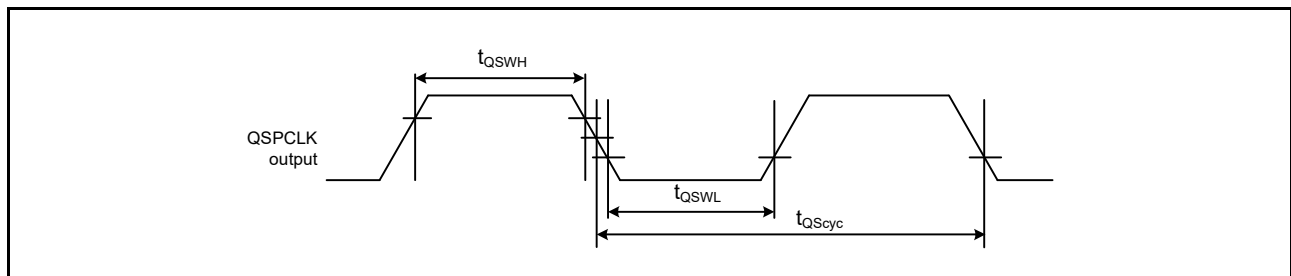
2.4.7.14 QSPIX

**Table 2.45 QSPIX Timing**

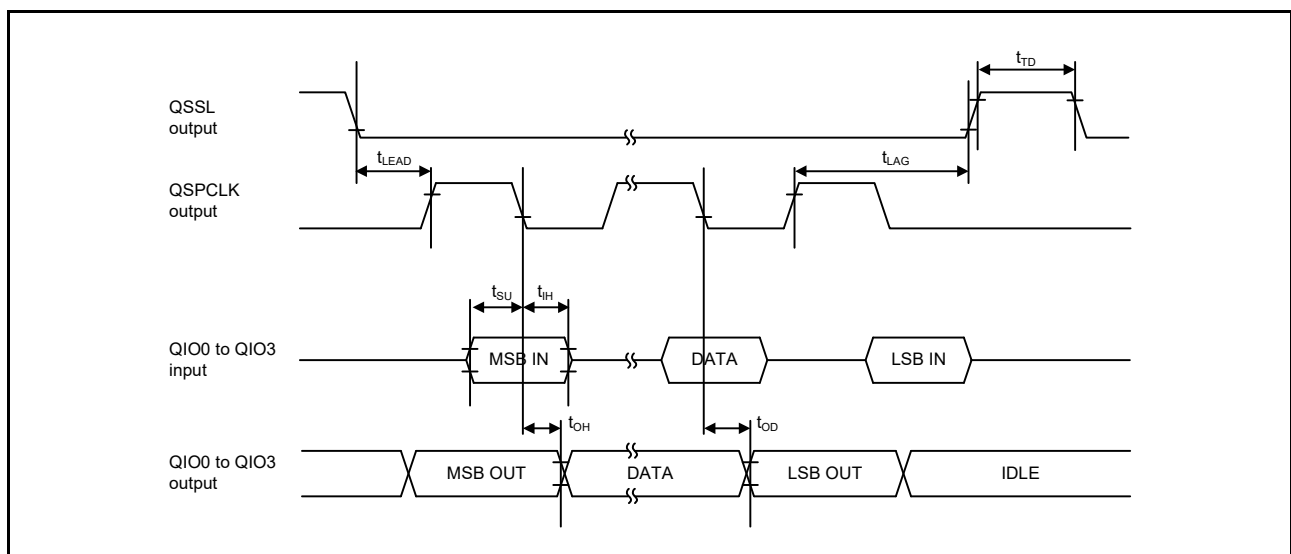
Conditions:  $V_{CC} = AVCC0 = AVCC1 = V_{CC\_USB} = V_{BATT} = 2.7$  to  $3.6$  V,  $2.7$  V  $\leq V_{REFH0} \leq AVCC0$ ,  
 $V_{SS} = AVSS0 = AVSS1 = V_{REFL0} = V_{SS\_USB} = 0$  V,  
 $ICLK = 8$  to  $120$  MHz,  $PCLKA = 8$  to  $120$  MHz,  $PCLKB = 8$  to  $60$  MHz,  $T_a = T_{opr}$ ,  
 Output load conditions:  $V_{OH} = 0.5 \times V_{CC}$ ,  $V_{OL} = 0.5 \times V_{CC}$ ,  $C = 30$  pF,  
 High-speed interface high-drive output is selected by the drive capacity control register.

Item	Symbol	Min.	Max.	Unit	Test Conditions	
QSPIX	QSPCLK clock cycle	$t_{QScyc}$	2	48	$t_{cyc}^{*1}$	Figure 2.83
	QSPCLK clock high pulse width	$t_{QSWH}$	$t_{QScyc} \times 0.4$	—	ns	
	QSPCLK clock low pulse width	$t_{QSWL}$	$t_{QScyc} \times 0.4$	—	ns	
QSPIX	Data input setup time	$t_{Su}$	8	—	ns	Figure 2.84
	Data input hold time	$t_{IH}$	0	—	ns	
	QSSL setup time	$t_{LEAD}$	$(N + 0.5) \times t_{QScyc} - 5^{*2}$	$(N + 0.5) \times t_{QScyc} + 100^{*2}$	ns	
	QSSL hold time	$t_{LAG}$	$(N + 0.5) \times t_{QScyc} - 5^{*3}$	$(N + 0.5) \times t_{QScyc} + 100^{*3}$	ns	
	Data output delay time	$t_{OD}$	—	4	ns	
	Data output hold time	$t_{OH}$	-3.3	—	ns	
	Successive transmission delay time	$t_{TD}$	1	16	$t_{QScyc}$	

Note 1.  $t_{cyc}$ : ICLK cycle  
 Note 2. N: Value of the SPSSCR.SSSU bit (0 or 1)  
 Note 3. N: Value of the SPSSCR.SSHLD bit (0 or 1)



**Figure 2.83 QSPIX Clock Timing**



**Figure 2.84 Transmit/Receive Timing**

## 2.4.7.15 RIIC

**Table 2.46 RIIC Timing (1)**

Conditions:  $V_{CC} = AV_{CC0} = AV_{CC1} = V_{CC\_USB} = V_{BATT} = 2.7$  to  $3.6$  V,  $2.7$  V  $\leq V_{REFH0} \leq AV_{CC0}$ ,  
 $V_{SS} = AV_{SS0} = AV_{SS1} = V_{REFL0} = V_{SS\_USB} = 0$  V,  
 $PCLKA = 8$  to  $120$  MHz,  $PCLKB = 8$  to  $60$  MHz,  $T_a = T_{opr}$

Item		Symbol	Min.*1	Max.	Unit	Test Conditions
RIIC (Standard-mode, SMBus) ICFER.FMPE = 0	SCL input cycle time	$t_{SCL}$	$6(12) \times t_{IICcyc} + 1300$	—	ns	Figure 2.85
	SCL input high pulse width	$t_{SCLH}$	$3(6) \times t_{IICcyc} + 300$	—	ns	
	SCL input low pulse width	$t_{SCLL}$	$3(6) \times t_{IICcyc} + 300$	—	ns	
	SCL, SDA input rise time	$t_{Sr}$	—	1000	ns	
	SCL, SDA input fall time	$t_{Sf}$	—	300	ns	
	SCL, SDA input spike pulse removal time	$t_{SP}$	0	$1(4) \times t_{IICcyc}$	ns	
	SDA input bus free time	$t_{BUF}$	$3(6) \times t_{IICcyc} + 300$	—	ns	
	START condition input hold time	$t_{STAH}$	$t_{IICcyc} + 300$	—	ns	
	Repeated START condition input setup time	$t_{STAS}$	1000	—	ns	
	STOP condition input setup time	$t_{STOS}$	1000	—	ns	
	Data input setup time	$t_{SDAS}$	$t_{IICcyc} + 50$	—	ns	
	Data input hold time	$t_{SDAH}$	0	—	ns	
	SCL, SDA capacitive load	$C_b^{*2}$	—	400	pF	
	RIIC (Fast-mode) ICFER.FMPE = 0	SCL input cycle time	$t_{SCL}$	$6(12) \times t_{IICcyc} + 600$	—	
SCL input high pulse width		$t_{SCLH}$	$3(6) \times t_{IICcyc} + 300$	—	ns	
SCL input low pulse width		$t_{SCLL}$	$3(6) \times t_{IICcyc} + 300$	—	ns	
SCL, SDA input rise time		$t_{Sr}$	$20 \times (\text{External pull-up voltage}/5.5V)$	300	ns	
SCL, SDA input fall time		$t_{Sf}$	$20 \times (\text{External pull-up voltage}/5.5V)$	300	ns	
SCL, SDA input spike pulse removal time		$t_{SP}$	0	$1(4) \times t_{IICcyc}$	ns	
SDA input bus free time		$t_{BUF}$	$3(6) \times t_{IICcyc} + 300$	—	ns	
START condition input hold time		$t_{STAH}$	$t_{IICcyc} + 300$	—	ns	
Repeated START condition input setup time		$t_{STAS}$	300	—	ns	
STOP condition input setup time		$t_{STOS}$	300	—	ns	
Data input setup time		$t_{SDAS}$	$t_{IICcyc} + 50$	—	ns	
Data input hold time		$t_{SDAH}$	0	—	ns	
SCL, SDA capacitive load		$C_b^{*2}$	—	400	pF	

Note:  $t_{IICcyc}$ : RIIC internal reference clock (IIC $\phi$ ) cycle

Note 1. The value within parentheses is applicable when the value of the ICMR3.NF[1:0] bits is 11b while the digital filter is enabled by the setting ICFER.NFE = 1.

Note 2.  $C_b$  is the total capacitance of the bus lines.

**Table 2.47 RIIC Timing (2)**

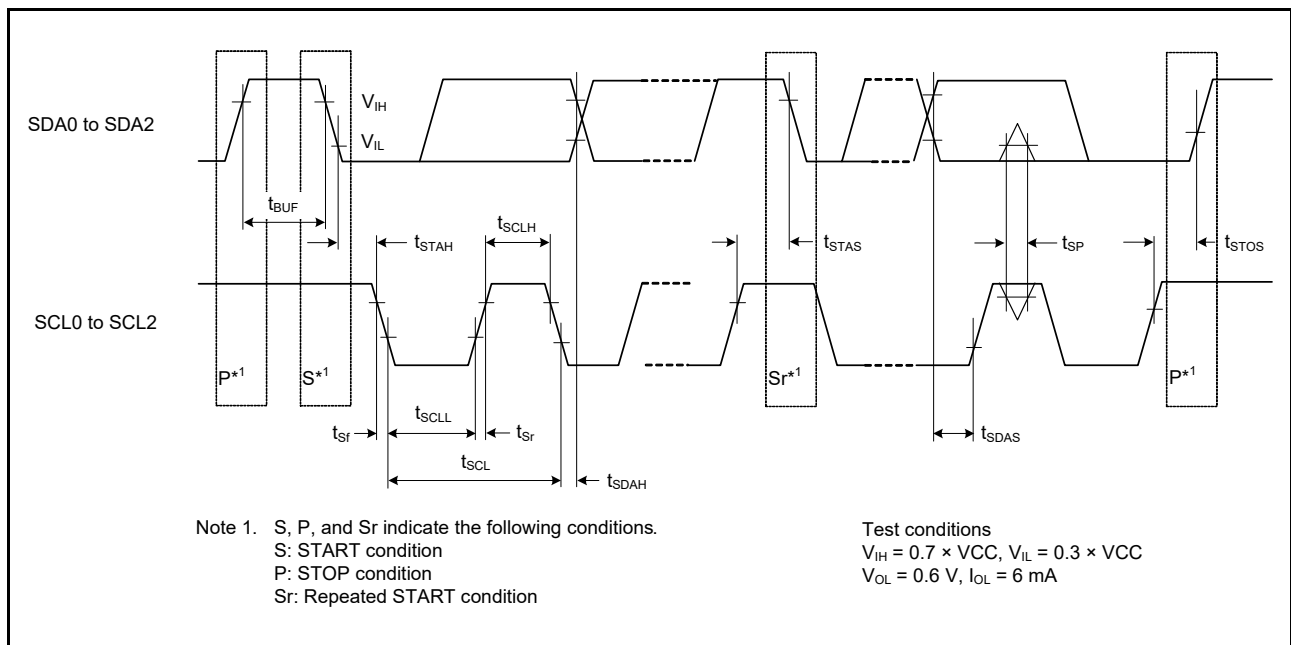
Conditions:  $V_{CC} = AVCC0 = AVCC1 = V_{CC\_USB} = V_{BATT} = 2.7$  to  $3.6$  V,  $2.7$  V  $\leq V_{REFH0} \leq AVCC0$ ,  
 $V_{SS} = AVSS0 = AVSS1 = V_{REFL0} = V_{SS\_USB} = 0$  V,  
 $PCLKA = 8$  to  $120$  MHz,  $PCLKB = 8$  to  $60$  MHz,  $T_a = T_{opr}$

Item	Symbol	Min.*1	Max.	Unit	Test Conditions	
RIIC (Fast-mode+) ICFER.FMPE = 1	SCL input cycle time	$t_{SCL}$	$6(12) \times t_{IICcyc} + 240$	—	ns	Figure 2.85
	SCL input high pulse width	$t_{SCLH}$	$3(6) \times t_{IICcyc} + 120$	—	ns	
	SCL input low pulse width	$t_{SCLL}$	$3(6) \times t_{IICcyc} + 120$	—	ns	
	SCL, SDA input rise time	$t_{Sr}$	—	120	ns	
	SCL, SDA input fall time	$t_{Sf}$	—	120	ns	
	SCL, SDA input spike pulse removal time	$t_{SP}$	0	$1(4) \times t_{IICcyc}$	ns	
	SDA input bus free time	$t_{BUF}$	$3(6) \times t_{IICcyc} + 120$	—	ns	
	START condition input hold time	$t_{STAH}$	$t_{IICcyc} + 120$	—	ns	
	Repeated START condition input setup time	$t_{STAS}$	120	—	ns	
	STOP condition input setup time	$t_{STOS}$	120	—	ns	
	Data input setup time	$t_{SDAS}$	$t_{IICcyc} + 20$	—	ns	
	Data input hold time	$t_{SDAH}$	0	—	ns	
	SCL, SDA capacitive load	$C_b^{*2}$	—	550	pF	

Note:  $t_{IICcyc}$ : RIIC internal reference clock (IIC $\phi$ ) cycle

Note 1. The value within parentheses is applicable when the value of the ICMR3.NF[1:0] bits is 11b while the digital filter is enabled by the setting ICFER.NFE = 1.

Note 2.  $C_b$  is the total capacitance of the bus lines.



**Figure 2.85 RIIC Bus Interface Input/Output Timing**

## 2.4.7.16 RIICHS

**Table 2.48 RIICHS Timing (1)**

Conditions: VCC = AVCC0 = AVCC1 = VCC\_USB = V<sub>BATT</sub> = 2.7 to 3.6 V, 2.7 V ≤ VREFH0 ≤ AVCC0,  
VSS = AVSS0 = AVSS1 = VREFL0 = VSS\_USB = 0 V,  
PCLKA = 8 to 120 MHz, PCLKB = 8 to 60 MHz, T<sub>a</sub> = T<sub>opr</sub>

Item		Symbol	Min.*1	Max.	Unit	Test Conditions
RIICHS (Standard-mode, SMBus) ICFER.FMPE = 0	SCLHS input cycle time	t <sub>SCL</sub>	10(18) × t <sub>IIcCyc</sub> + 1300	—	ns	Figure 2.86
	SCLHS input high pulse width	t <sub>SCLH</sub>	5(9) × t <sub>IIcCyc</sub> + 300	—	ns	
	SCLHS input low pulse width	t <sub>SCLL</sub>	5(9) × t <sub>IIcCyc</sub> + 300	—	ns	
	SCLHS, SDAHS input rise time	t <sub>Sr</sub>	—	1000	ns	
	SCLHS, SDAHS input fall time	t <sub>Sf</sub>	—	300	ns	
	SCLHS, SDAHS input spike pulse removal time	t <sub>SP</sub>	0	1(4) × t <sub>IIcCyc</sub>	ns	
	SDAHS input bus free time	t <sub>BUF</sub>	5(9) × t <sub>IIcCyc</sub> + 300	—	ns	
	START condition input hold time	t <sub>STAH</sub>	t <sub>IIcCyc</sub> + 300	—	ns	
	Repeated START condition input setup time	t <sub>STAS</sub>	1000	—	ns	
	STOP condition input setup time	t <sub>STOS</sub>	1000	—	ns	
	Data input setup time	t <sub>SDAS</sub>	t <sub>IIcCyc</sub> + 50	—	ns	
	Data input hold time	t <sub>SDAH</sub>	0	—	ns	
	SCLHS, SDAHS capacitive load	C <sub>b</sub> *2	—	400	pF	
	RIICHS (Fast-mode) ICFER.FMPE = 0	SCLHS input cycle time	t <sub>SCL</sub>	10(18) × t <sub>IIcCyc</sub> + 600	—	
SCLHS input high pulse width		t <sub>SCLH</sub>	5(9) × t <sub>IIcCyc</sub> + 300	—	ns	
SCLHS input low pulse width		t <sub>SCLL</sub>	5(9) × t <sub>IIcCyc</sub> + 300	—	ns	
SCLHS, SDAHS input rise time		t <sub>Sr</sub>	20 × (External pull-up voltage/5.5V)	300	ns	
SCLHS, SDAHS input fall time		t <sub>Sf</sub>	20 × (External pull-up voltage/5.5V)	300	ns	
SCLHS, SDAHS input spike pulse removal time		t <sub>SP</sub>	0	1(4) × t <sub>IIcCyc</sub>	ns	
SDAHS input bus free time		t <sub>BUF</sub>	5(9) × t <sub>IIcCyc</sub> + 300	—	ns	
START condition input hold time		t <sub>STAH</sub>	t <sub>IIcCyc</sub> + 300	—	ns	
Repeated START condition input setup time		t <sub>STAS</sub>	300	—	ns	
STOP condition input setup time		t <sub>STOS</sub>	300	—	ns	
Data input setup time		t <sub>SDAS</sub>	t <sub>IIcCyc</sub> + 50	—	ns	
Data input hold time		t <sub>SDAH</sub>	0	—	ns	
SCLHS, SDAHS capacitive load		C <sub>b</sub> *2	—	400	pF	
RIICHS (Fast-mode+) ICFER.FMPE = 1		SCLHS input cycle time	t <sub>SCL</sub>	10(18) × t <sub>IIcCyc</sub> + 240	—	ns
	SCLHS input high pulse width	t <sub>SCLH</sub>	5(9) × t <sub>IIcCyc</sub> + 120	—	ns	
	SCLHS input low pulse width	t <sub>SCLL</sub>	5(9) × t <sub>IIcCyc</sub> + 120	—	ns	
	SCLHS, SDAHS input rise time	t <sub>Sr</sub>	—	120	ns	
	SCLHS, SDAHS input fall time	t <sub>Sf</sub>	—	120	ns	
	SCLHS, SDAHS input spike pulse removal time	t <sub>SP</sub>	0	1(4) × t <sub>IIcCyc</sub>	ns	
	SDAHS input bus free time	t <sub>BUF</sub>	5(9) × t <sub>IIcCyc</sub> + 120	—	ns	
	START condition input hold time	t <sub>STAH</sub>	t <sub>IIcCyc</sub> + 120	—	ns	
	Repeated START condition input setup time	t <sub>STAS</sub>	120	—	ns	
	STOP condition input setup time	t <sub>STOS</sub>	120	—	ns	
	Data input setup time	t <sub>SDAS</sub>	t <sub>IIcCyc</sub> + 20	—	ns	
	Data input hold time	t <sub>SDAH</sub>	0	—	ns	
	SCLHS, SDAHS capacitive load	C <sub>b</sub> *2	—	550	pF	



Note:  $t_{IIcCyc}$ : RIICHS internal reference clock (IIC $\phi$ ) cycle

Note 1. The value within parentheses is applicable when the value of the ICICR.NF[3:0] bits is 0011b while the digital filter is enabled by the setting ICICR.NFE = 1.

Note 2.  $C_b$  is the total capacitance of the bus lines.

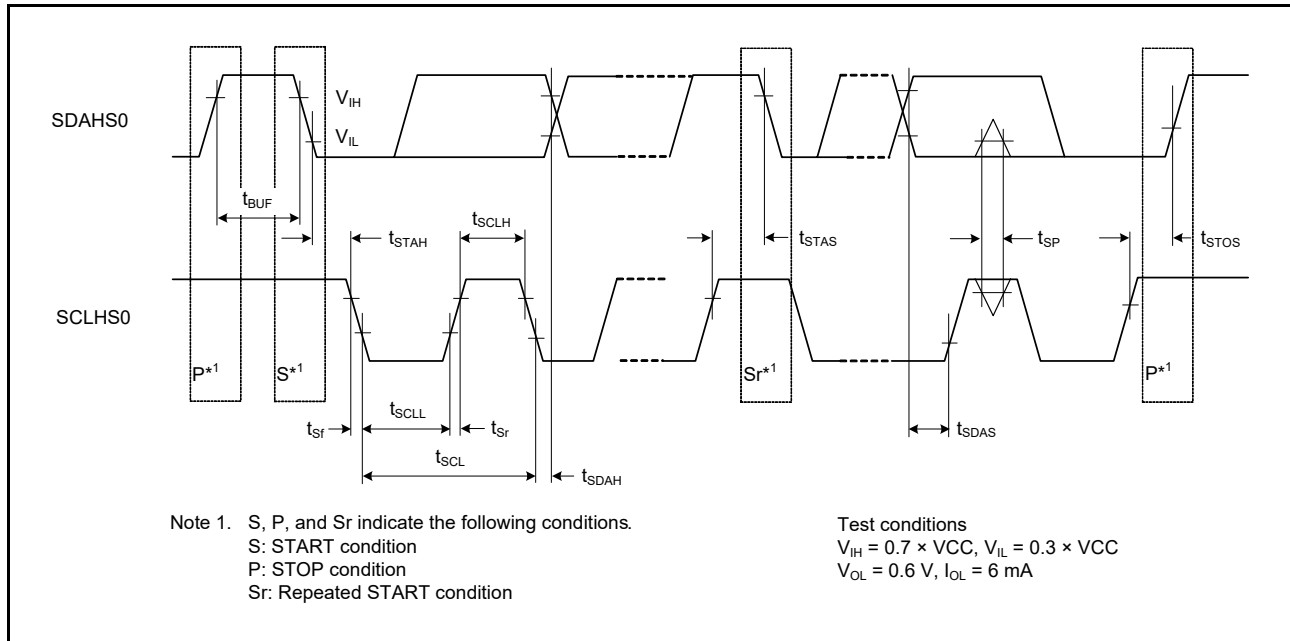


Figure 2.86 RIICHS Bus Interface Input/Output Timing

Table 2.49 RIICHS Timing (2) (1/2)

Conditions:  $V_{CC} = AV_{CC0} = AV_{CC1} = V_{CC\_USB} = V_{BATT} = 2.7$  to  $3.6$  V,  $2.7$  V  $\leq V_{REFH0} \leq AV_{CC0}$ ,  
 $V_{SS} = AV_{SS0} = AV_{SS1} = V_{REFL0} = V_{SS\_USB} = 0$  V,  
 $PCLKA = 8$  to  $120$  MHz,  $PCLKB = 8$  to  $60$  MHz,  $T_a = T_{opr}$

Item	Symbol	Min.*1	Typ.	Max.	Unit	Test Conditions	
RIICHS (Hs-mode) ICFER.HSME = 1	SCLHS input cycle time	$t_{SCL}$	$10(12) \times t_{IIcCyc} + 80$	—	—	ns	Figure 2.87
	SCLHS input high pulse width	$t_{SCLH}$	$5(6) \times t_{IIcCyc}$	—	—	ns	
	SCLHS input low pulse width	$t_{SCLL}$	$5(6) \times t_{IIcCyc}$	—	—	ns	
	SCLHS input rise time	$t_{SrCL}$	$C_b = 400$ pF	—	—	80	ns
			$C_b = 100$ pF	—	—	40	
	SDAHS input rise time	$t_{SrDA}$	$C_b = 400$ pF	—	—	160	ns
			$C_b = 100$ pF	—	—	80	
	SCLHS input fall time	$t_{SrCL}$	$C_b = 400$ pF	—	—	80	ns
			$C_b = 100$ pF	—	—	40	
	SDAHS input fall time	$t_{SrDA}$	$C_b = 400$ pF	—	—	160	ns
			$C_b = 100$ pF	—	—	80	
	SCLHS, SDAHS input spike pulse removal time	$t_{SP}$	0	—	$1(1) \times t_{IIcCyc}$	ns	Figure 2.86
	SDAHS input bus free time	$t_{BUF}$	$5(6) \times t_{IIcCyc} + 40$	—	—	ns	
	START condition input hold time	$t_{STA H}$	$t_{IIcCyc} + 40$	—	—	ns	Figure 2.87
	Repeated START condition input setup time	$t_{STA S}$	40	—	—	ns	
	STOP condition input setup time	$t_{STA OS}$	40	—	—	ns	
	Data input setup time	$t_{SDA S}$	10	—	—	ns	
	Data input hold time	$t_{SDA H}$	$C_b = 400$ pF	0	—	150	ns
			$C_b = 100$ pF	0	—	70	
	SCLHS, SDAHS capacitive load	$C_b^{*2}$	—	—	400	pF	

**Table 2.49 RIICHS Timing (2) (2/2)**

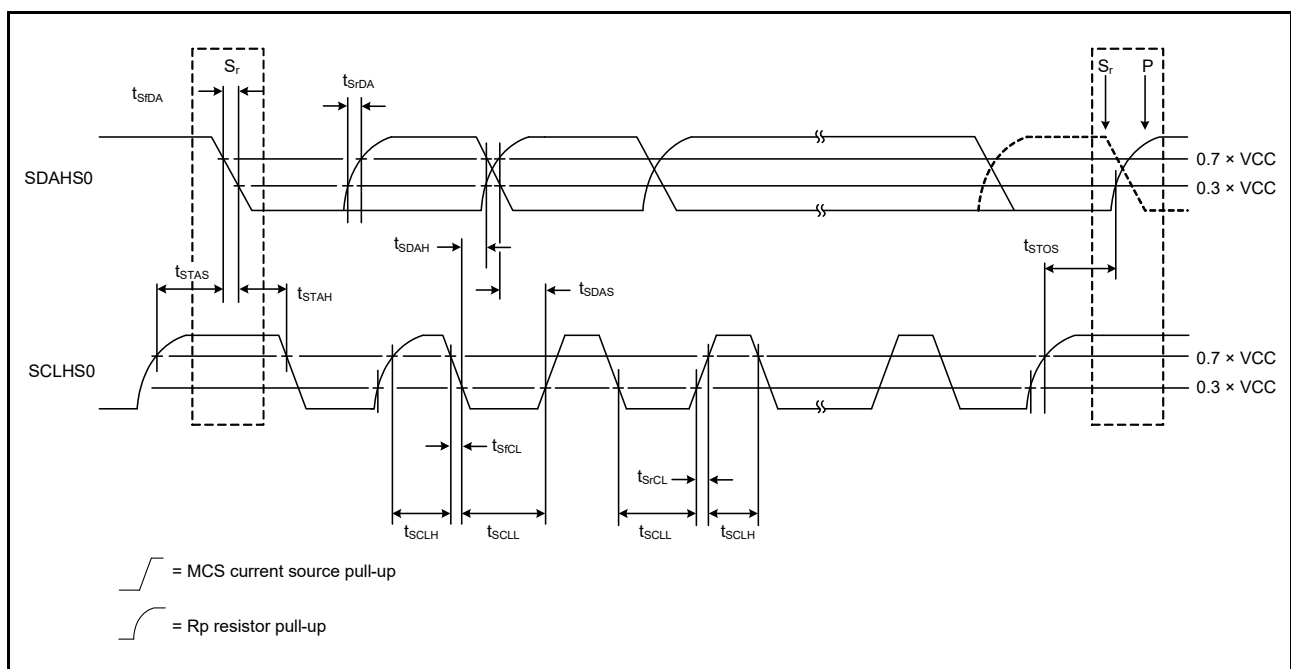
Conditions:  $V_{CC} = AV_{CC0} = AV_{CC1} = V_{CC\_USB} = V_{BATT} = 2.7$  to  $3.6$  V,  $2.7$  V  $\leq V_{REFH0} \leq AV_{CC0}$ ,  
 $V_{SS} = AV_{SS0} = AV_{SS1} = V_{REFL0} = V_{SS\_USB} = 0$  V,  
 $PCLKA = 8$  to  $120$  MHz,  $PCLKB = 8$  to  $60$  MHz,  $T_a = T_{opr}$

Item		Symbol	Min.*1	Typ.	Max.	Unit	Test Conditions
RIICHS (Hs-mode) ICFER.HSME = 1	SCLHS output minimum high pulse width	$C_b = 400$ pF	—	120	233	ns	Figure 2.87
		$C_b = 100$ pF	—	60	150		
	SCLHS output minimum low pulse width	$C_b = 400$ pF	—	—	320	ns	
		$C_b = 100$ pF	—	—	160		

Note:  $t_{IICcyc}$ : RIICHS internal reference clock (IIC $\phi$ ) cycle

Note 1. The value within parentheses is applicable when the value of the ICICR.NF[3:0] bits is 0011b while the digital filter is enabled by the setting ICICR.NFE = 1. Note that, in Hs-mode, the lower-order 2 bits of the NF[3:0] bits are ignored and the number of stages in the digital filter is single.

Note 2.  $C_b$  is the total capacitance of the bus lines.



**Figure 2.87 RIICHS Bus Interface Input/Output Timing (Hs-mode)**

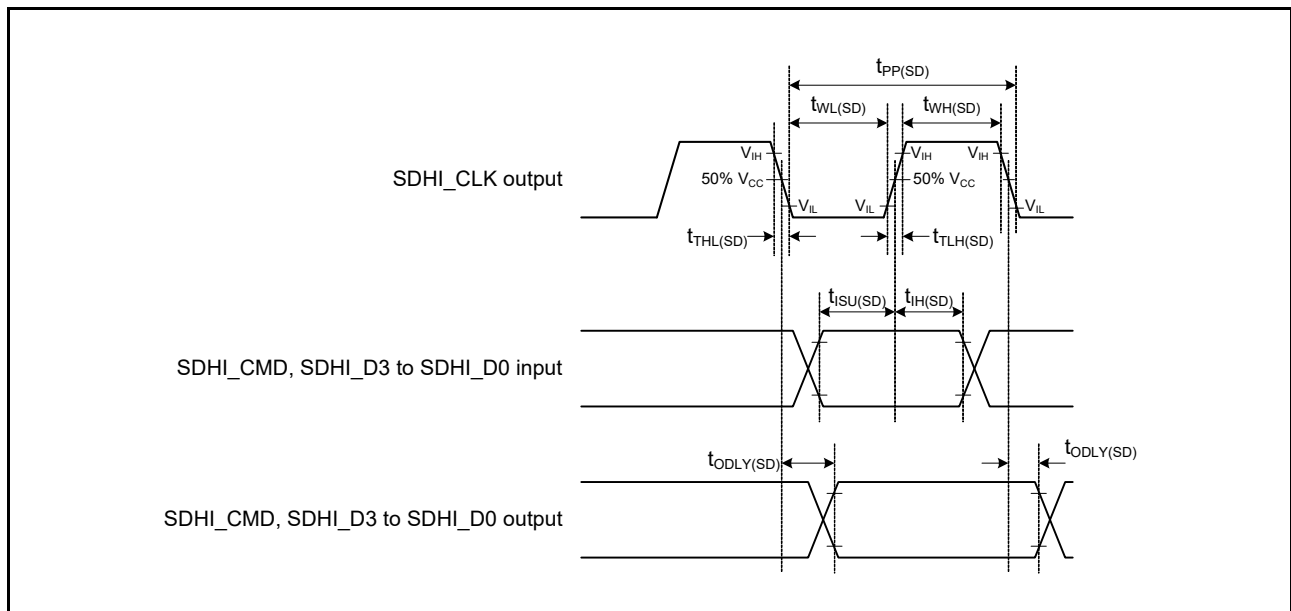
2.4.7.17 SDHI

**Table 2.50 SDHI Timing**

Conditions:  $V_{CC} = AVCC0 = AVCC1 = V_{CC\_USB} = V_{BATT} = 2.7$  to  $3.6$  V,  $2.7$  V  $\leq$   $V_{REFH0} \leq AVCC0$ ,  
 $V_{SS} = AVSS0 = AVSS1 = V_{REFL0} = V_{SS\_USB} = 0$  V,  
 $PCLKA = 8$  to  $120$  MHz,  $PCLKB = 8$  to  $60$  MHz,  $T_a = T_{opr}$ ,  
 Output load conditions:  $V_{OH} = 0.5 \times V_{CC}$ ,  $V_{OL} = 0.5 \times V_{CC}$ ,  $C = 30$  pF,  
 High-drive output is selected by the drive capacity control register.

Item	Symbol	Min.	Max.	Unit	Test Conditions*1	
SDHI	SDHI_CLK pin output cycle time	$t_{PP(SD)}$	20	—	ns	Figure 2.88
	SDHI_CLK pin output high pulse width	$t_{WH(SD)}$	$0.4 \times t_{PP(SD)}$	—	ns	
	SDHI_CLK pin output low pulse width	$t_{WL(SD)}$	$0.4 \times t_{PP(SD)}$	—	ns	
	SDHI_CLK pin output rise time	$t_{TLH(SD)}$	—	3	ns	
	SDHI_CLK pin output fall time	$t_{THL(SD)}$	—	3	ns	
	Output data delay time (data transfer mode) for SDHI_CMD and SDHI_D0 to SDHI_D3 pins	$t_{ODLY(SD)}$	-6.5	4	ns	
	Input data setup time for SDHI_CMD and SDHI_D0 to SDHI_D3 pins	$t_{ISU(SD)}$	6	—	ns	
	Input data hold time for SDHI_CMD and SDHI_D0 to SDHI_D3 pins	$t_{IH(SD)}$	2	—	ns	

Note 1. When a letter “-A”, “-B”, etc. to indicate group membership is appended to the pin name, each pin is recommended to use in combination with the pins in the same group. All SDHI AC timings are measured in combination with the pins in the same group.



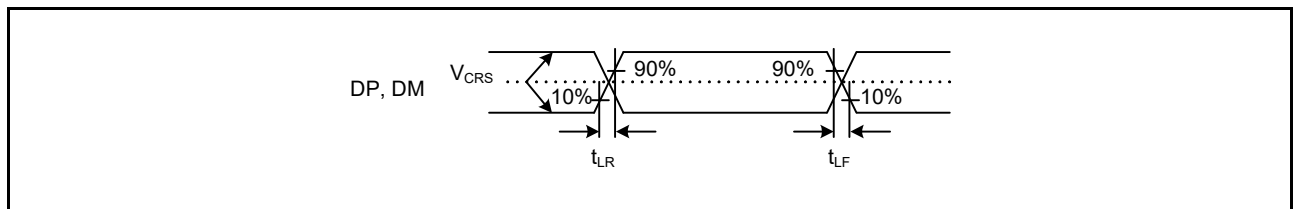
**Figure 2.88 SD Host Interface Input/Output Signal Timing**

2.5 USB Characteristics

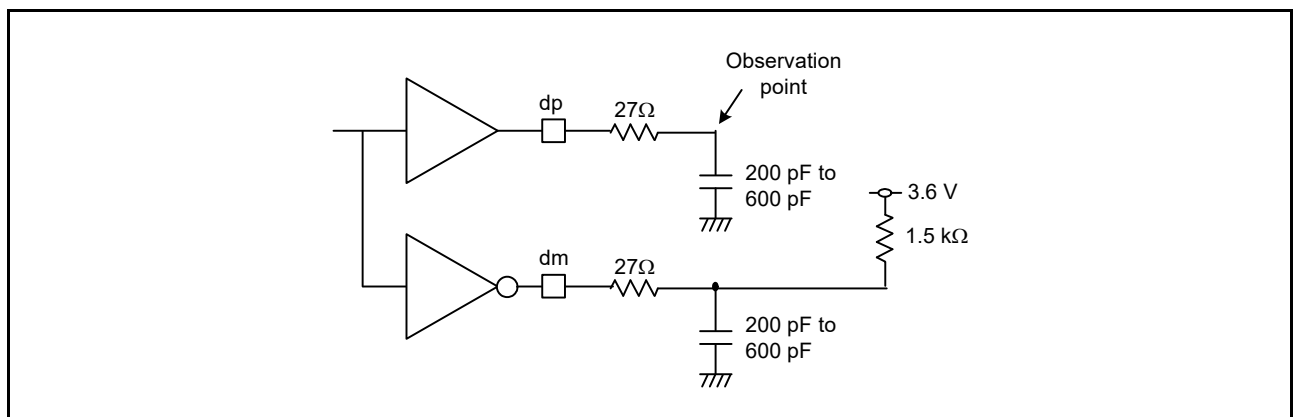
**Table 2.51 On-Chip USB Low Speed (Host Only) Characteristics (DP and DM Pin Characteristics)**

Conditions:  $V_{CC} = AV_{CC0} = AV_{CC1} = V_{CC\_USB} = V_{BATT} = 3.0$  to  $3.6$  V,  $3.0$  V  $\leq V_{REFH0} \leq AV_{CC0}$ ,  
 $V_{SS} = AV_{SS0} = AV_{SS1} = V_{REFL0} = V_{SS\_USB} = 0$  V,  
 $U_{CLK} = 48$  MHz,  
 $P_{CLKA} = 8$  to  $120$  MHz,  $P_{CLKB} = 8$  to  $60$  MHz,  $T_a = T_{opr}$

Item	Symbol	Min.	Typ.	Max.	Unit	Test Conditions	
Input characteristics	Input high level voltage	$V_{IH}$	2.0	—	—	V	
	Input low level voltage	$V_{IL}$	—	—	0.8	V	
	Differential input sensitivity	$V_{DI}$	0.2	—	—	V	DP – DM
	Differential common mode range	$V_{CM}$	0.8	—	2.5	V	
Output characteristics	Output high level voltage	$V_{OH}$	2.8	—	3.6	V	$I_{OH} = -200 \mu A$
	Output low level voltage	$V_{OL}$	0.0	—	0.3	V	$I_{OL} = 2$ mA
	Cross-over voltage	$V_{CRS}$	1.3	—	2.0	V	Figure 2.89
	Rise time	$t_{LR}$	75	—	300	ns	
	Fall time	$t_{LF}$	75	—	300	ns	
	Rise/fall time ratio	$t_{LR} / t_{LF}$	80	—	125	%	$t_{LR} / t_{LF}$
Pull-down characteristics	DP/DM pull-down resistance (when the host controller function is selected)	$R_{pd}$	14.25	—	24.80	k $\Omega$	



**Figure 2.89 DP and DM Output Timing (Low Speed)**

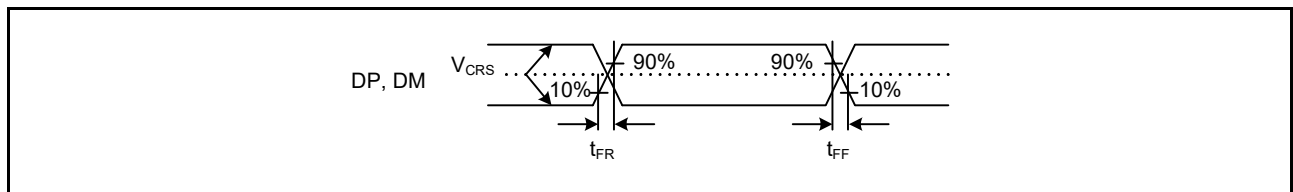


**Figure 2.90 Test Circuit (Low Speed)**

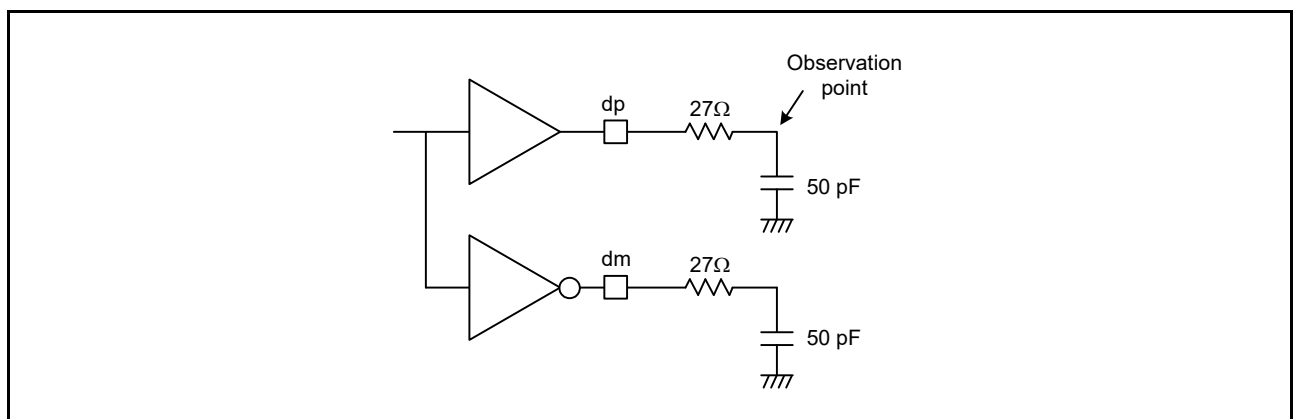
**Table 2.52 On-Chip USB Full-Speed Characteristics (DP and DM Pin Characteristics)**

Conditions:  $V_{CC} = AV_{CC0} = AV_{CC1} = V_{CC\_USB} = V_{BATT} = 3.0$  to  $3.6$  V,  $3.0$  V  $\leq V_{REFH0} \leq AV_{CC0}$ ,  
 $V_{SS} = AV_{SS0} = AV_{SS1} = V_{REFL0} = V_{SS\_USB} = 0$  V,  
 $U_{CLK} = 48$  MHz,  
 $P_{CLKA} = 8$  to  $120$  MHz,  $P_{CLKB} = 8$  to  $60$  MHz,  $T_a = T_{opr}$

Item	Symbol	Min.	Typ.	Max.	Unit	Test Conditions	
Input characteristics	Input high level voltage	$V_{IH}$	2.0	—	—	V	
	Input low level voltage	$V_{IL}$	—	—	0.8	V	
	Differential input sensitivity	$V_{DI}$	0.2	—	—	V	DP – DM
	Differential common mode range	$V_{CM}$	0.8	—	2.5	V	
Output characteristics	Output high level voltage	$V_{OH}$	2.8	—	3.6	V	$I_{OH} = -200$ $\mu$ A
	Output low level voltage	$V_{OL}$	0.0	—	0.3	V	$I_{OL} = 2$ mA
	Cross-over voltage	$V_{CRS}$	1.3	—	2.0	V	Figure 2.91
	Rise time	$t_{FR}$	4	—	20	ns	
	Fall time	$t_{FF}$	4	—	20	ns	
	Rise/fall time ratio	$t_{FR} / t_{FF}$	90	—	111.11	%	$t_{FR} / t_{FF}$
	Output resistance	$Z_{DRV}$	28	—	44	$\Omega$	$R_s = 27$ $\Omega$ included
Pull-up and pull-down characteristics	DP pull-up resistance (when the function controller function is selected)	$R_{pu}$	0.900	—	1.575	k $\Omega$	Idle state
			1.425	—	3.090	k $\Omega$	At transmission and reception
	DP/DM pull-down resistance (when the host controller function is selected)	$R_{pd}$	14.25	—	24.80	k $\Omega$	



**Figure 2.91 DP and DM Output Timing (Full-Speed)**



**Figure 2.92 Test Circuit (Full-Speed)**

## 2.6 A/D Conversion Characteristics

**Table 2.53 12-Bit A/D (Unit 0) Conversion Characteristics**

Conditions:  $V_{CC} = AVCC0 = AVCC1 = V_{CC\_USB} = V_{BATT} = 2.7$  to  $3.6$  V,  $2.7$  V  $\leq V_{REFH0} \leq AVCC0$ ,  
 $V_{SS} = AVSS0 = AVSS1 = V_{REFL0} = V_{SS\_USB} = 0$  V,  
 $PCLKB = PCLKC = 1$  MHz to  $60$  MHz,  $T_a = T_{opr}$ ,  
 Source impedance =  $1.0$  k $\Omega$

Item	Min.	Typ.	Max.	Unit	Test Conditions
Resolution	8	—	12	Bit	
Analog input capacitance	—	—	30	pF	
Conversion time*1 (Operation at PCLKC = 60 MHz)	0.48 (0.267)*2	—	—	$\mu$ s	Sampling in 16 states
Offset error	—	$\pm 1.0$	$\pm 2.5$	LSB	
Full-scale error	—	$\pm 1.0$	$\pm 2.5$	LSB	
Quantization error	—	$\pm 0.5$	—	LSB	
Absolute accuracy	—	$\pm 2.5$	$\pm 4.5$	LSB	
DNL differential nonlinearity error	—	$\pm 0.5$	$\pm 1.5$	LSB	
INL integral nonlinearity error	—	$\pm 1.0$	$\pm 2.5$	LSB	

Note: The above specification values apply when there is no access to the external bus during A/D conversion. If access proceeds during A/D conversion, values may not fall within the above ranges.

Note 1. The conversion time includes the sampling time and the comparison time. As the test conditions, the number of sampling states is indicated.

Note 2. The value in parentheses indicates the sampling time.

**Table 2.54 12-Bit A/D (Unit 1) Conversion Characteristics**

Conditions:  $V_{CC} = AVCC0 = AVCC1 = V_{CC\_USB} = V_{BATT} = 2.7$  to  $3.6$  V,  $2.7$  V  $\leq V_{REFH0} \leq AVCC0$ ,  
 $V_{SS} = AVSS0 = AVSS1 = V_{REFL0} = V_{SS\_USB} = 0$  V,  
 $PCLKB = PCLKD = 1$  MHz to  $60$  MHz,  $T_a = T_{opr}$ ,  
 Source impedance =  $1.0$  k $\Omega$

Item	Min.	Typ.	Max.	Unit	Test Conditions
Resolution	8	—	12	Bit	
Conversion time*1 (Operation at PCLKD = 60 MHz)	0.88 (0.633)*2	—	—	$\mu$ s	Sampling in 38 states (ADSAM.SAM = 1)
Conversion time*1 (Operation at PCLKD = 30 MHz)	1 (0.500)*2	—	—	$\mu$ s	Sampling in 15 states (ADSAM.SAM = 1)
Analog input capacitance	—	—	30	pF	
Offset error	—	$\pm 2.0$	$\pm 3.5$	LSB	
Full-scale error	—	$\pm 2.0$	$\pm 3.5$	LSB	
Quantization error	—	$\pm 0.5$	—	LSB	
Absolute accuracy	—	$\pm 4.0$	$\pm 6.0$	LSB	
DNL differential nonlinearity error (Operation at PCLKD = 60 MHz)	—	$\pm 1.5$	$\pm 4.0$	LSB	
DNL differential nonlinearity error (Operation at PCLKD = 30 MHz)	—	$\pm 1.5$	$\pm 2.5$	LSB	
INL integral nonlinearity error (Operation at PCLKD = 60 MHz)	—	$\pm 2.0$	$\pm 4.0$	LSB	
INL integral nonlinearity error (Operation at PCLKD = 30 MHz)	—	$\pm 2.0$	$\pm 3.5$	LSB	

Note: The above specification values apply when there is no access to the external bus during A/D conversion. If access proceeds during A/D conversion, values may not fall within the above ranges.

Note 1. The conversion time includes the sampling time and the comparison time. As the test conditions, the number of sampling states is indicated.

Note 2. The value in parentheses indicates the sampling time.

**Table 2.55 A/D Internal Reference Voltage Characteristics**

Conditions:  $VCC = AVCC0 = AVCC1 = VCC\_USB = V_{BATT} = 2.7$  to  $3.6$  V,  $2.7$  V  $\leq$   $VREFH0 \leq AVCC0$ ,  
 $VSS = AVSS0 = AVSS1 = VREFL0 = VSS\_USB = 0$  V,  
 $PCLKB = PCLKD = 60$  MHz,  $T_a = T_{opr}$

Item	Min.	Typ.	Max.	Unit	Test Conditions
A/D internal reference voltage	1.13	1.18	1.23	V	

## 2.7 Temperature Sensor Characteristics

**Table 2.56 Temperature Sensor Characteristics**

Conditions:  $VCC = AVCC0 = AVCC1 = VCC\_USB = V_{BATT} = 2.7$  to  $3.6$  V,  $2.7$  V  $\leq$   $VREFH0 \leq AVCC0$ ,  
 $VSS = AVSS0 = AVSS1 = VREFL0 = VSS\_USB = 0$  V,  
 $T_a = T_{opr}$

Item	Min.	Typ.	Max.	Unit	Test Conditions
Relative accuracy	—	$\pm 1$	—	$^{\circ}\text{C}$	
Temperature slope	—	4	—	mV/ $^{\circ}\text{C}$	
Output voltage	—	1.21	—	V	$T_a = 25^{\circ}\text{C}$
Temperature sensor start time	—	—	30	$\mu\text{s}$	
Sampling time*1	4.15	—	—	$\mu\text{s}$	

Note 1. Set the S12AD1.ADSSTRT register such that the sampling time of the 12-bit A/D converter satisfies this specification.

## 2.8 CTSU Characteristics

**Table 2.57 CTSU Characteristics**

Conditions:  $VCC = AVCC0 = AVCC1 = VCC\_USB = V_{BATT} = 2.7$  to  $3.6$  V,  $2.7$  V  $\leq$   $VREFH0 \leq AVCC0$ ,  
 $VSS = AVSS0 = AVSS1 = VREFL0 = VSS\_USB = 0$  V,  
 $T_a = T_{opr}$

Item	Symbol	Min.	Typ.	Max.	Unit	Test Conditions
External capacitance connected to TSCAP pin	$C_{Tscap}$	9	10	11	nF	
TS pin capacitive load	$C_{base}$	—	—	50	pF	
Total sum of the high-level output current*1	$\Sigma I_{OH}$	—	—	$-40^{*2}$	mA	The mutual capacitance method is in use.

Note 1. Total sum of  $I_{OH}$  of the pins other than TSCAP, and TS0 to TS16

Note 2. In the mutual capacitance method, when the amount of current output from the I/O pins other than those of the CTSU is relatively large, the VCC voltage largely drops, affecting measurement by the CTSU. Accordingly, the total sum of  $I_{OH}$  of the other pins should be no more than the listed value when the CTSU is in use.

## 2.9 Power-on Reset Circuit and Voltage Detection Circuit Characteristics

**Table 2.58 Power-on Reset Circuit and Voltage Detection Circuit Characteristics**

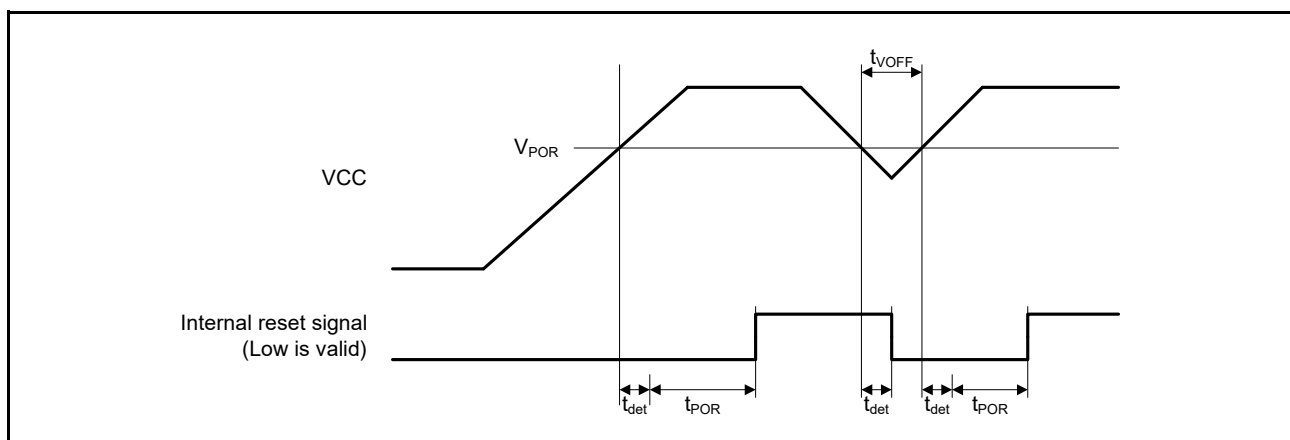
Conditions:  $V_{CC} = AV_{CC0} = AV_{CC1} = V_{CC\_USB} = V_{BATT} = 2.7$  to  $3.6$  V,  $2.7$  V  $\leq V_{REFH0} \leq AV_{CC0}$ ,  
 $V_{SS} = AV_{SS0} = AV_{SS1} = V_{REFL0} = V_{SS\_USB} = 0$  V,  
 $T_a = T_{opr}$

Item		Symbol	Min.	Typ.	Max.	Unit	Test Conditions	
Voltage detection level	Power-on reset (POR)	Low power consumption function disabled*1	$V_{POR}$	2.5	2.6	2.7	V	Figure 2.93
		Low power consumption function enabled*2		1.8	2.25	2.7		
	Voltage detection circuit (LVD0)		$V_{det0\_1}$	2.84	2.94	3.04		Figure 2.94
			$V_{det0\_2}$	2.77	2.87	2.97		
			$V_{det0\_3}$	2.70	2.80	2.90		
	Voltage detection circuit (LVD1)		$V_{det1\_1}$	2.89	2.99	3.09		Figure 2.95
			$V_{det1\_2}$	2.82	2.92	3.02		
			$V_{det1\_3}$	2.75	2.85	2.95		
	Voltage detection circuit (LVD2)		$V_{det2\_1}$	2.89	2.99	3.09		Figure 2.96
			$V_{det2\_2}$	2.82	2.92	3.02		
			$V_{det2\_3}$	2.75	2.85	2.95		
	Internal reset time	Power-on reset time	$t_{POR}$	—	4.6	—	ms	Figure 2.93
LVD0 reset time		$t_{LVD0}$	—	0.70	—	Figure 2.94		
LVD1 reset time		$t_{LVD1}$	—	0.57	—	Figure 2.95		
LVD2 reset time		$t_{LVD2}$	—	0.57	—	Figure 2.96		
Minimum VCC down time		$t_{VOFF}$	200	—	—	$\mu$ s	Figure 2.93, Figure 2.94	
Response delay time		$t_{det}$	—	—	200	$\mu$ s	Figure 2.93 to Figure 2.96	
LVD operation stabilization time (after LVD is enabled)		$t_{d(E-A)}$	—	—	10	$\mu$ s	Figure 2.95, Figure 2.96	
Hysteresis width (LVD1 and LVD2)		$V_{LVH}$	—	70	—	mV		

Note: The minimum VCC down time indicates the time when VCC is below the minimum value of voltage detection levels  $V_{POR}$ ,  $V_{det1}$ , and  $V_{det2}$  for the POR/ LVD.

Note 1. The low power consumption function is disabled and DEEPCUT[1:0] = 00b or 01b.

Note 2. The low power consumption function is enabled and DEEPCUT[1:0] = 11b.

**Figure 2.93 Power-on Reset Timing**



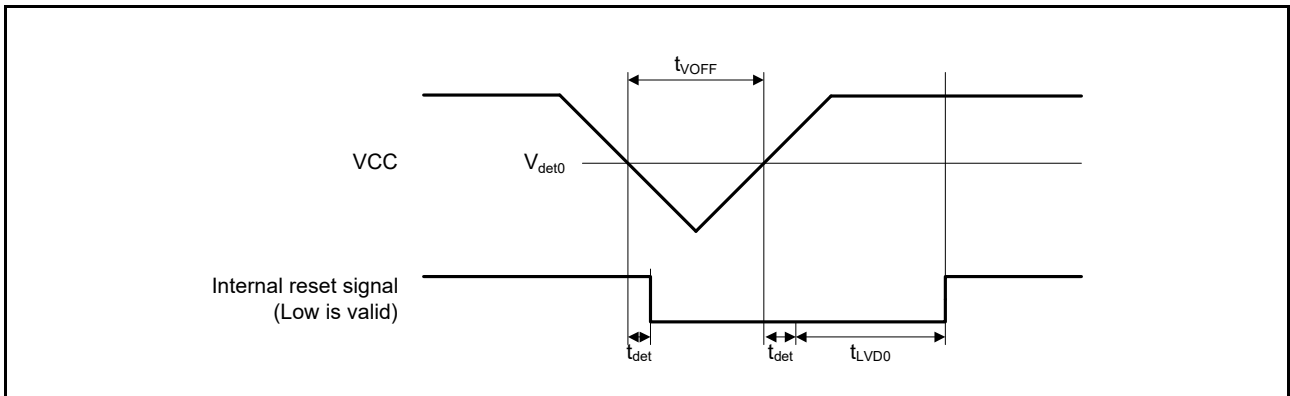


Figure 2.94 Voltage Detection Circuit Timing ( $V_{det0}$ )

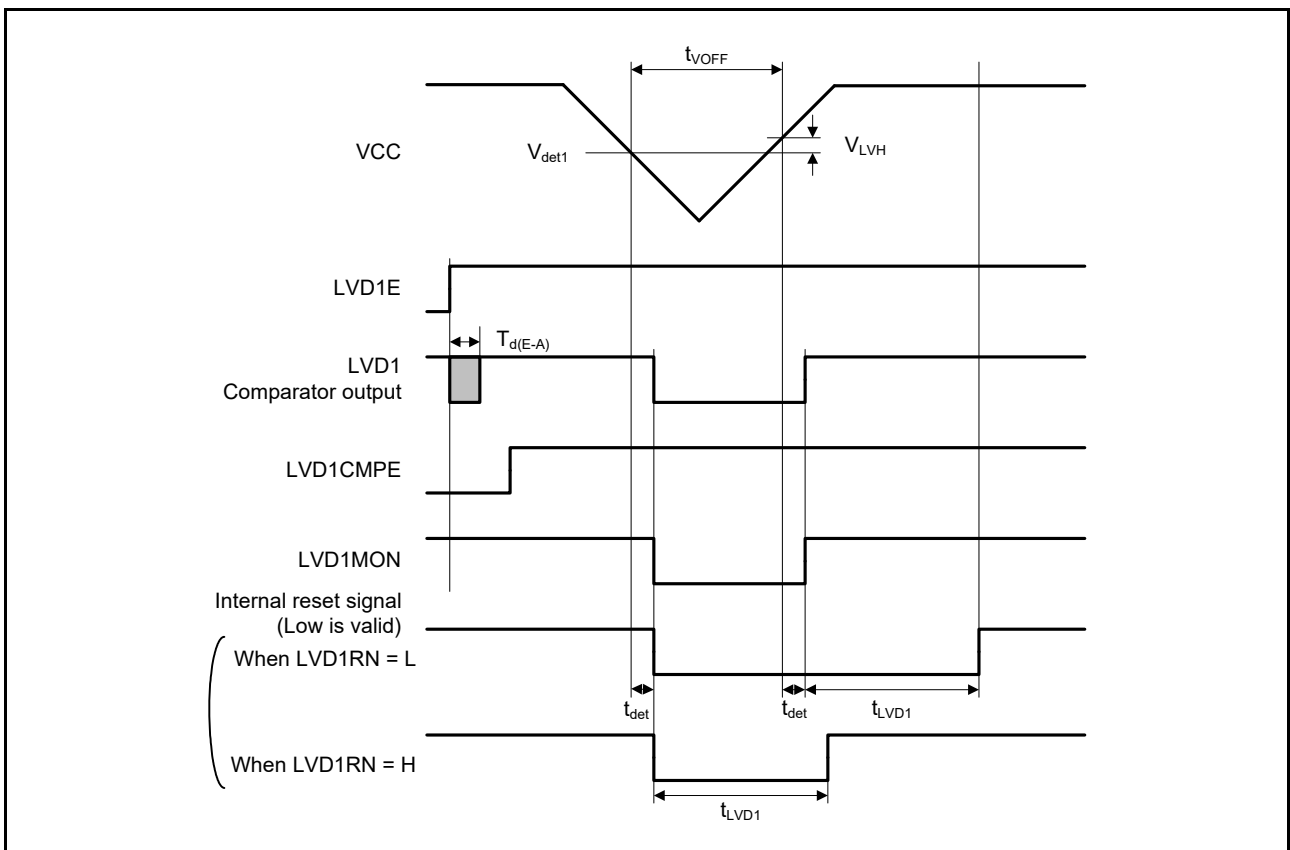


Figure 2.95 Voltage Detection Circuit Timing ( $V_{det1}$ )

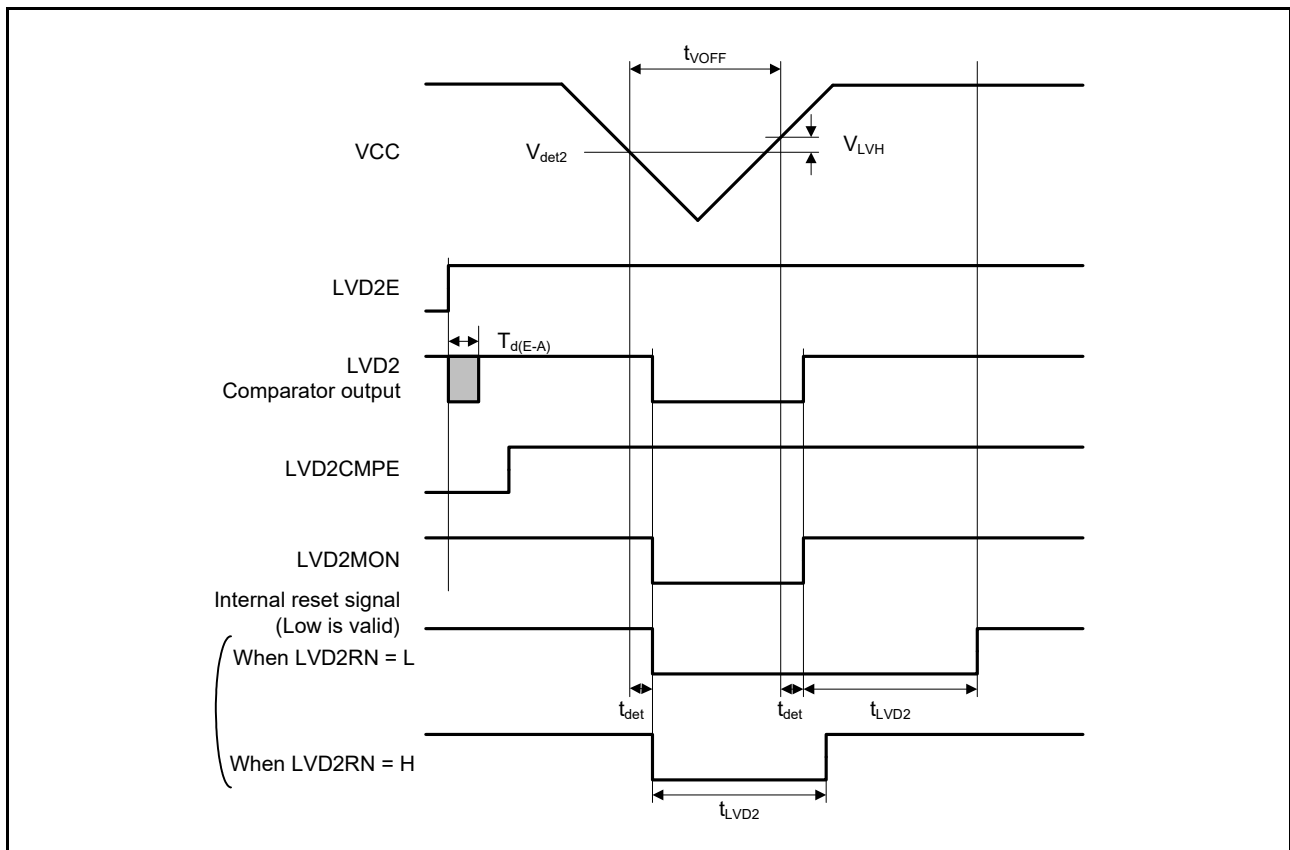


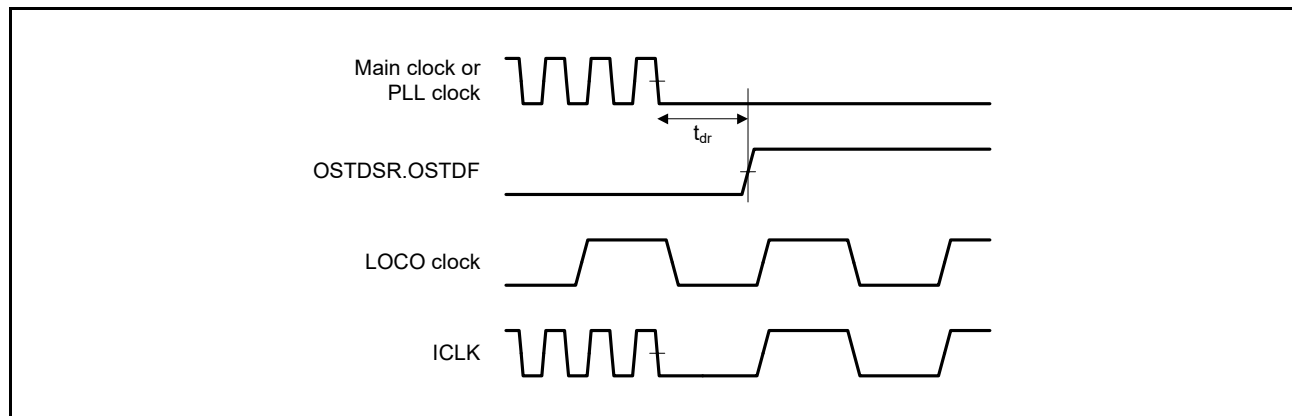
Figure 2.96 Voltage Detection Circuit Timing (V<sub>det2</sub>)

## 2.10 Oscillation Stop Detection Timing

**Table 2.59 Oscillation Stop Detection Circuit Characteristics**

Conditions:  $VCC = AVCC0 = AVCC1 = VCC\_USB = V_{BATT} = 2.7$  to  $3.6$  V,  $2.7$  V  $\leq$   $VREFH0 \leq AVCC0$ ,  
 $VSS = AVSS0 = AVSS1 = VREFL0 = VSS\_USB = 0$  V,  
 $T_a = T_{opr}$

Item	Symbol	Min.	Typ.	Max.	Unit	Test Conditions
Detection time	$t_{dr}$	—	—	1	ms	Figure 2.97

**Figure 2.97 Oscillation Stop Detection Timing**

### 2.11 Battery Backup Function Characteristics

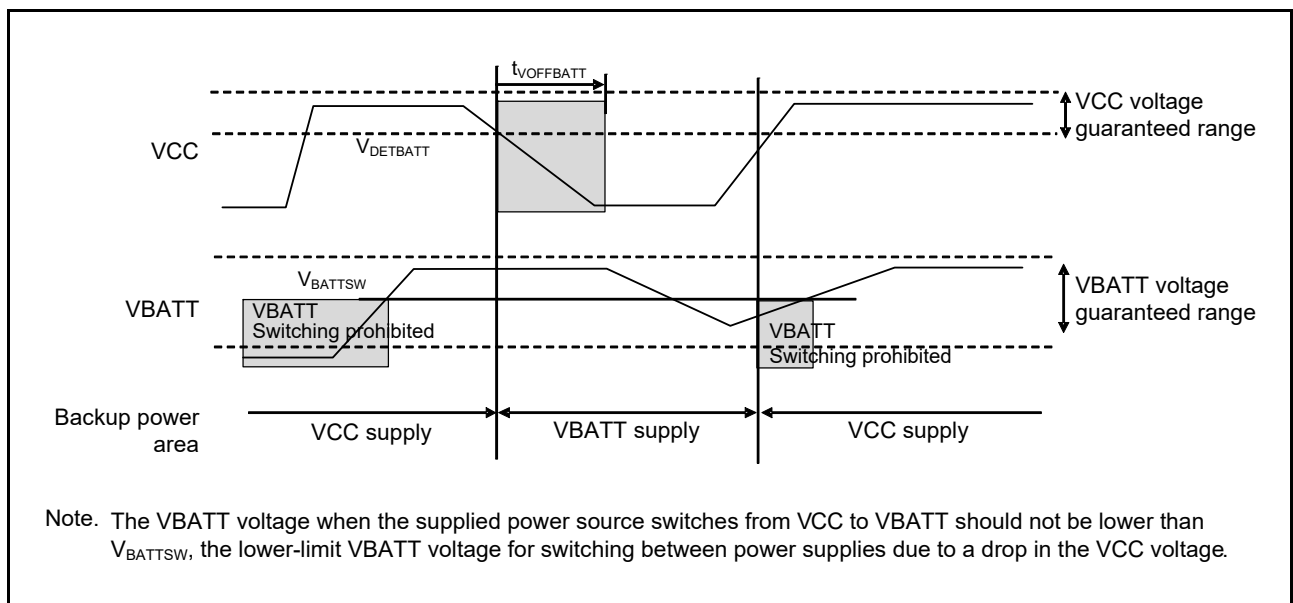
**Table 2.60 Battery Backup Function Characteristics**

Conditions:  $V_{CC} = AV_{CC0} = AV_{CC1} = V_{CC\_USB} = 2.7$  to  $3.6$  V,  $2.7$  V  $\leq V_{REFH0} \leq AV_{CC0}$ ,  
 $V_{SS} = AV_{SS0} = AV_{SS1} = V_{REFL0} = V_{SS\_USB} = 0$  V,  
 $V_{BATT} = 1.62$  to  $3.6$  V,  $T_a = T_{opr}$

Item	Symbol	Min.	Typ.	Max.	Unit	Test Conditions
Voltage level for switching to battery backup	$V_{DETBATT}$	2.50	2.60	2.70	V	Figure 2.98
Lower-limit $V_{BATT}$ voltage for power supply switching due to VCC voltage drop	$V_{BATTSW}$	2.00	—	—	V	
VCC-off period for starting power supply switching*1	$t_{VOFFBATT}$	200	—	—	$\mu$ s	
Backup domain power-down detection level	$V_{PDR(BKP)}$	1.45	1.5	1.55	V	Figure 2.99
Time delay in assertion of the reset signal for the backup domain*2	$t_p(PDRL)$	—	—	2000	$\mu$ s	
Time delay in negation of the reset signal for the backup domain	$t_p(PDRH)$	—	—	1000	$\mu$ s	
Temper input pulse width	$t_w(TAMPI)$	200	—	—	ns	Figure 2.100

Note 1. The VCC-off period for switching power supply indicates the period from VCC falling below the minimum value of the battery backup switching threshold voltage ( $V_{DETBATT}$ ) until the source of supply is switched to VBATT. When the VCC recovers within this period, the source may not be switched to VBATT and supply from VCC is continued.

Note 2. When the  $V_{BKP}$  recovers within this period, the backup domain reset signal may not be generated.



**Figure 2.98 Battery Backup Function Characteristics**

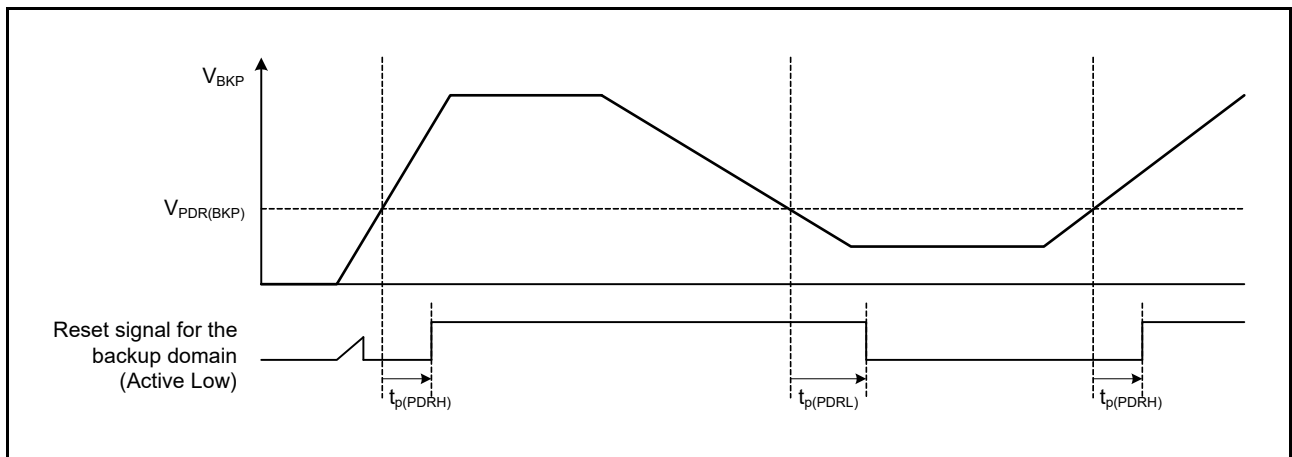


Figure 2.99 Backup Domain Reset Characteristics

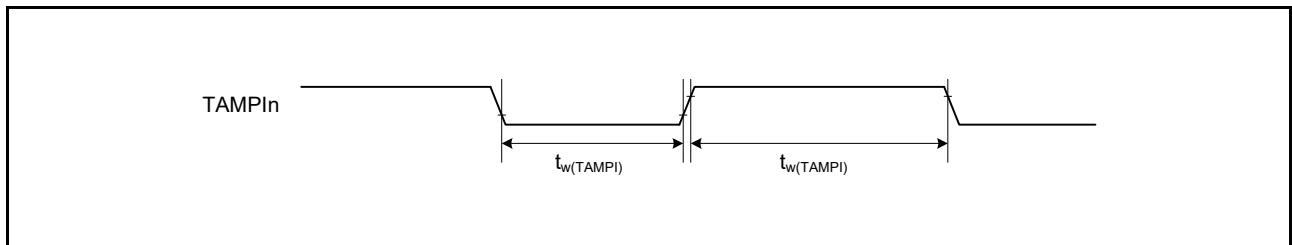


Figure 2.100 TAMPI Input Timing

## 2.12 Flash Memory Characteristics

**Table 2.61 Code Flash Memory Characteristics**

Conditions:  $V_{CC} = AV_{CC0} = AV_{CC1} = V_{CC\_USB} = V_{BATT} = 2.7$  to  $3.6$  V,  $2.7$  V  $\leq V_{REFH0} \leq AV_{CC0}$ ,  
 $V_{SS} = AV_{SS0} = AV_{SS1} = V_{REFL0} = V_{SS\_USB} = 0$  V,  
 Temperature range for programming/erasure:  $T_a = T_{opr}$

Item	Symbol	FCLK = 4 MHz			FCLK = 15 MHz			20 MHz $\leq$ FCLK $\leq$ 60 MHz			Unit	Test Conditions	
		Min.	Typ.	Max.	Min.	Typ.	Max.	Min.	Typ.	Max.			
Programming time $N_{PEC} \leq 100$ times	128 bytes	$t_{P128}$	—	0.75	13.2	—	0.38	6.6	—	0.34	6	ms	
	8 Kbytes	$t_{P8K}$	—	49	176	—	25	88	—	22	80	ms	
	32 Kbytes	$t_{P32K}$	—	194	704	—	97	352	—	88	320	ms	
Programming time $N_{PEC} > 100$ times	128 bytes	$t_{P128}$	—	0.91	15.8	—	0.46	8	—	0.41	7.2	ms	
	8 Kbytes	$t_{P8K}$	—	60	212	—	30	106	—	27	96	ms	
	32 Kbytes	$t_{P32K}$	—	234	848	—	117	424	—	106	384	ms	
Erasure time $N_{PEC} \leq 100$ times	8 Kbytes	$t_{E8K}$	—	78	216	—	48	132	—	43	120	ms	
	32 Kbytes	$t_{E32K}$	—	283	864	—	173	528	—	157	480	ms	
Erasure time $N_{PEC} > 100$ times	8 Kbytes	$t_{E8K}$	—	94	260	—	58	158	—	52	144	ms	
	32 Kbytes	$t_{E32K}$	—	341	1040	—	208	632	—	189	576	ms	
Reprogramming/erasure cycle*1	$N_{PEC}$	10000 *2	—	—	10000 *2	—	—	10000 *2	—	—	—	Times	
Suspend delay time during programming	$t_{SPD}$	—	—	264	—	—	132	—	—	120	$\mu$ s		
First suspend delay time during erasing (in suspend priority mode)	$t_{SESD1}$	—	—	216	—	—	132	—	—	120	$\mu$ s		
Second suspend delay time during erasure (in suspend priority mode)	$t_{SESD2}$	—	—	1.7	—	—	1.7	—	—	1.7	ms		
Suspend delay time during erasure (in erasure priority mode)	$t_{SEED}$	—	—	1.7	—	—	1.7	—	—	1.7	ms		
Forced stop command	$t_{FD}$	—	—	32	—	—	22	—	—	20	$\mu$ s		
Data hold time*3, *4	$t_{DRP}$	20	—	—	20	—	—	20	—	—	Year	$T_a \leq 85^\circ\text{C}$	
		10	—	—	10	—	—	10	—	—		$T_a \leq 105^\circ\text{C}$	

Note 1. Definition of program/erase cycle:

The program/erase cycle is the number of erasing for each block. When the number of program/erase cycles is  $n$ , each block can be erased  $n$  times. For instance, when 128-byte program is performed 64 times for different addresses in 8-Kbyte block and then the block is erased, the program/erase cycle is counted as one. However, the same address cannot be programmed more than once before the next erase cycle (overwriting is prohibited).

Note 2. Characteristics are degraded as the number of program/erase increases. This is the minimum value of program/erase cycles to guarantee all characteristics listed in this table.

Note 3. This shows the characteristic when the flash memory writer or self-programming library from Renesas Electronics is in use, and the number of times programming and erasure proceed does not exceed the specified value.

Note 4. These values are based on the results of reliability testing.

**Table 2.62 Data Flash Memory Characteristics**

Conditions:  $V_{CC} = AVCC0 = AVCC1 = V_{CC\_USB} = V_{BATT} = 2.7$  to  $3.6$  V,  $2.7$  V  $\leq V_{REFH0} \leq AVCC0$ ,  
 $V_{SS} = AVSS0 = AVSS1 = V_{REFL0} = V_{SS\_USB} = 0$  V,  
 Temperature range for programming/erasure:  $T_a = T_{opr}$

Item	Symbol	FCLK = 4 MHz			FCLK = 15 MHz			20 MHz $\leq$ FCLK $\leq$ 60 MHz			Unit	Test Conditions	
		Min.	Typ.	Max.	Min.	Typ.	Max.	Min.	Typ.	Max.			
Programming time	4 bytes	$t_{DP4}$	—	0.36	3.8	—	0.18	1.9	—	0.16	1.7	ms	
Erasure time	64 bytes	$t_{DP64}$	—	3.1	18	—	1.9	11	—	1.7	10	ms	
	128 bytes	$t_{DP128}$	—	4.7	27	—	2.9	16	—	2.6	15	ms	
	256 bytes	$t_{DP256}$	—	8.9	50	—	5.4	31	—	4.9	28	ms	
Blank check time	4 bytes	$t_{DBC4}$	—	—	84	—	—	33	—	—	30	$\mu$ s	
	64 bytes	$t_{DBC64}$	—	—	280	—	—	110	—	—	100	$\mu$ s	
	2 Kbytes	$t_{DBC2K}$	—	—	6160	—	—	2420	—	—	2200	$\mu$ s	
Reprogramming/erasure cycle*1		$N_{DPEC}$	100000 *2	—	—	100000 *2	—	—	100000 *2	—	—	Times	
Suspend delay time during programming		$t_{DSPD}$	—	—	264	—	—	132	—	—	120	$\mu$ s	
First suspend delay time during erasure (in suspend priority mode)	64 bytes	—	—	—	216	—	—	132	—	—	120	$\mu$ s	
	128 bytes	—	—	—	216	—	—	132	—	—	120	$\mu$ s	
	256 bytes	—	—	—	216	—	—	132	—	—	120	$\mu$ s	
Second suspend delay time during erasure (in suspend priority mode)	64 bytes	—	—	—	300	—	—	300	—	—	300	$\mu$ s	
	128 bytes	—	—	—	390	—	—	390	—	—	390	$\mu$ s	
	256 bytes	—	—	—	570	—	—	570	—	—	570	$\mu$ s	
Suspend delay time during erasing (in erasure priority mode)	64 bytes	—	—	—	300	—	—	300	—	—	300	$\mu$ s	
	128 bytes	—	—	—	390	—	—	390	—	—	390	$\mu$ s	
	256 bytes	—	—	—	570	—	—	570	—	—	570	$\mu$ s	
Forced stop command		$t_{FD}$	—	—	32	—	—	22	—	—	20	$\mu$ s	
Data hold time*3, *4		$t_{DDRP}$	20	—	—	20	—	—	20	—	—	Year	$T_a \leq 85^\circ\text{C}$
			10	—	—	10	—	—	10	—	—		$T_a \leq 105^\circ\text{C}$

Note 1. Definition of program/erase cycle:

The program/erase cycle is the number of erasing for each block. When the number of program/erase cycles is n, each block can be erased n times. For instance, when 4-byte program is performed 512 times for different addresses in 2-Kbyte block and then the block is erased, the program/erase cycle is counted as one. However, the same address cannot be programmed more than once before the next erase cycle (overwriting is prohibited).

Note 2. Characteristics are degraded as the number of program/erase increases. This is the minimum value of program/erase cycles to guarantee all characteristics listed in this table.

Note 3. This shows the characteristic when the flash memory writer or self-programming library from Renesas Electronics is in use, and the number of times programming and erasure proceed does not exceed the specified value.

Note 4. These values are based on the results of reliability testing.

**Table 2.63 Option Setting Memory Characteristics**

Conditions:  $V_{CC} = AVCC0 = AVCC1 = V_{CC\_USB} = V_{BATT} = 2.7$  to  $3.6$  V,  $2.7$  V  $\leq V_{REFH0} \leq AVCC0$ ,  
 $V_{SS} = AVSS0 = AVSS1 = V_{REFL0} = V_{SS\_USB} = 0$  V,  
 Temperature range for programming/erasure:  $T_a = T_{opr}$

Item	Symbol	Min.	Typ.	Max.	Unit	Test Conditions
Program/erase cycles*1	$N_{PEC}$	1000*2	—	—	Cycles	
Data retention*3, *4	$t_{DRP}$	20	—	—	Year	$T_a \leq 85^\circ\text{C}$
		10	—	—		$T_a \leq 105^\circ\text{C}$

Note 1. Definition of program/erase cycle:

The program/erase cycle is the number of program for the same address.

Note 2. Characteristics are degraded as the number of program/erase increases. This is the minimum value of program/erase cycles to guarantee all characteristics listed in this table.

Note 3. This shows the characteristic when the flash memory writer or self-programming library from Renesas Electronics is in use, and the number of times programming and erasure proceed does not exceed the specified value.

Note 4. These values are based on the results of reliability testing.



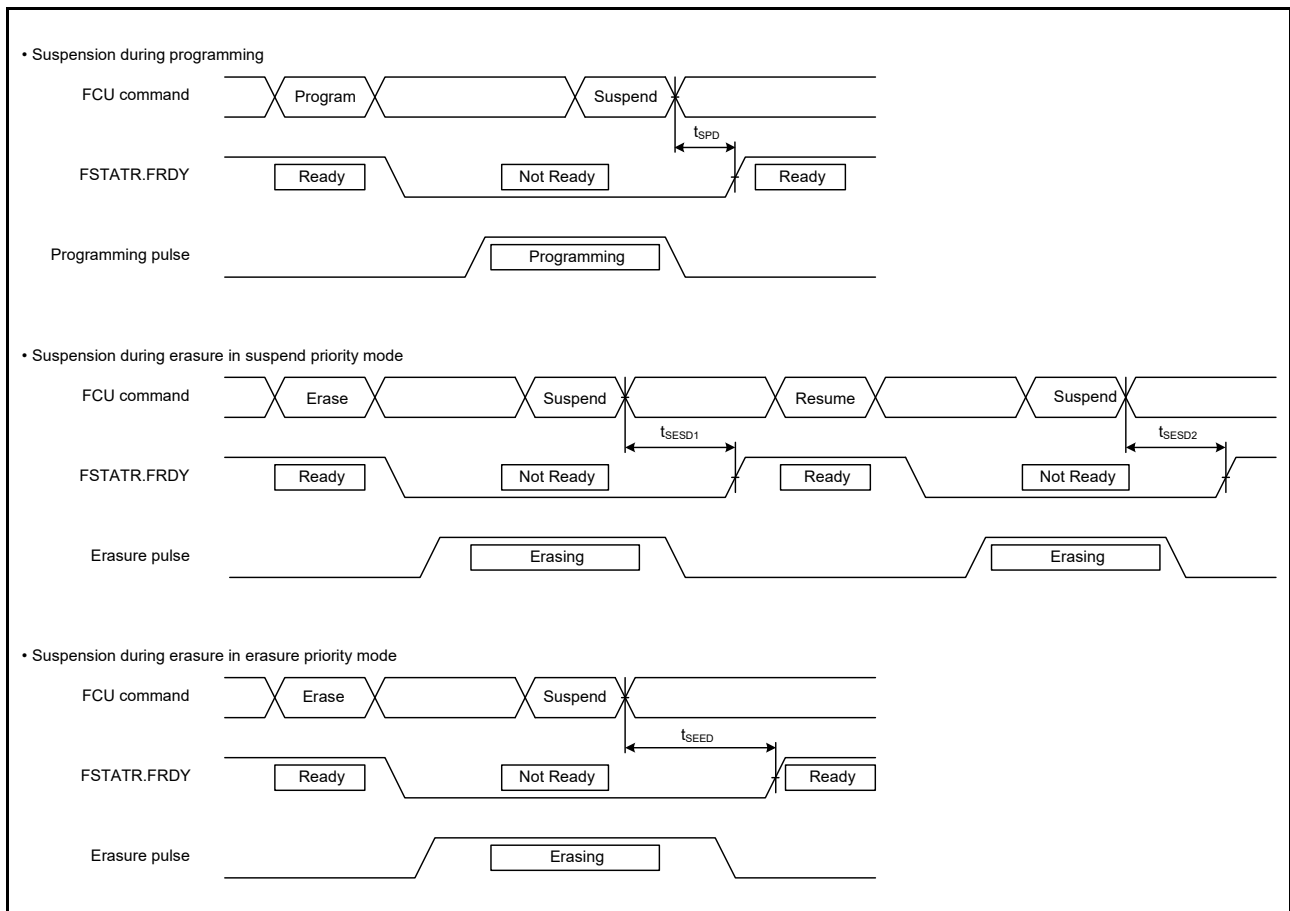


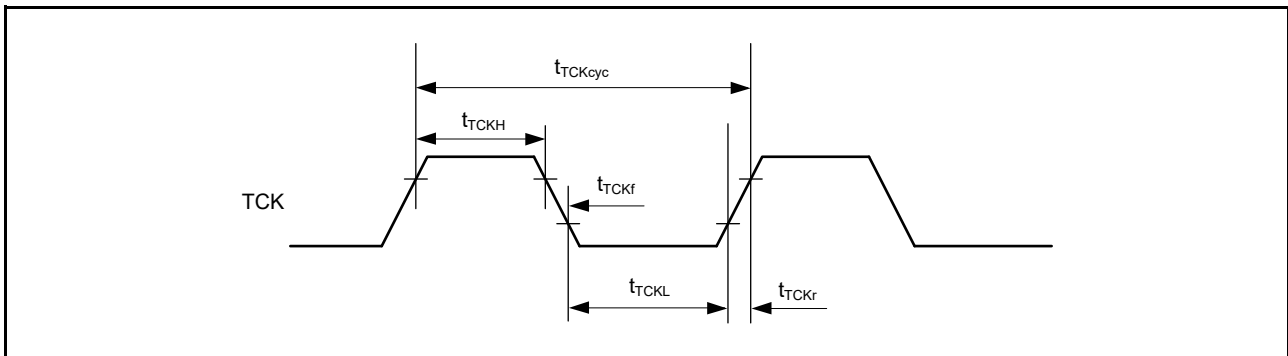
Figure 2.101 Flash Memory Programming/Erasure Suspension Timing

### 2.13 Boundary Scan

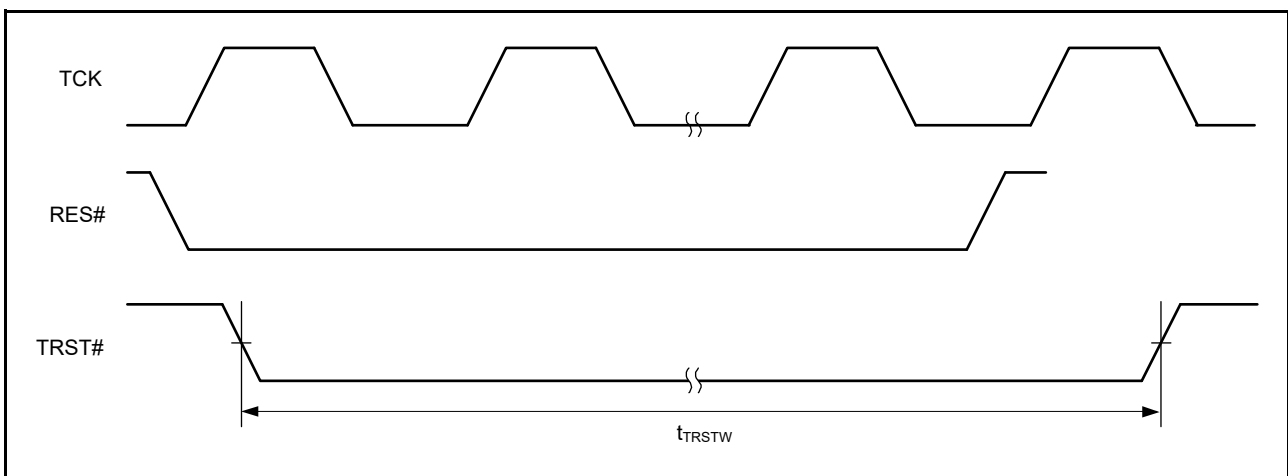
**Table 2.64 Boundary Scan Characteristics**

Conditions:  $V_{CC} = AVCC0 = AVCC1 = VCC\_USB = V_{BATT} = 2.7$  to  $3.6$  V,  $2.7$  V  $\leq$   $V_{REFH0} \leq AVCC0$ ,  
 $V_{SS} = AVSS0 = AVSS1 = V_{REFL0} = VSS\_USB = 0$  V,  
 $T_a = T_{opr}$ ,  
 Output load conditions:  $V_{OH} = 0.5 \times V_{CC}$ ,  $V_{OL} = 0.5 \times V_{CC}$ ,  $C = 30$  pF,  
 High-drive output is selected by the drive capacity control register.

Item	Symbol	Min.	Typ.	Max.	Unit	Test Conditions
TCK clock cycle time	$t_{TCKcyc}$	100	—	—	ns	Figure 2.102
TCK clock high pulse width	$t_{TCKH}$	45	—	—	ns	
TCK clock low pulse width	$t_{TCKL}$	45	—	—	ns	
TCK clock rise time	$t_{TCKr}$	—	—	5	ns	
TCK clock fall time	$t_{TCKf}$	—	—	5	ns	
TRST# pulse width	$t_{TRSTW}$	20	—	—	$t_{TCKcyc}$	Figure 2.103
TMS setup time	$t_{TMSS}$	20	—	—	ns	Figure 2.104
TMS hold time	$t_{TMSH}$	20	—	—	ns	
TDI setup time	$t_{TDIS}$	20	—	—	ns	
TDI hold time	$t_{TDIH}$	20	—	—	ns	
TDO data delay time	$t_{TDOD}$	—	—	40	ns	



**Figure 2.102 Boundary Scan TCK Timing**



**Figure 2.103 Boundary Scan TRST# Timing**

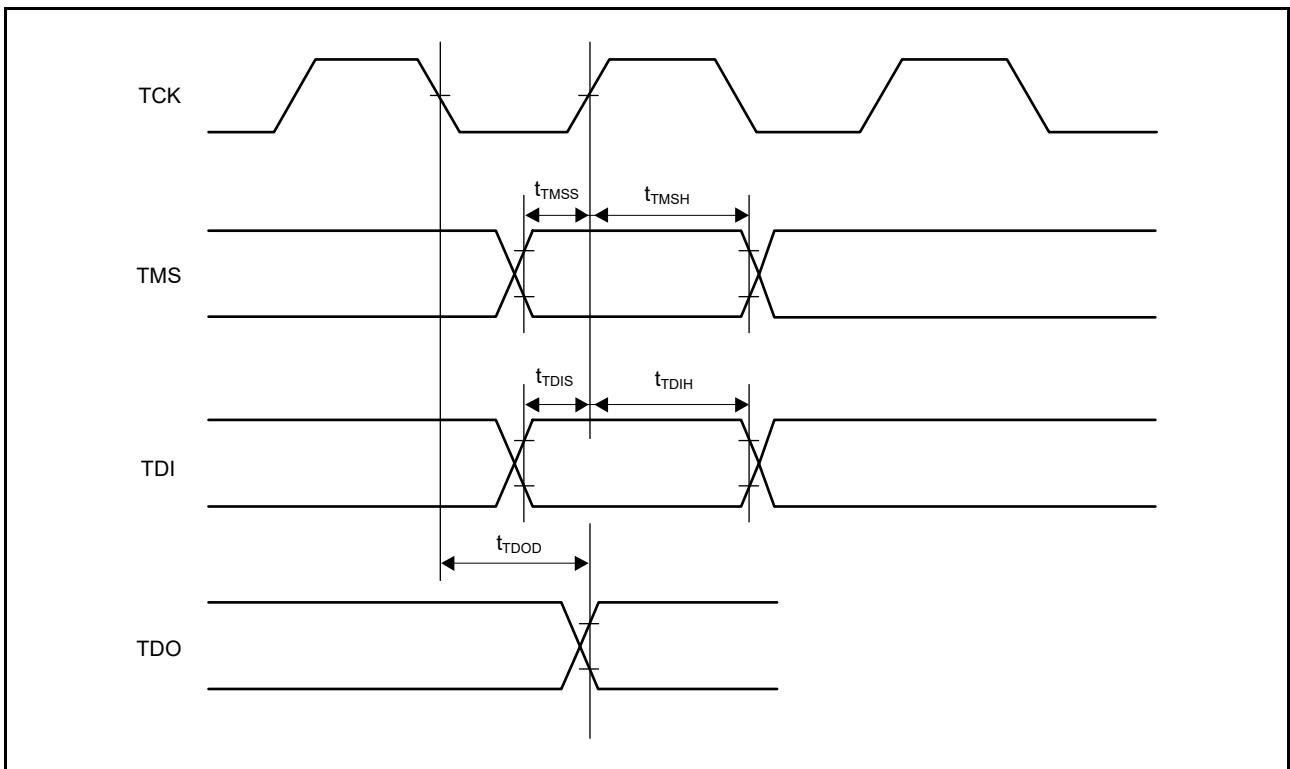


Figure 2.104 Boundary Scan Input/Output Timing

## Appendix 1. Package Dimensions

Information on the latest version of the package dimensions or mountings has been displayed in “Packages” on Renesas Electronics Corporation website.

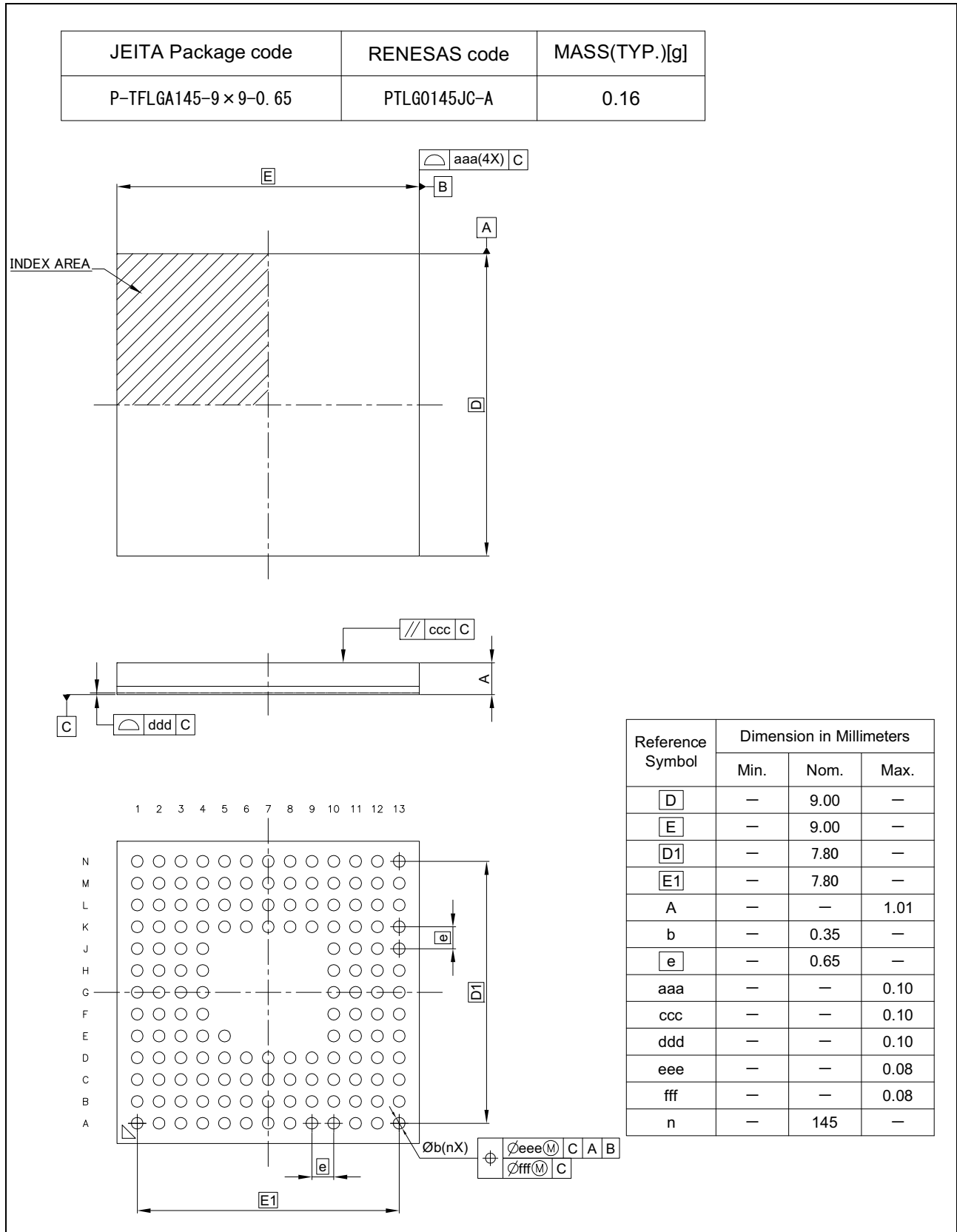
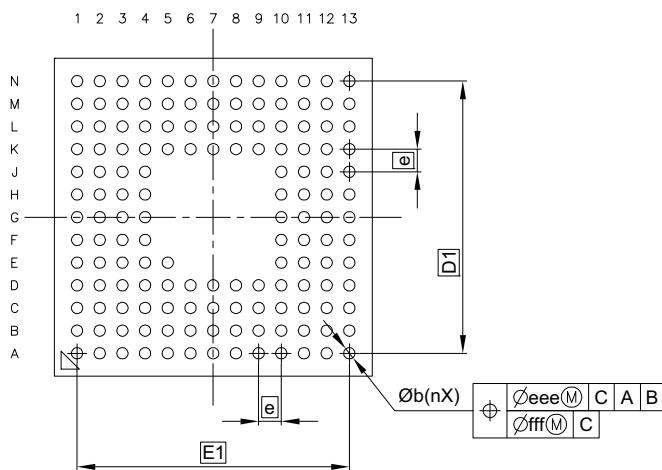
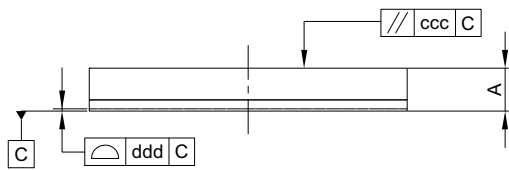
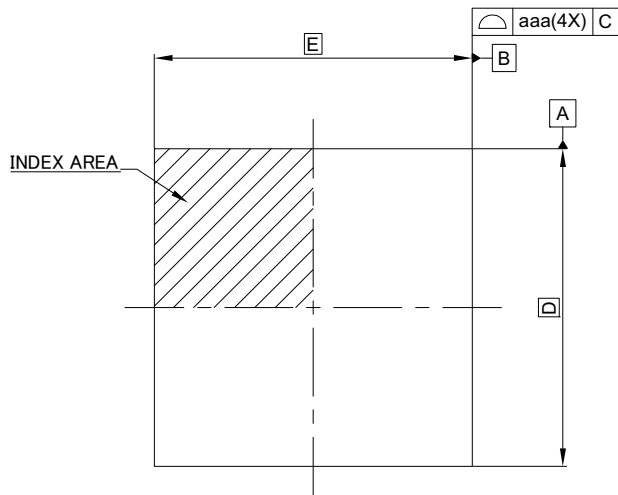


Figure A 145-Pin TFLGA (PTLG0145JC-A)

JEITA Package code	RENESAS code	MASS(TYP.)[g]
P-TFLGA145-7 × 7-0.5	PTLG0145KB-A	0.09

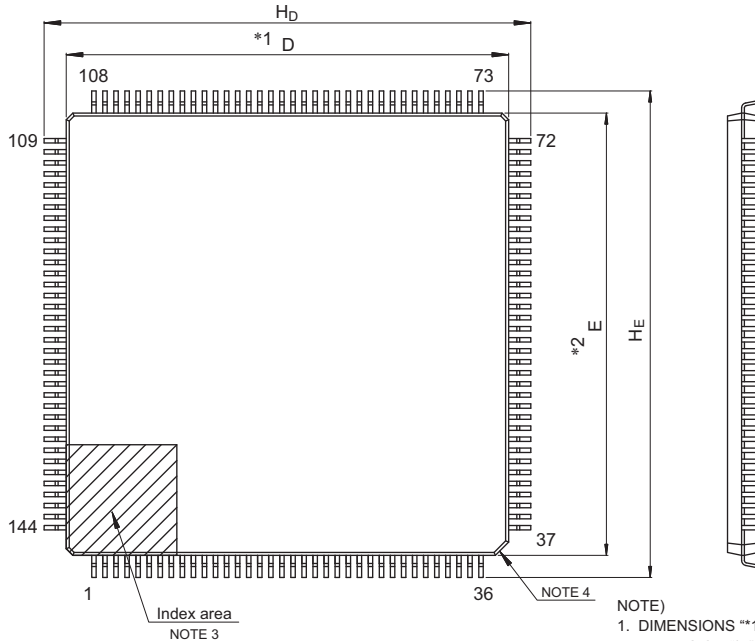


Reference Symbol	Dimension in Millimeters		
	Min.	Nom.	Max.
D	—	7.00	—
E	—	7.00	—
D1	—	6.00	—
E1	—	6.00	—
A	—	—	1.01
b	—	0.25	—
e	—	0.50	—
aaa	—	—	0.10
ccc	—	—	0.10
ddd	—	—	0.08
eee	—	—	0.08
fff	—	—	0.05
n	—	145	—

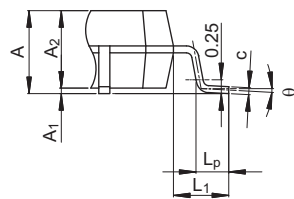
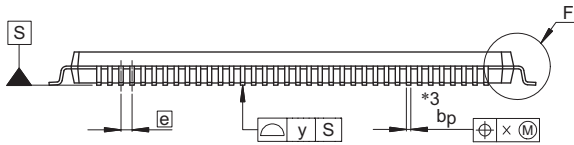
Figure B 145-Pin TFLGA (PTLG0145KB-A)

JEITA Package Code	RENESAS Code	Previous Code	MASS (Typ) [g]
P-LFQFP144-20x20-0.50	PLQP0144KA-B	—	1.2

Unit: mm



- NOTE)
1. DIMENSIONS \*\*1" AND \*\*2" DO NOT INCLUDE MOLD FLASH.
  2. DIMENSION \*\*3" DOES NOT INCLUDE TRIM OFFSET.
  3. PIN 1 VISUAL INDEX FEATURE MAY VARY, BUT MUST BE LOCATED WITHIN THE HATCHED AREA.
  4. CHAMFERS AT CORNERS ARE OPTIONAL, SIZE MAY VARY.

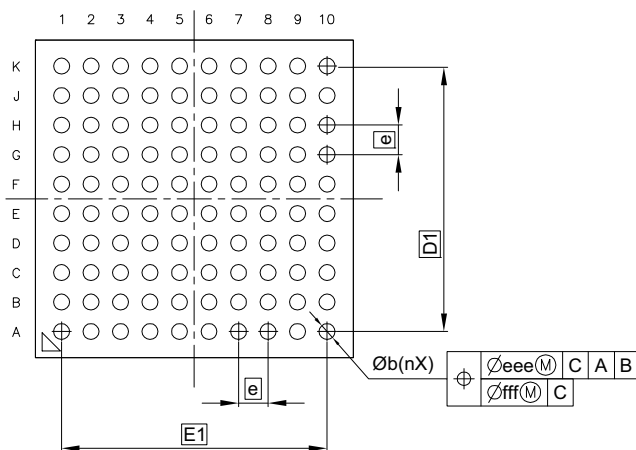
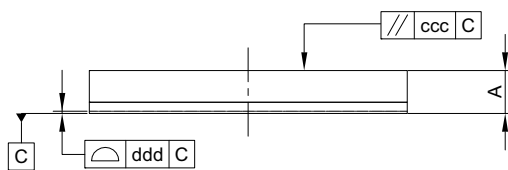
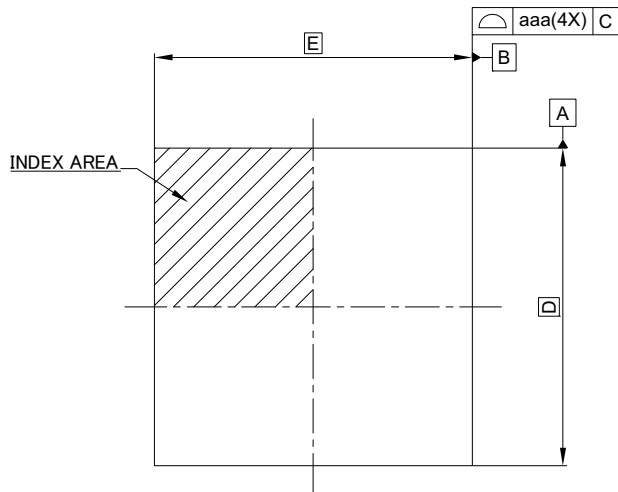


Detail F

Reference Symbol	Dimensions in millimeters		
	Min	Nom	Max
D	19.9	20.0	20.1
E	19.9	20.0	20.1
A <sub>2</sub>	—	1.4	—
H <sub>D</sub>	21.8	22.0	22.2
H <sub>E</sub>	21.8	22.0	22.2
A	—	—	1.7
A <sub>1</sub>	0.05	—	0.15
b <sub>p</sub>	0.17	0.20	0.27
c	0.09	—	0.20
θ	0°	3.5°	8°
e	—	0.5	—
x	—	—	0.08
y	—	—	0.10
L <sub>p</sub>	0.45	0.6	0.75
L <sub>1</sub>	—	1.0	—

Figure C 144-Pin LFQFP (PLQP0144KA-B)

JEITA Package code	RENESAS code	MASS(TYP.)[g]
P-TFLGA100-7 × 7-0.65	PTLG0100JB-A	0.09

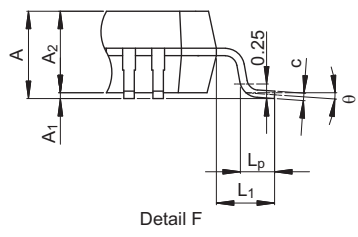
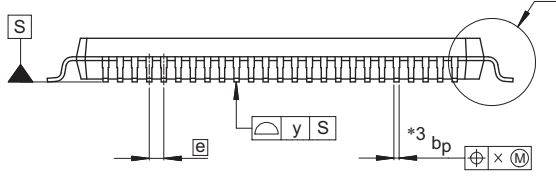
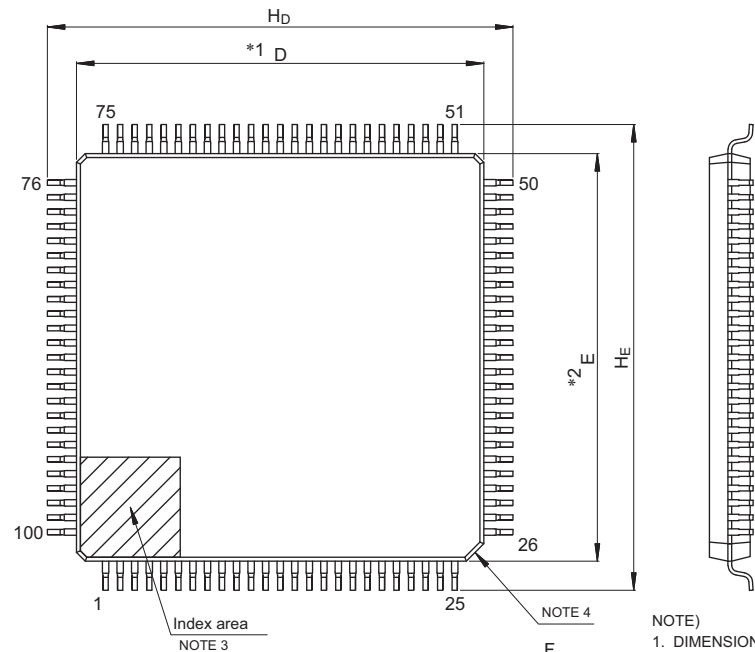


Reference Symbol	Dimension in Millimeters		
	Min.	Nom.	Max.
D	—	7.00	—
E	—	7.00	—
D1	—	5.85	—
E1	—	5.85	—
A	—	—	1.01
b	—	0.35	—
e	—	0.65	—
aaa	—	—	0.10
ccc	—	—	0.10
ddd	—	—	0.08
eee	—	—	0.08
fff	—	—	0.08
n	—	100	—

Figure D 100-Pin TFLGA (PTLG0100JB-A)

JEITA Package Code	RENESAS Code	Previous Code	MASS (Typ) [g]
P-LFQFP100-14x14-0.50	PLQP0100KB-B	—	0.6

Unit: mm



- NOTE)
1. DIMENSIONS \*\*1" AND \*\*2" DO NOT INCLUDE MOLD FLASH.
  2. DIMENSION \*\*3" DOES NOT INCLUDE TRIM OFFSET.
  3. PIN 1 VISUAL INDEX FEATURE MAY VARY, BUT MUST BE LOCATED WITHIN THE HATCHED AREA.
  4. CHAMFERS AT CORNERS ARE OPTIONAL, SIZE MAY VARY.

Reference Symbol	Dimensions in millimeters		
	Min	Nom	Max
D	13.9	14.0	14.1
E	13.9	14.0	14.1
A <sub>2</sub>	—	1.4	—
H <sub>D</sub>	15.8	16.0	16.2
H <sub>E</sub>	15.8	16.0	16.2
A	—	—	1.7
A <sub>1</sub>	0.05	—	0.15
b <sub>p</sub>	0.15	0.20	0.27
c	0.09	—	0.20
θ	0°	3.5°	8°
e	—	0.5	—
x	—	—	0.08
y	—	—	0.08
L <sub>p</sub>	0.45	0.6	0.75
L <sub>1</sub>	—	1.0	—

Figure E 100-Pin LFQFP (PLQP0100KB-B)



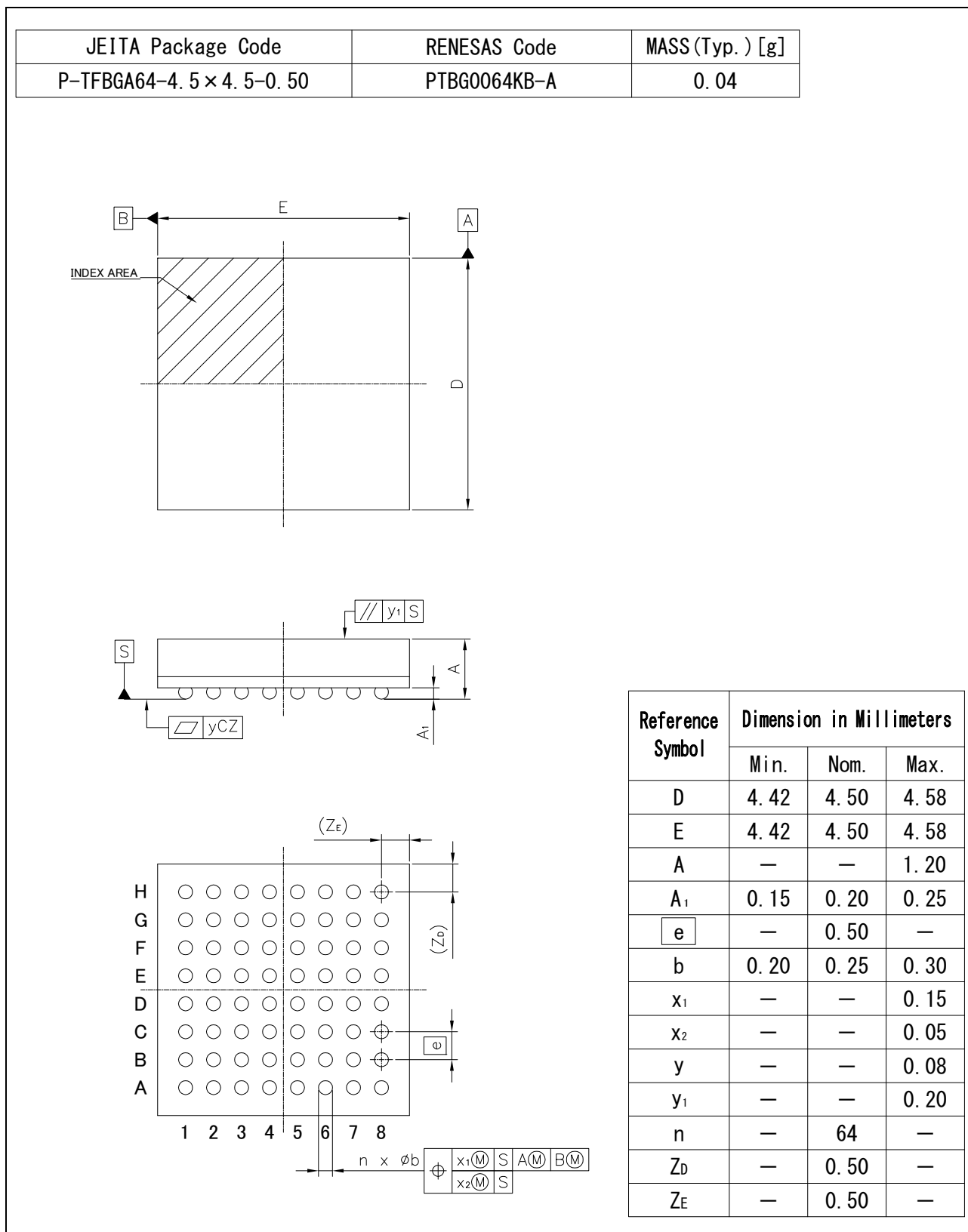
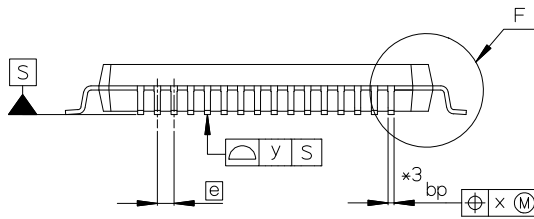
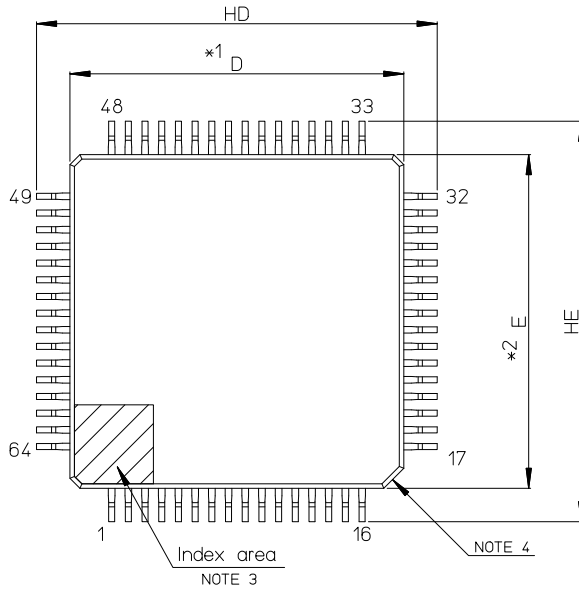
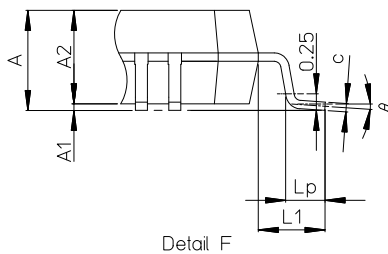


Figure F 64-Pin TFBGA (PTBG0064KB-A)

JEITA Package Code	RENESAS Code	Previous Code	MASS[Typ.]
P-LFQFP64-10x10-0.50	PLQP0064KB-C	—	0.3g



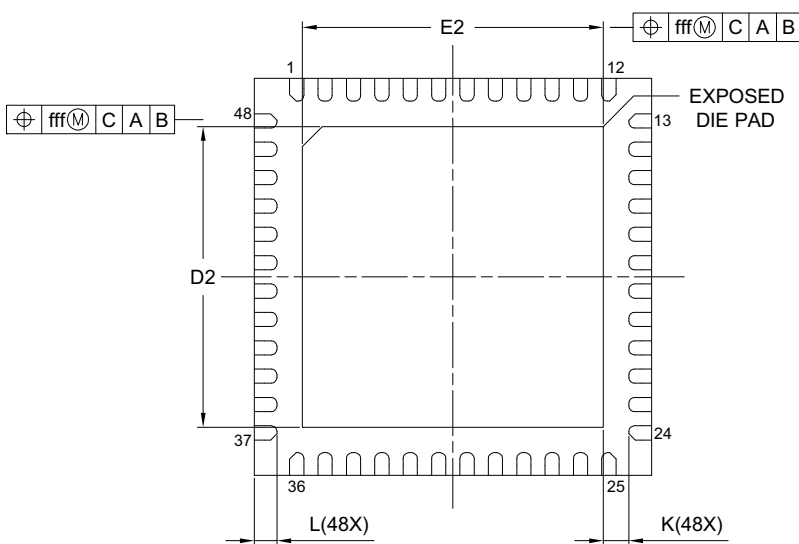
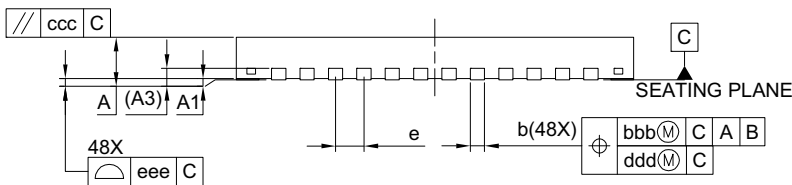
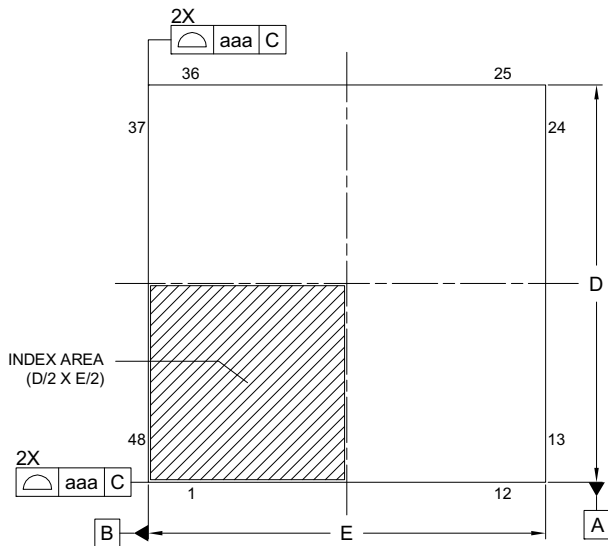
- NOTE)
1. DIMENSIONS \*1\* AND \*2\* DO NOT INCLUDE MOLD FLASH.
  2. DIMENSION \*3\* DOES NOT INCLUDE TRIM OFFSET.
  3. PIN 1 VISUAL INDEX FEATURE MAY VARY, BUT MUST BE LOCATED WITHIN THE HATCHED AREA.
  4. CHAMFERS AT CORNERS ARE OPTIONAL; SIZE MAY VARY.



Reference Symbol	Dimension in Millimeters		
	Min	Nom	Max
D	9.9	10.0	10.1
E	9.9	10.0	10.1
A2	—	1.4	—
HD	11.8	12.0	12.2
HE	11.8	12.0	12.2
A	—	—	1.7
A1	0.05	—	0.15
bp	0.15	0.20	0.27
c	0.09	—	0.20
$\theta$	0°	3.5°	8°
e	—	0.5	—
x	—	—	0.08
y	—	—	0.08
Lp	0.45	0.6	0.75
L1	—	1.0	—

Figure G 64-Pin LFQFP (PLQP0064KB-C)

JEITA Package code	RENESAS code	MASS(TYP.)[g]
P-HWQFN048-7x7-0.50	PWQN0048KC-A	0.13 g



Reference Symbol	Dimension in Millimeters		
	Min.	Nom.	Max.
A	—	—	0.80
A <sub>1</sub>	0.00	0.02	0.05
A <sub>3</sub>	0.203 REF.		
b	0.20	0.25	0.30
D	7.00 BSC		
E	7.00 BSC		
e	0.50 BSC		
L	0.30	0.40	0.50
K	0.20	—	—
D <sub>2</sub>	5.25	5.30	5.35
E <sub>2</sub>	5.25	5.30	5.35
aaa	0.15		
bbb	0.10		
ccc	0.10		
ddd	0.05		
eee	0.08		
fff	0.10		

Figure H 48-Pin HWQFN (PWQN0048KC-A)

REVISION HISTORY	RX671 Group Datasheet
------------------	-----------------------

## Classifications

- Items with Technical Update document number: Changes according to the corresponding issued Technical Update
- Items without Technical Update document number: Minor changes that do not require Technical Update to be issued

Rev.	Date	Description		Classification
		Page	Summary	
1.00	Mar 31, 2021	—	First edition, issued	
1.10	Apr 15, 2022	Features		
		1	Coremark value, changed	
		1	Useful functions for IEC60730 compliance, changed	
		1. Overview		
		8	Table 1.1 Outline of Specifications (7/10), changed	
		11	Table 1.1 Outline of Specifications (10/10), changed	
		14 to 16	Table 1.3 List of Products, changed	
		17	Figure 1.1 How to Read the Product Part Number, changed	
		18	Figure 1.2 Block Diagram, changed	
		23	Table 1.4 Pin Functions (5/8), changed	
		24	Table 1.4 Pin Functions (6/8), changed	
		26	Table 1.4 Pin Functions, Note changed	
		2. Electrical Characteristics		
		87	Table 2.9 Normal Output Characteristics, added	
		88	Table 2.10 Thermal Resistance Value (Reference), changed	
		Appendix 1. Package Dimensions		
		168	Figure A 145-Pin TFLGA (PTLG0145JC-A), added	
		169	Figure B 145-Pin TFLGA (PTLG0145KB-A), added	
		171	Figure D 100-Pin TFLGA (PTLG0100JB-A), added	
		173	Figure F 64-Pin TFBGA (PTBG0064KB-A), added	
175	Figure H 48-Pin HWQFN (PWQN0048KC-A), added			
1.20	Sep 30, 2024	1. Overview		
		9	Table 1.1 Outline of Specifications Note2, deleted	
		16	Table 1.3 List of Products Note, added	
		17	Figure 1.1 How to Read the Product Part Number, changed	
		2. Electrical Characteristics		
		81	Table 2.3 Recommended Operating Conditions (2) Note1, changed	TN-RX*-A0273A/E
		84	Table 2.6 DC Characteristics (3), changed	
		130	Figure 2.57 Simple IIC Bus Interface Input/Output Timing, changed	
		147	Table 2.46 RIIC Timing (1), changed	
		148	Table 2.47 RIIC Timing (2), changed	
		148	Figure 2.85 RIIC Bus Interface Input/Output Timing, changed	
		149	Table 2.48 RIICHS Timing (1), changed	
		150	Figure 2.86 RIICHS Bus Interface Input/Output Timing, changed	
		150, 151	Table 2.49 RIICHS Timing (2), changed	TN-RX*-A0266A/E
		165	Table 2.63 Option Setting Memory Characteristics, added	TN-RX*-A0276B/E

## General Precautions in the Handling of Microprocessing Unit and Microcontroller Unit Products

The following usage notes are applicable to all Microprocessing unit and Microcontroller unit products from Renesas. For detailed usage notes on the products covered by this document, refer to the relevant sections of the document as well as any technical updates that have been issued for the products.

### 1. Precaution against Electrostatic Discharge (ESD)

A strong electrical field, when exposed to a CMOS device, can cause destruction of the gate oxide and ultimately degrade the device operation. Steps must be taken to stop the generation of static electricity as much as possible, and quickly dissipate it when it occurs. Environmental control must be adequate. When it is dry, a humidifier should be used. This is recommended to avoid using insulators that can easily build up static electricity. Semiconductor devices must be stored and transported in an anti-static container, static shielding bag or conductive material. All test and measurement tools including work benches and floors must be grounded. The operator must also be grounded using a wrist strap. Semiconductor devices must not be touched with bare hands. Similar precautions must be taken for printed circuit boards with mounted semiconductor devices.

### 2. Processing at power-on

The state of the product is undefined at the time when power is supplied. The states of internal circuits in the LSI are indeterminate and the states of register settings and pins are undefined at the time when power is supplied. In a finished product where the reset signal is applied to the external reset pin, the states of pins are not guaranteed from the time when power is supplied until the reset process is completed. In a similar way, the states of pins in a product that is reset by an on-chip power-on reset function are not guaranteed from the time when power is supplied until the power reaches the level at which resetting is specified.

### 3. Input of signal during power-off state

Do not input signals or an I/O pull-up power supply while the device is powered off. The current injection that results from input of such a signal or I/O pull-up power supply may cause malfunction and the abnormal current that passes in the device at this time may cause degradation of internal elements. Follow the guideline for input signal during power-off state as described in your product documentation.

### 4. Handling of unused pins

Handle unused pins in accordance with the directions given under handling of unused pins in the manual. The input pins of CMOS products are generally in the high-impedance state. In operation with an unused pin in the open-circuit state, extra electromagnetic noise is induced in the vicinity of the LSI, an associated shoot-through current flows internally, and malfunctions occur due to the false recognition of the pin state as an input signal become possible.

### 5. Clock signals

After applying a reset, only release the reset line after the operating clock signal becomes stable. When switching the clock signal during program execution, wait until the target clock signal is stabilized. When the clock signal is generated with an external resonator or from an external oscillator during a reset, ensure that the reset line is only released after full stabilization of the clock signal. Additionally, when switching to a clock signal produced with an external resonator or by an external oscillator while program execution is in progress, wait until the target clock signal is stable.

### 6. Voltage application waveform at input pin

Waveform distortion due to input noise or a reflected wave may cause malfunction. If the input of the CMOS device stays in the area between  $V_{IL}$  (Max.) and  $V_{IH}$  (Min.) due to noise, for example, the device may malfunction. Take care to prevent chattering noise from entering the device when the input level is fixed, and also in the transition period when the input level passes through the area between  $V_{IL}$  (Max.) and  $V_{IH}$  (Min.).

### 7. Prohibition of access to reserved addresses

Access to reserved addresses is prohibited. The reserved addresses are provided for possible future expansion of functions. Do not access these addresses as the correct operation of the LSI is not guaranteed.

### 8. Differences between products

Before changing from one product to another, for example to a product with a different part number, confirm that the change will not lead to problems. The characteristics of a microprocessing unit or microcontroller unit products in the same group but having a different part number might differ in terms of internal memory capacity, layout pattern, and other factors, which can affect the ranges of electrical characteristics, such as characteristic values, operating margins, immunity to noise, and amount of radiated noise. When changing to a product with a different part number, implement a system-evaluation test for the given product.

## Notice

1. Descriptions of circuits, software and other related information in this document are provided only to illustrate the operation of semiconductor products and application examples. You are fully responsible for the incorporation or any other use of the circuits, software, and information in the design of your product or system. Renesas Electronics disclaims any and all liability for any losses and damages incurred by you or third parties arising from the use of these circuits, software, or information.
2. Renesas Electronics hereby expressly disclaims any warranties against and liability for infringement or any other claims involving patents, copyrights, or other intellectual property rights of third parties, by or arising from the use of Renesas Electronics products or technical information described in this document, including but not limited to, the product data, drawings, charts, programs, algorithms, and application examples.
3. No license, express, implied or otherwise, is granted hereby under any patents, copyrights or other intellectual property rights of Renesas Electronics or others.
4. You shall be responsible for determining what licenses are required from any third parties, and obtaining such licenses for the lawful import, export, manufacture, sales, utilization, distribution or other disposal of any products incorporating Renesas Electronics products, if required.
5. You shall not alter, modify, copy, or reverse engineer any Renesas Electronics product, whether in whole or in part. Renesas Electronics disclaims any and all liability for any losses or damages incurred by you or third parties arising from such alteration, modification, copying or reverse engineering.
6. Renesas Electronics products are classified according to the following two quality grades: "Standard" and "High Quality". The intended applications for each Renesas Electronics product depends on the product's quality grade, as indicated below.

"Standard": Computers; office equipment; communications equipment; test and measurement equipment; audio and visual equipment; home electronic appliances; machine tools; personal electronic equipment; industrial robots; etc.

"High Quality": Transportation equipment (automobiles, trains, ships, etc.); traffic control (traffic lights); large-scale communication equipment; key financial terminal systems; safety control equipment; etc.

Unless expressly designated as a high reliability product or a product for harsh environments in a Renesas Electronics data sheet or other Renesas Electronics document, Renesas Electronics products are not intended or authorized for use in products or systems that may pose a direct threat to human life or bodily injury (artificial life support devices or systems; surgical implantations; etc.), or may cause serious property damage (space system; undersea repeaters; nuclear power control systems; aircraft control systems; key plant systems; military equipment; etc.). Renesas Electronics disclaims any and all liability for any damages or losses incurred by you or any third parties arising from the use of any Renesas Electronics product that is inconsistent with any Renesas Electronics data sheet, user's manual or other Renesas Electronics document.

7. No semiconductor product is absolutely secure. Notwithstanding any security measures or features that may be implemented in Renesas Electronics hardware or software products, Renesas Electronics shall have absolutely no liability arising out of any vulnerability or security breach, including but not limited to any unauthorized access to or use of a Renesas Electronics product or a system that uses a Renesas Electronics product. RENESAS ELECTRONICS DOES NOT WARRANT OR GUARANTEE THAT RENESAS ELECTRONICS PRODUCTS, OR ANY SYSTEMS CREATED USING RENESAS ELECTRONICS PRODUCTS WILL BE INVULNERABLE OR FREE FROM CORRUPTION, ATTACK, VIRUSES, INTERFERENCE, HACKING, DATA LOSS OR THEFT, OR OTHER SECURITY INTRUSION ("Vulnerability Issues"). RENESAS ELECTRONICS DISCLAIMS ANY AND ALL RESPONSIBILITY OR LIABILITY ARISING FROM OR RELATED TO ANY VULNERABILITY ISSUES. FURTHERMORE, TO THE EXTENT PERMITTED BY APPLICABLE LAW, RENESAS ELECTRONICS DISCLAIMS ANY AND ALL WARRANTIES, EXPRESS OR IMPLIED, WITH RESPECT TO THIS DOCUMENT AND ANY RELATED OR ACCOMPANYING SOFTWARE OR HARDWARE, INCLUDING BUT NOT LIMITED TO THE IMPLIED WARRANTIES OF MERCHANTABILITY, OR FITNESS FOR A PARTICULAR PURPOSE.
8. When using Renesas Electronics products, refer to the latest product information (data sheets, user's manuals, application notes, "General Notes for Handling and Using Semiconductor Devices" in the reliability handbook, etc.), and ensure that usage conditions are within the ranges specified by Renesas Electronics with respect to maximum ratings, operating power supply voltage range, heat dissipation characteristics, installation, etc. Renesas Electronics disclaims any and all liability for any malfunctions, failure or accident arising out of the use of Renesas Electronics products outside of such specified ranges.
9. Although Renesas Electronics endeavors to improve the quality and reliability of Renesas Electronics products, semiconductor products have specific characteristics, such as the occurrence of failure at a certain rate and malfunctions under certain use conditions. Unless designated as a high reliability product or a product for harsh environments in a Renesas Electronics data sheet or other Renesas Electronics document, Renesas Electronics products are not subject to radiation resistance design. You are responsible for implementing safety measures to guard against the possibility of bodily injury, injury or damage caused by fire, and/or danger to the public in the event of a failure or malfunction of Renesas Electronics products, such as safety design for hardware and software, including but not limited to redundancy, fire control and malfunction prevention, appropriate treatment for aging degradation or any other appropriate measures. Because the evaluation of microcomputer software alone is very difficult and impractical, you are responsible for evaluating the safety of the final products or systems manufactured by you.
10. Please contact a Renesas Electronics sales office for details as to environmental matters such as the environmental compatibility of each Renesas Electronics product. You are responsible for carefully and sufficiently investigating applicable laws and regulations that regulate the inclusion or use of controlled substances, including without limitation, the EU RoHS Directive, and using Renesas Electronics products in compliance with all these applicable laws and regulations. Renesas Electronics disclaims any and all liability for damages or losses occurring as a result of your noncompliance with applicable laws and regulations.
11. Renesas Electronics products and technologies shall not be used for or incorporated into any products or systems whose manufacture, use, or sale is prohibited under any applicable domestic or foreign laws or regulations. You shall comply with any applicable export control laws and regulations promulgated and administered by the governments of any countries asserting jurisdiction over the parties or transactions.
12. It is the responsibility of the buyer or distributor of Renesas Electronics products, or any other party who distributes, disposes of, or otherwise sells or transfers the product to a third party, to notify such third party in advance of the contents and conditions set forth in this document.
13. This document shall not be reprinted, reproduced or duplicated in any form, in whole or in part, without prior written consent of Renesas Electronics.
14. Please contact a Renesas Electronics sales office if you have any questions regarding the information contained in this document or Renesas Electronics products.

(Note1) "Renesas Electronics" as used in this document means Renesas Electronics Corporation and also includes its directly or indirectly controlled subsidiaries.

(Note2) "Renesas Electronics product(s)" means any product developed or manufactured by or for Renesas Electronics.

(Rev.5.0-1 October 2020)

## Corporate Headquarters

TOYOSU FORESIA, 3-2-24 Toyosu,  
Koto-ku, Tokyo 135-0061, Japan  
[www.renesas.com](http://www.renesas.com)

## Trademarks

Renesas and the Renesas logo are trademarks of Renesas Electronics Corporation.  
All trademarks and registered trademarks are the property of their respective owners.

## Contact Information

For further information on a product, technology, the most up-to-date version of a document, or your nearest sales office, please visit:  
[www.renesas.com/contact/](http://www.renesas.com/contact/)