



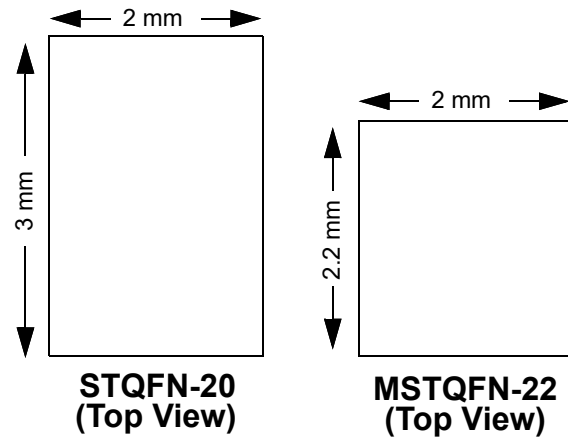
#### Features

- Logic & Mixed Signal Circuits
- Highly Versatile Macrocells
- Read Back Protection (Read Lock)
- 1.8 V ( $\pm 5\%$ ) to 5 V ( $\pm 10\%$ ) Supply
- Operating Temperature Range:  $-40^{\circ}\text{C}$  to  $85^{\circ}\text{C}$
- RoHS Compliant / Halogen-Free
- 20-pin STQFN: 2 x 3 x 0.55 mm, 0.4 mm pitch or 22-pin MSTQFN: 2 x 2.2 x 0.55 mm, 0.4 mm pitch

#### Applications

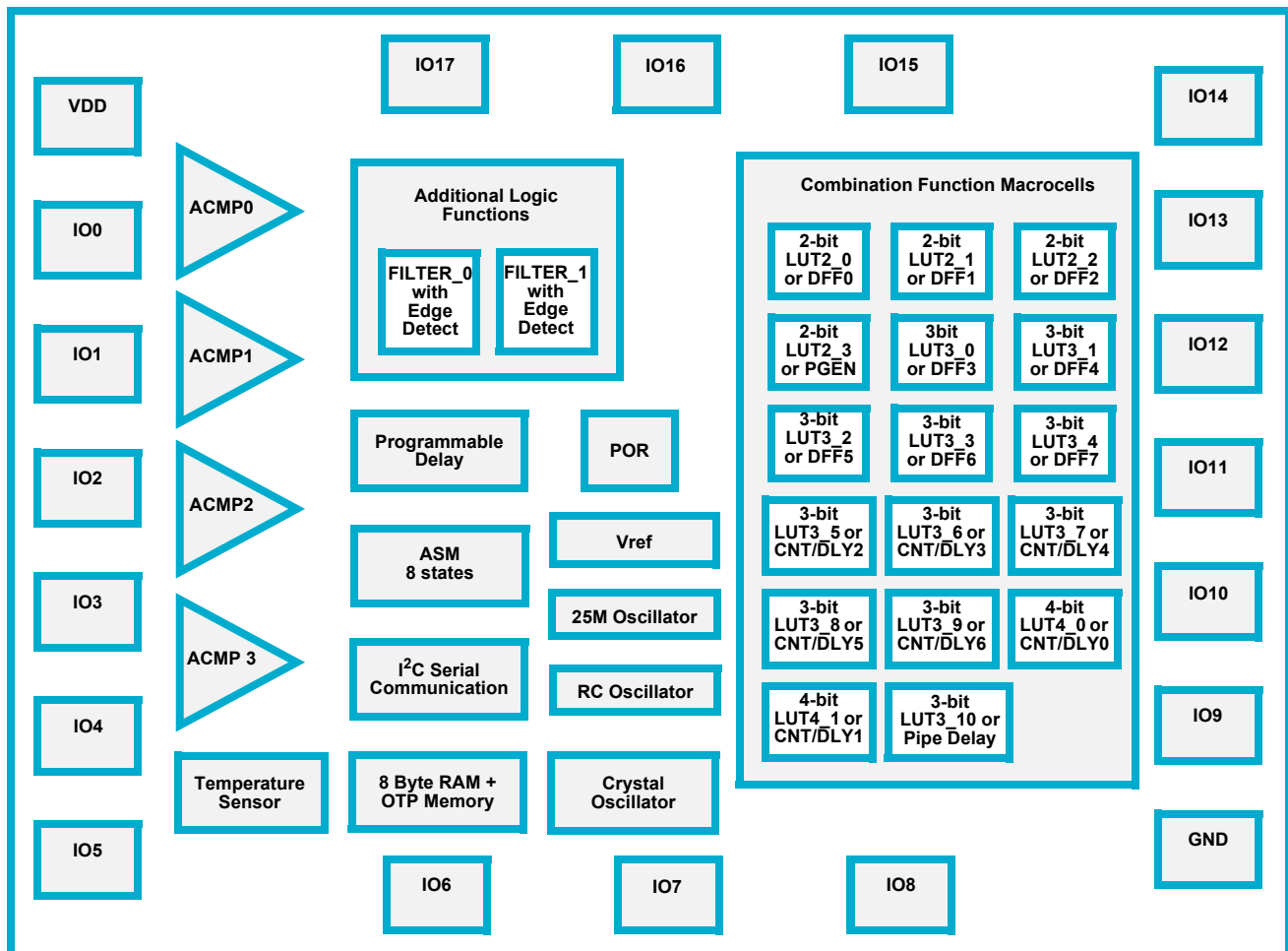
- Personal Computers and Servers
- PC Peripherals
- Consumer Electronics
- Data Communications Equipment
- Handheld and Portable Electronics

#### Available Package Options



Packages drawn to scale

#### Block Diagram



## 1.0 Overview

The SLG46537 provides a small, low power component for commonly used mixed-signal functions. The user creates their circuit design by programming the one time Non-Volatile Memory (NVM) to configure the interconnect logic, the IO Pins and the macrocells of the SLG46537. This highly versatile device allows a wide variety of mixed-signal functions to be designed within a very small, low power single integrated circuit. The macrocells in the device include the following:

- Four Analog Comparators (ACMP)
- Two Voltage References (Vref)
- Nineteen Combination Function Macrocells
  - Three Selectable DFF/Latch or 2-bit LUTs
  - One Selectable Continuous DFF/Latch or 3-bit LUT
  - Four Selectable DFF/Latch or 3-bit LUTs
  - One Selectable Pipe Delay or 3-bit LUT
  - One Selectable Programmable Pattern Generator or 2-bit LUT
  - Five 8-bit delays/counters or 3-bit LUTs
  - Two 16-bit delays/counters or 4-bit LUTs
  - Two Deglitch Filters with Edge Detectors
- Asynchronous State Machine
  - Eight States
  - Flexible input logic from state transitions
- Serial Communications
  - I<sup>2</sup>C Protocol compliant
- Pipe Delay – 16 stage/3 output (Part of Combination Function Macrocell)
- Programmable Delay
- Two Oscillators (OSC)
  - Configurable 25 kHz/2 MHz
  - 25 MHz RC Oscillator
- Crystal Oscillator
- Power-On-Reset (POR)
- Eight Byte RAM + OTP User Memory
  - RAM Memory space that is readable and writable via I<sup>2</sup>C
  - User defined initial values transferred from OTP
- Analog Temperature Sensor

## 2.0 Pin Description

### 2.1 Functional Pin Description

| STQFN<br>20L Pin # | MSTQFN<br>22L Pin# | Pin<br>Name | Signal<br>Name                     | Function                    | Input<br>Options                      | Output<br>Options         |
|--------------------|--------------------|-------------|------------------------------------|-----------------------------|---------------------------------------|---------------------------|
| 1                  | 16                 | VDD         | VDD                                | Power Supply                | --                                    | --                        |
| 2                  | 1                  | IO0         | IO0                                | General Purpose Input       | Digital Input without Schmitt Trigger | --                        |
|                    |                    |             |                                    |                             | Digital Input with Schmitt Trigger    | --                        |
|                    |                    |             |                                    |                             | Low Voltage Digital Input             | --                        |
| 3                  | 2                  | IO1         | IO1                                | General Purpose IO with OE* | Digital Input without Schmitt Trigger | Push-Pull (1x) (2x)       |
|                    |                    |             |                                    |                             | Digital Input with Schmitt Trigger    | Open Drain NMOS (1x) (2x) |
|                    |                    |             |                                    |                             | Low Voltage Digital Input             | --                        |
| 4                  | 3                  | IO2         | IO2                                | General Purpose IO          | Digital Input without Schmitt Trigger | Push-Pull (1x) (2x)       |
|                    |                    |             |                                    |                             | Digital Input with Schmitt Trigger    | Open Drain NMOS (1x) (2x) |
|                    |                    |             |                                    |                             | Low Voltage Digital Input             | Open Drain PMOS (1x) (2x) |
| 5                  | 4                  | IO3         | IO3                                | General Purpose IO with OE* | Digital Input without Schmitt Trigger | Push-Pull (1x) (2x)       |
|                    |                    |             |                                    |                             | Digital Input with Schmitt Trigger    | Open Drain NMOS (1x) (2x) |
|                    |                    |             |                                    |                             | Low Voltage Digital Input             | --                        |
| 6                  | 5                  | IO4         | IO4                                | General Purpose IO          | Digital Input without Schmitt Trigger | Push-Pull (1x) (2x)       |
|                    |                    |             |                                    |                             | Digital Input with Schmitt Trigger    | Open Drain NMOS (1x) (2x) |
|                    |                    |             |                                    |                             | Low Voltage Digital Input             | Open Drain PMOS (1x) (2x) |
|                    |                    | ACMP0+      | Analog Comparator 0 Positive Input | Analog                      | --                                    |                           |
| 7                  | 6                  | IO5         | IO5                                | General Purpose IO with OE* | Digital Input without Schmitt Trigger | Push-Pull (1x) (2x)       |
|                    |                    |             |                                    |                             | Digital Input with Schmitt Trigger    | Open Drain NMOS (1x) (2x) |
|                    |                    |             |                                    |                             | Low Voltage Digital Input             | --                        |
|                    |                    | ACMP0-      | Analog Comparator 0 Negative Input | Analog                      | --                                    |                           |

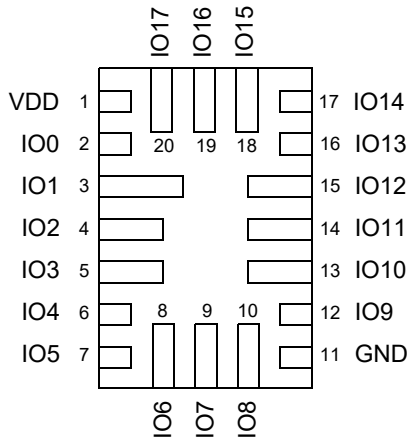
| STQFN<br>20L Pin # | MSTQFN<br>22L Pin# | Pin<br>Name | Signal<br>Name | Function                           | Input<br>Options                      | Output<br>Options              |
|--------------------|--------------------|-------------|----------------|------------------------------------|---------------------------------------|--------------------------------|
| 8                  | 19                 | IO6         | IO6            | General Purpose IO                 | Digital Input without Schmitt Trigger | Open Drain NMOS (1x) (2x)      |
|                    |                    |             |                |                                    | Digital Input with Schmitt Trigger    | --                             |
|                    |                    |             |                |                                    | Low Voltage Digital Input             | --                             |
|                    |                    |             | SCL            | I <sup>2</sup> C Serial Clock      | Digital Input without Schmitt Trigger | Open Drain NMOS                |
|                    |                    |             |                |                                    | Digital Input with Schmitt Trigger    | Open Drain NMOS                |
|                    |                    |             |                |                                    | Low Voltage Digital Input             | Open Drain NMOS                |
| 9                  | 7                  | IO7         | IO7            | General Purpose IO                 | Digital Input without Schmitt Trigger | Open Drain NMOS (1x) (2x)      |
|                    |                    |             |                |                                    | Digital Input with Schmitt Trigger    | --                             |
|                    |                    |             |                |                                    | Low Voltage Digital Input             | --                             |
|                    |                    |             | SDA            | I <sup>2</sup> C Serial Data       | Digital Input without Schmitt Trigger | Open Drain NMOS                |
|                    |                    |             |                |                                    | Digital Input with Schmitt Trigger    | Open Drain NMOS                |
|                    |                    |             |                |                                    | Low Voltage Digital Input             | Open Drain NMOS                |
| 10                 | 8                  | IO8         | IO8            | General Purpose IO with OE*        | Digital Input without Schmitt Trigger | Push-Pull (1x) (2x)            |
|                    |                    |             |                |                                    | Digital Input with Schmitt Trigger    | Open Drain NMOS (1x) (2x) (4x) |
|                    |                    |             |                |                                    | Low Voltage Digital Input             | Open Drain PMOS (1x) (2x)      |
|                    |                    |             | ACMP1+         | Analog Comparator 1 Positive Input | Analog                                | --                             |
| 11                 | 20                 | GND         | GND            | Ground                             | --                                    | --                             |
| 12                 | 21                 | IO9         | IO9            | General Purpose IO                 | Digital Input without Schmitt Trigger | Push-Pull (1x) (2x)            |
|                    |                    |             |                |                                    | Digital Input with Schmitt Trigger    | Open Drain NMOS (1x) (2x) (4x) |
|                    |                    |             |                |                                    | Low Voltage Digital Input             | --                             |
|                    |                    |             | EXT_VREF       | Analog Comparator Negative Input   | Analog                                | --                             |
| 13                 | 11                 | IO10        | IO10           | General Purpose IO with OE*        | Digital Input without Schmitt Trigger | Push-Pull (1x) (2x)            |
|                    |                    |             |                |                                    | Digital Input with Schmitt Trigger    | Open Drain NMOS (1x) (2x)      |
|                    |                    |             |                |                                    | Low Voltage Digital Input             | --                             |
|                    |                    |             | ACMP2+         | Analog Comparator 2 Positive Input | Analog                                | --                             |
|                    |                    |             | ACMP3+         | Analog Comparator 3 Positive Input | Analog                                | --                             |

| STQFN<br>20L Pin #        | MSTQFN<br>22L Pin#                    | Pin<br>Name | Signal<br>Name                        | Function                                 | Input<br>Options                         | Output<br>Options            |
|---------------------------|---------------------------------------|-------------|---------------------------------------|--|--|------------------------------|
| 14                        | 12                                    | IO11        | IO11                                  | General Purpose IO<br>with OE*           | Digital Input without Schmitt Trigger    | Push-Pull (1x) (2x)          |
|                           |                                       |             |                                       |  | Digital Input<br>with Schmitt Trigger    | Open Drain NMOS<br>(1x) (2x) |
|                           |                                       |             |                                       |  | Low Voltage Digital Input                | --                           |
|                           |                                       | ACMP2-      | Analog Comparator 2<br>Negative Input | Analog                                   | --                                       |                              |
| ACMP3-                    | Analog Comparator 3<br>Negative Input | Analog      | --                                    |  |  |                              |
| 15                        | 22                                    | IO12        | IO12                                  | General Purpose IO                       | Digital Input without<br>Schmitt Trigger | Push-Pull (1x) (2x)          |
|                           |                                       |             |                                       |  | Digital Input<br>with Schmitt Trigger    | Open Drain NMOS<br>(1x) (2x) |
|                           |                                       |             |                                       |  | Low Voltage Digital Input                | Open Drain PMOS<br>(1x) (2x) |
|                           |                                       | ACMP3+      | Analog Comparator 3<br>Positive Input | Analog                                   | --                                       |                              |
| 16                        | 13                                    | IO13        | IO13                                  | General Purpose IO<br>with OE*           | Digital Input without<br>Schmitt Trigger | Push-Pull (1x) (2x)          |
|                           |                                       |             |                                       |  | Digital Input<br>with Schmitt Trigger    | Open Drain NMOS<br>(1x) (2x) |
|                           |                                       |             |                                       |  | Low Voltage Digital Input                | --                           |
|                           |                                       | XTAL0       | External Crystal<br>Connection 0      | --                                       | Analog                                   |                              |
| 17                        | 14                                    | IO14        | IO14                                  | General Purpose IO                       | Digital Input without<br>Schmitt Trigger | Push-Pull (1x) (2x)          |
|                           |                                       |             |                                       |  | Digital Input<br>with Schmitt Trigger    | Open Drain NMOS<br>(1x) (2x) |
|                           |                                       |             |                                       |  | Low Voltage Digital Input                | Open Drain PMOS<br>(1x) (2x) |
|                           |                                       | XTAL1       | External Crystal<br>Connection 1      | Analog                                   | --                                       |                              |
|                           |                                       | EXT_CLK0    | External Clock<br>Connection 0        | Digital Input without<br>Schmitt Trigger | --                                       |                              |
|                           |                                       |             |                                       | Digital Input<br>with Schmitt Trigger    | --                                       |                              |
| Low Voltage Digital Input | --                                    |             |                                       |  |  |                              |

| STQFN<br>20L Pin #        | MSTQFN<br>22L Pin# | Pin<br>Name | Signal<br>Name             | Function                       | Input<br>Options                      | Output<br>Options         |
|---------------------------|--------------------|-------------|----------------------------|--------------------------------|---------------------------------------|---------------------------|
| 18                        | 18                 | IO15        | IO15                       | General Purpose IO<br>with OE* | Digital Input without Schmitt Trigger | Push-Pull (1x) (2x)       |
|                           |                    |             |                            |                                | Digital Input with Schmitt Trigger    | Open Drain NMOS (1x) (2x) |
|                           |                    |             |                            |                                | Low Voltage Digital Input             | --                        |
|                           |                    |             | VREF0                      | Voltage Reference 0 Output     | --                                    | Analog                    |
|                           |                    |             | EXT_CLK1                   | External Clock Connection 1    | Digital Input without Schmitt Trigger | --                        |
|                           |                    |             |                            |                                | Digital Input with Schmitt Trigger    | --                        |
| Low Voltage Digital Input | --                 |             |                            |                                |                                       |                           |
| 19                        | 15                 | IO16        | IO16                       | General Purpose IO<br>with OE* | Digital Input without Schmitt Trigger | Push-Pull (1x) (2x)       |
|                           |                    |             |                            |                                | Digital Input with Schmitt Trigger    | Open Drain NMOS (1x) (2x) |
|                           |                    |             |                            |                                | Low Voltage Digital Input             | --                        |
|                           |                    | VREF0       | Voltage Reference 0 Output | --                             | Analog                                |                           |
| 20                        | 17                 | IO17        | IO17                       | General Purpose IO             | Digital Input without Schmitt Trigger | Push-Pull (1x) (2x)       |
|                           |                    |             |                            |                                | Digital Input with Schmitt Trigger    | Open Drain NMOS (1x) (2x) |
|                           |                    |             |                            |                                | Low Voltage Digital Input             | Open Drain PMOS (1x) (2x) |
|                           |                    |             | EXT_CLK2                   | External Clock Connection 2    | Digital Input without Schmitt Trigger | --                        |
|                           |                    |             |                            |                                | Digital Input with Schmitt Trigger    | --                        |
|                           |                    |             |                            |                                | Low Voltage Digital Input             | --                        |
| --                        | 9                  | NC          | NC                         | No Connection                  | --                                    | --                        |
| --                        | 10                 | NC          | NC                         | No Connection                  | --                                    | --                        |

Note: \* General Purpose IO's with OE can be used to implement bidirectional signals under user control via Connection Matrix to OE signal in IO structure.

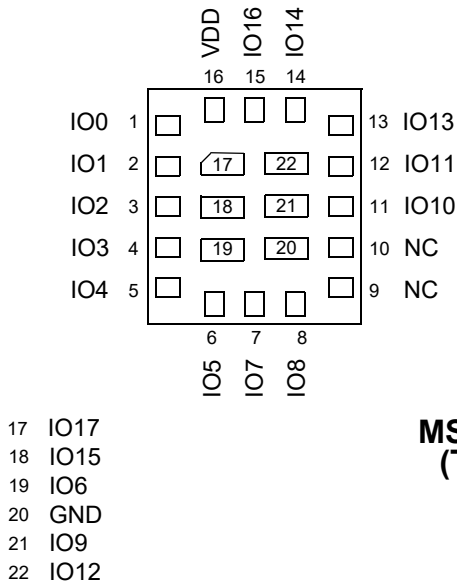
2.2 Pin Configuration - STQFN20L



STQFN-20  
(Top View)

| Pin # | Signal Name | Pin Functions                            |
|-------|-------------|--|
| 1     | VDD         |  |
| 2     | IO0         | GPI                                      |
| 3     | IO1         | GPIO with OE                             |
| 4     | IO2         | GPIO                                     |
| 5     | IO3         | GPIO with OE                             |
| 6     | IO4         | GPIO / ACMP0+                            |
| 7     | IO5         | GPIO with OE / ACMP0-                    |
| 8     | IO6         | GPIO / SCL                               |
| 9     | IO7         | GPIO / SDA                               |
| 10    | IO8         | GPIO with OE / ACMP1+                    |
| 11    | GND         | GND                                      |
| 12    | IO9         | GPIO / ACMP0- / ACMP1- / ACMP2- / ACMP3- |
| 13    | IO10        | GPIO with OE / ACMP2+ / ACMP3+           |
| 14    | IO11        | GPIO with OE / ACMP2- / ACMP3-           |
| 15    | IO12        | GPIO / ACMP3+                            |
| 16    | IO13        | GPIO with OE / XTAL0                     |
| 17    | IO14        | GPIO / XTAL1 / EXT_CLK0                  |
| 18    | IO15        | GPIO with OE / VREF0 / EXT_CLK1          |
| 19    | IO16        | GPIO with OE / VREF0                     |
| 20    | IO17        | GPIO / EXT_CLK2                          |

2.3 Pin Configuration - MSTQFN-22L



MSTQFN-22L  
(Top View)

| Pin # | Signal Name | Pin Functions                            |
|-------|-------------|--|
| 1     | IO0         | GPI                                      |
| 2     | IO1         | GPIO with OE                             |
| 3     | IO2         | GPIO                                     |
| 4     | IO3         | GPIO with OE                             |
| 5     | IO4         | GPIO / ACMP0+                            |
| 6     | IO5         | GPIO with OE                             |
| 7     | IO7         | GPIO / SDA                               |
| 8     | IO8         | GPIO with OE / ACMP1+                    |
| 9     | NC          |  |
| 10    | NC          |  |
| 11    | IO10        | GPIO with OE / ACMP2+ / ACMP3+           |
| 12    | IO11        | GPIO with OE / ACMP2- / ACMP3-           |
| 13    | IO13        | GPIO with OE / XTAL0                     |
| 14    | IO14        | GPIO / XTAL1 / EXT_CLK0                  |
| 15    | IO16        | GPIO with OE / VREF0                     |
| 16    | VDD         |  |
| 17    | IO17        | GPIO / EXT_CLK2                          |
| 18    | IO15        | GPIO with OE / VREF0 / EXT_CLK1          |
| 19    | IO6         | GPIO / SCL                               |
| 20    | GND         | GND                                      |
| 21    | IO9         | GPIO / ACMP0- / ACMP1- / ACMP2- / ACMP3- |
| 22    | IO12        | GPIO / ACMP3+                            |

Legend:

- OE: Output Enable
- ACMPx+: ACMPx Positive Input
- ACMPx-: ACMPx Negative Input
- SCL/OD: I<sup>2</sup>C Clock Input/ NMOS Open Drain Output Only
- SDA/OD: I<sup>2</sup>C Data Input/ NMOS Open Drain Output Only
- VREFx: Voltage Reference Output
- EXT\_CLKx: External Clock Input

### 3.0 User Programmability

The SLG46537 is a user programmable device with One-Time-Programmable (OTP) memory elements that are able to construct combinatorial logic elements. Three of the IO Pins provide a connection for the bit patterns into the OTP on board memory. A programming development kit allows the user the ability to create initial devices. Once the design is finalized, the programming code (.gpx file) is forwarded to Renesas Electronics Corporation to integrate into a production process.

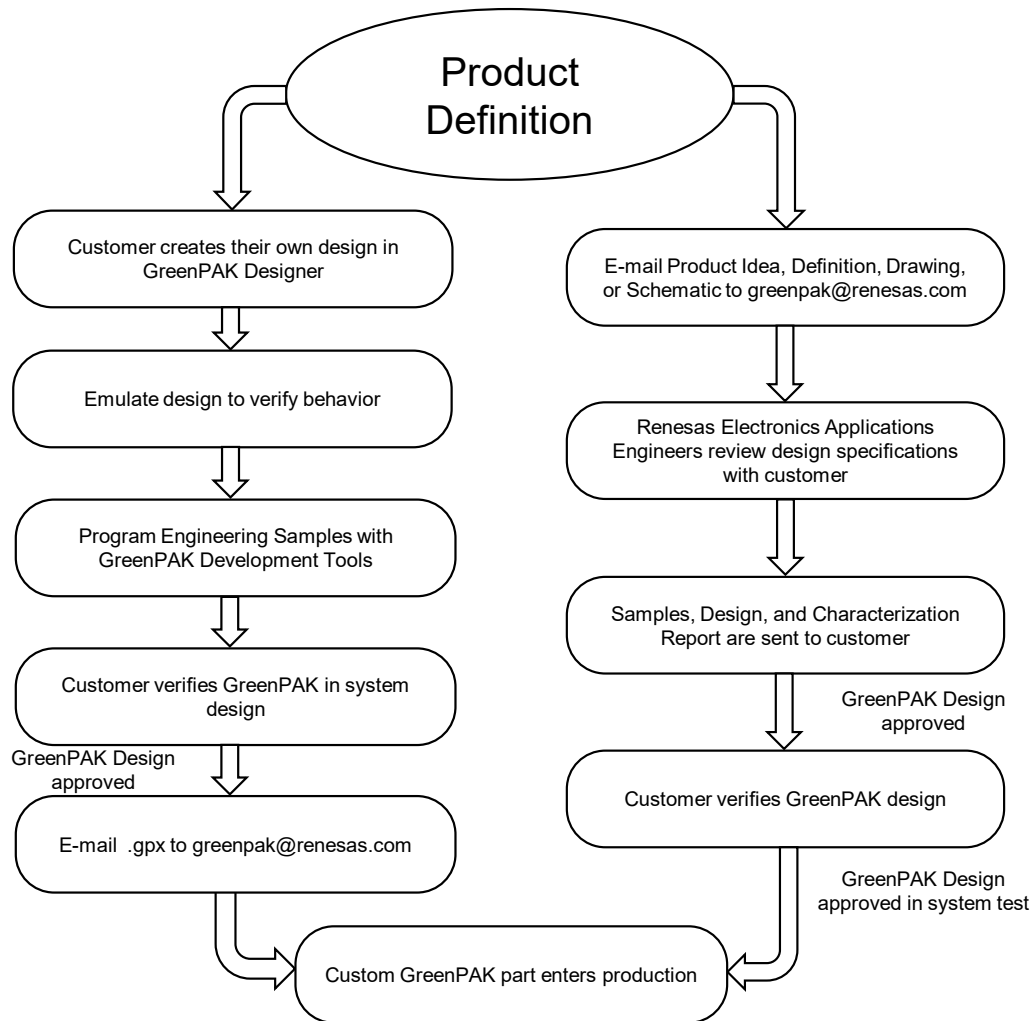


Figure 1. Steps to create a custom GreenPAK device



## 4.0 Ordering Information

| Part Number | Type                                     |
|-------------|--|
| SLG46537V   | 20-pin STQFN                             |
| SLG46537VTR | 20-pin STQFN - Tape and Reel (3k units)  |
| SLG46537M   | 22-pin MSTQFN                            |
| SLG46537MTR | 22-pin MSTQFN - Tape and Reel (3k units) |

*Note 1: Use SLG46537V or SLG46537M to order. Shipments are automatically in Tape and Reel.*

*Note 2: "TR" suffix is no longer used. It is a legacy naming convention shown here only for informational purposes.*

## 5.0 Electrical Specifications

### 5.1 Absolute Maximum Conditions

| Parameter                                      |              | Min.      | Max.           | Unit |
|--|--------------|-----------|----------------|------|
| Supply voltage on $V_{DD}$ relative to GND     |              | -0.5      | 7              | V    |
| DC Input voltage                               |              | GND - 0.5 | $V_{DD} + 0.5$ | V    |
| Maximum Average or DC Current<br>(Through pin) | Push-Pull 1x | --        | 11             | mA   |
|  | Push-Pull 2x | --        | 16             |      |
|  | OD 1x        | --        | 11             |      |
|  | OD 2x        | --        | 21             |      |
|  | OD 4x        | --        | 43             |      |
| Current at Input Pin                           |              | -1.0      | 1.0            | mA   |
| Storage Temperature Range                      |              | -65       | 150            | °C   |
| Junction Temperature                           |              | --        | 150            | °C   |
| ESD Protection (Human Body Model)              |              | 2000      | --             | V    |
| ESD Protection (Charged Device Model)          |              | 1300      | --             | V    |
| Moisture Sensitivity Level                     |              | 1         |                |      |

### 5.2 Electrical Characteristics (1.8 V $\pm 5\%$ $V_{DD}$ )

| Symbol     | Parameter                          | Condition/Note                             | Min. | Typ. | Max.     | Unit |
|------------|------------------------------------|--|------|------|----------|------|
| $V_{DD}$   | Supply Voltage                     |  | 1.71 | 1.80 | 1.89     | V    |
| $T_A$      | Operating Temperature              |  | -40  | 25   | 85       | °C   |
| $V_{PP}$   | Programming Voltage                |  | 7.25 | 7.50 | 7.75     | V    |
| $V_{ACMP}$ | ACMP Input Voltage Range           | Positive Input                             | 0    | --   | $V_{DD}$ | V    |
|            |                                    | Negative Input                             | 0    | --   | 1.2      | V    |
| $V_{IH}$   | HIGH-Level Input Voltage           | Logic Input                                | 1.06 | --   | $V_{DD}$ | V    |
|            |                                    | Logic Input with Schmitt Trigger           | 1.28 | --   | $V_{DD}$ | V    |
|            |                                    | Low-Level Logic Input                      | 0.94 | --   | $V_{DD}$ | V    |
| $V_{IL}$   | LOW-Level Input Voltage            | Logic Input                                | 0    | --   | 0.76     | V    |
|            |                                    | Logic Input with Schmitt Trigger           | 0    | --   | 0.49     | V    |
|            |                                    | Low-Level Logic Input                      | 0    | --   | 0.52     | V    |
| $V_{HYS}$  | Schmitt Trigger Hysteresis Voltage | Logic Input with Schmitt Trigger           | 0.10 | 0.41 | 0.66     | V    |
| $I_{LKG}$  | Input leakage<br>(Absolute Value)  |  | --   | 1    | 1000     | nA   |
| $V_{OH}$   | HIGH-Level Output Voltage          | Push-Pull, $I_{OH} = 100 \mu A$ , 1X Drive | 1.69 | 1.79 | --       | V    |
|            |                                    | PMOS OD, $I_{OH} = 100 \mu A$ , 1X Drive   | 1.69 | 1.79 | --       | V    |
|            |                                    | Push-Pull, $I_{OH} = 100 \mu A$ , 2X Drive | 1.70 | 1.79 | --       | V    |
|            |                                    | PMOS OD, $I_{OH} = 100 \mu A$ , 2X Drive   | 1.70 | 1.79 | --       | V    |

| Symbol              | Parameter   | Condition/Note   | Min. | Typ.  | Max.            | Unit |
|---------------------|---|--|------|-------|-----------------|------|
| V <sub>OL</sub>     | LOW-Level Output Voltage  | Push-Pull, I <sub>OL</sub> = 100 μA, 1X Drive                | --   | 0.009 | 0.013           | V    |
|                     |   | Push-Pull, I <sub>OL</sub> = 100 μA, 2X Drive                | --   | 0.004 | 0.006           | V    |
|                     |   | Open Drain, I <sub>OL</sub> = 100 μA, 1X Drive               | --   | 0.006 | 0.009           | V    |
|                     |   | Open Drain, I <sub>OL</sub> = 100 μA, 2X Drive               | --   | 0.003 | 0.004           | V    |
|                     |   | Open Drain NMOS 4X, I <sub>OL</sub> = 100 μA                 | --   | 0.001 | 0.002           | V    |
| I <sub>OH</sub>     | HIGH-Level Output Pulse Current (see Note 1)  | Push-Pull, V <sub>OH</sub> = V <sub>DD</sub> - 0.2, 1X Drive | 1.07 | 1.70  | --              | mA   |
|                     |   | PMOS OD, V <sub>OH</sub> = V <sub>DD</sub> - 0.2, 1X Drive   | 1.07 | 1.70  | --              | mA   |
|                     |   | Push-Pull, V <sub>OH</sub> = V <sub>DD</sub> - 0.2, 2X Drive | 2.22 | 3.41  | --              | mA   |
|                     |   | PMOS OD, V <sub>OH</sub> = V <sub>DD</sub> - 0.2, 2X Drive   | 2.22 | 3.41  | --              | mA   |
| I <sub>OL</sub>     | LOW-Level Output Pulse Current (see Note 1)   | Push-Pull, V <sub>OL</sub> = 0.15 V, 1X Drive                | 0.92 | 1.69  | --              | mA   |
|                     |   | Push-Pull, V <sub>OL</sub> = 0.15 V, 2X Drive                | 1.83 | 3.38  | --              | mA   |
|                     |   | Open Drain, V <sub>OL</sub> = 0.15 V, 1X Drive               | 1.38 | 2.53  | --              | mA   |
|                     |   | Open Drain, V <sub>OL</sub> = 0.15 V, 2X Drive               | 2.75 | 5.07  | --              | mA   |
|                     |   | Open Drain NMOS 4X, V <sub>OL</sub> = 0.15 V                 | 7.21 | 9.00  | --              | mA   |
| I <sub>VDD</sub>    | Maximum Average or DC Current Through V <sub>DD</sub> Pin (Per chip side, see Note 2) | T <sub>J</sub> = 85°C  | --   | --    | 45              | mA   |
|                     |   | T <sub>J</sub> = 110°C                                       | --   | --    | 22              | mA   |
| I <sub>GND</sub>    | Maximum Average or DC Current Through GND Pin (Per chip side, see Note 2)             | T <sub>J</sub> = 85°C  | --   | --    | 86              | mA   |
|                     |   | T <sub>J</sub> = 110°C                                       | --   | --    | 41              | mA   |
| V <sub>O</sub>      | Maximal Voltage Applied to any PIN in High-Impedance State                            |  | --   | --    | V <sub>DD</sub> | V    |
| T <sub>SU</sub>     | Startup Time  | From V <sub>DD</sub> rising past PON <sub>THR</sub>          | 0.63 | 1.36  | 1.87            | ms   |
| PON <sub>THR</sub>  | Power On Threshold  | V <sub>DD</sub> Level Required to Start Up the Chip          | 1.41 | 1.54  | 1.66            | V    |
| POFF <sub>THR</sub> | Power Off Threshold   | V <sub>DD</sub> Level Required to Switch Off the Chip        | 1.00 | 1.15  | 1.31            | V    |
| R <sub>PUP</sub>    | Pull Up Resistance  | 1 M Pull Up  | --   | 1     | --              | MΩ   |
|                     |   | 100 k Pull Up  | --   | 100   | --              | kΩ   |
|                     |   | 10 k Pull Up   | --   | 10    | --              | kΩ   |
| R <sub>PDWN</sub>   | Pull Down Resistance  | 1 M Pull Down  | --   | 1     | --              | MΩ   |
|                     |   | 100 k Pull Down  | --   | 100   | --              | kΩ   |
|                     |   | 10 k Pull Down   | --   | 10    | --              | kΩ   |

Note 1: DC or average current through any pin should not exceed value given in Absolute Maximum Conditions.

Note 2: The GreenPAK's power rails are divided in two sides. IOs 0, 1, 2, 3, 4, 5, 6, 7 and 8 are connected to one side, IOs 9, 10, 11, 12, 13, 14, 15, 16 and 17 to another.

**5.3 Electrical Characteristics (3.3 V  $\pm$ 10%  $V_{DD}$ )**

| Symbol     | Parameter  | Condition/Note                         | Min.  | Typ.  | Max.     | Unit |
|------------|--|--|-------|-------|----------|------|
| $V_{DD}$   | Supply Voltage   |  | 3.0   | 3.3   | 3.6      | V    |
| $T_A$      | Operating Temperature  |  | -40   | 25    | 85       | °C   |
| $V_{PP}$   | Programming Voltage  |  | 7.25  | 7.50  | 7.75     | V    |
| $V_{ACMP}$ | ACMP Input Voltage Range   | Positive Input                         | 0     | --    | $V_{DD}$ | V    |
|            |  | Negative Input                         | 0     | --    | 1.2      | V    |
| $V_{IH}$   | HIGH-Level Input Voltage   | Logic Input                            | 1.81  | --    | $V_{DD}$ | V    |
|            |  | Logic Input with Schmitt Trigger       | 2.14  | --    | $V_{DD}$ | V    |
|            |  | Low-Level Logic Input                  | 1.06  | --    | $V_{DD}$ | V    |
| $V_{IL}$   | LOW-Level Input Voltage  | Logic Input                            | 0     | --    | 1.31     | V    |
|            |  | Logic Input with Schmitt Trigger       | 0     | --    | 0.97     | V    |
|            |  | Low-Level Logic Input                  | 0     | --    | 0.67     | V    |
| $V_{HYS}$  | Schmitt Trigger Hysteresis Voltage   | Logic Input with Schmitt Trigger       | 0.29  | 0.62  | 0.94     | V    |
| $I_{LGK}$  | Input leakage (Absolute Value)   |  | --    | 1     | 1000     | nA   |
| $V_{OH}$   | HIGH-Level Output Voltage  | Push-Pull, $I_{OH} = 3$ mA, 1X Drive   | 2.70  | 3.12  | --       | V    |
|            |  | PMOS OD, $I_{OH} = 3$ mA, 1X Drive     | 2.70  | 3.12  | --       | V    |
|            |  | Push-Pull, $I_{OH} = 3$ mA, 2X Drive   | 2.85  | 3.21  | --       | V    |
|            |  | PMOS OD, $I_{OH} = 3$ mA, 2X Drive     | 2.86  | 3.21  | --       | V    |
| $V_{OL}$   | LOW-Level Output Voltage   | Push-Pull, $I_{OL} = 3$ mA, 1X Drive   | --    | 0.13  | 0.23     | V    |
|            |  | Push-Pull, $I_{OL} = 3$ mA, 2X Drive   | --    | 0.06  | 0.11     | V    |
|            |  | Open Drain, $I_{OL} = 3$ mA, 1X Drive  | --    | 0.08  | 0.15     | V    |
|            |  | Open Drain, $I_{OL} = 3$ mA, 2X Drive  | --    | 0.04  | 0.08     | V    |
|            |  | Open Drain NMOS 4X, $I_{OL} = 3$ mA    | --    | 0.02  | 0.04     | V    |
| $I_{OH}$   | HIGH-Level Output Pulse Current (see Note 1)                                   | Push-Pull, $V_{OH} = 2.4$ V, 1X Drive  | 6.05  | 12.08 | --       | mA   |
|            |  | PMOS OD, $V_{OH} = 2.4$ V, 1X Drive    | 6.05  | 12.08 | --       | mA   |
|            |  | Push-Pull, $V_{OH} = 2.4$ V, 2X Drive  | 11.54 | 24.16 | --       | mA   |
|            |  | PMOS OD, $V_{OH} = 2.4$ V, 2X Drive    | 11.52 | 24.16 | --       | mA   |
| $I_{OL}$   | LOW-Level Output Pulse Current (see Note 1)                                    | Push-Pull, $V_{OL} = 0.4$ V, 1X Drive  | 4.88  | 8.24  | --       | mA   |
|            |  | Push-Pull, $V_{OL} = 0.4$ V, 2X Drive  | 9.75  | 16.49 | --       | mA   |
|            |  | Open Drain, $V_{OL} = 0.4$ V, 1X Drive | 7.31  | 12.37 | --       | mA   |
|            |  | Open Drain, $V_{OL} = 0.4$ V, 2X Drive | 14.54 | 24.74 | --       | mA   |
|            |  | Open Drain NMOS 4X, $V_{OL} = 0.4$ V   | 31.32 | 41.06 | --       | mA   |
| $I_{VDD}$  | Maximum Average or DC Current Through $V_{DD}$ Pin (Per chip side, see Note 2) | $T_J = 85^\circ\text{C}$               | --    | --    | 45       | mA   |
|            |  | $T_J = 110^\circ\text{C}$              | --    | --    | 22       | mA   |
| $I_{GND}$  | Maximum Average or DC Current Through GND Pin (Per chip side, see Note 2)      | $T_J = 85^\circ\text{C}$               | --    | --    | 86       | mA   |
|            |  | $T_J = 110^\circ\text{C}$              | --    | --    | 41       | mA   |

| Symbol       | Parameter  | Condition/Note                                 | Min. | Typ. | Max.     | Unit      |
|--------------|--|--|------|------|----------|-----------|
| $V_O$        | Maximal Voltage Applied to any PIN in High-Impedance State |  | --   | --   | $V_{DD}$ | V         |
| $T_{SU}$     | Startup Time   | From $V_{DD}$ rising past $PON_{THR}$          | 0.61 | 1.24 | 1.65     | ms        |
| $PON_{THR}$  | Power On Threshold   | $V_{DD}$ Level Required to Start Up the Chip   | 1.41 | 1.54 | 1.66     | V         |
| $POFF_{THR}$ | Power Off Threshold  | $V_{DD}$ Level Required to Switch Off the Chip | 1.00 | 1.15 | 1.31     | V         |
| $R_{PUP}$    | Pull Up Resistance   | 1 M Pull Up                                    | --   | 1    | --       | $M\Omega$ |
|              |  | 100 k Pull Up                                  | --   | 100  | --       | $k\Omega$ |
|              |  | 10 k Pull Up                                   | --   | 10   | --       | $k\Omega$ |
| $R_{PDWN}$   | Pull Down Resistance                                       | 1 M Pull Down                                  | --   | 1    | --       | $M\Omega$ |
|              |  | 100 k Pull Down                                | --   | 100  | --       | $k\Omega$ |
|              |  | 10 k Pull Down                                 | --   | 10   | --       | $k\Omega$ |

Note 1: DC or average current through any pin should not exceed value given in Absolute Maximum Conditions.  
 Note 2: The GreenPAK's power rails are divided in two sides. IOs 0, 1, 2, 3, 4, 5, 6, 7 and 8 are connected to one side, IOs 9, 10, 11, 12, 13, 14, 15, 16 and 17 to another.

**5.4 Electrical Characteristics (5 V ±10% V<sub>DD</sub>)**

| Symbol            | Parameter   | Condition/Note                                | Min.  | Typ.  | Max.            | Unit |
|-------------------|---|---|-------|-------|-----------------|------|
| V <sub>DD</sub>   | Supply Voltage  |   | 4.5   | 5.0   | 5.5             | V    |
| T <sub>A</sub>    | Operating Temperature   |   | -40   | 25    | 85              | °C   |
| V <sub>PP</sub>   | Programming Voltage   |   | 7.25  | 7.50  | 7.75            | V    |
| V <sub>ACMP</sub> | ACMP Input Voltage Range  | Positive Input                                | 0     | --    | V <sub>DD</sub> | V    |
|                   |   | Negative Input                                | 0     | --    | 1.2             | V    |
| V <sub>IH</sub>   | HIGH-Level Input Voltage  | Logic Input                                   | 2.68  | --    | V <sub>DD</sub> | V    |
|                   |   | Logic Input with Schmitt Trigger              | 3.34  | --    | V <sub>DD</sub> | V    |
|                   |   | Low-Level Logic Input                         | 1.15  | --    | V <sub>DD</sub> | V    |
| V <sub>IL</sub>   | LOW-Level Input Voltage   | Logic Input                                   | 0     | --    | 1.96            | V    |
|                   |   | Logic Input with Schmitt Trigger              | 0     | --    | 1.41            | V    |
|                   |   | Low-Level Logic Input                         | 0     | --    | 0.77            | V    |
| V <sub>HYS</sub>  | Schmitt Trigger Hysteresis Voltage  | Logic Input with Schmitt Trigger              | 0.44  | 0.90  | 1.38            | V    |
| I <sub>LGK</sub>  | Input leakage (Absolute Value)  |   | --    | 1     | 1000            | nA   |
| V <sub>OH</sub>   | HIGH-Level Output Voltage   | Push-Pull, I <sub>OH</sub> = 5 mA, 1X Drive   | 4.15  | 4.76  | --              | V    |
|                   |   | PMOS OD, I <sub>OH</sub> = 5 mA, 1X Drive     | 4.16  | 4.76  | --              | V    |
|                   |   | Push-Pull, I <sub>OH</sub> = 5 mA, 2X Drive   | 4.32  | 4.89  | --              | V    |
|                   |   | PMOS OD, I <sub>OH</sub> = 5 mA, 2X Drive     | 4.33  | 4.89  | --              | V    |
| V <sub>OL</sub>   | LOW-Level Output Voltage  | Push-Pull, I <sub>OL</sub> = 5 mA, 1X Drive   | --    | 0.19  | 0.24            | V    |
|                   |   | Push-Pull, I <sub>OL</sub> = 5 mA, 2X Drive   | --    | 0.09  | 0.12            | V    |
|                   |   | Open Drain, I <sub>OL</sub> = 5 mA, 1X Drive  | --    | 0.12  | 0.16            | V    |
|                   |   | Open Drain, I <sub>OL</sub> = 5 mA, 2X Drive  | --    | 0.07  | 0.08            | V    |
|                   |   | Open Drain NMOS 4X, I <sub>OL</sub> = 5 mA    | --    | 0.03  | 0.05            | V    |
| I <sub>OH</sub>   | HIGH-Level Output Pulse Current (see Note 1)  | Push-Pull, V <sub>OH</sub> = 2.4 V, 1X Drive  | 22.08 | 34.04 | --              | mA   |
|                   |   | PMOS OD, V <sub>OH</sub> = 2.4 V, 1X Drive    | 22.08 | 34.04 | --              | mA   |
|                   |   | Push-Pull, V <sub>OH</sub> = 2.4 V, 2X Drive  | 41.76 | 68.08 | --              | mA   |
|                   |   | PMOS OD, V <sub>OH</sub> = 2.4 V, 2X Drive    | 41.69 | 68.08 | --              | mA   |
| I <sub>OL</sub>   | LOW-Level Output Pulse Current (see Note 1)   | Push-Pull, V <sub>OL</sub> = 0.4 V, 1X Drive  | 7.22  | 11.58 | --              | mA   |
|                   |   | Push-Pull, V <sub>OL</sub> = 0.4 V, 2X Drive  | 13.83 | 23.16 | --              | mA   |
|                   |   | Open Drain, V <sub>OL</sub> = 0.4 V, 1X Drive | 10.82 | 17.38 | --              | mA   |
|                   |   | Open Drain, V <sub>OL</sub> = 0.4 V, 2X Drive | 17.34 | 34.76 | --              | mA   |
|                   |   | Open Drain NMOS 4X, V <sub>OL</sub> = 0.4 V   | 41.06 | 55.18 | --              | mA   |
| I <sub>VDD</sub>  | Maximum Average or DC Current Through V <sub>DD</sub> Pin (Per chip side, see Note 2) | T <sub>J</sub> = 85°C                         | --    | --    | 45              | mA   |
|                   |   | T <sub>J</sub> = 110°C                        | --    | --    | 22              | mA   |
| I <sub>GND</sub>  | Maximum Average or DC Current Through GND Pin (Per chip side, see Note 2)             | T <sub>J</sub> = 85°C                         | --    | --    | 86              | mA   |
|                   |   | T <sub>J</sub> = 110°C                        | --    | --    | 41              | mA   |

| Symbol       | Parameter  | Condition/Note                                 | Min. | Typ. | Max.     | Unit      |
|--------------|--|--|------|------|----------|-----------|
| $V_O$        | Maximal Voltage Applied to any PIN in High-Impedance State |  | --   | --   | $V_{DD}$ | V         |
| $T_{SU}$     | Startup Time   | From $V_{DD}$ rising past $PON_{THR}$          | 0.60 | 1.23 | 1.61     | ms        |
| $PON_{THR}$  | Power On Threshold   | $V_{DD}$ Level Required to Start Up the Chip   | 1.41 | 1.54 | 1.66     | V         |
| $POFF_{THR}$ | Power Off Threshold  | $V_{DD}$ Level Required to Switch Off the Chip | 1.00 | 1.15 | 1.31     | V         |
| $R_{PUP}$    | Pull Up Resistance   | 1 M Pull Up                                    | --   | 1    | --       | $M\Omega$ |
|              |  | 100 k Pull Up                                  | --   | 100  | --       | $k\Omega$ |
|              |  | 10 k Pull Up                                   | --   | 10   | --       | $k\Omega$ |
| $R_{PDWN}$   | Pull Down Resistance                                       | 1 M Pull Down                                  | --   | 1    | --       | $M\Omega$ |
|              |  | 100 k Pull Down                                | --   | 100  | --       | $k\Omega$ |
|              |  | 10 k Pull Down                                 | --   | 10   | --       | $k\Omega$ |

Note 1: DC or average current through any pin should not exceed value given in Absolute Maximum Conditions.

Note 2: The GreenPAK's power rails are divided in two sides. IOs 0, 1, 2, 3, 4, 5, 6, 7 and 8 are connected to one side, IOs 9, 10, 11, 12, 13, 14, 15, 16 and 17 to another.

### 5.5 I<sup>2</sup>C Specifications

| Symbol        | Parameter                                 | Condition/Note             | Min. | Typ. | Max. | Unit |
|---------------|---|----------------------------|------|------|------|------|
| $F_{SCL}$     | Clock Frequency, SCL                      | $V_{DD} = (1.71...5.5) V$  | --   | --   | 400  | kHz  |
| $t_{LOW}$     | Clock Pulse Width Low                     | $V_{DD} = (1.71...5.5) V$  | 1300 | --   | --   | ns   |
| $t_{HIGH}$    | Clock Pulse Width High                    | $V_{DD} = (1.71...5.5) V$  | 600  | --   | --   | ns   |
| $t_i$         | Input Filter Spike Suppression (SCL, SDA) | $V_{DD} = 1.8 V \pm 5 \%$  | --   | --   | 95   | ns   |
|               |   | $V_{DD} = 3.3 V \pm 10 \%$ | --   | --   | 95   |      |
|               |   | $V_{DD} = 5.0 V \pm 10 \%$ | --   | --   | 111  |      |
| $t_{AA}$      | Clock Low to Data Out Valid               | $V_{DD} = (1.71...5.5) V$  | --   | --   | 900  | ns   |
| $t_{BUF}$     | Bus Free Time between Stop and Start      | $V_{DD} = (1.71...5.5) V$  | 1300 | --   | --   | ns   |
| $t_{HD\_STA}$ | Start Hold Time                           | $V_{DD} = (1.71...5.5) V$  | 600  | --   | --   | ns   |
| $t_{SU\_STA}$ | Start Set-up Time                         | $V_{DD} = (1.71...5.5) V$  | 600  | --   | --   | ns   |
| $t_{HD\_DAT}$ | Data Hold Time                            | $V_{DD} = (1.71...5.5) V$  | 0    | --   | --   | ns   |
| $t_{SU\_DAT}$ | Data Set-up Time                          | $V_{DD} = (1.71...5.5) V$  | 100  | --   | --   | ns   |
| $t_R$         | Inputs Rise Time                          | $V_{DD} = (1.71...5.5) V$  | --   | --   | 300  | ns   |
| $t_F$         | Inputs Fall Time                          | $V_{DD} = (1.71...5.5) V$  | --   | --   | 300  | ns   |
| $t_{SU\_STO}$ | Stop Set-up Time                          | $V_{DD} = (1.71...5.5) V$  | 600  | --   | --   | ns   |
| $t_{DH}$      | Data Out Hold Time                        | $V_{DD} = (1.71...5.5) V$  | 50   | --   | --   | ns   |

**5.6 Asynchronous State Machine (ASM) Specifications**
**Table 1. ASM Specifications**

| Symbol        | Parameter  | Condition                        | Min | Typ | Max | Unit |
|---------------|--|----------------------------------|-----|-----|-----|------|
| tst_out_delay | Asynchronous State Machine Output Delay Time           | $V_{DD} = 1.8\text{ V} \pm 5\%$  | 104 | --  | 213 | ns   |
|               |  | $V_{DD} = 3.3\text{ V} \pm 10\%$ | 44  | --  | 89  |      |
|               |  | $V_{DD} = 5.0\text{ V} \pm 10\%$ | 32  | --  | 58  |      |
| tst_out       | Asynchronous State Machine Output Transition Time      | $V_{DD} = 1.8\text{ V} \pm 5\%$  | --  | --  | 165 | ns   |
|               |  | $V_{DD} = 3.3\text{ V} \pm 10\%$ | --  | --  | 70  |      |
|               |  | $V_{DD} = 5.0\text{ V} \pm 10\%$ | --  | --  | 45  |      |
| tst_pulse     | Asynchronous State Machine Input Pulse Acceptance Time | $V_{DD} = 1.8\text{ V} \pm 5\%$  | 14  | --  | --  | ns   |
|               |  | $V_{DD} = 3.3\text{ V} \pm 10\%$ | 6   | --  | --  |      |
|               |  | $V_{DD} = 5.0\text{ V} \pm 10\%$ | 5   | --  | --  |      |
| tst_comp      | Asynchronous State Machine Input Compete Time          | $V_{DD} = 1.8\text{ V} \pm 5\%$  | --  | --  | 20  | ns   |
|               |  | $V_{DD} = 3.3\text{ V} \pm 10\%$ | --  | --  | 8   |      |
|               |  | $V_{DD} = 5.0\text{ V} \pm 10\%$ | --  | --  | 5   |      |

**5.7 IDD Estimator**
**Table 2. Typical Current Estimated for Each Macrocell at T = 25°C**

| Symbol | Parameter | Note                                | $V_{DD} = 1.8\text{ V}$ | $V_{DD} = 3.3\text{ V}$ | $V_{DD} = 5.0\text{ V}$ | Unit          |
|--------|-----------|-------------------------------------|-------------------------|-------------------------|-------------------------|---------------|
| I      | Current   | Chip Quiescent                      | 0.45                    | 0.75                    | 1.12                    | $\mu\text{A}$ |
|        |           | OSC 2 MHz, predivide = 1            | 41.48                   | 64.00                   | 94.89                   | $\mu\text{A}$ |
|        |           | OSC 2 MHz, predivide = 8            | 25.68                   | 32.41                   | 43.22                   | $\mu\text{A}$ |
|        |           | OSC 25 kHz, predivide = 1           | 7.16                    | 7.94                    | 9.25                    | $\mu\text{A}$ |
|        |           | OSC 25 kHz, predivide = 8           | 6.97                    | 7.60                    | 8.68                    | $\mu\text{A}$ |
|        |           | OSC 25 MHz, predivide = 1           | 87.25                   | 238.27                  | 428.66                  | $\mu\text{A}$ |
|        |           | OSC 25 MHz, predivide = 1, Force On | 87.25                   | 238.27                  | 428.67                  | $\mu\text{A}$ |
|        |           | OSC 25 MHz, predivide = 8           | 78.01                   | 212.45                  | 390.17                  | $\mu\text{A}$ |
|        |           | ACMP (each)                         | 54.96                   | 52.64                   | 60.81                   | $\mu\text{A}$ |
|        |           | ACMP with buffer (each)             | 75.06                   | 72.74                   | 81.25                   | $\mu\text{A}$ |
|        |           | Vref (each)                         | 49.70                   | 47.32                   | 55.60                   | $\mu\text{A}$ |
|        |           | Vref with buffer (each)             | 71.93                   | 71.27                   | 79.62                   | $\mu\text{A}$ |



**5.8 Timing Estimator**
**Table 3. Typical Delay Estimated for Each Macrocell at T = 25°C**

| Symbol | Parameter   | Note  | V <sub>DD</sub> = 1.8 V |         | V <sub>DD</sub> = 3.3 V |         | V <sub>DD</sub> = 5.0 V |         | Unit |
|--------|-------------|---|-------------------------|---------|-------------------------|---------|-------------------------|---------|------|
|        |             |   | rising                  | falling | rising                  | falling | rising                  | falling |      |
| tpd    | Delay       | Digital Input to PP 1X                      | 45                      | 50      | 19                      | 21      | 14                      | 15      | ns   |
| tpd    | Delay       | Digital Input with Schmitt Trigger to PP 1X | 44                      | 49      | 19                      | 21      | 14                      | 15      | ns   |
| tpd    | Delay       | Low Voltage Digital input to PP 1X          | 46                      | 447     | 19                      | 195     | 14                      | 134     | ns   |
| tpd    | Delay       | Digital input to PMOS output                | 44                      | -       | 19                      | -       | 14                      | -       | ns   |
| tpd    | Delay       | Digital input to NMOS output                | -                       | 81      | -                       | 30      | -                       | 20      | ns   |
| tpd    | Delay       | Output enable from pin, OE Hi-Z to 1        | 48                      | -       | 20                      | -       | 15                      | -       | ns   |
| tpd    | Delay       | Output enable from pin, OE Hi-Z to 0        | -                       | 46      | -                       | 20      | -                       | 14      | ns   |
| tpd    | Delay       | LUT2bit(LATCH)                              | 34                      | 33      | 14                      | 13      | 10                      | 9       | ns   |
| tpd    | Delay       | LATCH(LUT2bit)                              | 30                      | 34      | 14                      | 13      | 10                      | 9       | ns   |
| tpd    | Delay       | LUT3bit(LATCH)                              | 38                      | 37      | 18                      | 15      | 13                      | 10      | ns   |
| tpd    | Delay       | LATCH+nRESET(LUT3bit)                       | 45                      | 42      | 21                      | 17      | 15                      | 12      | ns   |
| tpd    | Delay       | LATCH                                       | 33                      | 35      | 14                      | 14      | 11                      | 10      | ns   |
| tpd    | Delay       | LUT4bit                                     | 28                      | 33      | 14                      | 13      | 10                      | 9       | ns   |
| tpd    | Delay       | LUT2bit                                     | 31                      | 31      | 14                      | 13      | 10                      | 9       | ns   |
| tpd    | Delay       | LUT3bit                                     | 35                      | 33      | 15                      | 13      | 11                      | 10      | ns   |
| tpd    | Delay       | CNT/DLY Logic                               | 62                      | 68      | 27                      | 29      | 19                      | 20      | ns   |
| tpd    | Delay       | DFF   | 32                      | 28      | 14                      | 12      | 11                      | 9       | ns   |
| tpd    | Delay       | P_DLY1C                                     | 367                     | 356     | 165                     | 160     | 123                     | 119     | ns   |
| tpd    | Delay       | P_DLY2C                                     | 667                     | 656     | 303                     | 297     | 225                     | 221     | ns   |
| tpd    | Delay       | P_DLY3C                                     | 968                     | 956     | 440                     | 434     | 327                     | 322     | ns   |
| tpd    | Delay       | P_DLY4C                                     | 1265                    | 1252    | 576                     | 570     | 428                     | 423     | ns   |
| tpd    | Delay       | Filter                                      | 213                     | 210     | 84                      | 83      | 55                      | 55      | ns   |
| tpd    | Delay       | ACMP (5 mV overdrive, IN- = 600 mV)         | 1600                    | 1900    | 1500                    | 1800    | 1600                    | 1800    | ns   |
| tw     | Pulse Width | IO with 1X push pull (min transmitted)      | 20                      | 20      | 20                      | 20      | 20                      | 20      | ns   |
| tw     | Pulse Width | filter (min transmitted)                    | 150                     | 150     | 55                      | 55      | 35                      | 35      | ns   |

**5.9 Typical Counter/Delay Offset Measurements**
**Table 4. Typical Counter/Delay Offset Measurements**

| Parameter                           | RC OSC Freq | RC OSC Power | V <sub>DD</sub> = 1.8 V | V <sub>DD</sub> = 3.3 V | V <sub>DD</sub> = 5.0 V | Unit |
|-------------------------------------|-------------|--------------|-------------------------|-------------------------|-------------------------|------|
| Offset (Power On Delay)             | 25 kHz      | auto         | 1.6                     | 1.6                     | 1.6                     | μs   |
| Offset (Power On Delay), fast start | 25 kHz      | auto         | 2.1                     | 2.1                     | 2.1                     | μs   |
| Offset (Power On Delay)             | 2 MHz       | auto         | 0.4                     | 0.2                     | 0.2                     | μs   |
| Offset (Power On Delay), fast start | 2 MHz       | auto         | 0.7                     | 0.5                     | 0.4                     | μs   |
| Offset (Power On Delay)             | 25 MHz      | auto         | 0.01                    | 0.05                    | 0.04                    | μs   |
| Frequency settling time             | 25 kHz      | auto         | 19                      | 14                      | 12                      | μs   |
| Frequency settling time             | 2 MHz       | auto         | 14                      | 14                      | 14                      | μs   |
| Variable (CLK period)               | 25 kHz      | forced       | 0-40                    | 0-40                    | 0-40                    | μs   |

**Table 4. Typical Counter/Delay Offset Measurements**

| Parameter                          | RC OSC Freq      | RC OSC Power | V <sub>DD</sub> = 1.8 V | V <sub>DD</sub> = 3.3 V | V <sub>DD</sub> = 5.0 V | Unit |
|------------------------------------|------------------|--------------|-------------------------|-------------------------|-------------------------|------|
| Variable (CLK period)              | 2 MHz            | forced       | 0-0.5                   | 0-0.5                   | 0-0.5                   | μs   |
| Variable (CLK period)              | 25 MHz           |              | 0-0.04                  | 0-0.04                  | 0-0.04                  | μs   |
| T <sub>pd</sub> (non-delayed edge) | 25 kHz/<br>2 MHz | either       | 35                      | 14                      | 10                      | ns   |

**5.10 Expected Delays and Widths**
**Table 5. Expected Delays and Widths (typical)**

| Symbol | Parameter           | Note                                      | V <sub>DD</sub> = 1.8 V | V <sub>DD</sub> = 3.3 V | V <sub>DD</sub> = 5.0 V | Unit |
|--------|---------------------|---|-------------------------|-------------------------|-------------------------|------|
| tw     | Pulse Width, 1 cell | mode:(any)edge detect, edge detect output | 296                     | 135                     | 101                     | ns   |
| tw     | Pulse Width, 2 cell | mode:(any)edge detect, edge detect output | 597                     | 272                     | 203                     | ns   |
| tw     | Pulse Width, 3 cell | mode:(any)edge detect, edge detect output | 898                     | 410                     | 305                     | ns   |
| tw     | Pulse Width, 4 cell | mode:(any)edge detect, edge detect output | 1195                    | 546                     | 407                     | ns   |
| time1  | Delay, 1 cell       | mode:(any)edge detect, edge detect output | 55                      | 24                      | 18                      | ns   |
| time1  | Delay, 2 cell       | mode:(any)edge detect, edge detect output | 55                      | 24                      | 18                      | ns   |
| time1  | Delay, 3 cell       | mode:(any)edge detect, edge detect output | 55                      | 24                      | 18                      | ns   |
| time1  | Delay, 4 cell       | mode:(any)edge detect, edge detect output | 55                      | 24                      | 18                      | ns   |
| time2  | Delay, 1 cell       | mode: both edge delay, edge detect output | 367                     | 165                     | 106                     | ns   |
| time2  | Delay, 2 cell       | mode: both edge delay, edge detect output | 667                     | 300                     | 193                     | ns   |
| time2  | Delay, 3 cell       | mode: both edge delay, edge detect output | 968                     | 440                     | 279                     | ns   |
| time2  | Delay, 4 cell       | mode: both edge delay, edge detect output | 1265                    | 575                     | 365                     | ns   |

**5.11 Typical Pulse Width Performance**
**Table 6. Typical Pulse Width Performance at T = 25°C**

| Parameter                         | V <sub>DD</sub> = 1.8 V | V <sub>DD</sub> = 3.3 V | V <sub>DD</sub> = 5.0 V | Unit |
|-----------------------------------|-------------------------|-------------------------|-------------------------|------|
| Filtered Pulse Width for Filter 0 | < 114                   | < 47                    | < 30                    | ns   |
| Filtered Pulse Width for Filter 1 | <75                     | <30                     | <19                     | ns   |

**5.12 OSC Specifications**
**Table 7. 25 kHz RC OSC0 frequency limits**

| Power Supply Range<br>(V <sub>DD</sub> ) V | Temperature Range  |                    |                    |                    |                    |                    |
|--|--------------------|--------------------|--------------------|--------------------|--------------------|--------------------|
|  | +25 °C             |                    | 0 °C ... +85 °C    |                    | -40 °C ... +85 °C  |                    |
|  | Minimum Value, kHz | Maximum Value, kHz | Minimum Value, kHz | Maximum Value, kHz | Minimum Value, kHz | Maximum Value, kHz |
| 1.8 V ±5%                                  | 23.792             | 26.288             | 23.275             | 27.089             | 21.728             | 29.173             |
| 3.3 V ±10%                                 | 24.473             | 25.526             | 23.357             | 26.028             | 23.357             | 27.002             |
| 5 V ±10%                                   | 24.316             | 25.939             | 23.309             | 26.177             | 23.309             | 27.181             |
| 2.5 V ... 4.5 V                            | 24.438             | 25.559             | 23.336             | 26.051             | 23.336             | 27.038             |
| 1.71 V... 5.5 V                            | 23.354             | 26.670             | 22.828             | 27.483             | 21.301             | 29.545             |

**Table 8. 25 kHz RC OSC0 frequency error (error calculated relative to nominal value)**

| Power Supply Range<br>(V <sub>DD</sub> ) V | Temperature Range    |                      |                      |                      |                      |                      |
|--|----------------------|----------------------|----------------------|----------------------|----------------------|----------------------|
|  | +25 °C               |                      | 0 °C ... +85 °C      |                      | -40 °C ... +85 °C    |                      |
|  | Error (% at Minimum) | Error (% at Maximum) | Error (% at Minimum) | Error (% at Maximum) | Error (% at Minimum) | Error (% at Maximum) |
| 1.8 V ±5%                                  | -4.83%               | 5.15%                | -6.90%               | 8.36%                | -13.09%              | 16.69%               |
| 3.3 V ±10%                                 | -2.11%               | 2.10%                | -6.57%               | 4.11%                | -6.57%               | 8.01%                |
| 5 V ±10%                                   | -2.73%               | 3.76%                | -6.76%               | 4.71%                | -6.76%               | 8.72%                |
| 2.5 V ... 4.5 V                            | -2.25%               | 2.24%                | -6.66%               | 4.21%                | -6.66%               | 8.15%                |
| 1.71 V... 5.5 V                            | -6.58%               | 6.68%                | -8.69%               | 9.93%                | -14.80%              | 18.18%               |

**5.12.1 2 MHz RC Oscillator**
**Table 9. 2 MHz RC OSC0 frequency limits**

| Power Supply Range<br>(V <sub>DD</sub> ) V | Temperature Range  |                    |                    |                    |                    |                    |
|--|--------------------|--------------------|--------------------|--------------------|--------------------|--------------------|
|  | +25 °C             |                    | 0 °C ... +85 °C    |                    | -40 °C ... +85 °C  |                    |
|  | Minimum Value, MHz | Maximum Value, MHz | Minimum Value, MHz | Maximum Value, MHz | Minimum Value, MHz | Maximum Value, MHz |
| 1.8 V ±5%                                  | 1.915              | 2.062              | 1.832              | 2.103              | 1.810              | 2.144              |
| 3.3 V ±10%                                 | 1.937              | 2.070              | 1.858              | 2.132              | 1.813              | 2.145              |
| 5 V ±10%                                   | 1.894              | 2.233              | 1.853              | 2.270              | 1.767              | 2.270              |
| 2.5 V ... 4.5 V                            | 1.907              | 2.124              | 1.836              | 2.171              | 1.784              | 2.171              |
| 1.71 V... 5.5 V                            | 1.760              | 2.274              | 1.706              | 2.305              | 1.629              | 2.305              |

**Table 10. 2 MHz RC OSC0 frequency error (error calculated relative to nominal value)**

| Power Supply Range<br>(V <sub>DD</sub> ) V | Temperature Range    |                      |                      |                      |                      |                      |
|--|----------------------|----------------------|----------------------|----------------------|----------------------|----------------------|
|  | +25 °C               |                      | 0 °C ... +85 °C      |                      | -40 °C ... +85 °C    |                      |
|  | Error (% at Minimum) | Error (% at Maximum) | Error (% at Minimum) | Error (% at Maximum) | Error (% at Minimum) | Error (% at Maximum) |
| 1.8 V ±5%                                  | -4.26%               | 3.12%                | -8.38%               | 5.17%                | -9.50%               | 7.20%                |
| 3.3 V ±10%                                 | -3.14%               | 3.49%                | -7.10%               | 6.58%                | -9.33%               | 7.24%                |
| 5 V ±10%                                   | -5.31%               | 11.66%               | -7.37%               | 13.50%               | -11.67%              | 13.50%               |
| 2.5 V ... 4.5 V                            | -4.65%               | 6.18%                | -8.22%               | 8.57%                | -10.81%              | 8.57%                |
| 1.71 V... 5.5 V                            | -12.01%              | 13.72%               | -14.69%              | 15.23%               | -18.57%              | 15.23%               |

**5.12.2 25 MHz RC Oscillator**
**Table 11. 25 MHz RC OSC1 frequency limits**

| Power Supply Range<br>( $V_{DD}$ ) V | Temperature Range  |                    |                    |                    |                    |                    |
|--------------------------------------|--------------------|--------------------|--------------------|--------------------|--------------------|--------------------|
|                                      | +25 °C             |                    | 0 °C ... +85 °C    |                    | -40 °C ... +85 °C  |                    |
|                                      | Minimum Value, MHz | Maximum Value, MHz | Minimum Value, MHz | Maximum Value, MHz | Minimum Value, MHz | Maximum Value, MHz |
| 2.5 V $\pm$ 10%                      | 22.316             | 27.220             | 21.771             | 27.572             | 21.771             | 27.912             |
| 3.3 V $\pm$ 10%                      | 23.430             | 26.220             | 22.389             | 26.679             | 22.389             | 27.014             |
| 5 V $\pm$ 10%                        | 23.289             | 26.651             | 22.500             | 27.305             | 22.500             | 27.486             |
| 2.5 V ... 4.5 V                      | 23.383             | 26.220             | 20.725             | 26.679             | 20.725             | 27.014             |
| 1.71 V... 5.5 V                      | 12.643             | 26.220             | 12.203             | 26.679             | 11.317             | 27.014             |

**Table 12. 25 MHz RC OSC1 frequency error (error calculated relative to nominal value)**

| Power Supply Range<br>( $V_{DD}$ ) V | Temperature Range    |                      |                      |                      |                      |                      |
|--------------------------------------|----------------------|----------------------|----------------------|----------------------|----------------------|----------------------|
|                                      | +25 °C               |                      | 0 °C ... +85 °C      |                      | -40 °C ... +85 °C    |                      |
|                                      | Error (% at Minimum) | Error (% at Maximum) | Error (% at Minimum) | Error (% at Maximum) | Error (% at Minimum) | Error (% at Maximum) |
| 2.5 V $\pm$ 10%                      | -10.73%              | 8.88%                | -12.92%              | 10.29%               | -12.92%              | 11.65%               |
| 3.3 V $\pm$ 10%                      | -6.28%               | 4.88%                | -10.44%              | 6.72%                | -10.44%              | 8.06%                |
| 5 V $\pm$ 10%                        | -6.84%               | 6.61%                | -10.00%              | 9.22%                | -10.00%              | 9.95%                |
| 2.5 V ... 4.5 V                      | -14.47%              | 4.88%                | -17.10%              | 6.72%                | -17.10%              | 8.06%                |
| 1.71 V... 5.5 V                      | -49.43%              | 4.88%                | -51.19%              | 6.72%                | -54.73%              | 8.06%                |

Note: 25 MHz RC OSC1 performance is not guaranteed at  $V_{DD} < 2.5$  V.

**5.12.3 OSC Power On delay**
**Table 13. Oscillators Power On delay at room temperature, DLY/CNT Counter data = 100; RC OSC power setting: "Auto Power On", RC osc clock to matrix input: "Enable"**

| Power Supply Range (V <sub>DD</sub> ) V | RC OSC0 2 MHz     |                   | RC OSC0 25 kHz    |                   | RC OSC1           |                   |
|---|-------------------|-------------------|-------------------|-------------------|-------------------|-------------------|
|   | Typical Value, ns | Maximum Value, ns | Typical Value, μs | Maximum Value, μs | Typical Value, ns | Maximum Value, ns |
| 1.71                                    | 372.7             | 407.3             | 0.40              | 0.57              | 71.2              | 87.3              |
| 1.80                                    | 349.2             | 379.5             | 0.38              | 0.41              | 65.0              | 78.7              |
| 1.89                                    | 330.3             | 358.0             | 0.35              | 0.41              | 59.7              | 71.3              |
| 2.30                                    | 277.2             | 298.1             | 0.29              | 0.31              | 43.0              | 54.0              |
| 2.50                                    | 262.0             | 281.9             | 0.28              | 0.30              | 39.6              | 48.1              |
| 2.70                                    | 250.2             | 269.8             | 0.26              | 0.30              | 36.7              | 43.5              |
| 3.00                                    | 236.6             | 256.7             | 0.25              | 0.44              | 33.2              | 39.8              |
| 3.30                                    | 226.7             | 247.4             | 0.23              | 0.47              | 30.4              | 36.8              |
| 3.60                                    | 219.0             | 239.9             | 0.22              | 0.46              | 28.2              | 34.3              |
| 4.20                                    | 207.4             | 229.2             | 0.37              | 0.50              | 25.8              | 30.6              |
| 4.50                                    | 202.8             | 224.5             | 1.63              | 1.92              | 25.0              | 29.2              |
| 5.00                                    | 196.3             | 218.7             | 1.67              | 2.05              | 24.3              | 27.5              |
| 5.50                                    | 190.8             | 213.3             | 1.69              | 1.99              | 23.7              | 26.8              |

**Table 14. Oscillators Power On delay at room temperature, DLY/CNT Counter data = 100; RC OSC power setting: "Auto Power On", RC osc clock to matrix input: "Enable", Fast Start-up Time Mode**

| Power Supply Range (V <sub>DD</sub> ) V | RC OSC0 2 MHz     |                   | RC OSC1 25 kHz    |                   |
|---|-------------------|-------------------|-------------------|-------------------|
|   | Typical Value, ns | Maximum Value, ns | Typical Value, μs | Maximum Value, μs |
| 1.71                                    | 327.9             | 360.0             | 0.68              | 0.76              |
| 1.80                                    | 309.9             | 338.3             | 0.64              | 0.64              |
| 1.89                                    | 295.5             | 323.1             | 0.61              | 0.70              |
| 2.30                                    | 254.9             | 278.1             | 0.53              | 21.93             |
| 2.50                                    | 243.1             | 266.1             | 3.23              | 21.88             |
| 2.70                                    | 234.1             | 257.1             | 16.68             | 21.94             |
| 3.00                                    | 223.7             | 246.8             | 19.25             | 21.90             |
| 3.30                                    | 215.7             | 239.1             | 19.22             | 21.77             |
| 3.60                                    | 209.4             | 232.9             | 19.21             | 21.74             |
| 4.20                                    | 199.5             | 223.4             | 19.17             | 21.78             |
| 4.50                                    | 195.5             | 219.8             | 19.15             | 21.69             |
| 5.00                                    | 189.8             | 214.6             | 19.12             | 21.71             |
| 5.50                                    | 184.9             | 209.8             | 19.05             | 21.75             |

**5.13 ACMP Specifications**
**Table 15. ACMP Specifications**

| Symbol       | Parameter                 | Description/Note   | Conditions   | Min.  | Typ.  | Max.     | Unit          |
|--------------|---------------------------|--|--|-------|-------|----------|---------------|
| $V_{ACMP}$   | ACMP Input Voltage Range  | Positive Input   | $V_{DD} = 1.8\text{ V} \pm 5\%$  | 0     | --    | $V_{DD}$ | V             |
|              |                           | Negative Input   |  | 0     | --    | 1.2      | V             |
|              |                           | Positive Input   | $V_{DD} = 3.3\text{ V} \pm 10\%$   | 0     | --    | $V_{DD}$ | V             |
|              |                           | Negative Input   |  | 0     | --    | 1.2      | V             |
|              |                           | Positive Input   | $V_{DD} = 5.0\text{ V} \pm 10\%$   | 0     | --    | $V_{DD}$ | V             |
|              |                           | Negative Input   |  | 0     | --    | 1.2      | V             |
| $V_{offset}$ | ACMP Input Offset Voltage | Low Bandwidth - Enable, $V_{phys} = 0\text{ mV}$ , Gain = 1, $V_{ref} = (50..1200)\text{ mV}$ , $V_{DD} = (1.71..5.5)\text{ V}$      | $T = 25^\circ\text{C}$   | -9.1  | --    | 8.4      | mV            |
|              |                           |  | $T = (-40..85)^\circ\text{C}$  | -10.9 | --    | 10.9     | mV            |
|              |                           | Low Bandwidth - Disable, $V_{phys} = 0\text{ mV}$ , Gain = 1, $V_{ref} = (50..1200)\text{ mV}$ , $V_{DD} = (1.71..5.5)\text{ V}$     | $T = 25^\circ\text{C}$   | -7.5  | --    | 7.2      | mV            |
|              |                           |  | $T = (-40..85)^\circ\text{C}$  | -10.7 | --    | 10.5     | mV            |
| $t_{start}$  | ACMP Start Time           | ACMP Power On delay, Minimal required wake time for the "Wake and Sleep function", Regulator and Charge Pump set to automatic ON/OFF | BG = 550 $\mu\text{s}$ ,<br>$T = 25^\circ\text{C}$<br>$V_{DD} = (1.71..5.5)\text{ V}$        | --    | 609.7 | 862.2    | $\mu\text{S}$ |
|              |                           |  | BG = 550 $\mu\text{s}$ ,<br>$T = (-40..85)^\circ\text{C}$<br>$V_{DD} = (1.71..5.5)\text{ V}$ | --    | 675.0 | 1028.8   | $\mu\text{S}$ |
|              |                           |  | BG = 100 $\mu\text{s}$ ,<br>$T = 25^\circ\text{C}$<br>$V_{DD} = 2.7..5.5\text{ V}$           | --    | 132.4 | 176.2    | $\mu\text{S}$ |
|              |                           |  | BG = 100 $\mu\text{s}$ ,<br>$T = (-40..85)^\circ\text{C}$<br>$V_{DD} = 2.7..5.5\text{ V}$    | --    | 149.4 | 213.5    | $\mu\text{S}$ |
|              |                           | ACMP Power On delay, Minimal required wake time for the "Wake and Sleep function", Regulator and Charge Pump always OFF              | BG = 550 $\mu\text{s}$ ,<br>$T = 25^\circ\text{C}$<br>$V_{DD} = (3..5.5)\text{ V}$           | --    | 609.5 | 862.0    | $\mu\text{S}$ |
|              |                           |  | BG = 550 $\mu\text{s}$ ,<br>$T = (-40..85)^\circ\text{C}$<br>$V_{DD} = (3..5.5)\text{ V}$    | --    | 674.6 | 1027.5   | $\mu\text{S}$ |
|              |                           |  | BG = 100 $\mu\text{s}$ ,<br>$T = 25^\circ\text{C}$<br>$V_{DD} = 3..5.5\text{ V}$             | --    | 131.6 | 176.0    | $\mu\text{S}$ |
|              |                           |  | BG = 100 $\mu\text{s}$ ,<br>$T = (-40..85)^\circ\text{C}$<br>$V_{DD} = 3..5.5\text{ V}$      | --    | 149.2 | 213.3    | $\mu\text{S}$ |

| Symbol           | Parameter                           | Description/Note   | Conditions                          | Min.        | Typ.  | Max.   | Unit  |    |    |
|------------------|-------------------------------------|--|-------------------------------------|-------------|-------|--------|-------|----|----|
| V <sub>HYS</sub> | Built-in Hysteresis                 | V <sub>HYS</sub> = 25 mV<br>V <sub>IL</sub> = V <sub>in</sub> - V <sub>HYS</sub> /2<br>V <sub>IH</sub> = V <sub>in</sub> + V <sub>HYS</sub> /2 | LB - Enabled,<br>T = 25°C           | 7.32        | --    | 35.5   | mV    |    |    |
|                  |                                     |  | LB - Disabled,<br>T = 25°C          | 10.0        | --    | 38.5   | mV    |    |    |
|                  |                                     | V <sub>HYS</sub> = 50 mV<br>V <sub>IL</sub> = V <sub>in</sub> - V <sub>HYS</sub><br>V <sub>IH</sub> = V <sub>HYS</sub>                         | LB - Enabled,<br>T = 25°C           | 42.9        | --    | 57.8   | mV    |    |    |
|                  |                                     |  | LB - Disabled,<br>T = 25°C          | 44.2        | --    | 54.3   | mV    |    |    |
|                  |                                     | V <sub>HYS</sub> = 200 mV<br>V <sub>IL</sub> = V <sub>in</sub> - V <sub>HYS</sub><br>V <sub>IH</sub> = V <sub>HYS</sub>                        | LB - Enabled,<br>T = 25°C           | 192.7       | --    | 208.7  | mV    |    |    |
|                  |                                     |  | LB - Disabled,<br>T = 25°C          | 193.3       | --    | 204.8  | mV    |    |    |
|                  |                                     | V <sub>HYS</sub> = 25 mV<br>V <sub>IL</sub> = V <sub>in</sub> - V <sub>HYS</sub> /2<br>V <sub>IH</sub> = V <sub>in</sub> + V <sub>HYS</sub> /2 | LB - Enabled,<br>T = (-40...+85)°C  | 0.0         | --    | 58.0   | mV    |    |    |
|                  |                                     |  | LB - Disabled,<br>T = (-40...+85)°C | 0.0         | --    | 52.9   | mV    |    |    |
|                  |                                     | V <sub>HYS</sub> = 50 mV<br>V <sub>IL</sub> = V <sub>in</sub> - V <sub>HYS</sub><br>V <sub>IH</sub> = V <sub>HYS</sub>                         | LB - Enabled,<br>T = (-40...+85)°C  | 22.5        | --    | 86.9   | mV    |    |    |
|                  |                                     |  | LB - Disabled,<br>T = (-40...+85)°C | 29.2        | --    | 76.5   | mV    |    |    |
|                  |                                     | V <sub>HYS</sub> = 200 mV<br>V <sub>IL</sub> = V <sub>in</sub> - V <sub>HYS</sub><br>V <sub>IH</sub> = V <sub>HYS</sub>                        | LB - Enabled,<br>T = (-40...+85)°C  | 157.1       | --    | 251.6  | mV    |    |    |
|                  |                                     |  | LB - Disabled,<br>T = (-40...+85)°C | 160.2       | --    | 245.3  | mV    |    |    |
|                  |                                     | R <sub>sin</sub>   | Series Input Resistance             | Gain = 1x   |       | --     | 100.0 | -- | MΩ |
|                  |                                     |  |                                     | Gain = 0.5x |       | --     | 1.0   | -- | MΩ |
| Gain = 0.33x     |                                     |  |                                     | --          | 0.8   | --     | MΩ    |    |    |
| Gain = 0.25x     |                                     |  |                                     | --          | 1.0   | --     | MΩ    |    |    |
| PROP             | Propagation Delay,<br>Response Time | Low Bandwidth -<br>Enable, Gain = 1,<br>V <sub>DD</sub> = (1.71..3.3)V,<br>Overdrive = 5 mV,<br>V <sub>ref</sub> = 50 mV                       | Low to High,<br>T = (-40...+85)°C   | --          | 35.99 | 216.56 | μs    |    |    |
|                  |                                     |  | High to Low,<br>T = (-40...+85)°C   | --          | 39.36 | 208.81 | μs    |    |    |
|                  |                                     | Low Bandwidth -<br>Disable, Gain = 1,<br>V <sub>DD</sub> = (1.71..3.3)V,<br>Overdrive = 5 mV,<br>V <sub>ref</sub> = 50 mV                      | Low to High,<br>T = (-40...+85)°C   | --          | 1.85  | 3.04   | μs    |    |    |
|                  |                                     |  | High to Low,<br>T = (-40...+85)°C   | --          | 2.17  | 4.10   | μs    |    |    |
|                  |                                     | Low Bandwidth -<br>Enable, Gain = 1,<br>V <sub>DD</sub> = (3.3..5.5)V,<br>Overdrive = 5 mV,<br>V <sub>ref</sub> = 50 mV                        | Low to High,<br>T = (-40...+85)°C   | --          | 25.22 | 129.31 | μs    |    |    |
|                  |                                     |  | High to Low,<br>T = (-40...+85)°C   | --          | 28.31 | 145.47 | μs    |    |    |
|                  |                                     | Low Bandwidth -<br>Disable, Gain = 1,<br>V <sub>DD</sub> = (3.3..5.5)V,<br>Overdrive = 5 mV,<br>V <sub>ref</sub> = 50 mV                       | Low to High,<br>T = (-40...+85)°C   | --          | 1.55  | 2.63   | μs    |    |    |
|                  |                                     |  | High to Low,<br>T = (-40...+85)°C   | --          | 1.93  | 3.83   | μs    |    |    |



| Symbol  | Parameter                               | Description/Note  | Conditions                              | Min.   | Typ.    | Max.   | Unit    |
|---|---|---|---|--------|---------|--------|---------|
| PROP  | Propagation Delay, Response Time        | Low Bandwidth - Enable, Gain = 1, $V_{DD} = (1.71..3.3)V$ , Overdrive = 5 mV, $V_{ref} = 250$ mV  | Low to High, $T = (-40...+85)^{\circ}C$ | --     | 36.46   | 216.78 | $\mu s$ |
|   |   |   | High to Low, $T = (-40...+85)^{\circ}C$ | --     | 39.79   | 216.05 | $\mu s$ |
|   |   | Low Bandwidth - Disable, Gain = 1, $V_{DD} = (1.71..3.3)V$ , Overdrive = 5 mV, $V_{ref} = 250$ mV | Low to High, $T = (-40...+85)^{\circ}C$ | --     | 2.04    | 3.37   | $\mu s$ |
|   |   |   | High to Low, $T = (-40...+85)^{\circ}C$ | --     | 2.21    | 4.12   | $\mu s$ |
|   |   | Low Bandwidth - Enable, Gain = 1, $V_{DD} = (3.3..5.5)V$ , Overdrive = 5 mV, $V_{ref} = 250$ mV   | Low to High, $T = (-40...+85)^{\circ}C$ | --     | 25.81   | 132.94 | $\mu s$ |
|   |   |   | High to Low, $T = (-40...+85)^{\circ}C$ | --     | 28.65   | 142.43 | $\mu s$ |
|   |   | Low Bandwidth - Disable, Gain = 1, $V_{DD} = (3.3..5.5)V$ , Overdrive = 5 mV, $V_{ref} = 250$ mV  | Low to High, $T = (-40...+85)^{\circ}C$ | --     | 1.74    | 2.93   | $\mu s$ |
|   |   |   | High to Low, $T = (-40...+85)^{\circ}C$ | --     | 1.97    | 3.96   | $\mu s$ |
|   |   | Low Bandwidth - Enable, Gain = 1, $V_{DD} = (1.71..3.3)V$ , Overdrive = 5 mV, $V_{ref} = 600$ mV  | Low to High, $T = (-40...+85)^{\circ}C$ | --     | 37.36   | 222.82 | $\mu s$ |
|   |   |   | High to Low, $T = (-40...+85)^{\circ}C$ | --     | 40.67   | 219.61 | $\mu s$ |
|   |   | Low Bandwidth - Disable, Gain = 1, $V_{DD} = (1.71..3.3)V$ , Overdrive = 5 mV, $V_{ref} = 600$ mV | Low to High, $T = (-40...+85)^{\circ}C$ | --     | 2.23    | 4.02   | $\mu s$ |
|   |   |   | High to Low, $T = (-40...+85)^{\circ}C$ | --     | 2.23    | 4.33   | $\mu s$ |
|   |   | Low Bandwidth - Enable, Gain = 1, $V_{DD} = (3.3..5.5)V$ , Overdrive = 5 mV, $V_{ref} = 600$ mV   | Low to High, $T = (-40...+85)^{\circ}C$ | --     | 26.41   | 135.47 | $\mu s$ |
|   |   |   | High to Low, $T = (-40...+85)^{\circ}C$ | --     | 29.32   | 149.01 | $\mu s$ |
|   |   | Low Bandwidth - Disable, Gain = 1, $V_{DD} = (3.3..5.5)V$ , Overdrive = 5 mV, $V_{ref} = 600$ mV  | Low to High, $T = (-40...+85)^{\circ}C$ | --     | 1.92    | 3.53   | $\mu s$ |
|   |   |   | High to Low, $T = (-40...+85)^{\circ}C$ | --     | 2.00    | 4.25   | $\mu s$ |
|   |   | Low Bandwidth - Enable, Gain = 1, $V_{DD} = (1.71..3.3)V$ , Overdrive = 5 mV, $V_{ref} = 850$ mV  | Low to High, $T = (-40...+85)^{\circ}C$ | --     | 38.36   | 232.64 | $\mu s$ |
|   |   |   | High to Low, $T = (-40...+85)^{\circ}C$ | --     | 41.67   | 232.78 | $\mu s$ |
|   |   | Low Bandwidth - Disable, Gain = 1, $V_{DD} = (1.71..3.3)V$ , Overdrive = 5 mV, $V_{ref} = 850$ mV | Low to High, $T = (-40...+85)^{\circ}C$ | --     | 2.26    | 4.20   | $\mu s$ |
|   |   |   | High to Low, $T = (-40...+85)^{\circ}C$ | --     | 2.25    | 4.60   | $\mu s$ |
| Low Bandwidth - Enable, Gain = 1, $V_{DD} = (3.3..5.5)V$ , Overdrive = 5 mV, $V_{ref} = 850$ mV | Low to High, $T = (-40...+85)^{\circ}C$ | --  | 27.08                                   | 137.02 | $\mu s$ |        |         |
|   | High to Low, $T = (-40...+85)^{\circ}C$ | --  | 29.89                                   | 146.92 | $\mu s$ |        |         |

| Symbol | Parameter   | Description/Note   | Conditions                              | Min.   | Typ.   | Max.    | Unit    |
|--------|---|--|---|--------|--------|---------|---------|
| PROP   | Propagation Delay, Response Time  | Low Bandwidth - Disable, Gain = 1, $V_{DD} = (3.3..5.5)V$ , Overdrive = 5 mV, $V_{ref} = 850$ mV   | Low to High, $T = (-40...+85)^{\circ}C$ | --     | 1.91   | 3.57    | $\mu s$ |
|        |   |  | High to Low, $T = (-40...+85)^{\circ}C$ | --     | 1.98   | 4.34    | $\mu s$ |
|        |   | Low Bandwidth - Enable, Gain = 1, $V_{DD} = (1.71..3.3)V$ , Overdrive = 5 mV, $V_{ref} = 1200$ mV  | Low to High, $T = (-40...+85)^{\circ}C$ | --     | 103.93 | 1853.68 | $\mu s$ |
|        |   |  | High to Low, $T = (-40...+85)^{\circ}C$ | --     | 101.06 | 1656.70 | $\mu s$ |
|        |   | Low Bandwidth - Disable, Gain = 1, $V_{DD} = (1.71..3.3)V$ , Overdrive = 5 mV, $V_{ref} = 1200$ mV | Low to High, $T = (-40...+85)^{\circ}C$ | --     | 68.29  | 1753.33 | $\mu s$ |
|        |   |  | High to Low, $T = (-40...+85)^{\circ}C$ | --     | 63.06  | 1568.55 | $\mu s$ |
|        |   | Low Bandwidth - Enable, Gain = 1, $V_{DD} = (3.3..5.5)V$ , Overdrive = 5 mV, $V_{ref} = 1200$ mV   | Low to High, $T = (-40...+85)^{\circ}C$ | --     | 30.62  | 167.56  | $\mu s$ |
|        |   |  | High to Low, $T = (-40...+85)^{\circ}C$ | --     | 33.54  | 181.40  | $\mu s$ |
|        |   | Low Bandwidth - Disable, Gain = 1, $V_{DD} = (3.3..5.5)V$ , Overdrive = 5 mV, $V_{ref} = 1200$ mV  | Low to High, $T = (-40...+85)^{\circ}C$ | --     | 5.00   | 32.61   | $\mu s$ |
|        |   |  | High to Low, $T = (-40...+85)^{\circ}C$ | --     | 5.24   | 33.88   | $\mu s$ |
| G      | Gain error (including threshold and internal $V_{ref}$ error), $T = (-40...+85)^{\circ}C$ | $V_{ref} = 50...1200$ mV   | G = 1, $V_{DD} = 1.71$ V                | --     | 1      | --      |         |
|        |   |  | G = 1, $V_{DD} = 3.3$ V                 | --     | 1      | --      |         |
|        |   |  | G = 1, $V_{DD} = 5.5$ V                 | --     | 1      | --      |         |
|        |   |  | G = 0.5, $V_{DD} = 1.71$ V              | -1.00% | --     | 0.93%   |         |
|        |   |  | G = 0.5, $V_{DD} = 3.3$ V               | -0.96% | --     | 0.82%   |         |
|        |   |  | G = 0.5, $V_{DD} = 5.5$ V               | -1.04% | --     | 0.90%   |         |
|        |   |  | G = 0.33, $V_{DD} = 1.71V$              | -1.75% | --     | 2.10%   |         |
|        |   |  | G = 0.33, $V_{DD} = 3.3$ V              | -1.95% | --     | 1.69%   |         |
|        |   |  | G = 0.33, $V_{DD} = 5.5$ V              | -2.03% | --     | 1.77%   |         |
|        |   |  | G = 0.25, $V_{DD} = 1.71V$              | -1.91% | --     | 2.13%   |         |
|        |   |  | G = 0.25, $V_{DD} = 3.3$ V              | -1.98% | --     | 1.80%   |         |
|        |   |  | G = 0.25, $V_{DD} = 5.5$ V              | -2.12% | --     | 1.90%   |         |

| Symbol | Parameter                              | Description/Note               | Conditions        | Min.   | Typ. | Max.  | Unit |
|--------|--|--------------------------------|-------------------|--------|------|-------|------|
| Vref   | Internal Vref error,<br>Vref = 1200 mV | V <sub>DD</sub> = 1.8 V ± 5 %  | T = 25°C          | -0.58% | --   | 0.56% |      |
|        |  |                                | T = (-40...+85)°C | -1.01% | --   | 0.70% |      |
|        |  | V <sub>DD</sub> = 3.3 V ± 10 % | T = 25°C          | -0.59% | --   | 0.58% |      |
|        |  |                                | T = (-40...+85)°C | -1.06% | --   | 0.72% |      |
|        |  | V <sub>DD</sub> = 5.0 V ± 10 % | T = 25°C          | -0.64% | --   | 0.60% |      |
|        |  |                                | T = (-40...+85)°C | -1.16% | --   | 0.74% |      |
|        | Internal Vref error,<br>Vref = 1000 mV | V <sub>DD</sub> = 1.8 V ± 5 %  | T = 25°C          | -0.57% | --   | 0.58% |      |
|        |  |                                | T = (-40...+85)°C | -1.14% | --   | 0.76% |      |
|        |  | V <sub>DD</sub> = 3.3 V ± 10 % | T = 25°C          | -0.59% | --   | 0.58% |      |
|        |  |                                | T = (-40...+85)°C | -1.04% | --   | 0.73% |      |
|        |  | V <sub>DD</sub> = 5.0 V ± 10 % | T = 25°C          | -0.67% | --   | 0.64% |      |
|        |  |                                | T = (-40...+85)°C | -1.15% | --   | 0.73% |      |
|        | Internal Vref error,<br>Vref = 500 mV  | V <sub>DD</sub> = 1.8 V ± 5 %  | T = 25°C          | -0.64% | --   | 0.64% |      |
|        |  |                                | T = (-40...+85)°C | -1.11% | --   | 0.75% |      |
|        |  | V <sub>DD</sub> = 3.3 V ± 10 % | T = 25°C          | -0.63% | --   | 0.63% |      |
|        |  |                                | T = (-40...+85)°C | -1.10% | --   | 0.78% |      |
|        |  | V <sub>DD</sub> = 5.0 V ± 10 % | T = 25°C          | -0.72% | --   | 0.70% |      |
|        |  |                                | T = (-40...+85)°C | -1.15% | --   | 0.80% |      |

**5.14 Analog Temperature Sensor (TS) Specifications**
**Table 16. TS Output vs Temperature (output range 1)**

| T, °C | V <sub>DD</sub> = 1.8 V |             | V <sub>DD</sub> = 3.3 V |             | V <sub>DD</sub> = 5.0 V |             |
|-------|-------------------------|-------------|-------------------------|-------------|-------------------------|-------------|
|       | Typical, V              | Accuracy, % | Typical, V              | Accuracy, % | Typical, V              | Accuracy, % |
| -40   | 1.20                    | ±3.33       | 1.20                    | ±3.29       | 1.20                    | ±3.29       |
| -30   | 1.16                    | ±3.35       | 1.16                    | ±3.32       | 1.16                    | ±3.29       |
| -20   | 1.13                    | ±3.49       | 1.13                    | ±3.42       | 1.13                    | ±3.42       |
| -10   | 1.10                    | ±3.42       | 1.10                    | ±3.33       | 1.10                    | ±3.38       |
| 0     | 1.06                    | ±3.51       | 1.06                    | ±3.46       | 1.06                    | ±3.45       |
| 10    | 1.03                    | ±3.63       | 1.03                    | ±3.60       | 1.03                    | ±3.60       |
| 20    | 0.99                    | ±3.72       | 0.99                    | ±3.61       | 0.99                    | ±3.58       |
| 30    | 0.96                    | ±4.00       | 0.96                    | ±3.92       | 0.96                    | ±3.87       |
| 40    | 0.92                    | ±3.73       | 0.92                    | ±3.64       | 0.92                    | ±3.64       |
| 50    | 0.88                    | ±4.01       | 0.88                    | ±3.90       | 0.88                    | ±3.92       |
| 60    | 0.85                    | ±4.11       | 0.85                    | ±4.03       | 0.85                    | ±3.97       |
| 70    | 0.81                    | ±4.18       | 0.81                    | ±4.12       | 0.81                    | ±4.06       |
| 80    | 0.78                    | ±4.43       | 0.78                    | ±4.36       | 0.78                    | ±4.26       |
| 90    | 0.75                    | ±4.98       | 0.75                    | ±4.89       | 0.75                    | ±4.81       |

**Table 17. TS Output vs Temperature (output range 2)**

| T, °C | V <sub>DD</sub> = 1.8 V |             | V <sub>DD</sub> = 3.3 V |             | V <sub>DD</sub> = 5.0 V |             |
|-------|-------------------------|-------------|-------------------------|-------------|-------------------------|-------------|
|       | Typical, V              | Accuracy, % | Typical, V              | Accuracy, % | Typical, V              | Accuracy, % |
| -40   | 0.99                    | ±3.29       | 0.99                    | ±3.28       | 0.99                    | ±3.28       |
| -30   | 0.96                    | ±3.33       | 0.96                    | ±3.24       | 0.96                    | ±3.31       |
| -20   | 0.93                    | ±3.37       | 0.93                    | ±3.30       | 0.93                    | ±3.34       |
| -10   | 0.90                    | ±3.46       | 0.90                    | ±3.39       | 0.90                    | ±3.40       |
| 0     | 0.87                    | ±3.45       | 0.87                    | ±3.39       | 0.87                    | ±3.40       |
| 10    | 0.85                    | ±3.62       | 0.85                    | ±3.51       | 0.85                    | ±3.53       |
| 20    | 0.82                    | ±3.66       | 0.82                    | ±3.58       | 0.82                    | ±3.53       |
| 30    | 0.79                    | ±3.93       | 0.79                    | ±3.81       | 0.79                    | ±3.80       |
| 40    | 0.76                    | ±3.71       | 0.76                    | ±3.65       | 0.76                    | ±3.62       |
| 50    | 0.73                    | ±3.97       | 0.73                    | ±3.90       | 0.73                    | ±3.91       |
| 60    | 0.70                    | ±4.02       | 0.70                    | ±3.97       | 0.70                    | ±4.00       |
| 70    | 0.67                    | ±4.22       | 0.67                    | ±4.13       | 0.67                    | ±4.08       |
| 80    | 0.64                    | ±4.38       | 0.64                    | ±4.29       | 0.64                    | ±4.26       |
| 90    | 0.61                    | ±4.89       | 0.61                    | ±4.88       | 0.61                    | ±4.77       |

**Table 18. TS Output Error (output range 1)**

| V <sub>DD</sub> , V | Error at T  |             |           |            |            |            |            |
|---------------------|-------------|-------------|-----------|------------|------------|------------|------------|
|                     | -40°C,<br>% | -20°C,<br>% | 0°C,<br>% | 20°C,<br>% | 40°C,<br>% | 60°C,<br>% | 80°C,<br>% |
| 1.71                | ±3.34       | ±3.50       | ±3.56     | ±3.69      | ±3.73      | ±4.09      | ±4.43      |
| 1.80                | ±3.33       | ±3.49       | ±3.51     | ±3.72      | ±3.73      | ±4.11      | ±4.43      |
| 1.89                | ±3.33       | ±3.47       | ±3.55     | ±3.70      | ±3.72      | ±4.11      | ±4.40      |
| 2.30                | ±3.31       | ±3.46       | ±3.50     | ±3.69      | ±3.66      | ±4.05      | ±4.38      |
| 2.50                | ±3.31       | ±3.44       | ±3.51     | ±3.62      | ±3.66      | ±4.03      | ±4.36      |
| 2.70                | ±3.30       | ±3.46       | ±3.46     | ±3.64      | ±3.65      | ±3.97      | ±4.31      |
| 3.00                | ±3.31       | ±3.46       | ±3.46     | ±3.62      | ±3.64      | ±4.07      | ±4.34      |
| 3.30                | ±3.29       | ±3.42       | ±3.46     | ±3.61      | ±3.64      | ±4.03      | ±4.36      |
| 3.60                | ±3.25       | ±3.42       | ±3.46     | ±3.59      | ±3.62      | ±3.98      | ±4.34      |
| 4.20                | ±3.28       | ±3.42       | ±3.45     | ±3.62      | ±3.62      | ±4.01      | ±4.30      |
| 4.50                | ±3.32       | ±3.41       | ±3.46     | ±3.63      | ±3.62      | ±4.01      | ±4.29      |
| 5.00                | ±3.29       | ±3.42       | ±3.45     | ±3.58      | ±3.64      | ±3.97      | ±4.26      |
| 5.50                | ±3.30       | ±3.47       | ±3.50     | ±3.61      | ±3.64      | ±4.02      | ±4.31      |

**Table 19. TS Output Error (output range 2)**

| V <sub>DD</sub> , V | Error at T  |             |           |            |            |            |            |
|---------------------|-------------|-------------|-----------|------------|------------|------------|------------|
|                     | -40°C,<br>% | -20°C,<br>% | 0°C,<br>% | 20°C,<br>% | 40°C,<br>% | 60°C,<br>% | 80°C,<br>% |
| 1.71                | ±3.28       | ±3.38       | ±3.43     | ±3.67      | ±3.72      | ±4.13      | ±4.42      |
| 1.80                | ±3.29       | ±3.37       | ±3.45     | ±3.66      | ±3.71      | ±4.02      | ±4.38      |
| 1.89                | ±3.21       | ±3.38       | ±3.44     | ±3.63      | ±3.72      | ±4.06      | ±4.39      |
| 2.30                | ±3.23       | ±3.34       | ±3.46     | ±3.56      | ±3.66      | ±4.03      | ±4.32      |
| 2.50                | ±3.27       | ±3.37       | ±3.44     | ±3.59      | ±3.68      | ±4.03      | ±4.26      |
| 2.70                | ±3.24       | ±3.31       | ±3.39     | ±3.59      | ±3.65      | ±4.04      | ±4.29      |
| 3.00                | ±3.27       | ±3.33       | ±3.39     | ±3.57      | ±3.65      | ±4.02      | ±4.26      |
| 3.30                | ±3.28       | ±3.30       | ±3.39     | ±3.58      | ±3.65      | ±3.97      | ±4.29      |
| 3.60                | ±3.28       | ±3.28       | ±3.34     | ±3.58      | ±3.64      | ±3.96      | ±4.30      |
| 4.20                | ±3.23       | ±3.36       | ±3.34     | ±3.58      | ±3.62      | ±4.04      | ±4.28      |
| 4.50                | ±3.27       | ±3.31       | ±3.38     | ±3.56      | ±3.61      | ±4.03      | ±4.26      |
| 5.00                | ±3.28       | ±3.34       | ±3.40     | ±3.53      | ±3.62      | ±4.00      | ±4.26      |
| 5.50                | ±3.26       | ±3.37       | ±3.44     | ±3.57      | ±3.61      | ±4.01      | ±4.22      |

## 6.0 Summary of Macrocell Function

### 6.1 IO Pins

- Digital Input (low voltage or normal voltage, with or without Schmitt Trigger)
- Open Drain Outputs (NMOS and PMOS)
- Push Pull Outputs (1X and 2X)
- Analog IO
- 10 k $\Omega$ /100 k $\Omega$ /1 M $\Omega$  pull-up/pull-down resistors
- 40 mA Open Drain 4X Drive output

### 6.2 Connection Matrix

- Digital matrix for circuit connections based on user design

### 6.3 Analog Comparators (4 total)

- Selectable hysteresis 0 mV / 25 mV / 50 mV / 200 mV
- Wake and Sleep Control (Part of Combination Function Macrocell)

### 6.4 Voltage Reference

- Used for references on Analog Comparators
- Can also be driven to external pins

### 6.5 Combination Function Macrocells (19 total)

- Three Selectable DFF/Latch or 2-bit LUTs
- Five Selectable DFF/Latch or 3-bit LUTs
- One Selectable Pipe Delay or 3-bit LUT
- One Selectable Programmable Pattern Generator or 2-bit LUT
- Five Selectable 8-bit CNT/DLY or 3-bit LUT
- Two Selectable 16-bit CNT/DLY or 4-bit LUT or Wake and Sleep Controller
- Two Deglitch Filters with Edge Detectors

### 6.6 Asynchronous State Machine

- Eight States
- Flexible input logic from state transitions

### 6.7 Serial Communications

- I<sup>2</sup>C Protocol compliant macrocell

### 6.8 Pipe Delay (Part of Combination Function Macrocell)

- 16 stage / 3 output
- One single stage fixed output
- Two 1 to 16 stage selectable outputs

**6.9 Programmable Delay**

- 125 ns/250 ns/375 ns/500 ns @  $V_{DD} = 3.3\text{ V}$
- Includes Edge Detection function

**6.10 RC Oscillator**

- 25 kHz and 2 MHz selectable frequency
- 25 MHz RC Oscillator
- First stage divider (4): OSC/1, OSC/2, OSC/4, and OSC/8
- Second stage divider for 25 kHz and 2 MHz (5): Output to Matrix: OSC/1, OSC/2, OSC/3, OSC/4, OSC/8, OSC/12, OSC/24, OSC/64

**6.11 Crystal Oscillator**
**6.12 Eight byte RAM + OTP User Memory**

- RAM Memory space that is readable and writable via I<sup>2</sup>C

**6.13 Analog Temperature Sensor**

## 7.0 IO Pins

The SLG46537 has a total of 18 multi-function IO pins which can function as either a user defined Input or Output, as well as serving as a special function (such as voltage reference output), or serving as a signal for programming of the on-chip Non Volatile Memory (NVM).

Refer to Section 2.0 *Pin Description* for normal and programming mode pin definitions.

Normal Mode pin definitions are as follows:

- $V_{DD}$ :  $V_{DD}$  power supply
- IO0: general purpose input
- IO1: general purpose input or output with OE
- IO2: general purpose input or output
- IO3: general purpose input or output with OE
- IO4: general purpose input or output or analog comparator 0(+)
- IO5: general purpose input or output with OE or analog comparator 0(-)
- IO6: general purpose input or OD output I<sup>2</sup>C SCL
- IO7: general purpose input or OD output I<sup>2</sup>C SDA
- IO8: general purpose input or output with OE or analog comparator 1(+)
- GND: ground
- IO9: general purpose input or output or analog comparator 1(-)
- IO10: general purpose input or output with OE or analog comparator 2(+)
- IO11: general purpose input or output with OE or analog comparator 2(-)
- IO12: general purpose input or output or analog comparator 3(+)
- IO13: general purpose input or output with OE
- IO14: general purpose input or output
- IO15: general purpose input or output with OE and Vref output (VREF1)
- IO16: general purpose input or output with OE and Vref output (VREF0)
- IO17: general purpose input or output or external clock input

Programming Mode pin definitions are as follows:

- $V_{DD}$ :  $V_{DD}$  power supply
- IO0:  $V_{PP}$  programming voltage
- IO6: Programming SCL
- IO7: Programming SDA
- GND: ground
- IO13: programming mode control

Of the 18 user defined IO pins on the SLG46537, all but one of the pins (IO0) can serve as both digital input and digital output. IO0 can only serve as a digital input pin.

### 7.1 Input Modes

Each IO pin can be configured as a digital input pin with/without buffered Schmitt Trigger, or can also be configured as a low voltage digital input. IOs 4, 5, 8, 9, 10, 11, and 12 can also be configured to serve as analog inputs to the on-chip comparators. IOs 15 and 16 can also be configured as analog reference voltage inputs.

### 7.2 Output Modes

IOs 1, 2, 3, 4, 5, 6, 7, 8, 9, 10, 11, 12, 13, 14, 15, 16, and 17 can all be configured as digital output pins.

### 7.3 Pull Up/Down Resistors

All IO pins have the option for user selectable resistors connected to the input structure. The selectable values on these resistors are 10 k $\Omega$ , 100 k $\Omega$  and 1 M $\Omega$ . In the case of IO0, the resistors are fixed to a pull-down configuration. In the case of all other IO pins, the internal resistors can be configured as either pull-up or pull-downs.



**7.4 IO Register Settings**
**7.4.1 IO0 Register Settings**
**Table 20. IO0 Register Settings**

| Signal Function                        | Register Bit Address | Register Definition  |
|--|----------------------|--|
| IO0 Pull Down Resistor Value Selection | <1028:1029>          | 00: Floating<br>01: 10 kΩ Resistor<br>10: 100 kΩ Resistor<br>11: 1 MΩ Resistor   |
| IO0 Mode Control                       | <1030:1031>          | 00: Digital Input without Schmitt Trigger<br>01: Digital Input with Schmitt Trigger<br>10: Low Voltage Digital Input<br>11: Reserved |

**7.4.2 IO1 Register Settings**
**Table 21. IO1 Register Settings**

| Signal Function                           | Register Bit Address | Register Definition  |
|---|----------------------|--|
| IO1 Pull Up/Down Resistor Selection       | <1033>               | 0: Pull Down Resistor<br>1: Pull Up Resistor   |
| IO1 Pull Up/Down Resistor Value Selection | <1035:1034>          | 00: Floating<br>01: 10 kΩ Resistor<br>10: 100 kΩ Resistor<br>11: 1 MΩ Resistor   |
| IO1 Mode Control (sig_io1_oe = 0)         | <1037:1036>          | 00: Digital Input without Schmitt Trigger<br>01: Digital Input with Schmitt Trigger<br>10: Low Voltage Digital Input<br>11: Reserved |
| IO1 Mode Control (sig_io1_oe = 1)         | <1039:1038>          | 00: Push Pull 1X<br>01: Push Pull 2X<br>10: Open Drain NMOS 1X<br>11: Open Drain NMOS 2X   |

**7.4.3 IO2 Register Settings**
**Table 22. IO2 Register Settings**

| Signal Function                           | Register Bit Address | Register Definition   |
|---|----------------------|---|
| IO2 Driver Strength Selection             | <1041>               | 0: 1X<br>1: 2X  |
| IO2 Pull Up/Down Resistor Selection       | <1042>               | 0: Pull Down Resistor<br>1: Pull Up Resistor  |
| IO2 Pull Up/Down Resistor Value Selection | <1044:1043>          | 00: Floating<br>01: 10 kΩ Resistor<br>10: 100 kΩ Resistor<br>11: 1 MΩ Resistor  |
| IO2 Mode Control                          | <1047:1045>          | 000: Digital Input without Schmitt Trigger<br>001: Digital Input with Schmitt Trigger<br>010: Low Voltage Digital Input<br>011: Reserved<br>100: Push Pull<br>101: Open Drain NMOS<br>110: Open Drain PMOS<br>111: Reserved |

**7.4.4 IO3 Register Settings**
**Table 23. IO3 Register Settings**

| Signal Function                           | Register Bit Address | Register Definition  |
|---|----------------------|--|
| IO3 Pull Up/Down Resistor Selection       | <1049>               | 0: Pull Down Resistor<br>1: Pull Up Resistor   |
| IO3 Pull Up/Down Resistor Value Selection | <1051:1050>          | 00: Floating<br>01: 10 kΩ Resistor<br>10: 100 kΩ Resistor<br>11: 1 MΩ Resistor   |
| IO3 Mode Control (sig_io3_oe = 0)         | <1053:1052>          | 00: Digital Input without Schmitt Trigger<br>01: Digital Input with Schmitt Trigger<br>10: Low Voltage Digital Input<br>11: Reserved |
| IO3 Mode Control (sig_io3_oe = 1)         | <1055:1054>          | 00: Push Pull 1X<br>01: Push Pull 2X<br>10: Open Drain NMOS 1X<br>11: Open Drain NMOS 2X   |

**7.4.5 IO4 Register Settings**
**Table 24. IO4 Register Settings**

| Signal Function                           | Register Bit Address | Register Definition   |
|---|----------------------|---|
| IO4 Driver Strength Selection             | <1057>               | 0: 1X<br>1: 2X  |
| IO4 Pull Up/Down Resistor Selection       | <1058>               | 0: Pull Down Resistor<br>1: Pull Up Resistor  |
| IO4 Pull Up/Down Resistor Value Selection | <1060:1059>          | 00: Floating<br>01: 10 kΩ Resistor<br>10: 100 kΩ Resistor<br>11: 1 MΩ Resistor  |
| IO4 Mode Control                          | <1063:1061>          | 000: Digital Input without Schmitt Trigger<br>001: Digital Input with Schmitt Trigger<br>010: Low Voltage Digital Input<br>011: Analog Input/Output<br>100: Push Pull<br>101: Open Drain NMOS<br>110: Open Drain PMOS<br>111: Analog Input & Open Drain |

**7.4.6 IO5 Register Settings**
**Table 25. IO5 Register Settings**

| Signal Function                           | Register Bit Address | Register Definition   |
|---|----------------------|---|
| IO5 Pull Up/Down Resistor Selection       | <1065>               | 0: Pull Down Resistor<br>1: Pull Up Resistor  |
| IO5 Pull Up/Down Resistor Value Selection | <1067:1066>          | 00: Floating<br>01: 10 kΩ Resistor<br>10: 100 kΩ Resistor<br>11: 1 MΩ Resistor  |
| IO5 Mode Control (sig_io5_oe = 0)         | <1069:1068>          | 00: Digital Input without Schmitt Trigger<br>01: Digital Input with Schmitt Trigger<br>10: Low Voltage Digital Input<br>11: Analog Input/Output |
| IO5 Mode Control (sig_io5_oe = 1)         | <1071:1070>          | 00: Push Pull 1X<br>01: Push Pull 2X<br>10: Open Drain NMOS 1X<br>11: Open Drain NMOS 2X  |

**7.4.7 IO6 Register Settings**
**Table 26. IO6 Register Settings**

| Signal Function                        | Register Bit Address | Register Definition   |
|--|----------------------|---|
| IO6 Driver Strength Selection          | <1073>               | 0: 1X<br>1: 2X  |
| Select SCL & Virtual Input 0 or IO6    | <1074>               | 0: SCL & Virtual Input 0<br>1: IO6  |
| IO6 Pull Down Resistor Value Selection | <1076:1075>          | 00: Floating<br>01: 10 kΩ Resistor<br>10: 100 kΩ Resistor<br>11: 1 MΩ Resistor  |
| IO6 Mode Control                       | <1079:1077>          | 000: Digital Input without Schmitt Trigger<br>001: Digital Input with Schmitt Trigger<br>010: Low Voltage Digital Input<br>011: Reserved<br>100: Reserved<br>101: Open Drain NMOS<br>110: Reserved<br>111: Reserved |

**7.4.8 IO7 Register Settings**
**Table 27. IO7 Register Settings**

| Signal Function                        | Register Bit Address | Register Definition   |
|--|----------------------|---|
| IO7 (or SDA) Driver Strength Selection | <1081>               | 0: 1X<br>1: 2X  |
| Select SDA & Virtual Input 1 or IO7    | <1082>               | 0: SDA & Virtual Input 1<br>1: IO7  |
| IO7 Pull Down Resistor Value Selection | <1084:1083>          | 00: Floating<br>01: 10 kΩ Resistor<br>10: 100 kΩ Resistor<br>11: 1 MΩ Resistor  |
| IO7 (or SDA) Mode Control              | <1087:1085>          | 000: Digital Input without Schmitt Trigger<br>001: Digital Input with Schmitt Trigger<br>010: Low Voltage Digital Input<br>011: Reserved<br>100: Reserved<br>101: Open Drain NMOS<br>110: Reserved<br>111: Reserved |

**7.4.9 IO8 Register Settings**
**Table 28. IO8 Register Settings**

| Signal Function                              | Register Bit Address | Register Definition   |
|--|----------------------|---|
| IO8 4X Drive (4X, NMOS Open Drain) Selection | <1088>               | 0: 4X Drive Off<br>1: 4X Drive On (if <884:882> = '101')<br>(IO8 OE = 1 and PIN Mode is OD NMOS 1X)   |
| IO8 Pull Up/Down Resistor Selection          | <1089>               | 0: Pull Down Resistor<br>1: Pull Up Resistor  |
| IO8 Pull Up/Down Resistor Value Selection    | <1091:1090>          | 00: Floating<br>01: 10 kΩ Resistor<br>10: 100 kΩ Resistor<br>11: 1 MΩ Resistor  |
| IO8 Mode Control (sig_io8_oe = 0)            | <1093:1092>          | 00: Digital Input without Schmitt Trigger<br>01: Digital Input with Schmitt Trigger<br>10: Low Voltage Digital Input<br>11: Analog Input/Output |
| IO8 Mode Control (sig_io8_oe = 1)            | <1095:1094>          | 00: Push Pull 1X<br>01: Push Pull 2X<br>10: Open Drain NMOS 1X<br>11: Open Drain NMOS 2X  |

**7.4.10 IO9 Register Settings**
**Table 29. IO9 Register Settings**

| Signal Function                              | Register Bit Address | Register Definition   |
|--|----------------------|---|
| IO9 4X Drive (4X, NMOS Open Drain) Selection | <1096>               | 0: 4X Drive Off<br>1: 4X Drive On (if <892:890> = '101')<br>(IO9 OE = 1 and PIN Mode is OD NMOS 1X)   |
| IO9 Driver Strength Selection                | <1097>               | 0: 1X<br>1: 2X  |
| IO9 Pull Up/Down Resistor Selection          | <1098>               | 0: Pull Down Resistor<br>1: Pull Up Resistor  |
| IO9 Pull Up/Down Resistor Value Selection    | <1100:1099>          | 00: Floating<br>01: 10 kΩ Resistor<br>10: 100 kΩ Resistor<br>11: 1 MΩ Resistor  |
| IO9 Mode Control                             | <1103:1101>          | 000: Digital Input without Schmitt Trigger<br>001: Digital Input with Schmitt Trigger<br>010: Low Voltage Digital Input<br>011: Analog Input/Output<br>100: Push Pull<br>101: Open Drain NMOS<br>110: Open Drain PMOS<br>111: Analog Input & Open Drain |

**7.4.11 IO10 Register Settings**
**Table 30. IO10 Register Settings**

| Signal Function                      | Register Bit Address | Register Definition                          |
|--------------------------------------|----------------------|--|
| IO10 Pull Up/Down Resistor Selection | <1105>               | 0: Pull Down Resistor<br>1: Pull Up Resistor |

**Table 30. IO10 Register Settings**

| Signal Function                            | Register Bit Address | Register Definition   |
|--|----------------------|---|
| IO10 Pull Up/Down Resistor Value Selection | <1107:1106>          | 00: Floating<br>01: 10 kΩ Resistor<br>10: 100 kΩ Resistor<br>11: 1 MΩ Resistor  |
| IO10 Mode Control (sig_io10_oe = 0)        | <1109:1108>          | 00: Digital Input without Schmitt Trigger<br>01: Digital Input with Schmitt Trigger<br>10: Low Voltage Digital Input<br>11: Analog Input/Output |
| IO10 Mode Control (sig_io10_oe = 1)        | <1111:1110>          | 00: Push Pull 1X<br>01: Push Pull 2X<br>10: Open Drain NMOS 1X<br>11: Open Drain NMOS 2X  |

**7.4.12 IO11 Register Settings**
**Table 31. IO11 Register Settings**

| Signal Function                            | Register Bit Address | Register Definition   |
|--|----------------------|---|
| IO11 Pull Up/Down Resistor Selection       | <1113>               | 0: Pull Down Resistor<br>1: Pull Up Resistor  |
| IO11 Pull Up/Down Resistor Value Selection | <1115:1114>          | 00: Floating<br>01: 10 kΩ Resistor<br>10: 100 kΩ Resistor<br>11: 1 MΩ Resistor  |
| IO11 Mode Control (sig_io11_oe = 0)        | <1117:1116>          | 00: Digital Input without Schmitt Trigger<br>01: Digital Input with Schmitt Trigger<br>10: Low Voltage Digital Input<br>11: Analog Input/Output |
| IO11 Mode Control (sig_io11_oe = 1)        | <1119:1118>          | 00: Push Pull 1X<br>01: Push Pull 2X<br>10: Open Drain NMOS 1X<br>11: Open Drain NMOS 2X  |

**7.4.13 IO12 Register Settings**
**Table 32. IO12 Register Settings**

| Signal Function                            | Register Bit Address | Register Definition   |
|--|----------------------|---|
| IO12 Driver Strength Selection             | <1121>               | 0: 1X<br>1: 2X  |
| IO12 Pull Up/Down Resistor Selection       | <1122>               | 0: Pull Down Resistor<br>1: Pull Up Resistor  |
| IO12 Pull Up/Down Resistor Value Selection | <1124:1123>          | 00: Floating<br>01: 10 kΩ Resistor<br>10: 100 kΩ Resistor<br>11: 1 MΩ Resistor  |
| IO12 Mode Control                          | <1127:1125>          | 000: Digital Input without Schmitt Trigger<br>001: Digital Input with Schmitt Trigger<br>010: Low Voltage Digital Input<br>011: Analog Input/Output<br>100: Push Pull<br>101: Open Drain NMOS<br>110: Open Drain PMOS<br>111: Analog Input & Open Drain |

**7.4.14 IO13 Register Settings**
**Table 33. IO13 Register Settings**

| Signal Function                            | Register Bit Address | Register Definition  |
|--|----------------------|--|
| IO13 Pull Up/Down Resistor Selection       | <1129>               | 0: Pull Down Resistor<br>1: Pull Up Resistor   |
| IO13 Pull Up/Down Resistor Value Selection | <1131:1130>          | 00: Floating<br>01: 10 kΩ Resistor<br>10: 100 kΩ Resistor<br>11: 1 MΩ Resistor   |
| IO13 Mode Control (sig_io13_oe = 1)        | <1135:1134>          | 00: Push Pull 1X<br>01: Push Pull 2X<br>10: Open Drain NMOS 1X<br>11: Open Drain NMOS 2X   |
| IO13 Mode Control (sig_io13_oe = 0)        | <1133:1132>          | 00: Digital Input without Schmitt Trigger<br>01: Digital Input with Schmitt Trigger<br>10: Low Voltage Digital Input<br>11: Reserved |

**7.4.15 IO14 Register Settings**
**Table 34. IO14 Register Settings**

| Signal Function                            | Register Bit Address | Register Definition   |
|--|----------------------|---|
| IO14 Driver Strength Selection             | <1137>               | 0: 1X<br>1: 2X  |
| IO14 Pull Up/Down Resistor Selection       | <1138>               | 0: Pull Down Resistor<br>1: Pull Up Resistor  |
| IO14 Pull Up/Down Resistor Value Selection | <1140:1139>          | 00: Floating<br>01: 10 kΩ Resistor<br>10: 100 kΩ Resistor<br>11: 1 MΩ Resistor  |
| IO14 Mode Control                          | <1143:1141>          | 000: Digital Input without Schmitt Trigger<br>001: Digital Input with Schmitt Trigger<br>010: Low Voltage Digital Input<br>011: Reserved<br>100: Push Pull<br>101: Open Drain NMOS<br>110: Open Drain PMOS<br>111: Reserved |

**7.4.16 IO15 Register Settings**
**Table 35. IO15 Register Settings**

| Signal Function                            | Register Bit Address | Register Definition   |
|--|----------------------|---|
| IO15 Pull Up/Down Resistor Selection       | <1145>               | 0: Pull Down Resistor<br>1: Pull Up Resistor  |
| IO15 Pull Up/Down Resistor Value Selection | <1147:1146>          | 00: Floating<br>01: 10 kΩ Resistor<br>10: 100 kΩ Resistor<br>11: 1 MΩ Resistor  |
| IO15 Mode Control (sig_io15_oe = 0)        | <1149:1148>          | 00: Digital Input without Schmitt Trigger<br>01: Digital Input with Schmitt Trigger<br>10: Low Voltage Digital Input<br>11: Analog Input/Output |
| IO15 Mode Control (sig_io15_oe = 1)        | <1151:1150>          | 00: Push Pull 1X<br>01: Push Pull 2X<br>10: Open Drain NMOS 1X<br>11: Open Drain NMOS 2X  |



**7.4.17 IO16 Register Settings**
**Table 36. IO16 Register Settings**

| Signal Function                            | Register Bit Address | Register Definition   |
|--|----------------------|---|
| IO16 Pull Up/Down Resistor Selection       | <1153>               | 0: Pull Down Resistor<br>1: Pull Up Resistor  |
| IO16 Pull Up/Down Resistor Value Selection | <1155:1154>          | 00: Floating<br>01: 10 kΩ Resistor<br>10: 100 kΩ Resistor<br>11: 1 MΩ Resistor  |
| IO16 Mode Control (sig_io16_oe = 0)        | <1157:1156>          | 00: Digital Input without Schmitt Trigger<br>01: Digital Input with Schmitt Trigger<br>10: Low Voltage Digital Input<br>11: Analog Input/Output |
| IO16 Mode Control (sig_io16_oe = 1)        | <1159:1158>          | 00: Push Pull 1X<br>01: Push Pull 2X<br>10: Open Drain NMOS 1X<br>11: Open Drain NMOS 2X  |

**7.4.18 IO17 Register Settings**
**Table 37. IO17 Register Settings**

| Signal Function                            | Register Bit Address | Register Definition   |
|--|----------------------|---|
| IO17 Driver Strength Selection             | <1161>               | 0: 1X<br>1: 2X  |
| IO17 Pull Up/Down Resistor Selection       | <1162>               | 0: Pull Down Resistor<br>1: Pull Up Resistor  |
| IO17 Pull Up/Down Resistor Value Selection | <1164:1163>          | 00: Floating<br>01: 10 kΩ Resistor<br>10: 100 kΩ Resistor<br>11: 1 MΩ Resistor  |
| IO17 Mode Control                          | <1167:1165>          | 000: Digital Input without Schmitt Trigger<br>001: Digital Input with Schmitt Trigger<br>010: Low Voltage Digital Input<br>011: Reserved<br>100: Push Pull<br>101: Open Drain NMOS<br>110: Open Drain PMOS<br>111: Reserved |

7.5 GPI Structure

7.5.1 GPI Structure (for IO0)

Input Mode [1:0]  
 00: Digital In without Schmitt Trigger, wosmt\_en = 1, OE=0  
 01: Digital In with Schmitt Trigger, smt\_en = 1, OE = 0  
 10: Low Voltage Digital In mode, lv\_en = 1, OE = 0  
 11: Reserved

Note 1: OE cannot be selected by user  
 Note 2: OE is Matrix output, Digital In is Matrix input

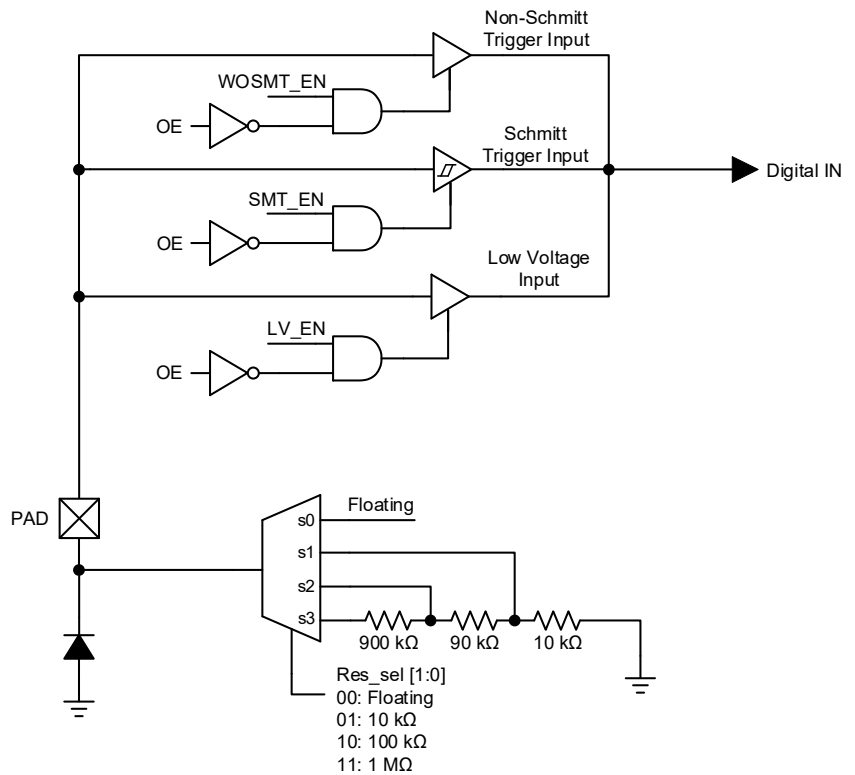


Figure 2. IO0 GPI Structure Diagram

7.6 Matrix OE IO Structure

7.6.1 Matrix OE IO Structure (for IOs 1, 3, 5, 10, 11, 13, 15, 16)

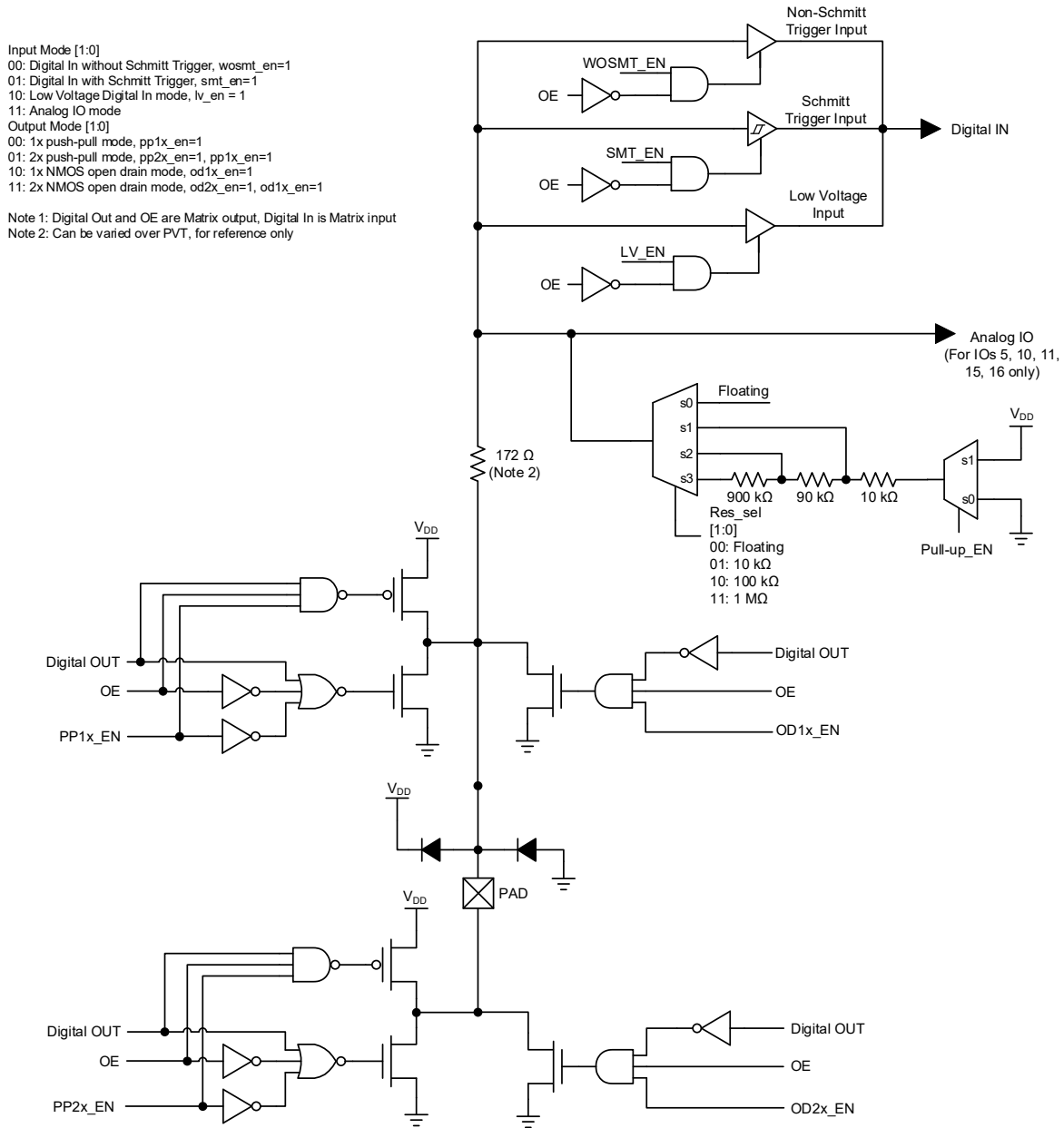


Figure 3. Matrix OE IO Structure Diagram

7.6.2 Matrix OE IO Structure (for IOs 6 and 7)

- IO6, IO7 Mode [2:0]
- 000: Digital Input without Schmitt Trigger
- 001: Digital Input with Schmitt Trigger
- 010: Low Voltage Digital Input
- 011: Reserved
- 100: Reserved
- 101: Open Drain NMOS
- 110: Reserved
- 111: Reserved

Note: Digital Out and OE are Matrix output, Digital In is Matrix input

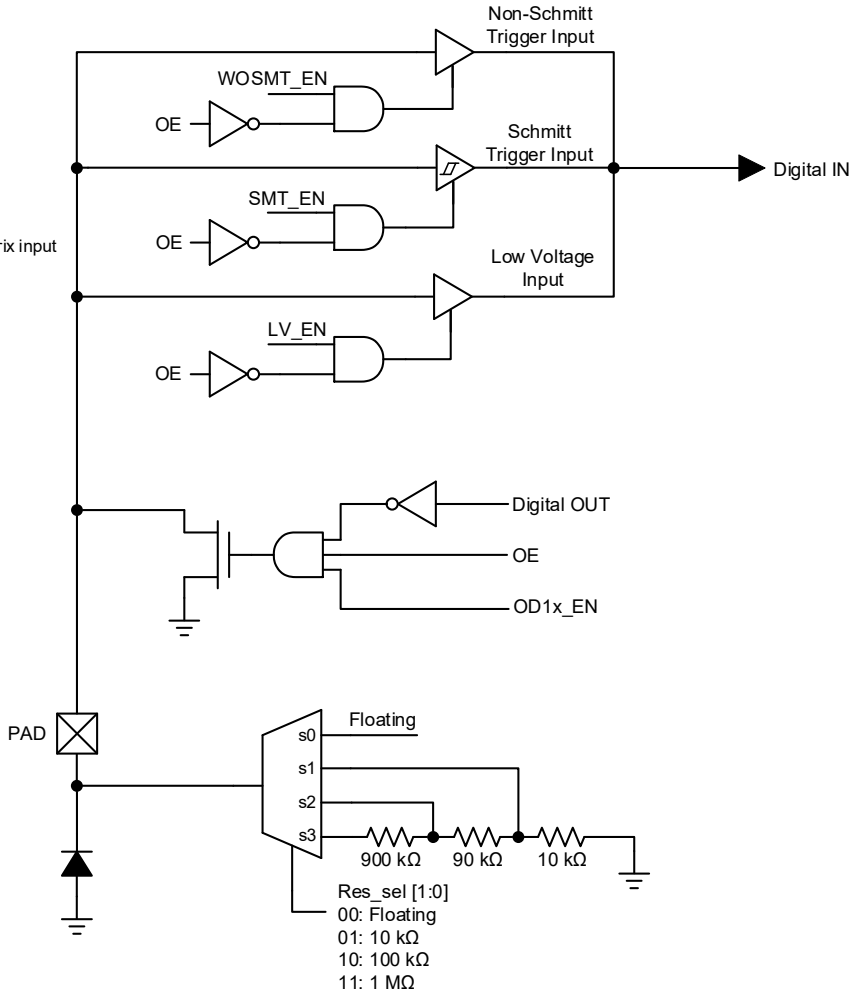


Figure 4. Matrix OE IO Structure Diagram

7.6.3 Matrix OE 4X Drive Structure (for IO8)

Input Mode [1:0]  
 00: Digital In without Schmitt Trigger, wosmt\_en=1  
 01: Digital In with Schmitt Trigger, smt\_en=1  
 10: Low Voltage Digital In mode, lv\_en = 1  
 11: analog IO mode  
 Output Mode [1:0]  
 00: 1x push-pull mode, pp1x\_en=1  
 01: 2x push-pull mode, pp2x\_en=1, pp1x\_en=1  
 10: 1x NMOS open drain mode, od1x\_en=1, odn\_en=1  
 11: 2x NMOS open drain mode, od2x\_en=1, od1x\_en=1, odn\_en=1

Note 1: Digital Out and OE are Matrix output, Digital In is Matrix input  
 Note 2: Can be varied over PVT, for reference only

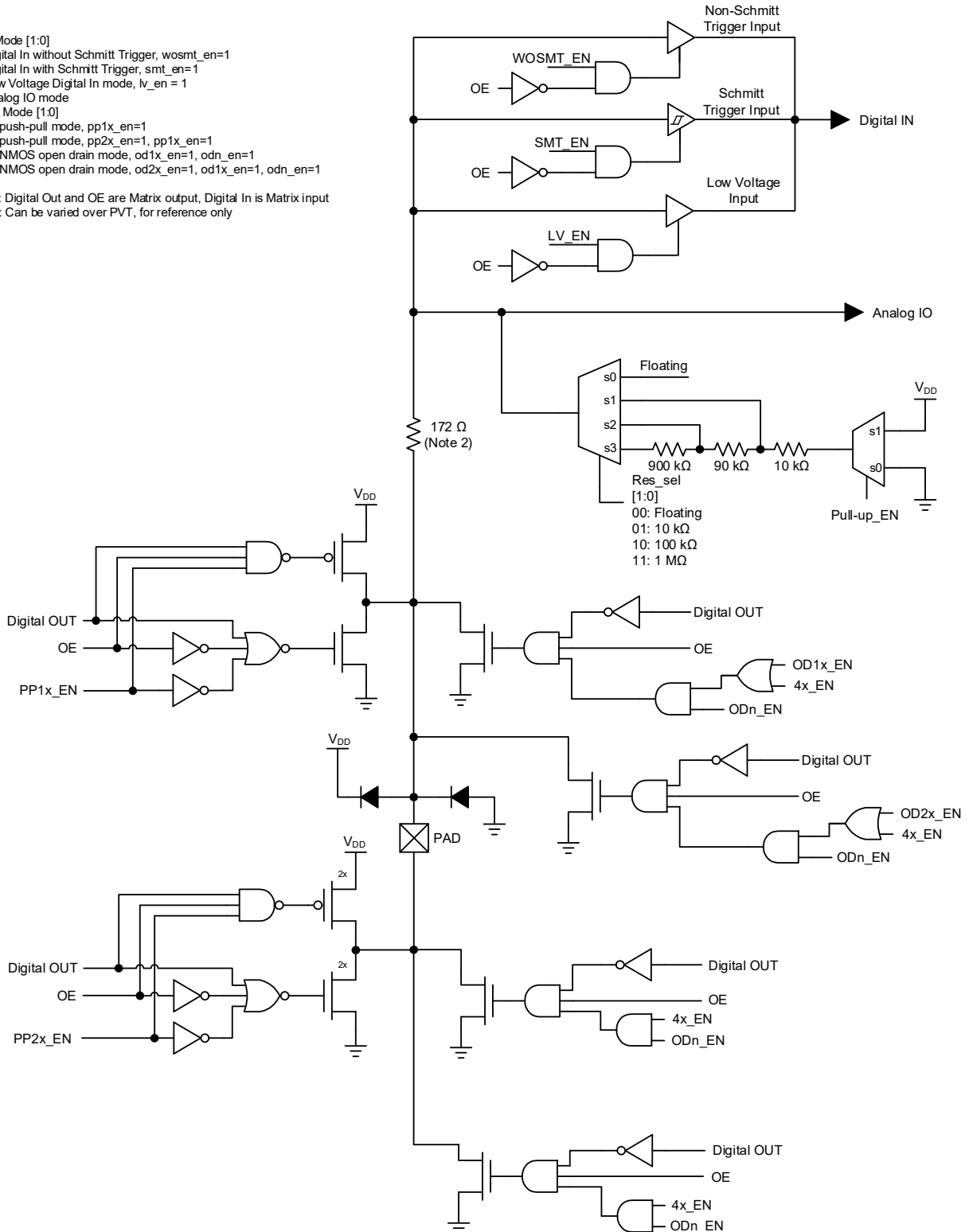


Figure 5. Matrix OE IO 4X Drive Structure Diagram

7.7 IO Structure

7.7.1 IO Structure (for IOs 2, 4, 12, 14, 17)

Mode [2:0]  
 000: Digital In without Schmitt Trigger, wosmt\_en=1, OE = 0  
 001: Digital In with Schmitt Trigger, smt\_en=1, OE = 0  
 010: Low Voltage Digital In mode, lv\_en = 1, OE = 0  
 011: analog IO mode  
 100: push-pull mode, pp\_en=1, OE = 1  
 101: NMOS open drain mode, odn\_en=1, OE = 1  
 110: PMOS open drain mode, odp\_en=1, OE = 1  
 111: analog IO and NMOS open-drain mode, odn\_en=1 and AIO\_en=1

Note 1: OE cannot be selected by user and is controlled by register  
 Note 2: Can be varied over PVT, for reference only

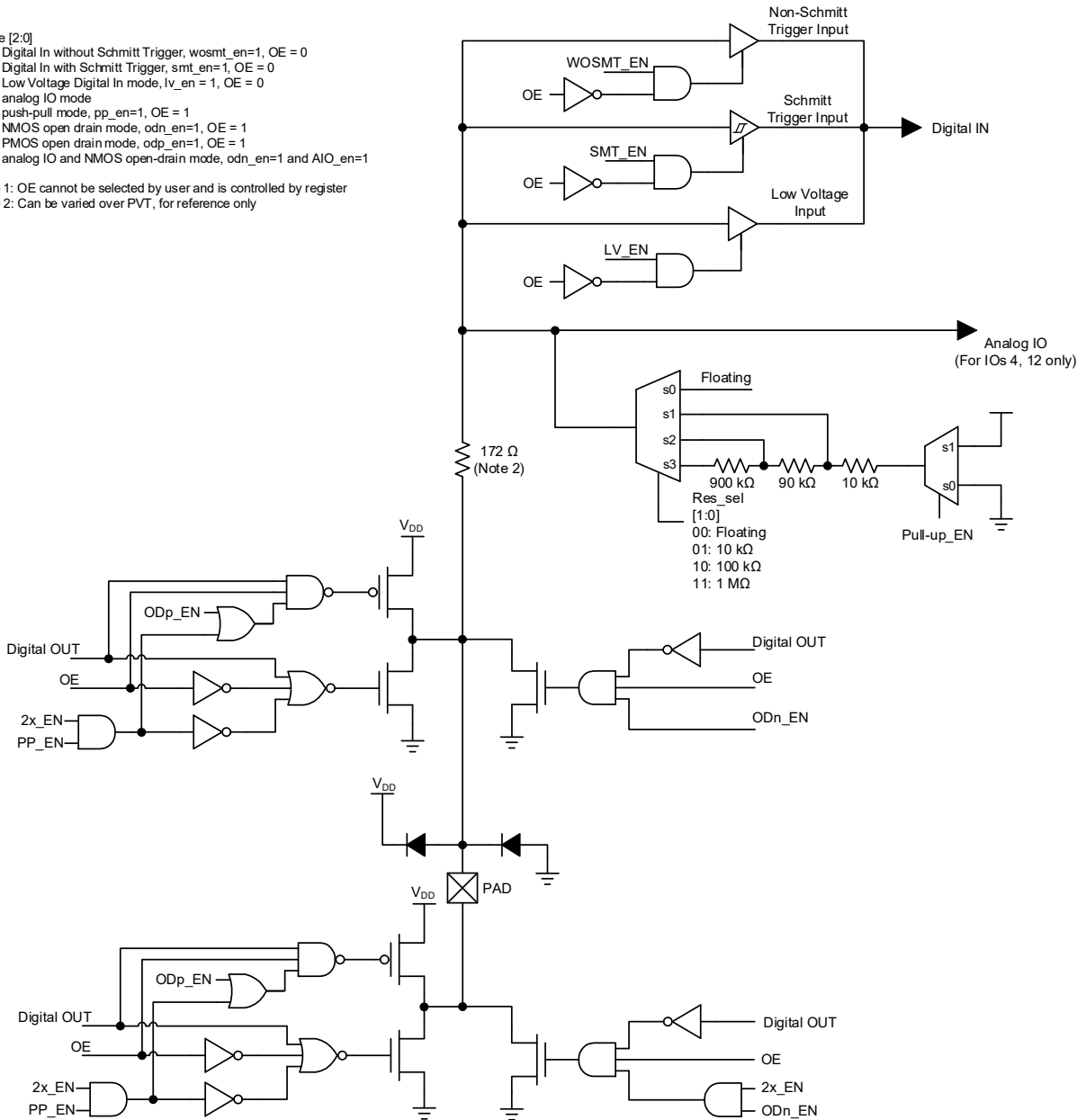


Figure 6. IO Structure Diagram

7.7.2 4X Drive Structure (for IO9)

Mode [2:0]  
 000: Digital In without Schmitt Trigger, wosmt\_en=1, OE = 0  
 001: Digital In with Schmitt Trigger, smt\_en=1, OE = 0  
 010: Low Voltage Digital In mode, lv\_en = 1, OE = 0  
 011: analog IO mode  
 100: push-pull mode, pp\_en=1, OE = 1  
 101: NMOS open drain mode, odn\_en=1, OE = 1  
 110: PMOS open drain mode, odp\_en=1, OE = 1  
 111: analog IO and NMOS open-drain mode, odn\_en=1 and AIO\_en=1

Note 1: OE cannot be selected by user  
 Note 2: Digital Out and OE are Matrix output, Digital In is Matrix input  
 Note 3: Can be varied over PVT, for reference only

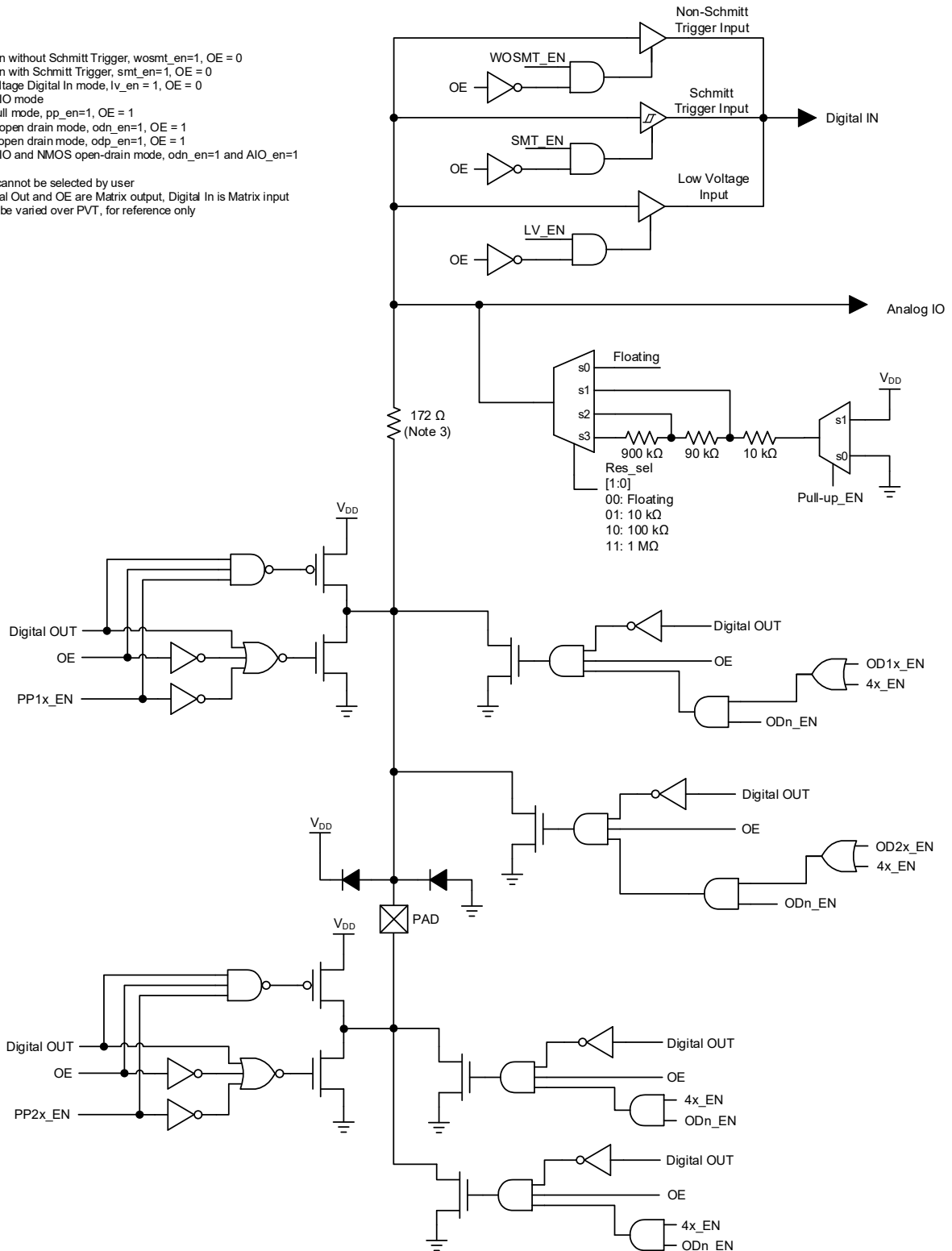


Figure 7. IO 4X Drive Structure Diagram

### 8.0 Connection Matrix

The Connection Matrix in the SLG46537 is used to create the internal routing for internal functional macrocells of the device once it is programmed. The registers are programmed from the one-time NVM cell during Test Mode Operation. The output of each functional macrocell within the SLG46537 has a specific digital bit code assigned to it that is either set to active “High” or inactive “Low” based on the design that is created. Once the 2048 register bits within the SLG46537 are programmed a fully custom circuit will be created.

The Connection Matrix has 64 inputs and 110 outputs. Each of the 64 inputs to the Connection Matrix is hard-wired to the digital output of a particular source macrocell, including IO pins, LUTs, analog comparators, other digital resources such as V<sub>DD</sub> and GND. The input to a digital macrocell uses a 6-bit register to select one of these 64 input lines.

For a complete list of the SLG46537’s register table, see Section 22.0 Appendix A - SLG46537 Register Definition.

| Matrix Input Signal Functions | N                |                            |                            |                            |   |   |  |  |  |  |  |
|-------------------------------|------------------|----------------------------|----------------------------|----------------------------|---|---|--|--|--|--|--|
| Ground                        | 0                |                            |                            |                            |   |   |  |  |  |  |  |
| IO0 Digital In                | 1                |                            |                            |                            |   |   |  |  |  |  |  |
| IO1 Digital In                | 2                |                            |                            |                            |   |   |  |  |  |  |  |
| IO2 Digital In                | 3                |                            |                            |                            |   |   |  |  |  |  |  |
| ⋮                             | ⋮                |                            |                            |                            |   |   |  |  |  |  |  |
| Resetb_core                   | 62               |                            |                            |                            |   |   |  |  |  |  |  |
| V <sub>DD</sub>               | 63               |                            |                            |                            |   |   |  |  |  |  |  |
| <b>Matrix Inputs</b>          | <b>N</b>         | 0                          | 1                          | 2                          | ⋮ | 109   |  |  |  |  |  |
|                               | <b>Registers</b> | reg<5:0>                   | reg<13:8>                  | reg<21:16>                 | ⋮ | reg<877:872>                                  |  |  |  |  |  |
|                               | <b>Function</b>  | Matrix OUT: ASM-state0-EN0 | Matrix OUT: ASM-state0-EN1 | Matrix OUT: ASM-state0-EN2 | ⋮ | Matrix OUT: PD of either Temp out or XTAL Osc |  |  |  |  |  |
| <b>Matrix Outputs</b>         |                  |                            |                            |                            |   |   |  |  |  |  |  |

Figure 8. Connection Matrix

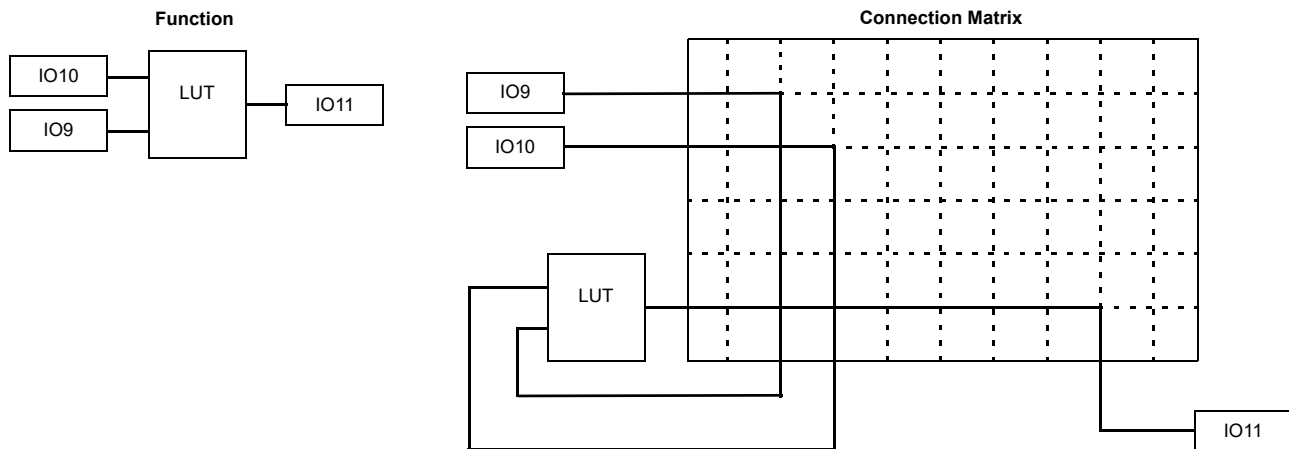


Figure 9. Connection Matrix Example



**8.1 Matrix Input Table**
**Table 38. Matrix Input Table**

| Matrix Input Number | Matrix Input Signal Function  | Matrix Decode |   |   |   |   |   |
|---------------------|---|---------------|---|---|---|---|---|
|                     |   | 5             | 4 | 3 | 2 | 1 | 0 |
| 0                   | GND   | 0             | 0 | 0 | 0 | 0 | 0 |
| 1                   | IO0 Digital Input   | 0             | 0 | 0 | 0 | 0 | 1 |
| 2                   | IO1 Digital Input   | 0             | 0 | 0 | 0 | 1 | 0 |
| 3                   | IO2 Digital Input   | 0             | 0 | 0 | 0 | 1 | 1 |
| 4                   | IO3 Digital Input   | 0             | 0 | 0 | 1 | 0 | 0 |
| 5                   | IO4 Digital Input   | 0             | 0 | 0 | 1 | 0 | 1 |
| 6                   | IO5 Digital Input   | 0             | 0 | 0 | 1 | 1 | 0 |
| 7                   | IO8 Digital Input   | 0             | 0 | 0 | 1 | 1 | 1 |
| 8                   | LUT2_0 / DFF0 Output  | 0             | 0 | 1 | 0 | 0 | 0 |
| 9                   | LUT2_1 / DFF1 Output  | 0             | 0 | 1 | 0 | 0 | 1 |
| 10                  | LUT2_2 / DFF2 Output  | 0             | 0 | 1 | 0 | 1 | 0 |
| 11                  | LUT2_3 / PGEN Output  | 0             | 0 | 1 | 0 | 1 | 1 |
| 12                  | LUT3_0 / DFF3 Output  | 0             | 0 | 1 | 1 | 0 | 0 |
| 13                  | LUT3_1 / DFF4 Output  | 0             | 0 | 1 | 1 | 0 | 1 |
| 14                  | LUT3_2 / DFF5 Output  | 0             | 0 | 1 | 1 | 1 | 0 |
| 15                  | LUT3_3 / DFF6 Output  | 0             | 0 | 1 | 1 | 1 | 1 |
| 16                  | LUT3_4 / DFF7 Output  | 0             | 1 | 0 | 0 | 0 | 0 |
| 17                  | LUT3_5 / CNT_DLY2(8bit) Output  | 0             | 1 | 0 | 0 | 0 | 1 |
| 18                  | LUT3_6 / CNT_DLY3(8bit) Output  | 0             | 1 | 0 | 0 | 1 | 0 |
| 19                  | LUT3_7 / CNT_DLY4(8bit) Output  | 0             | 1 | 0 | 0 | 1 | 1 |
| 20                  | LUT3_8 / CNT_DLY5(8bit) Output  | 0             | 1 | 0 | 1 | 0 | 0 |
| 21                  | LUT3_9 / CNT_DLY6(8bit) Output  | 0             | 1 | 0 | 1 | 0 | 1 |
| 22                  | LUT4_0 / CNT_DLY0(16bit) Output   | 0             | 1 | 0 | 1 | 1 | 0 |
| 23                  | LUT4_1 / CNT_DLY1(16bit) Output   | 0             | 1 | 0 | 1 | 1 | 1 |
| 24                  | LUT3_10 / Pipe Delay (1st stage) Output   | 0             | 1 | 1 | 0 | 0 | 0 |
| 25                  | Pipe Delay Output0  | 0             | 1 | 1 | 0 | 0 | 1 |
| 26                  | Pipe Delay Output1  | 0             | 1 | 1 | 0 | 1 | 0 |
| 27                  | Internal OSC Pre-Divided by 1/2/4/8 Output and Post-Divided by 1/2/3/4/8/12/24/64 Output (25KHz/2MHz) | 0             | 1 | 1 | 0 | 1 | 1 |
| 28                  | Internal OSC Pre-Divided by 1/2/4/8 Output and Post-Divided by 1/2/3/4/8/12/24/64 Output (25KHz/2MHz) | 0             | 1 | 1 | 1 | 0 | 0 |
| 29                  | Internal OSC Pre-Divided by 1/2/4/8 Output (25MHz)  | 0             | 1 | 1 | 1 | 0 | 1 |
| 30                  | Filter0 / Edge Detect0 Output   | 0             | 1 | 1 | 1 | 1 | 0 |
| 31                  | Filter1 / Edge Detect1 Output   | 0             | 1 | 1 | 1 | 1 | 1 |
| 32                  | IO6 Digital or I2C_virtual_0 Input  | 1             | 0 | 0 | 0 | 0 | 0 |
| 33                  | IO7 Digital or I2C_virtual_1 Input  | 1             | 0 | 0 | 0 | 0 | 1 |
| 34                  | I2C_virtual_2 Input   | 1             | 0 | 0 | 0 | 1 | 0 |
| 35                  | I2C_virtual_3 Input   | 1             | 0 | 0 | 0 | 1 | 1 |

**Table 38. Matrix Input Table**

| Matrix Input Number | Matrix Input Signal Function                 | Matrix Decode |   |   |   |   |   |
|---------------------|--|---------------|---|---|---|---|---|
|                     |  | 5             | 4 | 3 | 2 | 1 | 0 |
| 36                  | I2C_virtual_4 Input                          | 1             | 0 | 0 | 1 | 0 | 0 |
| 37                  | I2C_virtual_5 Input                          | 1             | 0 | 0 | 1 | 0 | 1 |
| 38                  | I2C_virtual_6 Input                          | 1             | 0 | 0 | 1 | 1 | 0 |
| 39                  | I2C_virtual_7 Input                          | 1             | 0 | 0 | 1 | 1 | 1 |
| 40                  | ASM-stateX-dout0                             | 1             | 0 | 1 | 0 | 0 | 0 |
| 41                  | ASM-stateX-dout1                             | 1             | 0 | 1 | 0 | 0 | 1 |
| 42                  | ASM-stateX-dout2                             | 1             | 0 | 1 | 0 | 1 | 0 |
| 43                  | ASM-stateX-dout3                             | 1             | 0 | 1 | 0 | 1 | 1 |
| 44                  | ASM-stateX-dout4                             | 1             | 0 | 1 | 1 | 0 | 0 |
| 45                  | ASM-stateX-dout5                             | 1             | 0 | 1 | 1 | 0 | 1 |
| 46                  | ASM-stateX-dout6                             | 1             | 0 | 1 | 1 | 1 | 0 |
| 47                  | ASM-stateX-dout7                             | 1             | 0 | 1 | 1 | 1 | 1 |
| 48                  | IO9 Digital Input                            | 1             | 1 | 0 | 0 | 0 | 0 |
| 49                  | IO10 Digital Input                           | 1             | 1 | 0 | 0 | 0 | 1 |
| 50                  | IO11 Digital Input                           | 1             | 1 | 0 | 0 | 1 | 0 |
| 51                  | IO12 Digital Input                           | 1             | 1 | 0 | 0 | 1 | 1 |
| 52                  | IO13 Digital Input                           | 1             | 1 | 0 | 1 | 0 | 0 |
| 53                  | IO14 Digital Input                           | 1             | 1 | 0 | 1 | 0 | 1 |
| 54                  | IO15 Digital Input                           | 1             | 1 | 0 | 1 | 1 | 0 |
| 55                  | IO16 Digital Input                           | 1             | 1 | 0 | 1 | 1 | 1 |
| 56                  | IO17 Digital Input                           | 1             | 1 | 1 | 0 | 0 | 0 |
| 57                  | ACMP_0 Output                                | 1             | 1 | 1 | 0 | 0 | 1 |
| 58                  | ACMP_1 Output                                | 1             | 1 | 1 | 0 | 1 | 0 |
| 59                  | ACMP_2 Output                                | 1             | 1 | 1 | 0 | 1 | 1 |
| 60                  | ACMP_3 Output                                | 1             | 1 | 1 | 1 | 0 | 0 |
| 61                  | Programmable Delay with Edge Detector Output | 1             | 1 | 1 | 1 | 0 | 1 |
| 62                  | nRST_core (POR) as matrix input              | 1             | 1 | 1 | 1 | 1 | 0 |
| 63                  | V <sub>DD</sub>                              | 1             | 1 | 1 | 1 | 1 | 1 |

**8.2 Matrix Output Table**
**Table 39. Matrix Output Table**

| Register Bit Address | Matrix Output Signal Function<br>Note: For each Address, the two most significant bits are unused) | Matrix Output Number |
|----------------------|--|----------------------|
| reg <7:0>            | Matrix OUT: ASM-state0-EN0   | 0                    |
| reg <15:8>           | Matrix OUT: ASM-state0-EN1   | 1                    |
| reg <23:16>          | Matrix OUT: ASM-state0-EN2   | 2                    |
| reg <31:24>          | Matrix OUT: ASM-state1-EN0   | 3                    |
| reg <39:32>          | Matrix OUT: ASM-state1-EN1   | 4                    |
| reg <47:40>          | Matrix OUT: ASM-state1-EN2   | 5                    |
| reg <55:48>          | Matrix OUT: ASM-state2-EN0   | 6                    |
| reg <63:56>          | Matrix OUT: ASM-state2-EN1   | 7                    |
| reg <71:64>          | Matrix OUT: ASM-state2-EN2   | 8                    |
| reg <79:72>          | Matrix OUT: ASM-state3-EN0   | 9                    |
| reg <87:80>          | Matrix OUT: ASM-state3-EN1   | 10                   |
| reg <95:88>          | Matrix OUT: ASM-state3-EN2   | 11                   |
| reg <103:96>         | Matrix OUT: ASM-state4-EN0   | 12                   |
| reg <111:104>        | Matrix OUT: ASM-state4-EN1   | 13                   |
| reg <119:112>        | Matrix OUT: ASM-state4-EN2   | 14                   |
| reg <127:120>        | Matrix OUT: ASM-state5-EN0   | 15                   |
| reg <135:128>        | Matrix OUT: ASM-state5-EN1   | 16                   |
| reg <143:136>        | Matrix OUT: ASM-state5-EN2   | 17                   |
| reg <151:144>        | Matrix OUT: ASM-state6-EN0   | 18                   |
| reg <159:152>        | Matrix OUT: ASM-state6-EN1   | 19                   |
| reg <167:160>        | Matrix OUT: ASM-state6-EN2   | 20                   |
| reg <175:168>        | Matrix OUT: ASM-state7-EN0   | 21                   |
| reg <183:176>        | Matrix OUT: ASM-state7-EN1   | 22                   |
| reg <191:184>        | Matrix OUT: ASM-state7-EN2   | 23                   |
| reg <199:192>        | Matrix OUT: ASM-state-nRST   | 24                   |
| reg <207:200>        | Matrix OUT: IO1 Digital Output Source  | 25                   |
| reg <215:208>        | Matrix OUT: IO1 Output Enable  | 26                   |
| reg <223:216>        | Matrix OUT: IO2 Digital Output Source  | 27                   |
| reg <231:224>        | Matrix OUT: IO3 Digital Output Source  | 28                   |
| reg <239:232>        | Matrix OUT: IO3 Output Enable  | 29                   |
| reg <247:240>        | Matrix OUT: IO4 Digital Output Source  | 30                   |
| reg <255:248>        | Matrix OUT: IO5 Digital Output Source  | 31                   |
| reg <263:256>        | Matrix OUT: IO5 Output Enable  | 32                   |
| reg <271:264>        | Matrix OUT: IO6 Digital Output Source (SCL with VI/Input & NMOS open-drain)                        | 33                   |
| reg <279:272>        | Matrix OUT: IO7 Digital Output Source (SDA with VI/Input & NMOS open-drain)                        | 34                   |
| reg <287:280>        | Matrix OUT: IO8 Digital Output Source  | 35                   |
| reg <295:288>        | Matrix OUT: IO8 Output Enable  | 36                   |
| reg <303:296>        | Matrix OUT: IO9 Digital Output Source  | 37                   |

**Table 39. Matrix Output Table**

| Register Bit Address | Matrix Output Signal Function<br>Note: For each Address, the two most significant bits are unused) | Matrix Output Number |
|----------------------|--|----------------------|
| reg <311:304>        | Matrix OUT: IO10 Digital Output Source   | 38                   |
| reg <319:312>        | Matrix OUT: IO10 Output Enable   | 39                   |
| reg <327:320>        | Matrix OUT: IO11 Digital Output Source   | 40                   |
| reg <335:328>        | Matrix OUT: IO11 Output Enable   | 41                   |
| reg <343:336>        | Matrix OUT: IO12 Digital Output Source   | 42                   |
| reg <351:344>        | Matrix OUT: IO13 Digital Output Source   | 43                   |
| reg <359:352>        | Matrix OUT: IO13 Output Enable   | 44                   |
| reg <367:360>        | Matrix OUT: IO14 Digital Output Source   | 45                   |
| reg <375:368>        | Matrix OUT: IO15 Digital Output Source   | 46                   |
| reg <383:376>        | Matrix OUT: IO15 Output Enable   | 47                   |
| reg <391:384>        | Matrix OUT: IO16 Digital Output Source   | 48                   |
| reg <399:392>        | Matrix OUT: IO16 Output Enable   | 49                   |
| reg <407:400>        | Matrix OUT: IO17 Digital Output Source   | 50                   |
| reg <415:408>        | Matrix OUT: ACMP0 PDB (Power Down)   | 51                   |
| reg <423:416>        | Matrix OUT: ACMP1 PDB (Power Down)   | 52                   |
| reg <431:424>        | Matrix OUT: ACMP2 PDB (Power Down)   | 53                   |
| reg <439:432>        | Matrix OUT: ACMP3 PDB (Power Down)   | 54                   |
| reg <447:440>        | Matrix OUT: Input of Filter_0 with fixed time edge detector  | 55                   |
| reg <455:448>        | Matrix OUT: Input of Filter_1 with fixed time edge detector  | 56                   |
| reg <463:456>        | Matrix OUT: Input of Programmable Delay & Edge Detector  | 57                   |
| reg <471:464>        | Matrix OUT: OSC 25kHz/2MHz PDB (Power Down)  | 58                   |
| reg <479:472>        | Matrix OUT: OSC 25MHz PDB (Power Down)   | 59                   |
| reg <487:480>        | Matrix OUT: IN0 of LUT2_0 or Clock Input of DFF0   | 60                   |
| reg <495:488>        | Matrix OUT: IN1 of LUT2_0 or Data Input of DFF0  | 61                   |
| reg <503:496>        | Matrix OUT: IN0 of LUT2_1 or Clock Input of DFF1   | 62                   |
| reg <511:504>        | Matrix OUT: IN1 of LUT2_1 or Data Input of DFF1  | 63                   |
| reg <519:512>        | Matrix OUT: IN0 of LUT2_2 or Clock Input of DFF2   | 64                   |
| reg <527:520>        | Matrix OUT: IN1 of LUT2_2 or Data Input of DFF2  | 65                   |
| reg <535:528>        | Matrix OUT: IN0 of LUT2_3 or Clock Input of PGEN   | 66                   |
| reg <543:536>        | Matrix OUT: IN1 of LUT2_3 or nRST of PGEN  | 67                   |
| reg <551:544>        | Matrix OUT: IN0 of LUT3_0 or Clock Input of DFF3   | 68                   |
| reg <559:552>        | Matrix OUT: IN1 of LUT3_0 or Data Input of DFF3  | 69                   |
| reg <567:560>        | Matrix OUT: IN2 of LUT3_0 or nRST (nSET) of DFF3   | 70                   |
| reg <575:568>        | Matrix OUT: IN0 of LUT3_1 or Clock Input of DFF4   | 71                   |
| reg <583:576>        | Matrix OUT: IN1 of LUT3_1 or Data Input of DFF4  | 72                   |
| reg <591:584>        | Matrix OUT: IN2 of LUT3_1 or nRST (nSET) of DFF4   | 73                   |
| reg <599:592>        | Matrix OUT: IN0 of LUT3_2 or Clock Input of DFF5   | 74                   |
| reg <607:600>        | Matrix OUT: IN1 of LUT3_2 or Data Input of DFF5  | 75                   |
| reg <615:608>        | Matrix OUT: IN2 of LUT3_2 or nRST (nSET) of DFF5   | 76                   |

**Table 39. Matrix Output Table**

| Register Bit Address | Matrix Output Signal Function<br>Note: For each Address, the two most significant bits are unused) | Matrix Output Number |
|----------------------|--|----------------------|
| reg <623:616>        | Matrix OUT: IN0 of LUT3_3 or Clock Input of DFF6   | 77                   |
| reg <631:624>        | Matrix OUT: IN1 of LUT3_3 or Data Input of DFF6  | 78                   |
| reg <639:632>        | Matrix OUT: IN2 of LUT3_3 or nRST (nSET) of DFF6   | 79                   |
| reg <647:640>        | Matrix OUT: IN0 of LUT3_4 or Clock Input of DFF7   | 80                   |
| reg <655:648>        | Matrix OUT: IN1 of LUT3_4 or Data Input of DFF7  | 81                   |
| reg <663:656>        | Matrix OUT: IN2 of LUT3_4 or nRST (nSET) of DFF7   | 82                   |
| reg <671:664>        | Matrix OUT: IN0 of LUT3_5 or Delay2 Input (or Counter2 RST Input)                                  | 83                   |
| reg <679:672>        | Matrix OUT: IN1 of LUT3_5 or External Clock Input of Delay2 (or Counter2)                          | 84                   |
| reg <687:680>        | Matrix OUT: IN2 of LUT3_5  | 85                   |
| reg <695:688>        | Matrix OUT: IN0 of LUT3_6 or Delay3 Input (or Counter3 RST Input)                                  | 86                   |
| reg <703:696>        | Matrix OUT: IN1 of LUT3_6 or External Clock Input of Delay3 (or Counter3)                          | 87                   |
| reg <711:704>        | Matrix OUT: IN2 of LUT3_6  | 88                   |
| reg <719:712>        | Matrix OUT: IN0 of LUT3_7 or Delay4 Input (or Counter4 RST Input)                                  | 89                   |
| reg <727:720>        | Matrix OUT: IN1 of LUT3_7 or External Clock Input of Delay4 (or Counter4)                          | 90                   |
| reg <735:728>        | Matrix OUT: IN2 of LUT3_7  | 91                   |
| reg <743:736>        | Matrix OUT: IN0 of LUT3_8 or Delay5 Input (or Counter5 RST Input)                                  | 92                   |
| reg <751:744>        | Matrix OUT: IN1 of LUT3_8 or External Clock Input of Delay5 (or Counter5)                          | 93                   |
| reg <759:752>        | Matrix OUT: IN2 of LUT3_8  | 94                   |
| reg <767:760>        | Matrix OUT: IN0 of LUT3_9 or Delay6 Input (or Counter6 RST Input)                                  | 95                   |
| reg <775:768>        | Matrix OUT: IN1 of LUT3_9 or External Clock Input of Delay6 (or Counter6)                          | 96                   |
| reg <783:776>        | Matrix OUT: IN2 of LUT3_9  | 97                   |
| reg <791:784>        | Matrix OUT: IN0 of LUT3_10 or Input of Pipe Delay  | 98                   |
| reg <799:792>        | Matrix OUT: IN1 of LUT3_10 or nRST of Pipe Delay   | 99                   |
| reg <807:800>        | Matrix OUT: IN2 of LUT3_10 or Clock of Pipe Delay  | 100                  |
| reg <815:808>        | Matrix OUT: IN0 of LUT4_0 or Delay0 Input (or Counter0 RST/SET Input)                              | 101                  |
| reg <823:816>        | Matrix OUT: IN1 of LUT4_0 or External Clock Input of Delay0 (or Counter0)                          | 102                  |
| reg <831:824>        | Matrix OUT: IN2 of LUT4_0 or UP Input of FSM0  | 103                  |
| reg <839:832>        | Matrix OUT: IN3 of LUT4_0 or KEEP Input of FSM0  | 104                  |
| reg <847:840>        | Matrix OUT: IN0 of LUT4_1 or Delay1 Input (or Counter1 RST/SET Input)                              | 105                  |
| reg <855:848>        | Matrix OUT: IN1 of LUT4_1 or External Clock Input of Delay1 (or Counter1)                          | 106                  |
| reg <863:856>        | Matrix OUT: IN2 of LUT4_1 or UP Input of FSM1  | 107                  |
| reg <871:864>        | Matrix OUT: IN3 of LUT4_1 or KEEP Input of FSM1  | 108                  |
| reg <879:872>        | Matrix OUT: PD of either Temp-output with BG AND/ORcrystal oscillator by reg<1268>                 | 109                  |

### 8.3 Connection Matrix Virtual Inputs

As mentioned previously, the Connection Matrix inputs come from the outputs of various digital macrocells on the device. Eight of the Connection Matrix inputs have the special characteristic that the state of these signal lines comes from a corresponding data bit written as a register value via I<sup>2</sup>C. This gives the user the ability to write data via the serial channel, and have this information translated into signals that can be driven into the Connection Matrix and from the Connection Matrix to the digital inputs of other macrocells on the device. The I<sup>2</sup>C address for reading and writing these register values is at byte 0244.

Six of the eight Connection Matrix Virtual Inputs are dedicated to this virtual input function. An I<sup>2</sup>C write command to these register bits will set the signal values going into the Connection Matrix to the desired state. A read command to these register bits will read either the original data values coming from the NVM memory bits (that were loaded during the initial device startup), or the values from a previous write command (if that has happened).

Two of the eight Connection Matrix Virtual Inputs are shared with Pin digital inputs,(IO6 Digital or I2C\_virtual\_0 Input) and (IO7 Digital or I2C\_virtual\_1 Input). If the virtual input mode is selected, an I<sup>2</sup>C write command to these register bits will set the signal values going into the Connection Matrix to the desired state. Two register bits select whether the Connection Matrix input comes from the pin input or from the virtual register:

- reg <1074> Select SCL & Virtual Input 0 or IO6
- reg <1082> Select SDA & Virtual Input 1 or IO7

See table below for Connection Matrix Virtual Inputs.

| Matrix Input Number | Matrix Input Signal Function | Register Bit Addresses (d) |
|---------------------|------------------------------|----------------------------|
| 32                  | I2C_virtual_0 Input          | reg<1952>                  |
| 33                  | I2C_virtual_1 Input          | reg<1953>                  |
| 34                  | I2C_virtual_2 Input          | reg<1954>                  |
| 35                  | I2C_virtual_3 Input          | reg<1955>                  |
| 36                  | I2C_virtual_4 Input          | reg<1956>                  |
| 37                  | I2C_virtual_5 Input          | reg<1957>                  |
| 38                  | I2C_virtual_6 Input          | reg<1958>                  |
| 39                  | I2C_virtual_7 Input          | reg<1959>                  |

### 8.4 Connection Matrix Virtual Outputs

The digital outputs of the various macrocells are routed to the Connection Matrix to enable interconnections to the inputs of other macrocells in the device. At the same time, it is possible to read the state of each of the macrocell outputs as a register value via I<sup>2</sup>C. This option, called Connection Matrix Virtual Outputs, allows the user to remotely read the values of each macrocell output. The I<sup>2</sup>C addresses for reading these register values are at bytes 0240 to 0247. Write commands to these same register values will be ignored (with the exception of the Virtual Input register bits at byte 0244).

### 9.0 Combination Function Macrocells

The SLG46537 has seventeen combination function macrocells that can serve more than one logic or timing function. In each case, they can serve as a Look Up Table (LUT), or as another logic or timing function. See the list below for the functions that can be implemented in these macrocells:

- Three macrocells that can serve as either 2-bit LUTs or as D Flip Flops;
- Five macrocells that can serve as either 3-bit LUTs or as D Flip Flops with Set/Reset Input;
- One macrocell that can serve as either 3-bit LUT or as Pipe Delay;
- One macrocell that can serve as either 2-bit LUT or as Programmable Pattern Generator (PGEN);
- Five macrocells that can serve as either 3-bit LUTs or as 8-Bit Counter / Delays;
- Two macrocells that can serve as either 4-bit LUTs or as 16-Bit Counter / Delays.

Inputs/Outputs for the 17 combination function macrocells are configured from the connection matrix with specific logic functions being defined by the state of NVM bits.

When used as a LUT to implement combinatorial logic functions, the outputs of the LUTs can be configured to any user defined function, including the following standard digital logic devices (AND, NAND, OR, NOR, XOR, XNOR).

#### 9.1 2-Bit LUT or D Flip Flop Macrocells

There are three macrocells that can serve as either 2-bit LUTs or as D Flip Flops. When used to implement LUT functions, the 2-bit LUTs each take in two input signals from the connection matrix and produce a single output, which goes back into the connection matrix. When used to implement D Flip Flop function, the two input signals from the connection matrix go to the data (D) and clock (CLK) inputs for the Flip Flop, with the output going back to the connection matrix.

The operation of the D Flip-Flop and Latch will follow the functional descriptions below:

- DFF: CLK is rising edge triggered, then Q = D; otherwise Q will not change
- Latch: when CLK is Low, then Q = D; otherwise Q remains its previous value (input D has no effect on the output, when CLK is High).

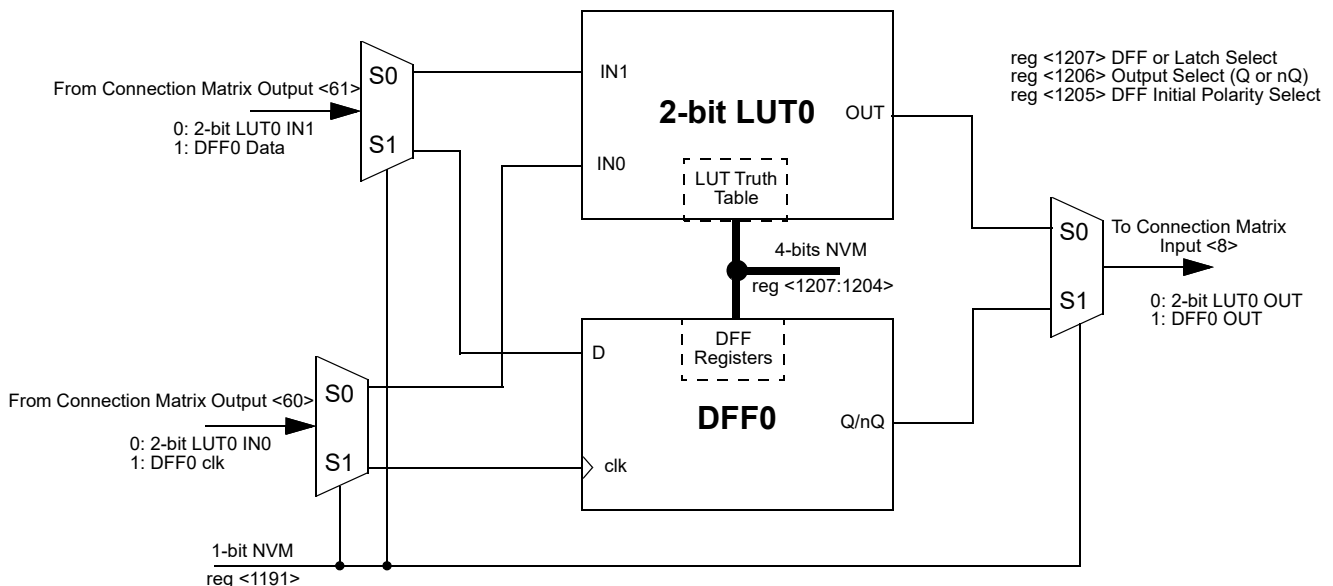


Figure 10. 2-bit LUT0 or DFF0

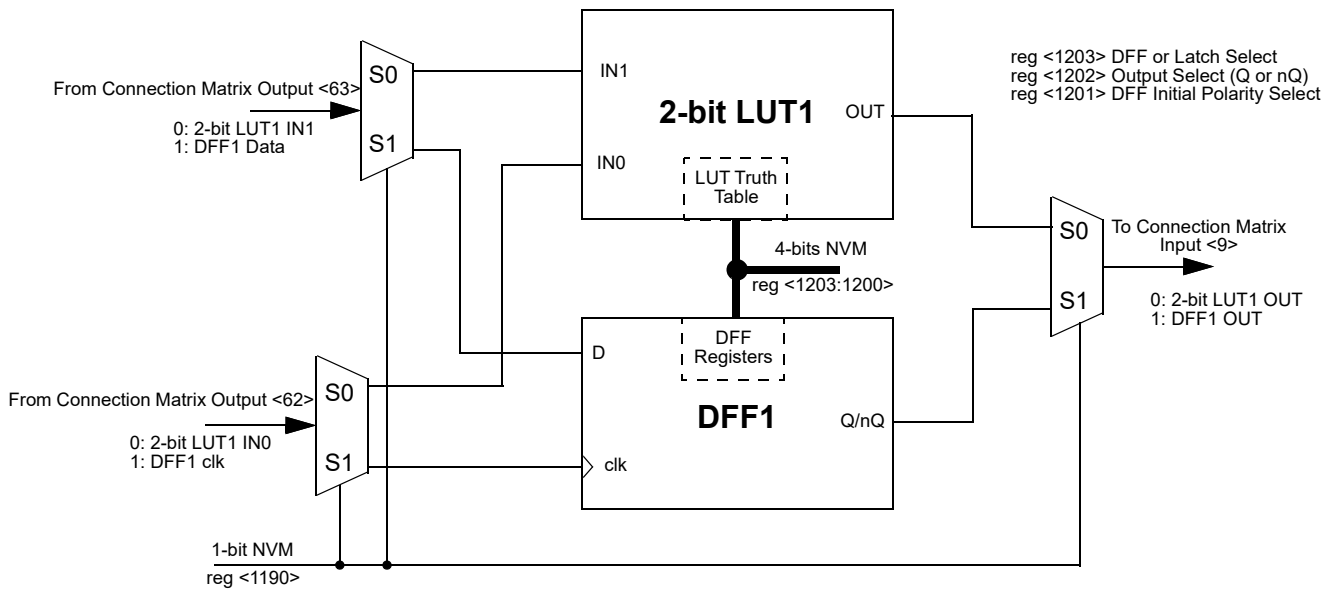


Figure 11. 2-bit LUT1 or DFF1

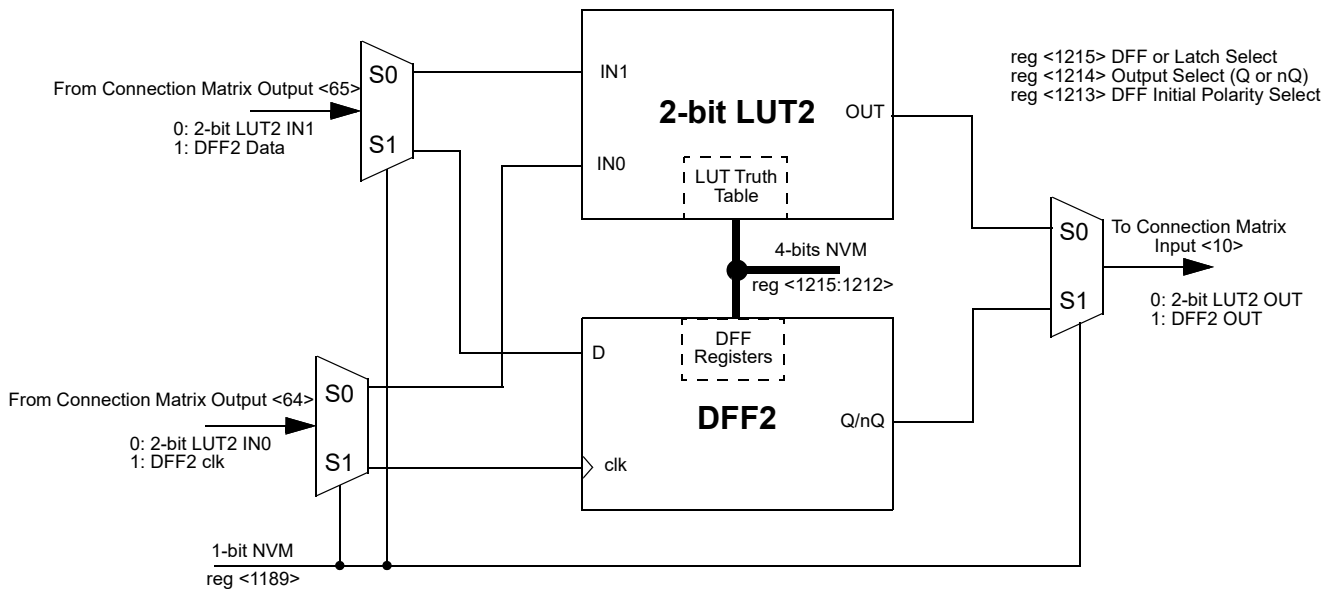


Figure 12. 2-bit LUT2 or DFF2



9.1.1 2-Bit LUT or D Flip Flop Macrocells Used as 2-Bit LUTs

Table 40. 2-bit LUT0 Truth Table

| IN1 | IN0 | OUT        |     |
|-----|-----|------------|-----|
| 0   | 0   | reg <1204> | LSB |
| 0   | 1   | reg <1205> |     |
| 1   | 0   | reg <1206> |     |
| 1   | 1   | reg <1207> | MSB |

Table 42. 2-bit LUT2 Truth Table

| IN1 | IN0 | OUT        |     |
|-----|-----|------------|-----|
| 0   | 0   | reg <1212> | LSB |
| 0   | 1   | reg <1213> |     |
| 1   | 0   | reg <1214> |     |
| 1   | 1   | reg <1215> | MSB |

Table 41. 2-bit LUT1 Truth Table

| IN1 | IN0 | OUT        |     |
|-----|-----|------------|-----|
| 0   | 0   | reg <1200> | LSB |
| 0   | 1   | reg <1201> |     |
| 1   | 0   | reg <1202> |     |
| 1   | 1   | reg <1203> | MSB |

Each Macrocell, when programmed for a LUT function, uses a 4-bit register to define their output function:

*2-Bit LUT0 is defined by reg<1207:1204>*

*2-Bit LUT1 is defined by reg<1203:1200>*

*2-Bit LUT2 is defined by reg<1215:1212>*

The table below shows the register bits for the standard digital logic devices (AND, NAND, OR, NOR, XOR, XNOR) that can be created within each of the two 2-bit LUT logic cells.

Table 43. 2-bit LUT Standard Digital Functions

| Function | MSB |   |   | LSB |
|----------|-----|---|---|-----|
| AND-2    | 1   | 0 | 0 | 0   |
| NAND-2   | 0   | 1 | 1 | 1   |
| OR-2     | 1   | 1 | 1 | 0   |
| NOR-2    | 0   | 0 | 0 | 1   |
| XOR-2    | 0   | 1 | 1 | 0   |
| XNOR-2   | 1   | 0 | 0 | 1   |

**9.1.2 2-Bit LUT or D Flip Flop Macrocells Used as D Flip Flop Register Settings**
**Table 44. DFF0 Register Settings**

| Signal Function              | Register Bit Address | Register Definition                  |
|------------------------------|----------------------|--------------------------------------|
| LUT2_0 or DFF0 Select        | <1191>               | 0: LUT2_0<br>1: DFF0                 |
| DFF0 Initial Polarity Select | <1205>               | 0: Low<br>1: High                    |
| DFF0 Output Select           | <1206>               | 0: Q output<br>1: nQ output          |
| DFF0 or Latch Select         | <1207>               | 0: DFF function<br>1: Latch function |

**Table 45. DFF1 Register Settings**

| Signal Function              | Register Bit Address | Register Definition                  |
|------------------------------|----------------------|--------------------------------------|
| LUT2_1 or DFF1 Select        | <1190>               | 0: LUT2_1<br>1: DFF1                 |
| DFF1 Initial Polarity Select | <1201>               | 0: Low<br>1: High                    |
| DFF1 Output Select           | <1202>               | 0: Q output<br>1: nQ output          |
| Select or Latch select       | <1203>               | 0: DFF function<br>1: Latch function |

**Table 46. DFF2 Register Settings**

| Signal Function              | Register Bit Address | Register Definition                  |
|------------------------------|----------------------|--------------------------------------|
| LUT2_2 or DFF2 Select        | <1189>               | 0: LUT2_2<br>1: DFF2                 |
| DFF2 Initial Polarity Select | <1213>               | 0: Low<br>1: High                    |
| DFF2 Output Select           | <1214>               | 0: Q output<br>1: nQ output          |
| DFF2 or Latch Select         | <1215>               | 0: DFF function<br>1: Latch function |

9.2 Initial Polarity Operations

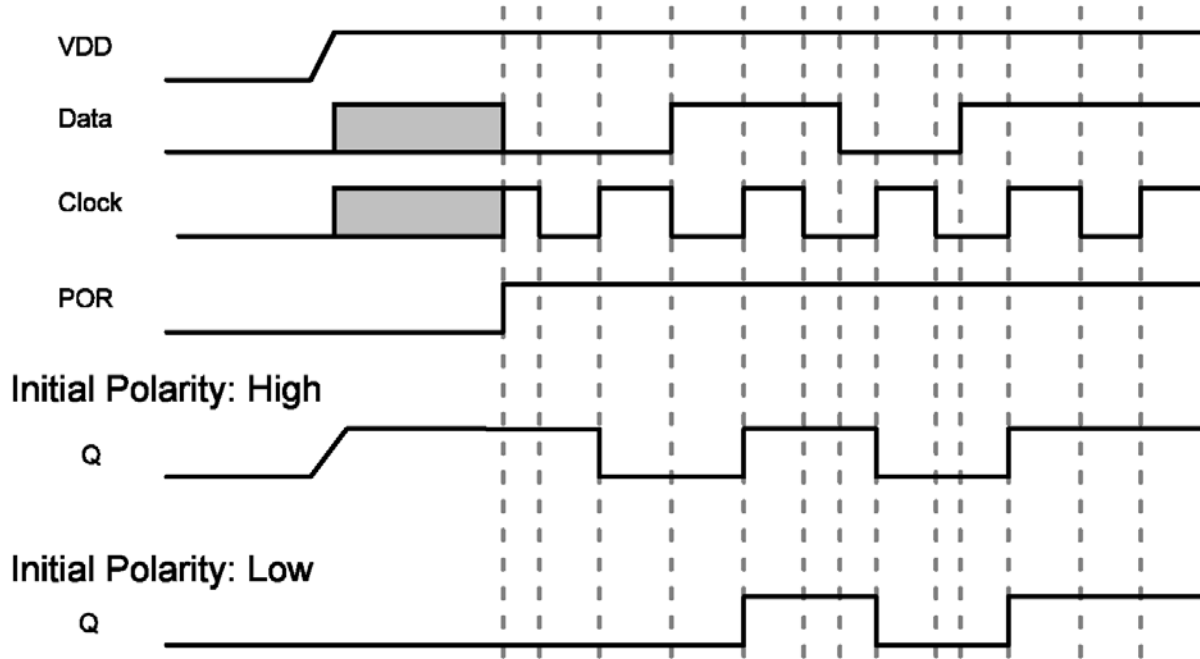


Figure 13. DFF Polarity Operations

9.3 3-Bit LUT or D Flip Flop with Set/Reset Macrocells

There are five macrocells that can serve as either 3-bit LUTs or as D Flip Flops with Set/Reset inputs. When used to implement LUT functions, the 3-bit LUTs each take in three input signals from the connection matrix and produce a single output, which goes back into the connection matrix. When used to implement D Flip Flop function, the three input signals from the connection matrix go to the data (D) and clock (clk) and Set/Reset (nRST/nSET) inputs for the Flip Flop, with the output going back to the connection matrix.

DFF3 has a user selectable option to allow the macrocell output to either come from the Q/nQ output of one D Flip Flop, or two D Flip Flops in series, with the first D Flip Flop triggering on the rising clock edge, and the second D Flip Flop triggering on the falling clock edge.

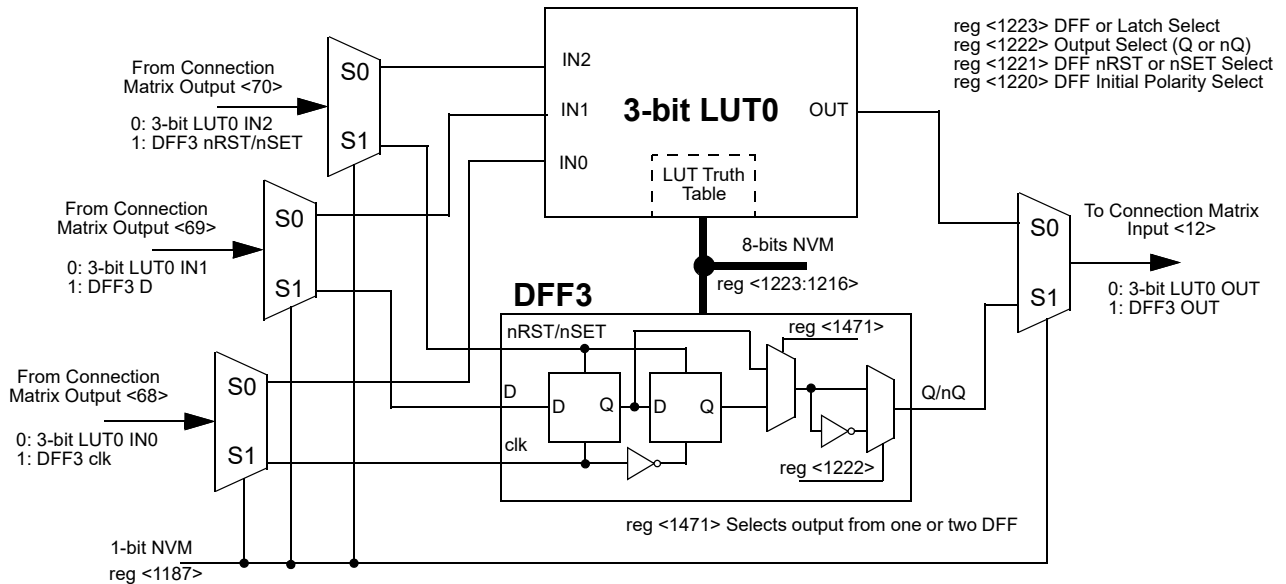


Figure 14. 3-bit LUT0 or DFF3 with RST/SET



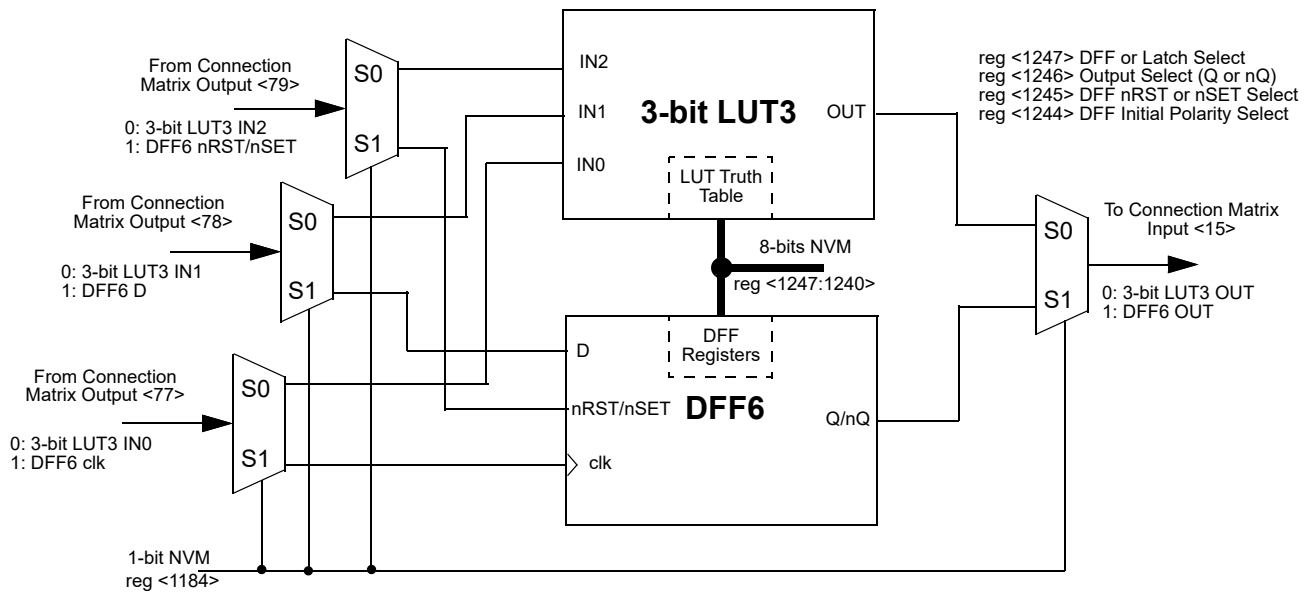


Figure 17. 3-bit LUT3 or DFF6 with RST/SET

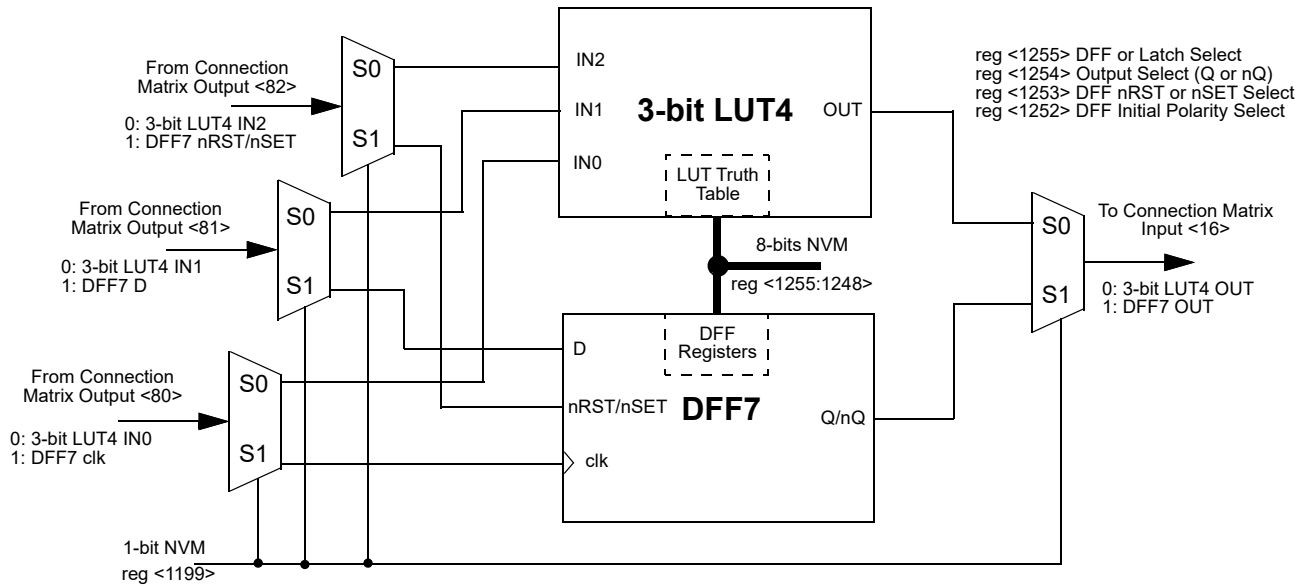


Figure 18. 3-bit LUT4 or DFF7 with RST/SET

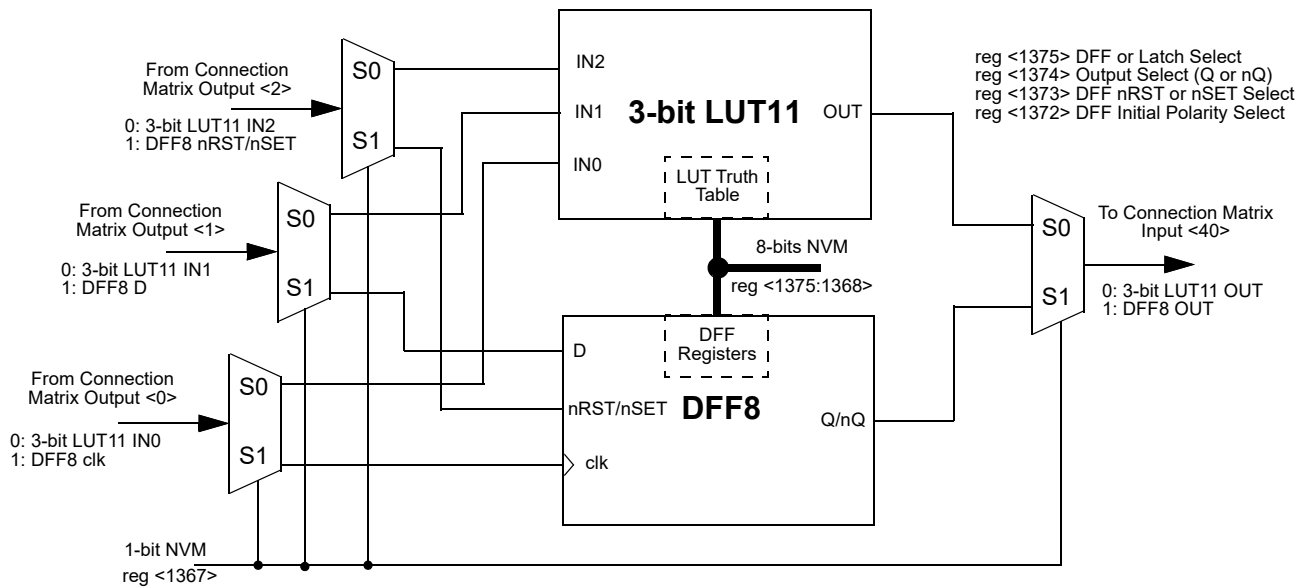


Figure 19. 3-bit LUT11 or DFF8 with RST/SET

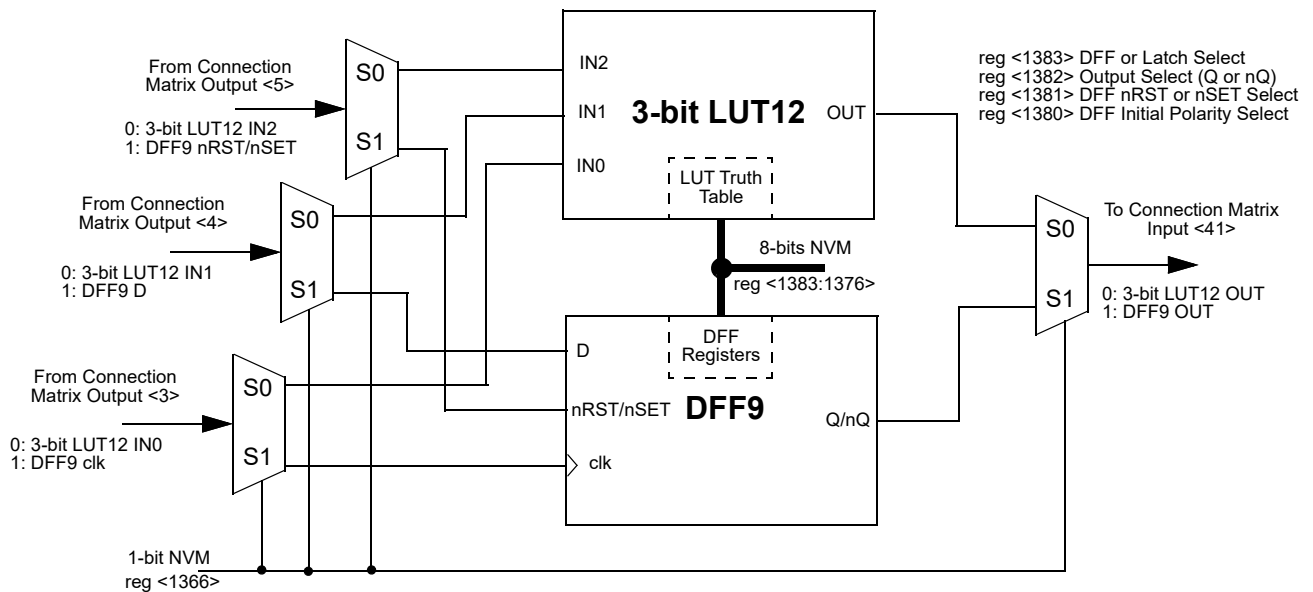


Figure 20. 3-bit LUT12 or DFF9 with RST/SET

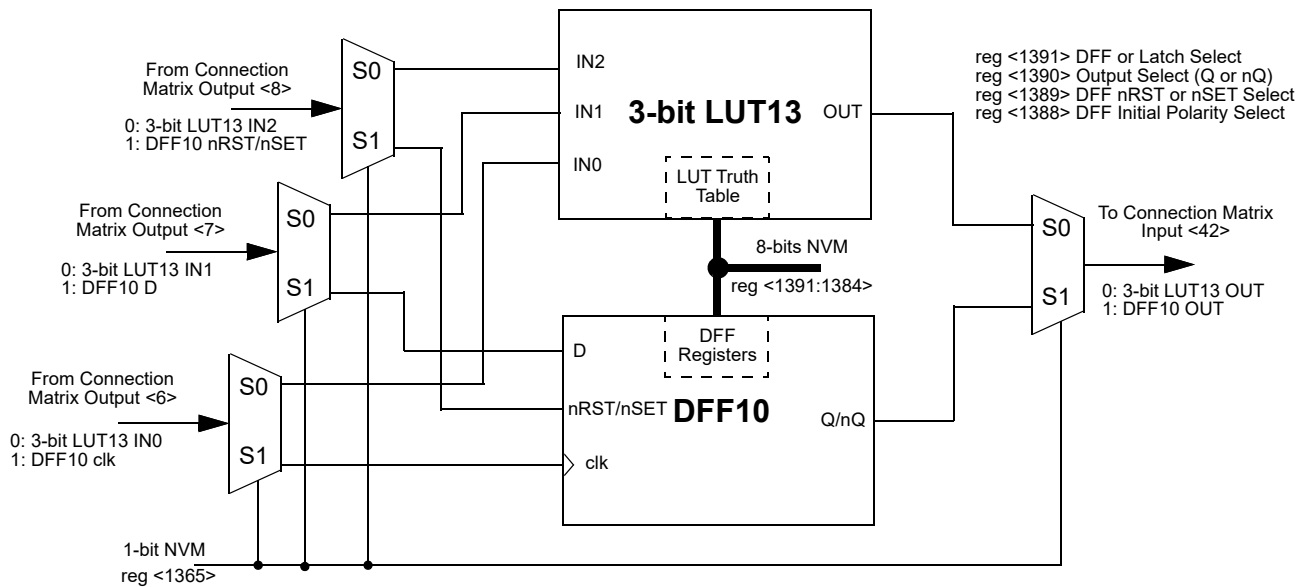


Figure 21. 3-bit LUT13 or DFF10 with RST/SET

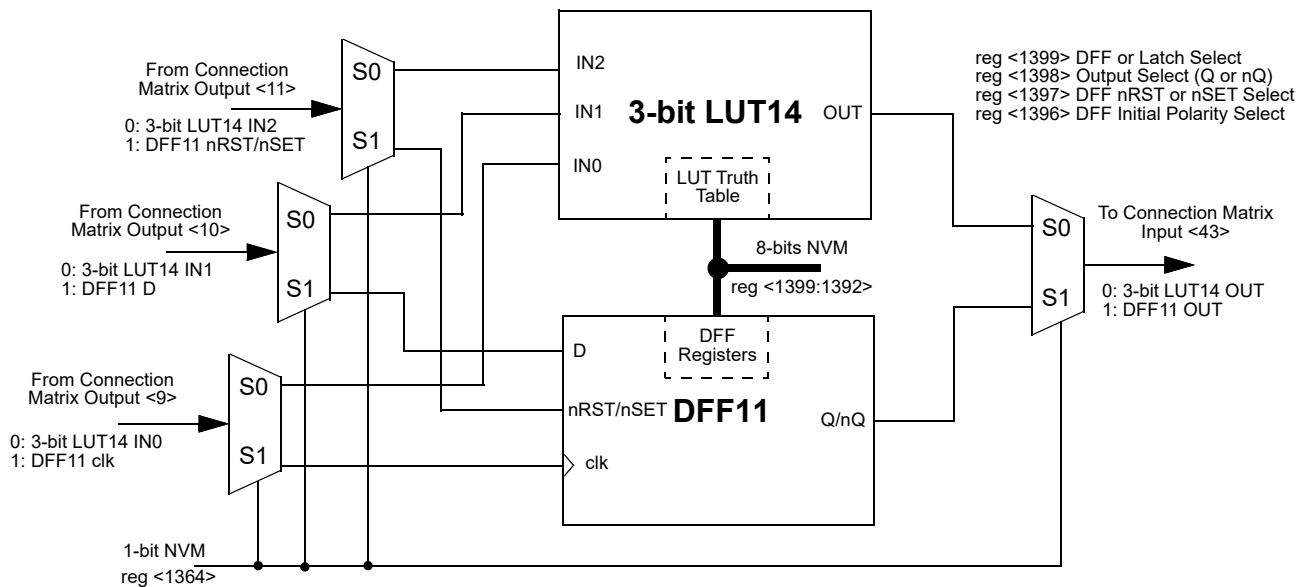


Figure 22. 3-bit LUT14 or DFF11 with RST/SET



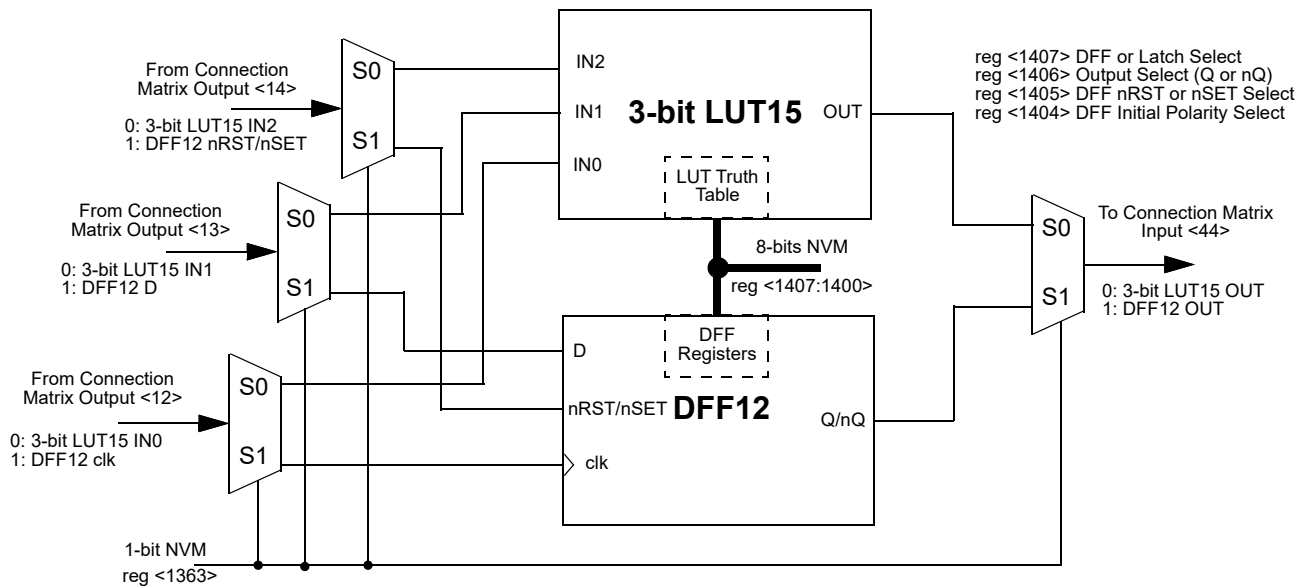


Figure 23. 3-bit LUT15 or DFF12 with RST/SET

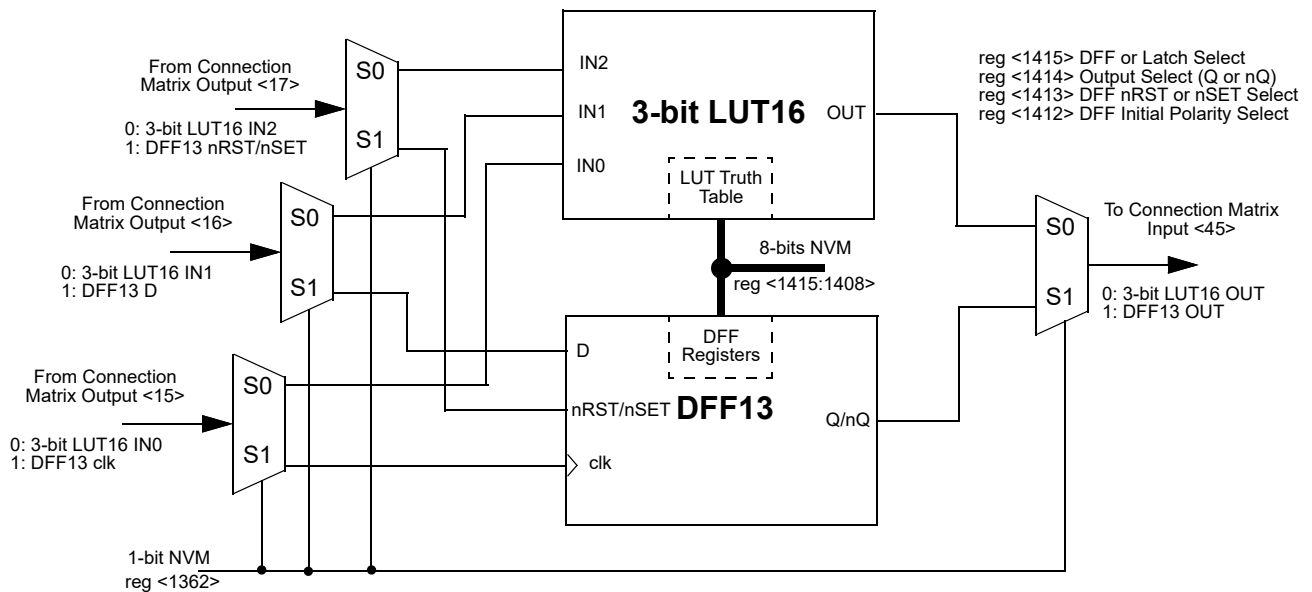


Figure 24. 3-bit LUT16 or DFF13 with RST/SET



9.3.1 3-Bit LUT or D Flip Flop Macrocells Used as 3-Bit LUTs

Table 47. 3-bit LUT0 Truth Table

| IN2 | IN1 | IN0 | OUT        |     |
|-----|-----|-----|------------|-----|
| 0   | 0   | 0   | reg <1216> | LSB |
| 0   | 0   | 1   | reg <1217> |     |
| 0   | 1   | 0   | reg <1218> |     |
| 0   | 1   | 1   | reg <1219> |     |
| 1   | 0   | 0   | reg <1220> |     |
| 1   | 0   | 1   | reg <1221> |     |
| 1   | 1   | 0   | reg <1222> |     |
| 1   | 1   | 1   | reg <1223> | MSB |

Table 48. 3-bit LUT1 Truth Table

| IN2 | IN1 | IN0 | OUT        |     |
|-----|-----|-----|------------|-----|
| 0   | 0   | 0   | reg <1224> | LSB |
| 0   | 0   | 1   | reg <1225> |     |
| 0   | 1   | 0   | reg <1226> |     |
| 0   | 1   | 1   | reg <1227> |     |
| 1   | 0   | 0   | reg <1228> |     |
| 1   | 0   | 1   | reg <1229> |     |
| 1   | 1   | 0   | reg <1230> |     |
| 1   | 1   | 1   | reg <1231> | MSB |

Table 49. 3-bit LUT2 Truth Table

| IN2 | IN1 | IN0 | OUT        |     |
|-----|-----|-----|------------|-----|
| 0   | 0   | 0   | reg <1232> | LSB |
| 0   | 0   | 1   | reg <1233> |     |
| 0   | 1   | 0   | reg <1234> |     |
| 0   | 1   | 1   | reg <1235> |     |
| 1   | 0   | 0   | reg <1236> |     |
| 1   | 0   | 1   | reg <1237> |     |
| 1   | 1   | 0   | reg <1238> |     |
| 1   | 1   | 1   | reg <1239> | MSB |

Table 50. 3-bit LUT3 Truth Table

| IN2 | IN1 | IN0 | OUT        |     |
|-----|-----|-----|------------|-----|
| 0   | 0   | 0   | reg <1240> | LSB |
| 0   | 0   | 1   | reg <1241> |     |
| 0   | 1   | 0   | reg <1242> |     |
| 0   | 1   | 1   | reg <1243> |     |
| 1   | 0   | 0   | reg <1244> |     |
| 1   | 0   | 1   | reg <1245> |     |
| 1   | 1   | 0   | reg <1246> |     |
| 1   | 1   | 1   | reg <1247> | MSB |

Table 51. 3-bit LUT4 Truth Table

| IN2 | IN1 | IN0 | OUT        |     |
|-----|-----|-----|------------|-----|
| 0   | 0   | 0   | reg <1248> | LSB |
| 0   | 0   | 1   | reg <1249> |     |
| 0   | 1   | 0   | reg <1250> |     |
| 0   | 1   | 1   | reg <1251> |     |
| 1   | 0   | 0   | reg <1252> |     |
| 1   | 0   | 1   | reg <1253> |     |
| 1   | 1   | 0   | reg <1254> |     |
| 1   | 1   | 1   | reg <1255> | MSB |

Table 52. 3-bit LUT11 Truth Table

| IN2 | IN1 | IN0 | OUT        |     |
|-----|-----|-----|------------|-----|
| 0   | 0   | 0   | reg <1368> | LSB |
| 0   | 0   | 1   | reg <1369> |     |
| 0   | 1   | 0   | reg <1370> |     |
| 0   | 1   | 1   | reg <1371> |     |
| 1   | 0   | 0   | reg <1372> |     |
| 1   | 0   | 1   | reg <1373> |     |
| 1   | 1   | 0   | reg <1374> |     |
| 1   | 1   | 1   | reg <1375> | MSB |

Table 53. 3-bit LUT12 Truth Table

| IN2 | IN1 | IN0 | OUT        |     |
|-----|-----|-----|------------|-----|
| 0   | 0   | 0   | reg <1376> | LSB |
| 0   | 0   | 1   | reg <1377> |     |
| 0   | 1   | 0   | reg <1378> |     |
| 0   | 1   | 1   | reg <1379> |     |
| 1   | 0   | 0   | reg <1380> |     |
| 1   | 0   | 1   | reg <1381> |     |
| 1   | 1   | 0   | reg <1382> |     |
| 1   | 1   | 1   | reg <1383> | MSB |

Table 54. 3-bit LUT13 Truth Table

| IN2 | IN1 | IN0 | OUT        |     |
|-----|-----|-----|------------|-----|
| 0   | 0   | 0   | reg <1384> | LSB |
| 0   | 0   | 1   | reg <1385> |     |
| 0   | 1   | 0   | reg <1386> |     |
| 0   | 1   | 1   | reg <1387> |     |
| 1   | 0   | 0   | reg <1388> |     |
| 1   | 0   | 1   | reg <1389> |     |
| 1   | 1   | 0   | reg <1390> |     |
| 1   | 1   | 1   | reg <1391> | MSB |

Table 55. 3-bit LUT14 Truth Table

| IN2 | IN1 | IN0 | OUT        |     |
|-----|-----|-----|------------|-----|
| 0   | 0   | 0   | reg <1392> | LSB |
| 0   | 0   | 1   | reg <1393> |     |
| 0   | 1   | 0   | reg <1394> |     |
| 0   | 1   | 1   | reg <1395> |     |
| 1   | 0   | 0   | reg <1396> |     |
| 1   | 0   | 1   | reg <1397> |     |
| 1   | 1   | 0   | reg <1398> |     |
| 1   | 1   | 1   | reg <1399> | MSB |

Table 56. 3-bit LUT15 Truth Table

| IN2 | IN1 | IN0 | OUT        |     |
|-----|-----|-----|------------|-----|
| 0   | 0   | 0   | reg <1400> | LSB |
| 0   | 0   | 1   | reg <1401> |     |
| 0   | 1   | 0   | reg <1402> |     |
| 0   | 1   | 1   | reg <1403> |     |
| 1   | 0   | 0   | reg <1404> |     |
| 1   | 0   | 1   | reg <1405> |     |
| 1   | 1   | 0   | reg <1406> |     |
| 1   | 1   | 1   | reg <1407> | MSB |

Table 57. 3-bit LUT16 Truth Table

| IN2 | IN1 | IN0 | OUT        |     |
|-----|-----|-----|------------|-----|
| 0   | 0   | 0   | reg <1408> | LSB |
| 0   | 0   | 1   | reg <1409> |     |
| 0   | 1   | 0   | reg <1410> |     |
| 0   | 1   | 1   | reg <1411> |     |
| 1   | 0   | 0   | reg <1412> |     |
| 1   | 0   | 1   | reg <1413> |     |
| 1   | 1   | 0   | reg <1414> |     |
| 1   | 1   | 1   | reg <1415> | MSB |

Table 58. 3-bit LUT17 Truth Table

| IN2 | IN1 | IN0 | OUT        |     |
|-----|-----|-----|------------|-----|
| 0   | 0   | 0   | reg <1416> | LSB |
| 0   | 0   | 1   | reg <1417> |     |
| 0   | 1   | 0   | reg <1418> |     |
| 0   | 1   | 1   | reg <1419> |     |
| 1   | 0   | 0   | reg <1420> |     |
| 1   | 0   | 1   | reg <1421> |     |
| 1   | 1   | 0   | reg <1422> |     |
| 1   | 1   | 1   | reg <1423> | MSB |

Each Macrocell, when programmed for a LUT function, uses a 8-bit register to define their output function:

3-Bit LUT0 is defined by reg<1223:1216>

3-Bit LUT1 is defined by reg<1231:1324>

3-Bit LUT2 is defined by reg<1239:1232>

3-Bit LUT3 is defined by reg<1247:1240>

3-Bit LUT5 is defined by reg<1235:1248>

The table below shows the register bits for the standard digital logic devices (AND, NAND, OR, NOR, XOR, XNOR) that can be created within each of the six 3-bit LUT logic cells.

Table 59. 3-bit LUT Standard Digital Functions

| Function | MSB |   |   |   |   |   |   | LSB |
|----------|-----|---|---|---|---|---|---|-----|
| AND-3    | 1   | 0 | 0 | 0 | 0 | 0 | 0 | 0   |
| NAND-3   | 0   | 1 | 1 | 1 | 1 | 1 | 1 | 1   |
| OR-3     | 1   | 1 | 1 | 1 | 1 | 1 | 1 | 0   |
| NOR-3    | 0   | 0 | 0 | 0 | 0 | 0 | 0 | 1   |
| XOR-3    | 1   | 0 | 0 | 1 | 0 | 1 | 1 | 0   |
| XNOR-3   | 0   | 1 | 1 | 0 | 1 | 0 | 0 | 1   |

**9.3.2 3-Bit LUT or D Flip Flop Macrocells Used as D Flip Flop Register Settings**
**Table 60. DFF3 Register Settings**

| Signal Function              | Register Bit Address | Register Definition                                |
|------------------------------|----------------------|--|
| LUT3_0 or DFF3 Select        | reg<1187>            | 0: LUT3_0<br>1: DFF3                               |
| DFF3 Initial Polarity Select | reg<1220>            | 0: Low<br>1: High                                  |
| DFF3 nRST/nSET Select        | reg<1221>            | 1: nSET from matrix out<br>0: nRST from matrix out |
| DFF3 Output Select           | reg<1222>            | 0: Q output<br>1: nQ output                        |
| DFF3 or Latch Select         | reg<1223>            | 0: DFF function<br>1: Latch function               |

**Table 61. DFF4 Register Settings**

| Signal Function              | Register Bit Address | Register Definition                                |
|------------------------------|----------------------|--|
| LUT3_1 or DFF4 Select        | reg<1186>            | 0: LUT3_1<br>1: DFF4                               |
| DFF4 Initial Polarity Select | reg<1128>            | 0: Low<br>1: High                                  |
| DFF4 nRST/nSET Select        | reg<1129>            | 1: nSET from matrix out<br>0: nRST from matrix out |
| DFF4 Output Select           | reg<1130>            | 0: Q output<br>1: nQ output                        |
| DFF4 or Latch Select         | reg<1131>            | 0: DFF function<br>1: Latch function               |

**Table 62. DFF5 Register Settings**

| Signal Function              | Register Bit Address | Register Definition                                |
|------------------------------|----------------------|--|
| LUT3_2 or DFF5 Select        | reg<1185>            | 0: LUT3_2<br>1: DFF5                               |
| DFF5 Initial Polarity Select | reg<1236>            | 0: Low<br>1: High                                  |
| DFF5 nRST/nSET Select        | reg<1237>            | 1: nSET from matrix out<br>0: nRST from matrix out |
| DFF5 Output Select           | reg<1238>            | 0: Q output<br>1: nQ output                        |
| DFF5 or Latch Select         | reg<1239>            | 0: DFF function<br>1: Latch function               |

**Table 63. DFF6 Register Settings**

| Signal Function              | Register Bit Address | Register Definition                                |
|------------------------------|----------------------|--|
| LUT3_3 or DFF6 Select        | reg<1184>            | 0: LUT3_3<br>1: DFF6                               |
| DFF6 Initial Polarity Select | reg<1244>            | 0: Low<br>1: High                                  |
| DFF6 nRST/nSET Select        | reg<1245>            | 1: nSET from matrix out<br>0: nRST from matrix out |
| DFF6 Output Select           | reg<1246>            | 0: Q output<br>1: nQ output                        |
| DFF6 or Latch Select         | reg<1247>            | 0: DFF function<br>1: Latch function               |

**Table 64. DFF7 Register Settings**

| Signal Function              | Register Bit Address | Register Definition                                |
|------------------------------|----------------------|--|
| LUT3_4 or DFF7 Select        | reg<1199>            | 0: LUT3_4<br>1: DFF7                               |
| DFF7 Initial Polarity Select | reg<1252>            | 0: Low<br>1: High                                  |
| DFF7 nRST/nSET Select        | reg<1253>            | 1: nSET from matrix out<br>0: nRST from matrix out |
| DFF7 Output Select           | reg<1254>            | 0: Q output<br>1: nQ output                        |
| DFF7 or Latch Select         | reg<1255>            | 0: DFF function<br>1: Latch function               |

9.4 Initial Polarity Operations

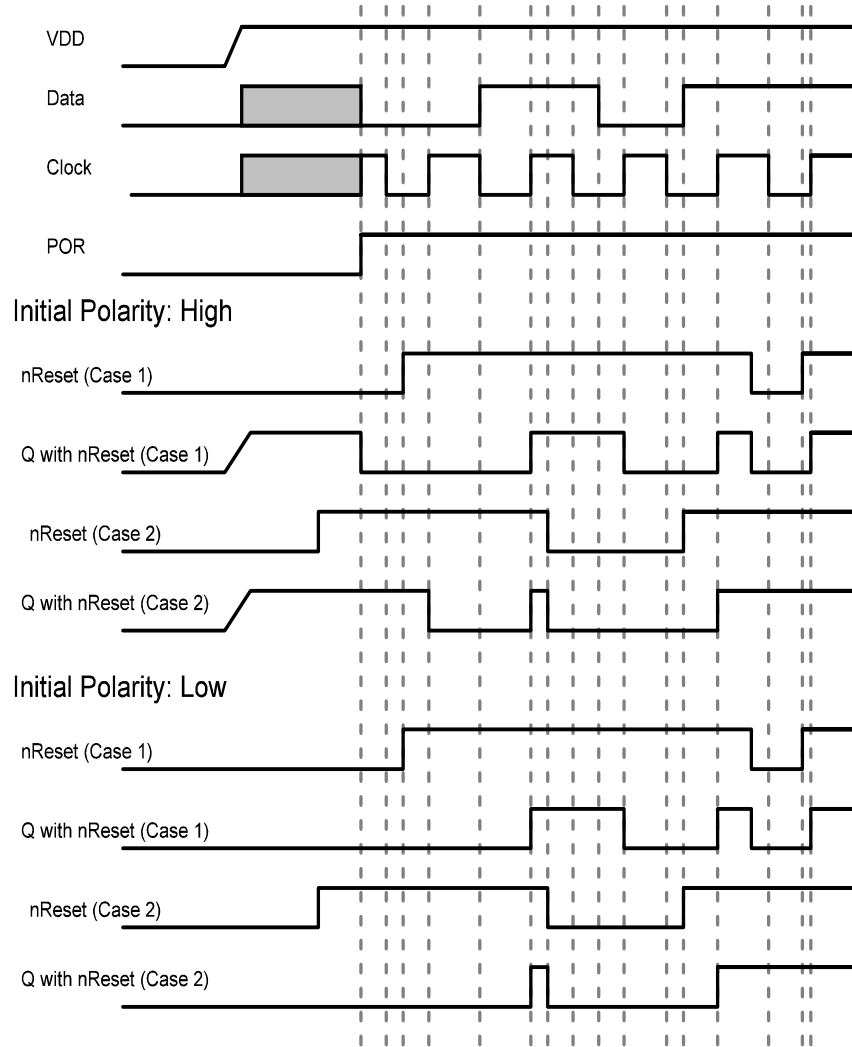


Figure 26. DFF Polarity Operations with nReset

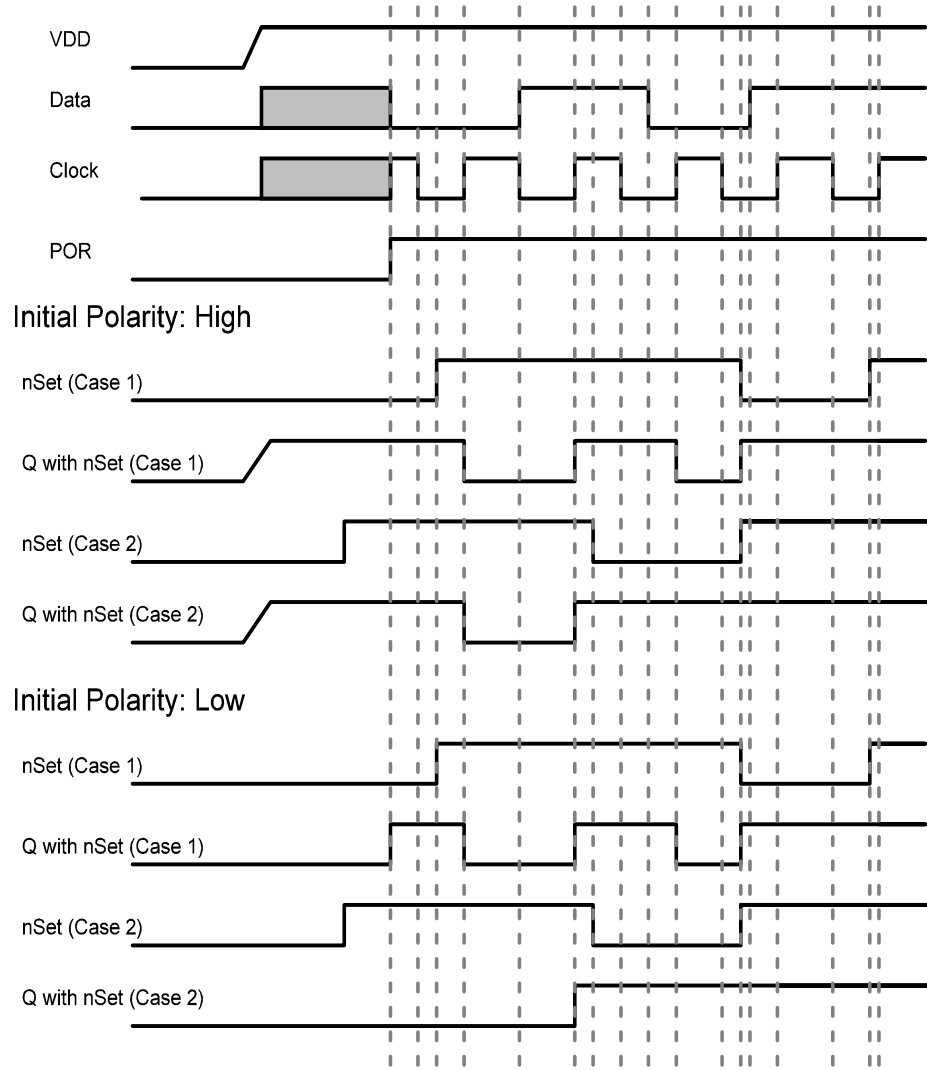


Figure 27. DFF Polarity Operations with nSet



9.5 3-Bit LUT or Pipe Delay Macrocell

There is one macrocell that can serve as either a 3-bit LUT or as a Pipe Delay.

When used to implement LUT functions, the 3-bit LUT take in three input signals from the connection matrix and produces a single output, which goes back into the connection matrix.

When used as a pipe delay, there are three inputs signals from the matrix: Input (IN), Clock (CLK) and Reset (nRST). The pipe delay cell is built from 16 D Flip-Flop logic cells that provide the three delay options, two of which are user selectable. The DFF cells are tied in series where the output (Q) of each delay cell goes to the next DFF cell. The first delay option (OUT2) is fixed at the output of the first flip-flop stage. The other two outputs (OUT0 and OUT1) provide user selectable options for 1 to 16 stages of delay. There are delay output points for each set of the OUT0 and OUT1 outputs to a 16-input mux that is controlled by reg <1259:1256> for OUT0 and reg <1263:1260> for OUT1. The 16-input mux is used to select the amount of delay.

The overall time of the delay is based on the clock used in the SLG46537 design. Each DFF cell has a time delay of the inverse of the clock time (either external clock or the RC Oscillator within the SLG46537). The sum of the number of DFF cells used will be the total time delay of the Pipe Delay logic cell.

Note: CLK is rising edge triggered.

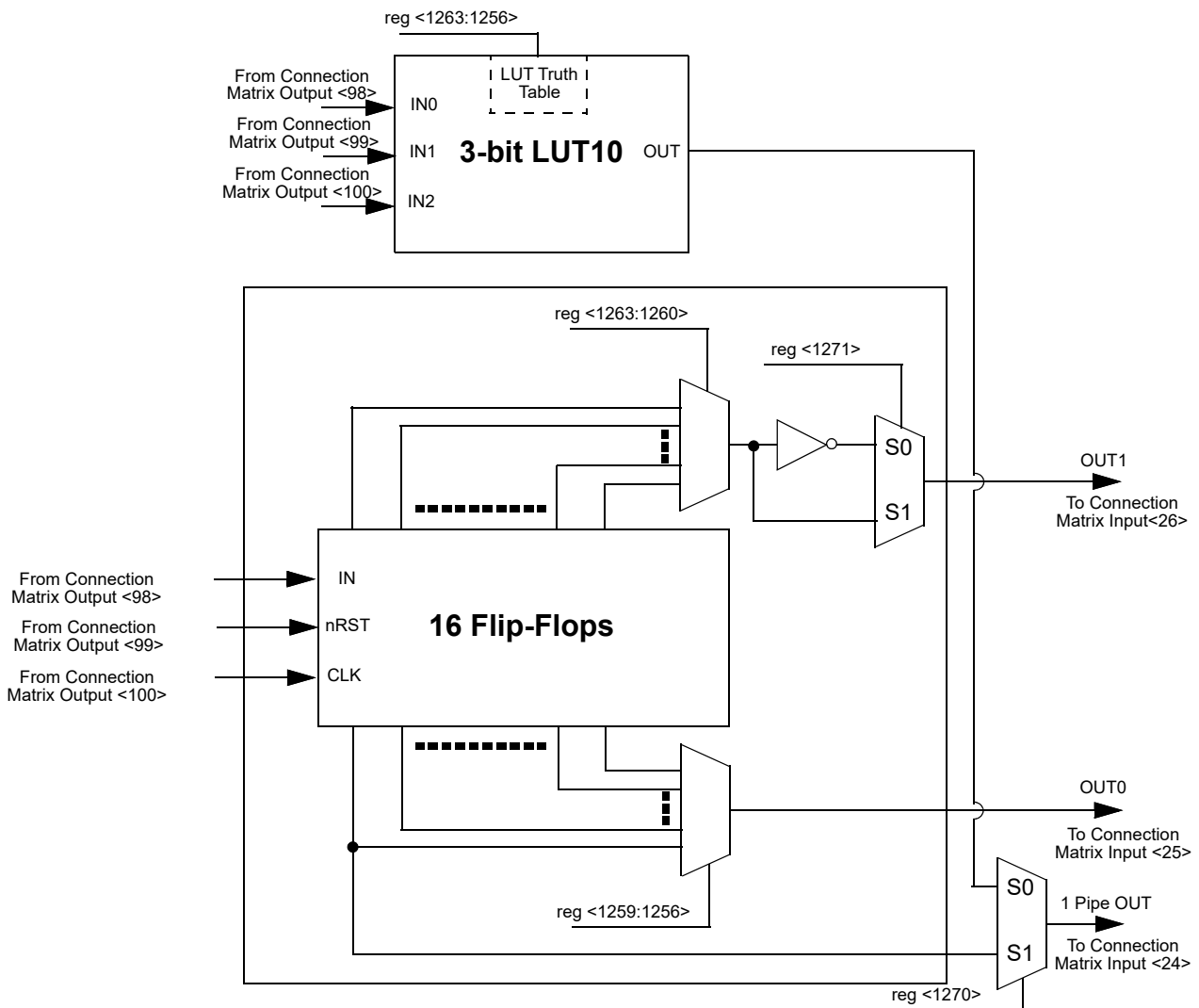


Figure 28. 3-bit LUT10 or Pipe Delay

9.5.1 3-Bit LUT or Pipe Delay Macrocells Used as 3-Bit LUTs

Table 65. 3-bit LUT10 Truth Table

| IN2 | IN1 | IN0 | OUT        |     |
|-----|-----|-----|------------|-----|
| 0   | 0   | 0   | reg <1256> | LSB |
| 0   | 0   | 1   | reg <1257> |     |
| 0   | 1   | 0   | reg <1258> |     |
| 0   | 1   | 1   | reg <1259> |     |
| 1   | 0   | 0   | reg <1260> |     |
| 1   | 0   | 1   | reg <1261> |     |
| 1   | 1   | 0   | reg <1262> |     |
| 1   | 1   | 1   | reg <1263> | MSB |

Each Macrocell, when programmed for a LUT function, uses a 8-bit register to define their output function:

*3-Bit LUT10 is defined by reg<1263:1256>*

9.5.2 3-Bit LUT or Pipe Delay Macrocells Used as Pipe Delay Register Settings

Table 66. Pipe Delay Register Settings

| Signal Function                     | Register Bit Address | Register Definition                  |
|-------------------------------------|----------------------|--------------------------------------|
| LUT3_10 or Pipe Delay Output Select | reg<1270>            | 0: LUT3_10<br>1: 1 Pipe Delay Output |
| OUT0 select                         | reg<1259:1256>       |                                      |
| OUT1 select                         | reg<1263:1260>       |                                      |
| Pipe delay OUT1 Polarity Select Bit | reg<1271>            | 0: Non-inverted<br>1: Inverted       |

9.6 3-Bit LUT or 8-Bit Counter / Delay Macrocells

There are five macrocells that can serve as either 3-bit LUTs or as Counter / Delays. When used to implement LUT function, the 3-bit LUT takes in three input signals from the connection matrix and produces a single output, which goes back into the connection matrix. When used to implement 8-Bit Counter / Delay function, two of the three input signals from the connection matrix go to the external clock (ext\_clk) and reset (DLY\_in/CNT\_Reset) for the counter/delay, with the output going back to the connection matrix.

These macrocells can also operate in a one-shot mode, which will generate an output pulse of user-defined width.

These macrocells can also operate in a frequency detection or edge detection mode.

For timing diagrams refer to section 9.8 CNT/DLY/FSM Timing Diagrams.

Note: Counters initialize with counter data after POR

Two of the five macrocells can have their active count value read via I<sup>2</sup>C (CNT4 and CNT6). See Section 19.5.1.2 Reading Counter Data via I2C for further details.

9.6.1 3-Bit LUT or 8- Bit CNT/DLY Block Diagrams

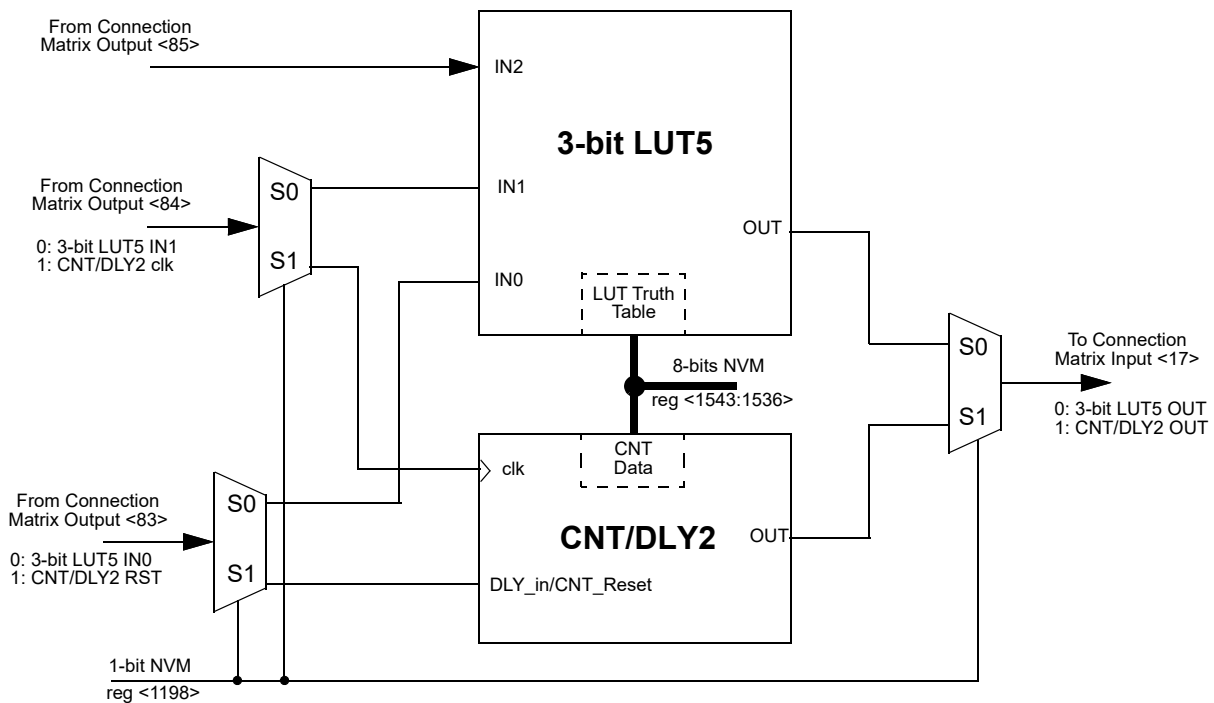


Figure 29. 3-bit LUT5 or CNT/DLY2

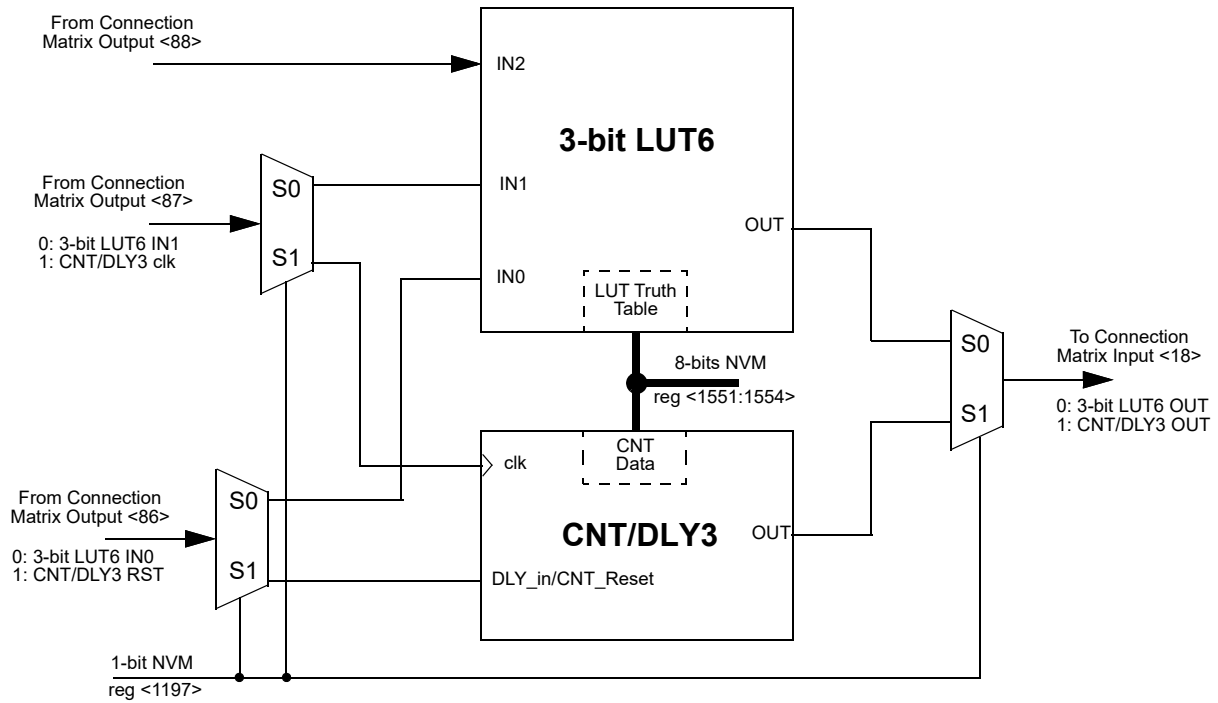


Figure 30. 3-bit LUT6 or CNT/DLY3

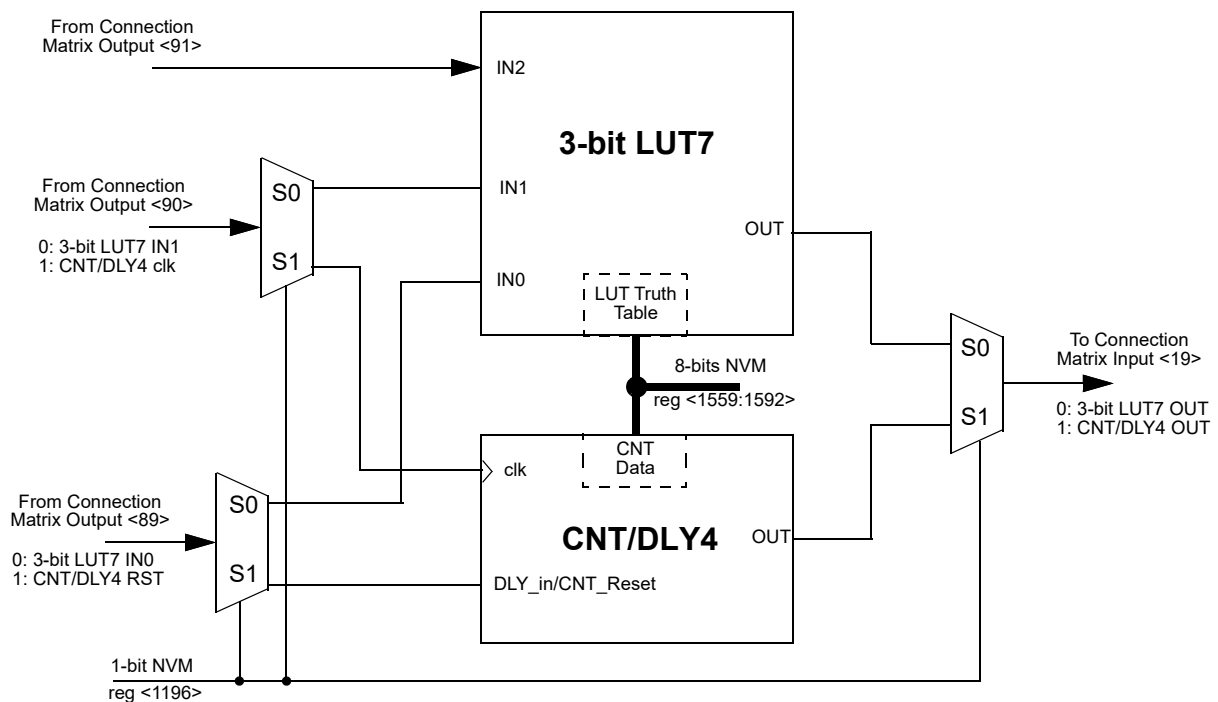


Figure 31. 3-bit LUT7 or CNT/DLY4

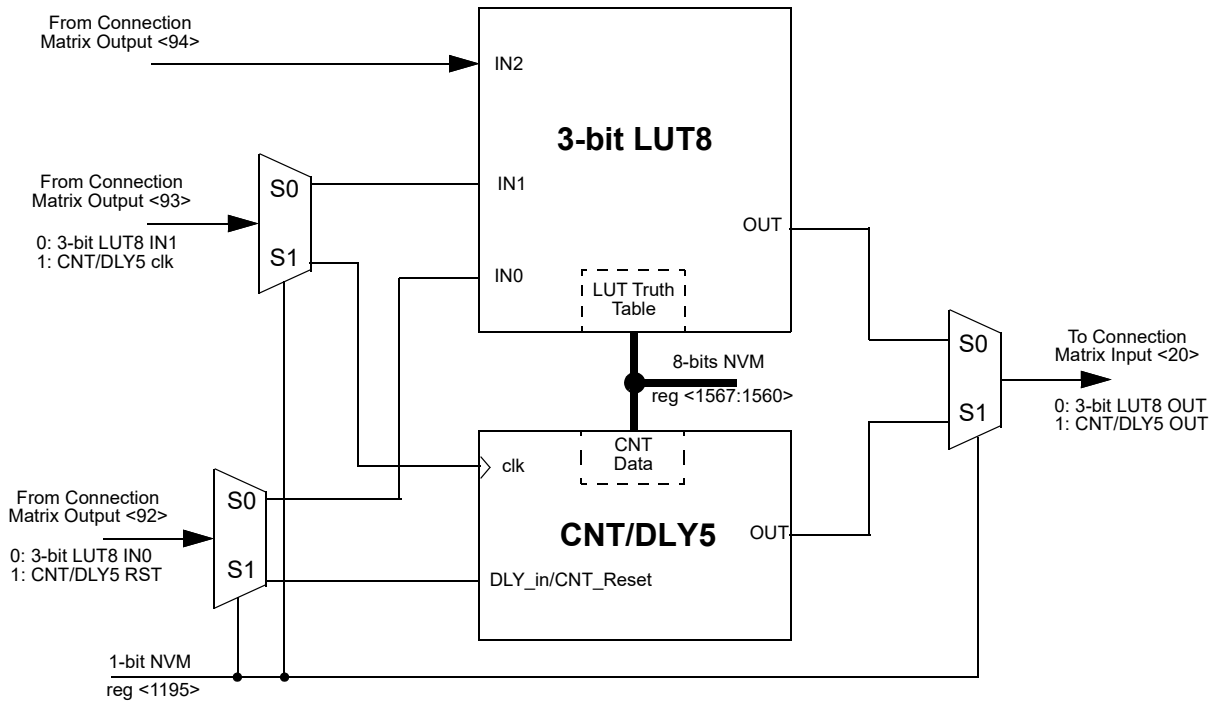


Figure 32. 3-bit LUT8 or CNT/DLY5

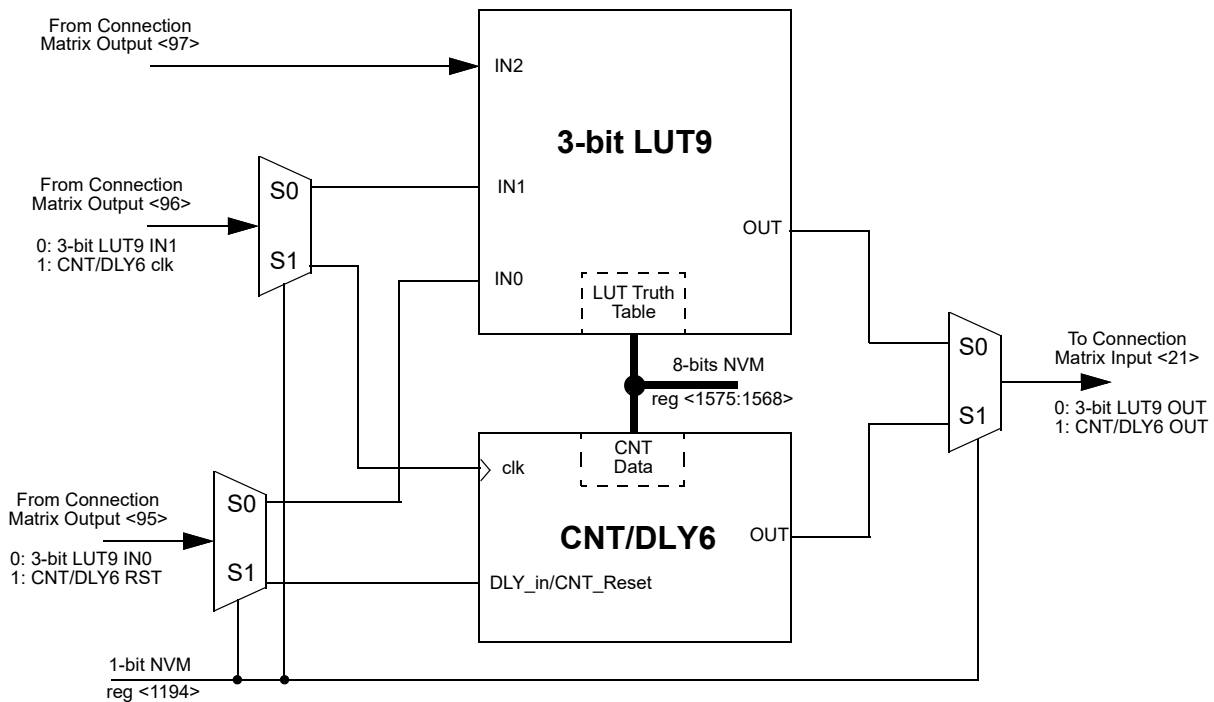


Figure 33. 3-bit LUT9 or CNT/DLY6

9.6.2 3-Bit LUT or D Flip Flop Macrocells Used as 3-Bit LUTs

Table 67. 3-bit LUT0 Truth Table

| IN2 | IN1 | IN0 | OUT        |     |
|-----|-----|-----|------------|-----|
| 0   | 0   | 0   | reg <1216> | LSB |
| 0   | 0   | 1   | reg <1217> |     |
| 0   | 1   | 0   | reg <1218> |     |
| 0   | 1   | 1   | reg <1219> |     |
| 1   | 0   | 0   | reg <1220> |     |
| 1   | 0   | 1   | reg <1221> |     |
| 1   | 1   | 0   | reg <1222> |     |
| 1   | 1   | 1   | reg <1223> | MSB |

Table 68. 3-bit LUT1 Truth Table

| IN2 | IN1 | IN0 | OUT        |     |
|-----|-----|-----|------------|-----|
| 0   | 0   | 0   | reg <1224> | LSB |
| 0   | 0   | 1   | reg <1225> |     |
| 0   | 1   | 0   | reg <1226> |     |
| 0   | 1   | 1   | reg <1227> |     |
| 1   | 0   | 0   | reg <1228> |     |
| 1   | 0   | 1   | reg <1229> |     |
| 1   | 1   | 0   | reg <1230> |     |
| 1   | 1   | 1   | reg <1231> | MSB |

Table 69. 3-bit LUT2 Truth Table

| IN2 | IN1 | IN0 | OUT        |     |
|-----|-----|-----|------------|-----|
| 0   | 0   | 0   | reg <1232> | LSB |
| 0   | 0   | 1   | reg <1233> |     |
| 0   | 1   | 0   | reg <1234> |     |
| 0   | 1   | 1   | reg <1235> |     |
| 1   | 0   | 0   | reg <1236> |     |
| 1   | 0   | 1   | reg <1237> |     |
| 1   | 1   | 0   | reg <1238> |     |
| 1   | 1   | 1   | reg <1239> | MSB |

Table 70. 3-bit LUT3 Truth Table

| IN2 | IN1 | IN0 | OUT        |     |
|-----|-----|-----|------------|-----|
| 0   | 0   | 0   | reg <1240> | LSB |
| 0   | 0   | 1   | reg <1241> |     |
| 0   | 1   | 0   | reg <1242> |     |
| 0   | 1   | 1   | reg <1243> |     |
| 1   | 0   | 0   | reg <1244> |     |
| 1   | 0   | 1   | reg <1245> |     |
| 1   | 1   | 0   | reg <1246> |     |
| 1   | 1   | 1   | reg <1247> | MSB |

Table 71. 3-bit LUT4 Truth Table

| IN2 | IN1 | IN0 | OUT        |     |
|-----|-----|-----|------------|-----|
| 0   | 0   | 0   | reg <1248> | LSB |
| 0   | 0   | 1   | reg <1249> |     |
| 0   | 1   | 0   | reg <1250> |     |
| 0   | 1   | 1   | reg <1251> |     |
| 1   | 0   | 0   | reg <1252> |     |
| 1   | 0   | 1   | reg <1253> |     |
| 1   | 1   | 0   | reg <1254> |     |
| 1   | 1   | 1   | reg <1255> | MSB |

Table 72. 3-bit LUT11 Truth Table

| IN2 | IN1 | IN0 | OUT        |     |
|-----|-----|-----|------------|-----|
| 0   | 0   | 0   | reg <1368> | LSB |
| 0   | 0   | 1   | reg <1369> |     |
| 0   | 1   | 0   | reg <1370> |     |
| 0   | 1   | 1   | reg <1371> |     |
| 1   | 0   | 0   | reg <1372> |     |
| 1   | 0   | 1   | reg <1373> |     |
| 1   | 1   | 0   | reg <1374> |     |
| 1   | 1   | 1   | reg <1375> | MSB |

Table 73. 3-bit LUT12 Truth Table

| IN2 | IN1 | IN0 | OUT        |     |
|-----|-----|-----|------------|-----|
| 0   | 0   | 0   | reg <1376> | LSB |
| 0   | 0   | 1   | reg <1377> |     |
| 0   | 1   | 0   | reg <1378> |     |
| 0   | 1   | 1   | reg <1379> |     |
| 1   | 0   | 0   | reg <1380> |     |
| 1   | 0   | 1   | reg <1381> |     |
| 1   | 1   | 0   | reg <1382> |     |
| 1   | 1   | 1   | reg <1383> | MSB |

Table 74. 3-bit LUT13 Truth Table

| IN2 | IN1 | IN0 | OUT        |     |
|-----|-----|-----|------------|-----|
| 0   | 0   | 0   | reg <1384> | LSB |
| 0   | 0   | 1   | reg <1385> |     |
| 0   | 1   | 0   | reg <1386> |     |
| 0   | 1   | 1   | reg <1387> |     |
| 1   | 0   | 0   | reg <1388> |     |
| 1   | 0   | 1   | reg <1389> |     |
| 1   | 1   | 0   | reg <1390> |     |
| 1   | 1   | 1   | reg <1391> | MSB |

Table 75. 3-bit LUT14 Truth Table

| IN2 | IN1 | IN0 | OUT        |     |
|-----|-----|-----|------------|-----|
| 0   | 0   | 0   | reg <1392> | LSB |
| 0   | 0   | 1   | reg <1393> |     |
| 0   | 1   | 0   | reg <1394> |     |
| 0   | 1   | 1   | reg <1395> |     |
| 1   | 0   | 0   | reg <1396> |     |
| 1   | 0   | 1   | reg <1397> |     |
| 1   | 1   | 0   | reg <1398> |     |
| 1   | 1   | 1   | reg <1399> | MSB |

Table 76. 3-bit LUT15 Truth Table

| IN2 | IN1 | IN0 | OUT        |     |
|-----|-----|-----|------------|-----|
| 0   | 0   | 0   | reg <1400> | LSB |
| 0   | 0   | 1   | reg <1401> |     |
| 0   | 1   | 0   | reg <1402> |     |
| 0   | 1   | 1   | reg <1403> |     |
| 1   | 0   | 0   | reg <1404> |     |
| 1   | 0   | 1   | reg <1405> |     |
| 1   | 1   | 0   | reg <1406> |     |
| 1   | 1   | 1   | reg <1407> | MSB |

Table 77. 3-bit LUT16 Truth Table

| IN2 | IN1 | IN0 | OUT        |     |
|-----|-----|-----|------------|-----|
| 0   | 0   | 0   | reg <1408> | LSB |
| 0   | 0   | 1   | reg <1409> |     |
| 0   | 1   | 0   | reg <1410> |     |
| 0   | 1   | 1   | reg <1411> |     |
| 1   | 0   | 0   | reg <1412> |     |
| 1   | 0   | 1   | reg <1413> |     |
| 1   | 1   | 0   | reg <1414> |     |
| 1   | 1   | 1   | reg <1415> | MSB |

Table 78. 3-bit LUT17 Truth Table

| IN2 | IN1 | IN0 | OUT        |     |
|-----|-----|-----|------------|-----|
| 0   | 0   | 0   | reg <1416> | LSB |
| 0   | 0   | 1   | reg <1417> |     |
| 0   | 1   | 0   | reg <1418> |     |
| 0   | 1   | 1   | reg <1419> |     |
| 1   | 0   | 0   | reg <1420> |     |
| 1   | 0   | 1   | reg <1421> |     |
| 1   | 1   | 0   | reg <1422> |     |
| 1   | 1   | 1   | reg <1423> | MSB |

Each Macrocell, when programmed for a LUT function, uses a 8-bit register to define their output function:

*3-Bit LUT0 is defined by reg<1223:1216>*

*3-Bit LUT1 is defined by reg<1231:1224>*

*3-Bit LUT2 is defined by reg<1239:1232>*

*3-Bit LUT3 is defined by reg<1247:1240>*

*3-Bit LUT4 is defined by reg<1255:1248>*

*3-Bit LUT11 is defined by reg<1375:1368>*

*3-Bit LUT12 is defined by reg<1383:1376>*

*3-Bit LUT13 is defined by reg<1391:1384>*

*3-Bit LUT14 is defined by reg<1399:1392>*

*3-Bit LUT15 is defined by reg<1407:1400>*

*3-Bit LUT16 is defined by reg<1415:1408>*

*3-Bit LUT17 is defined by reg<1423:1416>*

The table below shows the register bits for the standard digital logic devices (AND, NAND, OR, NOR, XOR, XNOR) that can be created within each of the six 3-bit LUT logic cells.

**Table 79. 3-bit LUT Standard Digital Functions**

| Function | MSB |   |   |   |   |   |   | LSB |
|----------|-----|---|---|---|---|---|---|-----|
| AND-3    | 1   | 0 | 0 | 0 | 0 | 0 | 0 | 0   |
| NAND-3   | 0   | 1 | 1 | 1 | 1 | 1 | 1 | 1   |
| OR-3     | 1   | 1 | 1 | 1 | 1 | 1 | 1 | 0   |
| NOR-3    | 0   | 0 | 0 | 0 | 0 | 0 | 0 | 1   |
| XOR-3    | 1   | 0 | 0 | 1 | 0 | 1 | 1 | 0   |
| XNOR-3   | 0   | 1 | 1 | 0 | 1 | 0 | 0 | 1   |



**9.6.3 3-Bit LUT or 8-Bit Counter / Delay Macrocells Used as 8-Bit Counter / Delay Register Settings**
**Table 80. CNT/DLY2 Register Settings**

| Signal Function                                  | Register Bit Address | Register Definition  |
|--|----------------------|--|
| LUT3_5 or Counter2 Select                        | reg<1198>            | 0: LUT3_5<br>1: Counter2   |
| Delay2 Mode Select or asynchronous counter reset | reg<1273:1272>       | 00: on both falling and rising edges (for delay & counter reset)<br>01: on falling edge only (for delay & counter reset)<br>10: on rising edge only (for delay & counter reset)<br>11: no delay on either falling or rising edges / counter high level reset |
| Counter/delay2 Clock Source Select               | reg<1276:1274>       | 000: Internal OSC clock<br>001: OSC/4<br>010: OSC/12<br>011: OSC/24<br>100: OSC/64<br>101: 25 MHz OSC clock<br>110: External Clock<br>111: Counter1 Overflow   |
| Counter/delay2 Output Selection for Counter mode | reg<1277>            | 0: Default Output<br>1: Edge Detector Output   |
| Counter/delay2 Mode Selection                    | reg<1279:1278>       | 00: Delay mode<br>01: One Shot<br>10: Freq. Detect<br>11: Counter mode   |
| Counter/delay2 Control Data                      | reg<1543:1536>       | 1 - 255  |

**Table 81. CNT/DLY3 Register Settings**

| Signal Function                                  | Register Bit Address | Register Definition  |
|--|----------------------|--|
| LUT3_6 or Counter3 Select                        | reg<1197>            | 0: LUT3_6<br>1: Counter3   |
| Delay3 Mode Select or asynchronous counter reset | reg<1281:1280>       | 00: on both falling and rising edges (for delay & counter reset)<br>01: on falling edge only (for delay & counter reset)<br>10: on rising edge only (for delay & counter reset)<br>11: no delay on either falling or rising edges / counter high level reset |
| Counter/delay3 Clock Source Select               | reg<1284:1282>       | 000: Internal OSC clock<br>001: OSC/4<br>010: OSC/12<br>011: OSC/24<br>100: OSC/64<br>101: 25 MHz OSC clock<br>110: External Clock<br>111: Counter2 Overflow   |
| Counter/delay3 Output Selection for Counter mode | reg<1285>            | 0: Default Output<br>1: Edge Detector Output   |
| Counter/delay2 Mode Selection                    | reg<1287:1286>       | 00: Delay mode<br>01: One Shot<br>10: Freq. Detect<br>11: Counter mode   |
| Counter/delay3 Control Data                      | reg<1551:1544>       | 1 - 255  |

**Table 82. CNT/DLY4 Register Settings**

| Signal Function                                  | Register Bit Address | Register Definition  |
|--|----------------------|--|
| LUT3_7 or Counter4 Select                        | reg<1196>            | 0: LUT3_7<br>1: Counter4   |
| Delay4 Mode Select or asynchronous counter reset | reg<1289:1288>       | 00: on both falling and rising edges (for delay & counter reset)<br>01: on falling edge only (for delay & counter reset)<br>10: on rising edge only (for delay & counter reset)<br>11: no delay on either falling or rising edges / counter high level reset |
| Counter/delay4 Clock Source Select               | reg<1292:1290>       | 000: Internal OSC clock<br>001: OSC/4<br>010: OSC/12<br>011: OSC/24<br>100: OSC/64<br>101: 25 MHz OSC clock<br>110: External Clock<br>111: Counter3 Overflow   |
| Counter/delay4 Output Selection for Counter mode | reg<1293>            | 0: Default Output<br>1: Edge Detector Output   |
| Counter/delay4 Mode Selection                    | reg<1295:1294>       | 00: Delay mode<br>01: One Shot<br>10: Freq. Detect<br>11: Counter mode   |
| Counter/delay4 Control Data                      | reg<1559:1552>       | 1 - 255  |

**Table 83. CNT/DLY5 Register Settings**

| Signal Function                                  | Register Bit Address | Register Definition  |
|--|----------------------|--|
| LUT3_8 or Counter5 Select                        | reg<1195>            | 0: LUT3_8<br>1: Counter5   |
| Delay5 Mode Select or asynchronous counter reset | reg<1297:1296>       | 00: on both falling and rising edges (for delay & counter reset)<br>01: on falling edge only (for delay & counter reset)<br>10: on rising edge only (for delay & counter reset)<br>11: no delay on either falling or rising edges / counter high level reset |
| Counter/delay5 Clock Source Select               | reg<1300:1298>       | 000: Internal OSC clock<br>001: OSC/4<br>010: OSC/12<br>011: OSC/24<br>100: OSC/64<br>101: 25 MHz OSC clock<br>110: External Clock<br>111: Counter4 Overflow   |
| Counter/delay5 Output Selection for Counter mode | reg<1301>            | 0: Default Output<br>1: Edge Detector Output   |
| Counter/delay5 Mode Selection                    | reg<1303:1302>       | 00: Delay mode<br>01: One Shot<br>10: Freq. Detect<br>11: Counter mode   |
| Counter/delay5 Control Data                      | reg<1567:1560>       | 1 - 255  |

**Table 84. CNT/DLY6 Register Settings**

| Signal Function                                  | Register Bit Address | Register Definition  |
|--|----------------------|--|
| LUT3_9 or Counter5 Select                        | reg<1194>            | 0: LUT3_9<br>1: Counter6   |
| Delay6 Mode Select or asynchronous counter reset | reg<1305:1304>       | 00: on both falling and rising edges (for delay & counter reset)<br>01: on falling edge only (for delay & counter reset)<br>10: on rising edge only (for delay & counter reset)<br>11: no delay on either falling or rising edges / counter high level reset |
| Counter/delay6 Clock Source Select               | reg<1308:1306>       | 000: Internal OSC clock<br>001: OSC/4<br>010: OSC/12<br>011: OSC/24<br>100: OSC/64<br>101: 25 MHz OSC clock<br>110: External Clock<br>111: Counter5 Overflow   |
| Counter/delay6 Output Selection for Counter mode | reg<1309>            | 0: Default Output<br>1: Edge Detector Output   |
| Counter/delay6 Mode Selection                    | reg<1311:1310>       | 00: Delay mode<br>01: One Shot<br>10: Freq. Detect<br>11: Counter mode   |
| Counter/delay6 Control Data                      | reg<1575:1568>       | 1 - 255  |

### 9.7 4-Bit LUT or 16-Bit Counter / Delay Macrocells

There are two macrocells that can serve as either 4-bit LUTs or as 16-bit Counter / Delays. When used to implement LUT function, the 4-bit LUT takes in four input signals from the Connection Matrix and produces a single output, which goes back into the Connection Matrix. When used to implement 16-Bit Counter / Delay function, four input signals from the connection matrix go to the external clock (ext\_clk) and reset (DLY\_in/CNT\_Reset), Keep and Up for the counter/delay, with the output going back to the connection matrix.

These two macrocells have an optional Finite State Machine (FSM) function. There are two matrix inputs for Up and Keep to support FSM functionality. Any counter within Green PAK is counting down by default. In FSM mode (CNT/DLY0 and CNT/DLY1) it is possible to reverse counting by applying High level to Up input. Also, there is a possibility to pause counting by applying High level to Keep input, after the level goes Low, the counter will proceed counting. These macrocells can also operate in a one-shot mode, which will generate an output pulse of user-defined width.

These macrocells can also operate in a frequency detection.

Delay time and Output Period can be calculated using the following formulas:

- Delay time:  $[(\text{Counter data} + 2) / \text{CLK input frequency} - \text{Offset}^*]$ ;
- Output Period:  $[(\text{Counter data} + 1) / \text{CLK input frequency} - \text{Offset}^*]$ .

One Shot pulse width can be calculated using formula:

- Pulse width =  $[(\text{Counter Data} + 2) / \text{CLK input frequency} - \text{Offset}^*]$ ;

\*Offset is the asynchronous time offset between the input signal and the first clock pulse.

For timing diagrams refer to section 9.8 CNT/DLY/FSM Timing Diagrams.

*Note: Counters initialize with counter data after POR*

Both of these macrocells can have their active count value read via I<sup>2</sup>C. See Section 19.5.1.2 Reading Counter Data via I2C for further details.

9.7.1 4-Bit LUT or 16-Bit CNT/DLY Block Diagram

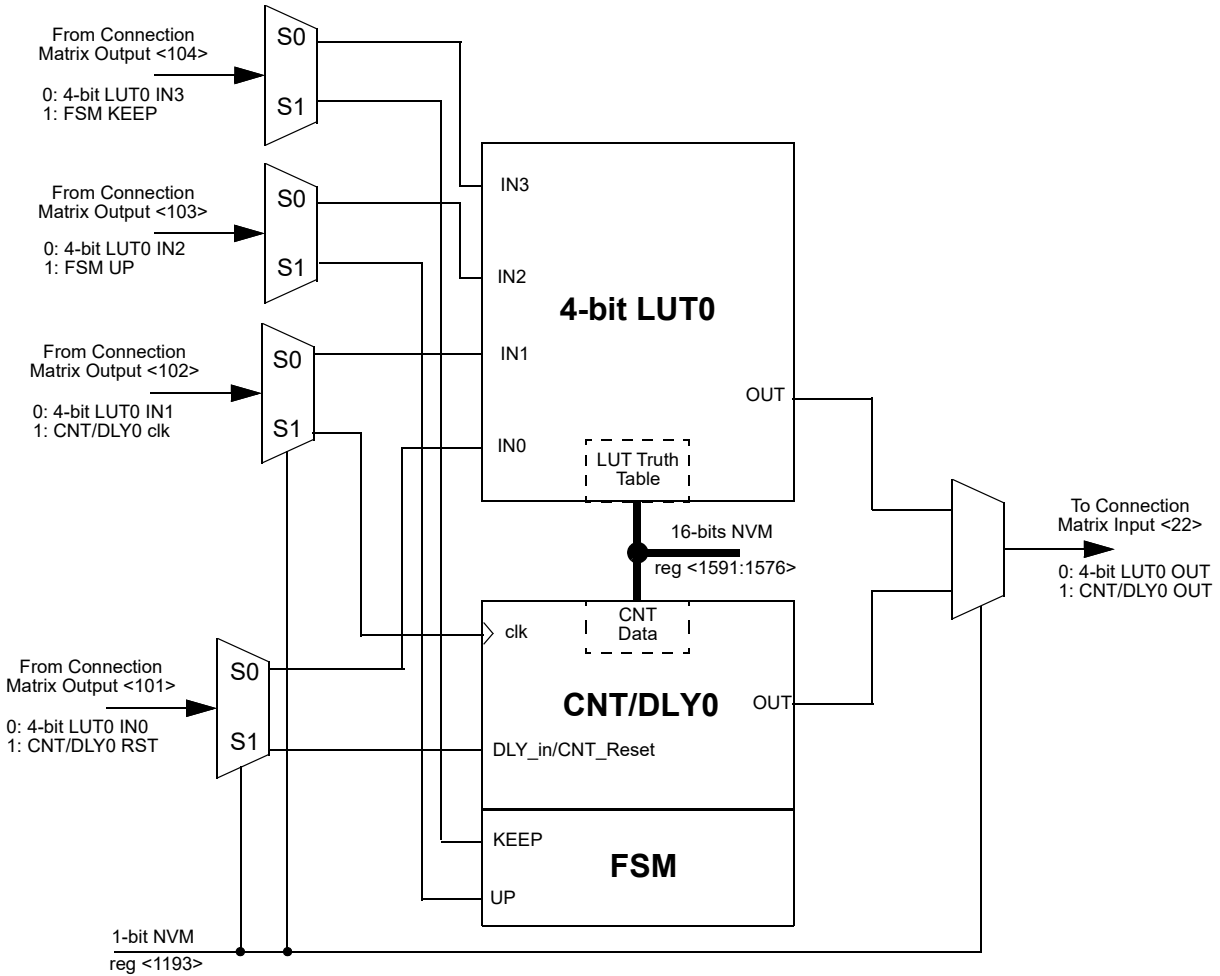


Figure 34. 4-bit LUT0 or CNT/DLY0

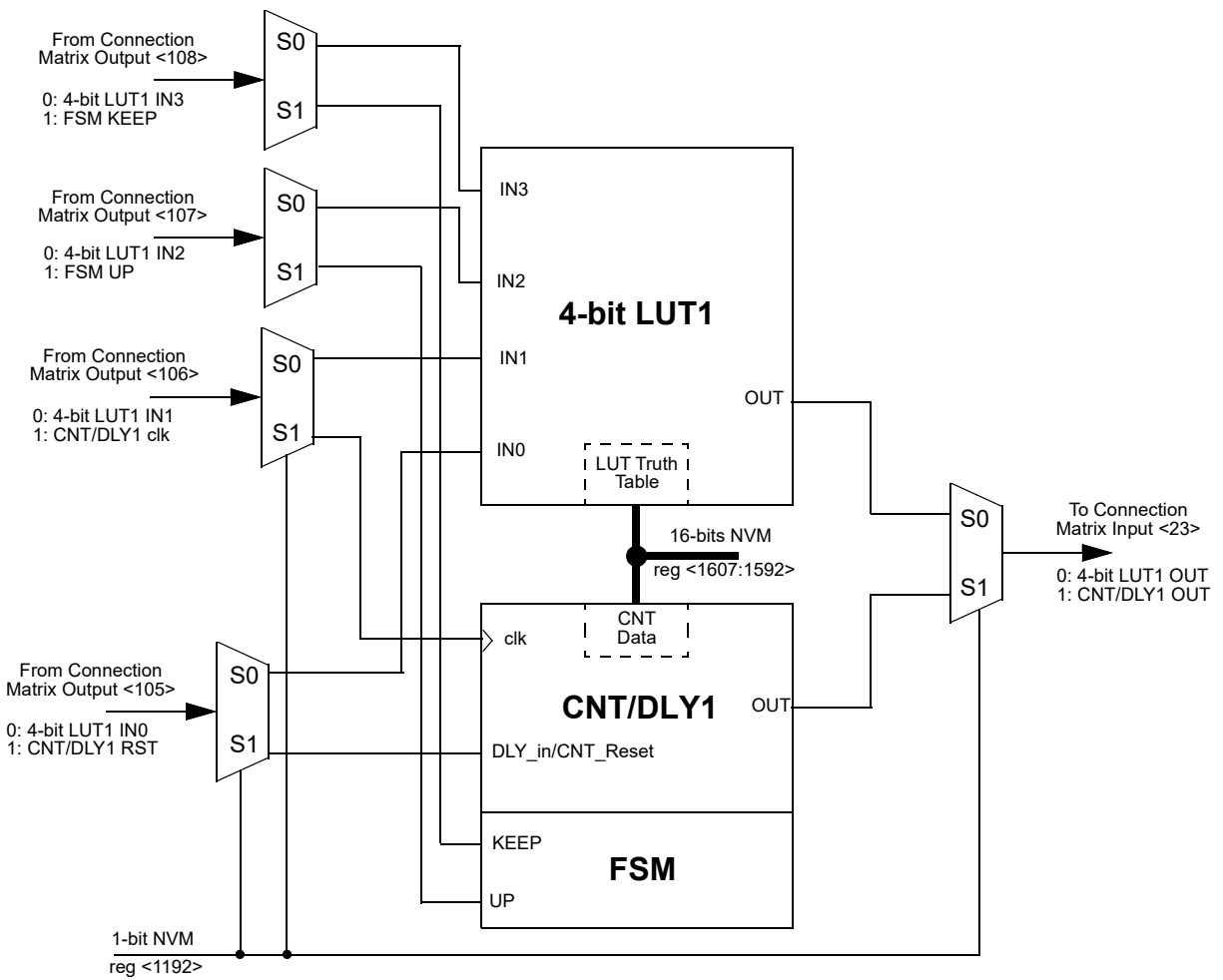


Figure 35. 4-bit LUT1 or CNT/DLY1

9.7.2 4-Bit LUT or 16-Bit Counter / Delay Macrocells Used as 4-Bit LUTs

Table 85. 4-bit LUT0 Truth Table

| IN3 | IN2 | IN1 | IN0 | OUT        |     |
|-----|-----|-----|-----|------------|-----|
| 0   | 0   | 0   | 0   | reg <1576> | LSB |
| 0   | 0   | 0   | 1   | reg <1577> |     |
| 0   | 0   | 1   | 0   | reg <1578> |     |
| 0   | 0   | 1   | 1   | reg <1579> |     |
| 0   | 1   | 0   | 0   | reg <1580> |     |
| 0   | 1   | 0   | 1   | reg <1581> |     |
| 0   | 1   | 1   | 0   | reg <1582> |     |
| 0   | 1   | 1   | 1   | reg <1583> |     |
| 1   | 0   | 0   | 0   | reg <1584> |     |
| 1   | 0   | 0   | 1   | reg <1585> |     |
| 1   | 0   | 1   | 0   | reg <1586> |     |
| 1   | 0   | 1   | 1   | reg <1587> |     |
| 1   | 1   | 0   | 0   | reg <1588> |     |
| 1   | 1   | 0   | 1   | reg <1589> |     |
| 1   | 1   | 1   | 0   | reg <1590> |     |
| 1   | 1   | 1   | 1   | reg <1591> | MSB |

Table 86. 4-bit LUT1 Truth Table

| IN3 | IN2 | IN1 | IN0 | OUT        |     |
|-----|-----|-----|-----|------------|-----|
| 0   | 0   | 0   | 0   | reg <1592> | LSB |
| 0   | 0   | 0   | 1   | reg <1593> |     |
| 0   | 0   | 1   | 0   | reg <1594> |     |
| 0   | 0   | 1   | 1   | reg <1595> |     |
| 0   | 1   | 0   | 0   | reg <1596> |     |
| 0   | 1   | 0   | 1   | reg <1597> |     |
| 0   | 1   | 1   | 0   | reg <1598> |     |
| 0   | 1   | 1   | 1   | reg <1599> |     |
| 1   | 0   | 0   | 0   | reg <1600> |     |
| 1   | 0   | 0   | 1   | reg <1601> |     |
| 1   | 0   | 1   | 0   | reg <1602> |     |
| 1   | 0   | 1   | 1   | reg <1603> |     |
| 1   | 1   | 0   | 0   | reg <1604> |     |
| 1   | 1   | 0   | 1   | reg <1605> |     |
| 1   | 1   | 1   | 0   | reg <1606> |     |
| 1   | 1   | 1   | 1   | reg <1607> | MSB |

Each Macrocell, when programmed for a LUT function, uses a 16-bit register to define their output function:

*4-Bit LUT0 is defined by reg<1591:1576>*

*4-Bit LUT1 is defined by reg<1607:1592>*

Table 87. 4-bit LUT Standard Digital Functions

| Function | MSB |   |   |   |   |   |   |   |   |   |   |   |   |   |   | LSB |
|----------|-----|---|---|---|---|---|---|---|---|---|---|---|---|---|---|-----|
| AND-4    | 1   | 0 | 0 | 0 | 0 | 0 | 0 | 0 | 0 | 0 | 0 | 0 | 0 | 0 | 0 | 0   |
| NAND-4   | 0   | 1 | 1 | 1 | 1 | 1 | 1 | 1 | 1 | 1 | 1 | 1 | 1 | 1 | 1 | 1   |
| OR-4     | 1   | 1 | 1 | 1 | 1 | 1 | 1 | 1 | 1 | 1 | 1 | 1 | 1 | 1 | 1 | 0   |
| NOR-4    | 0   | 0 | 0 | 0 | 0 | 0 | 0 | 0 | 0 | 0 | 0 | 0 | 0 | 0 | 0 | 1   |
| XOR-4    | 0   | 1 | 1 | 0 | 1 | 0 | 0 | 1 | 1 | 0 | 0 | 1 | 0 | 1 | 1 | 0   |
| XNOR-4   | 1   | 0 | 0 | 1 | 0 | 1 | 1 | 0 | 0 | 1 | 1 | 0 | 1 | 0 | 0 | 1   |

**9.7.3 4-Bit LUT or 16-Bit Counter / Delay Macrocells Used as 16-Bit Counter / Delay Register Settings**
**Table 88. CNT/DLY0 Register Settings**

| Signal Function  | Register Bit Address | Register Definition  |
|--|----------------------|--|
| LUT4_0 or Counter0 Select                              | reg<1193>            | 0: LUT4_0<br>1: Counter0   |
| Delay0 Mode Select or asynchronous counter reset       | reg<1313:1312>       | 00: on both falling and rising edges (for delay & counter reset)<br>01: on falling edge only (for delay & counter reset)<br>10: on rising edge only (for delay & counter reset)<br>11: no delay on either falling or rising edges / counter high level reset |
| Counter/delay0 Clock Source Select                     | reg<1316:1314>       | 000: Internal OSC clock<br>001: OSC/4<br>010: OSC/12<br>011: OSC/24<br>100: OSC/64<br>101: 25 MHz OSC clock<br>110: External Clock<br>111: Counter6 Overflow   |
| CNT0/FSM0's Q are Set to data or Reset to 0s Selection | reg<1317>            | 0: Reset to 0s<br>1: Set to control data (Reg<1583:1576, 1591:1584>)   |
| Counter/delay0 Mode Selection                          | reg<1319:1318>       | 00: Delay mode<br>01: One Shot<br>10: Freq. Detect<br>11: Counter mode   |
| Counter/delay0 Control Data                            | reg<1591:1576>       | 0 - 65535 (Delay Time = [Counter Control Data + 1] / Freq)   |

**Table 89. CNT/DLY1 Register Settings**

| Signal Function  | Register Bit Address | Register Definition  |
|--|----------------------|--|
| LUT4_1 or Counter1 Select                              | reg<1192>            | 0: LUT4_1<br>1: Counter1   |
| Delay1 Mode Select or asynchronous counter reset       | reg<1321:1320>       | 00: on both falling and rising edges (for delay & counter reset)<br>01: on falling edge only (for delay & counter reset)<br>10: on rising edge only (for delay & counter reset)<br>11: no delay on either falling or rising edges / counter high level reset |
| Counter/delay1 Clock Source Select                     | reg<1324:1322>       | 000: Internal OSC clock<br>001: OSC/4<br>010: OSC/12<br>011: OSC/24<br>100: OSC/64<br>101: 25 MHz OSC clock<br>110: External Clock<br>111: Counter0 Overflow   |
| CNT0/FSM0's Q are Set to data or Reset to 0s Selection | reg<1325>            | 0: Reset to 0s<br>1: Set to counter data (Reg<1599:1592, 1607:1600>)   |
| Counter/delay1 Mode Selection                          | reg<1327:1326>       | 00: Delay mode<br>01: One Shot<br>10: Freq. Detect<br>11: Counter mode   |
| Counter/delay1 Control Data                            | reg<1607:1592>       | 1 - 65535 (Delay Time = [Counter Control Data + 1] / Freq)   |



9.8 CNT/DLY/FSM Timing Diagrams

9.8.1 Delay mode (edge select: both, counter data: 3) CNT/DLY2...CNT/DLY6

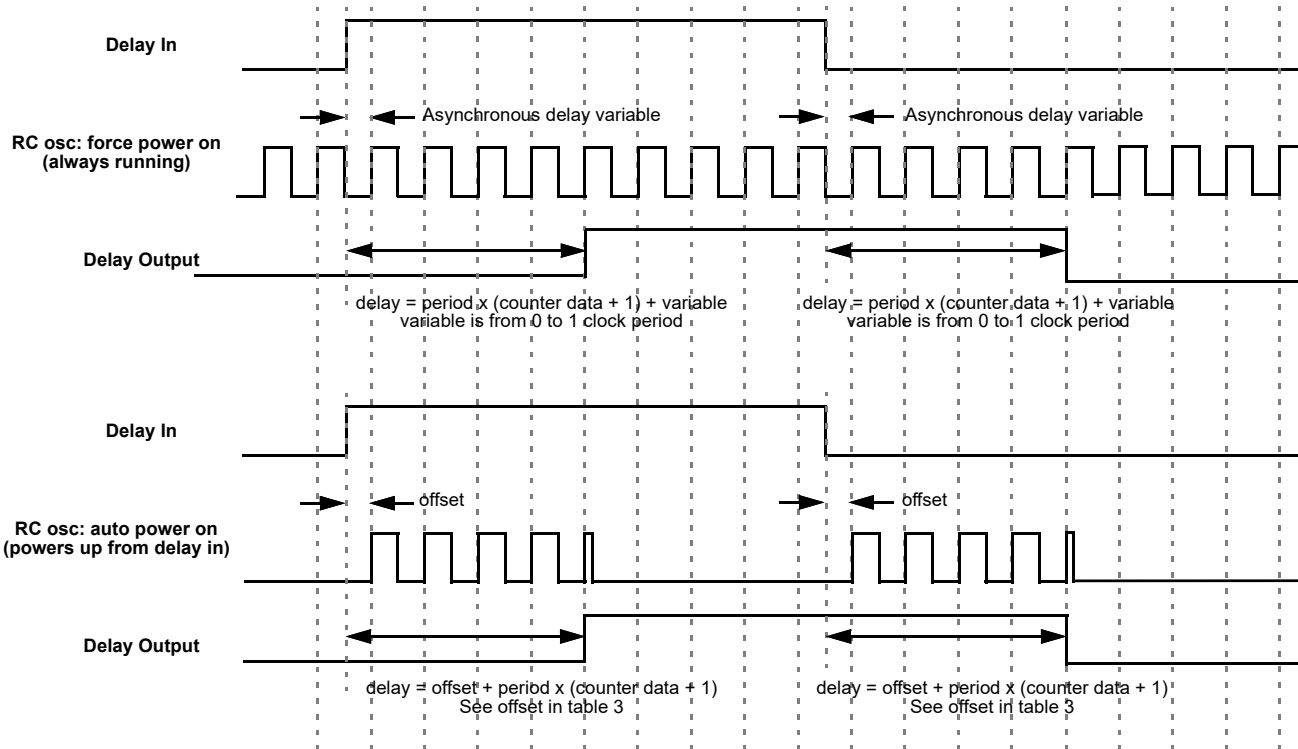


Figure 36. Delay Mode Timing Diagram

9.8.2 Count mode (count data: 3), Counter reset (rising edge detect) CNT/DLY2...CNT/DLY6

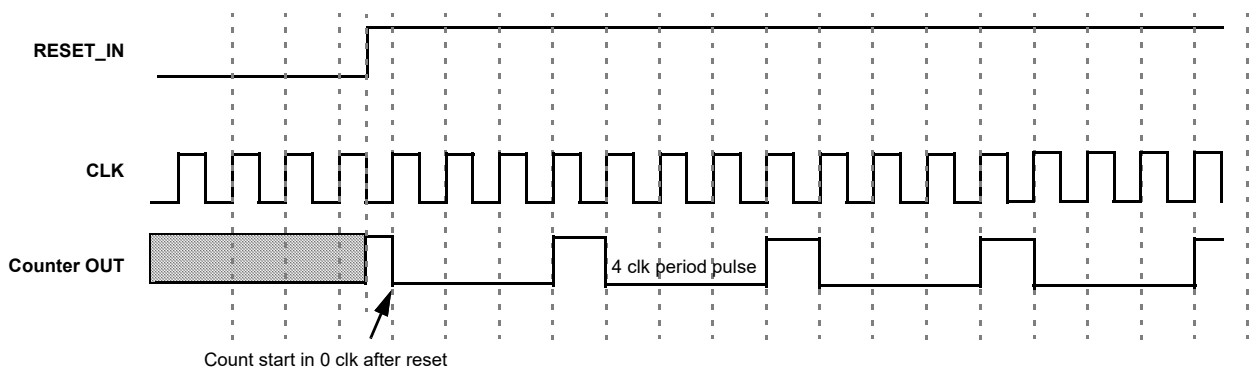


Figure 37. Counter Mode Timing Diagram

9.8.3 One-shot mode CNT/DLY0...CNT/DLY6

This macrocell will generate a pulse whenever a selected edge is detected on its input. Register bits set the edge selection. The pulse width determines by counter data and clock selection properties. The output pulse polarity (non-inverted or inverted) is selected by register bit. See *Table 90*. Any incoming edges will be ignored during the pulse width generation. The following diagram shows one-shot function for non-inverted output.

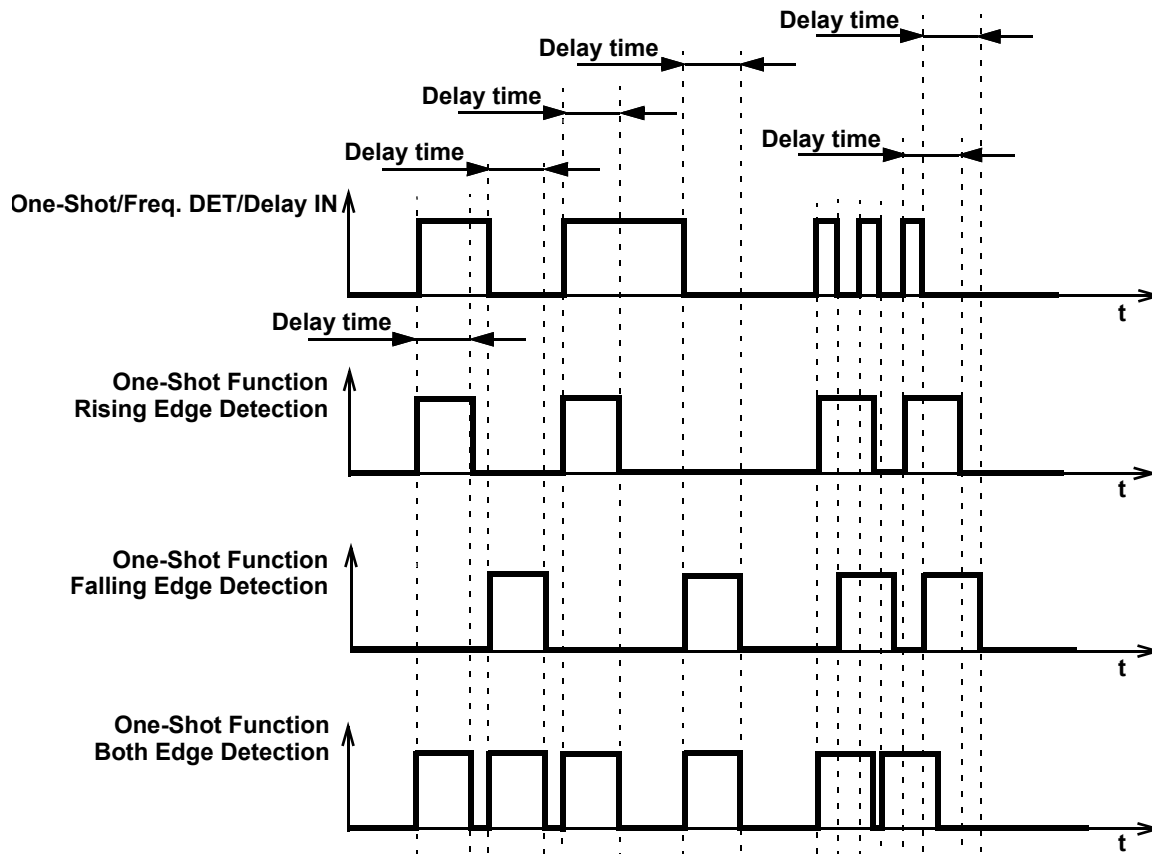


Figure 38. One-Shot Function Timing Diagram

**Table 90. DLY/CNTx One-Shot / Freq. Detect Output Polarity**

| Address |              | Signal Function  | Register Bit Definition                 | I <sup>2</sup> C Interface |       |
|---------|--------------|--|---|----------------------------|-------|
| Byte    | Register Bit |  |   | Read                       | Write |
| A6      | reg<1329>    | Select the Polarity of DLY/CNT6's One Shot / Freq. Detect Output | 0: Default Output<br>1: Inverted Output | Valid                      | Valid |
|         | reg<1330>    | Select the Polarity of DLY/CNT5's One Shot / Freq. Detect Output | 0: Default Output<br>1: Inverted Output | Valid                      | Valid |
|         | reg<1331>    | Select the Polarity of DLY/CNT4's One Shot / Freq. Detect Output | 0: Default Output<br>1: Inverted Output | Valid                      | Valid |
|         | reg<1332>    | Select the Polarity of DLY/CNT3's One Shot / Freq. Detect Output | 0: Default Output<br>1: Inverted Output | Valid                      | Valid |
|         | reg<1333>    | Select the Polarity of DLY/CNT2's One Shot / Freq. Detect Output | 0: Default Output<br>1: Inverted Output | Valid                      | Valid |
|         | reg<1334>    | Select the Polarity of DLY/CNT1's One Shot / Freq. Detect Output | 0: Default Output<br>1: Inverted Output | Valid                      | Valid |
|         | reg<1335>    | Select the Polarity of DLY/CNT0's One Shot / Freq. Detect Output | 0: Default Output<br>1: Inverted Output | Valid                      | Valid |

This macrocell generates a high level pulse with a set width (defined by counter data) when detecting the respective edge. It does not restart while pulse is high.

#### 9.8.4 Frequency Detection Mode CNT/DLY0...CNT/DLY6

**Rising Edge:** The output goes high if the time between two successive edges is less than the delay. The output goes low if the second rising edge has not come after the last rising edge in specified time.

**Falling Edge:** The output goes high if the time between two falling edges is less than the set time. The output goes low if the second falling edge has not come after the last falling edge in specified time.

**Both Edge:** The output goes high if the time between the rising and falling edges is less than the set time, which is equivalent to the length of the pulse. The output goes low if after the last rising/falling edge and specified time, the second edge has not come.

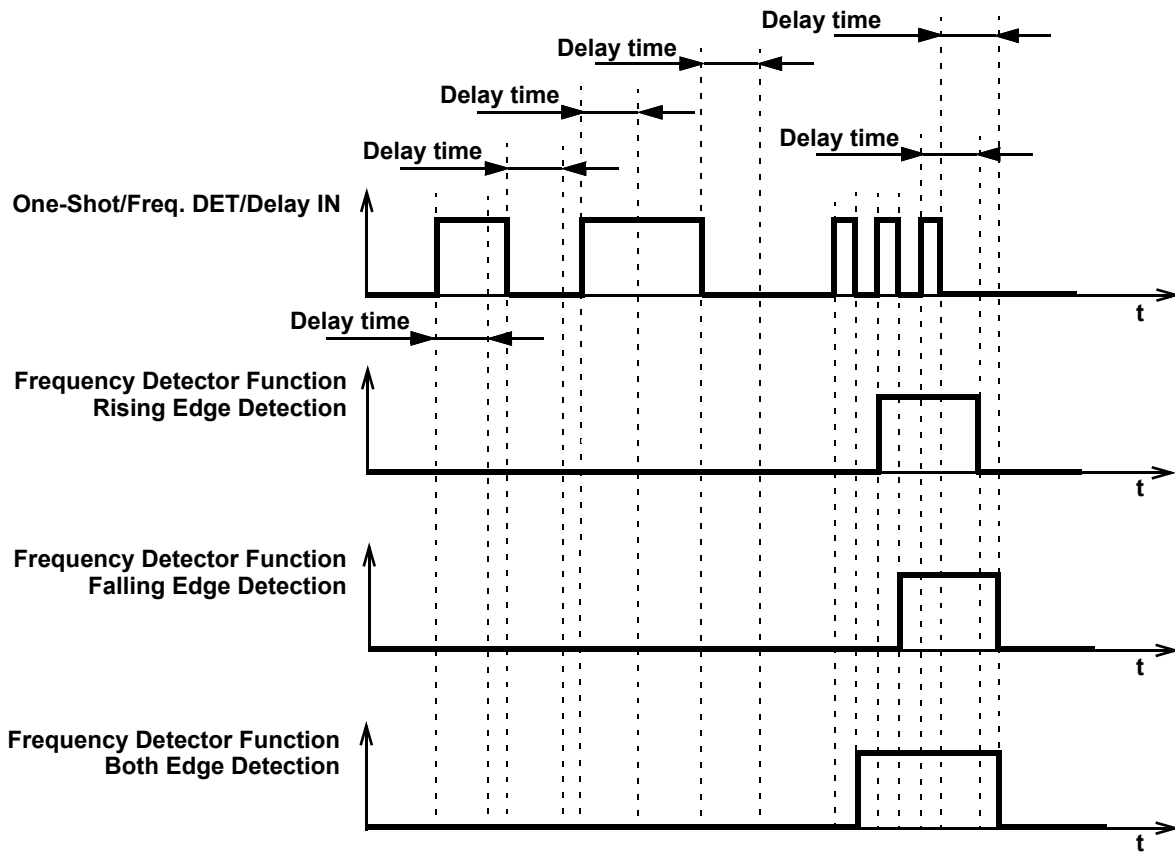


Figure 39. Frequency Detection Mode Timing Diagram

9.8.5 Edge Detection Mode CNT/DLY2...CNT/DLY6

The macrocell generates high level short pulse when detecting the respective edge. See Table 5. *Expected Delays and Widths (typical)*.

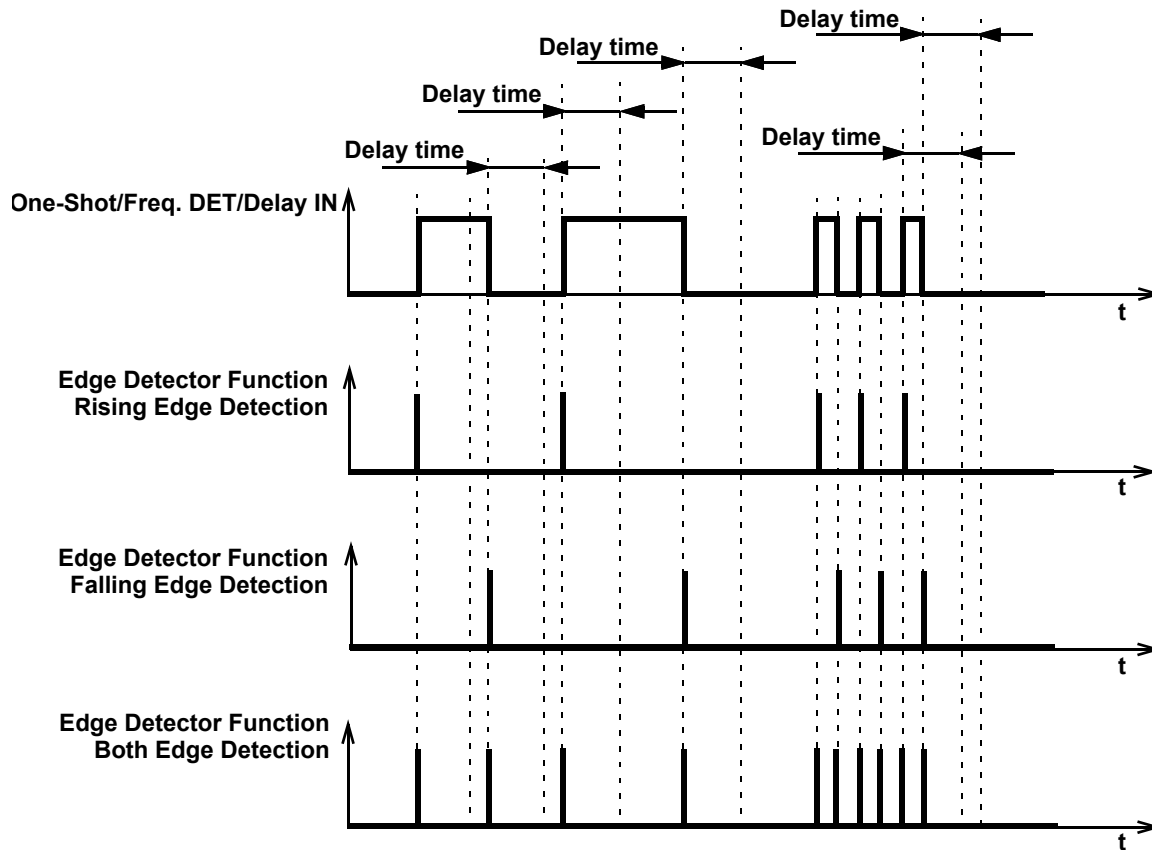


Figure 40. Edge Detection Mode Timing Diagram

9.8.6 Delay Mode CNT/DLY0...CNT/DLY6

The macrocell shifts the respective edge to a set time and restarts by appropriate edge. It works as a filter if the input signal is shorter than the delay time.

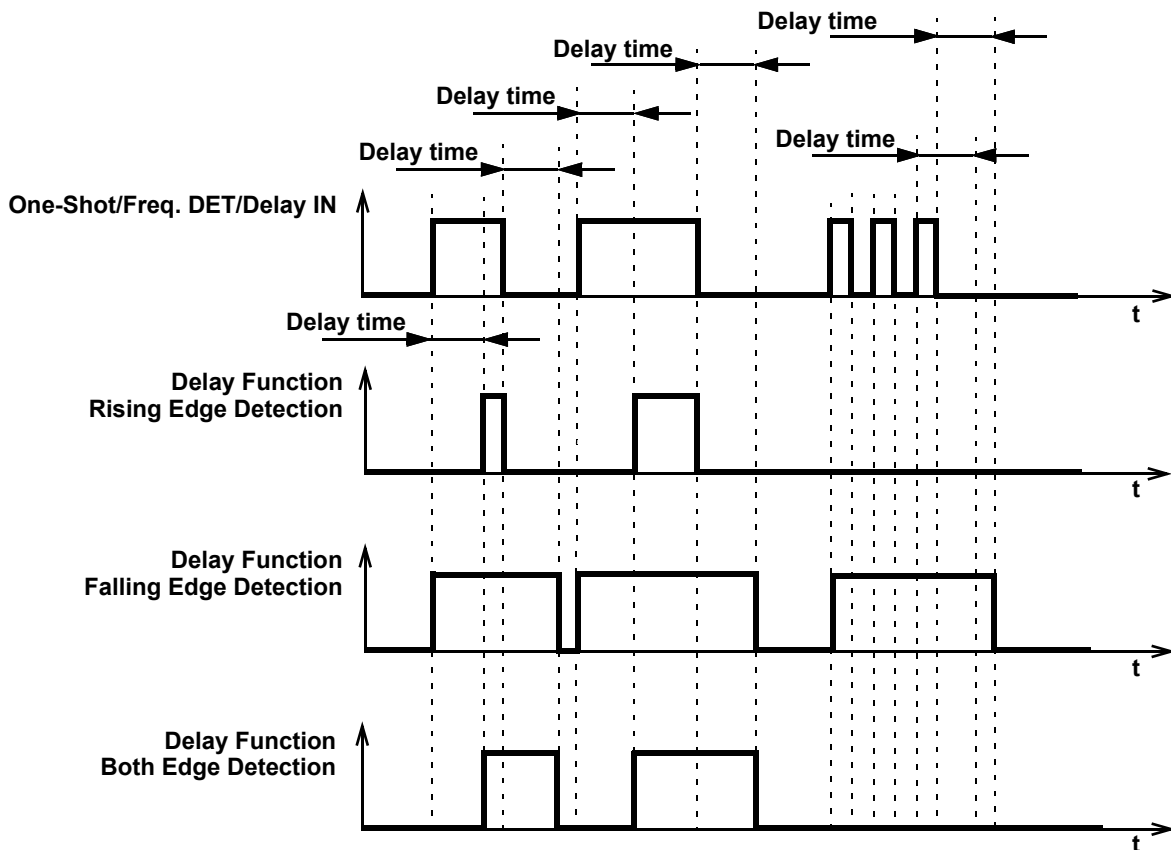


Figure 41. Delay Mode Timing Diagram

9.8.7 CNT/FSM Mode CNT/DLY0, CNT/DLY1

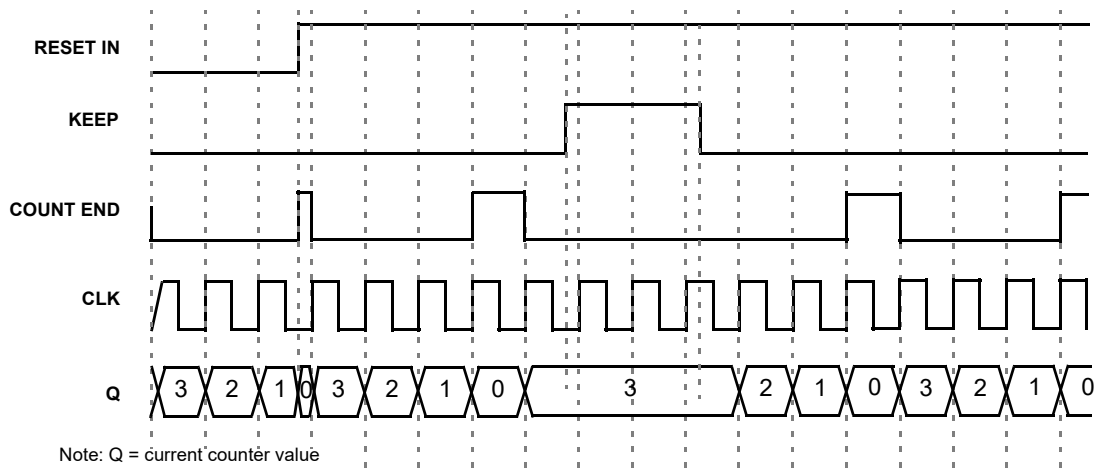


Figure 42. CNT/FSM Timing Diagram (reset rising edge mode, oscillator is forced on, UP = 0) for counter data = 3

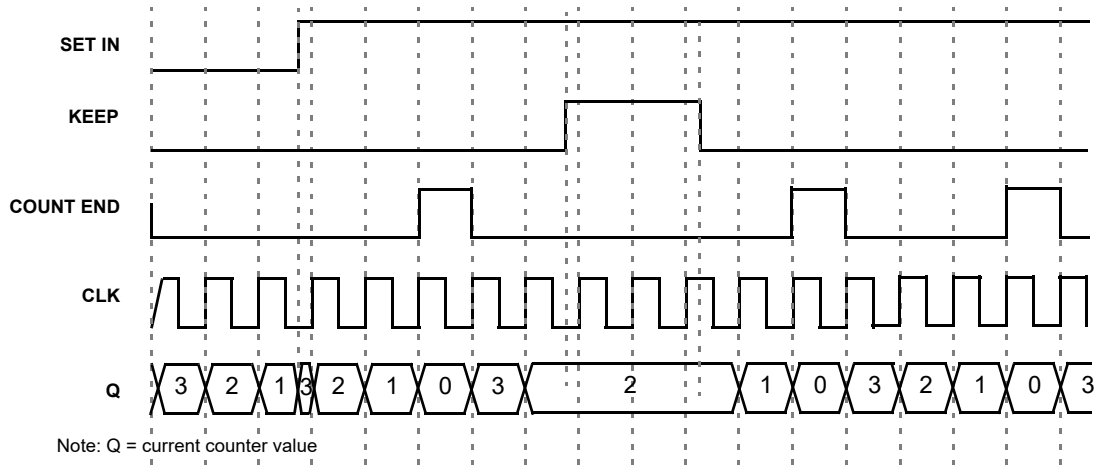


Figure 43. CNT/FSM Timing Diagram (set rising edge mode, oscillator is forced on, UP = 0) for counter data = 3

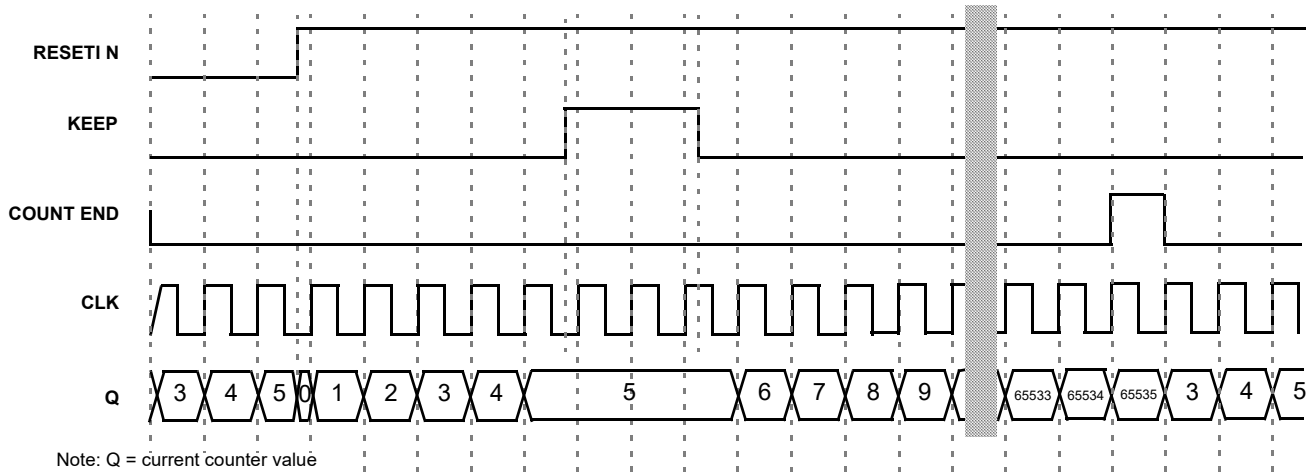


Figure 44. CNT/FSM Timing Diagram (reset rising edge mode, oscillator is forced on, UP = 1) for counter data = 3

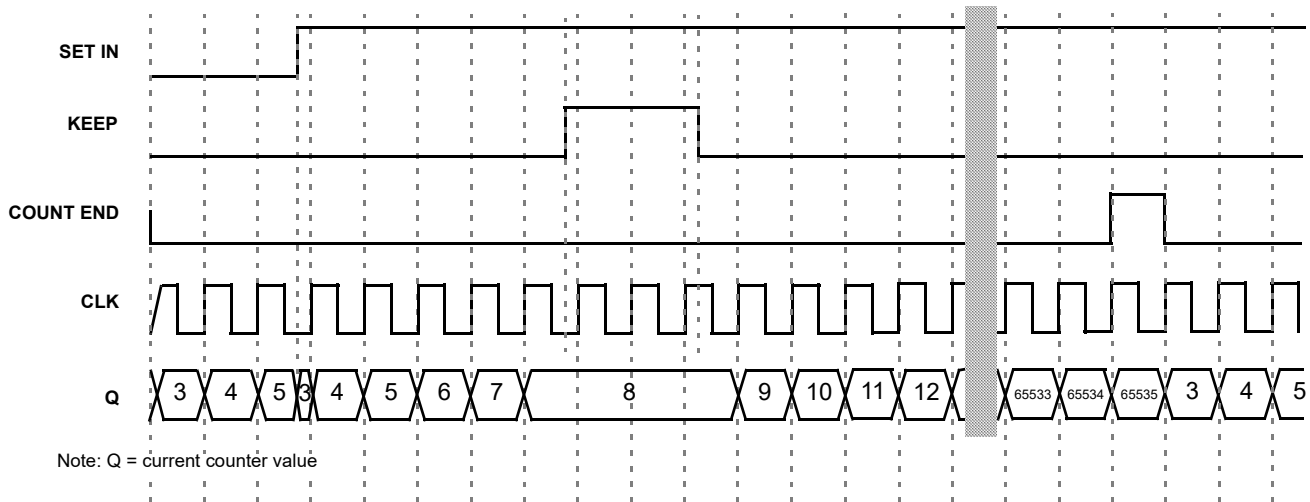


Figure 45. CNT/FSM Timing Diagram (set rising edge mode, oscillator is forced on, UP = 1) for counter data = 3



9.8.8 Difference in Counter Value for Counter, Delay, One-Shot and Frequency Detect Modes

There is a difference in counter value for Counter and Delay/One-Shot/Frequency Detect modes. The counter value is shifted for two rising edges of the clock signal in Delay/One-Shot/Frequency Detect modes compared to Counter mode. See Figure 46.

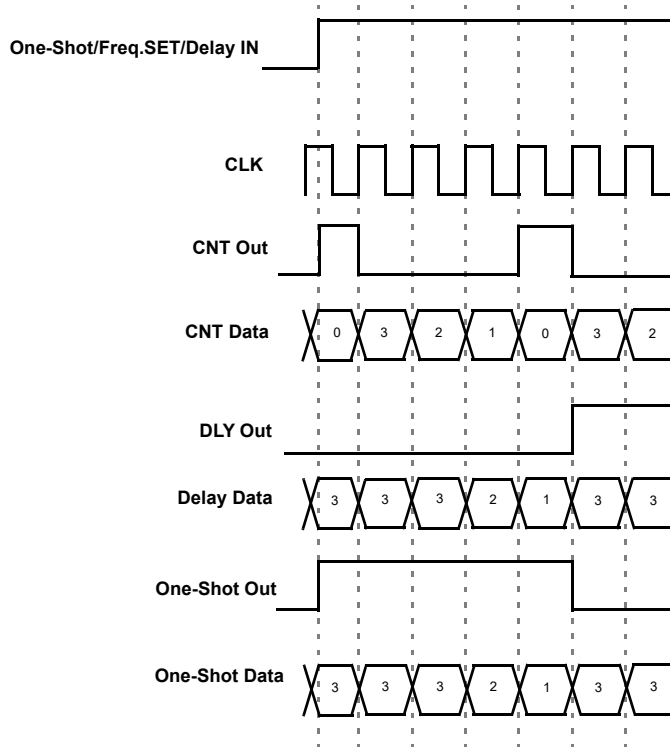


Figure 46. Counter Value, Counter Data = 3

9.9 2-bit LUT or Programmable Pattern Generator

The SLG46537 has one combination function macrocell that can serve as a logic or timing function. This macrocell can serve as a Look Up Table (LUT), or Programmable Pattern Generator (PGEN).

When used to implement LUT functions, the 2-bit LUT takes in four input signals from the connection matrix and produce a single output, which goes back into the connection matrix. When used as a LUT to implement combinatorial logic functions, the outputs of the LUTs can be configured to any user defined function, including the following standard digital logic devices (AND, NAND, OR, NOR, XOR, XNOR). The user can also define the combinatorial relationship between inputs and outputs to be any selectable function.

When operating as a Programmable Pattern Generator, the output of the macrocell with clock out a sequence of two to sixteen bits that are user selectable in their values, and user selectable in the number of bits (up to sixteen) that are output before the pattern repeats. See figure *Figure 48*.

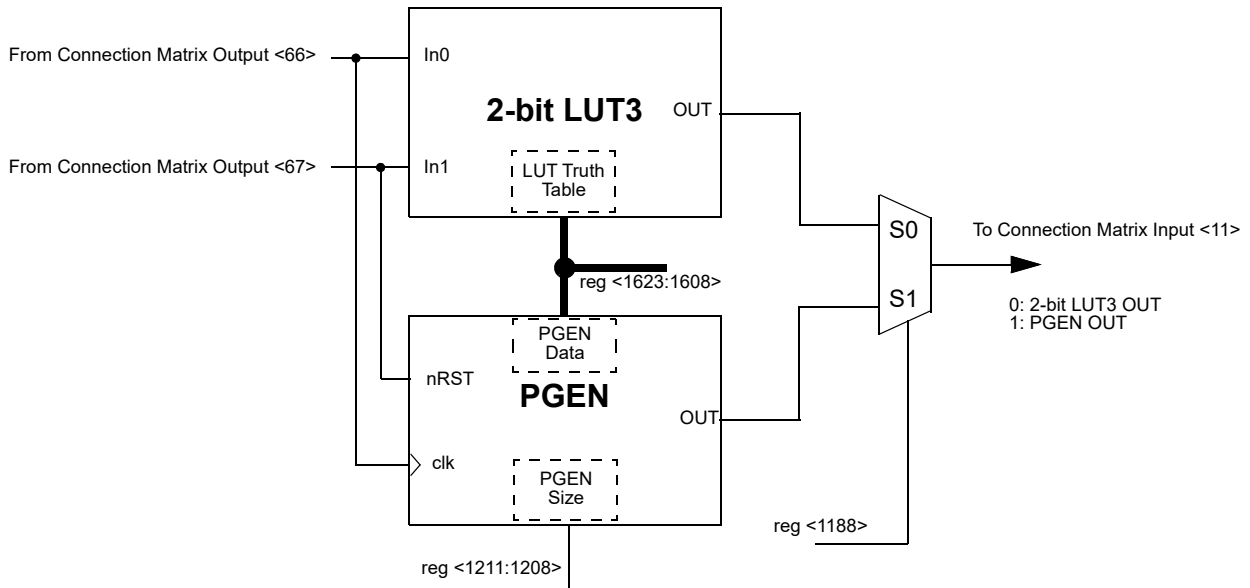


Figure 47. 2-bit LUT3 or PGEN

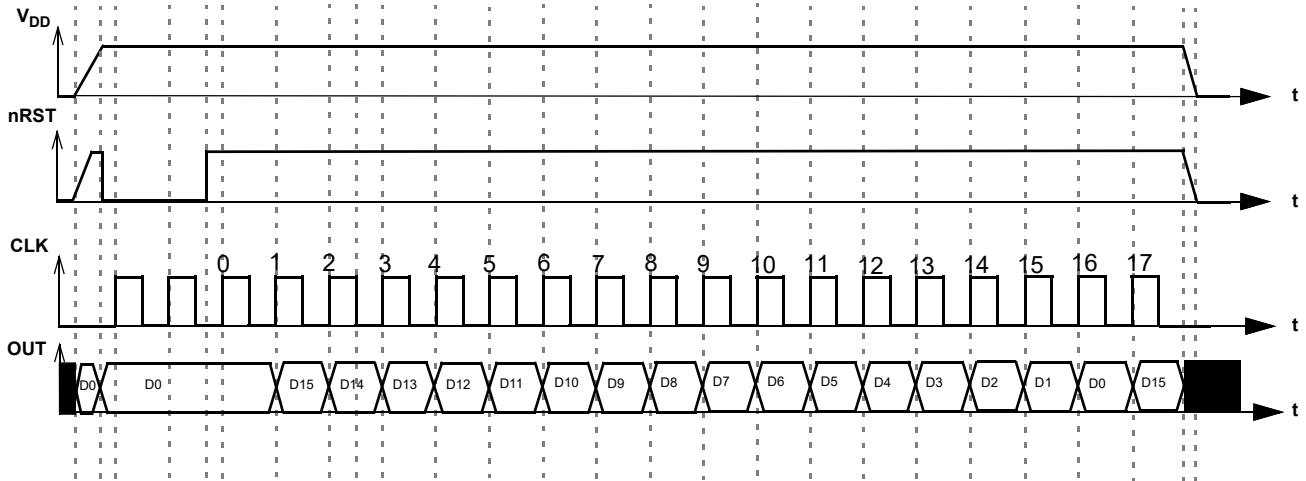
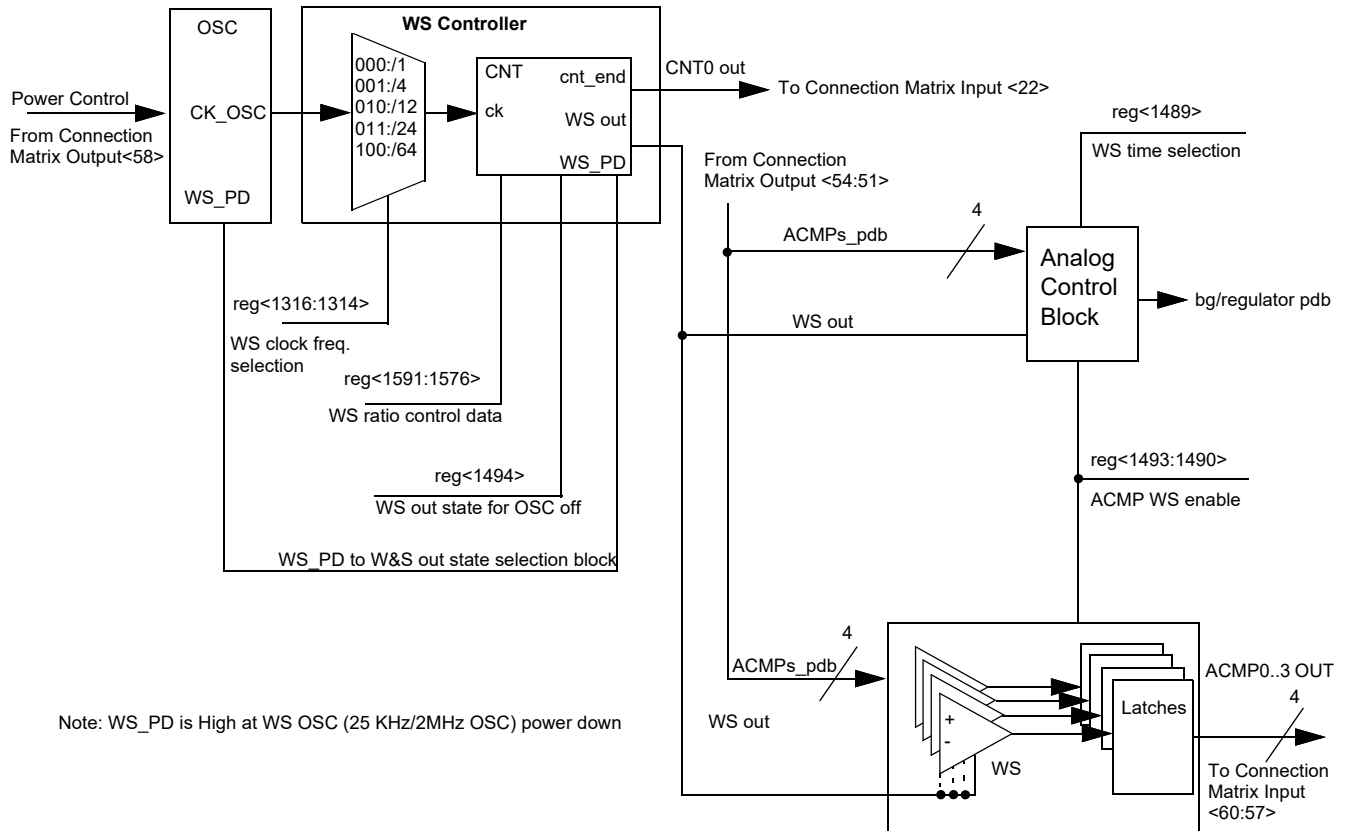


Figure 48. PGEN Timing Diagram

9.10 Wake and Sleep controller (WS)

The SLG46537 has a Wake and Sleep function for all ACMPs. The macrocell CNT/DLY0 can be reconfigured for this purpose reg<1319:1318> = 11 and reg<1495> = 1. The WS serves for power saving, it allows to switch on and off selected ACMPs on selected bit of 16-bit counter.



Note: WS\_PD is High at WS OSC (25 KHz/2MHz OSC) power down

Figure 49. WS controller

To use any ACMP under WS controller the following settings must be done:

- ACMP Power Up Input from matrix = 1 (for each ACMP separately);
- CNT/DLY0 must be set to Wake and Sleep Controller function (for all ACMPs);
- Register WS => enable (for each ACMP separately);
- CNT/DLY0 set/reset input = 0 (for all ACMPs);
- In case of using OSC1 (25 MHz), OSC0 must be set to Force Power On.

As the OSC any oscillator with any pre divider can be used. The user can select a period of time while the ACMPs are sleeping in a range of 1 - 65535 clock cycles. Before they are sent to sleep their outputs are latched so the ACMPs remain their state (High or Low) while sleeping.

WS controller has the following settings:

- Wake and Sleep Output State (High/Low)  
If OSC is powered off (Power Down option is selected; power down input = 1) and Wake and Sleep Output State = High, the ACMP is continuously on.

If OSC is powered off (Power Down option is selected; power down input = 1) and Wake and Sleep Output State = Low, the ACMP is continuously off.  
Both cases WS function is turned off.

- Counter Data (Range: 0 - 65535)  
User can select wake and sleep ratio of the ACMP; counter data = sleep time, one clock = wake time.
- Q mode - defines the state of WS counter data when Set/Reset signal appears  
Reset - when active signal appears, the WS counter will reset to zero and High level signal on its output will turn the ACMPs on. When Reset signal goes out, the WS counter will go Low and turn the ACMPs off until the counter counts up to the end  
Set - when active signal appears, the WS counter will stop and Low level signal on its output will turn the ACMPs off. When Set signal goes out, the WS counter will go on counting and High level signal will turn the ACMPs on while counter is counting up to the end.
- Edge Select defines the edge for Q mode  
High level Set/Reset - switches mode Set/Reset when level is High  
*Note: Q mode operates only in case of "High Level Set/Reset".*
- Wake time selection - time required for wake signal to turn the ACMPs on  
Normal Wake Time - when WS signal is High, it takes a BG time (100/550  $\mu$ s) to turn the ACMPs on They will stay on until WS signal is Low again. Wake time is one clock period. It should be longer than BG turn on time and minimal required comparing time of the ACMP.  
Short Wake Time - when WS signal is High, it takes a BG time (100/550  $\mu$ s) to turn the ACMPs on. They will stay on for 1  $\mu$ s and turn off regardless of WS signal. The WS signal width does not matter.
- Keep - pauses counting while Keep = 1
- Up - reverses counting  
If Up = 1, CNT is counting up from user selected value to 65535.  
If Up = 0, CNT is counting down from user selected value to 0.

**9.10.1 WS Register Settings**
**Table 91. WS Register Settings**

| Signal Function   | Register Bit Address | Register Definition  |
|---|----------------------|--|
| Counter/delay0<br>Clock Source Select   | reg<1316:1314>       | 000: Internal OSC clock<br>001: OSC/4<br>010: OSC/12<br>011: OSC/24<br>100: OSC/64<br>101: 25 MHz OSC clock<br>110: External Clock<br>111: Counter6 Overflow |
| WS time selection   | reg<1489>            | 0: Short Wake Time<br>1: Normal Wake Time  |
| ACMP0 Wake & Sleep<br>function Enable   | reg<1490>            | 0: Disable<br>1: Enable  |
| ACMP1 Wake & Sleep<br>function Enable   | reg<1491>            | 0: Disable<br>1: Enable  |
| ACMP2 Wake & Sleep<br>function Enable   | reg<1492>            | 0: Disable<br>1: Enable  |
| ACMP3 Wake & Sleep<br>function Enable   | reg<1493>            | 0: Disable<br>1: Enable  |
| Wake Sleep Output State<br>When WS Oscillator<br>is Power Down if DLY/CNT0<br>Mode Selection<br>is "11" | reg<1494>            | 0: Low<br>1: High  |
| Wake Sleep Ratio Control<br>Mode Selection if<br>DLY/CNT0 Mode Selection<br>is "11"                     | reg<1495>            | 0: Default Mode<br>1: Wake Sleep Ratio Control Mode  |
| DLY/CNT0<br>(16bits, <15:0> =<br><1591:1576>) Control Data  | reg<1591:1576>       | 1 - 65535  |

### 10.0 Analog Comparators (ACMP)

There are four Analog Comparator (ACMP) macrocells in the SLG46537. In order for the ACMP cells to be used in a GreenPAK design, the power up signals (ACMPx\_pdb) need to be active. By connecting to signals coming from the Connection Matrix, it is possible to have each ACMP be always on, always off, or power cycled based on a digital signal coming from the Connection Matrix. Also, all ACMPs have Wake and Sleep function (WS), see section 9.10 Wake and Sleep controller (WS). When ACMP is powered down, output is low.

PWR UP = 1 => ACMP is powered up.  
 PWR UP = 0 => ACMP is powered down.

During ACMP power up, its output will remain low, and then becomes valid 1.03 ms (max) after ACMP power up signal goes high, see Figure 51. . If V<sub>DD</sub> is greater or equal to 2.7 V, it is possible to decrease turn-on time by setting the BG ok delay to 100 μs, see Figure 52. . The ACMP cells have an input "Low bandwidth" signal selection, which can be used to save power and reduce noise impact when lower bandwidth signals are being compared. To ensure proper chip startup operation, it is recommended to enable the ACMPs with the POR signal, and not the V<sub>DD</sub> signal.

Note: Regulator and Charge Pump set to automatic ON/OFF.

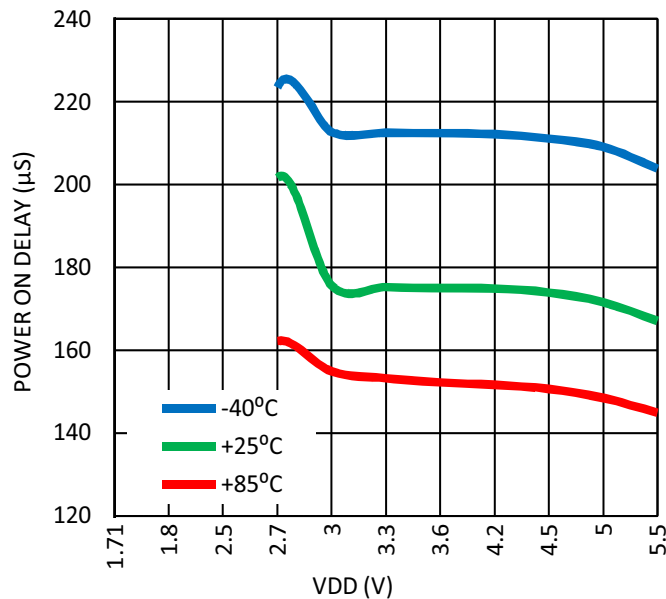


Figure 50. Maximum Power On Delay vs. V<sub>DD</sub>, BG = Auto-delay.

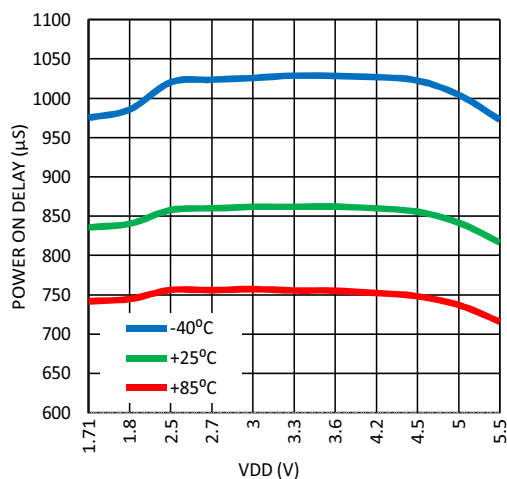


Figure 51. Maximum Power On Delay vs. VDD, BG = 550 μs.

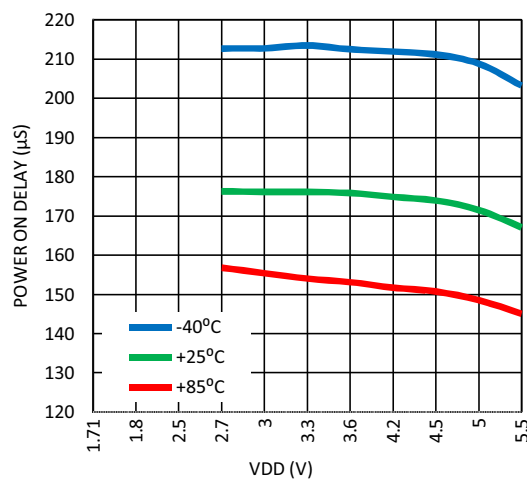


Figure 52. Maximum Power On Delay vs. VDD, BG = 100 μs.

Each of the ACMP cells has a positive input signal that can be provided by a variety of external sources. There is also a selectable gain stage (1X, 0.5X, 0.33X, 0.25X) before connection to the analog comparator. The Gain divider is unbuffered and consists of 250 KΩ (typ.) resistors, see *Table 92*. For gain divider accuracy refer to *Table 93*. IN- voltage range: 0 - 1.2 V. Can use Vref selection  $V_{DD}/4$  and  $V_{DD}/3$  to maintain this input range.

Input bias current < 1 nA (typ).

**Table 92. Gain Divider Input Resistance**

|                  |        |      |         |       |
|------------------|--------|------|---------|-------|
| Gain             | x1     | x0.5 | x0.33   | x0.25 |
| Input Resistance | 100 MΩ | 1 MΩ | 0.75 MΩ | 1 MΩ  |

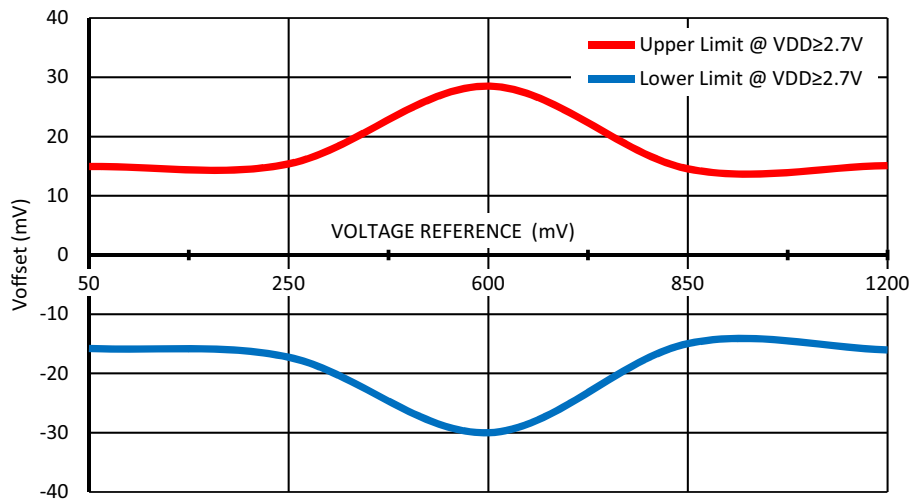
**Table 93. Gain Divider Accuracy**

|          |        |        |        |
|----------|--------|--------|--------|
| Gain     | x0.5   | x0.33  | x0.25  |
| Accuracy | ±0.51% | ±0.34% | ±0.25% |

Each cell also has a hysteresis selection, to offer hysteresis of 0 mV, 25 mV, 50 mV or 200 mV. The 50 mV and 200 mV hysteresis options can be used with internal voltage reference only, while 25 mV hysteresis option can be used with both internal and external voltage reference. The 50 mV and 200 mV hysteresis options are one way hysteresis. It means that the actual thresholds will be Vref (high threshold) and Vref - hysteresis (low threshold). The ACMP output will retain its previous value, if the input voltage is within threshold window (between Vref and Vref - hysteresis). Please note: for the 25 mV hysteresis option threshold levels will be Vref + hysteresis/2 (high threshold) and Vref – hysteresis/2 (low threshold).

*Note: Any ACMP powered on enables the BandGap internal circuit as well. An analog voltage will appear on Vref even when the Force BandGap option is set as Disabled.*

For high input impedance when using the gain divider (x0.25, x0.33, x0.5), it is possible to use the input buffer. However, this will add some offset, see *Figure 53.* to *Figure 54.* . It is not recommended to use ACMP buffer when V<sub>DD</sub> < 2.5 V.



**Figure 53. Typical Buffer Input Voltage Offset vs. Voltage Reference at T = (-40... +85)°C, Buffer Bandwidth = 1 kHz, V<sub>hys</sub> = 0 mV, Gain = 1.**



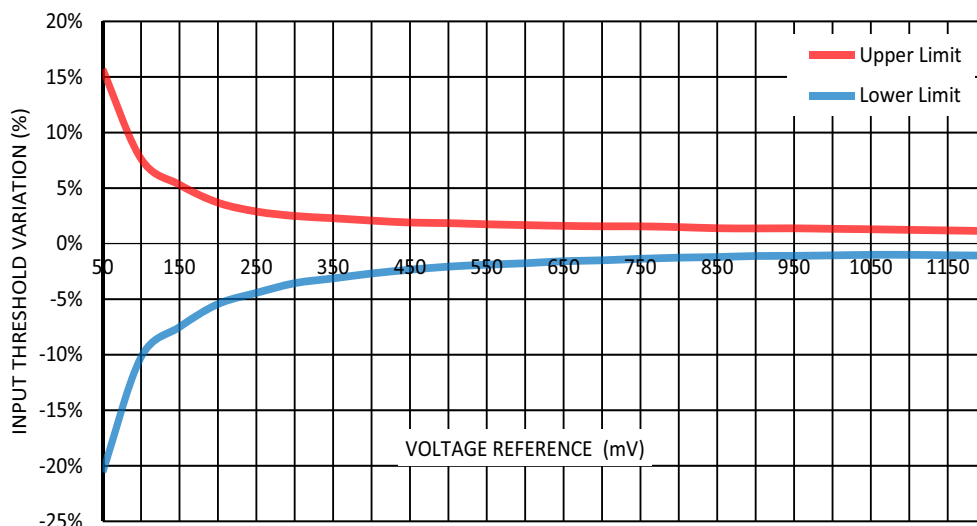


Figure 54. Typical Input Threshold Variation (including Vref variation, ACMP offset) vs. Voltage Reference at T = (-40.... +85)°C, LMB Mode - Disable, V<sub>hys</sub> = 0 mV.

Note: when V<sub>DD</sub> < 1.8V voltage reference should not exceed 1100 mV.

Table 94. Built-in Hysteresis Tolerance at T = 25°C

| V <sub>hys</sub> (mV) | V <sub>DD</sub> = (1.7-1.8) V |       |                      |       |                       |       | V <sub>DD</sub> = (1.89-5.5) V |       |                      |       |                       |       |
|-----------------------|-------------------------------|-------|----------------------|-------|-----------------------|-------|--------------------------------|-------|----------------------|-------|-----------------------|-------|
|                       | Vref = (50-500) mV            |       | Vref = (550-1000) mV |       | Vref = (1050-1200) mV |       | Vref = (50-500) mV             |       | Vref = (550-1000) mV |       | Vref = (1050-1200) mV |       |
|                       | min                           | max   | min                  | max   | min                   | max   | min                            | max   | min                  | max   | min                   | max   |
| 25                    | 8.6                           | 32.2  | 8.6                  | 32.3  | 7.0                   | 32.5  | 8.5                            | 32.3  | 8.5                  | 32.3  | 7.8                   | 34.0  |
| 50                    | 44.8                          | 56.5  | 43.9                 | 56.7  | 42.7                  | 56.4  | 44.2                           | 56.8  | 43.6                 | 57.3  | 43.1                  | 56.0  |
| 200                   | 192.8                         | 207.9 | 194.0                | 208.0 | 192.7                 | 205.4 | 192.0                          | 208.6 | 193.0                | 209.5 | 190.8                 | 207.7 |

10.1 ACMP0 Block Diagram

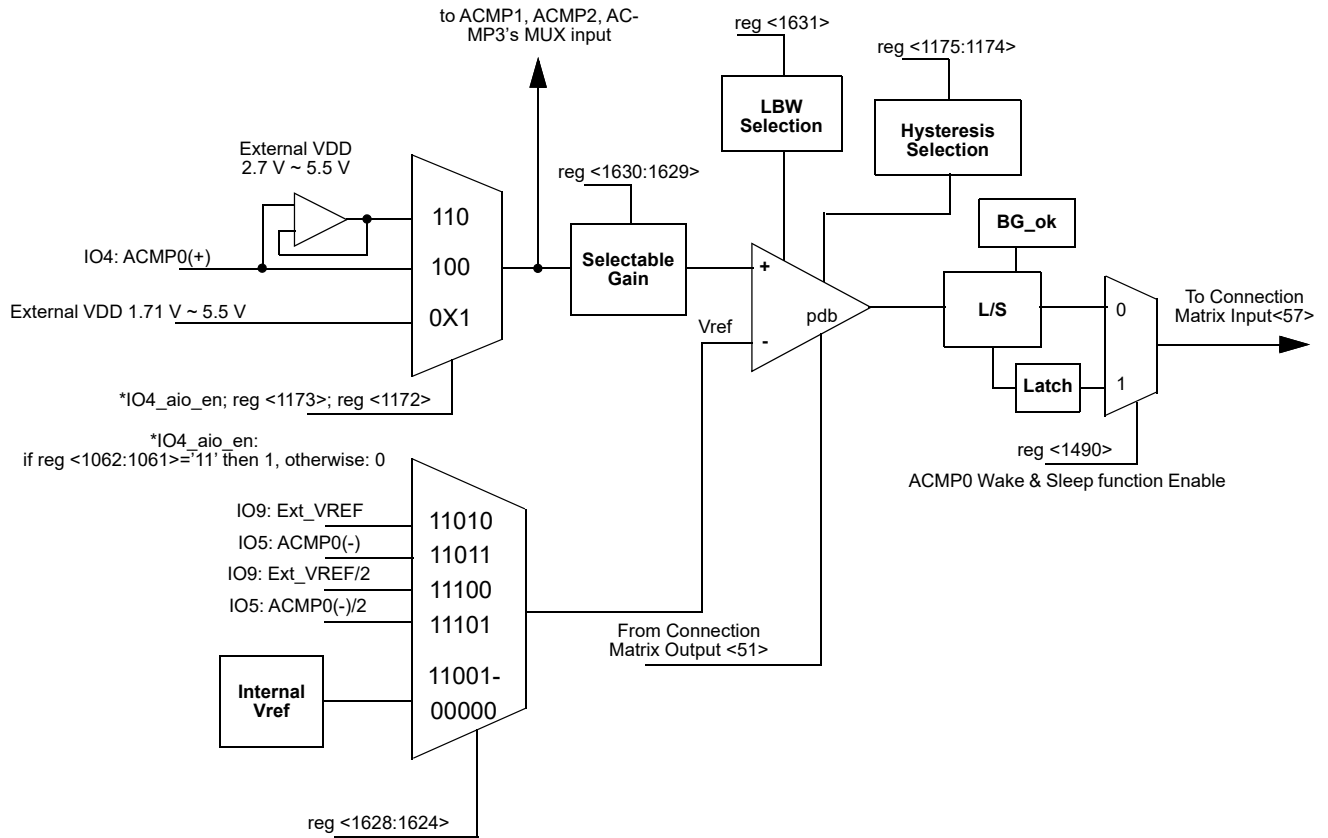
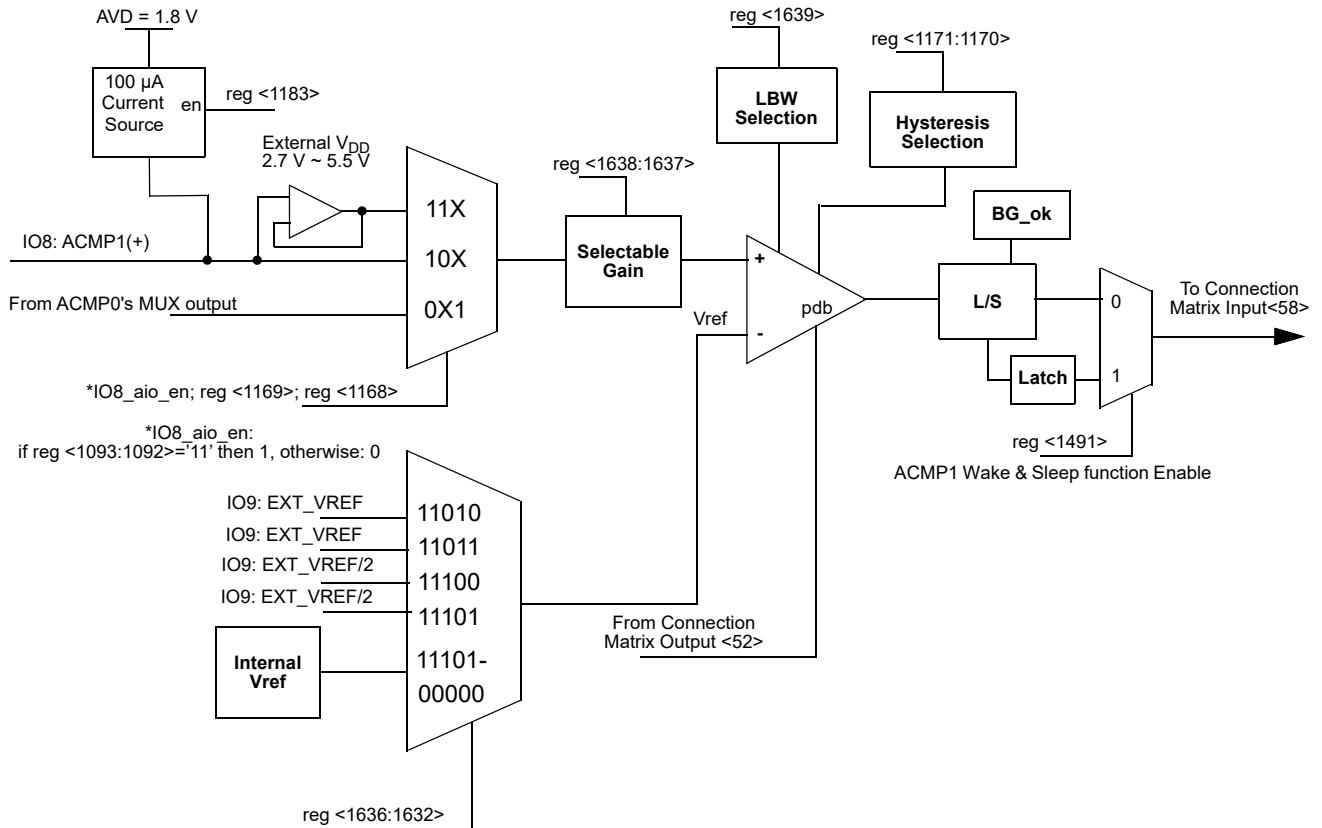


Figure 55. ACMP0 Block Diagram

**10.2 ACMP0 Register Settings**
**Table 95. ACMP0 Register Settings**

| Signal Function                         | Register Bit Address | Register Definition  |
|---|----------------------|--|
| ACMP0 Positive Input Source Select      | reg<1172>            | 0: IO4<br>1: V <sub>DD</sub>   |
| ACMP0 Analog Buffer Enable              | reg<1173>            | 0: Disable analog buffer<br>1: Enable analog buffer  |
| ACMP0 Hysteresis Enable                 | reg<1175:1174>       | 00: Disabled (0 mV)<br>01: Enabled (25 mV)<br>10: Enabled (50 mV)<br>11: Enabled (200 mV)<br><br>(01: for both external & internal VREF; 10 & 11: for only internal VREF; External VREF will not have 50 mV & 200 mV hysteresis.)  |
| ACMP0 Wake & Sleep function Enable      | reg<1490>            | 0: Disable<br>1: Enable  |
| ACMP0 In Voltage Select                 | reg<1628:1624>       | 00000: 50 mV    00001: 100 mV<br>00010: 150 mV    00011: 200 mV<br>00100: 250 mV    00101: 300 mV<br>00110: 350 mV    00111: 400 mV<br>01000: 450 mV    01001: 500 mV<br>01010: 550 mV    01011: 600 mV<br>01100: 650 mV    01101: 700 mV<br>01110: 750 mV    01111: 800 mV<br>10000: 850 mV    10001: 900 mV<br>10010: 950 mV    10011: 1 V<br>10100: 1.05 V    10101: 1.1 V<br>10110: 1.15 V    10111: 1.2 V<br>11000: V <sub>DD</sub> /3    11001: V <sub>DD</sub> /4<br>11010: IO9: EXT_VREF<br>11011: IO5: ACMP0-<br>11100: IO9: EXT_VREF/2<br>11101: IO5: ACMP0-/2<br>11110: Reserved<br>11111: Reserved |
| ACMP0 Positive Input Divider            | reg<1630:1629>       | 00: 1.00X<br>01: 0.50X<br>10: 0.33X<br>11: 0.25X   |
| ACMP0 Low Bandwidth (Max: 1 MHz) Enable | reg<1631>            | 0: Off<br>1: On  |

10.3 ACMP1 Block Diagram



Note: when 100 μA Current Source is enabled input voltage on IO8 should not exceed 1.8 V

Figure 56. ACMP1 Block Diagram

**10.4 ACMP1 Register Settings**
**Table 96. ACMP1 Register Settings**

| Signal Function                                    | Register Bit Address | Register Definition   |
|--|----------------------|---|
| ACMP1 100 $\mu$ A Current Source Enable            | reg<1183>            | 0: Disable<br>1: Enable   |
| ACMP1 Positive Input Source Select                 | reg<1168>            | 0: IO8<br>1: ACMP0 IN+ source   |
| ACMP1 Analog Buffer Enable (max. band width 1 MHz) | reg<1169>            | 0: Disable analog buffer<br>1: Enable analog buffer   |
| ACMP1 Hysteresis Enable                            | reg<1171:1170>       | 00: Disabled (0 mV)<br>01: Enabled (25 mV)<br>10: Enabled (50 mV)<br>11: Enabled (200 mV)<br><br>(01: for both external & internal VREF; 10 & 11: for only internal VREF; External VREF will not have 50mV & 200mV hysteresis.)   |
| ACMP1 Wake & Sleep function Enable                 | reg<1491>            | 0: Disable<br>1: Enable   |
| ACMP1 In Voltage Select                            | reg<1636:1632>       | 00000: 50 mV    00001: 100 mV<br>00010: 150 mV    00011: 200 mV<br>00100: 250 mV    00101: 300 mV<br>00110: 350 mV    00111: 400 mV<br>01000: 450 mV    01001: 500 mV<br>01010: 550 mV    01011: 600 mV<br>01100: 650 mV    01101: 700 mV<br>01110: 750 mV    01111: 800 mV<br>10000: 850 mV    10001: 900 mV<br>10010: 950 mV    10011: 1 V<br>10100: 1.05 V    10101: 1.1 V<br>10110: 1.15 V    10111: 1.2 V<br>11000: $V_{DD}/3$ 11001: $V_{DD}/4$<br>11010: IO9: EXT_VREF<br>11011: Reserved<br>11100: IO9: EXT_VREF/2<br>11101: Reserved<br>11110: Reserved<br>11111: Reserved |
| ACMP1 Positive Input Divider                       | reg<1638:1637>       | 00: 1.00X<br>01: 0.50X<br>10: 0.33X<br>11: 0.25X  |
| ACMP1 Low Bandwidth (Max: 1 MHz) Enable            | reg<1639>            | 0: Off<br>1: On   |

10.5 ACMP2 Block Diagram

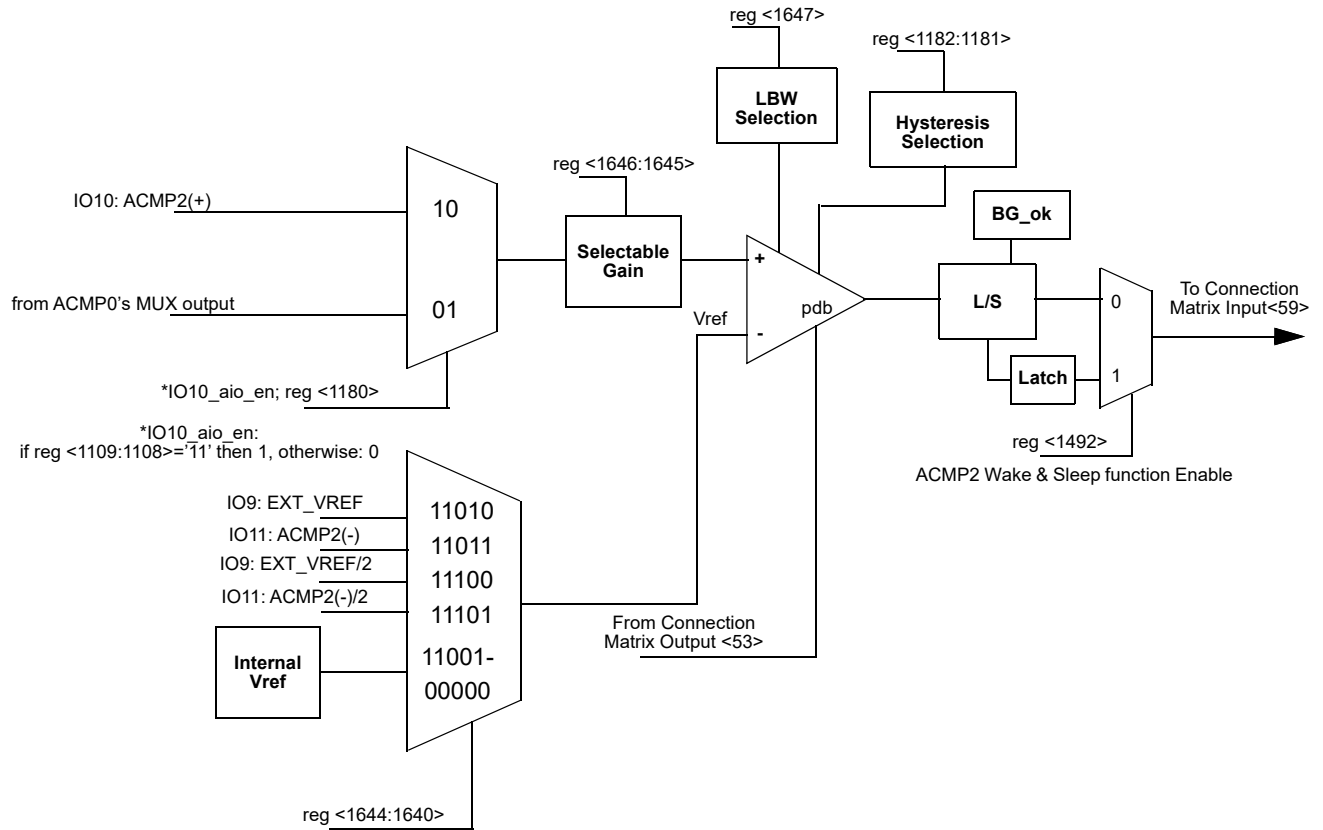


Figure 57. ACMP2 Block Diagram

**10.6 ACMP2 Register Settings**
**Table 97. ACMP2 Register Settings**

| Signal Function                         | Register Bit Address | Register Definition  |
|---|----------------------|--|
| ACMP2 Positive Input Source Select      | reg<1180>            | 0: IO10<br>1: ACMP0 IN+ source   |
| ACMP2 Hysteresis Enable                 | reg<1182:1181>       | 00: Disabled (0 mV)<br>01: Enabled (25 mV)<br>10: Enabled (50 mV)<br>11: Enabled (200 mV)<br><br>(01: for both external & internal VREF; 10 & 11: for only internal VREF; External VREF will not have 50mV & 200mV hysteresis.)  |
| ACMP2 Wake & Sleep function Enable      | reg<1492>            | 0: Disable<br>1: Enable  |
| ACMP2 In Voltage Select                 | reg<1644:1640>       | 00000: 50 mV    00001: 100 mV<br>00010: 150 mV    00011: 200 mV<br>00100: 250 mV    00101: 300 mV<br>00110: 350 mV    00111: 400 mV<br>01000: 450 mV    01001: 500 mV<br>01010: 550 mV    01011: 600 mV<br>01100: 650 mV    01101: 700 mV<br>01110: 750 mV    01111: 800 mV<br>10000: 850 mV    10001: 900 mV<br>10010: 950 mV    10011: 1 V<br>10100: 1.05 V    10101: 1.1 V<br>10110: 1.15 V    10111: 1.2 V<br>11000: $V_{DD}/3$ 11001: $V_{DD}/4$<br>11010: IO9: EXT_VREF<br>11011: IO11: ACMP2-<br>11100: IO9: EXT_VREF /2<br>11101: IO11: ACMP2-/2<br>11110: Reserved<br>11111: Reserved |
| ACMP2 Positive Input Divider            | reg<1646:1645>       | 00: 1.00X<br>01: 0.50X<br>10: 0.33X<br>11: 0.25X   |
| ACMP2 Low Bandwidth (Max: 1 MHz) Enable | reg<1647>            | 0: Off<br>1: On  |

10.7 ACMP3 Block Diagram

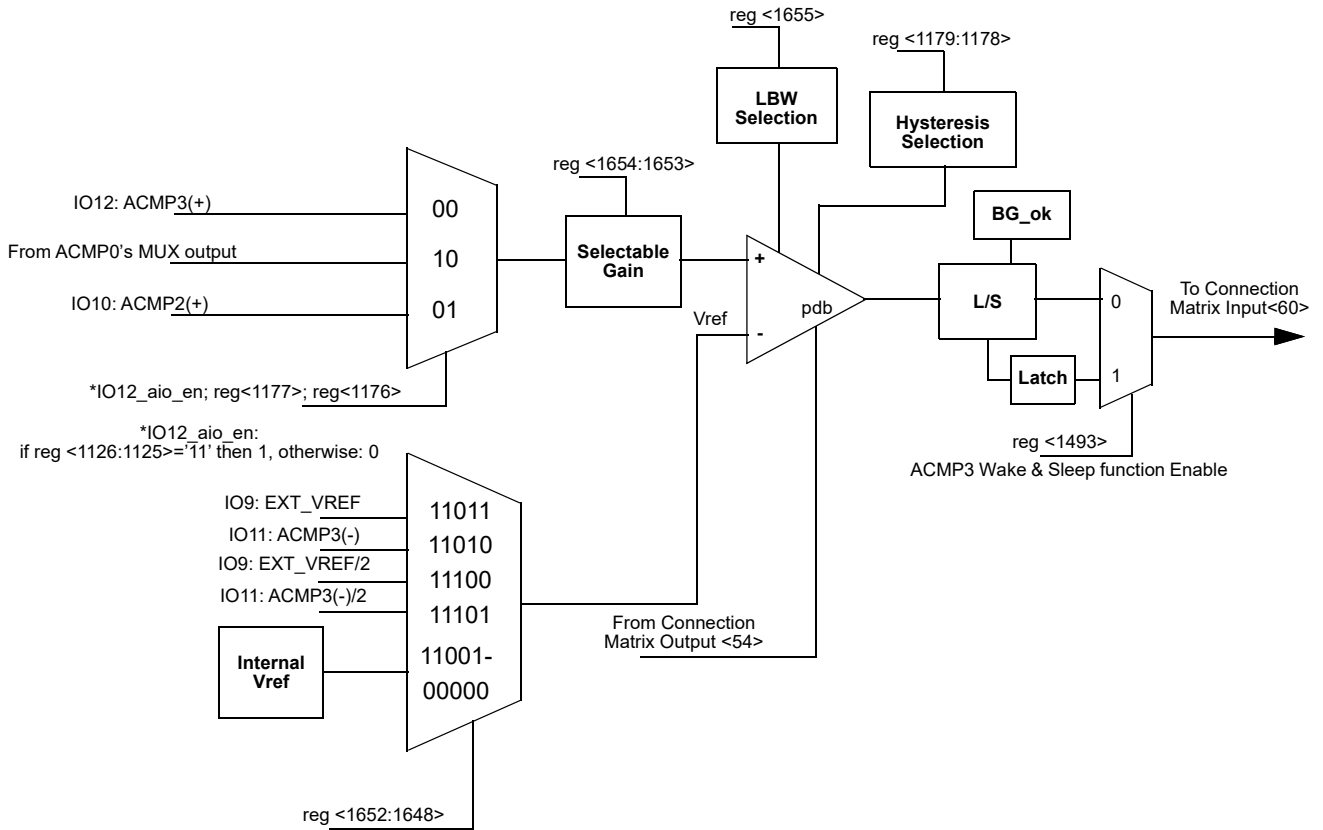


Figure 58. ACMP3 Block Diagram



**10.8 ACMP3 Register Settings**
**Table 98. ACMP3 Register Settings**

| Signal Function                         | Register Bit Address | Register Definition  |
|---|----------------------|--|
| ACMP3 Positive Input Source Select      | reg<1177:1176>       | 00: IO12<br>01: ACMP2 IN+ source<br>10: ACMP0 IN+ source<br>11: Reserved   |
| ACMP3 Hysteresis Enable                 | reg<1179:1178>       | 00: Disabled (0 mV)<br>01: Enabled (25 mV)<br>10: Enabled (50 mV)<br>11: Enabled (200 mV)<br><br>(01: for both external & internal VREF; 10 & 11: for only internal VREF; External VREF will not have 50 mV & 200 mV hysteresis.)  |
| ACMP3 Wake & Sleep function Enable      | reg<1493>            | 0: Disable<br>1: Enable  |
| ACMP3 In Voltage Select                 | reg<1652:1648>       | 00000: 50 mV      00001: 100 mV<br>00010: 150 mV    00011: 200 mV<br>00100: 250 mV    00101: 300 mV<br>00110: 350 mV    00111: 400 mV<br>01000: 450 mV    01001: 500 mV<br>01010: 550 mV    01011: 600 mV<br>01100: 650 mV    01101: 700 mV<br>01110: 750 mV    01111: 800 mV<br>10000: 850 mV    10001: 900 mV<br>10010: 950 mV    10011: 1 V<br>10100: 1.05 V    10101: 1.1 V<br>10110: 1.15 V    10111: 1.2 V<br>11000: V <sub>DD</sub> /3    11001: V <sub>DD</sub> /4<br>11010: IO9: EXT_VREF<br>11011: IO11: ACMP3-<br>11100: IO9: EXT_VREF/2<br>11101: IO11: ACMP3-/2<br>11110: Reserved<br>11111: Reserved |
| ACMP3 Positive Input Divider            | reg<1654:1653>       | 00: 1.00X<br>01: 0.50X<br>10: 0.33X<br>11: 0.25X   |
| ACMP3 Low Bandwidth (Max: 1 MHz) Enable | reg<1655>            | 0: Off<br>1: On  |

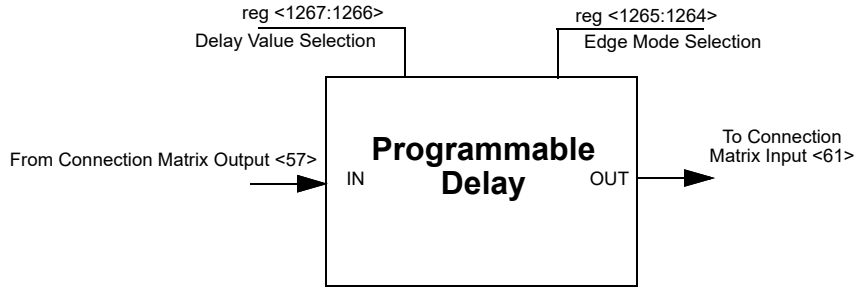
## 11.0 Pipe Delay (PD)

The SLG46537 has a pipe delay logic cell that is shared with the LUT3\_10 in one of the Combination Function macrocells. The user can select one of these functions to use in a design, but not both. Please see Section 9.5 *3-Bit LUT or Pipe Delay Macrocell* for the description of this Combination Function macrocell.

**12.0 Programmable Delay / Edge Detector**

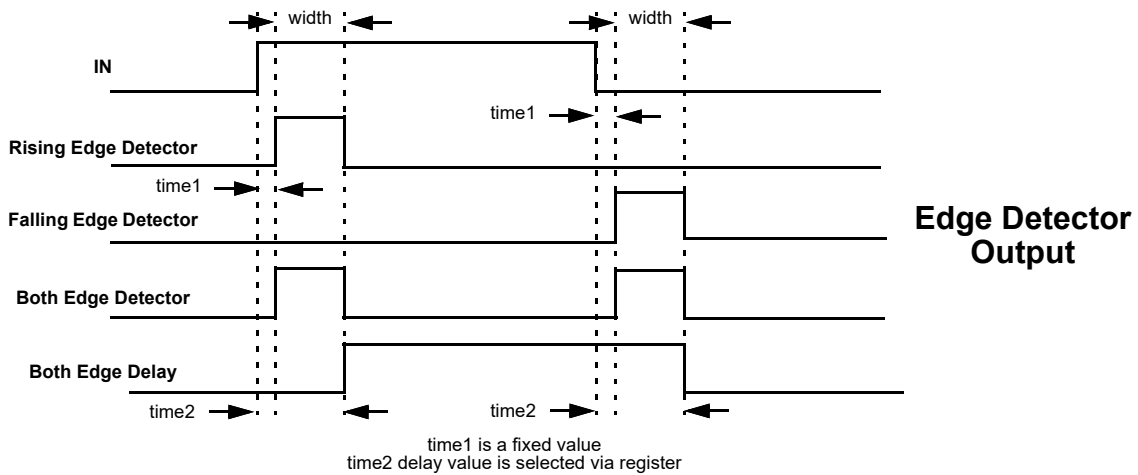
The SLG46537 has a programmable time delay logic cell available that can generate a delay that is selectable from one of four timings configured in the GreenPAK Designer. The programmable time delay cell can generate one of four different delay patterns, rising edge detection, falling edge detection, both edge detection and both edge delay. See the timing diagrams below for further information.

*Note: The input signal must be longer than the delay, otherwise it will be filtered out.*



**Figure 59. Programmable Delay**

**12.1 Programmable Delay Timing Diagram - Edge Detector Output**



**Figure 60. Edge Detector Output**

Please refer to *Table 5. Expected Delays and Widths (typical)*

**12.2 Programmable Delay Register Settings**
**Table 99. Programmable Delay Register Settings**

| Signal Function   | Register Bit Address | Register Definition  |
|---|----------------------|--|
| Select the edge mode of programmable delay & edge detector  | reg<1265:1264>       | 00: Rising Edge Detector<br>01: Falling Edge Detector<br>10: Both Edge Detector<br>11: Both Edge Delay |
| Delay value select for programmable delay & edge detector (V <sub>DD</sub> = 3.3V, typical condition) | reg<1267:1266>       | 00: 165 ns<br>01: 300 ns<br>10: 440 ns<br>11: 575 ns   |

13.0 Additional Logic Functions

The SLG46537 has two additional logic functions that are connected directly to the Connection Matrix inputs and outputs. There are two deglitch filters, each with edge detector functions. See section 5.11 *Typical Pulse Width Performance*.

13.1 Deglitch Filter / Edge Detector

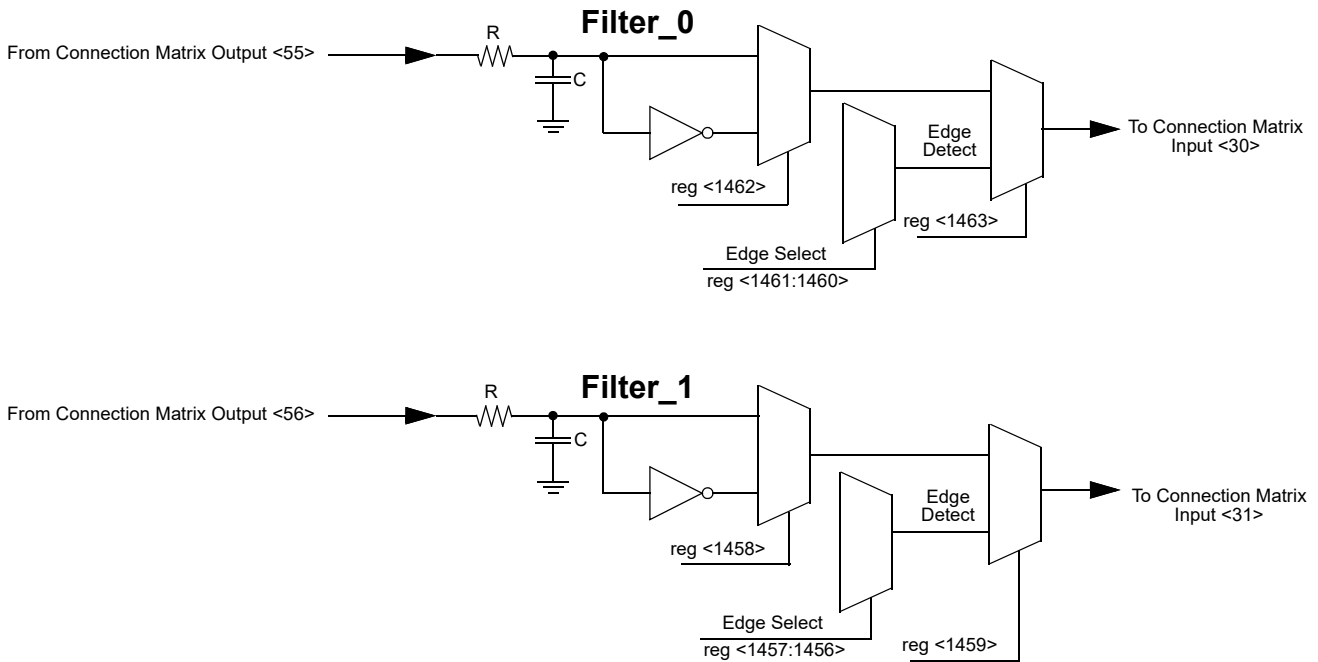


Figure 61. Deglitch Filter / Edge Detector

13.2 Deglitch Filter Register Settings

Table 100. Programmable Delay Register Settings

| Signal Function  | Register Bit Address | Register Definition   |
|--|----------------------|---|
| Filter_1/Edge Detector_1 Edge Select                                     | reg<1457:1456>       | 00: Rising Edge Detector<br>01: Fall Edge Detector<br>10: Both Edge Detector<br>11: Both Edge Delay |
| Filter_1/Edge Detector_1 output Polarity Select                          | reg<1458>            | 0: Filter_1 output<br>1: Filter_1 output inverted   |
| Filter_1 or Edge Detector_1 Select (Typ. 30 nS @V <sub>DD</sub> = 3.3 V) | reg<1459>            | 0: Filter_1<br>1: Edge Detector_1   |
| Filter_0/Edge Detector_0 Edge Select                                     | reg<1461:1460>       | 00: Rising Edge Detector<br>01: Fall Edge Detector<br>10: Both Edge Detector<br>11: Both Edge Delay |

**Table 100. Programmable Delay Register Settings**

| Signal Function  | Register Bit Address | Register Definition                               |
|--|----------------------|---|
| Filter_0/Edge Detector_0 output Polarity Select                          | reg<1462>            | 0: Filter_0 output<br>1: Filter_0 output inverted |
| Filter_0 or Edge Detector_0 Select (Typ. 47 nS @V <sub>DD</sub> = 3.3 V) | reg<1463>            | 0: Filter_0<br>1: Edge Detector_0                 |

## 14.0 Voltage Reference (VREF)

### 14.1 Voltage Reference Overview

The SLG46537 has a Voltage Reference Macrocell to provide references to the four analog comparators. This macrocell can supply a user selection of fixed voltage references,  $/3$  and  $/4$  reference off of the  $V_{DD}$  power supply to the device, and externally supplied voltage references from IOs 5, 9, and 11. The macrocell also has the option to output reference voltages on IOs 15 and 16. See table below for the available selections for each analog comparator. Also see *Figure 62*, below, which shows the reference output structure.

### 14.2 VREF Selection Table

**Table 101. VREF Selection Table**

| SEL<4:0> | ACMP0_VREF       | ACMP1_VREF       | ACMP2_VREF       | ACMP3_VREF       |
|----------|------------------|------------------|------------------|------------------|
| 11101    | vref_ext_acmp0/2 | vref_ext_acmp1/2 | vref_ext_acmp2/2 | vref_ext_acmp2/2 |
| 11100    | vref_ext_acmp1/2 | vref_ext_acmp1/2 | vref_ext_acmp1/2 | vref_ext_acmp1/2 |
| 11011    | vref_ext_acmp0   | vref_ext_acmp1   | vref_ext_acmp2   | vref_ext_acmp2   |
| 11010    | vref_ext_acmp1   | vref_ext_acmp1   | vref_ext_acmp1   | vref_ext_acmp1   |
| 11001    | $V_{DD} / 4$     | $V_{DD} / 4$     | $V_{DD} / 4$     | $V_{DD} / 4$     |
| 11000    | $V_{DD} / 3$     | $V_{DD} / 3$     | $V_{DD} / 3$     | $V_{DD} / 3$     |
| 10111    | 1.20             | 1.20             | 1.20             | 1.20             |
| 10110    | 1.15             | 1.15             | 1.15             | 1.15             |
| 10101    | 1.10             | 1.10             | 1.10             | 1.10             |
| 10100    | 1.05             | 1.05             | 1.05             | 1.05             |
| 10011    | 1.00             | 1.00             | 1.00             | 1.00             |
| 10010    | 0.95             | 0.95             | 0.95             | 0.95             |
| 10001    | 0.90             | 0.90             | 0.90             | 0.90             |
| 10000    | 0.85             | 0.85             | 0.85             | 0.85             |
| 01111    | 0.80             | 0.80             | 0.80             | 0.80             |
| 01110    | 0.75             | 0.75             | 0.75             | 0.75             |
| 01101    | 0.70             | 0.70             | 0.70             | 0.70             |
| 01100    | 0.65             | 0.65             | 0.65             | 0.65             |
| 01011    | 0.60             | 0.60             | 0.60             | 0.60             |
| 01010    | 0.55             | 0.55             | 0.55             | 0.55             |
| 01001    | 0.50             | 0.50             | 0.50             | 0.50             |
| 01000    | 0.45             | 0.45             | 0.45             | 0.45             |
| 00111    | 0.40             | 0.40             | 0.40             | 0.40             |
| 00110    | 0.35             | 0.35             | 0.35             | 0.35             |
| 00101    | 0.30             | 0.30             | 0.30             | 0.30             |
| 00100    | 0.25             | 0.25             | 0.25             | 0.25             |
| 00011    | 0.20             | 0.20             | 0.20             | 0.20             |
| 00010    | 0.15             | 0.15             | 0.15             | 0.15             |
| 00001    | 0.10             | 0.10             | 0.10             | 0.10             |
| 00000    | 0.05             | 0.05             | 0.05             | 0.05             |

| $V_{DD}$      | Practical VREF Range | Note                       |
|---------------|----------------------|----------------------------|
| 2.0 V - 5.5 V | 50 mV ~ 1.2 V        |                            |
| 1.7 V - 2.0V  | 50 mV ~ 1.0 V        | Do not operate above 1.0 V |

14.3 VREF Block Diagram

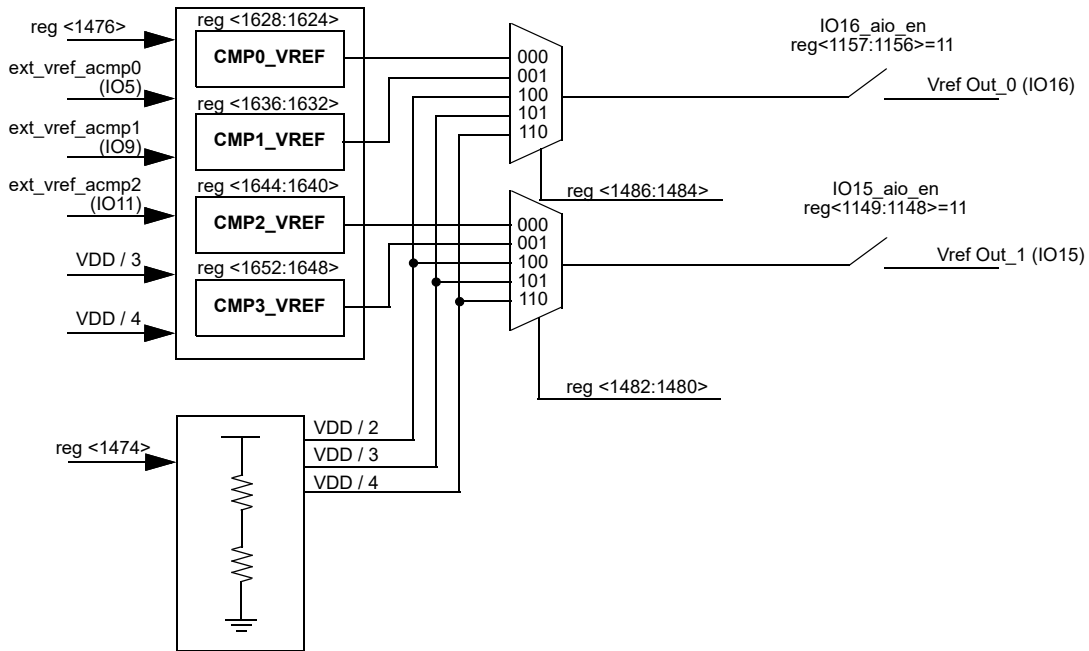


Figure 62. Voltage Reference Block Diagram



14.4 VREF Load Regulation

Note 1: VREF buffer performance is not guaranteed at  $V_{DD} < 2.7$  V.

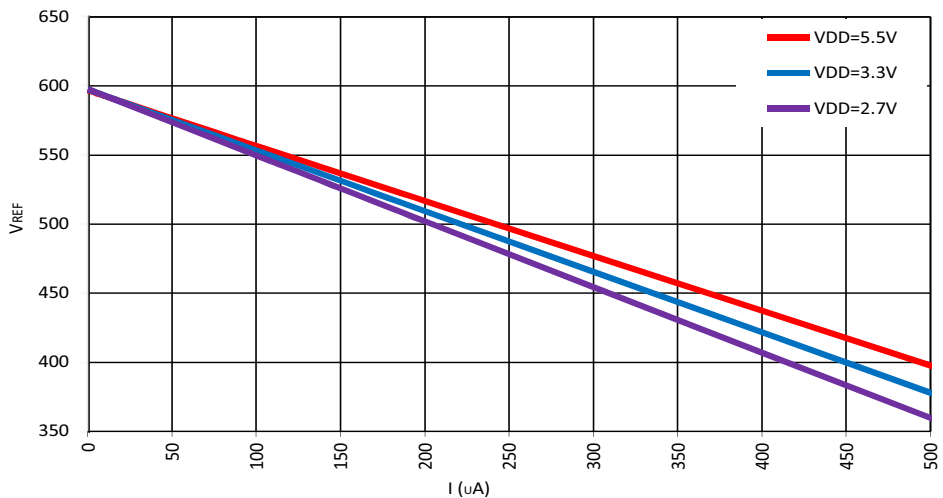


Figure 63. Typical Load Regulation, VREF = 600 mV, T = (-40...+85)°C, Buffer - Enable

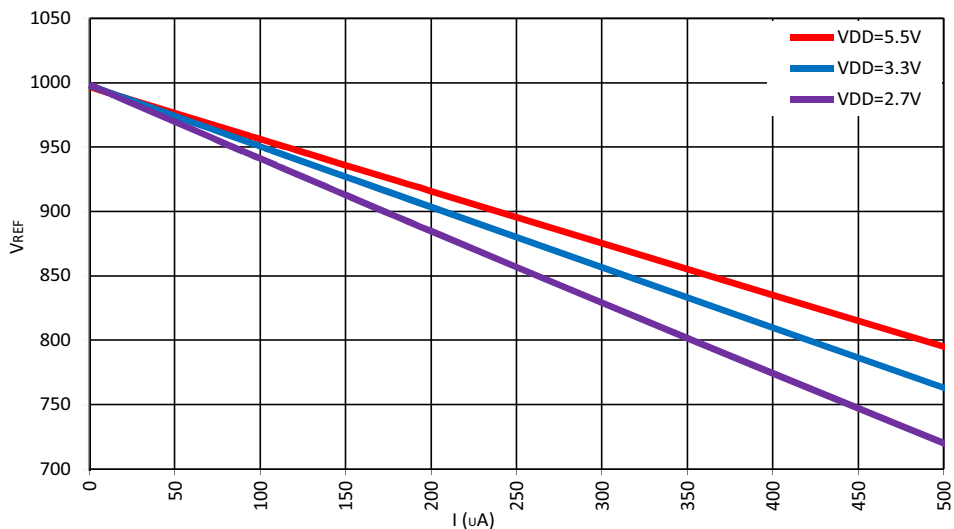


Figure 64. Typical Load Regulation, VREF = 1000 mV, T = (-40...+85)°C, Buffer - Enable

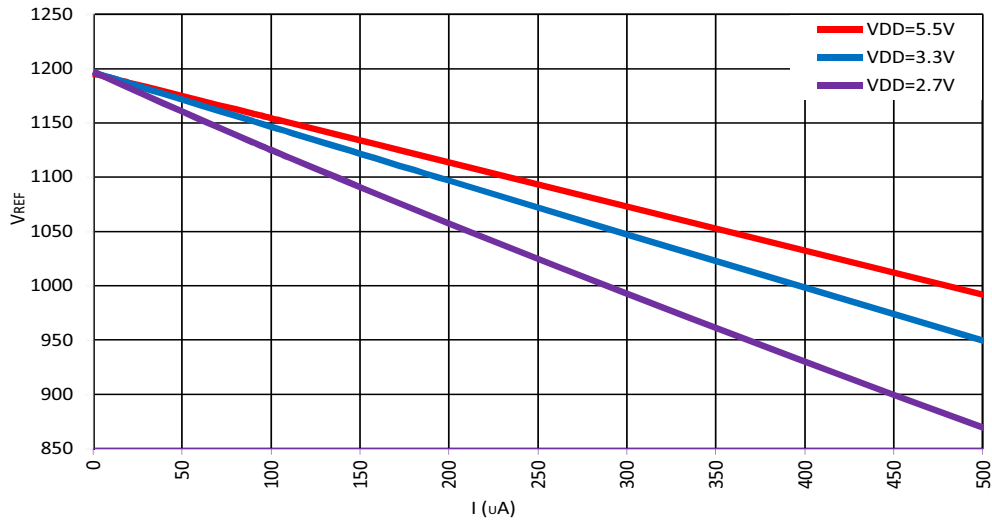


Figure 65. Typical Load Regulation, VREF = 1200 mV, T = (-40...+85)°C, Buffer - Enable

## 15.0 RC Oscillator (RC Osc)

The SLG46537 has three internal oscillators. RC Oscillator that runs at 25 kHz / 2 MHz (OSC0), Oscillator that runs at 25 MHz (OSC1) and Crystal Oscillator. It is possible to use all three oscillators simultaneously. The fundamental frequency can also come from clock input (IO15 or IO17 for 25 kHz / 2 MHz and IO14 for 25 MHz or Crystal OSC), see Section 21.0 External Clocking.

### 15.1 25 kHz/2 MHz and 25 MHz RC Oscillators

There are two divider stages that allow the user flexibility for introducing clock signals on various Connection Matrix Input lines. The predivider allows the selection of /1, /2, /4 or /8 divide down frequency from the fundamental. The second stage divider (only for 25 kHz / 2 MHz Oscillator) has an input of frequency from the predivider, and outputs one of seven different frequencies on Connection Matrix Input lines <27> (OUT0) and <28> (OUT1). See *Figure 66.* and *Figure 67.* below for details.

There are two modes of the POWER CONTROL pin, (reg<1658> for 25 kHz / 2 MHz OSC and reg<1657> for 25 MHz OSC):

- **POWER DOWN <0>**. If PWR CONTROL input of oscillator is LOW, the oscillator will be turned on. If PWR CONTROL input of oscillator is HIGH the oscillator will be turned off and OSC divider will reset.
- **FORCE ON <1>**. If PWR CONTROL input of oscillator is HIGH, the oscillator will be turned on. If PWR CONTROL input of oscillator is LOW the oscillator will be turned off.

The PWR CONTROL signal has the highest priority.

The SLG46537 has a 25 kHz / 2 MHz OSC FAST START-UP function reg<1338> (1 – on, 0 – off). It allows the OSC to run immediately after power-up this decreases the settling time. Note that when OSC FAST START-UP is on, the current consumption will rise.

The user can select two OSC POWER MODEs (reg<1343 for 25 kHz / 2 MHz OSC and reg<1341> for 25 MHz OSC):

- If **AUTO POWER ON <0>** is selected, the OSC will run when any macrocell that uses OSC is powered on.
- If **FORCE POWER ON <1>** is selected, the OSC will run when the SLG46537 is powered on.

OSC can be turned on by:

- Register control (force power on)
- Delay mode, when delay requires OSC
- CNT/FSM

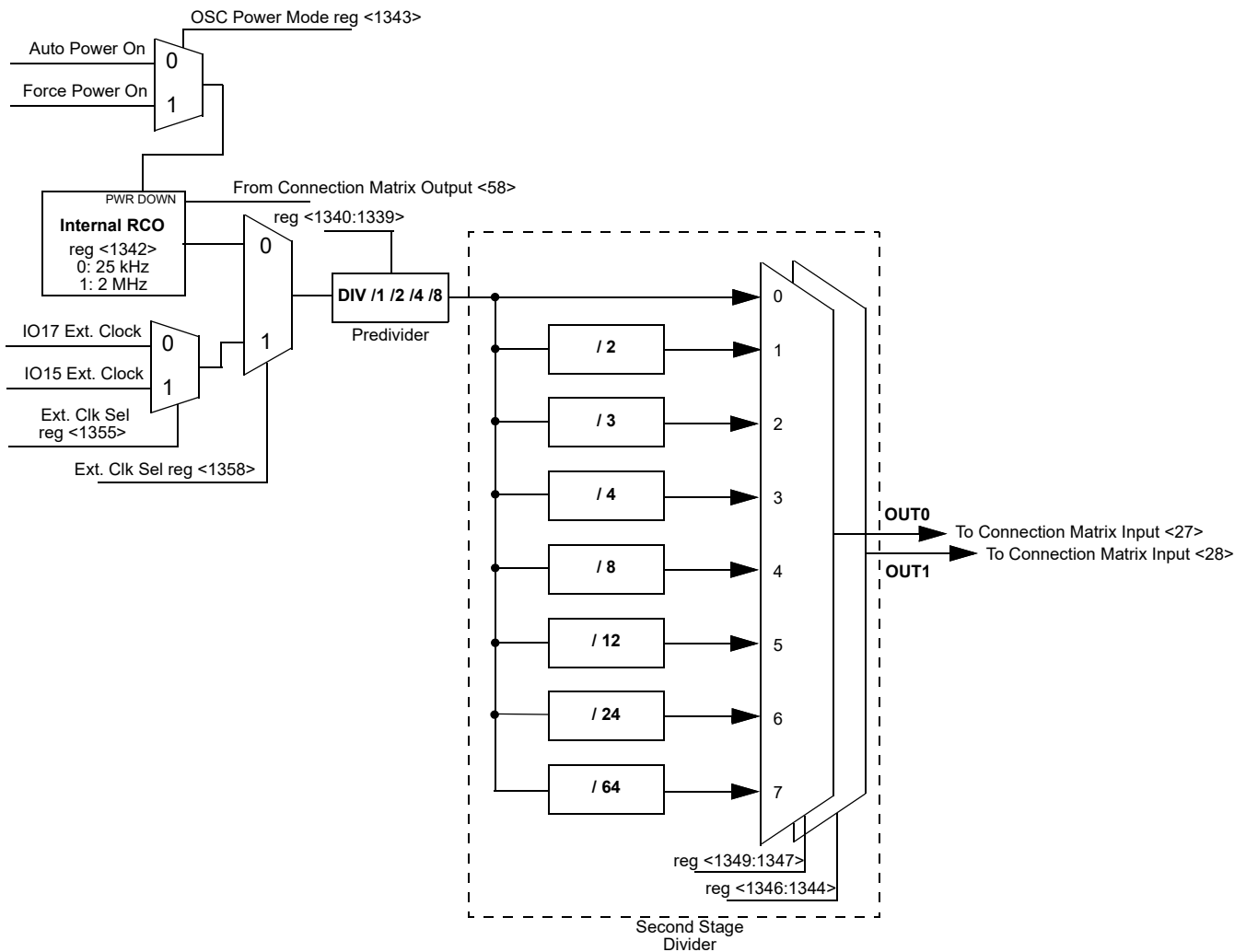


Figure 66. 25 kHz / 2 MHz RC OSC Block Diagram

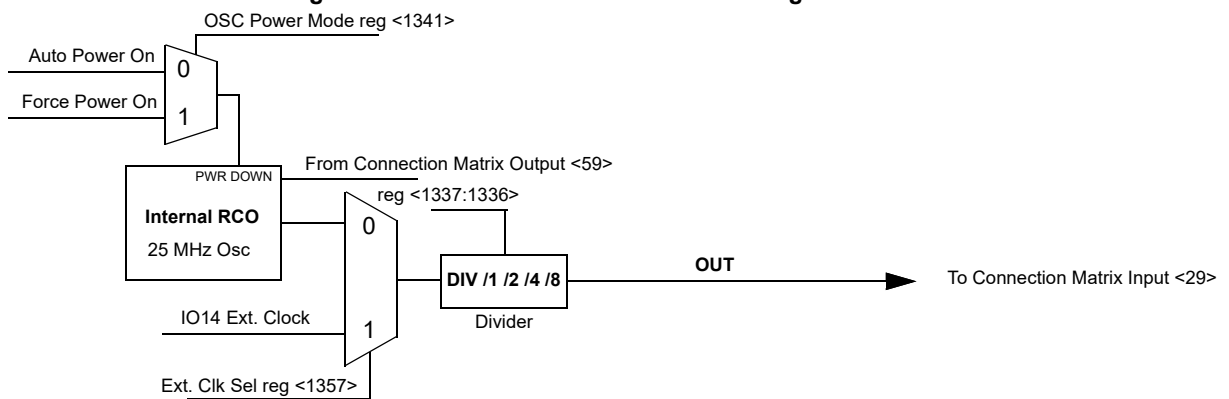


Figure 67. 25 MHz RC OSC Block Diagram

15.2 Oscillator Power On delay

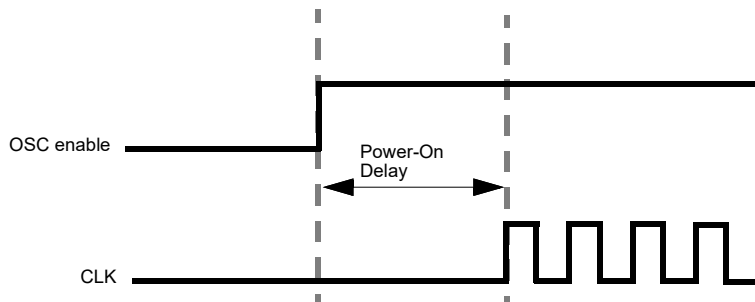


Figure 68. Oscillator Startup Diagram

Note 1: OSC power mode: "Auto Power On".

Note 2: "OSC enable" signal appears when any macrocell that uses OSC is powered on.

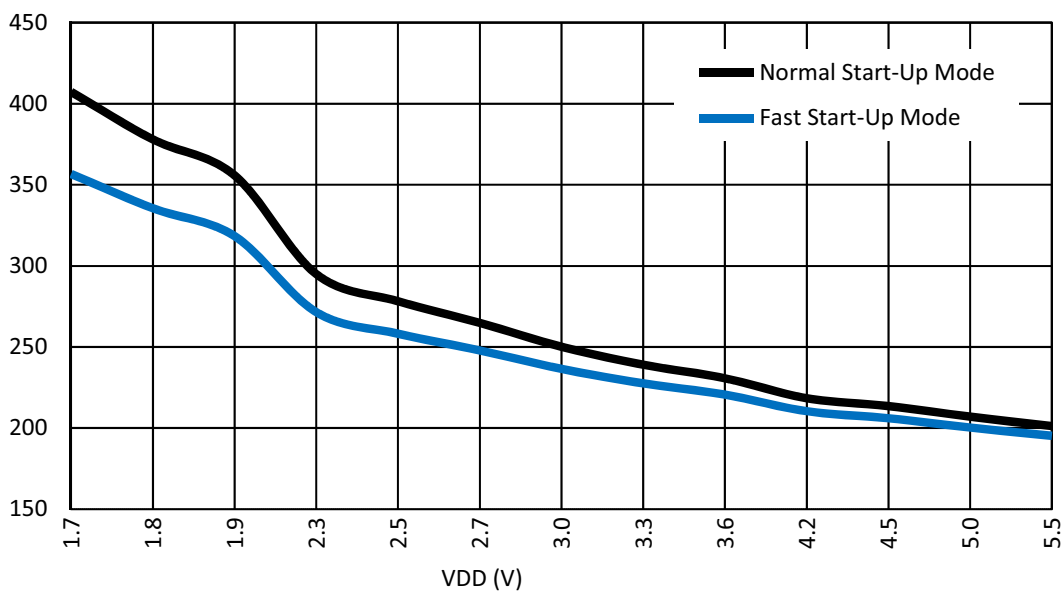


Figure 69. RC Oscillator Maximum Power On Delay vs. V<sub>DD</sub> at room temperature, OSC0 = 2 MHz

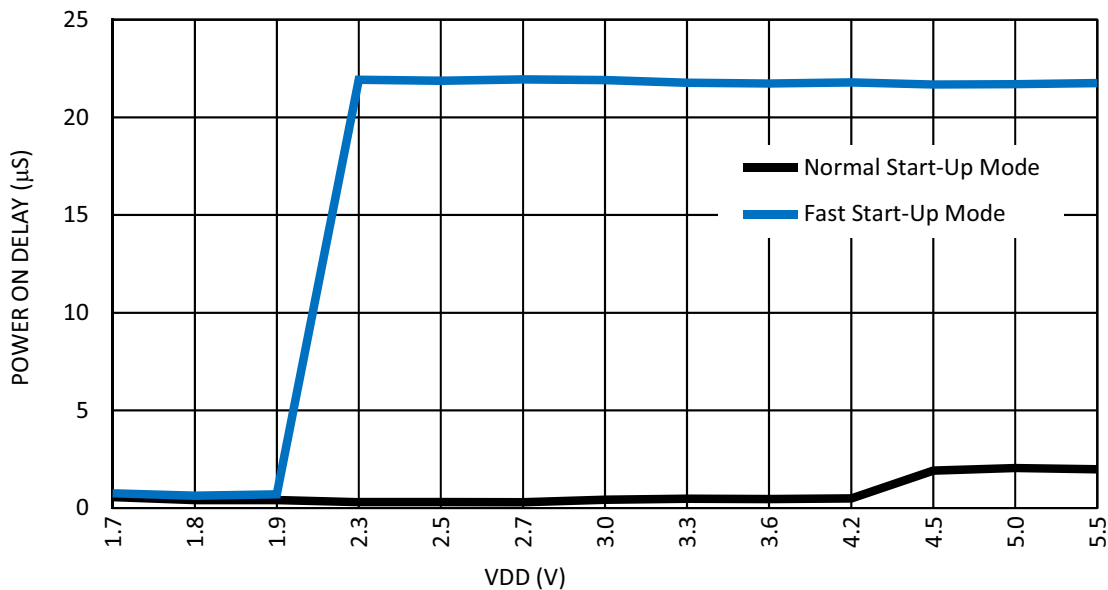


Figure 70. RC Oscillator Maximum Power On Delay vs. V<sub>DD</sub> at 85°C, OSC0 = 25 kHz

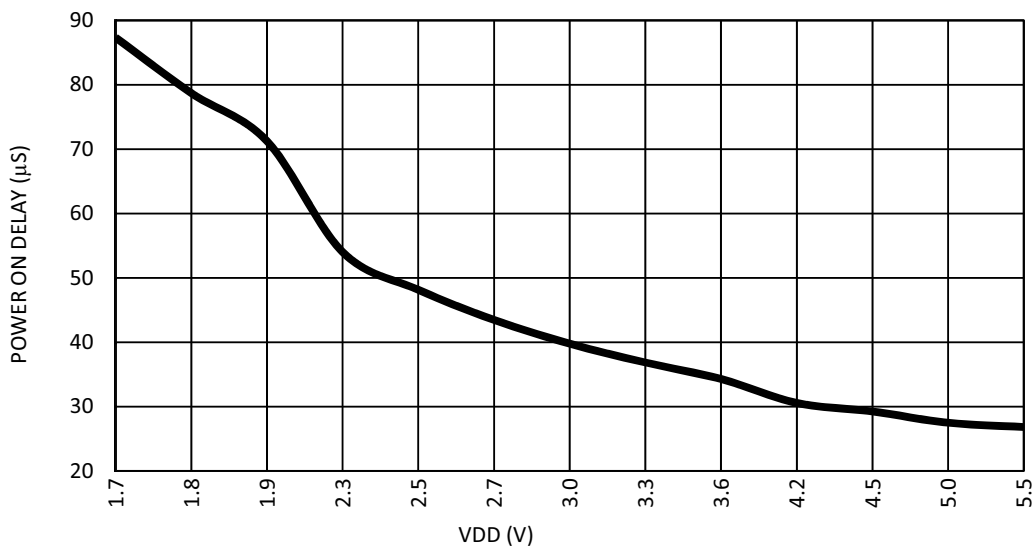


Figure 71. OSC1 (25 MHz) Maximum Power On Delay vs. V<sub>DD</sub> at 85°C

15.3 Oscillator Accuracy

Note 1: OSC power setting: Force Power On; Clock to matrix input - enable; Bandgap: turn on by register - enable.

Note 2: For more information see section 5.12 OSC Specifications.

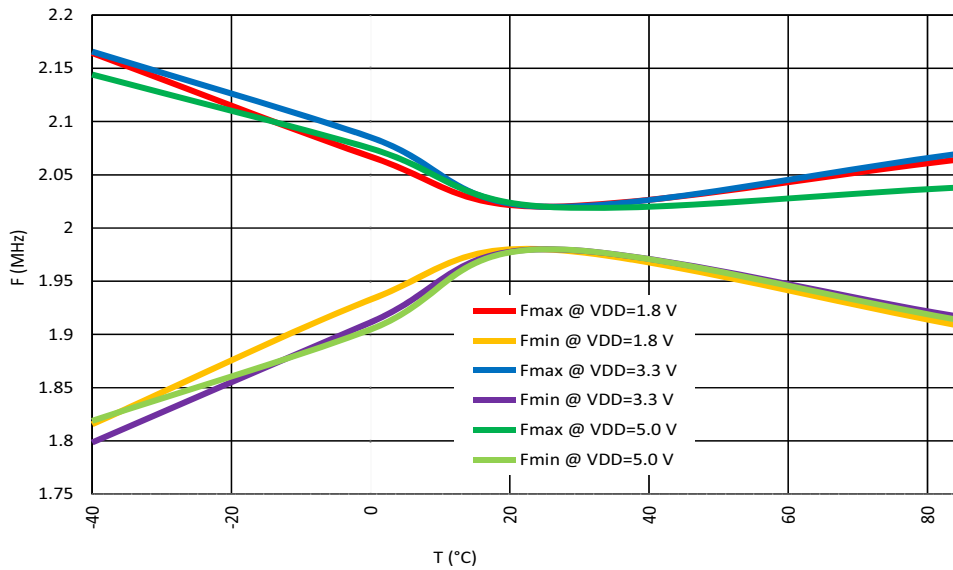


Figure 72. RC Oscillator Frequency vs. Temperature, RC OSC0 = 2 MHz

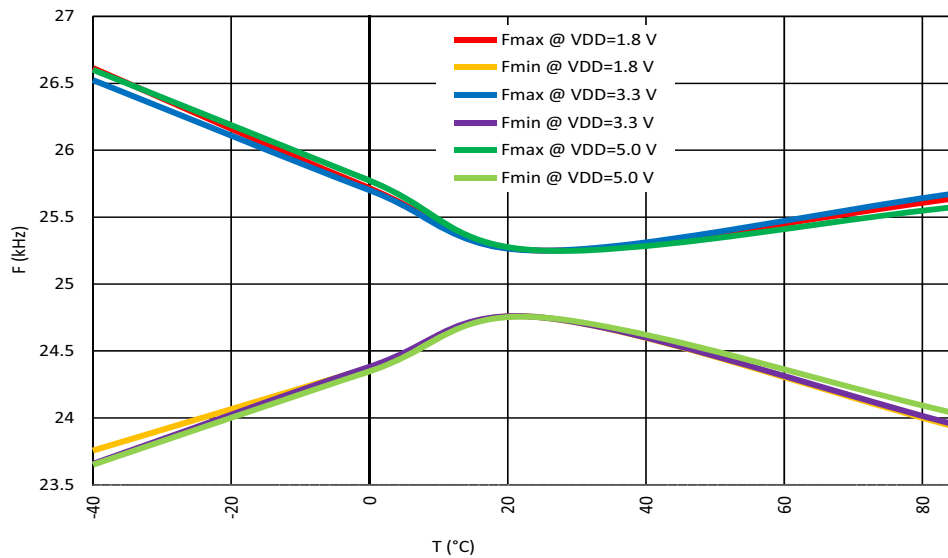


Figure 73. RC Oscillator Frequency vs. Temperature, RC OSC0 = 25 kHz

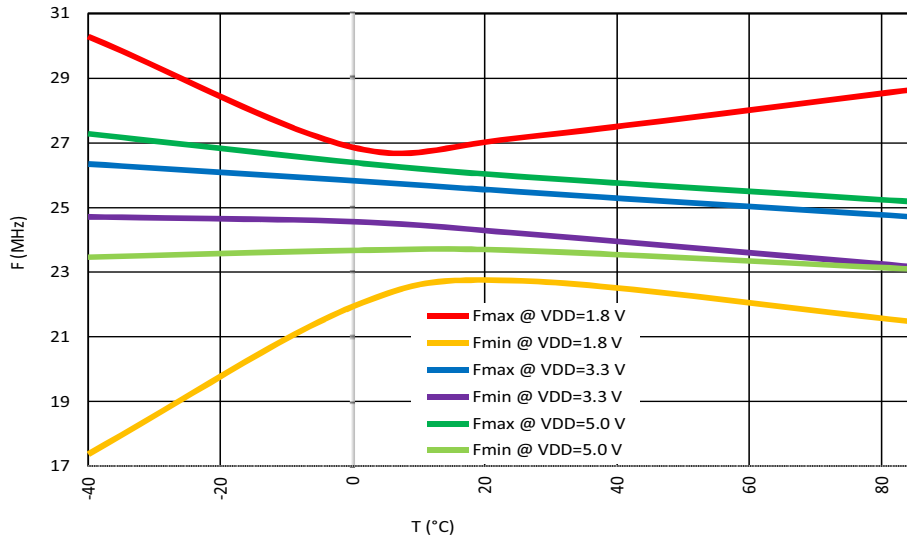


Figure 74. OSC1 (25 MHz) Frequency vs. Temperature

Note: 25 MHz RC OSC1 performance is not guaranteed at  $V_{DD} < 2.5$  V.



16.0 Crystal Oscillator

The Crystal OSC provides an inverter circuit which can be connected to external components such as an external quartz crystal or ceramic resonator to create a precise and stable frequency output. As shown in *Figure 76*, IO14 and IO13 are the inverter's input and output respectively. To ensure start-up, 2.7 V or greater on VDD is recommended so that the inverter has enough gain-bandwidth. Start-up margin depends on crystal/resonator characteristics which vary by frequency, size, cut, and manufacturer. Optimal values of external components depend on stray capacitances, crystal/resonator characteristics and noise from the environment. For typical component values, please refer to *Table 102* as a starting point. For ceramic resonators, capacitors as recommended by the manufacturer can be used.

An alternative use of Crystal OSC is as a clock buffer, in which case an external clock source can be connected to IO14. For this use, VDD can be as low as 1.71 V, but note that the Crystal OSC inverter is slower at lower VDD voltages, and hence the longer rise and fall delays may result in more duty cycle skew for higher frequency clocks.

The Power Down Mode is paired with temperature sensor. If it is enabled for Crystal OSC, it is not available for Temp Sensor and vice versa. However, it is possible to enable Power Down Mode for Crystal OSC and Temp Sensor simultaneously

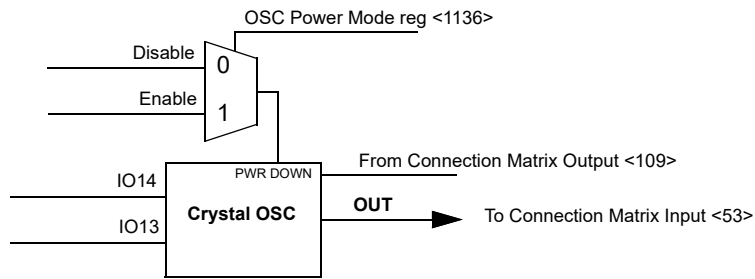


Figure 75. Crystal OSC Block Diagram

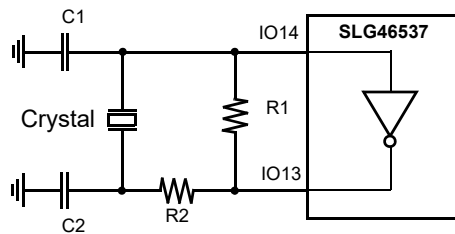


Figure 76. External Crystal Connection

Table 102. External Components Selection Table

| f          | C1    | C2     | R1    | R2    |
|------------|-------|--------|-------|-------|
| 32.768 kHz | 10 pF | 330 pF | 20 MΩ | 20 kΩ |
| 4 - 40 MHz | 12 pF | 12 pF  | 1 MΩ  | 0 Ω   |

## 17.0 Power On Reset (POR)

The SLG46537 has a power-on reset (POR) macrocell to ensure correct device initialization and operation of all macrocells in the device. The purpose of the POR circuit is to have consistent behavior and predictable results when the  $V_{DD}$  power is first ramping to the device, and also while the  $V_{DD}$  is falling during power-down. To accomplish this goal, the POR drives a defined sequence of internal events that trigger changes to the states of different macrocells inside the device, and finally to the state of the IO pins.

### 17.1 General Operation

To start the POR sequence in the SLG46537, the voltage applied on the  $V_{DD}$  should be higher than the Power\_ON threshold (see Note 1). The full operational  $V_{DD}$  range for the SLG46537 is 1.71 V to 5.5 V (1.8 V  $\pm 5\%$  to 5 V  $\pm 10\%$ ). This means that the  $V_{DD}$  voltage must ramp up to the operational voltage value, but the POR sequence will start earlier, as soon as the  $V_{DD}$  voltage rises to the Power\_ON threshold. After the POR sequence has started, the SLG46537 will have a typical period of time to go through all the steps in the sequence (noted in the datasheet for that device), and will be ready and completely operational after the POR sequence is complete.

The SLG46537 is guaranteed to be powered down and nonoperational when the  $V_{DD}$  voltage (voltage on  $V_{DD}$ ) is less than Power Off Threshold (see in Electrical Characteristics table), but not less than -0.6 V. Another essential condition for the chip to be powered down is that no voltage higher (see Note 2) than the  $V_{DD}$  voltage is applied to any other PIN. For example, if  $V_{DD}$  voltage is 0.3 V, applying a voltage higher than 0.3 V to any other PIN is incorrect, and can lead to incorrect or unexpected device behavior.

*Note 1: The Power\_ON threshold is defined in Electrical Characteristics table.*

*Note 2: There is a 0.6V margin due to forward drop voltage of the ESD protection diodes.*

To power down the chip the  $V_{DD}$  voltage should be lower than the operational and to guarantee that chip is powered down it should be less than Power Off Threshold.

All PINs are in high impedance state when the chip is powered down and while the POR sequence is taking place. The last step in the POR sequence releases the IO structures from the high impedance state, at which time the device is operational. The pin configuration at this point in time is defined by the design programmed into the chip. Also as it was mentioned before the voltage on PINs can't be bigger than the  $V_{DD}$ , this rule also applies to the case when the chip is powered on.

17.2 POR Sequence

The POR system generates a sequence of signals that enable certain macrocells. The sequence is shown in *Figure 77*.

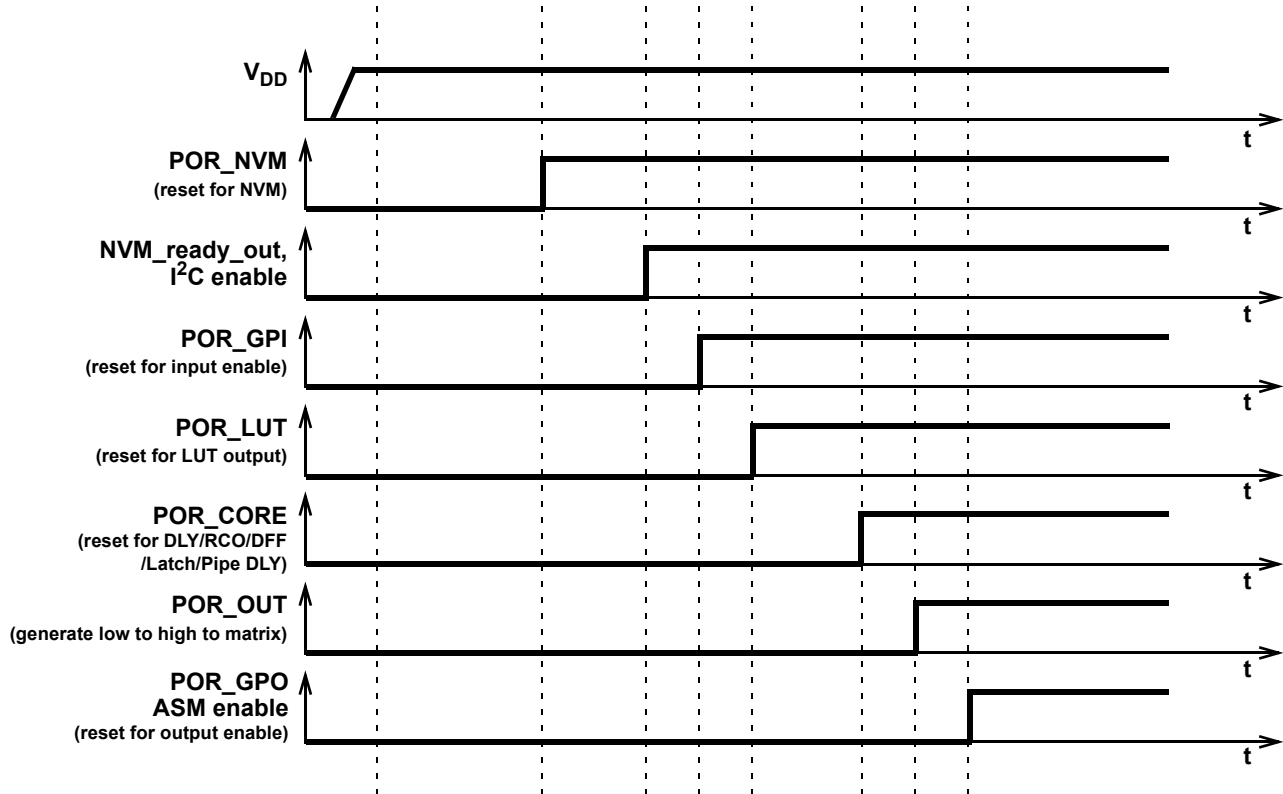


Figure 77. POR sequence

As can be seen from *Figure 77*, after the V<sub>DD</sub> has start ramping up and crosses the Power\_ON threshold, first, the on-chip NVM memory is reset. Next the chip reads the data from NVM, and transfers this information to SRAM registers that serve to configure each macrocell, and the Connection Matrix which routes signals between macrocells. The third stage causes the reset of the input pins, and then to enable them. After that, the LUTs are reset and become active. After LUTs the Delay cells, RC OSC, DFFs, Latches and Pipe Delay are initialized. Only after all macrocells are initialized internal POR signal (POR macrocell output) goes from LOW to HIGH. The last portion of the device to be initialized are the output PINs, which transition from high impedance to active at this point.

The typical time that takes to complete the POR sequence varies by device type in the GreenPAK family. It also depends on many environmental factors, such as: slew rate, V<sub>DD</sub> value, temperature and even will vary from chip to chip (process influence).

17.3 Macrocells Output States During POR Sequence

To have a full picture of SLG46537 operation during powering and POR sequence, review the overview the macrocell output states during the POR sequence (Figure 78. describes the output signals states).

First, before the NVM has been reset, all macrocells have their output set to logic LOW (except the output PINs which are in high impedance state). Before the NVM is ready, all macrocell outputs are unpredictable (except the output PINs). On the next step, some of the macrocells start initialization: input pins output state becomes LOW; LUTs also output LOW. Only P DLY macrocell configured as edge detector becomes active at this time. After that input PINs are enabled. Next, only LUTs are configured. Next, all other macrocells are initialized. After macrocells are initialized, internal POR matrix signal switches from LOW to HIGH. The last are output PINs that become active and determined by the input signals.

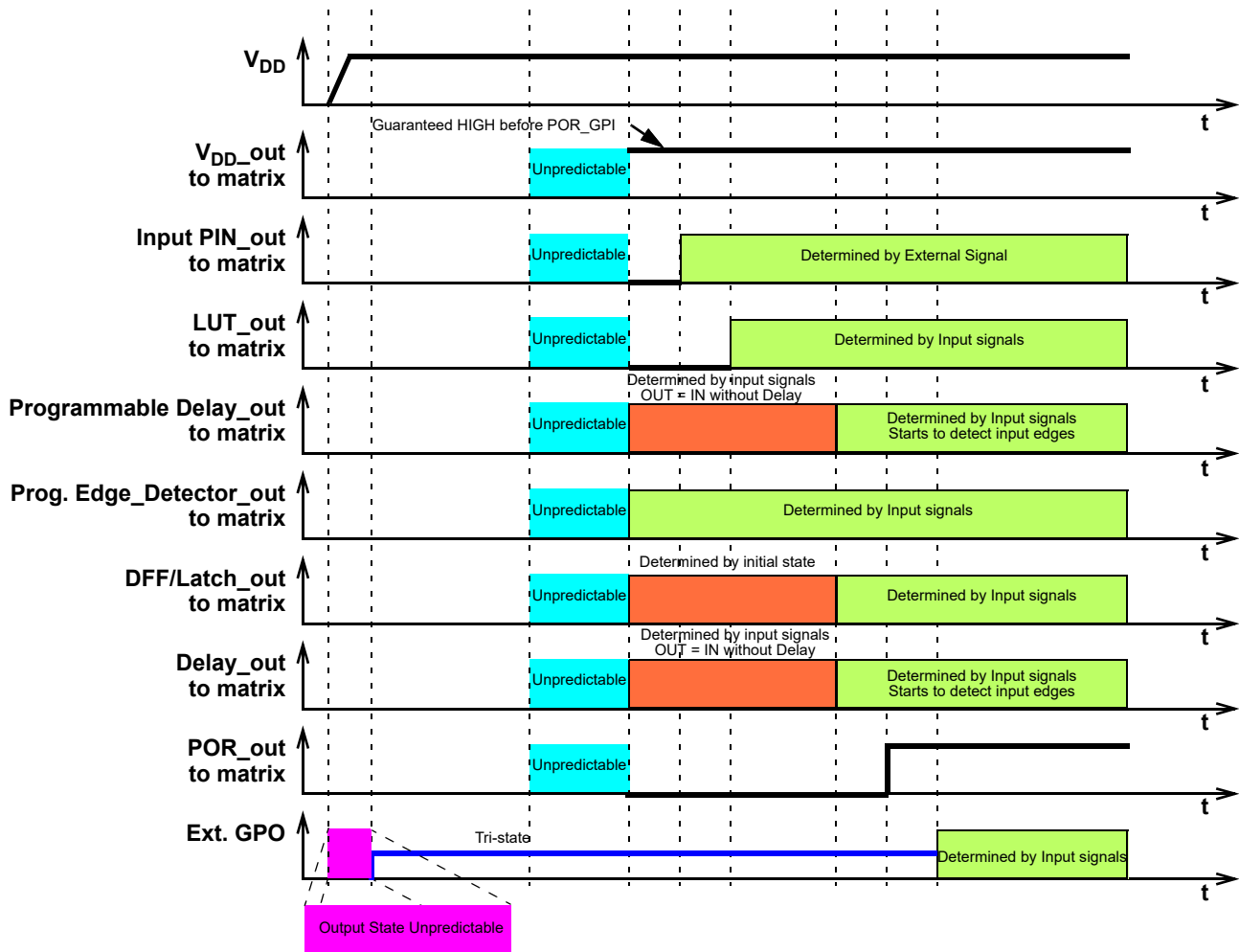


Figure 78. Internal Macrocell States during POR sequence

17.3.1 Initialization

All internal macrocells by default have initial LOW level. Starting from indicated power-up time of 1.15 V - 1.6 V, macrocells in GPAK are powered on while forced to the reset state. All outputs are in Hi-Z and chip starts loading data from NVM. Then the reset signal is released for internal macrocells and they start to initialize according to the following sequence:

1. I<sup>2</sup>C;
2. Input PINs, ACMP, pull up/down;
3. LUTs;
4. DFFs, Delays/Counters, Pipe Delay;
5. POR output to matrix;
6. Output PIN corresponds to the internal logic.

The VREF output pin driving signal can precede POR output signal going high by 3 μs - 5 μs. The POR signal going high indicates the mentioned power-up sequence is complete.

*Note: The maximum voltage applied to any PIN should not be higher than the V<sub>DD</sub> level. There are ESD Diodes between PIN → V<sub>DD</sub> and PIN → GND on each PIN. So if the input signal applied to PIN is higher than V<sub>DD</sub>, then current will sink through the diode to V<sub>DD</sub>. Exceeding V<sub>DD</sub> results in leakage current on the input PIN, and V<sub>DD</sub> will be pulled up, following the voltage on the input PIN. There is no effect from input pin when input voltage is applied at the same time as V<sub>DD</sub>.*

17.3.2 Power Down

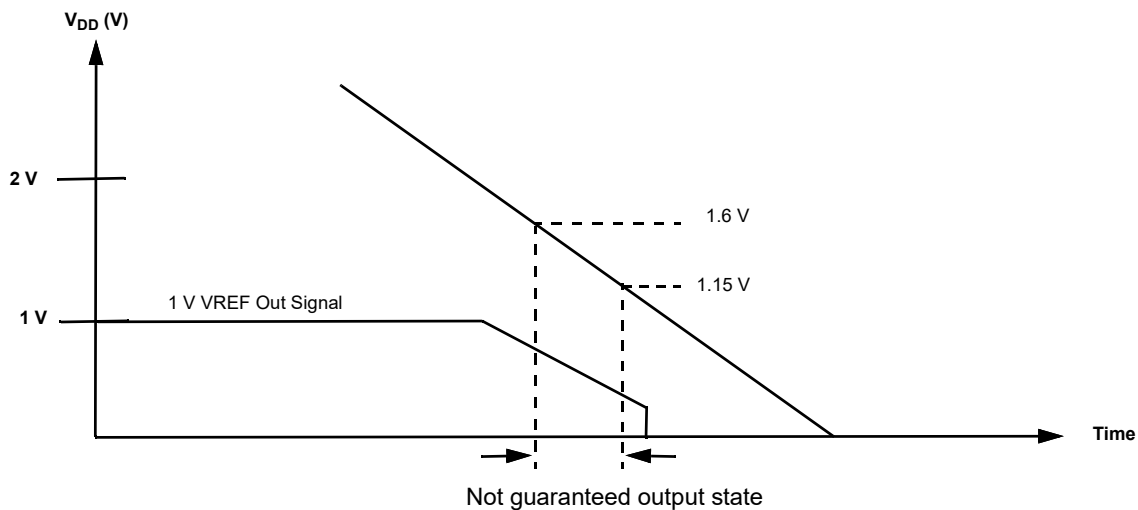


Figure 79. Power Down

During powerdown, macrocells in SLG46537 are powered off after V<sub>DD</sub> falling down below Power Off Threshold. Please note that during a slow rampdown, outputs can possibly switch state during this time.

18.0 Asynchronous State Machine (ASM) Macrocell

18.1 ASM Macrocell Overview

The Asynchronous State Machine (ASM) macrocell is designed to allow the user to create state machines with between 2 to 8 states. The user has flexibility to define the available states, the available state transitions, and the input signals (a, b, c ...) that will cause transitions from one state to another state, as shown in *Figure 80*.

This macrocell has a total of 25 inputs, as shown in *Figure 81*, which come from the Connection Matrix outputs. Of these 25 inputs, 24 are user selectable for driving general state transitions, and 1 is for driving a state transition to an Initial / Reset state. Each of the 24 inputs is level sensitive and active high, meaning that a high level input will drive the user selected transition from one state to another. The fact that there are 24 inputs puts the upper bound of 24 possible state transitions total in the user defined state machine design. There is an nReset input which will drive an immediate state transition to the user-defined Initial/Reset state when active, shown in red, in the *Figure 80*. For more details refer to section *18.2 ASM Inputs*.

There are a total of 8 outputs, which go to the Connections Matrix inputs, and from there can be routed to other internal macrocells or pins. The 8 outputs are user defined for each of the possible 8 states. This information is held in the Connection Matrix Output RAM. For more details refer to section *18.3 ASM Outputs*.

In using this macrocell, the user must take into consideration the critical timing required on all input and output signals. The timing waveforms and timing specifications for this macrocell are all measured relative to the input signals (which come into the macrocell on the Connection Matrix outputs) and on the outputs from the macrocell (which are direct connections to Connection Matrix inputs). The user must consider any delays from other logic and internal chip connections, including IO delays, to ensure that signals are properly processed, and state transitions are deterministic.

The GPAK Designer development tools support user designs for the ASM macrocell at both the physical level and logic level. *Figure 80* is a representation of the user design at the logical level, and *Figure 81* shows the physical resources inside the macrocell. To best utilize this macrocell, the user must develop a logical representation of their desired state machine, as well as a physical mapping of the input and outputs required for the desired functionality.

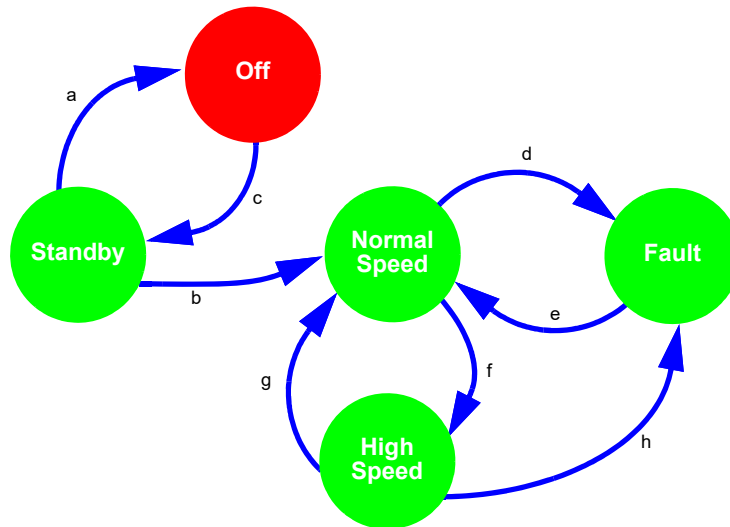


Figure 80. Asynchronous State Machine State Transitions

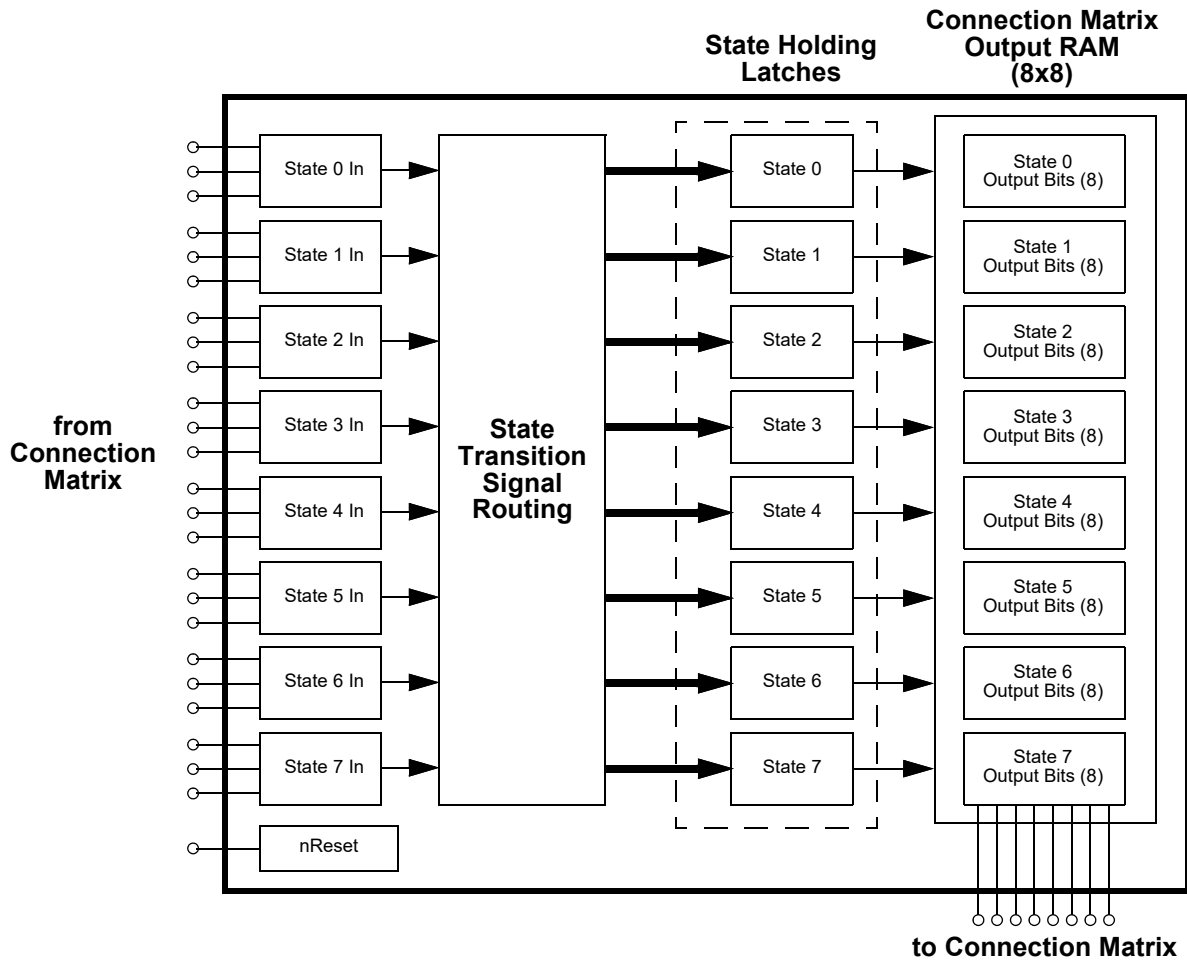


Figure 81. Asynchronous State Machine

18.2 ASM Inputs

The ASM macrocell has a total of 25 inputs which come from the Connection Matrix outputs. Of these 25 inputs, 24 are user selectable for driving general state transitions, and 1 is for driving a state transition to an Initial / Reset state.

There are a total of 24 inputs to the ASM macrocell for general state transitions, highlighted in red in *Figure 82*. Each of these inputs is level sensitive, and active high. A high level input will trigger a state transition.

These inputs are grouped so that each set of 3 inputs can drive a state transition **going into** a particular state. As an example, there are three inputs that can drive a state transition to State 1. This sets an upper bound on the number of transitions that the user can select going into a particular state to be 3, shown in *Figure 83*.

There is no limitation on the number of transitions that can be supported coming out of a particular state, the user can select to have transitions going from a state to all other states, shown in *Figure 84*.

The ASM macrocell also has a nReset input highlighted in blue in *Figure 82*. This input is level sensitive and active low. An active signal on this input will drive an immediate state transition to the user-defined Initial / Reset state. The user can choose which state within the ASM Editor inside GPAK Designer is the initial state.

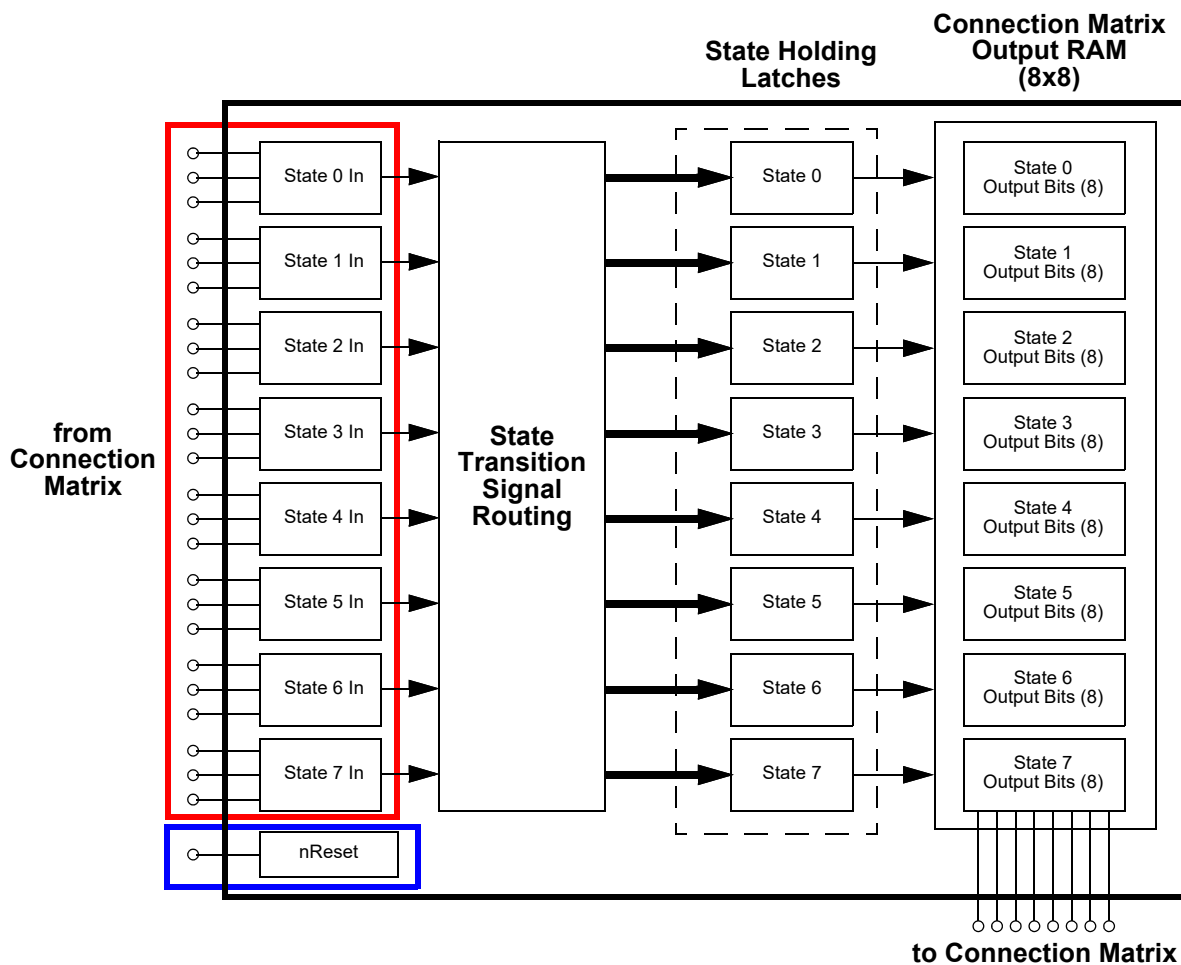


Figure 82. Asynchronous State Machine Inputs



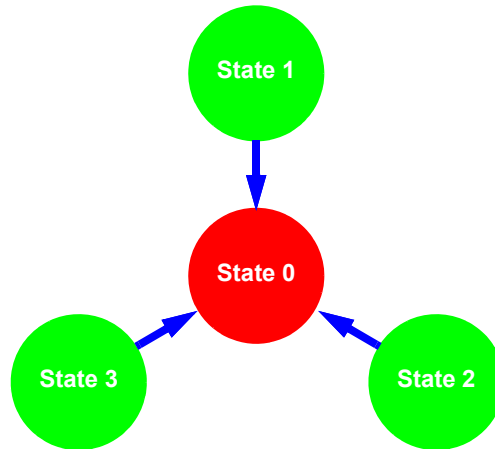


Figure 83. Maximum 3 State Transitions into Given State

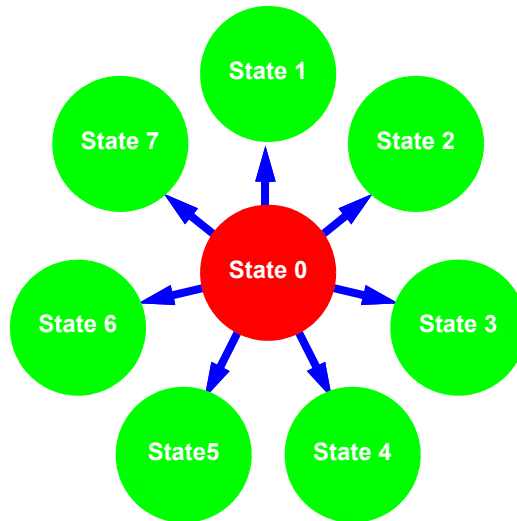


Figure 84. Maximum 7 State Transitions out of a Given State

18.3 ASM Outputs

There are a total of 8 outputs from the ASM macrocell, which go to the Connections Matrix inputs, and from there can be routed to other internal macrocells or pins. The 8 outputs are user defined for each of the possible 8 states, this information is held in the Connection Matrix Output RAM, shown in *Figure 85*. . The Connection Matrix Output RAM has a total of 64 bits, arranged as 8 bits per state. The values loaded in each of the 8 bits define the signal level on each of the 8 ASM macrocell outputs.

The ASM Editor inside the GPAK Designer software allows the user to make their selections for the value of each bit in the Connection Matrix Output RAM, which selects the level of the macrocell outputs based on the current state of the ASM macrocell, as shown in *Figure 85*. .

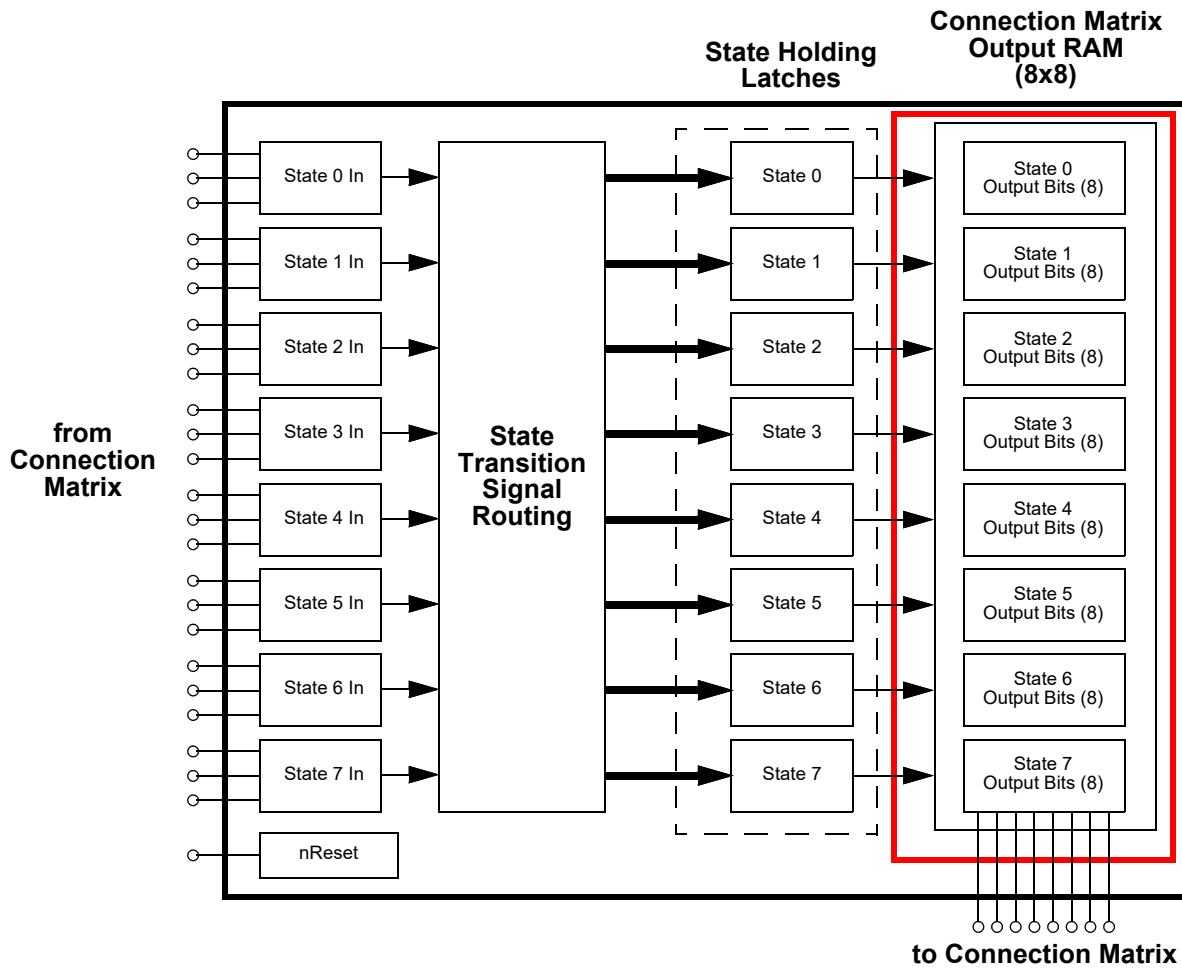


Figure 85. Connection Matrix Output RAM

Table 103. ASM Editor - Connection Matrix Output RAM

| RAM        |                              |      |      |      |      |      |      |      |
|------------|------------------------------|------|------|------|------|------|------|------|
| State name | Connection Matrix Output RAM |      |      |      |      |      |      |      |
|            | OUT7                         | OUT6 | OUT5 | OUT4 | OUT3 | OUT2 | OUT1 | OUT0 |
| State 0    | 0                            | 0    | 0    | 0    | 0    | 0    | 0    | 1    |
| State 1    | 0                            | 0    | 0    | 0    | 0    | 0    | 1    | 0    |
| State 2    | 0                            | 0    | 0    | 0    | 0    | 1    | 0    | 0    |
| State 3    | 0                            | 0    | 0    | 0    | 1    | 0    | 0    | 0    |
| State 4    | 0                            | 0    | 0    | 1    | 0    | 0    | 0    | 0    |
| State 5    | 0                            | 0    | 1    | 0    | 0    | 0    | 0    | 0    |
| State 6    | 0                            | 1    | 0    | 0    | 0    | 0    | 0    | 0    |
| State 7    | 1                            | 0    | 0    | 0    | 0    | 0    | 0    | 0    |

There is a possibility to configure ASM (it's settings and transitions) via I<sup>2</sup>C. Registers (reg<197:0>) correspond for ASM inputs, registers (reg<1727:1664>) correspond for ASM outputs configuration. Using I<sup>2</sup>C commands (see section 19.4 I2C Serial Communications Commands) it is possible to read ASM settings and connections, as well as change them. Additionally, user can change Connection Matrix Output RAM bit configuration (bytes 0xD0...0xD7)

*Note: After Connection Matrix Output RAM was updated via I<sup>2</sup>C, ASM outputs to Connection Matrix can be changed only after ASM changes its state or after reset event. To change ASM outputs to Connection Matrix instantly after I<sup>2</sup>C write command, ASM must be in reset all the time.*

18.4 Basic ASM Timing

The basic state transition timing from input on Matrix Connection output to output on Matrix Connection input is shown in *Figure 86.* and *Figure 87.* . The time from a valid input signal to the time that there is a valid change of state and valid signals being available on the state outputs is State Machine Output Delay Time ( $T_{st\_out\_delay}$ ). The minimum and maximum values of  $T_{st\_out\_delay}$  define the differential timing between the shortest state transition (input on matrix output and output on matrix input) and the longest state transition (input on matrix output and output on matrix input).

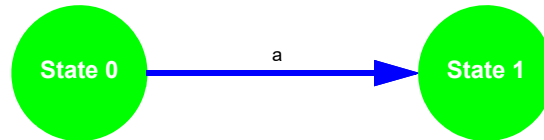


Figure 86. State Transition

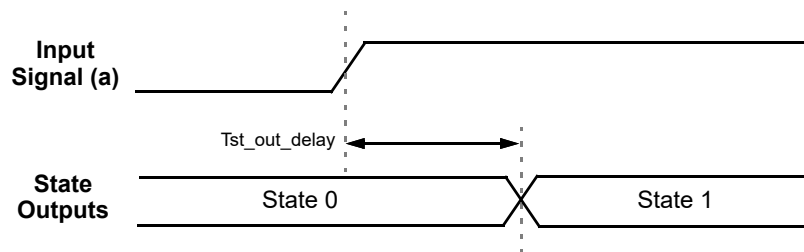


Figure 87. State Transition Timing

18.5 Asynchronous State Machines vs. Synchronous State Machines

It is important to note that this macrocell is designed for asynchronous operation, which means the following:

1. No clock source is needed, it reacts only to input signals.
2. The input signals do not have to be synchronized to each other, the macrocell will react to the earliest valid signal for state transition.
3. This macrocell does not have traditional set-up and hold time specifications which are related to incoming clock, as this macrocell has no clock source.
4. The macrocell only consumes power while in state transition.

18.6 ASM Power Considerations

A benefit of the asynchronous nature of this macrocell is that it will consume power only during state transitions. Shown in *Figure 86.* and *Figure 88.* below, the current consumption of the macrocell will be a fraction of a  $\mu A$  between state transitions, and will rise only during state transitions. See Section 5.7 *IDD Estimator* to find average current during state transitions.

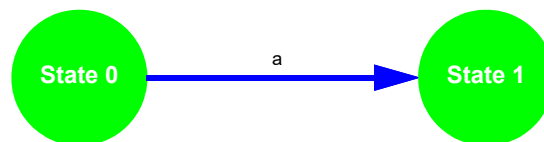


Figure 88. State Transition

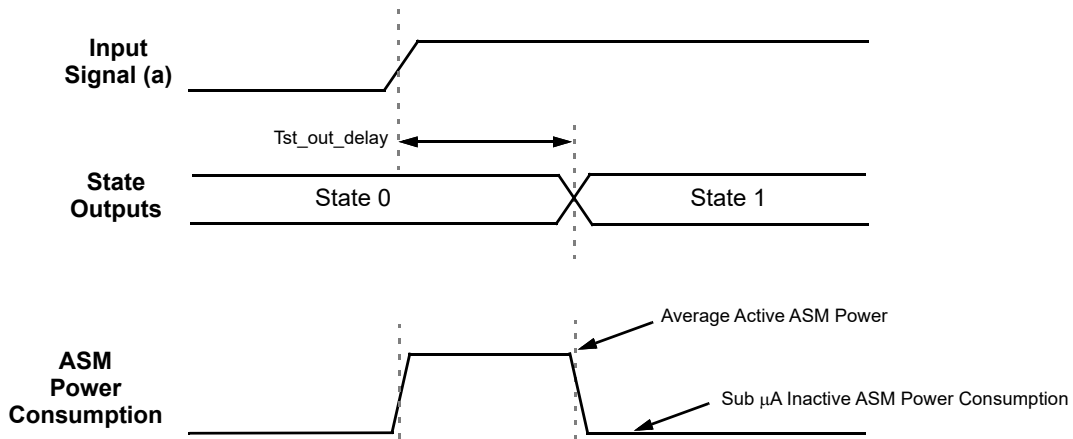


Figure 89. State Transition Timing and Power Consumption

18.7 ASM Logical vs. Physical Design

A successful design with the ASM macrocell must include both the logic level design as well as the physical level design. The GPAK Designer development software support user designs for the ASM macrocell at both the logic level and physical level. The logic level design of the user defined state machine takes place inside the ASM Editor. In the ASM Editor, the user can select and name states, define and name allowed state transitions, define the Initial / Reset state and define the output values for the 8 outputs in the Output RAM Matrix. The physical level design takes place in the general GPAK Designer window, and here the user makes connections for the sources for ASM input signals, as well as making connections for destinations for ASM output signals.

18.8 ASM Special Case Timing Considerations

18.8.1 State Transition Pulse Input Timing

All inputs to the ASM macrocell are level sensitive. If the input to the state machine macrocell for a state transition is a pulse, there is a minimum pulse width on the input to the state machine macrocell (as measured at the matrix input to the macrocell) which is guaranteed to result in a state transition shown in Figure 90. and Figure 91. . This pulse width is defined by the State Machine Input Pulse Acceptance Time (Tst\_pulse). If a pulse width that is shorter than Tst\_pulse is input to the state machine macrocell, it is indeterminate whether the state transition will happen or not. If a pulse that is rejected (invalid due to the pulse width being narrower than the guaranteed minimum of Tst\_pulse), this will not stop a valid pulse on another state transition input that does meet minimum pulse width.

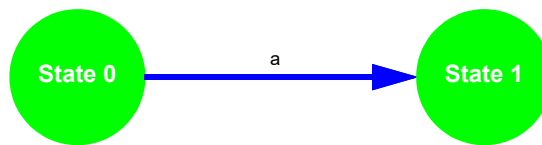


Figure 90. State Transition

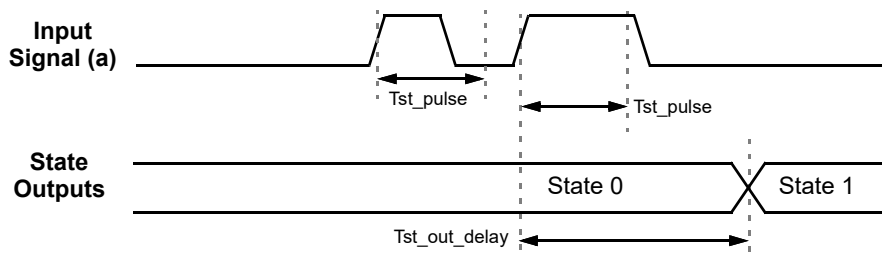


Figure 91. State Transition Pulse Input Timing

18.8.2 State Transition Competing Input Timing

There will be situations where two input signals can be valid inputs that will drive two different state transitions from a given state. In that sense, the two signals are “competing” (signals a and b in *Figure 92.* ), and the signal that arrives sooner should drive the state transition that will “win”, or drive the state transition. If one signal arrives  $T_{st\_comp}$  before the other one, it is guaranteed to win, and the state transition that it codes for will be taken, as shown in *Figure 93.* . If the two signals arrive within  $T_{st\_comp}$  of each other, it will be indeterminate which state transition will win, but one of the transitions will take place as long as the winning signal satisfies the pulse width criteria described in the paragraph above, as shown in *Figure 94.* .

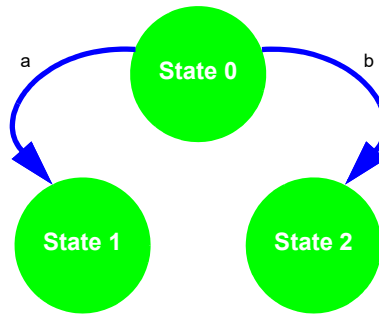


Figure 92. State Transition - Competing Inputs

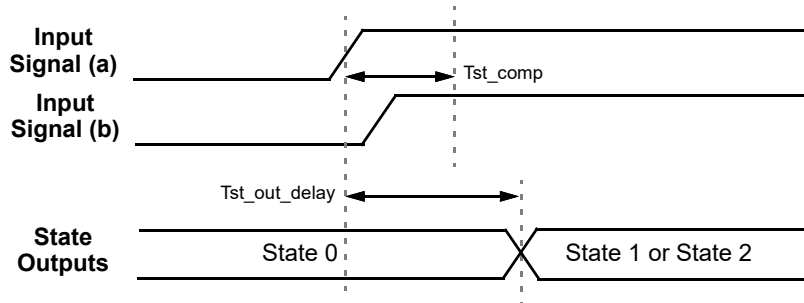


Figure 93. State Transition Timing - Competing Inputs Indeterminate

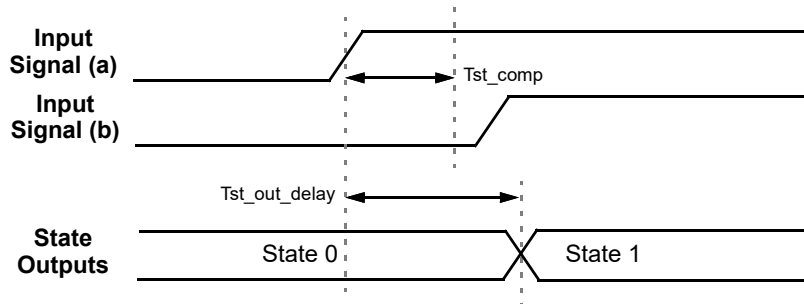


Figure 94. State Transition Timing - Competing Inputs Determinable

18.8.3 ASM State Transition Sequential Timing

It is possible to have a valid input signal for a transition out from a particular state be active before the state is active. If this is the case, the macrocell will only stay in that particular state for *Tst\_out\_delay* time before making the transition to the next state. An example of this sequential behavior is shown in *Figure 95*. and the associated timing is shown in *Figure 96*.

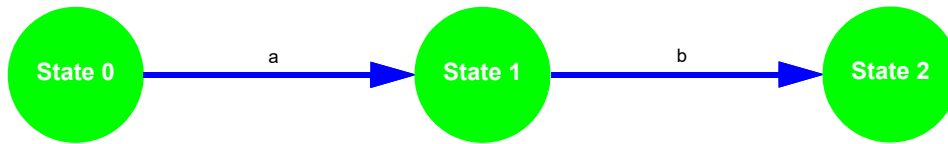


Figure 95. State Transition - Sequential

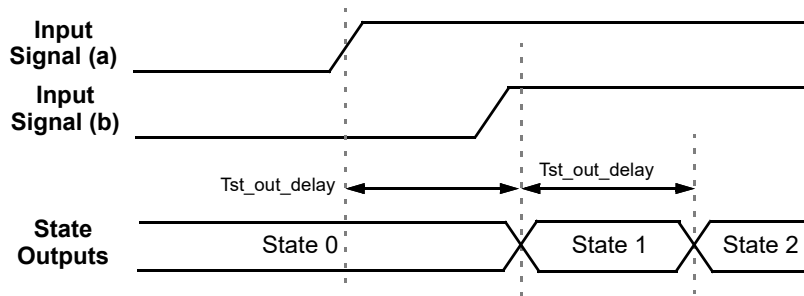


Figure 96. State Transition - Sequential Timing

18.8.4 State Transition Closed Cycling

It is possible to have a closed cycle of state transitions that will run continuously if there are valid inputs that are active at the same time. The rate at which the state transitions will take place is determined by *Tst\_out\_delay*. The example shown here in *Figure 97*. involves cycling between two states, but any number of two – eight states can be included in state transition closed cycling of this nature. *Figure 98*. shows the associated timing for closed cycling.

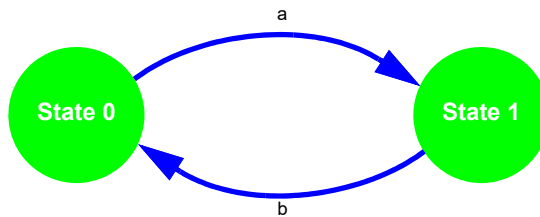


Figure 97. State Transition - Closed Cycling

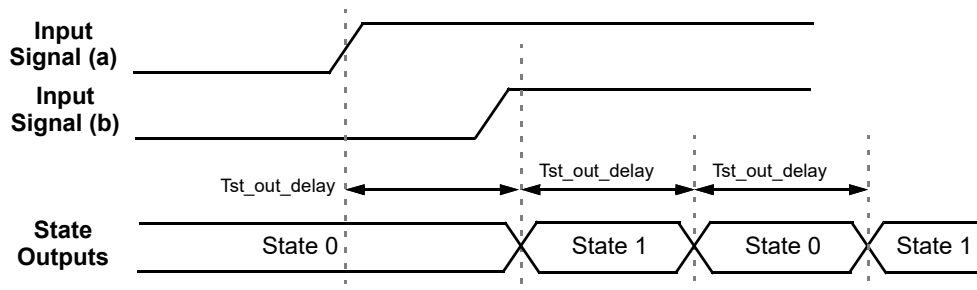


Figure 98. State Transition - Closed Cycling Timing

## 19.0 I<sup>2</sup>C Serial Communications Macrocell

### 19.1 I<sup>2</sup>C Serial Communications Macrocell Overview

In the standard use case for the GreenPAK devices, the configuration choices made by the user are stored as bit settings in the Non-Volatile Memory (NVM), and this information is transferred at startup time to volatile RAM registers that enable the configuration of the macrocells. Other RAM registers in the device are responsible for setting the connections in the Connection Matrix to route signals in the manner most appropriate for the user’s application.

The I<sup>2</sup>C Serial Communications Macrocell in this device allows an I<sup>2</sup>C bus Master to read and write this information via a serial channel directly to the RAM registers, allowing the remote re-configuration of macrocells, and remote changes to signal chains within the device.

An I<sup>2</sup>C bus Master is also able read and write other I<sup>2</sup>C register bits that are not associated with NVM memory. As an example, the input lines to the Connection Matrix can be read as digital register bits. These are the signal outputs of each of the macrocells in the device, giving an I<sup>2</sup>C bus Master the capability to remotely read the current value of any macrocell.

The user has the flexibility to control read access and write access via registers bits reg<1832>, reg<1870>, and reg<1871>. See section 19.5 I<sup>2</sup>C Serial Command Register Protection for more details on I<sup>2</sup>C read/write memory protection.

*Note: GreenPAK I<sup>2</sup>C is fully compatible with standard I<sup>2</sup>C protocol.*

### 19.2 I<sup>2</sup>C Serial Communications Device Addressing

Each command to the I<sup>2</sup>C Serial Communications macrocell begins with a Control Byte. The bits inside this Control Byte are shown in Figure 99. After the Start bit, the first four bits are a control code, which can be set by the user in reg<1867:1864>. This gives the user flexibility on the chip level addressing of this device and other devices on the same I<sup>2</sup>C bus. The Block Address is the next three bits (A10,A9, A8), which will define the most significant bits in the addressing of the data to be read or written by the command. The last bit in the Control Byte is the R/W bit, which selects whether a read command or write command is requested, with a “1” selecting for a Read command, and a “0” selecting for a Write command. This Control Byte will be followed by an Acknowledge bit (ACK), which is sent by this device to indicate successful communication of the Control Byte data.

In the I<sup>2</sup>C-bus specification and user manual, there are two groups of eight addresses (0000 xxx and 1111 xxx) that are reserved for the special functions, such as a system General Call address. If the user of this device chooses to set the Control Code to either “1111” or “0000” in a system with other slave device, please consult the I<sup>2</sup>C-bus specification and user manual to understand the addressing and implementation of these special functions, to ensure reliable operation.

In the read and write command address structure, there are a total of 11 bits of addressing, each pointing to a unique byte of information, resulting in a total address space of 2K bytes. Of this 2K byte address space, the valid addresses accessible to the I<sup>2</sup>C Macrocell on the SLG46537 are in the range from 0 (0x00) to 255 (0xFF). The MSB address bits (A10, A9 and A8) will be “0” for all commands to the SLG46537.

With the exception of the Current Address Read command, all commands will have the Control Byte followed by the Word Address. Figure 99. shows this basic command structure.

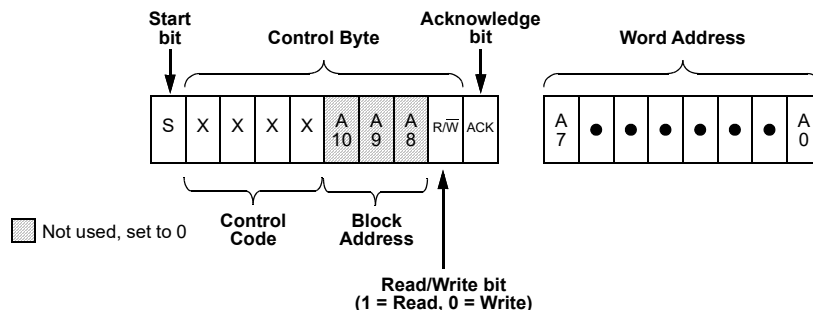


Figure 99. Basic Command Structure



19.3 I<sup>2</sup>C Serial General Timing

General timing characteristics for the I<sup>2</sup>C Serial Communications macrocell are shown in Figure 100. . Timing specifications can be found in the AC Characteristics section.

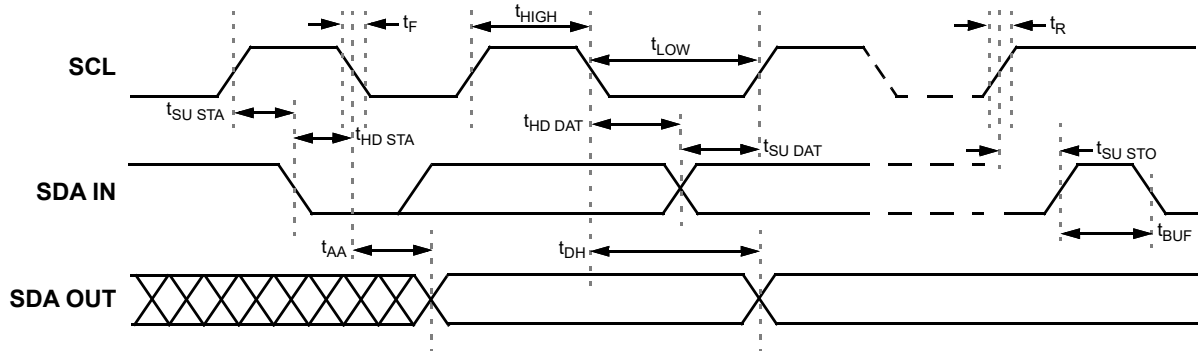


Figure 100. I<sup>2</sup>C General Timing Characteristics

19.4 I<sup>2</sup>C Serial Communications Commands

19.4.1 Byte Write Command

Following the Start condition from the Master, the Control Code [4 bits], the Block Address [3 bits] and the R/W bit (set to “0”), are placed onto the I<sup>2</sup>C bus by the Master. After the SLG46537 sends an Acknowledge bit (ACK), the next byte transmitted by the Master is the Word Address. The Block Address (A10, A9, A8), combined with the Word Address (A7 through A0), together set the internal address pointer in the SLG46537 where the data byte is to be written. After the SLG46537 sends another Acknowledge bit, the Master will transmit the data byte to be written into the addressed memory location. The SLG46537 again provides an Acknowledge bit and then the Master generates a Stop condition. The internal write cycle for the data will take place at the time that the SLG46537 generates the Acknowledge bit.

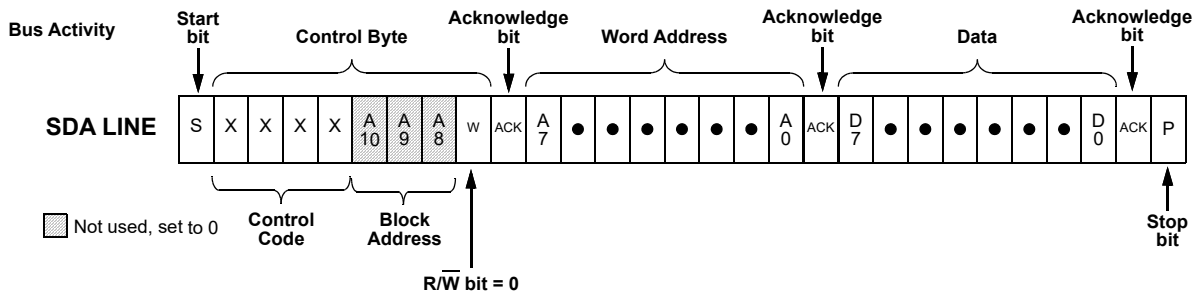


Figure 101. Byte Write Command, R/W = 0

19.4.2 Sequential Write Command

The write Control Byte, Word Address and the first data byte are transmitted to the SLG46537 in the same way as in a Byte Write command. However, instead of generating a Stop condition, the Master continues to transmit data bytes to the SLG46537. Each subsequent data byte will increment the internal address counter, and will be written into the next higher byte in the command addressing. As in the case of the Byte Write command, the internal write cycle will take place at the time that the SLG46537 generates the Acknowledge bit.

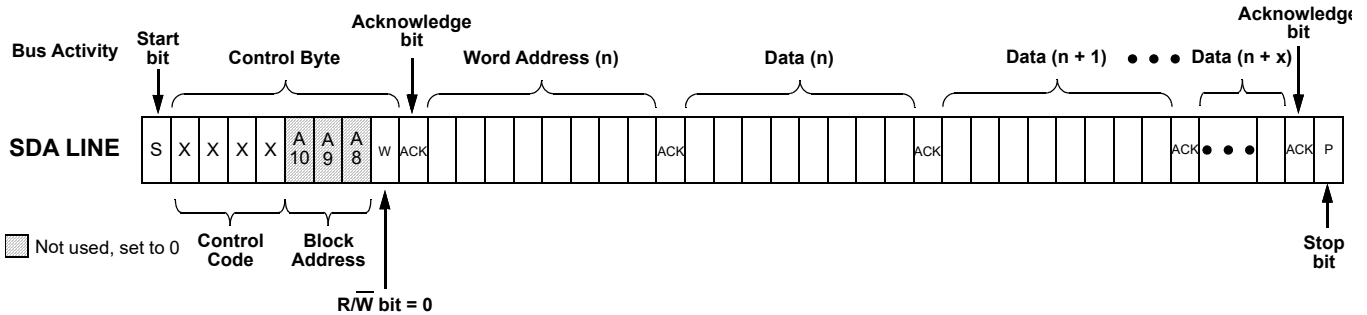


Figure 102. Sequential Write Command,  $\overline{R/W} = 0$

19.4.3 Current Address Read Command

The Current Address Read Command reads from the current pointer address location. The address pointer is incremented at the first STOP bit following any write control byte. For example, if a Write or Random Read (which contains a write control byte) writes or reads data up to address n, the address pointer would get incremented to n+1 upon the STOP of that command. Subsequently, a Current Address Read that follows would start reading data at n+1. The Current Address Read Command contains the Control Byte sent by the Master, with the R/W bit = "1". The SLG46537 will issue an Acknowledge bit, and then transmit eight data bits for the requested byte. The Master will not issue an Acknowledge bit, and follow immediately with a Stop condition.

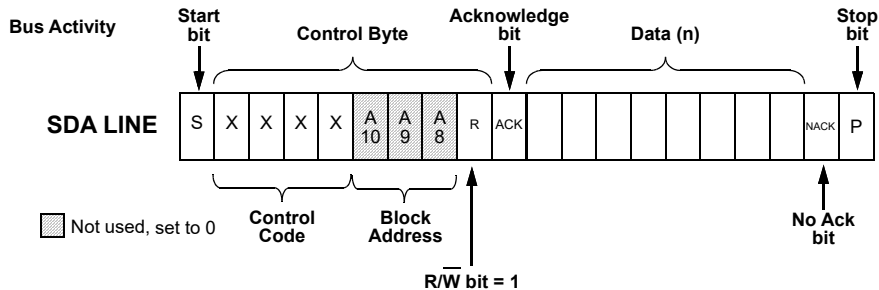


Figure 103. Current Address Read Command,  $\overline{R/W} = 1$



19.4.6 I<sup>2</sup>C Serial Command Address Space

In the read and write command address structure, there are a total of 11 bits of addressing, each pointing to a unique byte of information, resulting in a total address space of 2K bytes. Of this 2K byte address space, the valid addresses accessible to the I<sup>2</sup>C Macrocell on the SLG46537 are in the range from 0 (0x00) to 255 (0xFF). The MSB address bits (A10, A9 and A8) will be “0” for all commands to the SLG46537.

19.4.6.1 I<sup>2</sup>C Serial Command Register Map

These register addresses are broken down into four Banks to give the user greater control on access to reading and writing information in each bank. Each of the four banks is 512 bits (64 bytes) in length. Writing information to register bits in these Banks will change the configuration of the device, resulting in either a change in the interconnection options provided by the Connection Matrix, or by changing the configuration of individual macrocells. During device use, all register bits can be read or written via I<sup>2</sup>C, unless protection bits are set to prevent this.

See Section 22.0 Appendix A - SLG46537 Register Definition for detailed information on all register bits

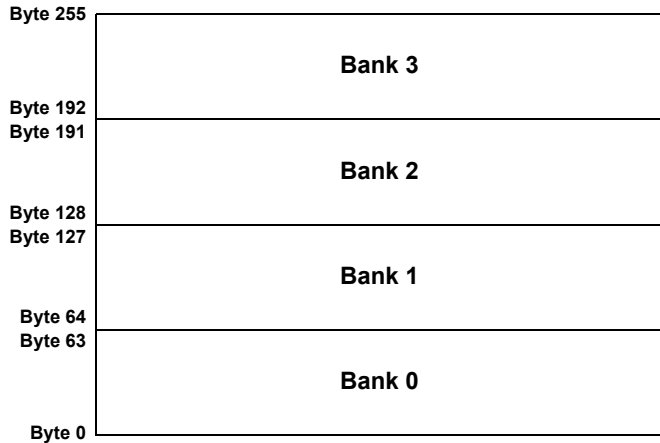


Figure 106. Register Bank Map

19.5 I<sup>2</sup>C Serial Command Register Protection

The memory space is divided into four banks, each of which has 512bits (64bytes). There are three bits that allow the user to define rules for reading and writing bits in each of these banks via I<sup>2</sup>C:

- reg<1832> I<sup>2</sup>C lock for read bits <1535:0> (Bank 0/1/2). If the system provides any read commands to the addresses in these three banks, the device will respond with 'FFH' in data field.
- reg<1871> I<sup>2</sup>C lock for write bits <1535:0> (Bank 0/1/2). If the system provides any write commands to the addresses in these three banks, the device will acknowledge these commands, but will not do internal writes to the register space.
- reg<1870> I<sup>2</sup>C lock for write all bits (Bank 0/1/2/3). If the system provides any write commands to the addresses in these four banks, the device will acknowledge these commands, but will not do internal writes to the register space.

Note 1. reg<1870> is higher priority than reg<1871>, and if reg<1870> is set, than reg<1871> does not have any effect.

Note 2. If the user sets IOs 6 and 7 function to a selection other than SDA and SCL, all access via I<sup>2</sup>C will be disabled.

If reg <1870> is not set, register bits in Bank 3 are open to read and write commands via I<sup>2</sup>C with the following exceptions:

- reg<1871> Bank 0/1/2 I<sup>2</sup>C-write protection bit is always protected from I<sup>2</sup>C write
- reg<1867:1864> I<sup>2</sup>C Control Code Bit [3:0] is always protected from I<sup>2</sup>C write

Note 4. Any write commands that come to the device via I<sup>2</sup>C that are not blocked, based on the protection bits, will change the contents of the RAM register bits that mirror the NVM bits. These write commands will not change the NVM bits themselves, and a POR event will restore the register bits to original programmed contents of the NVM.

See Section 22.0 Appendix A - SLG46537 Register Definition for detailed information on all registers.

19.5.1 Register Read/Write Protection

There are six read/write protect modes for the design sequence from being corrupted or copied. See Table 104 for details..

Table 104. Read/Write Protection Options

| Bank | Byte    | Bits            | Description  | Lock Status                      |                                  |                                  |                                  |   |  |
|------|---------|-----------------|--|----------------------------------|----------------------------------|----------------------------------|----------------------------------|---|--|
|      |         |                 |  | Unlocked                         | Locked for read bits <1535:0>    | Locked for write bits <1535:0>   | Locked for write all bits        | Locked for read and write bits <1535:0> | Locked for read bits <1535:0> and write all bits |
|      |         |                 |  | reg <1832>=0, <1871>=0, <1870>=0 | reg <1832>=1, <1871>=0, <1870>=0 | reg <1832>=0, <1871>=1, <1870>=0 | reg <1832>=0, <1871>=x, <1870>=1 | reg <1832>=1, <1871>=1, <1870>=0        | reg <1832>=1, <1871>=x, <1870>=1                 |
| 0    | 0-63    | 511-0           | Connection Matrix Outputs Configuration  | R/W                              | W                                | R                                | R                                | -                                       | -  |
|      | 64-109  | 879-512         |  | R/W                              | W                                | R                                | R                                | -                                       | -  |
| 1    | 110-127 | 880-1023        | Reserved   | -                                | -                                | -                                | -                                | -                                       | -  |
| 2    | 128-186 | 1495-1024       | Function Configuration for PINs, LUTs/DFFs, OSC, ASM and some configuration for DLYs, ACMP | R/W                              | W                                | R                                | R                                | -                                       | -  |
|      | 187-191 | 1535-1496       | Reserved   | -                                | -                                | -                                | -                                | -                                       | -  |
| 3    | 192-206 | 1655-1536       | CNT/DLY counter data and some LUTs truth table, ACMP Vref                                  | R/W                              | R/W                              | R/W                              | R                                | R/W                                     | R  |
|      | 207     | 1662            | I <sup>2</sup> C reset bit with reloading NVM into Data register                           | R/W                              | R/W                              | R/W                              | R                                | R/W                                     | R  |
|      |         | 1661-1659, 1663 | Reserved   | R                                | R                                | R                                | R                                | R                                       | R  |
|      |         | 1658-1656       | OSC Power Control  | R/W                              | R/W                              | R/W                              | R                                | R/W                                     | R  |

**Table 104. Read/Write Protection Options**

| Bank    | Byte      | Bits  | Description   | Lock Status                      |                                  |                                  |                                  |   |  |
|---------|-----------|---|---|----------------------------------|----------------------------------|----------------------------------|----------------------------------|---|--|
|         |           |   |   | Unlocked                         | Locked for read bits <1535:0>    | Locked for write bits <1535:0>   | Locked for write all bits        | Locked for read and write bits <1535:0> | Locked for read bits <1535:0> and write all bits |
|         |           |   |   | reg <1832>=0, <1871>=0, <1870>=0 | reg <1832>=1, <1871>=0, <1870>=0 | reg <1832>=0, <1871>=1, <1870>=0 | reg <1832>=0, <1871>=x, <1870>=1 | reg <1832>=1, <1871>=1, <1870>=0        | reg <1832>=1, <1871>=x, <1870>=1                 |
| 3       | 208-223   | 1791-1664   | ASM output RAM and User configurable RAM / OTP      | R/W                              | R/W                              | R/W                              | R                                | R/W                                     | R  |
|         | 224-227   | 1823-1792   | Reserved  | -                                | -                                | -                                | -                                | -                                       | -  |
|         | 228       | 1831-1824   | Reserved  | R/W                              | R/W                              | R/W                              | R                                | R/W                                     | R  |
|         | 229       | 1839-1836   | Product Family ID                                   | R                                | R                                | R                                | R                                | R                                       | R  |
|         |           | 1835-1834   | Reserved  | -                                | -                                | -                                | -                                | -                                       | -  |
|         |           | 1833  | Reserved  | R                                | R                                | R                                | R                                | R                                       | R  |
|         |           | 1832  | I <sup>2</sup> C Lock for read bits<1535:0>         | R                                | R                                | R                                | R                                | R                                       | R  |
|         | 230       | 1847-1840   | Pattern ID  | R/W                              | R/W                              | R/W                              | R                                | R/W                                     | R  |
|         | 231       | 1855-1848   | Reserved  | R                                | R                                | R                                | R                                | R                                       | R  |
|         | 232       | 1863-1856   | Reserved  | R                                | R                                | R                                | R                                | R                                       | R  |
|         | 233       | 1871  | I <sup>2</sup> C Lock for write bits<1535:0>        | R                                | R                                | R                                | R                                | R                                       | R  |
|         |           | 1870  | I <sup>2</sup> C Lock for write all bits            | R                                | R                                | R                                | R                                | R                                       | R  |
|         |           | 1869-1868   | Reserved  | -                                | -                                | -                                | -                                | -                                       | -  |
|         |           | 1867-1864   | I <sup>2</sup> C Control Code                       | R                                | R                                | R                                | R                                | R                                       | R  |
|         | 234-239   | 1919-1872   | Counter Current Value                               | R                                | R                                | R                                | R                                | R                                       | R  |
|         | 240-243   | 1951-1920   | Macrocells Output Values (Connection Matrix Inputs) | R                                | R                                | R                                | R                                | R                                       | R  |
|         | 244       | 1959-1952   | Connection Matrix Virtual Inputs                    | R/W                              | R/W                              | R/W                              | R                                | R/W                                     | R  |
| 245-247 | 1983-1960 | Macrocells Output Values (Connection Matrix Inputs) | R   | R                                | R                                | R                                | R                                | R                                       |  |
| 248-250 | 2007-1984 | Reserved  | R   | R                                | R                                | R                                | R                                | R                                       |  |

Table 104. Read/Write Protection Options

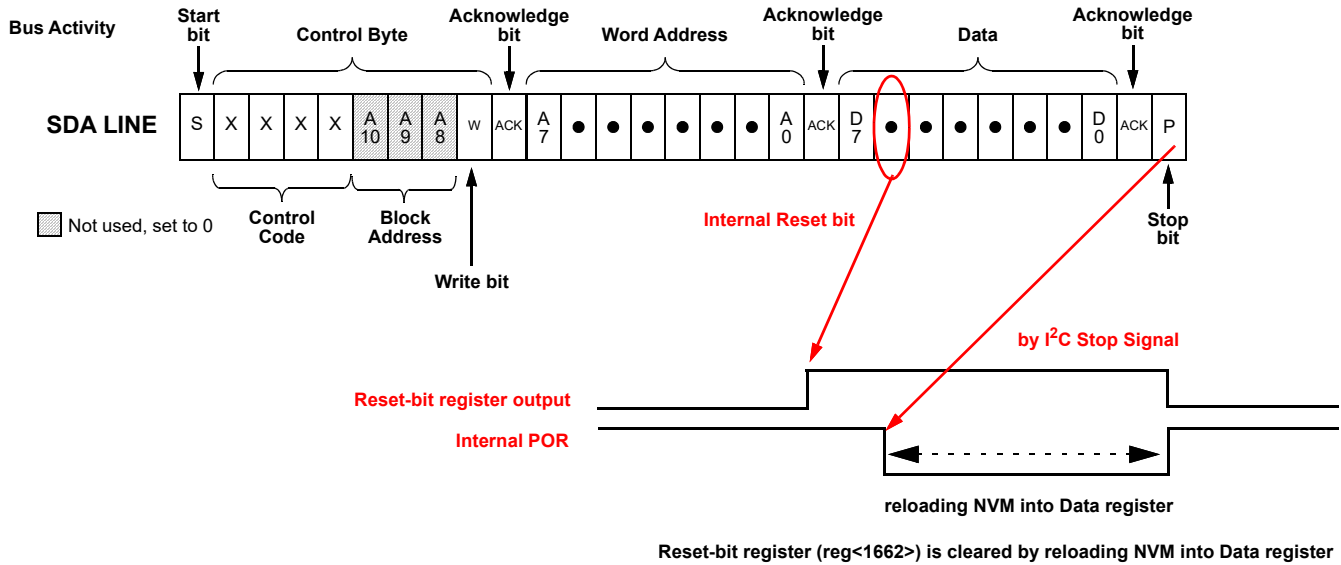
| Bank | Byte    | Bits      | Description | Lock Status                      |                                  |                                  |                                  |   |  |
|------|---------|-----------|-------------|----------------------------------|----------------------------------|----------------------------------|----------------------------------|---|--|
|      |         |           |             | Unlocked                         | Locked for read bits <1535:0>    | Locked for write bits <1535:0>   | Locked for write all bits        | Locked for read and write bits <1535:0> | Locked for read bits <1535:0> and write all bits |
|      |         |           |             | reg <1832>=0, <1871>=0, <1870>=0 | reg <1832>=1, <1871>=0, <1870>=0 | reg <1832>=0, <1871>=1, <1870>=0 | reg <1832>=0, <1871>=x, <1870>=1 | reg <1832>=1, <1871>=1, <1870>=0        | reg <1832>=1, <1871>=x, <1870>=1                 |
| 3    | 251     | 2015-2008 | Reserved    | R/W                              | R/W                              | R/W                              | R                                | R/W                                     | R  |
|      | 252-253 | 2031-2016 | Reserved    | R                                | R                                | R                                | R                                | R                                       | R  |
|      | 254     | 2039-2032 | Reserved    | R/W                              | R/W                              | R/W                              | R                                | R/W                                     | R  |
|      | 255     | 2047-2040 | Reserved    | R/W                              | R/W                              | R/W                              | R                                | R/W                                     | R  |

|     |  |
|-----|--|
| R/W | Allow Read and Write Data                |
| W   | Allow Write Data Only                    |
| R   | Allow Read Data Only                     |
| -   | The Data is protected for Read and Write |

19.5.1.1 I<sup>2</sup>C Serial Reset Command

If I<sup>2</sup>C serial communication is established with the device, it is possible to reset the device to initial power up conditions, including configuration of all macrocells, and all connections provided by the Connection Matrix. This is implemented by setting reg<1662> I<sup>2</sup>C reset bit to “1”, which causes the device to re-enable the Power On Reset (POR) sequence, including the reload of all register data from NVM. During the POR sequence, the outputs of the device will be in tri-state. After the reset has taken place, the contents of reg<1662> will be set to “0” automatically. The timing diagram shown below illustrates the sequence of events for this reset function.

Note: I<sup>2</sup>C Serial Reset Command is not available during emulation.



- 1) I<sup>2</sup>C write with reg<1662>=1 (I<sup>2</sup>C reset bit with reloading NVM into Data register)
- 2) POR go to LOW and reloading NVM into Data register start after “STOP” of I<sup>2</sup>C
- 3) POR go to HIGH after reloading NVM into Data register

Figure 107. Reset Command Timing

19.5.1.2 Reading Counter Data via I<sup>2</sup>C

The current count value in four counters in the device can be read via I<sup>2</sup>C. The counters that have this additional functionality are 16-bit CNT0 and CNT1, and 8-bit counters CNT4 and CNT6.

19.5.1.3 User RAM and OTP Memory Array

There are eight bytes of RAM memory that can be read and written remotely by I<sup>2</sup>C commands. The initial contents of this memory space can be selected by the user, and this information will be transferred from OTP memory to the RAM memory space during the power-up sequence. The lowest order byte in this array (User Configurable RAM/OTP Byte 0) is located at I<sup>2</sup>C address 0xD8, and the highest order byte in this array is located at I<sup>2</sup>C address 0xDF.

Table 105. RAM Array Table

| I <sup>2</sup> C Address (hex) | Highest Bit Address | Lowest Bit Address | Memory Byte                      |
|--------------------------------|---------------------|--------------------|----------------------------------|
| D8                             | 1735                | 1728               | User Configurable RAM/OTP Byte 0 |
| D9                             | 1743                | 1736               | User Configurable RAM/OTP Byte 1 |
| DA                             | 1751                | 1744               | User Configurable RAM/OTP Byte 2 |
| DB                             | 1759                | 1752               | User Configurable RAM/OTP Byte 3 |
| DC                             | 1767                | 1760               | User Configurable RAM/OTP Byte 4 |
| DD                             | 1775                | 1768               | User Configurable RAM/OTP Byte 5 |
| DE                             | 1783                | 1776               | User Configurable RAM/OTP Byte 6 |
| DF                             | 1791                | 1784               | User Configurable RAM/OTP Byte 7 |



20.0 Analog Temperature Sensor

The SLG46537 has an Analog Temperature sensor (TS) with an output voltage linearly-proportional to the Centigrade temperature. The TS is rated to operate over a -40°C to 180°C temperature range. The error in the whole temperature range does not exceed ±10.3% (±5.7% in a range from -40°C to 100°C). TS output voltage variation over  $V_{DD}$  at constant temperature is less than ±10.3%. For more detail refer to section 5.14 *Analog Temperature Sensor (TS) Specifications*.

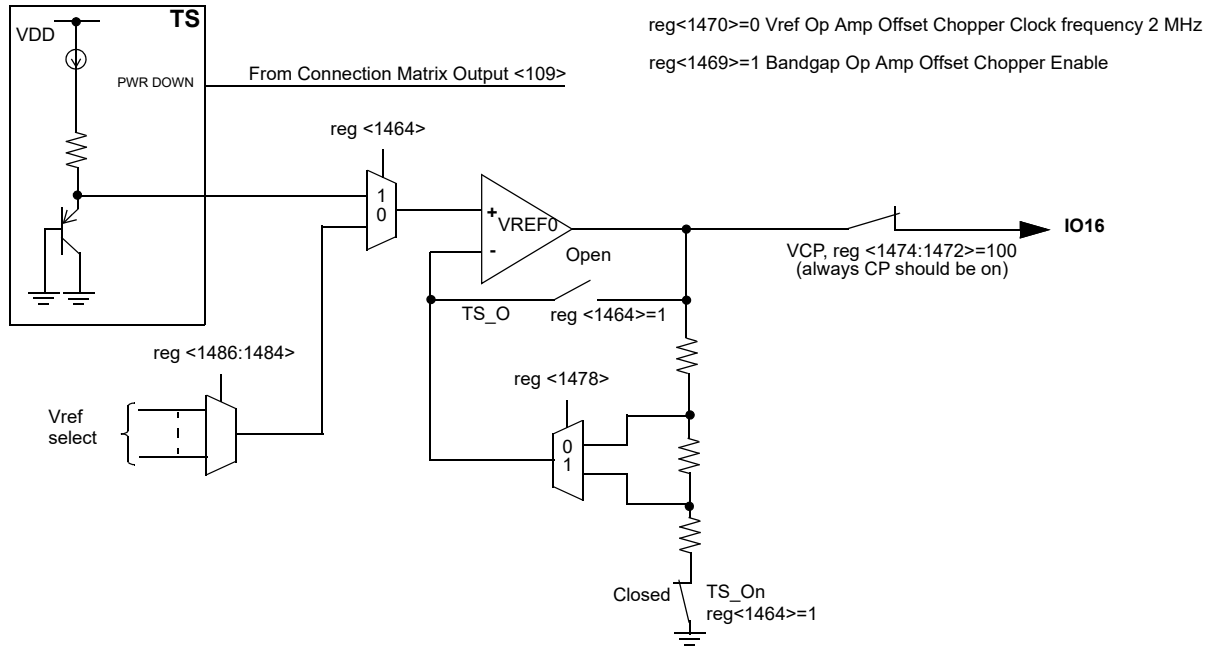


Figure 108. Analog Temperature Sensor Structure Diagram

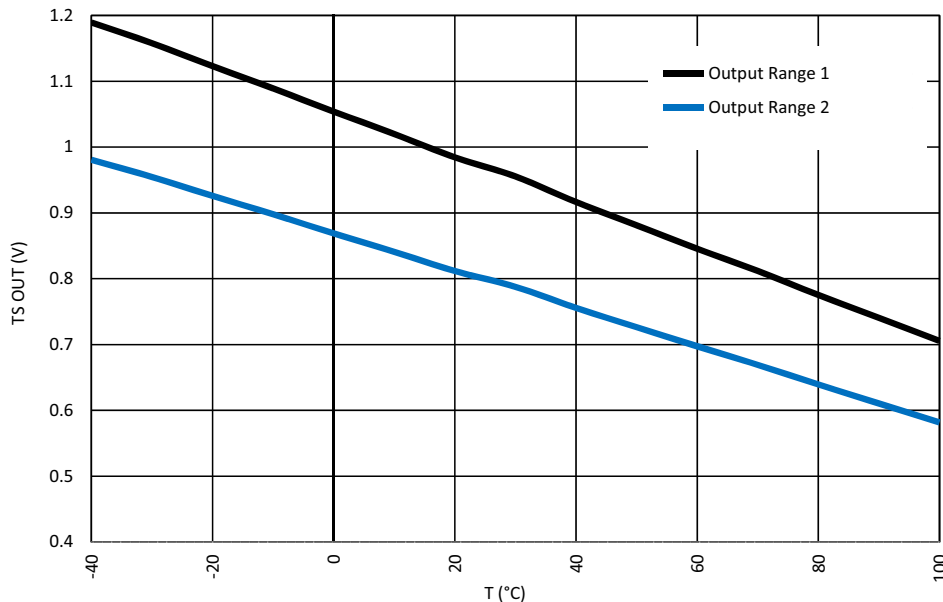


Figure 109. TS Output vs. Temperature,  $V_{DD} = (1.71...5.5) V$

**Table 106. TS Register Settings**

| Signal Function   | Register Bit Address | Register Definition  |
|---|----------------------|--|
| Enable temp. sensor   | reg<1464>            | 0: Disable<br>1: Enable  |
| CP function selection & Power divider ( $V_{DD}/3$ , $V_{DD}/4$ ) ON/OFF (must be set to Auto ON/OFF when using TS) | reg<1474:1472>       | 100: CP Auto ON/OFF (Use for $1.71V < V_{DD} < 5.5V$ ),<br>X10: CP always OFF (Use for $2.7V < V_{DD}$ ),<br>XX1: CP always ON (Use for $V_{DD} < 2.7V$ )<br>0XX: Power divider off (if there is no use of $V_{DD}/3$ , $V_{DD}/4$ @ ACMP negative in) |
| Force Bandgap ON (must be enabled when using TS)  | reg<1476>            | 0: Auto-Mode<br>1: Enable (if chip is Power Down, the Bandgap will Power Down even if it is Set to 1)  |
| Temp output range control   | reg<1478>            | 0: 0.62V ~ 0.99V (TYP)<br>1: 0.75V ~ 1.2V (TYP)  |

## 21.0 External Clocking

The SLG46537 supports several ways to use an external, higher accuracy clock as a reference source for internal operations.

### 21.1 Crystal Mode

When reg<1136> is set to 1, an external crystal can be connected to IOs 13 and 14 for supplying an accurate clock source. See section 16.0 *Crystal Oscillator*. An external clocking signal on IO14 can be used in place of the crystal. The high and low limits for crystal frequency that can be selected are 32.768 kHz and 40 MHz.

### 21.2 IO17 or IO15 Source for 25 KHz / 2 MHz Clock

When reg<1358> is set to 1, an external clocking signal on IOs 15 or 17 will be routed in place of the internal RC oscillator derived 25 kHz/2 MHz clock source. When reg<1355> is set to 0, IO17 is in use, when set to 1, IO15 is in use. See *Figure 66*. . The high and low limits for external frequency that can be selected are 0 MHz and 77 MHz.

### 21.3 IO14 Source for 25 MHz Clock

When reg<1357> is set to 1, an external clocking signal on IO14 will be routed in place of the internal RC oscillator derived 25 MHz clock source. See *Figure 67*. . The high and low limits for external frequency that can be selected are 0 MHz and 84 MHz.

**22.0 Appendix A - SLG46537 Register Definition**

| Address   |              | Signal Function | Register Bit Definition | I <sup>2</sup> C Interface |       |
|---|--------------|-----------------|-------------------------|----------------------------|-------|
| Byte  | Register Bit |                 |                         | Read                       | Write |
| <b>Note: For reg&lt;0&gt; to reg&lt;1495&gt;, I<sup>2</sup>C Read is valid (assuming reg &lt;1832&gt; = 0), I<sup>2</sup>C Write is valid (assuming reg &lt;1871&gt; = 0)</b> |              |                 |                         |                            |       |
| <b>Matrix 64-to-1 MUX's 6 selection bits</b>  |              |                 |                         |                            |       |
| 00  | reg<5:0>     | Matrix OUT      | ASM-state0-EN0          | Valid                      | Valid |
|   | reg<7:6>     | Reserved        |                         | Valid                      | Valid |
| 01  | reg<13:8>    | Matrix OUT      | ASM-state0-EN1          | Valid                      | Valid |
|   | reg<15:14>   | Reserved        |                         | Valid                      | Valid |
| 02  | reg<21:16>   | Matrix OUT      | ASM-state0-EN2          | Valid                      | Valid |
|   | reg<23:22>   | Reserved        |                         | Valid                      | Valid |
| 03  | reg<29:24>   | Matrix OUT      | ASM-state1-EN0          | Valid                      | Valid |
|   | reg<31:30>   | Reserved        |                         | Valid                      | Valid |
| 04  | reg<37:32>   | Matrix OUT      | ASM-state1-EN1          | Valid                      | Valid |
|   | reg<39:38>   | Reserved        |                         | Valid                      | Valid |
| 05  | reg<45:40>   | Matrix OUT      | ASM-state1-EN2          | Valid                      | Valid |
|   | reg<47:46>   | Reserved        |                         | Valid                      | Valid |
| 06  | reg<53:48>   | Matrix OUT      | ASM-state2-EN0          | Valid                      | Valid |
|   | reg<55:54>   | Reserved        |                         | Valid                      | Valid |
| 07  | reg<61:56>   | Matrix OUT      | ASM-state2-EN1          | Valid                      | Valid |
|   | reg<63:62>   | Reserved        |                         | Valid                      | Valid |
| 08  | reg<69:64>   | Matrix OUT      | ASM-state2-EN2          | Valid                      | Valid |
|   | reg<71:70>   | Reserved        |                         | Valid                      | Valid |
| 09  | reg<77:72>   | Matrix OUT      | ASM-state3-EN0          | Valid                      | Valid |
|   | reg<79:78>   | Reserved        |                         | Valid                      | Valid |
| 0A  | reg<85:80>   | Matrix OUT      | ASM-state3-EN1          | Valid                      | Valid |
|   | reg<87:86>   | Reserved        |                         | Valid                      | Valid |
| 0B  | reg<93:88>   | Matrix OUT      | ASM-state3-EN2          | Valid                      | Valid |
|   | reg<95:94>   | Reserved        |                         | Valid                      | Valid |
| 0C  | reg<101:96>  | Matrix OUT      | ASM-state4-EN0          | Valid                      | Valid |
|   | reg<103:102> | Reserved        |                         | Valid                      | Valid |
| 0D  | reg<109:104> | Matrix OUT      | ASM-state4-EN1          | Valid                      | Valid |
|   | reg<111:110> | Reserved        |                         | Valid                      | Valid |
| 0E  | reg<117:112> | Matrix OUT      | ASM-state4-EN2          | Valid                      | Valid |
|   | reg<119:118> | Reserved        |                         | Valid                      | Valid |
| 0F  | reg<125:120> | Matrix OUT      | ASM-state5-EN0          | Valid                      | Valid |
|   | reg<127:126> | Reserved        |                         | Valid                      | Valid |
| 10  | reg<133:128> | Matrix OUT      | ASM-state5-EN1          | Valid                      | Valid |
|   | reg<135:134> | Reserved        |                         | Valid                      | Valid |
| 11  | reg<141:136> | Matrix OUT      | ASM-state5-EN2          | Valid                      | Valid |
|   | reg<143:142> | Reserved        |                         | Valid                      | Valid |
| 12  | reg<149:144> | Matrix OUT      | ASM-state6-EN0          | Valid                      | Valid |
|   | reg<151:150> | Reserved        |                         | Valid                      | Valid |

| Address |              | Signal Function | Register Bit Definition  | I <sup>2</sup> C Interface |       |
|---------|--------------|-----------------|--|----------------------------|-------|
| Byte    | Register Bit |                 |  | Read                       | Write |
| 13      | reg<157:152> | Matrix OUT      | ASM-state6-EN1   | Valid                      | Valid |
|         | reg<159:158> | Reserved        |  | Valid                      | Valid |
| 14      | reg<165:160> | Matrix OUT      | ASM-state6-EN2   | Valid                      | Valid |
|         | reg<167:166> | Reserved        |  | Valid                      | Valid |
| 15      | reg<173:168> | Matrix OUT      | ASM-state7-EN0   | Valid                      | Valid |
|         | reg<175:174> | Reserved        |  | Valid                      | Valid |
| 16      | reg<181:176> | Matrix OUT      | ASM-state7-EN1   | Valid                      | Valid |
|         | reg<183:182> | Reserved        |  | Valid                      | Valid |
| 17      | reg<189:184> | Matrix OUT      | ASM-state7-EN2   | Valid                      | Valid |
|         | reg<191:190> | Reserved        |  | Valid                      | Valid |
| 18      | reg<197:192> | Matrix OUT      | ASM-state-nRST   | Valid                      | Valid |
|         | reg<199:198> | Reserved        |  | Valid                      | Valid |
| 19      | reg<205:200> | Matrix OUT      | IO1 Digital Output Source  | Valid                      | Valid |
|         | reg<207:206> | Reserved        |  | Valid                      | Valid |
| 1A      | reg<213:208> | Matrix OUT      | IO1 Output Enable  | Valid                      | Valid |
|         | reg<215:214> | Reserved        |  | Valid                      | Valid |
| 1B      | reg<221:216> | Matrix OUT      | IO2 Digital Output Source  | Valid                      | Valid |
|         | reg<223:222> | Reserved        |  | Valid                      | Valid |
| 1C      | reg<229:224> | Matrix OUT      | IO3 Digital Output Source  | Valid                      | Valid |
|         | reg<231:230> | Reserved        |  | Valid                      | Valid |
| 1D      | reg<237:232> | Matrix OUT      | IO3 Output Enable  | Valid                      | Valid |
|         | reg<239:238> | Reserved        |  | Valid                      | Valid |
| 1E      | reg<245:240> | Matrix OUT      | IO4 Digital Output Source  | Valid                      | Valid |
|         | reg<247:246> | Reserved        |  | Valid                      | Valid |
| 1F      | reg<253:248> | Matrix OUT      | IO5 Digital Output Source  | Valid                      | Valid |
|         | reg<255:254> | Reserved        |  | Valid                      | Valid |
| 20      | reg<261:256> | Matrix OUT      | IO5 Output Enable  | Valid                      | Valid |
|         | reg<263:262> | Reserved        |  | Valid                      | Valid |
| 21      | reg<269:264> | Matrix OUT      | IO6 Digital Output Source (SCL with VI/In-put & NMOS open-drain) | Valid                      | Valid |
|         | reg<271:270> | Reserved        |  | Valid                      | Valid |
| 22      | reg<277:272> | Matrix OUT      | IO7 Digital Output Source (SDA with VI/In-put & NMOS open-drain) | Valid                      | Valid |
|         | reg<279:278> | Reserved        |  | Valid                      | Valid |
| 23      | reg<285:280> | Matrix OUT      | IO8 Digital Output Source  | Valid                      | Valid |
|         | reg<287:286> | Reserved        |  | Valid                      | Valid |
| 24      | reg<293:288> | Matrix OUT      | IO8 Output Enable  | Valid                      | Valid |
|         | reg<295:294> | Reserved        |  | Valid                      | Valid |
| 25      | reg<301:296> | Matrix OUT      | IO9 Digital Output Source  | Valid                      | Valid |
|         | reg<303:302> | Reserved        |  | Valid                      | Valid |
| 26      | reg<309:304> | Matrix OUT      | IO10 Digital Output Source                                       | Valid                      | Valid |
|         | reg<311:310> | Reserved        |  | Valid                      | Valid |

| Address |              | Signal Function | Register Bit Definition                         | I <sup>2</sup> C Interface |       |
|---------|--------------|-----------------|---|----------------------------|-------|
| Byte    | Register Bit |                 |   | Read                       | Write |
| 27      | reg<317:312> | Matrix OUT      | IO10 Output Enable                              | Valid                      | Valid |
|         | reg<319:318> | Reserved        |   | Valid                      | Valid |
| 28      | reg<325:320> | Matrix OUT      | IO11 Digital Output Source                      | Valid                      | Valid |
|         | reg<327:326> | Reserved        |   | Valid                      | Valid |
| 29      | reg<333:328> | Matrix OUT      | IO11 Output Enable                              | Valid                      | Valid |
|         | reg<335:334> | Reserved        |   | Valid                      | Valid |
| 2A      | reg<341:336> | Matrix OUT      | IO12 Digital Output Source                      | Valid                      | Valid |
|         | reg<343:342> | Reserved        |   | Valid                      | Valid |
| 2B      | reg<349:344> | Matrix OUT      | IO13 Digital Output Source                      | Valid                      | Valid |
|         | reg<351:350> | Reserved        |   | Valid                      | Valid |
| 2C      | reg<357:352> | Matrix OUT      | IO13 Output Enable                              | Valid                      | Valid |
|         | reg<359:358> | Reserved        |   | Valid                      | Valid |
| 2D      | reg<365:360> | Matrix OUT      | IO14 Digital Output Source                      | Valid                      | Valid |
|         | reg<367:366> | Reserved        |   | Valid                      | Valid |
| 2E      | reg<373:368> | Matrix OUT      | IO15 Digital Output Source                      | Valid                      | Valid |
|         | reg<375:374> | Reserved        |   | Valid                      | Valid |
| 2F      | reg<381:376> | Matrix OUT      | IO15 Output Enable                              | Valid                      | Valid |
|         | reg<383:382> | Reserved        |   | Valid                      | Valid |
| 30      | reg<389:384> | Matrix OUT      | IO16 Digital Output Source                      | Valid                      | Valid |
|         | reg<391:390> | Reserved        |   | Valid                      | Valid |
| 31      | reg<397:392> | Matrix OUT      | IO16 Output Enable                              | Valid                      | Valid |
|         | reg<399:398> | Reserved        |   | Valid                      | Valid |
| 32      | reg<405:400> | Matrix OUT      | IO17 Digital Output Source                      | Valid                      | Valid |
|         | reg<407:406> | Reserved        |   | Valid                      | Valid |
| 33      | reg<413:408> | Matrix OUT      | ACMP0 PDB (Power Down)                          | Valid                      | Valid |
|         | reg<415:414> | Reserved        |   | Valid                      | Valid |
| 34      | reg<421:416> | Matrix OUT      | ACMP1 PDB (Power Down)                          | Valid                      | Valid |
|         | reg<423:422> | Reserved        |   | Valid                      | Valid |
| 35      | reg<429:424> | Matrix OUT      | ACMP2 PDB (Power Down)                          | Valid                      | Valid |
|         | reg<431:430> | Reserved        |   | Valid                      | Valid |
| 36      | reg<437:432> | Matrix OUT      | ACMP3 PDB (Power Down)                          | Valid                      | Valid |
|         | reg<439:438> | Reserved        |   | Valid                      | Valid |
| 37      | reg<445:440> | Matrix OUT      | Input of Filter_0 with fixed time edge detector | Valid                      | Valid |
|         | reg<447:446> | Reserved        |   | Valid                      | Valid |
| 38      | reg<453:448> | Matrix OUT      | Input of Filter_1 with fixed time edge detector | Valid                      | Valid |
|         | reg<455:454> | Reserved        |   | Valid                      | Valid |
| 39      | reg<461:456> | Matrix OUT      | Input of Programmable Delay & Edge Detector     | Valid                      | Valid |
|         | reg<463:462> | Reserved        |   | Valid                      | Valid |
| 3A      | reg<469:464> | Matrix OUT      | OSC 25 kHz/2MHz PDB (Power Down)                | Valid                      | Valid |
|         | reg<471:470> | Reserved        |   | Valid                      | Valid |

| Address |              | Signal Function | Register Bit Definition              | I <sup>2</sup> C Interface |       |
|---------|--------------|-----------------|--------------------------------------|----------------------------|-------|
| Byte    | Register Bit |                 |                                      | Read                       | Write |
| 3B      | reg<477:472> | Matrix OUT      | OSC 25 MHz PDB (Power Down)          | Valid                      | Valid |
|         | reg<479:478> | Reserved        |                                      | Valid                      | Valid |
| 3C      | reg<485:480> | Matrix OUT      | IN0 of LUT2_0 or Clock Input of DFF0 | Valid                      | Valid |
|         | reg<487:486> | Reserved        |                                      | Valid                      | Valid |
| 3D      | reg<493:488> | Matrix OUT      | IN1 of LUT2_0 or Data Input of DFF0  | Valid                      | Valid |
|         | reg<495:494> | Reserved        |                                      | Valid                      | Valid |
| 3E      | reg<501:496> | Matrix OUT      | IN0 of LUT2_1 or Clock Input of DFF1 | Valid                      | Valid |
|         | reg<503:502> | Reserved        |                                      | Valid                      | Valid |
| 3F      | reg<509:504> | Matrix OUT      | IN1 of LUT2_1 or Data Input of DFF1  | Valid                      | Valid |
|         | reg<511:510> | Reserved        |                                      | Valid                      | Valid |
| 40      | reg<517:512> | Matrix OUT      | IN0 of LUT2_2 or Clock Input of DFF2 | Valid                      | Valid |
|         | reg<519:518> | Reserved        |                                      | Valid                      | Valid |
| 41      | reg<525:520> | Matrix OUT      | IN1 of LUT2_2 or Data Input of DFF2  | Valid                      | Valid |
|         | reg<527:526> | Reserved        |                                      | Valid                      | Valid |
| 42      | reg<533:528> | Matrix OUT      | IN0 of LUT2_3 or Clock Input of PGEN | Valid                      | Valid |
|         | reg<535:534> | Reserved        |                                      | Valid                      | Valid |
| 43      | reg<541:536> | Matrix OUT      | IN1 of LUT2_3 or nRST of PGEN        | Valid                      | Valid |
|         | reg<543:542> | Reserved        |                                      | Valid                      | Valid |
| 44      | reg<549:544> | Matrix OUT      | IN0 of LUT3_0 or Clock Input of DFF3 | Valid                      | Valid |
|         | reg<551:550> | Reserved        |                                      | Valid                      | Valid |
| 45      | reg<557:552> | Matrix OUT      | IN1 of LUT3_0 or Data Input of DFF3  | Valid                      | Valid |
|         | reg<559:558> | Reserved        |                                      | Valid                      | Valid |
| 46      | reg<565:560> | Matrix OUT      | IN2 of LUT3_0 or nRST (nSET) of DFF3 | Valid                      | Valid |
|         | reg<567:566> | Reserved        |                                      | Valid                      | Valid |
| 47      | reg<573:568> | Matrix OUT      | IN0 of LUT3_1 or Clock Input of DFF4 | Valid                      | Valid |
|         | reg<575:574> | Reserved        |                                      | Valid                      | Valid |
| 48      | reg<581:576> | Matrix OUT      | IN1 of LUT3_1 or Data Input of DFF4  | Valid                      | Valid |
|         | reg<583:582> | Reserved        |                                      | Valid                      | Valid |
| 49      | reg<589:584> | Matrix OUT      | IN2 of LUT3_1 or nRST (nSET) of DFF4 | Valid                      | Valid |
|         | reg<591:590> | Reserved        |                                      | Valid                      | Valid |
| 4A      | reg<597:592> | Matrix OUT      | IN0 of LUT3_2 or Clock Input of DFF5 | Valid                      | Valid |
|         | reg<599:598> | Reserved        |                                      | Valid                      | Valid |
| 4B      | reg<605:600> | Matrix OUT      | IN1 of LUT3_2 or Data Input of DFF5  | Valid                      | Valid |
|         | reg<607:606> | Reserved        |                                      | Valid                      | Valid |
| 4C      | reg<613:608> | Matrix OUT      | IN2 of LUT3_2 or nRST (nSET) of DFF5 | Valid                      | Valid |
|         | reg<615:614> | Reserved        |                                      | Valid                      | Valid |
| 4D      | reg<621:616> | Matrix OUT      | IN0 of LUT3_3 or Clock Input of DFF6 | Valid                      | Valid |
|         | reg<623:622> | Reserved        |                                      | Valid                      | Valid |
| 4E      | reg<629:624> | Matrix OUT      | IN1 of LUT3_3 or Data Input of DFF6  | Valid                      | Valid |
|         | reg<631:630> | Reserved        |                                      | Valid                      | Valid |
| 4F      | reg<637:632> | Matrix OUT      | IN2 of LUT3_3 or nRST (nSET) of DFF6 | Valid                      | Valid |
|         | reg<639:638> | Reserved        |                                      | Valid                      | Valid |

| Address |              | Signal Function | Register Bit Definition                                       | I <sup>2</sup> C Interface |       |
|---------|--------------|-----------------|---|----------------------------|-------|
| Byte    | Register Bit |                 |   | Read                       | Write |
| 50      | reg<645:640> | Matrix OUT      | IN0 of LUT3_4 or Clock Input of DFF7                          | Valid                      | Valid |
|         | reg<647:646> | Reserved        |   | Valid                      | Valid |
| 51      | reg<653:648> | Matrix OUT      | IN1 of LUT3_4 or Data Input of DFF7                           | Valid                      | Valid |
|         | reg<655:654> | Reserved        |   | Valid                      | Valid |
| 52      | reg<661:656> | Matrix OUT      | IN2 of LUT3_4 or nRST (nSET) of DFF7                          | Valid                      | Valid |
|         | reg<663:662> | Reserved        |   | Valid                      | Valid |
| 53      | reg<669:664> | Matrix OUT      | IN0 of LUT3_5 or Delay2 Input (or Counter2 RST Input)         | Valid                      | Valid |
|         | reg<671:670> | Reserved        |   | Valid                      | Valid |
| 54      | reg<677:672> | Matrix OUT      | IN1 of LUT3_5 or External Clock Input of Delay2 (or Counter2) | Valid                      | Valid |
|         | reg<679:678> | Reserved        |   | Valid                      | Valid |
| 55      | reg<685:680> | Matrix OUT      | IN2 of LUT3_5   | Valid                      | Valid |
|         | reg<687:686> | Reserved        |   | Valid                      | Valid |
| 56      | reg<693:688> | Matrix OUT      | IN0 of LUT3_6 or Delay3 Input (or Counter3 RST Input)         | Valid                      | Valid |
|         | reg<695:694> | Reserved        |   | Valid                      | Valid |
| 57      | reg<701:696> | Matrix OUT      | IN1 of LUT3_6 or External Clock Input of Delay3 (or Counter3) | Valid                      | Valid |
|         | reg<703:702> | Reserved        |   | Valid                      | Valid |
| 58      | reg 709:704> | Matrix OUT      | IN2 of LUT3_6   | Valid                      | Valid |
|         | reg<711:710> | Reserved        |   | Valid                      | Valid |
| 59      | reg<717:712> | Matrix OUT      | IN0 of LUT3_7 or Delay4 Input (or Counter4 RST Input)         | Valid                      | Valid |
|         | reg<719:718> | Reserved        |   | Valid                      | Valid |
| 5A      | reg<725:720> | Matrix OUT      | IN1 of LUT3_7 or External Clock Input of Delay4 (or Counter4) | Valid                      | Valid |
|         | reg<727:726> | Reserved        |   | Valid                      | Valid |
| 5B      | reg<733:728> | Matrix OUT      | IN2 of LUT3_7   | Valid                      | Valid |
|         | reg<735:734> | Reserved        |   | Valid                      | Valid |
| 5C      | reg<741:736> | Matrix OUT      | IN0 of LUT3_8 or Delay5 Input (or Counter5 RST Input)         | Valid                      | Valid |
|         | reg<743:742> | Reserved        |   | Valid                      | Valid |
| 5D      | reg<749:744> | Matrix OUT      | IN1 of LUT3_8 or External Clock Input of Delay5 (or Counter5) | Valid                      | Valid |
|         | reg<751:750> | Reserved        |   | Valid                      | Valid |
| 5E      | reg<757:752> | Matrix OUT      | IN2 of LUT3_8   | Valid                      | Valid |
|         | reg<759:758> | Reserved        |   | Valid                      | Valid |
| 5F      | reg<765:760> | Matrix OUT      | IN0 of LUT3_9 or Delay6 Input (or Counter6 RST Input)         | Valid                      | Valid |
|         | reg<767:766> | Reserved        |   | Valid                      | Valid |
| 60      | reg<773:768> | Matrix OUT      | IN1 of LUT3_9 or External Clock Input of Delay6 (or Counter6) | Valid                      | Valid |
|         | reg<775:774> | Reserved        |   | Valid                      | Valid |



| Address |              | Signal Function | Register Bit Definition   | I <sup>2</sup> C Interface |         |
|---------|--------------|-----------------|---|----------------------------|---------|
| Byte    | Register Bit |                 |   | Read                       | Write   |
| 61      | reg<781:776> | Matrix OUT      | IN2 of LUT3_9   | Valid                      | Valid   |
|         | reg<783:782> | Reserved        |   | Valid                      | Valid   |
| 62      | reg<789:784> | Matrix OUT      | IN0 of LUT3_10 or Input of Pipe Delay                                   | Valid                      | Valid   |
|         | reg<791:790> | Reserved        |   | Valid                      | Valid   |
| 63      | reg<797:792> | Matrix OUT      | IN1 of LUT3_10 or nRST of Pipe Delay                                    | Valid                      | Valid   |
|         | reg<799:798> | Reserved        |   | Valid                      | Valid   |
| 64      | reg<805:800> | Matrix OUT      | IN2 of LUT3_10 or Clock of Pipe Delay                                   | Valid                      | Valid   |
|         | reg<807:806> | Reserved        |   | Valid                      | Valid   |
| 65      | reg<813:808> | Matrix OUT      | IN0 of LUT4_0 or Delay0 Input (or Counter0 RST/SET Input)               | Valid                      | Valid   |
|         | reg<815:814> | Reserved        |   | Valid                      | Valid   |
| 66      | reg<821:816> | Matrix OUT      | IN1 of LUT4_0 or External Clock Input of Delay0 (or Counter0)           | Valid                      | Valid   |
|         | reg<823:822> | Reserved        |   | Valid                      | Valid   |
| 67      | reg<829:824> | Matrix OUT      | IN2 of LUT4_0 or UP Input of FSM0                                       | Valid                      | Valid   |
|         | reg<831:830> | Reserved        |   | Valid                      | Valid   |
| 68      | reg<837:832> | Matrix OUT      | IN3 of LUT4_0 or KEEP Input of FSM0                                     | Valid                      | Valid   |
|         | reg<839:838> | Reserved        |   | Valid                      | Valid   |
| 69      | reg<845:840> | Matrix OUT      | IN0 of LUT4_1 or Delay1 Input (or Counter1 RST/SET Input)               | Valid                      | Valid   |
|         | reg<847:846> | Reserved        |   | Valid                      | Valid   |
| 6A      | reg<853:848> | Matrix OUT      | IN1 of LUT4_1 or External Clock Input of Delay1 (or Counter1)           | Valid                      | Valid   |
|         | reg<855:854> | Reserved        |   | Valid                      | Valid   |
| 6B      | reg<861:856> | Matrix OUT      | IN2 of LUT4_1 or UP Input of FSM1                                       | Valid                      | Valid   |
|         | reg<863:862> | Reserved        |   | Valid                      | Valid   |
| 6C      | reg<869:864> | Matrix OUT      | IN3 of LUT4_1 or KEEP Input of FSM1                                     | Valid                      | Valid   |
|         | reg<871:870> | Reserved        |   | Valid                      | Valid   |
| 6D      | reg<877:872> | Matrix OUT      | PD of either Temp-output with BG AND/OR crystal oscillator by reg<1268> | Valid                      | Valid   |
|         | reg<879:878> | Reserved        |   | Valid                      | Valid   |
| 6E      | reg<887:880> | Reserved        |   | Invalid                    | Invalid |
| 6F      | reg<895:888> | Reserved        |   | Invalid                    | Invalid |
| 70      | reg<903:896> | Reserved        |   | Invalid                    | Invalid |
| 71      | reg<911:904> | Reserved        |   | Invalid                    | Invalid |
| 72      | reg<919:912> | Reserved        |   | Invalid                    | Invalid |
| 73      | reg<927:920> | Reserved        |   | Invalid                    | Invalid |
| 74      | reg<935:928> | Reserved        |   | Invalid                    | Invalid |
| 75      | reg<943:936> | Reserved        |   | Invalid                    | Invalid |
| 76      | reg<951:944> | Reserved        |   | Invalid                    | Invalid |
| 77      | reg<959:952> | Reserved        |   | Invalid                    | Invalid |
| 78      | reg<967:960> | Reserved        |   | Invalid                    | Invalid |
| 79      | reg<975:968> | Reserved        |   | Invalid                    | Invalid |
| 7A      | reg<983:976> | Reserved        |   | Invalid                    | Invalid |

| Address    |                | Signal Function                           | Register Bit Definition  | I <sup>2</sup> C Interface |         |
|------------|----------------|---|--|----------------------------|---------|
| Byte       | Register Bit   |   |  | Read                       | Write   |
| 7B         | reg<991:984>   | Reserved                                  |  | Invalid                    | Invalid |
| 7C         | reg<999:992>   | Reserved                                  |  | Invalid                    | Invalid |
| 7D         | reg<1007:1000> | Reserved                                  |  | Invalid                    | Invalid |
| 7E         | reg<1015:1008> | Reserved                                  |  | Invalid                    | Invalid |
| 7F         | reg<1023:1016> | Reserved                                  |  | Invalid                    | Invalid |
| <b>IO0</b> |                |   |  |                            |         |
| 80         | reg<1024>      | Reserved                                  |  | Valid                      | Valid   |
|            | reg<1025>      | Reserved                                  |  | Valid                      | Valid   |
|            | reg<1027:1026> | Reserved                                  |  | Valid                      | Valid   |
|            | reg<1029:1028> | IO0 Pull Down Resistor Value Selection    | 00: Floating<br>01: 10 K<br>10: 100 K<br>11: 1 M   | Valid                      | Valid   |
|            | reg<1031:1030> | IO0 Mode Control                          | 00: Digital Input without Schmitt Trigger<br>01: Digital Input with Schmitt Trigger<br>10: Low Voltage Digital Input<br>11: Reserved   | Valid                      | Valid   |
| <b>IO1</b> |                |   |  |                            |         |
| 80         | reg<1032>      | Reserved                                  |  | Valid                      | Valid   |
| 81         | reg<1033>      | IO1 Pull Up/Down Resistor Selection       | 0: Pull Down Resistor<br>1: Pull Up Resistor   | Valid                      | Valid   |
|            | reg<1035:1034> | IO1 Pull Up/Down Resistor Value Selection | 00: Floating<br>01: 10 K<br>10: 100 K<br>11: 1 M   | Valid                      | Valid   |
|            | reg<1037:1036> | IO1 Mode Control (sig_io1_oe = 0)         | 00: Digital Input without Schmitt Trigger,<br>01: Digital Input with Schmitt Trigger,<br>10: Low Voltage Digital Input<br>11: Reserved   | Valid                      | Valid   |
|            | reg<1039:1038> | IO1 Mode Control (sig_io1_oe = 1)         | 00: Push Pull 1X<br>01: Push Pull 2X<br>10: Open Drain NMOS 1X<br>11: Open Drain NMOS 2X   | Valid                      | Valid   |
| <b>IO2</b> |                |   |  |                            |         |
| 82         | reg<1040>      | Reserved                                  |  | Valid                      | Valid   |
|            | reg<1041>      | IO2 Driver Strength Selection             | 0: 1X<br>1: 2X   | Valid                      | Valid   |
|            | reg<1042>      | IO2 Pull Up/Down Resistor Selection       | 0: Pull Down Resistor<br>1: Pull Up Resistor   | Valid                      | Valid   |
|            | reg<1044:1043> | IO2 Pull Up/Down Resistor Value Selection | 00: Floating<br>01: 10 K<br>10: 100 K<br>11: 1 M   | Valid                      | Valid   |
|            | reg<1047:1045> | IO2 Mode Control                          | 000: Digital Input without Schmitt Trigger<br>001: Digital Input with Schmitt Trigger<br>010: Low Voltage Digital Input<br>011: Reserved 100: Push Pull<br>101: Open Drain NMOS<br>110: Open Drain PMOS<br>111: Reserved | Valid                      | Valid   |

| Address    |                | Signal Function                           | Register Bit Definition   | I <sup>2</sup> C Interface |       |
|------------|----------------|---|---|----------------------------|-------|
| Byte       | Register Bit   |   |   | Read                       | Write |
| <b>IO3</b> |                |   |   |                            |       |
| 83         | reg<1048>      | Reserved                                  |   | Valid                      | Valid |
|            | reg<1049>      | IO3 Pull Up/Down Resistor Selection       | 0: Pull Down Resistor<br>1: Pull Up Resistor  | Valid                      | Valid |
|            | reg<1051:1050> | IO3 Pull Up/Down Resistor Value Selection | 00: Floating<br>01: 10 K<br>10: 100 K<br>11: 1 M  | Valid                      | Valid |
|            | reg<1053:1052> | IO3 Mode Control (sig_io3_oe = 0)         | 00: Digital Input without Schmitt Trigger<br>01: Digital Input with Schmitt Trigger<br>10: Low Voltage Digital Input<br>11: Reserved  | Valid                      | Valid |
|            | reg<1055:1054> | IO3 Mode Control (sig_io3_oe = 1)         | 00: Push Pull 1X<br>01: Push Pull 2X<br>10: Open Drain NMOS 1X<br>11: Open Drain NMOS 2X  | Valid                      | Valid |
| <b>IO4</b> |                |   |   |                            |       |
| 84         | reg<1056>      | Reserved                                  |   | Valid                      | Valid |
|            | reg<1057>      | IO4 Driver Strength Selection             | 0: 1X<br>1: 2X  | Valid                      | Valid |
|            | reg<1058>      | IO4 Pull Up/Down Resistor Selection       | 0: Pull Down Resistor<br>1: Pull Up Resistor  | Valid                      | Valid |
|            | reg<1060:1059> | IO4 Pull Up/Down Resistor Value Selection | 00: Floating<br>01: 10 K<br>10: 100 K<br>11: 1 M  | Valid                      | Valid |
|            | reg<1063:1061> | IO4 Mode Control                          | 000: Digital Input without Schmitt Trigger<br>001: Digital Input with Schmitt Trigger<br>010: Low Voltage Digital Input<br>011: Analog Input/Output<br>100: Push Pull<br>101: Open Drain NMOS<br>110: Open Drain PMOS<br>111: Analog Input & Open Drain | Valid                      | Valid |
| <b>IO5</b> |                |   |   |                            |       |
| 85         | reg<1064>      | Reserved                                  |   | Valid                      | Valid |
|            | reg<1065>      | IO5 Pull Up/Down Resistor Selection       | 0: Pull Down Resistor<br>1: Pull Up Resistor  | Valid                      | Valid |
|            | reg<1067:1066> | IO5 Pull Up/Down Resistor Value Selection | 00: Floating<br>01: 10 K<br>10: 100 K<br>11: 1 M  | Valid                      | Valid |
|            | reg<1069:1068> | IO5 Mode Control (sig_io5_oe = 0)         | 00: Digital Input without Schmitt Trigger<br>01: Digital Input with Schmitt Trigger<br>10: Low Voltage Digital Input<br>11: Analog Input/Output   | Valid                      | Valid |
|            | reg<1071:1070> | IO5 Mode Control (sig_io5_oe = 1)         | 00: Push Pull 1X<br>01: Push Pull 2X<br>10: Open Drain NMOS 1X<br>11: Open Drain NMOS 2X  | Valid                      | Valid |

| Address    |                | Signal Function  | Register Bit Definition   | I <sup>2</sup> C Interface |       |
|------------|----------------|--|---|----------------------------|-------|
| Byte       | Register Bit   |  |   | Read                       | Write |
| <b>IO6</b> |                |  |   |                            |       |
| 86         | reg<1072>      | Reserved   |   | Valid                      | Valid |
|            | reg<1073>      | IO6 Driver Strength Selection  | 0: 1X<br>1: 2X  | Valid                      | Valid |
|            | reg<1074>      | Select SCL & Virtual Input 0 or IO6  | 0: SCL & Virtual Input 0<br>1: IO6  | Valid                      | Valid |
|            | reg<1076:1075> | IO6 Pull Down Resistor Value Selection   | 00: Floating<br>01: 10 K<br>10: 100 K<br>11: 1 M  | Valid                      | Valid |
|            | reg<1079:1077> | IO6 (or SCL) Mode Control<br>(input mode is selected by reg at SCL)  | 000: Digital Input without Schmitt Trigger<br>001: Digital Input with Schmitt Trigger<br>010: Low Voltage Digital Input<br>011: Reserved<br>100: Reserved<br>101: Open Drain NMOS<br>110: Reserved<br>111: Reserved | Valid                      | Valid |
| <b>IO7</b> |                |  |   |                            |       |
| 87         | reg<1080>      | Reserved   |   | Valid                      | Valid |
|            | reg<1081>      | IO7 (or SDA) Driver Strength Selection   | 0: 1X (I <sup>2</sup> C up to 400 kHz)<br>1: 2X (I <sup>2</sup> C up to 1 MHz)  | Valid                      | Valid |
|            | reg<1082>      | Select SDA & Virtual Input 1 or IO7  | 0: SDA & Virtual Input 1<br>1: IO7  | Valid                      | Valid |
|            | reg<1084:1083> | IO7 Pull Down Resistor Value Selection   | 00: Floating<br>01: 10 K<br>10: 100 K<br>11: 1 M  | Valid                      | Valid |
|            | reg<1087:1085> | IO7 (or SDA) Mode Control<br>(input mode is selected by register at SDA,<br>output mode is fixed as OD at SDA) | 000: Digital Input without Schmitt Trigger<br>001: Digital Input with Schmitt Trigger<br>010: Low Voltage Digital Input<br>011: Reserved<br>100: Reserved<br>101: Open Drain NMOS<br>110: Reserved<br>111: Reserved | Valid                      | Valid |

| Address    |                | Signal Function                                 | Register Bit Definition   | I <sup>2</sup> C Interface |       |
|------------|----------------|---|---|----------------------------|-------|
| Byte       | Register Bit   |   |   | Read                       | Write |
| <b>IO8</b> |                |   |   |                            |       |
| 88         | reg<1088>      | IO8 Super Drive (4X, NMOS Open Drain) Selection | 0: Super Drive OFF<br>1: Super Drive ON (if sig_IO8_oe = '1' & IO8 Mode Control = '1X')   | Valid                      | Valid |
|            | reg<1089>      | IO8 Pull Up/Down Resistor Selection             | 0: Pull Down Resistor<br>1: Pull Up Resistor  | Valid                      | Valid |
|            | reg<1091:1090> | IO8 Pull Up/Down Resistor Value Selection       | 00: Floating<br>01: 10K<br>10: 100K<br>11: 1M   | Valid                      | Valid |
|            | reg<1093:1092> | IO8 Mode Control (sig_io8_oe = 0)               | 00: Digital Input without Schmitt Trigger<br>01: Digital Input with Schmitt Trigger<br>10: Low Voltage Digital Input<br>11: Analog Input/Output   | Valid                      | Valid |
|            | reg<1095:1094> | IO8 Mode Control (sig_io8_oe = 1)               | 00: Push Pull 1X<br>01: Push Pull 2X<br>10: Open Drain NMOS 1X<br>11: Open Drain NMOS 2X  | Valid                      | Valid |
| <b>IO9</b> |                |   |   |                            |       |
| 89         | reg<1096>      | IO9 Super Drive (4X, NMOS Open Drain) Selection | 0: Super Drive OFF<br>1: Super Drive ON (if IO9 Mode Control = '101')   | Valid                      | Valid |
|            | reg<1097>      | IO9 Driver Strength Selection                   | 0: 1X<br>1: 2X  | Valid                      | Valid |
|            | reg<1098>      | IO9 Pull Up/Down Resistor Selection             | 0: Pull Down Resistor<br>1: Pull Up Resistor  | Valid                      | Valid |
|            | reg<1100:1099> | IO9 Pull Up/Down Resistor Value Selection       | 00: Floating<br>01: 10K<br>10: 100K<br>11: 1M   | Valid                      | Valid |
|            | reg<1103:1101> | IO9 Mode Control                                | 000: Digital Input without Schmitt Trigger<br>001: Digital Input with Schmitt Trigger<br>010: Low Voltage Digital Input<br>011: Analog Input/Output<br>100: Push Pull<br>101: Open Drain NMOS<br>110: Open Drain PMOS<br>111: Analog Input & Open Drain | Valid                      | Valid |

| Address     |                | Signal Function                            | Register Bit Definition   | I <sup>2</sup> C Interface |       |
|-------------|----------------|--|---|----------------------------|-------|
| Byte        | Register Bit   |  |   | Read                       | Write |
| <b>IO10</b> |                |  |   |                            |       |
| 8A          | reg<1104>      | Reserved                                   |   | Valid                      | Valid |
|             | reg<1105>      | IO10 Pull Up/Down Resistor Selection       | 0: Pull Down Resistor<br>1: Pull Up Resistor  | Valid                      | Valid |
|             | reg<1107:1106> | IO10 Pull Up/Down Resistor Value Selection | 00: Floating<br>01: 10K<br>10: 100K<br>11: 1M   | Valid                      | Valid |
|             | reg<1109:1108> | IO10 Mode Control (sig_io10_oe = 0)        | 00: Digital Input without Schmitt Trigger<br>01: Digital Input with Schmitt Trigger<br>10: Low Voltage Digital Input<br>11: Analog Input/Output   | Valid                      | Valid |
|             | reg<1111:1110> | IO10 Mode Control (sig_io10_oe = 1)        | 00: Push Pull 1X<br>01: Push Pull 2X<br>10: Open Drain NMOS 1X<br>11: Open Drain NMOS 2X  | Valid                      | Valid |
| <b>IO11</b> |                |  |   |                            |       |
| 8B          | reg<1112>      | Reserved                                   |   | Valid                      | Valid |
|             | reg<1113>      | IO11 Pull Up/Down Resistor Selection       | 0: Pull Down Resistor<br>1: Pull Up Resistor  | Valid                      | Valid |
|             | reg<1115:1114> | IO11 Pull Up/Down Resistor Value Selection | 00: Floating<br>01: 10K<br>10: 100K<br>11: 1M   | Valid                      | Valid |
|             | reg<1117:1116> | IO11 Mode Control (sig_IO11_oe = 0)        | 00: Digital Input without Schmitt Trigger<br>01: Digital Input with Schmitt Trigger<br>10: Low Voltage Digital Input<br>11: Analog Input/Output   | Valid                      | Valid |
|             | reg<1119:1118> | IO11 Mode Control (sig_IO11_oe = 1)        | 00: Push Pull 1X<br>01: Push Pull 2X<br>10: Open Drain NMOS 1X<br>11: Open Drain NMOS 2X  | Valid                      | Valid |
| <b>IO12</b> |                |  |   |                            |       |
| 8C          | reg<:1120>     | Reserved                                   |   | Valid                      | Valid |
|             | reg<1121>      | IO12 Driver Strength Selection             | 0: 1X<br>1: 2X  | Valid                      | Valid |
|             | reg<1122>      | IO12 Pull Up/Down Resistor Selection       | 0: Pull Down Resistor<br>1: Pull Up Resistor  | Valid                      | Valid |
|             | reg<1124:1123> | IO12 Pull Up/Down Resistor Value Selection | 00: Floating<br>01: 10K<br>10: 100K<br>11: 1M   | Valid                      | Valid |
|             | reg<1127:1125> | IO12 Mode Control                          | 000: Digital Input without Schmitt Trigger<br>001: Digital Input with Schmitt Trigger<br>010: Low Voltage Digital Input<br>011: Analog Input/Output<br>100: Push Pull<br>101: Open Drain NMOS<br>110: Open Drain PMOS<br>111: Analog Input & Open Drain | Valid                      | Valid |

| Address     |                | Signal Function                            | Register Bit Definition  | I <sup>2</sup> C Interface |       |
|-------------|----------------|--|--|----------------------------|-------|
| Byte        | Register Bit   |  |  | Read                       | Write |
| <b>IO13</b> |                |  |  |                            |       |
| 8D          | reg<1128>      | Reserved                                   |  | Valid                      | Valid |
|             | reg<1129>      | IO13 Pull Up/Down Resistor Selection       | 0: Pull Down Resistor<br>1: Pull Up Resistor   | Valid                      | Valid |
|             | reg<1131:1130> | IO13 Pull Up/Down Resistor Value Selection | 00: Floating<br>01: 10K<br>10: 100K<br>11: 1M  | Valid                      | Valid |
|             | reg<1133:1132> | IO13 Mode Control (sig_io13_oe = 0)        | 00: Digital Input without Schmitt Trigger<br>01: Digital Input with Schmitt Trigger<br>10: Low Voltage Digital Input<br>11: Sel for XSOC (X2)  | Valid                      | Valid |
|             | reg<1135:1134> | IO13 Mode Control (sig_io13_oe = 1)        | 00: Push Pull 1X<br>01: Push Pull 2X<br>10: Open Drain NMOS 1X<br>11: Open Drain NMOS 2X   | Valid                      | Valid |
| <b>IO14</b> |                |  |  |                            |       |
| 8E          | reg<1136>      | X1 & X2 for crystal OSC enable             | 0: Disable<br>1: Enable  | Valid                      | Valid |
|             | reg<1137>      | IO14 Driver Strength Selection             | 0: 1X<br>1: 2X   | Valid                      | Valid |
|             | reg<1138>      | IO14 Pull Up/Down Resistor Selection       | 0: Pull Down Resistor<br>1: Pull Up Resistor   | Valid                      | Valid |
|             | reg<1140:1139> | IO14 Pull Up/Down Resistor Value Selection | 00: Floating<br>01: 10K<br>10: 100K<br>11: 1M  | Valid                      | Valid |
|             | reg<1143:1141> | IO14 Mode Control                          | 000: Digital Input without Schmitt Trigger<br>001: Digital Input with Schmitt Trigger<br>010: Low Voltage Digital Input<br>011: Sel for XOSC (X1)<br>100: Push Pull<br>101: Open Drain NMOS<br>110: Open Drain PMOS<br>111: Reserved | Valid                      | Valid |
| <b>IO15</b> |                |  |  |                            |       |
| 8F          | reg<1144>      | Reserved                                   |  | Valid                      | Valid |
|             | reg<1145>      | IO15 Pull Up/Down Resistor Selection       | 0: Pull Down Resistor<br>1: Pull Up Resistor   | Valid                      | Valid |
|             | reg<1147:1146> | IO15 Pull Up/Down Resistor Value Selection | 00: Floating<br>01: 10K<br>10: 100K<br>11: 1M  | Valid                      | Valid |
|             | reg<1149:1148> | IO15 Mode Control (sig_io15_oe = 0)        | 00: Digital Input without Schmitt Trigger<br>01: Digital Input with Schmitt Trigger<br>10: Low Voltage Digital Input<br>11: Analog Input/Output  | Valid                      | Valid |
|             | reg<1151:1150> | IO15 Mode Control (sig_io15_oe = 1)        | 00: Push Pull 1X<br>01: Push Pull 2X<br>10: Open Drain NMOS 1X<br>11: Open Drain NMOS 2X   | Valid                      | Valid |

| Address      |                | Signal Function                            | Register Bit Definition   | I <sup>2</sup> C Interface |       |
|--------------|----------------|--|---|----------------------------|-------|
| Byte         | Register Bit   |  |   | Read                       | Write |
| <b>IO16</b>  |                |  |   |                            |       |
| 90           | reg<1152>      | Reserved                                   |   | Valid                      | Valid |
|              | reg<1153>      | IO16 Pull Up/Down Resistor Selection       | 0: Pull Down Resistor<br>1: Pull Up Resistor  | Valid                      | Valid |
|              | reg<1155:1154> | IO16 Pull Up/Down Resistor Value Selection | 00: Floating<br>01: 10K<br>10: 100K<br>11: 1M   | Valid                      | Valid |
|              | reg<1157:1156> | IO16 Mode Control (sig_io16_oe = 0)        | 00: Digital Input without Schmitt Trigger<br>01: Digital Input with Schmitt Trigger<br>10: Low Voltage Digital Input<br>11: Analog Input/Output   | Valid                      | Valid |
|              | reg<1159:1158> | IO16 Mode Control (sig_io16_oe = 1)        | 00: Push Pull 1X<br>01: Push Pull 2X<br>10: Open Drain NMOS 1X<br>11: Open Drain NMOS 2X  | Valid                      | Valid |
| <b>IO17</b>  |                |  |   |                            |       |
| 91           | reg<1160>      | Reserved                                   |   | Valid                      | Valid |
|              | reg<1161>      | IO17 Driver Strength Selection             | 0: 1X<br>1: 2X  | Valid                      | Valid |
|              | reg<1162>      | IO17 Pull Up/Down Resistor Selection       | 0: Pull Down Resistor<br>1: Pull Up Resistor  | Valid                      | Valid |
|              | reg<1164:1163> | IO17 Pull Up/Down Resistor Value Selection | 00: Floating<br>01: 10K<br>10: 100K<br>11: 1M   | Valid                      | Valid |
|              | reg<1167:1165> | IO17 Mode Control                          | 000: Digital Input without Schmitt Trigger<br>001: Digital Input with Schmitt Trigger<br>010: Low Voltage Digital Input<br>011: Reserved<br>100: Push Pull<br>101: Open Drain NMOS<br>110: Open Drain PMOS<br>111: Reserved | Valid                      | Valid |
| <b>ACMP1</b> |                |  |   |                            |       |
| 92           | reg<1168>      | ACMP1 Positive Input Source Select         | 0: IO8<br>1: ACMP0 IN+ source   | Valid                      | Valid |
|              | reg<1169>      | ACMP1 Analog Buffer Enable (Max. BW 1MHz)  | 0: Disable analog buffer<br>1: Enable analog buffer   | Valid                      | Valid |
|              | reg<1171:1170> | ACMP1 Hysteresis Enable                    | 00: 0mV<br>01: 25mV<br>10: 50mV<br>11: 200mV<br>(01: for both external & internal VREF; 10 & 11: for only internal VREF; External VREF will not have 50mV & 200mV hysteresis)   | Valid                      | Valid |



| Address                                   |                | Signal Function                           | Register Bit Definition   | I <sup>2</sup> C Interface |       |
|---|----------------|---|---|----------------------------|-------|
| Byte                                      | Register Bit   |   |   | Read                       | Write |
| <b>ACMP0</b>                              |                |   |   |                            |       |
| 92  | reg<1172>      | ACMP0 Positive Input Source Select        | 0: IO4<br>1: V <sub>DD</sub>  | Valid                      | Valid |
|   | reg<1173>      | ACMP0 Analog Buffer Enable (Max. BW 1MHz) | 0: Disable analog buffer<br>1: Enable analog buffer   | Valid                      | Valid |
|   | reg<1175:1174> | ACMP0 Hysteresis Enable                   | 00: 0mV<br>01: 25mV<br>10: 50mV<br>11: 200mV<br>(01: for both external & internal VREF; 10 & 11: for only internal VREF; External VREF will not have 50mV & 200mV hysteresis)         | Valid                      | Valid |
| <b>ACMP3</b>                              |                |   |   |                            |       |
| 93  | reg<1177:1176> | ACMP3 Positive Input Source Select        | 00: IO12<br>01: ACMP2 IN+ source<br>10: ACMP0 IN+ source<br>11: Reserved  | Valid                      | Valid |
|   | reg<1179:1178> | ACMP3 Hysteresis Enable                   | 00: 0 mV<br>01: 25 mV<br>10: 50 mV,<br>11: 200 mV<br>(01: for both external & internal VREF; 10 & 11: for only internal VREF; External VREF will not have 50 mV & 200 mV hysteresis.) | Valid                      | Valid |
| <b>ACMP2</b>                              |                |   |   |                            |       |
| 93  | reg<1180>      | ACMP2 Positive Input Source Select        | 0: IO10<br>1: ACMP0 IN+ source  | Valid                      | Valid |
|   | reg<1182:1181> | ACMP2 Hysteresis Enable                   | 00: 0mV<br>01: 25mV<br>10: 50mV<br>11: 200mV<br>(01: for both external & internal VREF; 10 & 11: for only internal VREF; External VREF will not have 50mV & 200mV hysteresis)         | Valid                      | Valid |
| <b>ACMP1 100 uA Current Source Enable</b> |                |   |   |                            |       |
| 93  | reg<1183>      | ACMP1 100uA Current Source Enable         | 0: Disable<br>1: Enable   | Valid                      | Valid |
| <b>LUT3_x Function Select</b>             |                |   |   |                            |       |
| 94  | reg<1184>      | LUT3_3 or DFF6 with nRST/nSET Select      | 0: LUT3_3<br>1: DFF6 with nRST/nSET   | Valid                      | Valid |
|   | reg<1185>      | LUT3_2 or DFF5 with nRST/nSET Select      | 0: LUT3_2<br>1: DFF5 with nRST/nSET   | Valid                      | Valid |
|   | reg<1186>      | LUT3_1 or DFF4 with nRST/nSET Select      | 0: LUT3_1<br>1: DFF4 with nRST/nSET   | Valid                      | Valid |
|   | reg<1187>      | LUT3_0 or DFF3 with nRST/nSET Select      | 0: LUT3_0<br>1: DFF3 with nRST/nSET   | Valid                      | Valid |

| Address                       |                | Signal Function                            | Register Bit Definition              | I <sup>2</sup> C Interface |       |
|-------------------------------|----------------|--|--------------------------------------|----------------------------|-------|
| Byte                          | Register Bit   |  |                                      | Read                       | Write |
| <b>LUT2_x Function Select</b> |                |  |                                      |                            |       |
| 94                            | reg<1188>      | LUT2_3 or PGEN Select                      | 0: LUT2_3<br>1: PGEN                 | Valid                      | Valid |
|                               | reg<1189>      | LUT2_2 or DFF2 Select                      | 0: LUT2_2<br>1: DFF2                 | Valid                      | Valid |
|                               | reg<1190>      | LUT2_1 or DFF1 Select                      | 0: LUT2_1<br>1: DFF1                 | Valid                      | Valid |
|                               | reg<1191>      | LUT2_0 or DFF0 Select                      | 0: LUT2_0<br>1: DFF0                 | Valid                      | Valid |
| <b>LUT4_x Function Select</b> |                |  |                                      |                            |       |
| 95                            | reg<1192>      | LUT4_1 or DLY/CNT1(16bits) Select          | 0: LUT4_1<br>1: DLY/CNT1(16bits)     | Valid                      | Valid |
|                               | reg<1193>      | LUT4_0 or DLY/CNT0(16bits) Select          | 0: LUT4_0<br>1: DLY/CNT0(16bits)     | Valid                      | Valid |
| <b>LUT3_x Function Select</b> |                |  |                                      |                            |       |
| 95                            | reg<1194>      | LUT3_9 or DLY/CNT6(8bits) Select           | 0: LUT3_9<br>1: DLY/CNT6(8bits)      | Valid                      | Valid |
|                               | reg<1195>      | LUT3_8 or DLY/CNT5(8bits) Select           | 0: LUT3_8<br>1: DLY/CNT5(8bits)      | Valid                      | Valid |
|                               | reg<1196>      | LUT3_7 or DLY/CNT4(8bits) Select           | 0: LUT3_7<br>1: DLY/CNT4(8bits)      | Valid                      | Valid |
|                               | reg<1197>      | LUT3_6 or DLY/CNT3(8bits) Select           | 0: LUT3_6<br>1: DLY/CNT3(8bits)      | Valid                      | Valid |
|                               | reg<1198>      | LUT3_5 or DLY/CNT2(8bits) Select           | 0: LUT3_5<br>1: DLY/CNT2(8bits)      | Valid                      | Valid |
|                               | reg<1199>      | LUT3_4 or DFF7 with nRST/nSET Select       | 0: LUT3_4<br>1: DFF7 with nRST/nSET  | Valid                      | Valid |
| <b>LUT2_1 / DFF1</b>          |                |  |                                      |                            |       |
| 96                            | reg<1200>      | LUT2_1 <0>                                 |                                      | Valid                      | Valid |
|                               | reg<1201>      | LUT2_1 <1> / DFF1 Initial Polarity Select  | 0: Low<br>1: High                    | Valid                      | Valid |
|                               | reg<1202>      | LUT2_1 <2> / DFF1 Output Select            | 0: Q output<br>1: QB output          | Valid                      | Valid |
|                               | reg<1203>      | LUT2_1 <3> / DFF1 or Latch Select          | 0: DFF function<br>1: Latch function | Valid                      | Valid |
| <b>LUT2_0 / DFF0</b>          |                |  |                                      |                            |       |
| 96                            | reg<1204>      | LUT2_0 <0>                                 |                                      | Valid                      | Valid |
|                               | reg<1205>      | LUT2_0 <1> / DFF0 Initial Polarity Select  | 0: Low<br>1: High                    | Valid                      | Valid |
|                               | reg<1206>      | LUT2_0 <2> / DFF0 Output Select            | 0: Q output<br>1: QB output          | Valid                      | Valid |
|                               | reg<1207>      | LUT2_0 <3> / DFF0 or Latch Select          | 0: DFF function<br>1: Latch function | Valid                      | Valid |
| <b>LUT2_3 / PGEN</b>          |                |  |                                      |                            |       |
| 97                            | reg<1211:1208> | LUT2_3<3:0> or PGEN 4bit counter data<3:0> |                                      | Valid                      | Valid |

| Address              |                | Signal Function                           | Register Bit Definition                                  | I <sup>2</sup> C Interface |       |
|----------------------|----------------|---|--|----------------------------|-------|
| Byte                 | Register Bit   |   |  | Read                       | Write |
| <b>LUT2_2 / DFF2</b> |                |   |  |                            |       |
| 97                   | reg<1212>      | LUT2_2 <0>                                |  | Valid                      | Valid |
|                      | reg<1213>      | LUT2_2 <1> / DFF2 Initial Polarity Select | 0: Low<br>1: High  | Valid                      | Valid |
|                      | reg<1214>      | LUT2_2 <2> / DFF2 Output Select           | 0: Q output<br>1: QB output                              | Valid                      | Valid |
|                      | reg<1215>      | LUT2_2 <3> / DFF2 or Latch Select         | 0: DFF function<br>1: Latch function                     | Valid                      | Valid |
| <b>LUT3_0 / DFF3</b> |                |   |  |                            |       |
| 98                   | reg<1219:1216> | LUT3_0 <3:0>                              |  | Valid                      | Valid |
|                      | reg<1220>      | LUT3_0 <4> / DFF3 Initial Polarity Select | 0: Low<br>1: High  | Valid                      | Valid |
|                      | reg<1221>      | LUT3_0 <5> / DFF3 nRST or nSET Select     | 0: nRST from Matrix Output<br>1: nSET from Matrix Output | Valid                      | Valid |
|                      | reg<1222>      | LUT3_0 <6> / DFF3 Output Select           | 0: Q output<br>1: QB output                              | Valid                      | Valid |
|                      | reg<1223>      | LUT3_0 <7> / DFF3 or Latch Select         | 0: DFF function<br>1: Latch function                     | Valid                      | Valid |
| <b>LUT3_1 / DFF4</b> |                |   |  |                            |       |
| 99                   | reg<1227:1224> | LUT3_1 <3:0>                              |  | Valid                      | Valid |
|                      | reg<1228>      | LUT3_1 <4> / DFF4 Initial Polarity Select | 0: Low<br>1: High  | Valid                      | Valid |
|                      | reg<1229>      | LUT3_1 <5> / DFF4 nRST or nSET Select     | 0: nRST from Matrix Output<br>1: nSET from Matrix Output | Valid                      | Valid |
|                      | reg<1230>      | LUT3_1 <6> / DFF4 Output Select           | 0: Q output<br>1: QB output                              | Valid                      | Valid |
|                      | reg<1231>      | LUT3_1 <7> / DFF4 or Latch Select         | 0: DFF function<br>1: Latch function                     | Valid                      | Valid |
| <b>LUT3_2 / DFF5</b> |                |   |  |                            |       |
| 9A                   | reg<1235:1232> | LUT3_2 <3:0>                              |  | Valid                      | Valid |
|                      | reg<1236>      | LUT3_2 <4> / DFF5 Initial Polarity Select | 0: Low<br>1: High  | Valid                      | Valid |
|                      | reg<1237>      | LUT3_2 <5> / DFF5 nRST or nSET Select     | 0: nRST from Matrix Output<br>1: nSET from Matrix Output | Valid                      | Valid |
|                      | reg<1238>      | LUT3_2 <6> / DFF5 Output Select           | 0: Q output<br>1: QB output                              | Valid                      | Valid |
|                      | reg<1239>      | LUT3_2 <7> / DFF5 or Latch Select         | 0: DFF function<br>1: Latch function                     | Valid                      | Valid |

| Address                     |                | Signal Function  | Register Bit Definition   | I <sup>2</sup> C Interface |       |
|-----------------------------|----------------|--|---|----------------------------|-------|
| Byte                        | Register Bit   |  |   | Read                       | Write |
| <b>LUT3_3 / DFF6</b>        |                |  |   |                            |       |
| 9B                          | reg<1243:1240> | LUT3_3 <3:0>   |   | Valid                      | Valid |
|                             | reg<1244>      | LUT3_3 <4> / DFF6 Initial Polarity Select  | 0: Low<br>1: High   | Valid                      | Valid |
|                             | reg<1245>      | LUT3_3 <5> / DFF6 nRST or nSET Select  | 0: nRST from Matrix Output<br>1: nSET from Matrix Output  | Valid                      | Valid |
|                             | reg<1246>      | LUT3_3 <6> / DFF6 Output Select  | 0: Q output<br>1: QB output   | Valid                      | Valid |
|                             | reg<1247>      | LUT3_3 <7> / DFF6 or Latch Select  | 0: DFF function<br>1: Latch function  | Valid                      | Valid |
| <b>LUT3_4 / DFF7</b>        |                |  |   |                            |       |
| 9C                          | reg<1251:1248> | LUT3_4 <3:0>   |   | Valid                      | Valid |
|                             | reg<1252>      | LUT3_4 <4> / DFF7 Initial Polarity Select  | 0: Low<br>1: High   | Valid                      | Valid |
|                             | reg<1253>      | LUT3_4 <5> / DFF7 nRST or nSET Select  | 0: nRST from Matrix Output<br>1: nSET from Matrix Output  | Valid                      | Valid |
|                             | reg<1254>      | LUT3_4 <6> / DFF7 Output Select  | 0: Q output<br>1: QB output   | Valid                      | Valid |
|                             | reg<1255>      | LUT3_4 <7> / DFF7 or Latch Select  | 0: DFF function<br>1: Latch function  | Valid                      | Valid |
| <b>LUT3_10 / Pipe Delay</b> |                |  |   |                            |       |
| 9D                          | reg<1259:1256> | LUT3_10 <3:0> / Pipe Delay OUT0 Select   |   | Valid                      | Valid |
|                             | reg<1263:1260> | LUT3_10 <7:4> / Pipe Delay OUT1 Select   |   | Valid                      | Valid |
| 9E                          | reg<1265:1264> | Select the Edge Mode of Programmable Delay & Edge Detector                                   | 00: Rising Edge Detector<br>01: Falling Edge Detector<br>10: Both Edge Detector<br>11: Both Edge Delay  | Valid                      | Valid |
|                             | reg<1267:1266> | Delay Value Select for Programmable Delay & Edge Detector (V <sub>DD</sub> = 3.3 V, typical) | 00: 125ns<br>01: 250ns<br>10: 375ns<br>11: 500ns  | Valid                      | Valid |
|                             | reg<1269:1268> | Crystal oscillator and temp output Power down enable   | 00: No matrix PD<br>01: matrix PD for crystal oscillator<br>10: Reserved matrix PD for temp sensor<br>11: matrix PD for both crystal oscillator and temp sensor | Valid                      | Valid |
|                             | reg<1270>      | LUT3_10 or Pipe Delay Select   | 0: LUT3_10<br>1: Pipe Delay   | Valid                      | Valid |
|                             | reg<1271>      | Pipe Delay OUT1 Polarity Select  | 0: Non-inverted<br>1: Inverted  | Valid                      | Valid |

| Address         |                | Signal Function   | Register Bit Definition  | I <sup>2</sup> C Interface |       |
|-----------------|----------------|---|--|----------------------------|-------|
| Byte            | Register Bit   |   |  | Read                       | Write |
| <b>DLY/CNT2</b> |                |   |  |                            |       |
| 9F              | reg<1273:1272> | DLY2 Mode Select or Asynchronous CNT2 Reset                   | 00: On both Falling and Rising Edges (for Delay & Counter Reset)<br>01: on Falling Edge only (for Delay & Counter Reset)<br>10: on Rising Edge only (for Delay & Counter Reset)<br>11: No Delay on either Falling or Rising Edges / High Level Reset | Valid                      | Valid |
|                 | reg<1276:1274> | DLY/CNT2 Clock Source Select                                  | 000: Internal OSC clock<br>001: OSC/4<br>010: OSC/12<br>011: OSC/24<br>100: OSC/64<br>101: 25MHz OSC clock<br>110: External Clock<br>111: Counter1 Overflow  | Valid                      | Valid |
|                 | reg<1277>      | DLY/CNT2 Output Selection if DLY/CNT2 Mode Selection is "11". | 0: Default Output<br>1: Edge Detector Output   | Valid                      | Valid |
|                 | reg<1279:1278> | DLY/CNT2 Mode Selection                                       | 00: Delay mode<br>01: One Shot<br>10: Freq. Detect<br>11: Counter mode   | Valid                      | Valid |
| <b>DLY/CNT3</b> |                |   |  |                            |       |
| A0              | reg<1281:1280> | DLY3 Mode Select or Asynchronous CNT3 Reset                   | 00: On both Falling and Rising Edges (for Delay & Counter Reset)<br>01: on Falling Edge only (for Delay & Counter Reset)<br>10: on Rising Edge only (for Delay & Counter Reset)<br>11: No Delay on either Falling or Rising Edges / High Level Reset | Valid                      | Valid |
|                 | reg<1284:1282> | DLY/CNT3 Clock Source Select                                  | 000: Internal OSC clock<br>001: OSC/4<br>010: OSC/12<br>011: OSC/24<br>100: OSC/64<br>101: 25MHz OSC clock<br>110: External Clock<br>111: Counter2 Overflow  | Valid                      | Valid |
|                 | reg<1285>      | DLY/CNT3 Output Selection if DLY/CNT3 Mode Selection is "11". | 0: Default Output<br>1: Edge Detector Output   | Valid                      | Valid |
|                 | reg<1287:1286> | DLY/CNT3 Mode Selection                                       | 00: Delay mode<br>01: One Shot<br>10: Freq. Detect<br>11: Counter mode   | Valid                      | Valid |

| Address         |                | Signal Function   | Register Bit Definition  | I <sup>2</sup> C Interface |       |
|-----------------|----------------|---|--|----------------------------|-------|
| Byte            | Register Bit   |   |  | Read                       | Write |
| <b>DLY/CNT4</b> |                |   |  |                            |       |
| A1              | reg<1289:1288> | DLY4 Mode Select or Asynchronous CNT4 Reset                   | 00: On both Falling and Rising Edges (for Delay & Counter Reset)<br>01: on Falling Edge only (for Delay & Counter Reset)<br>10: on Rising Edge only (for Delay & Counter Reset)<br>11: No Delay on either Falling or Rising Edges / High Level Reset | Valid                      | Valid |
|                 | reg<1292:1290> | DLY/CNT4 Clock Source Select                                  | 000: Internal OSC clock<br>001: OSC/4<br>010: OSC/12<br>011: OSC/24<br>100: OSC/64<br>101: 25MHz OSC clock<br>110: External Clock<br>111: Counter3 Overflow  | Valid                      | Valid |
|                 | reg<1293>      | DLY/CNT4 Output Selection if DLY/CNT4 Mode Selection is "11". | 0: Default Output<br>1: Edge Detector Output   | Valid                      | Valid |
|                 | reg<1295:1294> | DLY/CNT4 Mode Selection                                       | 00: Delay mode<br>01: One Shot<br>10: Freq. Detect<br>11: Counter mode   | Valid                      | Valid |
| <b>DLY/CNT5</b> |                |   |  |                            |       |
| A2              | reg<1297:1296> | DLY5 Mode Select or Asynchronous CNT5 Reset                   | 00: On both Falling and Rising Edges (for Delay & Counter Reset)<br>01: on Falling Edge only (for Delay & Counter Reset)<br>10: on Rising Edge only (for Delay & Counter Reset)<br>11: No Delay on either Falling or Rising Edges / High Level Reset | Valid                      | Valid |
|                 | reg<1300:1298> | DLY/CNT5 Clock Source Select                                  | 000: Internal OSC clock<br>001: OSC/4<br>010: OSC/12<br>011: OSC/24<br>100: OSC/64<br>101: 25MHz OSC clock<br>110: External Clock<br>111: Counter4 Overflow  | Valid                      | Valid |
|                 | reg<1301>      | DLY/CNT5 Output Selection if DLY/CNT5 Mode Selection is "11"  | 0: Default Output<br>1: Edge Detector Output   | Valid                      | Valid |
|                 | reg<1303:1302> | DLY/CNT5 Mode Selection                                       | 00: Delay mode<br>01: One Shot<br>10: Freq. Detect<br>11: Counter mode   | Valid                      | Valid |

| Address         |                | Signal Function   | Register Bit Definition  | I <sup>2</sup> C Interface |       |
|-----------------|----------------|---|--|----------------------------|-------|
| Byte            | Register Bit   |   |  | Read                       | Write |
| <b>DLY/CNT6</b> |                |   |  |                            |       |
| A3              | reg<1305:1304> | DLY6 Mode Select or Asynchronous CNT6 Reset                     | 00: On both Falling and Rising Edges (for Delay & Counter Reset)<br>01: on Falling Edge only (for Delay & Counter Reset)<br>10: on Rising Edge only (for Delay & Counter Reset)<br>11: No Delay on either Falling or Rising Edges / High Level Reset | Valid                      | Valid |
|                 | reg<1308:1306> | DLY/CNT6 Clock Source Select                                    | 000: Internal OSC clock<br>001: OSC/4<br>010: OSC/12, 011: OSC/24<br>100: OSC/64<br>101: 25MHz OSC clock<br>110: External Clock<br>111: Counter5 Overflow  | Valid                      | Valid |
|                 | reg<1309>      | DLY/CNT6 Output Selection if DLY/CNT6 Mode Selection is "11".   | 0: Default Output<br>1: Edge Detector Output   | Valid                      | Valid |
|                 | reg<1311:1310> | DLY/CNT6 Mode Selection   | 00: Delay mode<br>01: One Shot<br>10: Freq. Detect<br>11: Counter mode   | Valid                      | Valid |
| <b>DLY/CNT0</b> |                |   |  |                            |       |
| A4              | reg<1313:1312> | DLY0 Mode Select or Asynchronous CNT0 Reset (16bits)            | 00: On both Falling and Rising Edges (for Delay & Counter Reset)<br>01: on Falling Edge only (for Delay & Counter Reset)<br>10: on Rising Edge only (for Delay & Counter Reset)<br>11: No Delay on either Falling or Rising Edges / High Level Reset | Valid                      | Valid |
|                 | reg<1316:1314> | DLY/CNT0 Clock Source Select (16bits)                           | 000: Internal OSC clock<br>001: OSC/4<br>010: OSC/12<br>011: OSC/24<br>100: OSC/64<br>101: 25MHz OSC clock<br>110: External Clock<br>111: Counter6 Overflow  | Valid                      | Valid |
|                 | reg<1317>      | CNT0/FSM0's Q are Set to data or Reset to 0s Selection (16bits) | 0: Reset to 0s<br>1: Set to data (Reg<1583:1576, 1591:1584>)   | Valid                      | Valid |
|                 | reg<1319:1318> | DLY/CNT0 Mode Selection (16bits)                                | 00: Delay mode<br>01: One Shot<br>10: Freq. Detect<br>11: Counter mode   | Valid                      | Valid |

| Address   |                | Signal Function   | Register Bit Definition  | I <sup>2</sup> C Interface |       |
|---|----------------|---|--|----------------------------|-------|
| Byte  | Register Bit   |   |  | Read                       | Write |
| <b>DLY/CNT1</b>   |                |   |  |                            |       |
| A5  | reg<1321:1320> | DLY1 Mode Select or Asynchronous CNT1 Reset (16bits)                  | 00: On both Falling and Rising Edges (for Delay & Counter Reset)<br>01: on Falling Edge only (for Delay & Counter Reset)<br>10: on Rising Edge only (for Delay & Counter Reset)<br>11: No Delay on either Falling or Rising Edges / High Level Reset | Valid                      | Valid |
|   | reg<1324:1322> | DLY/CNT1 Clock Source Select (16bits)                                 | 000: Internal OSC clock<br>001: OSC/4<br>010: OSC/12<br>011: OSC/24<br>100: OSC/64<br>101: 25MHz OSC clock<br>110: External Clock<br>111: Counter0 Overflow  | Valid                      | Valid |
|   | reg<1325>      | CNT1/FSM1's Q are Set to data or Reset to 0s Selection (16bits)       | 0: Reset to 0s<br>1: Set to data (Reg<1599:1592, 1607:1600>)   | Valid                      | Valid |
|   | reg<1327:1326> | DLY/CNT1 Mode Selection (16bits)                                      | 00: Delay mode<br>01: One Shot<br>10: Freq. Detect<br>11: Counter mode   | Valid                      | Valid |
| <b>DLY/CNTx One-Shot / Freq. Detect Output Polarity</b> |                |   |  |                            |       |
| A6  | reg<1328>      | DLY/CNT0 stop & restarting enable in CNT mode when new data is loaded | 0: Disable<br>1: Enable  | Valid                      | Valid |
|   | reg<1329>      | Select the Polarity of DLY/CNT6's One Shot / Freq. Detect Output      | 0: Default Output<br>1: Inverted Output  | Valid                      | Valid |
|   | reg<1330>      | Select the Polarity of DLY/CNT5's One Shot / Freq. Detect Output      | 0: Default Output<br>1: Inverted Output  | Valid                      | Valid |
|   | reg<1331>      | Select the Polarity of DLY/CNT4's One Shot / Freq. Detect Output      | 0: Default Output<br>1: Inverted Output  | Valid                      | Valid |
|   | reg<1332>      | Select the Polarity of DLY/CNT3's One Shot / Freq. Detect Output      | 0: Default Output<br>1: Inverted Output  | Valid                      | Valid |
|   | reg<1333>      | Select the Polarity of DLY/CNT2's One Shot / Freq. Detect Output      | 0: Default Output<br>1: Inverted Output  | Valid                      | Valid |
|   | reg<1334>      | Select the Polarity of DLY/CNT1's One Shot / Freq. Detect Output      | 0: Default Output<br>1: Inverted Output  | Valid                      | Valid |
|   | reg<1335>      | Select the Polarity of DLY/CNT0's One Shot / Freq. Detect Output      | 0: Default Output<br>1: Inverted Output  | Valid                      | Valid |
| <b>Oscillator</b>                                       |                |   |  |                            |       |
| A7  | reg<1337:1336> | OSC Clock Pre-divider for 25MHz                                       | 00: Div1<br>01: Div2<br>10: Div4<br>11: Div8   | Valid                      | Valid |
|   | reg<1338>      | OSC Fast Start-Up Enable for 25kHz/2MHz                               | 0: Disable<br>1: Enable  | Valid                      | Valid |
|   | reg<1340:1339> | OSC Clock Pre-divider for 25kHz/2MHz                                  | 00: Div1<br>01: Div2<br>10: Div4<br>11: Div8   | Valid                      | Valid |



| Address |                                   | Signal Function   | Register Bit Definition   | I <sup>2</sup> C Interface |       |
|---------|-----------------------------------|---|---|----------------------------|-------|
| Byte    | Register Bit                      |   |   | Read                       | Write |
| A7      | reg<1341>                         | Force 25MHz Oscillator ON   | 0: Auto Power ON (If any CNT/DLY use 25MHz source)<br>1: Force Power ON   | Valid                      | Valid |
|         | reg<1342>                         | Oscillator (25KHz: Ring OSC, 2M: RC-OSC) Select                         | 0: 25kHz Ring OSC<br>1: 2MHz RC-OSC   | Valid                      | Valid |
|         | reg<1343>                         | Force 25kHz/2MHz Oscillator ON  | 0: Auto Power ON (if any CNT/DLY use 25k/2MHz source)<br>1: Force Power ON                                      | Valid                      | Valid |
| A8      | reg<1346:1344>                    | Internal OSC 25kHz/2MHz Frequency Divider Control for matrix input <28> | 000: OSC/1<br>001: OSC/2<br>010: OSC/3<br>011: OSC/4<br>100: OSC/8<br>101: OSC/12<br>110: OSC/24<br>111: OSC/64 | Valid                      | Valid |
|         | reg<1349:1347>                    | Internal OSC 25kHz/2MHz Frequency Divider Control for matrix input <27> | 000: OSC/1<br>001: OSC/2<br>010: OSC/3<br>011: OSC/4<br>100: OSC/8<br>101: OSC/12<br>110: OSC/24<br>111: OSC/64 | Valid                      | Valid |
|         | reg<1350>                         | OSC Clock 25kHz/2MHz to matrix input <28> enable                        | 0: Disable<br>1: Enable   | Valid                      | Valid |
|         | reg<1351>                         | OSC Clock 25kHz/2MHz to matrix input <27> enable                        | 0: Disable<br>1: Enable   | Valid                      | Valid |
|         | ASM 8-to-1 MUX's 3 selection bits |   |   |                            |       |
| A9      | reg<1354:1352>                    | ASM_reg_init<2:0> for ASM state default setup bits                      |   | Valid                      | Valid |
|         | reg<1355>                         | External oscillator pin selection for 25kHz/2MHz                        | 0: IO17<br>1: IO15  | Valid                      | Valid |
|         | reg<1356>                         | OSC Clock 25 MHz to matrix input <29> enable                            | 0: Disable<br>1: Enable   | Valid                      | Valid |
|         | reg<1357>                         | External Clock Source Select instead of 25MHz                           | 0: Internal Oscillator<br>1: External Clock from IO14   | Valid                      | Valid |
|         | reg<1358>                         | External Clock Source Select instead of 25kHz/2MHz                      | 0: Internal Oscillator<br>1: External Clock from IO15 or IO17   | Valid                      | Valid |
|         | reg<1359>                         | DLY/CNT1 stop & restarting enable in CNT mode when new data is loaded   | 0: Disable<br>1: Enable   | Valid                      | Valid |
| AA      | reg<1362:1360>                    | ASM_state0_dec8x1_EN1   |   | Valid                      | Valid |
|         | reg<1363>                         | Reserved  |   | Valid                      | Valid |
|         | reg<1366:1364>                    | ASM_state0_dec8x1_EN0   |   | Valid                      | Valid |
|         | reg<1367>                         | Reserved  |   | Valid                      | Valid |
| AB      | reg<1370:1368>                    | ASM_state1_dec8x1_EN0   |   | Valid                      | Valid |
|         | reg<1371>                         | Reserved  |   | Valid                      | Valid |
|         | reg<1374:1372>                    | ASM_state0_dec8x1_EN2   |   | Valid                      | Valid |
|         | reg<1375>                         | Reserved  |   | Valid                      | Valid |

| Address |                | Signal Function       | Register Bit Definition | I <sup>2</sup> C Interface |       |
|---------|----------------|-----------------------|-------------------------|----------------------------|-------|
| Byte    | Register Bit   |                       |                         | Read                       | Write |
| AC      | reg<1378:1376> | ASM_state1_dec8x1_EN2 |                         | Valid                      | Valid |
|         | reg<1379>      | Reserved              |                         | Valid                      | Valid |
| AC      | reg<1382:1380> | ASM_state1_dec8x1_EN1 |                         | Valid                      | Valid |
|         | reg<1383>      | Reserved              |                         | Valid                      | Valid |
| AD      | reg<1386:1384> | ASM_state2_dec8x1_EN1 |                         | Valid                      | Valid |
|         | reg<1387>      | Reserved              |                         | Valid                      | Valid |
|         | reg<1390:1388> | ASM_state2_dec8x1_EN0 |                         | Valid                      | Valid |
|         | reg<1391>      | Reserved              |                         | Valid                      | Valid |
| AE      | reg<1394:1392> | ASM_state3_dec8x1_EN0 |                         | Valid                      | Valid |
|         | reg<1395>      | Reserved              |                         | Valid                      | Valid |
|         | reg<1398:1396> | ASM_state2_dec8x1_EN2 |                         | Valid                      | Valid |
|         | reg<1399>      | Reserved              |                         | Valid                      | Valid |
| AF      | reg<1402:1400> | ASM_state3_dec8x1_EN2 |                         | Valid                      | Valid |
|         | reg<1403>      | Reserved              |                         | Valid                      | Valid |
|         | reg<1406:1404> | ASM_state3_dec8x1_EN1 |                         | Valid                      | Valid |
|         | reg<1407>      | Reserved              |                         | Valid                      | Valid |
| B0      | reg<1410:1408> | ASM_state4_dec8x1_EN1 |                         | Valid                      | Valid |
|         | reg<1411>      | Reserved              |                         | Valid                      | Valid |
|         | reg<1414:1412> | ASM_state4_dec8x1_EN0 |                         | Valid                      | Valid |
|         | reg<1415>      | Reserved              |                         | Valid                      | Valid |
| B1      | reg<1418:1416> | ASM_state5_dec8x1_EN0 |                         | Valid                      | Valid |
|         | reg<1419>      | Reserved              |                         | Valid                      | Valid |
|         | reg<1422:1420> | ASM_state4_dec8x1_EN2 |                         | Valid                      | Valid |
|         | reg<1423>      | Reserved              |                         | Valid                      | Valid |
| B2      | reg<1426:1424> | ASM_state5_dec8x1_EN2 |                         | Valid                      | Valid |
|         | reg<1427>      | Reserved              |                         | Valid                      | Valid |
|         | reg<1430:1428> | ASM_state5_dec8x1_EN1 |                         | Valid                      | Valid |
|         | reg<1431>      | Reserved              |                         | Valid                      | Valid |
| B3      | reg<1434:1432> | ASM_state6_dec8x1_EN1 |                         | Valid                      | Valid |
|         | reg<1435>      | Reserved              |                         | Valid                      | Valid |
|         | reg<1438:1436> | ASM_state6_dec8x1_EN0 |                         | Valid                      | Valid |
|         | reg<1439>      | Reserved              |                         | Valid                      | Valid |
| B4      | reg<1442:1440> | ASM_state7_dec8x1_EN0 |                         | Valid                      | Valid |
|         | reg<1443>      | Reserved              |                         | Valid                      | Valid |
|         | reg<1446:1444> | ASM_state6_dec8x1_EN2 |                         | Valid                      | Valid |
|         | reg<1447>      | Reserved              |                         | Valid                      | Valid |
| B5      | reg<1450:1448> | ASM_state7_dec8x1_EN2 |                         | Valid                      | Valid |
|         | reg<1451>      | Reserved              |                         | Valid                      | Valid |
|         | reg<1454:1452> | ASM_state7_dec8x1_EN1 |                         | Valid                      | Valid |
|         | reg<1455>      | Reserved              |                         | Valid                      | Valid |

| Address                       |                | Signal Function  | Register Bit Definition   | I <sup>2</sup> C Interface |       |
|-------------------------------|----------------|--|---|----------------------------|-------|
| Byte                          | Register Bit   |  |   | Read                       | Write |
| <b>Filter / Edge Detector</b> |                |  |   |                            |       |
| B6                            | reg<1457:1456> | Select the edge mode of Edge Detector_1  | 00: Rising Edge<br>01: Falling Edge<br>10: Both Edge<br>11: Delay   | Valid                      | Valid |
|                               | reg<1458>      | Filter_1/Edge Detector_1 output Polarity Select  | 0: Filter_1 output<br>1: Filter_1 output inverted   | Valid                      | Valid |
|                               | reg<1459>      | Filter_1 or Edge Detector_1 Select<br>(Typ. 30 ns @V <sub>DD</sub> = 3.3 V)              | 0: Filter_1<br>1: Edge Detector_1   | Valid                      | Valid |
|                               | reg<1461:1460> | Select the edge mode of Edge Detector_0  | 00: Rising Edge<br>01: Falling Edge<br>10: Both Edge<br>11: Delay   | Valid                      | Valid |
|                               | reg<1462>      | Filter_0/Edge Detector_0 output Polarity Select  | 0: Filter_0 output<br>1: Filter_0 output inverted   | Valid                      | Valid |
|                               | reg<1463>      | Filter_0 or Edge Detector_0 Select<br>(Typ. 47 ns @V <sub>DD</sub> = 3.3 V)              | 0: Filter_0<br>1: Edge Detector_0   | Valid                      | Valid |
| <b>VREF / Bandgap</b>         |                |  |   |                            |       |
| B7                            | [1464]         | Enable temp. sensor  | 0: Disable<br>1: Enable   | Valid                      | Valid |
|                               | [1466:1465]    | Bandgap OK for ACMP Output Delay Time Select, the start Time is "Resetb_core go to High" | 00 or 10 with registers [1474:1472] = 100 (WideV <sub>DD</sub> range, 1.7V~5.5V):<br>Auto-delay mode, 550 uS for V <sub>DD</sub> < 2.7V & 100 uS for 2.7 V < V <sub>DD</sub><br>00 or 10 with registers [1474:1472] = X10:<br>Always 100 uS delay for 2.7 V < V <sub>DD</sub><br>00 or 10 with registers [1474:1472] = XX1:<br>Always 550uS delay for V <sub>DD</sub> < 2.7 V,<br>01: Always 550us delay regardless of registers [1474:1472] & V <sub>DD</sub> ,<br>11: Always 100 us delay with 2.7V < V <sub>DD</sub> regardless of registers [1474:1472] | Valid                      | Valid |
|                               | reg<1467>      | Reserved   |   | Valid                      | Valid |
|                               | reg<1468>      | Reserved   |   | Valid                      | Valid |
|                               | reg<1469>      | Reserved   |   | Valid                      | Valid |
|                               | reg<1470>      | Reserved   |   | Valid                      | Valid |
|                               | reg<1471>      | Two consecutive DFFs enable for SM   | 0: Disable<br>1: Enable   | Valid                      | Valid |

| Address |                | Signal Function   | Register Bit Definition   | I <sup>2</sup> C Interface |         |
|---------|----------------|---|---|----------------------------|---------|
| Byte    | Register Bit   |   |   | Read                       | Write   |
| B8      | reg<1474:1472> | Power divider ( $V_{DD}/3$ , $V_{DD}/4$ ) ON/OFF  | 0XX: Power divider off (if there is no use of $V_{DD}/3$ , $V_{DD}/4$ @ ACMP negative in)<br>100: Reserved<br>X10: Reserved<br>XX1:Reserved | Valid                      | Valid   |
|         | reg<1475>      | $V_{DD}$ Bypass Enable when device power is 1.8 V   | 0: Regulator Auto ON<br>1: Regulator OFF ( $V_{DD}$ Bypass)   | Valid                      | Valid   |
|         | reg<1476>      | Force Bandgap ON  | 0: Auto-Mode<br>1: Enable (if chip is Power Down, the Bandgap will Power Down even if it is Set to 1).                                      | Valid                      | Valid   |
|         | reg<1477>      | NVM Power Down  | 0: None (Or Programming Enable)<br>1: Power Down (Or Programming Disable)   | Valid                      | Valid   |
|         | reg<1478>      | Temp output range control (temp. detector is not available)                                 | 0: 0.62 V ~ 0.99 V (TYP)<br>1: 0.75 V ~ 1.2 V (TYP)   | Valid                      | Valid   |
|         | reg<1479>      | GPIO Quick Charge Enable  | 0: Disable<br>1: Enable   | Valid                      | Valid   |
| B9      | reg<1482:1480> | VREF1 Output Source Select  | 000: ACMP2 VREF<br>001: ACMP3 VREF<br>100: $V_{DD}/2$<br>101: $V_{DD}/3$<br>110: $V_{DD}/4$<br>111: Hi-Z                                    | Valid                      | Valid   |
|         | reg<1483>      | Reserved  |   | Valid                      | Valid   |
|         | reg<1486:1484> | VREF0 Output Source Select  | 000: ACMP0 VREF<br>001: ACMP1 VREF<br>100: $V_{DD}/2$<br>101: $V_{DD}/3$<br>110: $V_{DD}/4$<br>111: Hi-Z                                    | Valid                      | Valid   |
|         | reg<1487>      | Reserved  |   | Valid                      | Valid   |
| BA      | reg<1488>      | Reserved  |   | Valid                      | Valid   |
|         | reg<1489>      | Wake time Selection in Wake Sleep Mode  | 0: short wake time<br>1: normal wake time   | Valid                      | Valid   |
|         | reg<1490>      | ACMP0 Wake & Sleep function Enable  | 0: Disable<br>1: Enable   | Valid                      | Valid   |
|         | reg<1491>      | ACMP1 Wake & Sleep function Enable  | 0: Disable<br>1: Enable   | Valid                      | Valid   |
|         | reg<1492>      | ACMP2 Wake & Sleep function Enable  | 0: Disable<br>1: Enable   | Valid                      | Valid   |
|         | reg<1493>      | ACMP3 Wake & Sleep function Enable  | 0: Disable<br>1: Enable   | Valid                      | Valid   |
|         | reg<1494>      | Wake Sleep Output State When WS Oscillator is Power Down if DLY/CNT0 Mode Selection is "11" | 0: Low<br>1: High   | Valid                      | Valid   |
|         | reg<1495>      | Wake Sleep Ratio Control Mode Selection if DLY/CNT0 Mode Selection is "11"                  | 0: Default Mode<br>1: Wake Sleep Ratio Control Mode   | Valid                      | Valid   |
| BB      | reg<1503:1496> | Reserved  |   | Invalid                    | Invalid |
| BC      | reg<1511:1504> | Reserved  |   | Invalid                    | Invalid |
| BD      | reg<1519:1512> | Reserved  |   | Invalid                    | Invalid |

| Address                           |                | Signal Function   | Register Bit Definition  | I <sup>2</sup> C Interface |         |
|-----------------------------------|----------------|---|--|----------------------------|---------|
| Byte                              | Register Bit   |   |  | Read                       | Write   |
| BE                                | reg<1527:1520> | Reserved  |  | Invalid                    | Invalid |
| BF                                | reg<1535:1528> | Reserved  |  | Invalid                    | Invalid |
| <b>LUT / DLY/CNT Control Data</b> |                |   |  |                            |         |
| C0                                | reg<1543:1536> | LUT3_5 <7:0> or DLY/CNT2 Control Data                                 | 1 - 255 (Delay Time = [Counter Control Data + 1] / Freq)   | Valid                      | Valid   |
| C1                                | reg<1551:1544> | LUT3_6 <7:0> or DLY/CNT3 Control Data                                 | 1 - 255 (Delay Time = [Counter Control Data + 1] / Freq)   | Valid                      | Valid   |
| C2                                | reg<1559:1552> | LUT3_7 <7:0> or DLY/CNT4 Control Data                                 | 1 - 255 (Delay Time = [Counter Control Data + 1] / Freq)   | Valid                      | Valid   |
| C3                                | reg<1567:1560> | LUT3_8 <7:0> or DLY/CNT5 Control Data                                 | 1 - 255 (Delay Time = [Counter Control Data + 1] / Freq)   | Valid                      | Valid   |
| C4                                | reg<1575:1568> | LUT3_9 <7:0> or DLY/CNT6 Control Data                                 | 1 - 255 (Delay Time = [Counter Control Data + 1] / Freq)   | Valid                      | Valid   |
| C5                                | reg<1583:1576> | LUT4_0 <15:0> or DLY/CNT0 (16bits, <15:0> = <1591:1576>) Control Data | 1 - 65535 (Delay Time = [Counter Control Data + 2] / Freq)   | Valid                      | Valid   |
| C6                                | reg<1591:1584> |   |  | Valid                      | Valid   |
| C7                                | reg<1599:1592> | LUT4_1 <15:0> or DLY/CNT1 (16bits, <15:0> = <1607:1592>) Control Data | 1 - 65535 (Delay Time = [Counter Control Data + 2] / Freq)   | Valid                      | Valid   |
| C8                                | reg<1607:1600> |   |  | Valid                      | Valid   |
| C9                                | reg<1615:1608> | PGEN pattern data <15:0> = <1623:1608>                                |  | Valid                      | Valid   |
| CA                                | reg<1623:1616> |   |  | Valid                      | Valid   |
| <b>ACMP0</b>                      |                |   |  |                            |         |
| CB                                | reg<1628:1624> | ACMP0-IN Voltage Select   | 00000: 50 mV    00001: 100 mV<br>00010: 150 mV    00011: 200 mV<br>00100: 250 mV    00101: 300 mV<br>00110: 350 mV    00111: 400 mV<br>01000: 450 mV    01001: 500 mV<br>01010: 550 mV    01011: 600 mV<br>01100: 650 mV    01101: 700 mV<br>01110: 750 mV    01111: 800 mV<br>10000: 850 mV    10001: 900 mV<br>10010: 950 mV    10011: 1 V<br>10100: 1.05 V    10101: 1.1 V<br>10110: 1.15 V    10111: 1.2 V<br>11000: V <sub>DD</sub> /3    11001: V <sub>DD</sub> /4<br>11010: IO9: EXT_VREF<br>11011: IO5: ACMP0-<br>11100: IO9: EXT_VREF/2<br>11101: IO5: ACMP0-/2<br>11110: Reserved<br>11111: Reserved | Valid                      | Valid   |
|                                   | reg<1630:1629> | ACMP0 Positive Input Divider  | 00: 1.0X<br>01: 0.5X<br>10: 0.33X<br>11: 0.25X   | Valid                      | Valid   |
|                                   | reg<1631>      | ACMP0 Low Bandwidth (MAX: 1MHz) Enable                                | 0: OFF<br>1: ON  | Valid                      | Valid   |

| Address      |                | Signal Function                        | Register Bit Definition   | I <sup>2</sup> C Interface |       |
|--------------|----------------|--|---|----------------------------|-------|
| Byte         | Register Bit   |  |   | Read                       | Write |
| <b>ACMP1</b> |                |  |   |                            |       |
| CC           | reg<1636:1632> | ACMP1-IN Voltage Select                | 00000: 50 mV    00001: 100 mV<br>00010: 150 mV    00011: 200 mV<br>00100: 250 mV    00101: 300 mV<br>00110: 350 mV    00111: 400 mV<br>01000: 450 mV    01001: 500 mV<br>01010: 550 mV    01011: 600 mV<br>01100: 650 mV    01101: 700 mV<br>01110: 750 mV    01111: 800 mV<br>10000: 850 mV    10001: 900 mV<br>10010: 950 mV    10011: 1 V<br>10100: 1.05 V    10101: 1.1 V<br>10110: 1.15 V    10111: 1.2 V<br>11000: V <sub>DD</sub> /3    11001: V <sub>DD</sub> /4<br>11010: IO9: EXT_VREF<br>11011: Reserved<br>11100: IO9: EXT_VREF/2<br>11101: Reserved<br>11110: Reserved<br>11111: Reserved            | Valid                      | Valid |
|              | reg<1638:1637> | ACMP1 Positive Input Divider           | 00: 1.0X<br>01: 0.5X<br>10: 0.33X<br>11: 0.25X  | Valid                      | Valid |
|              | reg<1639>      | ACMP1 Low Bandwidth (MAX: 1MHz) Enable | 0: OFF<br>1: ON   | Valid                      | Valid |
| <b>ACMP2</b> |                |  |   |                            |       |
| CD           | reg<1644:1640> | ACMP2-IN Voltage Select                | 00000: 50 mV    00001: 100 mV<br>00010: 150 mV    00011: 200 mV<br>00100: 250 mV    00101: 300 mV<br>00110: 350 mV    00111: 400 mV<br>01000: 450 mV    01001: 500 mV<br>01010: 550 mV    01011: 600 mV<br>01100: 650 mV    01101: 700 mV<br>01110: 750 mV    01111: 800 mV<br>10000: 850 mV    10001: 900 mV<br>10010: 950 mV    10011: 1 V<br>10100: 1.05 V    10101: 1.1 V<br>10110: 1.15 V    10111: 1.2 V<br>11000: V <sub>DD</sub> /3    11001: V <sub>DD</sub> /4<br>11010: IO9: EXT_VREF<br>11011: IO11: ACMP2-<br>11100: IO9: EXT_VREF /2<br>11101: IO11: ACMP2-/2<br>11110: Reserved<br>11111: Reserved | Valid                      | Valid |
|              | reg<1646:1645> | ACMP2 Positive Input Divider           | 00: 1.0X<br>01: 0.5X<br>10: 0.33X<br>11: 0.25X  | Valid                      | Valid |
|              | reg<1647>      | ACMP2 Low Bandwidth (MAX: 1MHz) Enable | 0: OFF<br>1: ON   | Valid                      | Valid |

| Address      |                | Signal Function  | Register Bit Definition  | I <sup>2</sup> C Interface |       |
|--------------|----------------|--|--|----------------------------|-------|
| Byte         | Register Bit   |  |  | Read                       | Write |
| <b>ACMP3</b> |                |  |  |                            |       |
| CE           | reg<1652:1648> | ACMP3-IN Voltage Select  | 00000: 50 mV    00001: 100 mV<br>00010: 150 mV    00011: 200 mV<br>00100: 250 mV    00101: 300 mV<br>00110: 350 mV    00111: 400 mV<br>01000: 450 mV    01001: 500 mV<br>01010: 550 mV    01011: 600 mV<br>01100: 650 mV    01101: 700 mV<br>01110: 750 mV    01111: 800 mV<br>10000: 850 mV    10001: 900 mV<br>10010: 950 mV    10011: 1 V<br>10100: 1.05 V    10101: 1.1 V<br>10110: 1.15 V    10111: 1.2 V<br>11000: V <sub>DD</sub> /3    11001: V <sub>DD</sub> /4<br>11010: IO9: EXT_VREF<br>11011: IO11: ACMP3-<br>11100: IO9: EXT_VREF/2<br>11101: IO11: ACMP3-/2<br>11110: Reserved<br>11111: Reserved | Valid                      | Valid |
|              | reg<1654:1653> | ACMP3 Positive Input Divider   | 00: 1.0X<br>01: 0.5X<br>10: 0.33X<br>11: 0.25X   | Valid                      | Valid |
|              | reg<1655>      | ACMP3 Low Bandwidth (MAX: 1MHz) Enable   | 0: OFF<br>1: ON  | Valid                      | Valid |
| <b>Misc.</b> |                |  |  |                            |       |
| CF           | reg<1656>      | Reserved   |  | Valid                      | Valid |
|              | reg<1657>      | Switch from "Matrix OUT: OSC 25MHz PD" to "Matrix OUT: OSC 25MHz Force On"           | 0: OSC PD<br>1: OSC Force On (Matrix Output <59>)  | Valid                      | Valid |
|              | reg<1658>      | Switch from "Matrix OUT: OSC 25kHz/2MHz PD" to "Matrix OUT: OSC 25kHz/2MHz Force On" | 0: OSC PD<br>1: OSC Force On (Matrix Output <58>)  | Valid                      | Valid |
|              | reg<1659>      | Reserved   |  | Valid                      | Valid |
| CF           | reg<1660>      | Reserved   |  | Valid                      | Valid |
|              | reg<1661>      | Reserved   |  | Valid                      | Valid |
|              | reg<1662>      | I <sup>2</sup> C reset bit with reloading NVM into Data register                     | 0: Keep existing condition<br>1: Reset execution   | Valid                      | Valid |
|              | reg<1663>      | Reserved   |  | Valid                      | Valid |
| D0           | reg<1671:1664> | RAM 8 outputs for ASM-state0   |  | Valid                      | Valid |
| D1           | reg<1679:1672> | RAM 8 outputs for ASM-state1   |  | Valid                      | Valid |
| D2           | reg<1687:1680> | RAM 8 outputs for ASM-state2   |  | Valid                      | Valid |
| D3           | reg<1695:1688> | RAM 8 outputs for ASM-state3   |  | Valid                      | Valid |
| D4           | reg<1703:1696> | RAM 8 outputs for ASM-state4   |  | Valid                      | Valid |
| D5           | reg<1711:1704> | RAM 8 outputs for ASM-state5   |  | Valid                      | Valid |
| D6           | reg<1719:1712> | RAM 8 outputs for ASM-state6   |  | Valid                      | Valid |
| D7           | reg<1727:1720> | RAM 8 outputs for ASM-state7   |  | Valid                      | Valid |
| D8           | reg<1735:1728> | User configurable RAM / OTP Byte 0   |  | Valid                      | Valid |
| D9           | reg<1743:1736> | User configurable RAM / OTP Byte 1   |  | Valid                      | Valid |
| DA           | reg<1751:1744> | User configurable RAM / OTP Byte 2   |  | Valid                      | Valid |

| Address             |                | Signal Function  | Register Bit Definition   | I <sup>2</sup> C Interface |         |
|---------------------|----------------|--|---|----------------------------|---------|
| Byte                | Register Bit   |  |   | Read                       | Write   |
| DB                  | reg<1759:1752> | User configurable RAM / OTP Byte 3                         |   | Valid                      | Valid   |
| DC                  | reg<1767:1760> | User configurable RAM / OTP Byte 4                         |   | Valid                      | Valid   |
| DD                  | reg<1775:1768> | User configurable RAM / OTP Byte 5                         |   | Valid                      | Valid   |
| DE                  | reg<1783:1776> | User configurable RAM / OTP Byte 6                         |   | Valid                      | Valid   |
| DF                  | reg<1791:1784> | User configurable RAM / OTP Byte 7                         |   | Valid                      | Valid   |
| E0                  | reg<1799:1792> | Reserved   |   | Invalid                    | Invalid |
| E1                  | reg<1807:1800> | Reserved   |   | Invalid                    | Invalid |
| E2                  | reg<1815:1808> | Reserved   |   | Invalid                    | Invalid |
| E3                  | reg<1823:1816> | Reserved   |   | Invalid                    | Invalid |
| E4                  | reg<1831:1824> | Reserved   |   | Valid                      | Valid   |
| E5                  | reg<1832>      | I <sup>2</sup> C lock for read bits <1535:0> (Bank 0/1/2)  | 0: Disable (Programmed data can be read)<br>1: Enable (Programmed data can't be read) | Valid                      | Invalid |
|                     | reg<1833>      | Reserved   |   | Valid                      | Invalid |
|                     | reg<1835:1834> | Reserved   |   | Valid                      | Invalid |
|                     | reg<1839:1836> | Reserved   |   | Valid                      | Invalid |
| E6                  | reg<1847:1840> | 8-bit Pattern ID Byte 0 (From NVM): ID[23:16]              |   | Valid                      | Valid   |
| E7                  | reg<1855:1848> | Reserved   |   | Valid                      | Invalid |
| E8                  | reg<1863:1856> | Reserved   |   | Valid                      | Invalid |
| E9                  | reg<1867:1864> | I <sup>2</sup> C Control Code Bit [3:0]                    | Value for slave address   | Valid                      | Invalid |
|                     | reg<1868>      | Reserved   |   | Valid                      | Invalid |
|                     | reg<1869>      | Reserved   |   | Valid                      | Invalid |
|                     | reg<1870>      | BANK0/1/2/3 I <sup>2</sup> C-write protection bit          | 0: writable<br>1: Non-writable  | Valid                      | Invalid |
|                     | reg<1871>      | I <sup>2</sup> C lock for write bits <1535:0> (Bank 0/1/2) | 0: writable<br>1: Non-writable  | Valid                      | Invalid |
| EA                  | reg<1879:1872> | CNT4 Counted Value   |   | Valid                      | Invalid |
| EB                  | reg<1887:1880> | CNT0 (16bits) = <1895:1880> Counted Value                  |   | Valid                      | Invalid |
| EC                  | reg<1895:1888> |  |   | Valid                      | Invalid |
| ED                  | reg<1903:1896> | CNT6 Counted Value   |   | Valid                      | Invalid |
| EE                  | reg<1911:1904> | CNT1 (16bits) = <1919:1904> Counted Value                  |   | Valid                      | Invalid |
| EF                  | reg<1919:1912> |  |   | Valid                      | Invalid |
| <b>Matrix Input</b> |                |  |   |                            |         |
| F0                  | reg<1920>      | Matrix Input 0   | GND   | Valid                      | Invalid |
|                     | reg<1921>      | Matrix Input 1   | IO0 Digital Input   | Valid                      | Invalid |
|                     | reg<1922>      | Matrix Input 2   | IO1 Digital Input   | Valid                      | Invalid |
|                     | reg<1923>      | Matrix Input 3   | IO2 Digital Input   | Valid                      | Invalid |
|                     | reg<1924>      | Matrix Input 4   | IO3 Digital Input   | Valid                      | Invalid |
|                     | reg<1925>      | Matrix Input 5   | IO4 Digital Input   | Valid                      | Invalid |
|                     | reg<1926>      | Matrix Input 6   | IO5 Digital Input   | Valid                      | Invalid |
|                     | reg<1927>      | Matrix Input 7   | IO8 Digital Input   | Valid                      | Invalid |

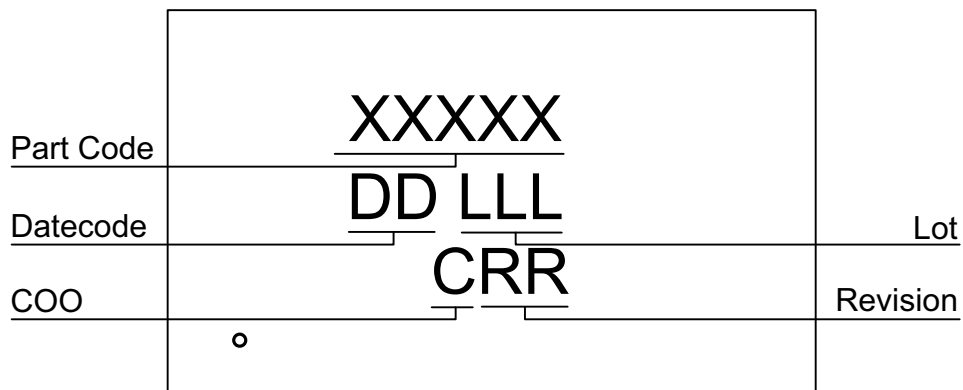


| Address |              | Signal Function | Register Bit Definition                  | I <sup>2</sup> C Interface |         |
|---------|--------------|-----------------|--|----------------------------|---------|
| Byte    | Register Bit |                 |  | Read                       | Write   |
| F1      | reg<1928>    | Matrix Input 8  | LUT2_0 / DFF0 Output                     | Valid                      | Invalid |
|         | reg<1929>    | Matrix Input 9  | LUT2_1 / DFF1 Output                     | Valid                      | Invalid |
|         | reg<1930>    | Matrix Input 10 | LUT2_2 / DFF2 Output                     | Valid                      | Invalid |
|         | reg<1931>    | Matrix Input 11 | LUT2_3 / PGEN Output                     | Valid                      | Invalid |
|         | reg<1932>    | Matrix Input 12 | LUT3_0 / DFF3 Output                     | Valid                      | Invalid |
|         | reg<1933>    | Matrix Input 13 | LUT3_1 / DFF4 Output                     | Valid                      | Invalid |
|         | reg<1934>    | Matrix Input 14 | LUT3_2 / DFF5 Output                     | Valid                      | Invalid |
|         | reg<1935>    | Matrix Input 15 | LUT3_3 / DFF6 Output                     | Valid                      | Invalid |
| F2      | reg<1936>    | Matrix Input 16 | LUT3_4 / DFF7 Output                     | Valid                      | Invalid |
|         | reg<1937>    | Matrix Input 17 | LUT3_5 / CNT_DLY2(8bit) Output           | Valid                      | Invalid |
|         | reg<1938>    | Matrix Input 18 | LUT3_6 / CNT_DLY3(8bit) Output           | Valid                      | Invalid |
|         | reg<1939>    | Matrix Input 19 | LUT3_7 / CNT_DLY4(8bit) Output           | Valid                      | Invalid |
|         | reg<1940>    | Matrix Input 20 | LUT3_8 / CNT_DLY5(8bit) Output           | Valid                      | Invalid |
|         | reg<1941>    | Matrix Input 21 | LUT3_9 / CNT_DLY6(8bit) Output           | Valid                      | Invalid |
|         | reg<1942>    | Matrix Input 22 | LUT4_0 / CNT_DLY0(16bit) Output          | Valid                      | Invalid |
|         | reg<1943>    | Matrix Input 23 | LUT4_1 / CNT_DLY1(16bit) Output          | Valid                      | Invalid |
| F3      | reg<1944>    | Matrix Input 24 | LUT3_10 / Pipe Delay (1st stage) Output  | Valid                      | Invalid |
|         | reg<1945>    | Matrix Input 25 | Pipe Delay Output0                       | Valid                      | Invalid |
|         | reg<1946>    | Matrix Input 26 | Pipe Delay Output1                       | Valid                      | Invalid |
|         | reg<1947>    | Matrix Input 27 | Fixed "L" output because it is OSC clock | Valid                      | Invalid |
|         | reg<1948>    | Matrix Input 28 | Fixed "L" output because it is OSC clock | Valid                      | Invalid |
|         | reg<1949>    | Matrix Input 29 | Fixed "L" output because it is OSC clock | Valid                      | Invalid |
|         | reg<1950>    | Matrix Input 30 | Filter0 / Edge Detect0 Output            | Valid                      | Invalid |
|         | reg<1951>    | Matrix Input 31 | Filter1 / Edge Detect1 Output            | Valid                      | Invalid |
| F4      | reg<1952>    | Matrix Input 32 | Virtual Input <0>                        | Valid                      | Valid   |
|         | reg<1953>    | Matrix Input 33 | Virtual Input <1>                        | Valid                      | Valid   |
|         | reg<1954>    | Matrix Input 34 | Virtual Input <2>                        | Valid                      | Valid   |
|         | reg<1955>    | Matrix Input 35 | Virtual Input <3>                        | Valid                      | Valid   |
|         | reg<1956>    | Matrix Input 36 | Virtual Input <4>                        | Valid                      | Valid   |
|         | reg<1957>    | Matrix Input 37 | Virtual Input <5>                        | Valid                      | Valid   |
|         | reg<1958>    | Matrix Input 38 | Virtual Input <6>                        | Valid                      | Valid   |
|         | reg<1959>    | Matrix Input 39 | Virtual Input <7>                        | Valid                      | Valid   |
| F5      | reg<1960>    | Matrix Input 40 | RAM_0 Output for ASM-state               | Valid                      | Invalid |
|         | reg<1961>    | Matrix Input 41 | RAM_1 Output for ASM-state               | Valid                      | Invalid |
|         | reg<1962>    | Matrix Input 42 | RAM_2 Output for ASM-state               | Valid                      | Invalid |
|         | reg<1963>    | Matrix Input 43 | RAM_3 Output for ASM-state               | Valid                      | Invalid |
|         | reg<1964>    | Matrix Input 44 | RAM_4 Output for ASM-state               | Valid                      | Invalid |
|         | reg<1965>    | Matrix Input 45 | RAM_5 Output for ASM-state               | Valid                      | Invalid |
|         | reg<1966>    | Matrix Input 46 | RAM_6 Output for ASM-state               | Valid                      | Invalid |
|         | reg<1967>    | Matrix Input 47 | RAM_7 Output for ASM-state               | Valid                      | Invalid |

| Address         |                 | Signal Function | Register Bit Definition                      | I <sup>2</sup> C Interface |         |
|-----------------|-----------------|-----------------|--|----------------------------|---------|
| Byte            | Register Bit    |                 |  | Read                       | Write   |
| F6              | reg<1968>       | Matrix Input 48 | IO9 Digital Input                            | Valid                      | Invalid |
|                 | reg<1969>       | Matrix Input 49 | IO10 Digital Input                           | Valid                      | Invalid |
|                 | reg<1970>       | Matrix Input 50 | IO11 Digital Input                           | Valid                      | Invalid |
|                 | reg<1971>       | Matrix Input 51 | IO12 Digital Input                           | Valid                      | Invalid |
|                 | reg<1972>       | Matrix Input 52 | IO13 Digital Input                           | Valid                      | Invalid |
|                 | reg<1973>       | Matrix Input 53 | IO14 Digital Input                           | Valid                      | Invalid |
|                 | reg<1974>       | Matrix Input 54 | IO15 Digital Input                           | Valid                      | Invalid |
| F7              | reg<1975>       | Matrix Input 55 | IO16 Digital Input                           | Valid                      | Invalid |
|                 | reg<1976>       | Matrix Input 56 | IO17 Digital Input                           | Valid                      | Invalid |
|                 | reg<1977>       | Matrix Input 57 | ACMP_0 Output                                | Valid                      | Invalid |
|                 | reg<1978>       | Matrix Input 58 | ACMP_1 Output                                | Valid                      | Invalid |
|                 | reg<1979>       | Matrix Input 59 | ACMP_2 Output                                | Valid                      | Invalid |
|                 | reg<1980>       | Matrix Input 60 | ACMP_3 Output                                | Valid                      | Invalid |
|                 | reg<1981>       | Matrix Input 61 | Programmable Delay with Edge Detector Output | Valid                      | Invalid |
| reg<1982>       | Matrix Input 62 | nRST_core       | Valid  | Invalid                    |         |
|                 | reg<1983>       | Matrix Input 63 | V <sub>DD</sub>                              | Valid                      | Invalid |
| <b>Reserved</b> |                 |                 |  |                            |         |
| F8              | reg<1991:1984>  | Reserved        |  | Valid                      | Invalid |
| F9              | reg<1999:1992>  | Reserved        |  | Valid                      | Invalid |
| FA              | reg<2007:2000>  | Reserved        |  | Valid                      | Invalid |
| FB              | reg<2015:2008>  | Reserved        |  | Valid                      | Valid   |
| FC              | reg<2023:2016>  | Reserved        |  | Valid                      | Invalid |
| FD              | reg<2031:2024>  | Reserved        |  | Valid                      | Invalid |
| FE              | reg<2039:2032>  | Reserved        |  | Valid                      | Valid   |
| FF              | reg<2047:2040>  | Reserved        |  | Valid                      | Valid   |

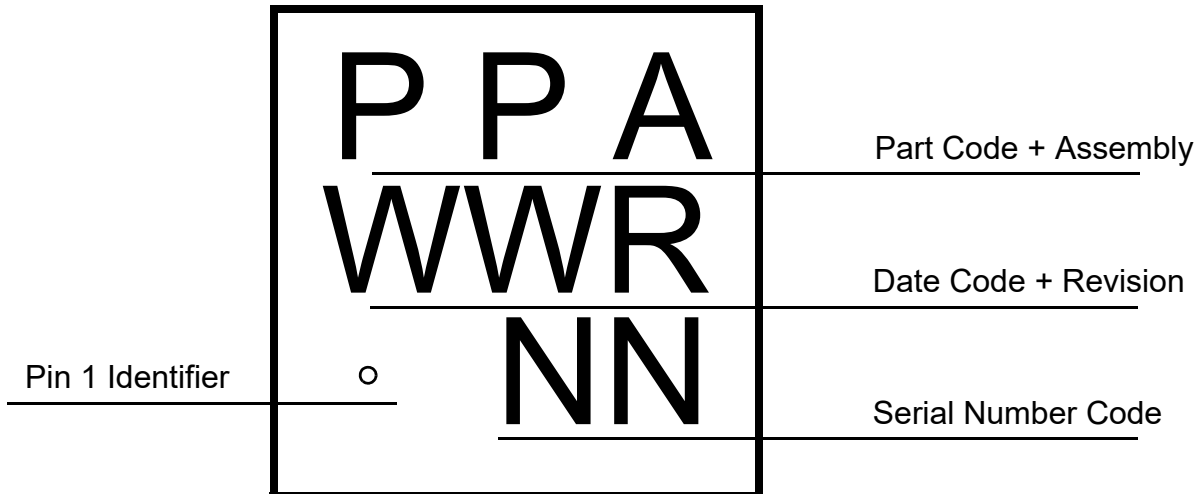
23.0 Package Top Marking System Definition

23.1 STQFN 20L 2x3mm 0.4P COL Package

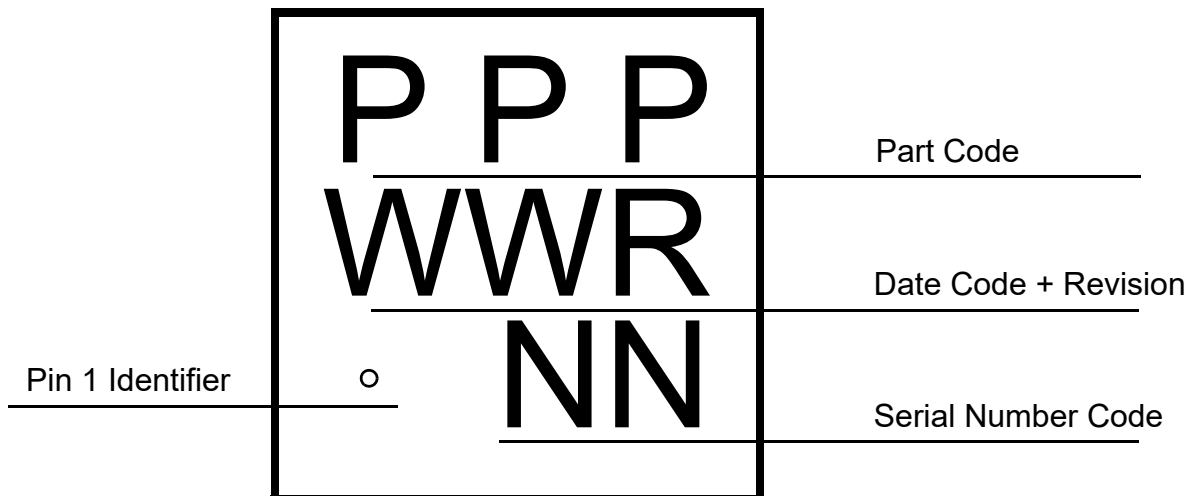


- XXXXX – Part ID Field: identifies the specific device configuration
- DD – Date Code Field: Coded date of manufacture
- LLL – Lot Code: Designates Lot #
- C – Assembly Site/COO: Specifies Assembly Site/Country of Origin
- RR – Revision Code: Device Revision

23.2 MSTQFN 22L 2x2.2 mm 0.4P Package, before February 1, 2021



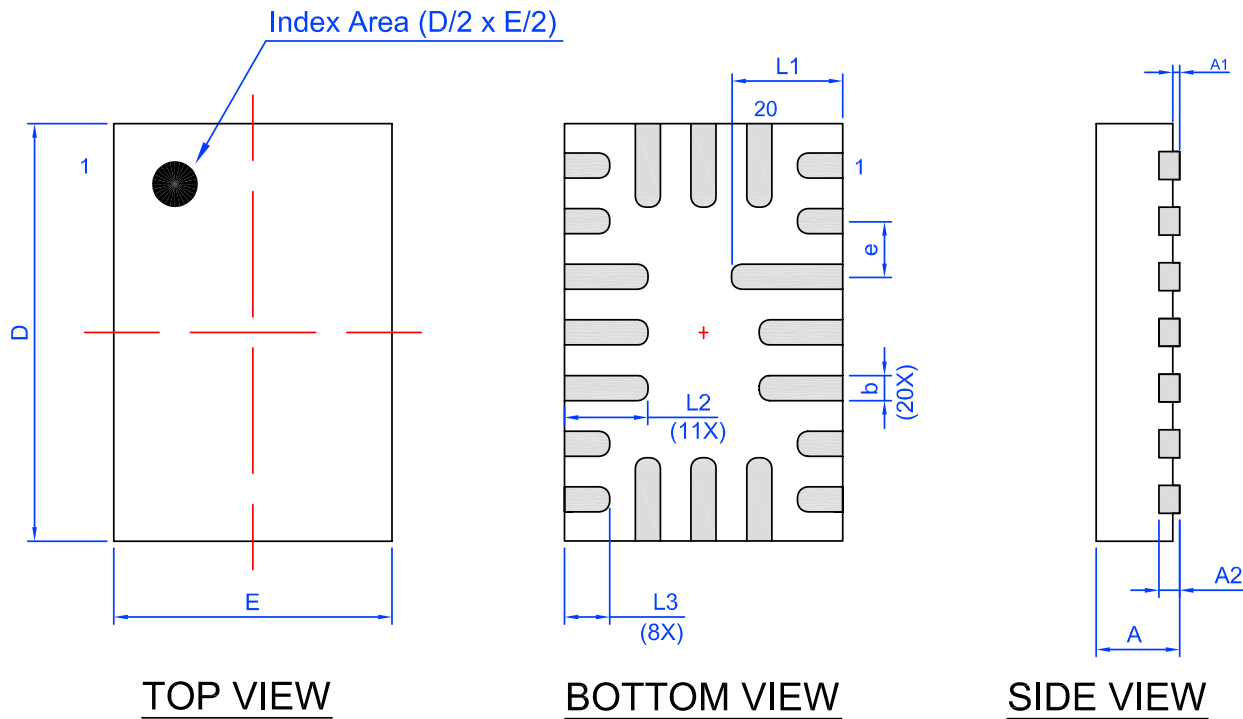
23.3 MSTQFN 22L 2x2.2 mm 0.4P Package, after February 1, 2021



24.0 Package Drawing and Dimensions

24.1 STQFN 20L 2x3mm 0.4P COL Package

JEDEC MO-220  
IC Net Weight: 0.0090 g

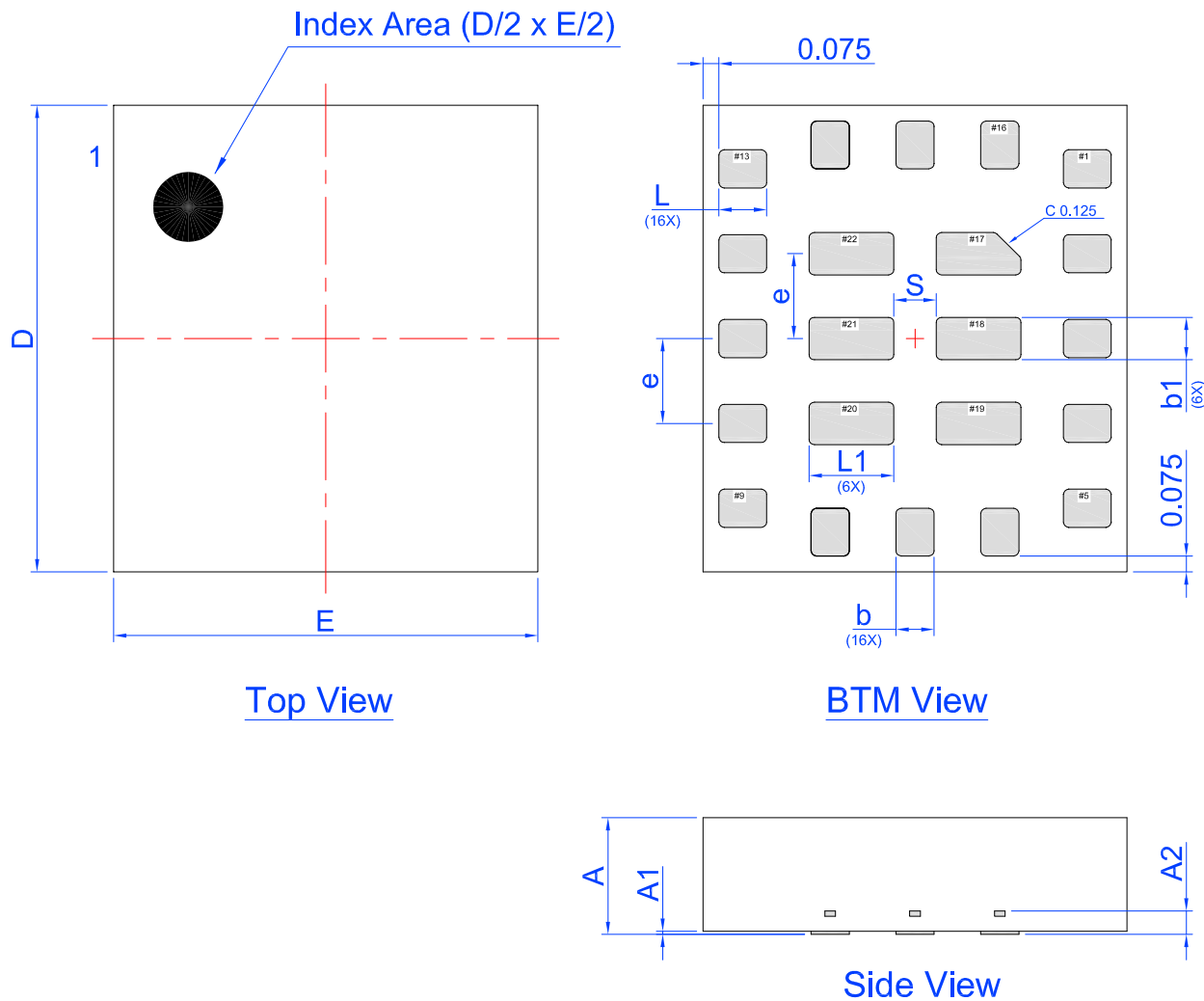


Unit: mm

| Symbol | Min      | Nom. | Max   | Symbol | Min   | Nom.  | Max   |
|--------|----------|------|-------|--------|-------|-------|-------|
| A      | 0.50     | 0.55 | 0.60  | D      | 2.95  | 3.00  | 3.05  |
| A1     | 0.005    | -    | 0.050 | E      | 1.95  | 2.00  | 2.05  |
| A2     | 0.10     | 0.15 | 0.20  | L1     | 0.75  | 0.80  | 0.85  |
| b      | 0.13     | 0.18 | 0.23  | L2     | 0.55  | 0.60  | 0.65  |
| e      | 0.40 BSC |      |       | L3     | 0.275 | 0.325 | 0.375 |

## 24.2 MSTQFN 22L 2x2.2 mm 0.4P Package

JEDEC MO-220  
IC Net Weight: 0.0058 g



Unit: mm

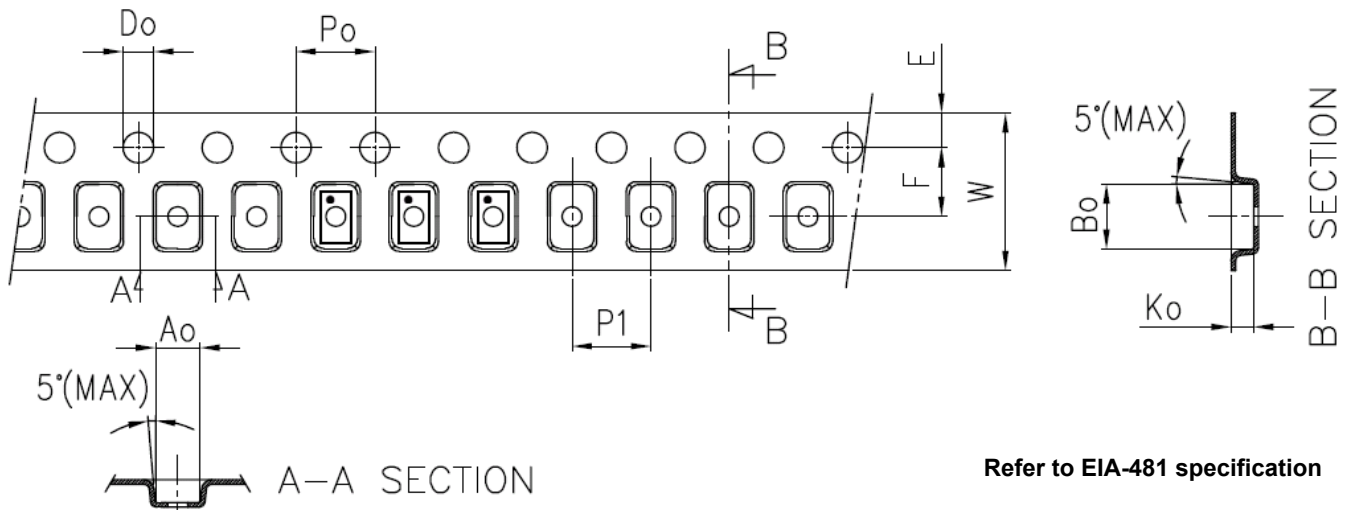
| Symbol | Min      | Nom. | Max   | Symbol | Min      | Nom.  | Max   |
|--------|----------|------|-------|--------|----------|-------|-------|
| A      | 0.50     | 0.55 | 0.60  | D      | 2.15     | 2.20  | 2.25  |
| A1     | 0.00     | -    | 0.010 | E      | 1.95     | 2.00  | 2.05  |
| A2     | 0.11 REF |      |       | L      | 0.175    | 0.225 | 0.275 |
| b      | 0.13     | 0.18 | 0.23  | L1     | 0.35     | 0.40  | 0.45  |
| b1     | 0.15     | 0.20 | 0.25  | S      | 0.20 REF |       |       |
| e      | 0.40 BSC |      |       |        |          |       |       |

25.0 Tape and Reel Specifications

| Package Type                   | # of Pins | Nominal Package Size [mm] | Max Units |         | Reel & Hub Size [mm] | Leader (min) |             | Trailer (min) |             | Tape Width [mm] | Part Pitch [mm] |
|--------------------------------|-----------|---------------------------|-----------|---------|----------------------|--------------|-------------|---------------|-------------|-----------------|-----------------|
|                                |           |                           | per Reel  | per Box |                      | Pockets      | Length [mm] | Pockets       | Length [mm] |                 |                 |
| STQFN 20L 2x3 mm 0.4P COL      | 20        | 2 x 3 x 0.55              | 3,000     | 3,000   | 178 / 60             | 100          | 400         | 100           | 400         | 8               | 4               |
| MSTQFN 22L 2x2.2 mm 0.4P Green | 22        | 2 x 2.2x 0.55             | 3,000     | 3,000   | 178 / 60             | 100          | 400         | 100           | 400         | 8               | 4               |

25.1 Carrier Tape Drawing and Dimensions


| Package Type                   | Pocket BTM Length | Pocket BTM Width | Pocket Depth | Index Hole Pitch | Pocket Pitch | Index Hole Diameter | Index Hole to Tape Edge | Index Hole to Pocket Center | Tape Width |
|--------------------------------|-------------------|------------------|--------------|------------------|--------------|---------------------|-------------------------|-----------------------------|------------|
|                                | A0                | B0               | K0           | P0               | P1           | D0                  | E                       | F                           | W          |
| STQFN 20L 2x3 mm 0.4P COL      | 2.2               | 3.15             | 0.76         | 4                | 4            | 1.5                 | 1.75                    | 3.5                         | 8          |
| MSTQFN 22L 2x2.2 mm 0.4P Green | 2.2               | 2.35             | 0.8          | 4                | 4            | 1.5                 | 1.75                    | 3.5                         | 8          |



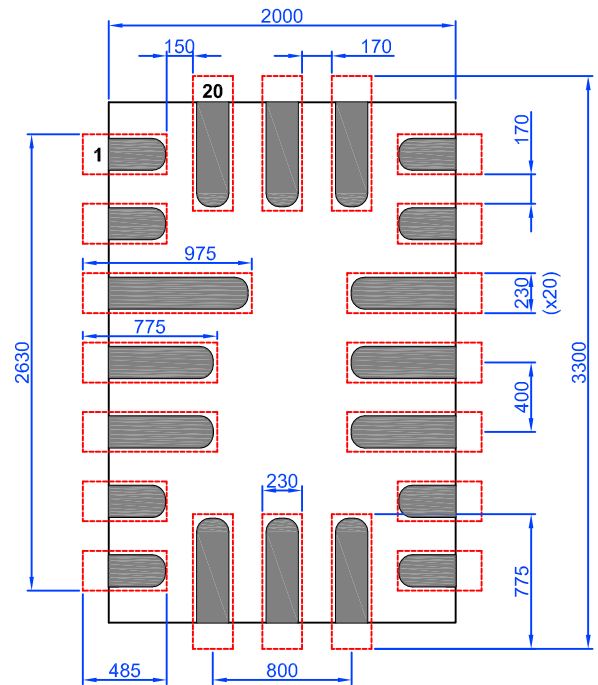
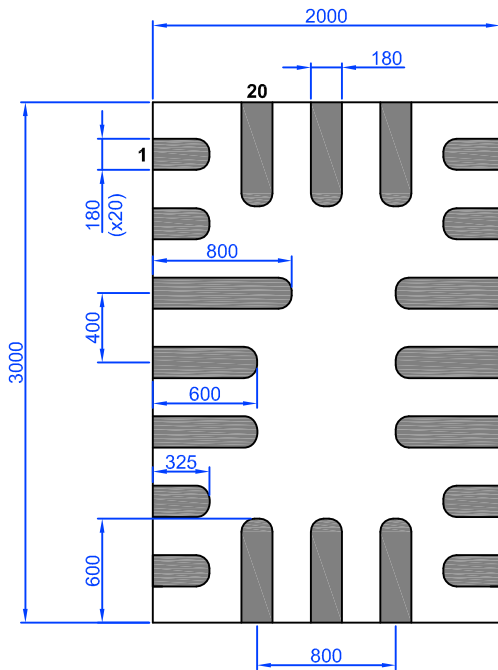
26.0 Recommended Land Pattern

26.1 STQFN 20L 2x3mm 0.4P COL Package

 Exposed Pad  
(Top View)

 Recommended Land Pattern  
(Top View)

Units:  $\mu\text{m}$



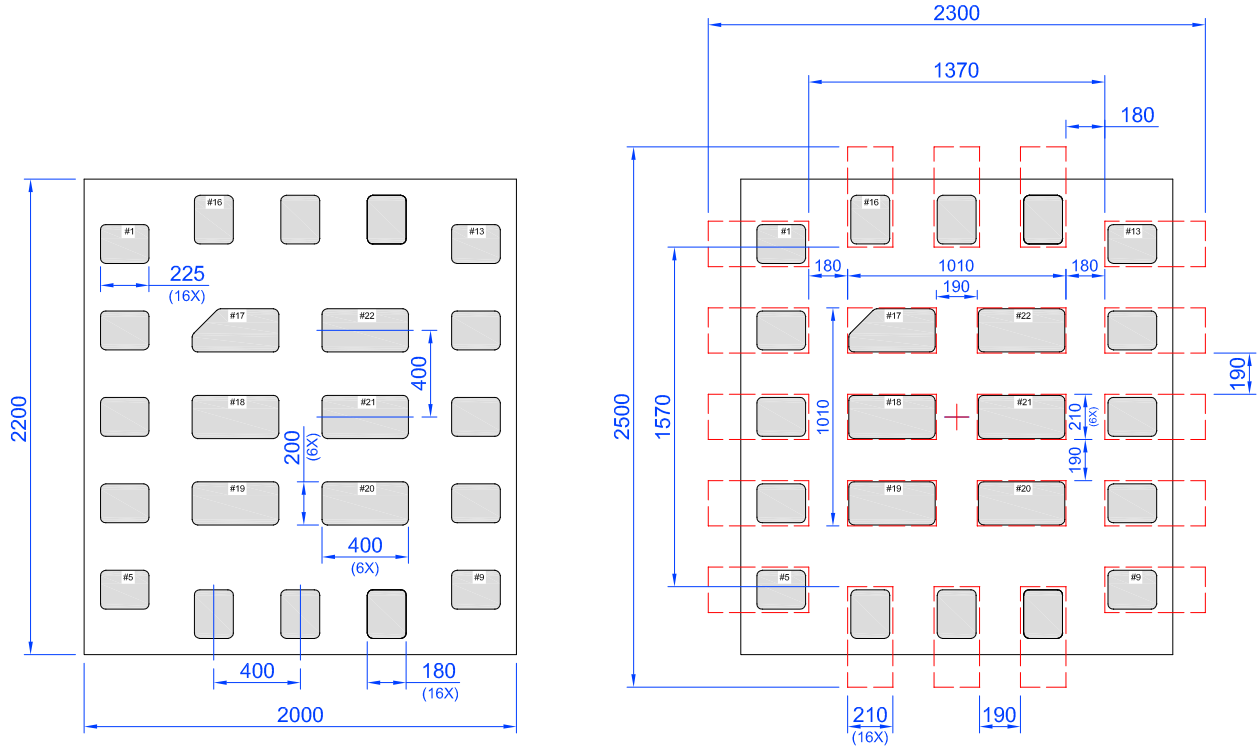


26.2 MSTQFN 22L 2x2.2mm 0.4P Green Package

Exposed Pad  
(PKG face down)

Recommended Land Pattern  
(PKG face down)

Units:  $\mu\text{m}$



27.0 Recommended Reflow Soldering Profile

Please see IPC/JEDEC J-STD-020: latest revision for reflow profile based on package volume of 3.30 mm<sup>3</sup> (nominal) for STQFN 20L Package, and 2.42 mm<sup>3</sup> (nominal) for MSTQFN 22L Package. More information can be found at [www.jedec.org](http://www.jedec.org).

**28.0 Revision History**

| Date       | Version | Change  |
|------------|---------|---|
| 9/12/2023  | 1.21    | Corrected registers <1023:880>, <1535:1496>, <1869:1868>  |
| 3/3/2023   | 1.20    | Added notes to section Ordering Information   |
| 1/26/2023  | 1.19    | Corrected figure POR Sequence   |
| 3/4/2022   | 1.18    | Updated R <sub>PUP</sub> and R <sub>PDWN</sub> in section Electrical Characteristics<br>Renesas rebranding<br>Updated Crystal Oscillator Description  |
| 7/22/2021  | 1.17    | Removed note from section Vref Load Regulation<br>Corrected registers [1076:1075], [1084:1083], [1087:1085]   |
| 2/3/2021   | 1.16    | Updated section Package Top Marking System Definition   |
| 8/18/2020  | 1.15    | Updated ACMP Spec<br>Added note for CNTs<br>Corrected Reset Command Timing figure<br>Updated Pins Structure Diagrams<br>Updated register <1328> and register <1359>   |
| 7/17/2019  | 1.14    | Updated TS section<br>Updated TS Block Diagram<br>Corrected registers <1466:1464><br>Corrected main Block Diagram<br>Corrected 2-bit LUT3 or PGEN figure<br>Updated registers <1047:1045>, <1143:1141>, <1167:1165>, <1177:1176>, <1636:1632><br>Corrected Table Read/Write Protection Options<br>Fixed statement regarding C1 and C2 in OSC section<br>Fixed typos |
| 11/14/2018 | 1.13    | Updated to Dialog style<br>Updated Oscillator Startup Diagram   |
| 8/9/2018   | 1.12    | Updated reg<1079:1077>, reg<1087:1085> in Appendix A  |
| 6/13/2018  | 1.11    | Updated I2C section<br>Fixed typos  |
| 4/17/2018  | 1.10    | Updated ASM Specifications<br>Corrected CNT/FSM Timing Diagram<br>Fixed typos   |
| 12/26/2017 | 1.09    | Updated section RC Oscillator<br>Updated Electrical Spec<br>Fixed typos   |
| 10/12/2017 | 1.08    | Updated Electrical Spec<br>Updated I2C Specifications<br>Updated I2C Serial Command Register Protection<br>Added Register Read/Write Protection subsection  |
| 8/29/2017  | 1.07    | Updated VREF Block Diagram<br>Updated subsection I2C Serial Reset Command   |
| 5/24/2017  | 1.06    | Fixed typos<br>Updated reg<1831:1824><br>Updated Electrical Characteristics   |
| 5/5/2017   | 1.05    | Updated POR section<br>Updated Absolute Maximum Conditions<br>Corrected table Typical Delay Estimated for Each Block at T = 25°C  |
| 3/31/2017  | 1.04    | Fixed typos<br>Updated Analog Temperature Sensor (TS) Specifications  |
| 2/16/2017  | 1.03    | Fixed quality of CNT Timing Diagrams<br>Updated Section Programmable Delay / Edge Detector<br>Fixed typos   |

| Date       | Version | Change  |
|------------|---------|---|
| 12/20/2016 | 1.02    | Corrected Oscillator Electrical Spec<br>Updated Silego Website & Support<br>Fixed typos<br>Corrected figure WS controller<br>Added table DLY/CNTx One-Shot / Freq. Detect Output Polarity<br>Added data to table Programmable Delay Register Settings<br>Updated figure Deglitch Filter / Edge Detector |
| 11/16/2016 | 1.01    | Corrected figure OSC1 Power On Delay<br>Corrected table Typical Counter/Delay Offset Measurements<br>Added subsection Difference in Counter Value for Counter, Delay, One-Shot and Frequency Detect Modes   |
| 10/27/2016 | 1.00    | Production Release  |

---

**RoHS Compliance**

Renesas Electronics Corporation's suppliers certify that its products are in compliance with the requirements of Directive 2011/65/EU of the European Parliament on the restriction of the use of certain hazardous substances in electrical and electronic equipment. RoHS certificates from our suppliers are available on request.

## IMPORTANT NOTICE AND DISCLAIMER

RENESAS ELECTRONICS CORPORATION AND ITS SUBSIDIARIES (“RENESAS”) PROVIDES TECHNICAL SPECIFICATIONS AND RELIABILITY DATA (INCLUDING DATASHEETS), DESIGN RESOURCES (INCLUDING REFERENCE DESIGNS), APPLICATION OR OTHER DESIGN ADVICE, WEB TOOLS, SAFETY INFORMATION, AND OTHER RESOURCES “AS IS” AND WITH ALL FAULTS, AND DISCLAIMS ALL WARRANTIES, EXPRESS OR IMPLIED, INCLUDING, WITHOUT LIMITATION, ANY IMPLIED WARRANTIES OF MERCHANTABILITY, FITNESS FOR A PARTICULAR PURPOSE, OR NON-INFRINGEMENT OF THIRD-PARTY INTELLECTUAL PROPERTY RIGHTS.

These resources are intended for developers who are designing with Renesas products. You are solely responsible for (1) selecting the appropriate products for your application, (2) designing, validating, and testing your application, and (3) ensuring your application meets applicable standards, and any other safety, security, or other requirements. These resources are subject to change without notice. Renesas grants you permission to use these resources only to develop an application that uses Renesas products. Other reproduction or use of these resources is strictly prohibited. No license is granted to any other Renesas intellectual property or to any third-party intellectual property. Renesas disclaims responsibility for, and you will fully indemnify Renesas and its representatives against, any claims, damages, costs, losses, or liabilities arising from your use of these resources. Renesas' products are provided only subject to Renesas' Terms and Conditions of Sale or other applicable terms agreed to in writing. No use of any Renesas resources expands or otherwise alters any applicable warranties or warranty disclaimers for these products.

(Disclaimer Rev.1.01)

### Corporate Headquarters

TOYOSU FORESIA, 3-2-24 Toyosu,  
Koto-ku, Tokyo 135-0061, Japan  
[www.renesas.com](http://www.renesas.com)

### Trademarks

Renesas and the Renesas logo are trademarks of Renesas Electronics Corporation. All trademarks and registered trademarks are the property of their respective owners.

### Contact Information

For further information on a product, technology, the most up-to-date version of a document, or your nearest sales office, please visit [www.renesas.com/contact-us/](http://www.renesas.com/contact-us/).