

# SLG59M1717V

An Ultra-small, 4 mΩ, 5 A Load Switch with PG Output

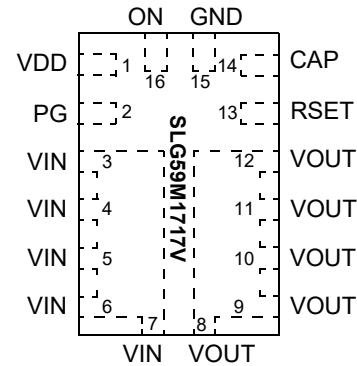
## General Description

Operating from a 2.5 V to 5.5 V power supply and fully specified over the -40 °C to 85 °C Industrial temperature range, the SLG59M1717V is a high-performance 4 mΩ, 5 A single-channel nFET load switch designed for all 0.8 V to 5.5 V power rail applications. The SLG59M1717V features adjustable inrush current control which is achieved by adjusting the V<sub>OUT</sub> slew rate with an external capacitor. Using a proprietary MOSFET design, the SLG59M1717V achieves a stable 4 mΩ RDS<sub>ON</sub> across a wide input/supply voltage range. The SLG59M1717V also incorporates resistor-adjustable current limiting as well as thermal protection. Using Renesas's proprietary CuFET™ technology for high-current operation, the SLG59M1717V is packaged in a space-efficient, low thermal resistance, RoHS-compliant 1.6 mm x 2.5 mm STQFN package.

## Features

- Low Typical RDS<sub>ON</sub> nFET Block: 4 mΩ
- Maximum Continuous Switch Current: Up to 5 A
- Supply Voltage: 2.5 V ≤ V<sub>DD</sub> ≤ 5.5 V
- Wide Input Voltage Range: 0.8 V ≤ V<sub>IN</sub> ≤ V<sub>DD</sub>
- Capacitor adjustable Start-up and Inrush Current Control
- Two-stage Overcurrent Protection:
  - Resistor-adjustable Active Current Limit
  - Fixed 1.6 A Short-circuit Current Limit
- Thermal Shutdown Protection
- Open-drain PG Signaling
- Operating Temperature: -40 °C to 85 °C
- Low θ<sub>JA</sub>, 16-pin 1.6 mm x 2.5 mm STQFN
  - Pb-Free / Halogen-Free / RoHS compliant

## Pin Configuration

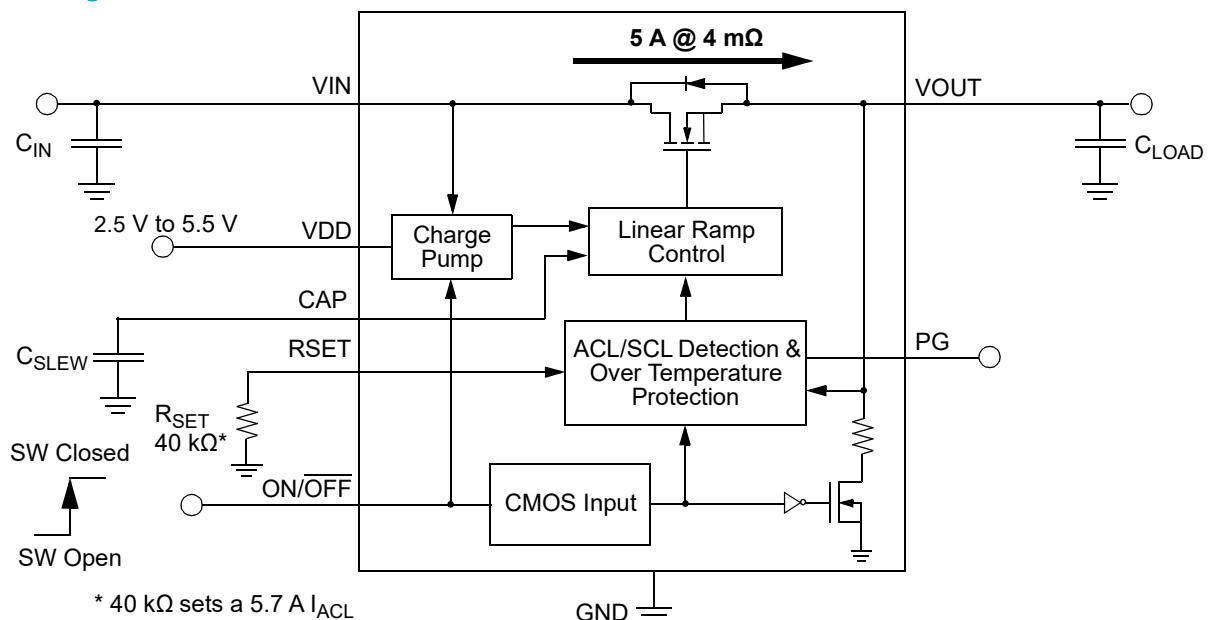


16-pin FC-STQFN (Top View)

## Applications

- Notebook Power Rail Switching
- Tablet Power Rail Switching
- Smartphone Power Rail Switching

## Block Diagram



## SLG59M1717V

An Ultra-small, 4 mΩ, 5 A  
Load Switch with PG Output

### Pin Description

Pin #	Pin Name	Type	Pin Description
1	VDD	Power	With an internal 1.9 V $V_{DD(UVLO)}$ threshold, VDD supplies the power for the operation of the load switch and internal control circuitry where its range is $2.5\text{ V} \leq V_{DD} \leq 5.5\text{ V}$ . Bypass the VDD pin to GND with a 0.1 $\mu\text{F}$ (or larger) capacitor
2	PG	Output	An open drain output. PG is asserted when $V_{OUT}$ reaches 90% of $V_{IN}$ . Connect an external 10 kΩ resistor from the PG pin to local system logic supply.
3-7	VIN	MOSFET	Drain terminal of Power MOSFET (Pins 3-7 fused together). Connect a 10 $\mu\text{F}$ (or larger) low ESR capacitor from this pin to GND. Capacitors used at VIN should be rated at 10 V or higher.
8-12	VOUT	MOSFET	Source terminal of Power MOSFET (Pins 8-12 fused together). Connect a capacitor (up to 600 $\mu\text{F}$ ) from this pin to GND. Capacitors used at VOUT should be rated at 10 V or higher.
13	RSET	Input	A 1%-tolerance, metal-film resistor between 38 kΩ and 80 kΩ sets the load switch's active current limit. A 38 kΩ resistor sets the SLG59M1717V's active current limit to 6 A and a 80 kΩ resistor sets the active current limit to 2.85 A.
14	CAP	Input	A capacitor connected from CAP pin to GND sets the $V_{OUT}$ slew rate and overall turn-on time of the SLG59M1717V. For best performance, the range for $C_{SLEW}$ values are $2\text{ nF} \leq C_{SLEW}$ . Capacitors used at the CAP pin should be rated at 10 V or higher.
15	GND	GND	Ground
16	ON	Input	A low-to-high transition on this pin closes the load switch. ON is an asserted-HIGH, level-sensitive CMOS input with $ON_{V_{IL}} < 0.3\text{ V}$ and $ON_{V_{IH}} > 0.85\text{ V}$ . As the ON pin input circuit has an internal 4 MΩ pull-down, connect this pin to a general-purpose output (GPO) of a microcontroller, an application processor, or a system controller.

### Ordering Information

Part Number	Type	Production Flow
SLG59M1717V	STQFN 16L	Industrial, -40 °C to 85 °C
SLG59M1717VTR	STQFN 16L (Tape and Reel)	Industrial, -40 °C to 85 °C

# SLG59M1717V

An Ultra-small, 4 mΩ, 5 A Load Switch with PG Output

## Absolute Maximum Ratings

Parameter	Description	Conditions	Min.	Typ.	Max.	Unit
V <sub>DD</sub>	Power Supply Voltage to GND		--	--	6	V
V <sub>IN</sub> to GND	Load Switch Input Voltage to GND		-0.3	--	6	V
V <sub>OUT</sub> to GND	Load Switch Output Voltage to GND		-0.3	--	V <sub>IN</sub>	V
ON, RSET, CAP, and PG to GND	ON, RSET, CAP, and PG Pin Voltages to GND		-0.3	--	6	V
T <sub>S</sub>	Storage Temperature		-65	--	150	°C
ESD <sub>HBM</sub>	ESD Protection	Human Body Model	2000	--	--	V
ESD <sub>CDM</sub>	ESD Protection	Charged Device Model	500	--	--	V
MSL	Moisture Sensitivity Level		1			
θ <sub>JA</sub>	Package Thermal Resistance, Junction-to-Ambient	1.6mm x 2.5mm STQFN; Determined using 1 in <sup>2</sup> , 1.2 oz. copper pads under each VIN and VOUT on FR4 pcb material, with airflow	--	35	--	°C/W
W <sub>DIS</sub>	Package Power Dissipation		--	--	1.2	W
MOSFET I <sub>DS</sub> CONT	Continuous Current from VIN to VOUT		--	--	5	A
MOSFET I <sub>DS</sub> PK	Peak Current from VIN to VOUT	Maximum pulsed switch current, pulse width < 1 ms, 1% duty cycle	--	--	6	A

Note: Stresses greater than those listed under "Absolute Maximum Ratings" may cause permanent damage to the device. This is a stress rating only and functional operation of the device at these or any other conditions above those indicated in the operational sections of this specification is not implied. Exposure to absolute maximum rating conditions for extended periods may affect reliability.

## Electrical Characteristics

T<sub>A</sub> = -40 °C to 85 °C (unless otherwise stated). Typical values are at T<sub>A</sub> = 25°C

Parameter	Description	Conditions	Min.	Typ.	Max.	Unit
V <sub>DD</sub>	Power Supply Voltage		2.5	--	5.5	V
V <sub>DD(UVLO)</sub>	V <sub>DD</sub> Undervoltage Lockout Threshold	V <sub>DD</sub> ↑	1.6	1.9	2.2	V
		V <sub>DD</sub> ↓	1.5	1.8	2.2	V
I <sub>DD</sub>	Power Supply Current, when OFF	V <sub>DD</sub> = V <sub>IN</sub> = 5.5 V; ON = 0	--	--	1	μA
	Power Supply Current, when ON	V <sub>DD</sub> = V <sub>IN</sub> = ON = 5.5 V; No Load, R <sub>SET</sub> = 80 kΩ	--	160	200	μA
R <sub>DS</sub> ON	ON Resistance	T <sub>A</sub> = 25°C; I <sub>DS</sub> = 100 mA; V <sub>DD</sub> = V <sub>IN</sub> = 5 V <sup>2</sup>	--	4	5.5	mΩ
		T <sub>A</sub> = 85°C; I <sub>DS</sub> = 100 mA; V <sub>DD</sub> = V <sub>IN</sub> = 5 V <sup>2</sup>	--	5	6.8	mΩ
		T <sub>A</sub> = 85°C; I <sub>DS</sub> = 5 A; V <sub>DD</sub> = 5 V, V <sub>IN</sub> = 1 V <sup>2</sup>	--	5.1	7.0	mΩ
MOSFET I <sub>DS</sub>	Current from VIN to VOUT	Continuous	--	--	5	A
I <sub>FET_OFF</sub>	MOSFET OFF Leakage Current	V <sub>DD</sub> = V <sub>IN</sub> = 5.5 V; V <sub>OUT</sub> = 0 V; ON = 0 V	--	0.1	2	μA
V <sub>IN</sub>	Drain Voltage		0.8	--	V <sub>DD</sub>	V

## SLG59M1717V

An Ultra-small, 4 mΩ, 5 A  
Load Switch with PG Output

### Electrical Characteristics (continued)

T<sub>A</sub> = -40 °C to 85 °C (unless otherwise stated). Typical values are at T<sub>A</sub> = 25°C

Parameter	Description	Conditions	Min.	Typ.	Max.	Unit
T <sub>ON_Delay</sub>	ON Delay Time	50% ON to V <sub>OUT</sub> Ramp Start, V <sub>DD</sub> = V <sub>IN</sub> = 5 V; C <sub>SLEW</sub> = 12 nF; R <sub>LOAD</sub> = 20 Ω, C <sub>LOAD</sub> = 10 μF	--	200	--	μs
V <sub>OUT(SR)</sub>	V <sub>OUT</sub> Slew Rate <sup>3</sup>	10% V <sub>OUT</sub> to 90% V <sub>OUT</sub> ↑;	Set by External C <sub>SLEW</sub> <sup>1</sup>			V/ms
		Example: C <sub>SLEW</sub> = 12 nF; V <sub>DD</sub> = V <sub>IN</sub> = 5 V; R <sub>LOAD</sub> = 20 Ω, C <sub>LOAD</sub> = 10 μF	0.8	1	1.2	V/ms
T <sub>Total_ON</sub>	Total Turn ON Time	50% ON to 90% V <sub>OUT</sub> ↑;	Set by External C <sub>SLEW</sub> <sup>1</sup>			ms
		Example: C <sub>SLEW</sub> = 12 nF; V <sub>DD</sub> = V <sub>IN</sub> = 5 V; R <sub>LOAD</sub> = 20 Ω, C <sub>LOAD</sub> = 10 μF	--	4.7	--	ms
T <sub>OFF_Delay</sub>	OFF Delay Time	50% ON to V <sub>OUT</sub> Fall Start; V <sub>DD</sub> = V <sub>IN</sub> = 5 V, R <sub>LOAD</sub> = 20 Ω, no C <sub>LOAD</sub>	--	8	15	μs
C <sub>LOAD</sub>	Output Load Capacitance	C <sub>LOAD</sub> connected from V <sub>OUT</sub> to GND	1	10	600	μF
I <sub>LIMIT</sub>	Active Current Limit (I <sub>ACL</sub> ) <sup>2</sup>	V <sub>OUT</sub> > 0.25 V; R <sub>SET</sub> = 80 kΩ	2.28	2.85	3.42	A
	Short-circuit Current Limit (I <sub>SCL</sub> ) <sup>3</sup>	V <sub>OUT</sub> < 0.25 V	--	1.6	--	A
PG <sub>VOH</sub>	Power Good Pull-up Voltage	Open Drain Output Buffer	--	--	5.5	V
PG	Power Good level	V <sub>OUT</sub> % of V <sub>IN</sub>	87	90	93	%
PG <sub>HYS</sub>	Power Good Hysteresis	V <sub>OUT</sub> % below V <sub>PG</sub> level	--	5	--	%
ON_V <sub>IH</sub>	High Input Voltage on ON pin		0.85	--	V <sub>DD</sub>	V
ON_V <sub>IL</sub>	Low Input Voltage on ON pin		-0.3	0	0.3	V
R <sub>DISCHRG</sub>	Output Discharge Resistance	V <sub>DD</sub> = 5 V, V <sub>OUT</sub> = 0.4 V, ON = 0 V	70	93	150	Ω
THERM <sub>ON</sub>	Thermal shutoff turn-on temperature		--	150	--	°C
THERM <sub>OFF</sub>	Thermal shutoff turn-off temperature		--	130	--	°C

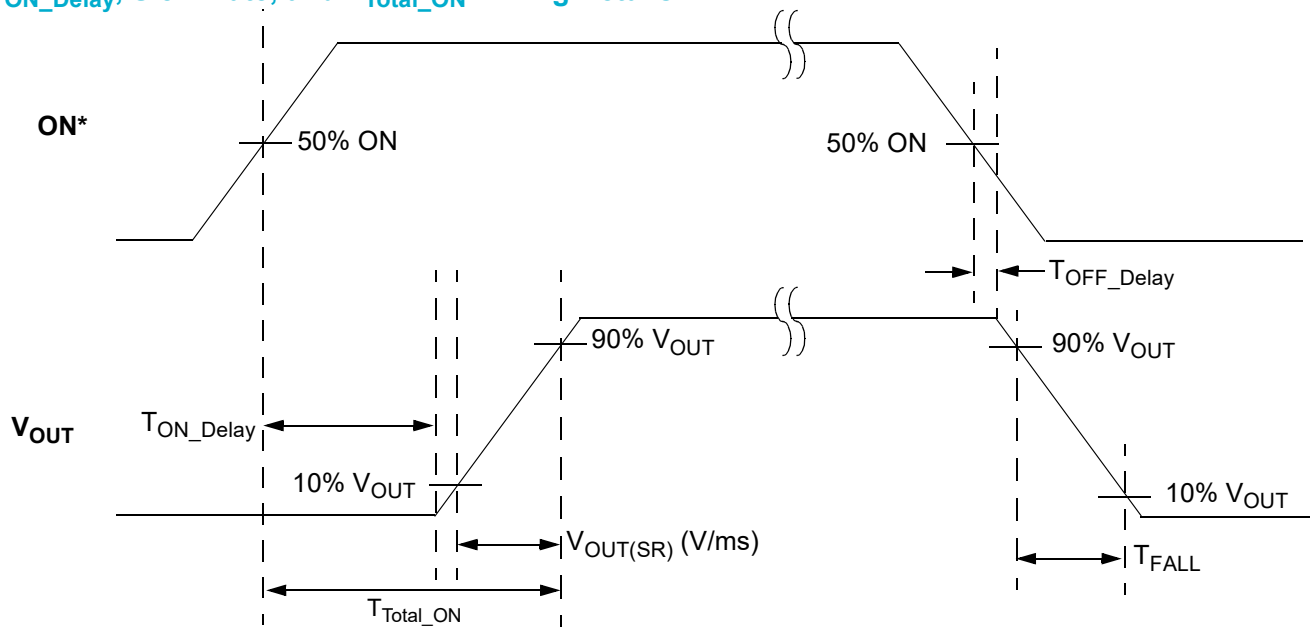
Notes:

1. Refer to typical Timing Parameter vs. C<sub>SLEW</sub> performance charts for additional information when available.
2. Based on bench characterization
3. Please consult SLG59M1717V Start-up Inrush Current Considerations with Capacitive Loads section starting on Page 14.

SLG59M1717V

An Ultra-small, 4 mΩ, 5 A Load Switch with PG Output

$T_{ON\_Delay}$ , Slew Rate, and  $T_{Total\_ON}$  Timing Details



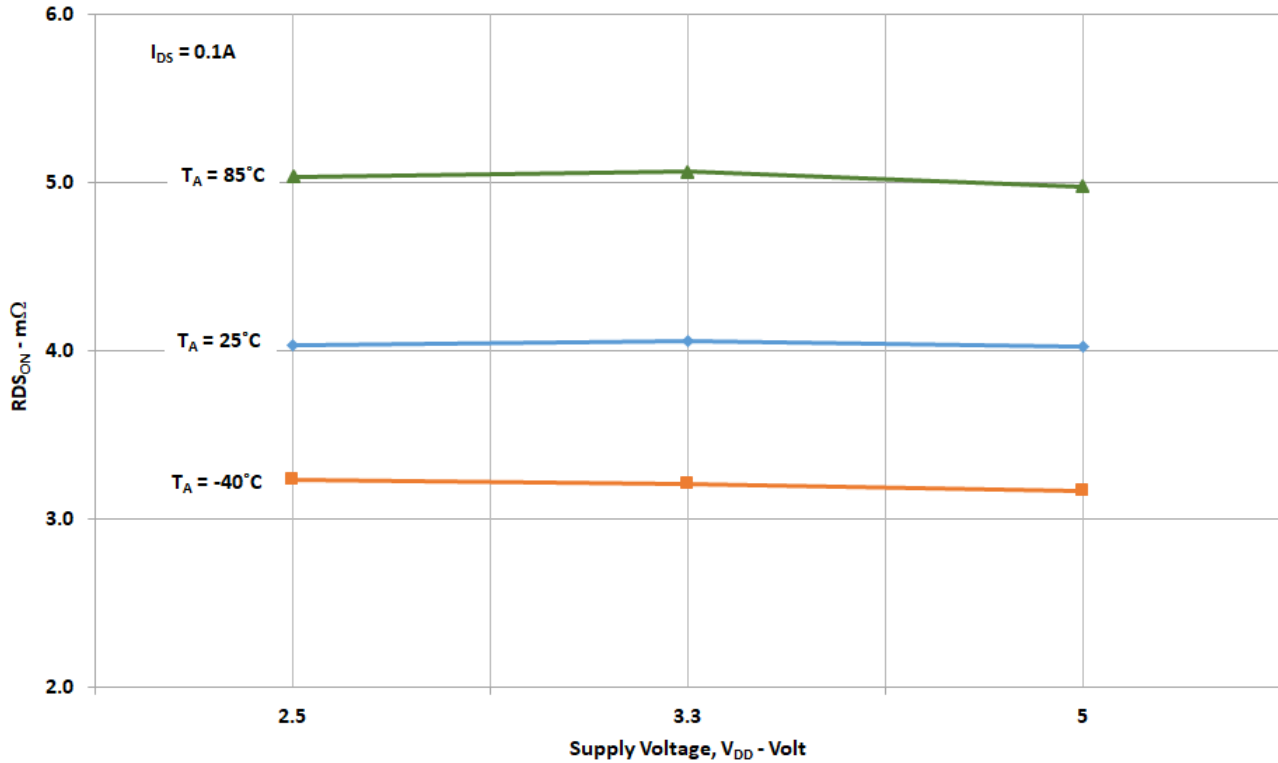
\* Rise and Fall times of the ON signal are 100 ns

# SLG59M1717V

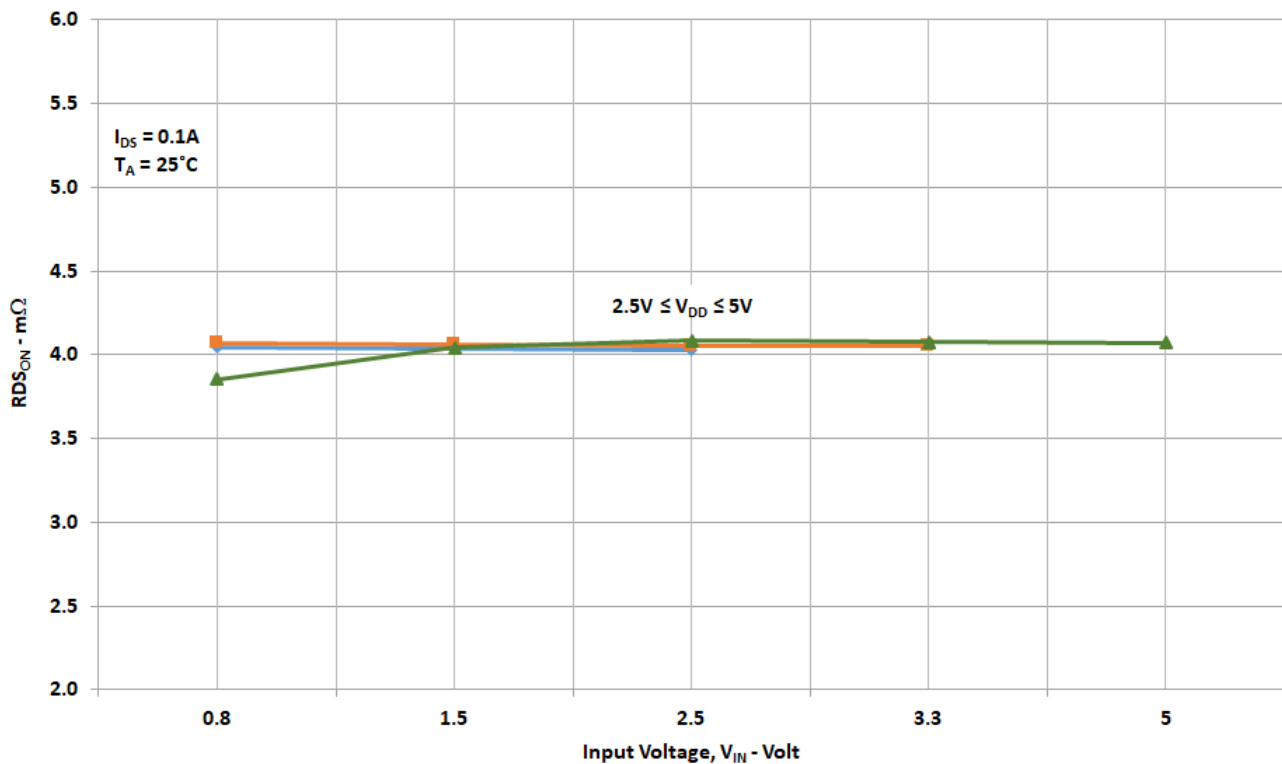
An Ultra-small, 4 mΩ, 5 A Load Switch with PG Output

## Typical Performance Characteristics

### RDS<sub>ON</sub> vs. V<sub>DD</sub>, and Temperature



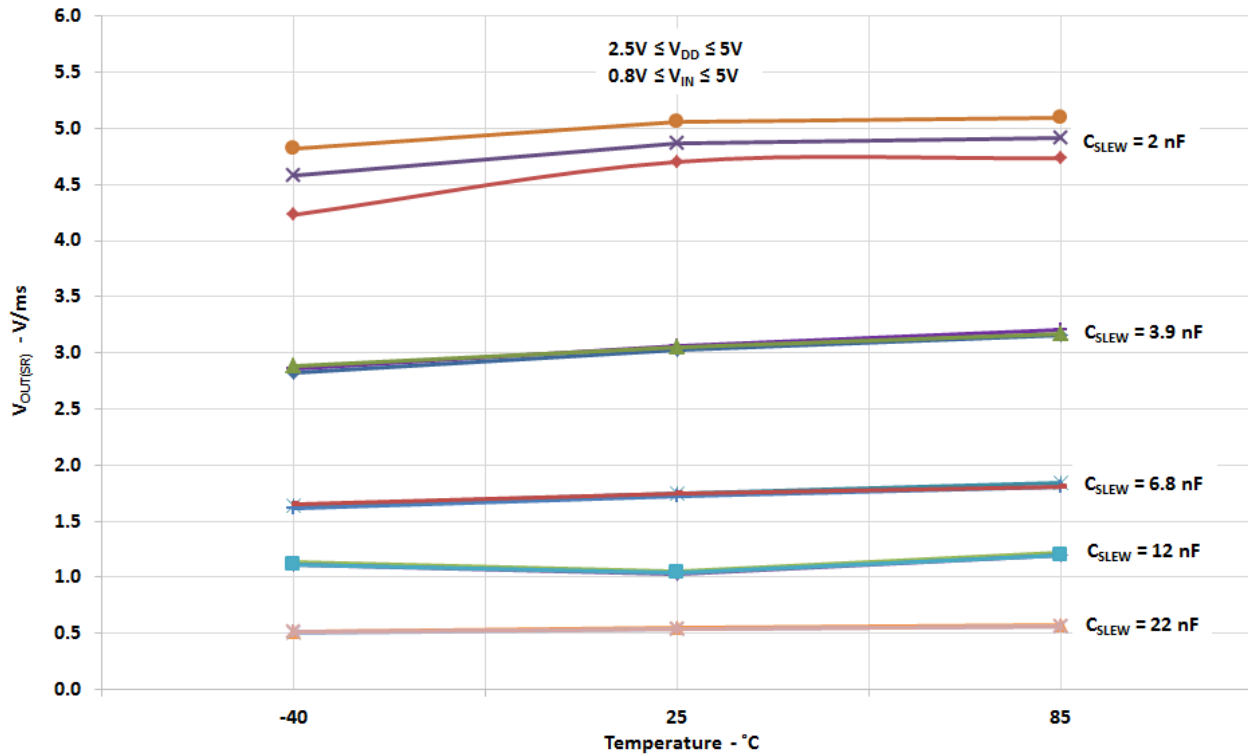
### RDS<sub>ON</sub> vs. V<sub>IN</sub> and V<sub>DD</sub>



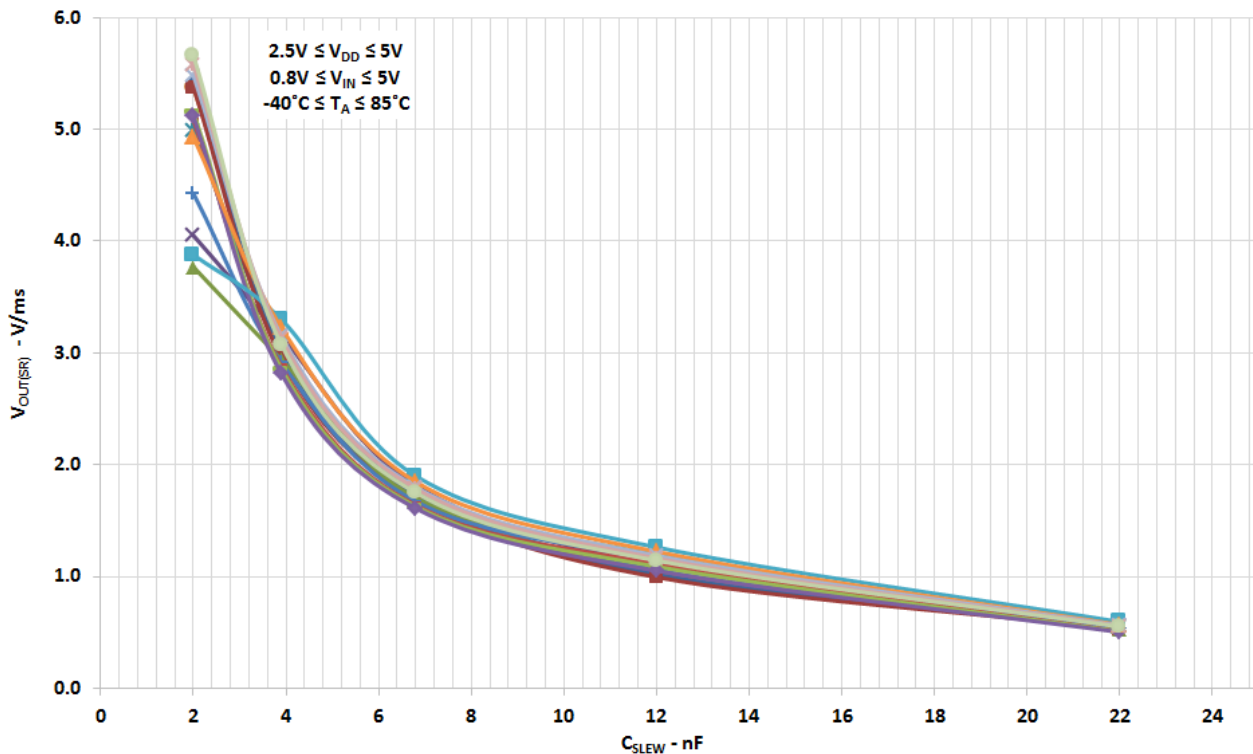
# SLG59M1717V

An Ultra-small, 4 mΩ, 5 A Load Switch with PG Output

## V<sub>OUT(SR)</sub> vs. Temperature, V<sub>IN</sub>, V<sub>DD</sub>, and C<sub>SLEW</sub>



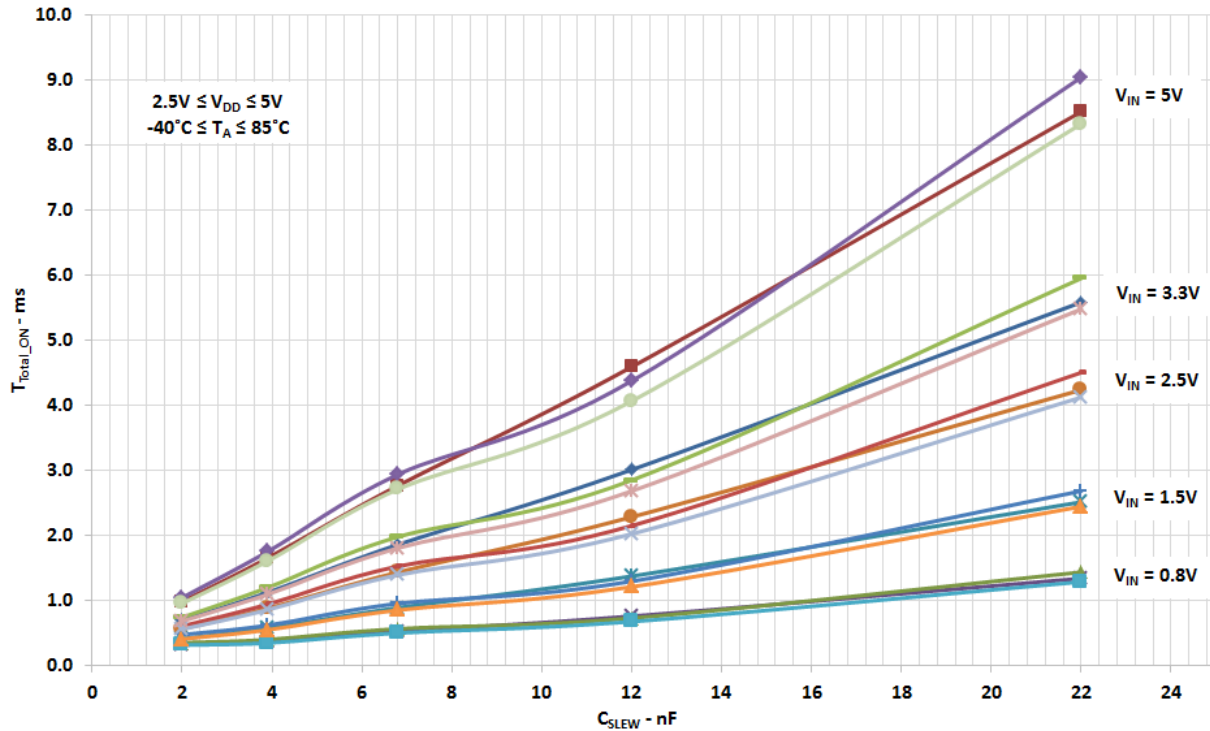
## V<sub>OUT(SR)</sub> vs. C<sub>SLEW</sub>, V<sub>IN</sub>, V<sub>DD</sub>, and Temperature



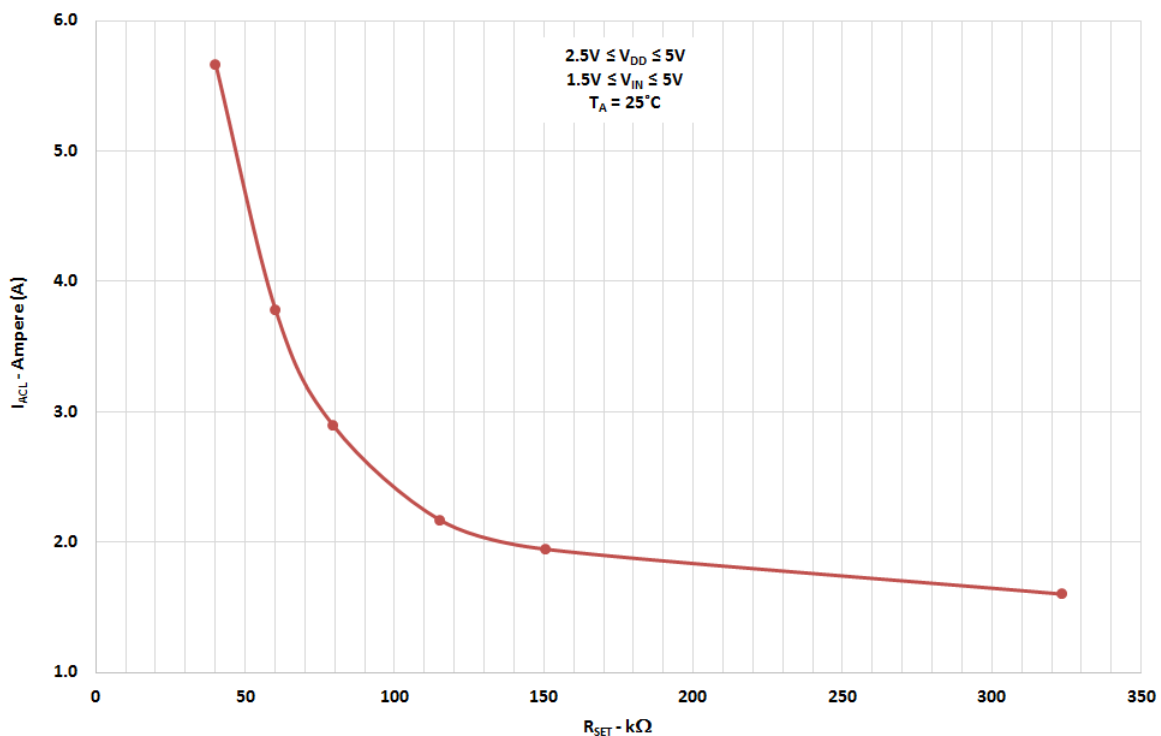
# SLG59M1717V

An Ultra-small, 4 mΩ, 5 A Load Switch with PG Output

## T<sub>Total\_ON</sub> vs. C<sub>SLEW</sub>, V<sub>IN</sub>, V<sub>DD</sub>, and Temperature



## I<sub>ACL</sub> vs. R<sub>SET</sub>, V<sub>DD</sub>, and V<sub>IN</sub>

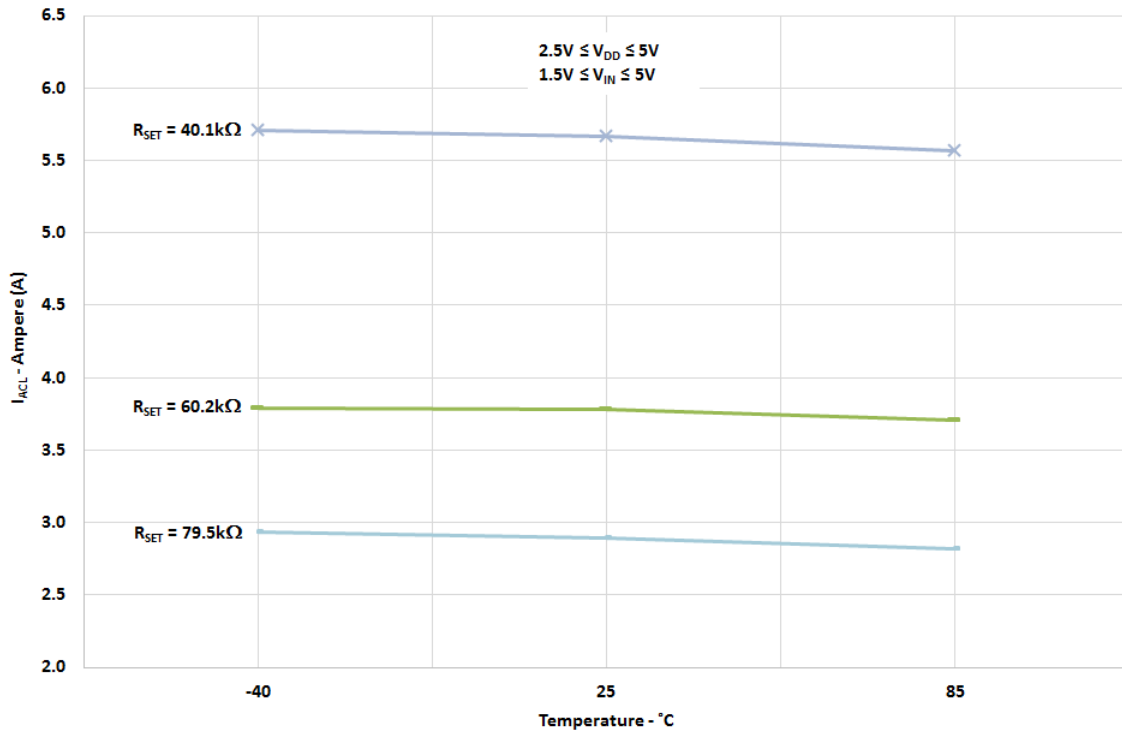




SLG59M1717V

An Ultra-small, 4 mΩ, 5 A Load Switch with PG Output

$I_{ACL}$  vs. Temperature,  $V_{DD}$ , and  $V_{IN}$



SLG59M1717V

An Ultra-small, 4 mΩ, 5 A Load Switch with PG Output

Typical Turn-on Waveforms

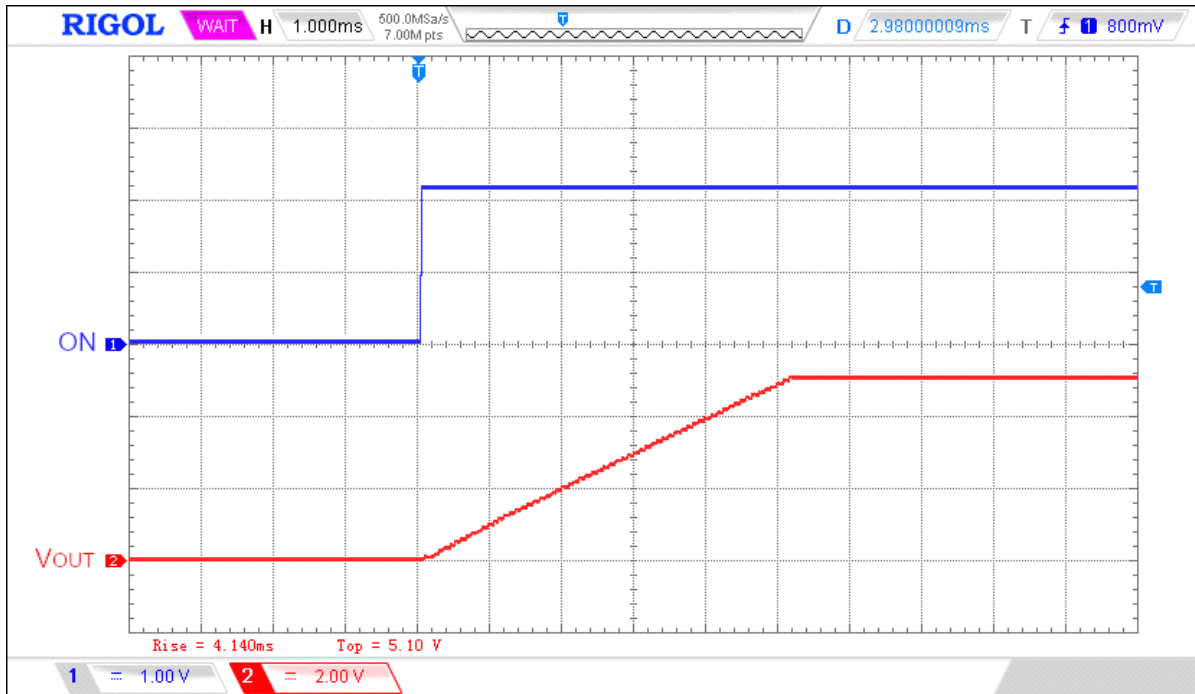


Figure 1. Typical Turn ON operation waveform for  $V_{DD} = V_D = 5\text{ V}$ ,  $C_{SLEW} = 12\text{ nF}$ ,  $C_{LOAD} = 10\text{ }\mu\text{F}$ ,  $R_{LOAD} = 20\text{ }\Omega$

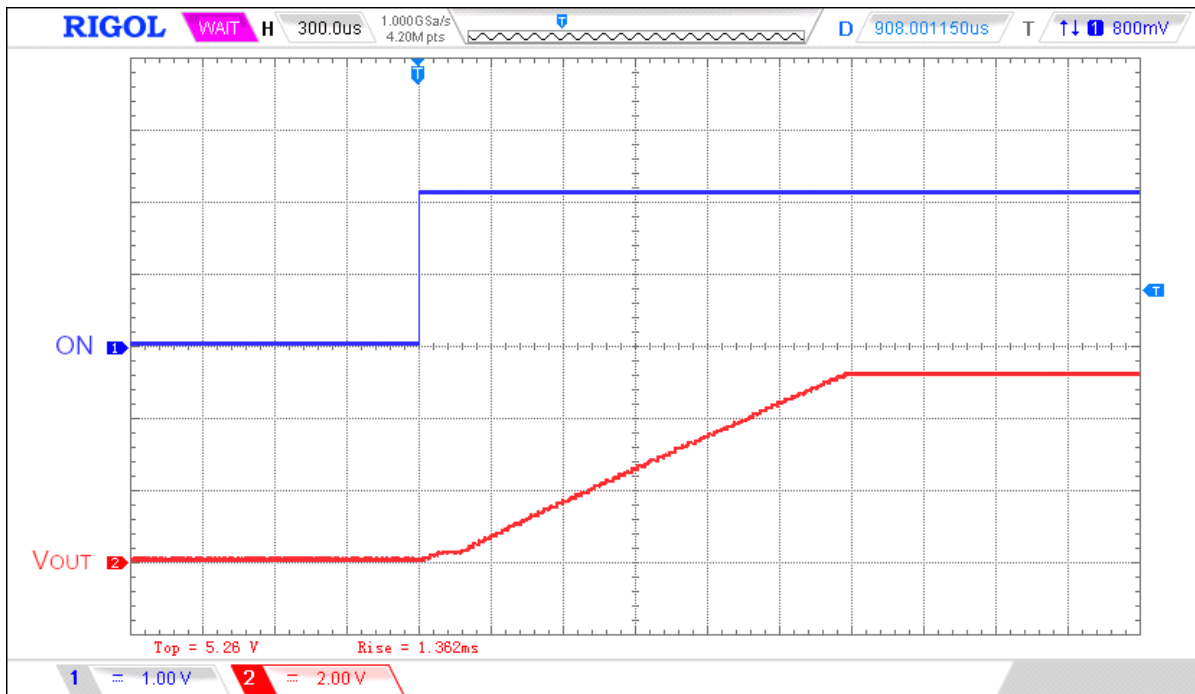


Figure 2. Typical Turn ON operation waveform for  $V_{DD} = V_D = 5\text{ V}$ ,  $C_{SLEW} = 4\text{ nF}$ ,  $C_{LOAD} = 10\text{ }\mu\text{F}$ ,  $R_{LOAD} = 20\text{ }\Omega$

SLG59M1717V

An Ultra-small, 4 mΩ, 5 A Load Switch with PG Output

Typical Turn-off Waveforms

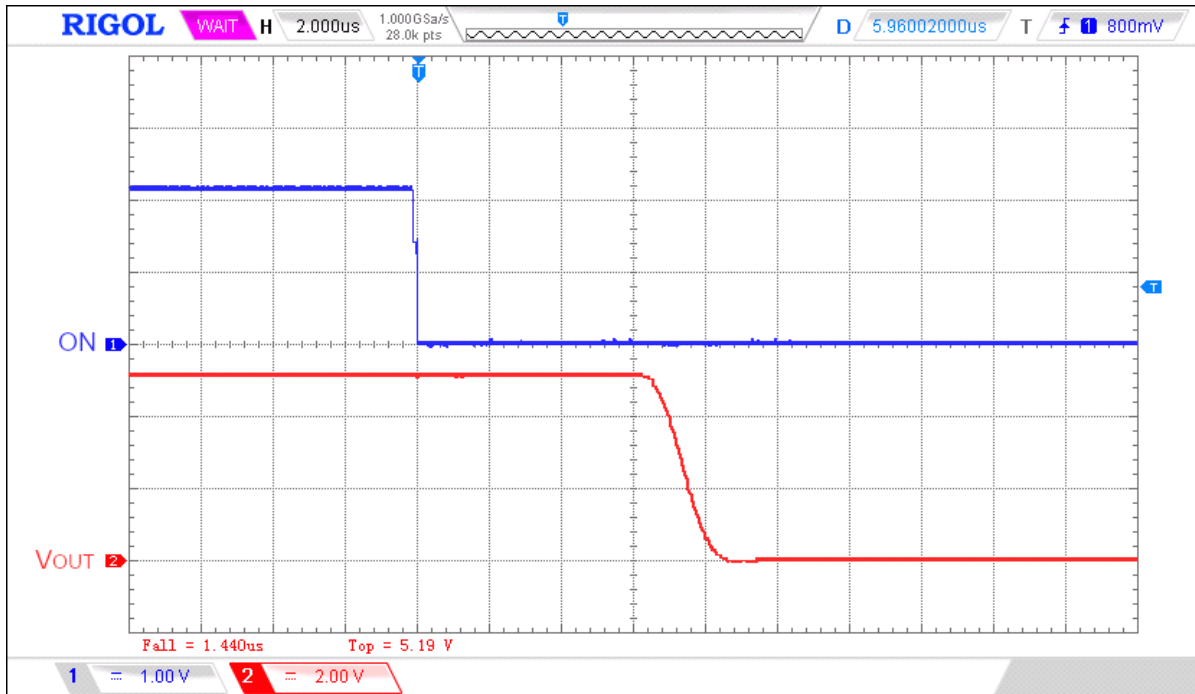


Figure 3. Typical Turn OFF operation waveform for  $V_{DD} = V_D = 5\text{ V}$ ,  $C_{SLEW} = 12\text{ nF}$ ,  $R_{LOAD} = 20\ \Omega$ , no  $C_{LOAD}$

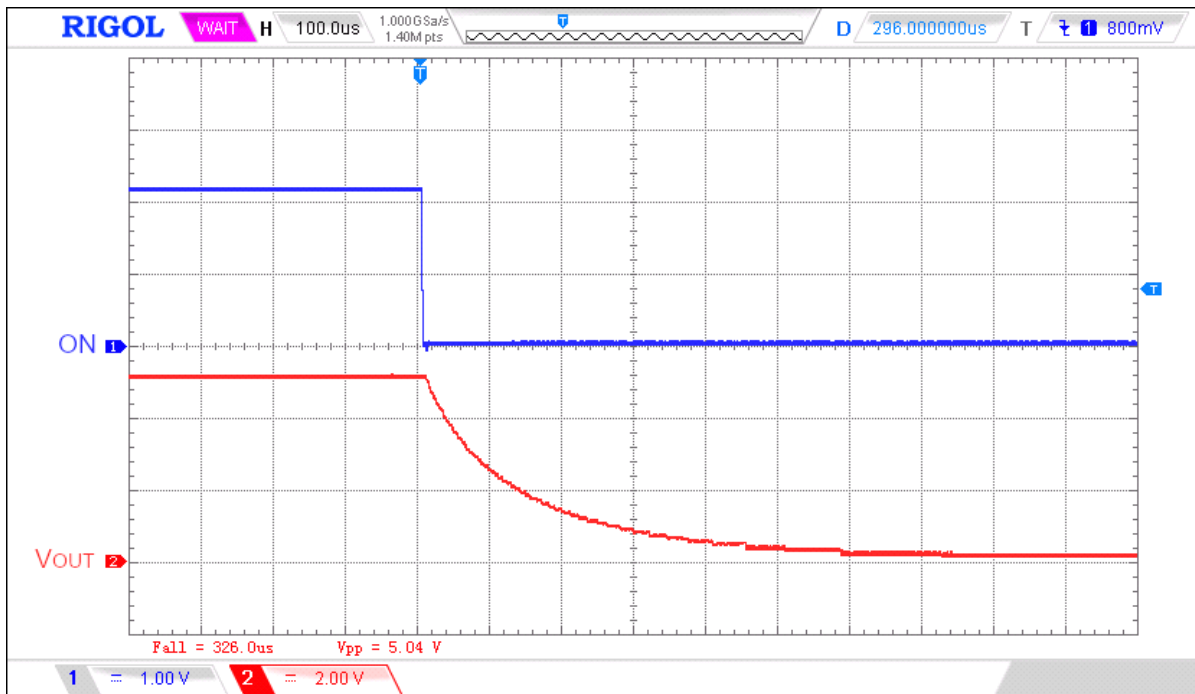
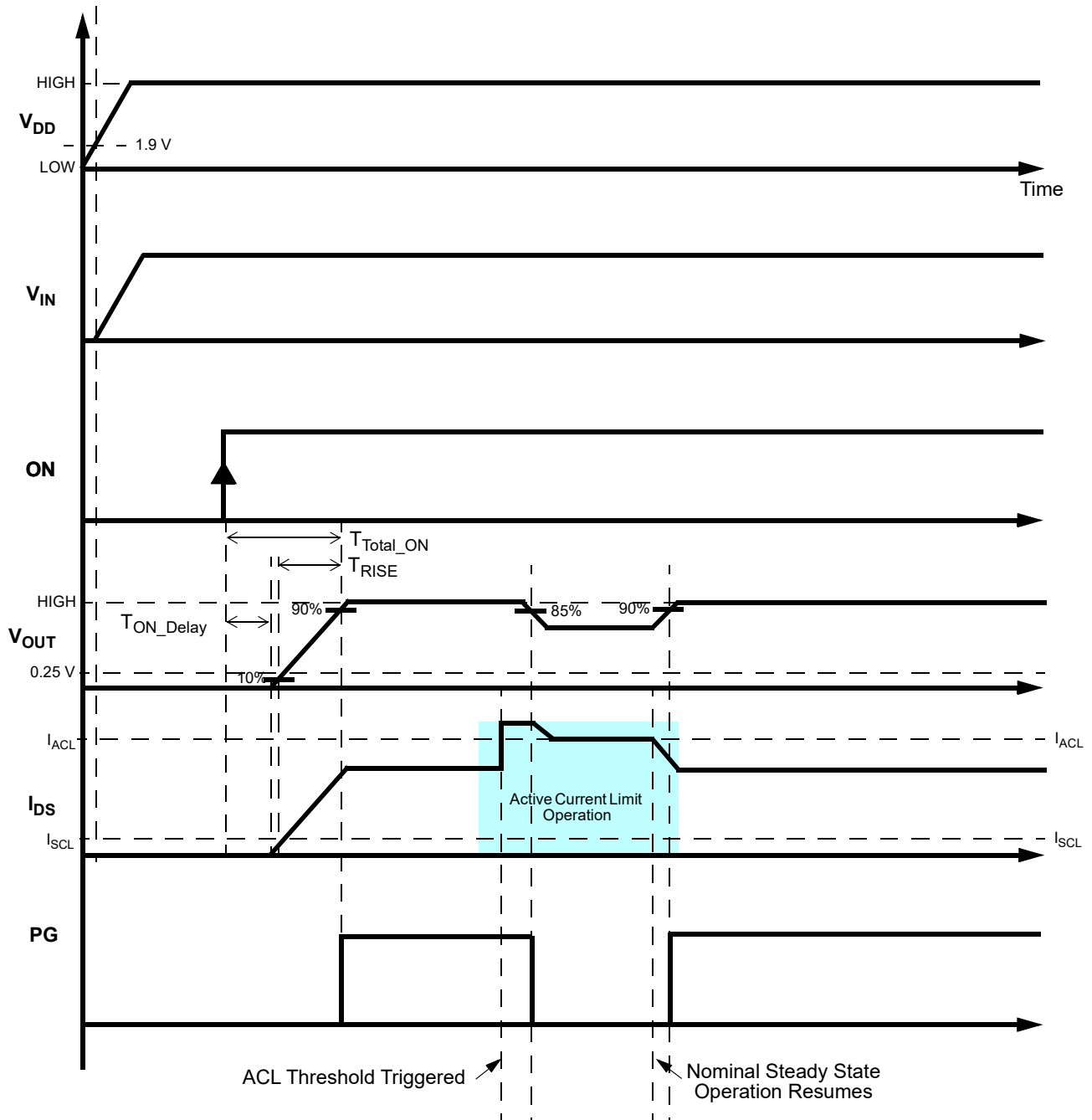


Figure 4. Typical Turn OFF operation waveform for  $V_{DD} = V_D = 5\text{ V}$ ,  $C_{SLEW} = 12\text{ nF}$ ,  $C_{LOAD} = 10\ \mu\text{F}$ ,  $R_{LOAD} = 20\ \Omega$

SLG59M1717V

An Ultra-small, 4 mΩ, 5 A Load Switch with PG Output

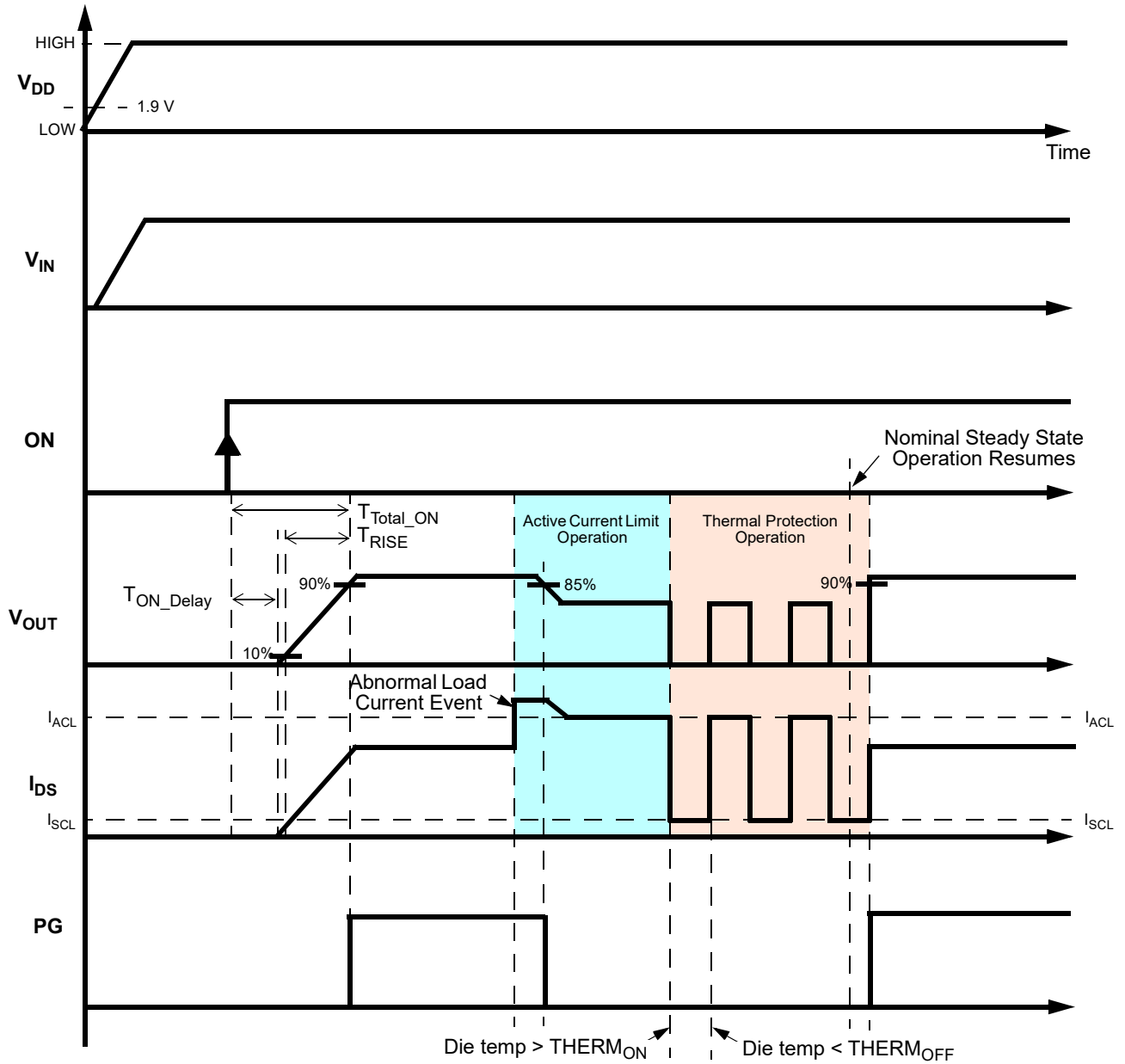
Timing Diagram - Basic Operation including Active Current Limit Protection



# SLG59M1717V

An Ultra-small, 4 mΩ, 5 A Load Switch with PG Output

## Timing Diagram - Active Current Limit & Thermal Protection Operation



## SLG59M1717V

An Ultra-small, 4 mΩ, 5 A  
Load Switch with PG Output

### SLG59M1717V Power-Up/Power-Down Sequence Considerations

To ensure glitch-free power-up under all conditions, apply  $V_{DD}$  first, followed by  $V_{IN}$  after  $V_{DD}$  exceeds 1.9 V. Then allow  $V_{IN}$  to reach 90% of its max value before toggling the ON pin from Low-to-High. Likewise, power-down in reverse order.

If  $V_{DD}$  and  $V_{IN}$  need to be powered up simultaneously, glitching can be minimized by having a suitable load capacitor. A 10 μF  $C_{LOAD}$  will prevent glitches for rise times of  $V_{DD}$  and  $V_{IN}$  higher than 2 ms.

If the ON pin is toggled HIGH before  $V_{DD}$  and  $V_{IN}$  have reached their steady-state values, the load switch timing parameters may differ from datasheet specifications.

The slew rate of output  $V_{OUT}$  follows a linear ramp set by a capacitor connected to the CAP pin. A larger capacitor value at the CAP pin produces a slower ramp, reducing inrush current from capacitive loads.

### SLG59M1717V Current Limiting Operation

The SLG59M1717V has two types of current limiting triggered by the output  $V_{OUT}$  voltage.

#### 1. Standard Current Limiting Mode (with Thermal Shutdown Protection)

When the  $V_{OUT}$  voltage > 250 mV, the output current is initially limited to the Active Current Limit ( $I_{ACL}$ ) specification listed in the Electrical Characteristics table. The ACL monitor's response time is very fast and is triggered within a few microseconds to sudden (transient) changes in load current. When a load current overload is detected, the ACL monitor increases the FET resistance to keep the current from exceeding the load switch's  $I_{ACL}$  threshold. During active current-limit operation,  $V_{OUT}$  is also reduced by  $I_{ACL} \times RDS_{ON(ACL)}$ . This observed behavior is illustrated in the timing diagrams on Pages 12 and 13.

However, if a load-current overload condition persists where the die temperature rises because of the increased FET resistance, the load switch's internal Thermal Shutdown Protection circuit can be activated. If the die temperature exceeds the listed  $THERM_{ON}$  specification, the FET is shut OFF completely, thereby allowing the die to cool. When the die cools to the listed  $THERM_{OFF}$  temperature threshold, the FET is allowed to turn back on. This process may repeat as long as the output current overload condition persists.

#### 2. Short Circuit Current Limiting Mode (with Thermal Shutdown Protection)

When the  $V_{OUT}$  voltage < 250 mV (which is the case with a hard short, such as a solder bridge on the power rail), the load switch's internal Short-circuit Current Limit (SCL) monitor limits the FET current to approximately 1.6 A (the  $I_{SCL}$  threshold). While the internal Thermal Shutdown Protection circuit remains enabled and since the  $I_{SCL}$  threshold is much lower than the  $I_{ACL}$  threshold, thermal shutdown protection may become activated only at higher ambient temperatures.

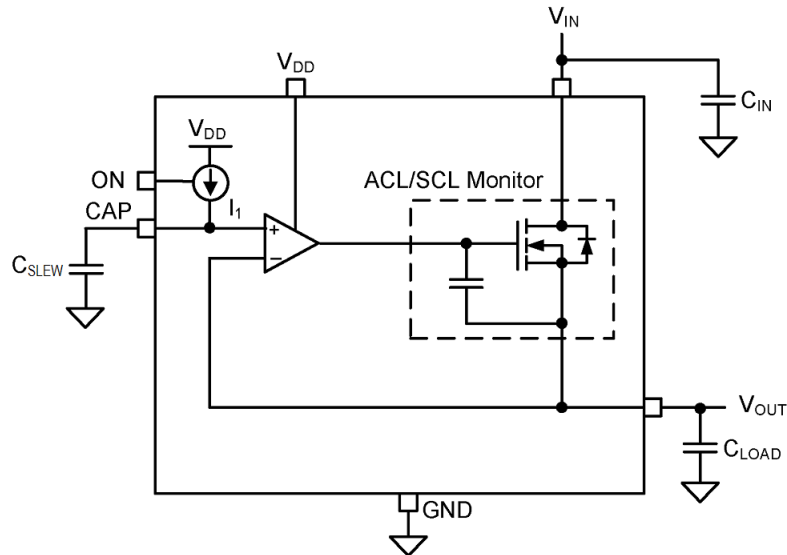
### SLG59M1717V Start-up Inrush Current Considerations with Capacitive Loads

In distributed power applications, the SLG59M1717V is generally implemented on the outboard or downstream side of switching regulator dc/dc converters with internal overcurrent protection. As an adjustable output voltage slew-rate, load switch, it is important to understand the start-up operation of the SLG59M1717V with capacitive loads. An equivalent circuit of the SLG59M1717V's slew-rate control loop with capacitors at its VIN and VOUT pins is shown in Figure 5:

## SLG59M1717V

An Ultra-small, 4 mΩ, 5 A  
Load Switch with PG Output

### SLG59M1717V Start-up Inrush Current Considerations with Capacitive Loads (continued)



**Figure 5. SLG59M1717V's Equivalent Slew-rate Control Loop Circuit**

For a desired  $V_{OUT(SR)}$  slew-rate ( $V_{OUT(SR)}$ ), a corresponding  $C_{SLEW}$  value is selected. At the  $V_{OUT}$  pin and with  $ON = LOW$ , the internal FET is OFF,  $V_{OUT}$  is initially at 0V, and there is no stored charge on  $C_{LOAD}$ . When a low-to-high transition is applied to the IC's  $ON$  pin, an internal current source ( $I_1$ ) is enabled which, in turn, charges the external slew-rate capacitor,  $C_{SLEW}$ . The SLG59M1717V's internal micropower op amp sets the circuit's  $V_{OUT(SR)}$  based on the slew rate of the nodal voltage at its non-inverting pin (the voltage at the  $CAP$  pin).

As a function of  $V_{OUT(SR)}$  and  $C_{LOAD}$ , a 1st order expression for the circuit's FET current (and inrush current) when a low-to-high transition on the  $ON$  pin is applied becomes:

$$\text{Start-up Current } I_{DS} \text{ or } I_{INRUSH} = V_{OUT(SR)} \times C_{LOAD}$$

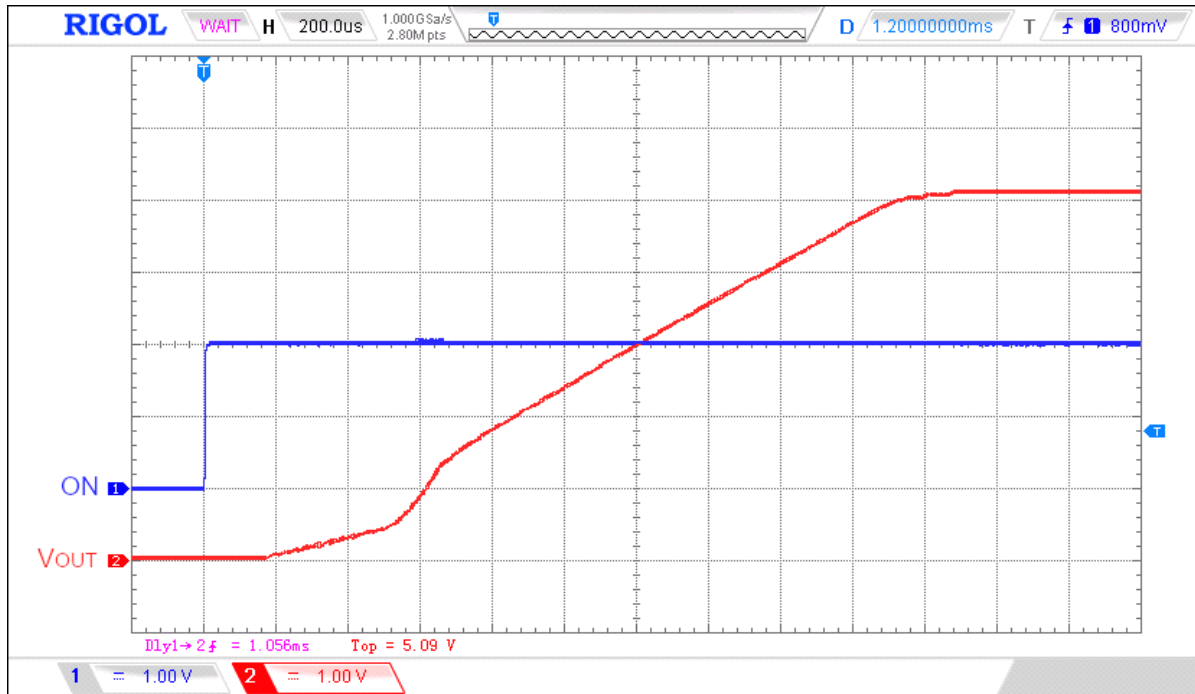
From the expression above and for a given  $V_{OUT(SR)}$ ,  $C_{LOAD}$  determines the magnitude of the inrush current; that is, for large values of  $C_{LOAD}$ , large inrush currents can result. If the inrush currents are large enough to trigger the overcurrent protection of an upstream dc/dc converter, the system can be shut down.

In applications where the desired  $V_{OUT(SR)}$  is fast and  $C_{LOAD}$  is very large ( $>200\mu F$ ), there is a secondary effect on the observed  $V_{OUT(SR)}$  attributed to the SLG59M1717V's internal short-circuit current limit monitor (its SCL monitor). If the resultant inrush current is larger than the IC's  $I_{SCL}$  threshold, the SCL current monitor limits the inrush current and the current to charge  $C_{LOAD}$  until the SCL OFF threshold is crossed ( $\sim 0.25V$ ). During the time the SCL monitor's been activated, the inrush current profile may exhibit an observable reduction in  $V_{OUT(SR)}$  as shown in Figure 6 where  $C_{SLEW}$  was set to 4nF and 470 $\mu F$  was chosen for  $C_{LOAD}$ .

## SLG59M1717V

An Ultra-small, 4 mΩ, 5 A Load Switch with PG Output

### SLG59M1717V Start-up Inrush Current Considerations with Capacitive Loads (continued)



**Figure 6. A SLG59M1717V with  $C_{SLEW}$  set to 4nF and 470μF for  $C_{LOAD}$ .  $C_{LOAD}$ -to- $C_{SLEW}$  ratio is greater than 33,600. Note that the internal SCL monitor's been triggered and  $V_{OUT(SR)}$  is reduced until  $V_{OUT}$  reaches ~0.25V.**

A closer analysis of the IC's internal slew-control large-scale yields the following:

$$\frac{I_{SCL}}{C_{LOAD}} = M_{SR} \times \frac{I_1}{C_{SLEW}}$$

where

$I_{SCL}$  = IC's short-circuit current limit threshold, typically 1.6 A;

$M_{SR}$  = An internal slew-rate multiplier from the IC's CAP pin to the VOUT pin;

$I_1$  = An internal current source to charge the external  $C_{SLEW}$ .

Rearranging the equation to isolate both  $C_{LOAD}$  and  $C_{SLEW}$  yields the following:

$$\frac{C_{LOAD}}{C_{SLEW}} = \frac{I_{SCL}}{I_1 \times M_{SR}}$$

For the SLG59M1717V device, the right-hand side of the expression is approximately 33,600 after taking into account part-to-part variations because of process, voltage, and temperature.

Referring to the configuration of Figure 6's scope capture, the  $C_{LOAD}$ -to- $C_{SLEW}$  ratio is 117,500 (470μF/4nF) where it is evident that the SCL monitor circuit is charging  $C_{LOAD}$  shortly after a low-to-high ON transition. If it is desired to avoid a reduction in  $V_{OUT(SR)}$ , the choices are decreasing  $C_{LOAD}$  and/or increasing  $C_{SLEW}$  so that the ratio is always less than 33,600 including taking into account external capacitor tolerances for initial accuracy and temperature.

As shown in Figure 7, it was chosen to reduce  $V_{OUT(SR)}$  by increasing  $C_{SLEW}$  to 15nF while keeping  $C_{LOAD}$  at 470μF. With this configuration, the ratio of  $C_{LOAD}$  to  $C_{SLEW}$  is about 31,333 (smaller than 33,600). Upon a low-to-high transition on the ON pin, the  $V_{OUT}$  increases smoothly with no evidence of SCL monitor's interaction.



## SLG59M1717V

An Ultra-small, 4 mΩ, 5 A Load Switch with PG Output

### SLG59M1717V Start-up Inrush Current Considerations with Capacitive Loads (continued)

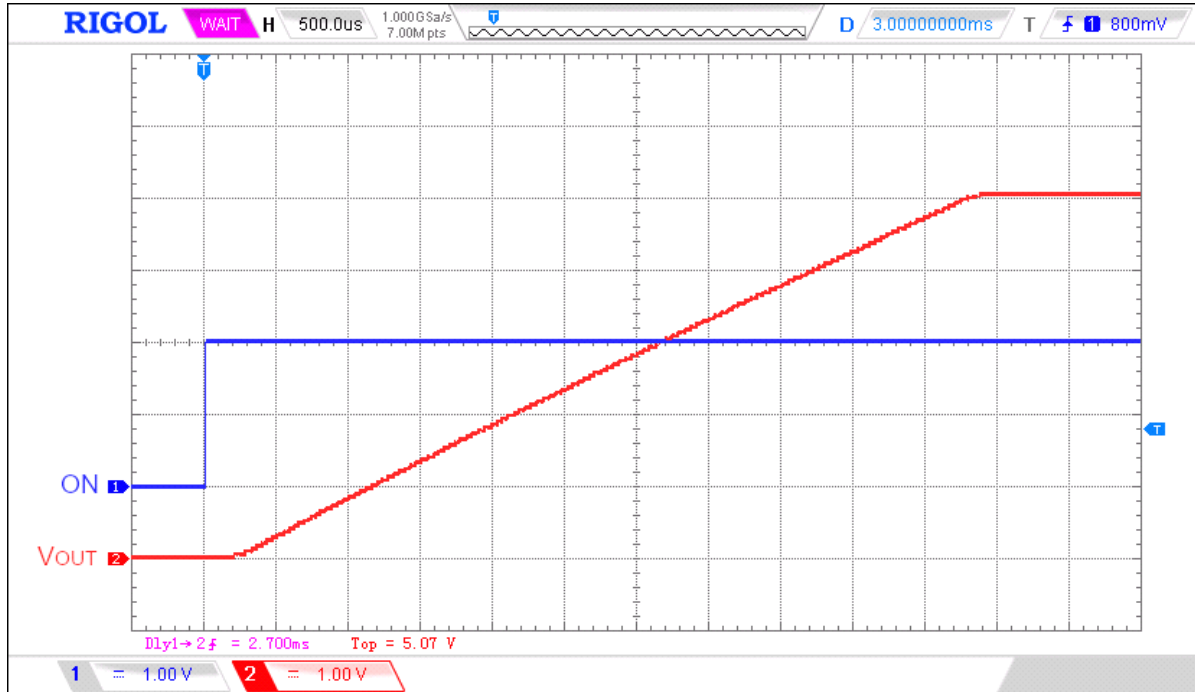


Figure 7. A SLG59M1717V with  $C_{SLEW}$  set to 15nF and 470μF retained for  $C_{LOAD}$ .  $C_{LOAD}$ -to- $C_{SLEW}$  ratio is smaller than 33,600. Note smooth  $V_{OUT}$  transition.

### Setting the SLG59M1717V Output Current Limit with $R_{SET}$

The current-limit operation of the SLG59M1717V begins by choosing the appropriate  $\pm 1\%$ -tolerance  $R_{SET}$  value for the application. The recommended range for  $R_{SET}$  is:

$$38 \text{ k}\Omega \leq R_{SET} \leq 80 \text{ k}\Omega$$

which corresponds to an output constant current limit in the following range:

$$2.85 \text{ A} \leq I_{ACL} \leq 6 \text{ A}$$

Table 1: Setting Current Limit Threshold vs.  $R_{SET}$

Active Current Limit (A)	$R_{SET}$ (kΩ)
2.85	80
3.8	60
6	38

## SLG59M1717V

### An Ultra-small, 4 mΩ, 5 A Load Switch with PG Output

#### Power Dissipation

The junction temperature of the SLG59M1717V depends on different factors such as board layout, ambient temperature, and other environmental factors. The primary contributor to the increase in the junction temperature of the SLG59M1717V is the power dissipation of its power MOSFET. Its power dissipation and the junction temperature in nominal operating mode can be calculated using the following equations:

$$PD = R_{DS_{ON}} \times I_{DS}^2$$

where:

PD = Power dissipation, in Watts (W)

$R_{DS_{ON}}$  = Power MOSFET ON resistance, in Ohms ( $\Omega$ )

$I_{DS}$  = Output current, in Amps (A)

and

$$T_J = PD \times \theta_{JA} + T_A$$

where:

$T_J$  = Junction temperature, in Celsius degrees ( $^{\circ}\text{C}$ )

$\theta_{JA}$  = Package thermal resistance, in Celsius degrees per Watt ( $^{\circ}\text{C}/\text{W}$ )

$T_A$  = Ambient temperature, in Celsius degrees ( $^{\circ}\text{C}$ )

During active current-limit operation, the SLG59M1717V's power dissipation can be calculated by taking into account the voltage drop across the load switch ( $V_{IN} - V_{OUT}$ ) and the magnitude of the output current in active current-limit operation ( $I_{ACL}$ ):

$$PD = (V_{IN} - V_{OUT}) \times I_{ACL} \text{ or}$$

$$PD = (V_{IN} - (R_{LOAD} \times I_{ACL})) \times I_{ACL}$$

where:

PD = Power dissipation, in Watts (W)

$V_{IN}$  = Input Voltage, in Volts (V)

$R_{LOAD}$  = Load Resistance, in Ohms ( $\Omega$ )

$I_{ACL}$  = Output limited current, in Amps (A)

$V_{OUT} = R_{LOAD} \times I_{ACL}$

## SLG59M1717V

An Ultra-small, 4 mΩ, 5 A Load Switch with PG Output

### Layout Guidelines:

1. The VDD pin needs a 0.1μF (or larger) external capacitor to smooth pulses from the power supply. Locate this capacitor as close as possible to the SLG59M1717V's pin 1.
2. Since the VIN and VOUT pins dissipate most of the heat generated during high-load current operation, it is highly recommended to make power traces as short, direct, and wide as possible. A good practice is to make power traces with absolute minimum widths of 15 mils (0.381 mm) per Ampere. A representative layout, shown in [Figure 8](#), illustrates proper techniques for heat to transfer as efficiently as possible out of the device;
3. To minimize the effects of parasitic trace inductance on normal operation, it is recommended to connect input C<sub>IN</sub> and output C<sub>LOAD</sub> low-ESR capacitors as close as possible to the SLG59M1717V's VIN and VOUT pins;
4. The GND pin should be connected to system analog or power ground plane.
5. 2 oz. copper is recommended for high current operation.

### SLG59M1717V Evaluation Board:

A GreenFET Evaluation Board for SLG59M1717V is designed according to the statements above and is illustrated on [Figure 8](#). Please note that evaluation board has D\_Sense and S\_Sense pads. They cannot carry high currents and dedicated only for RDS<sub>ON</sub> evaluation.

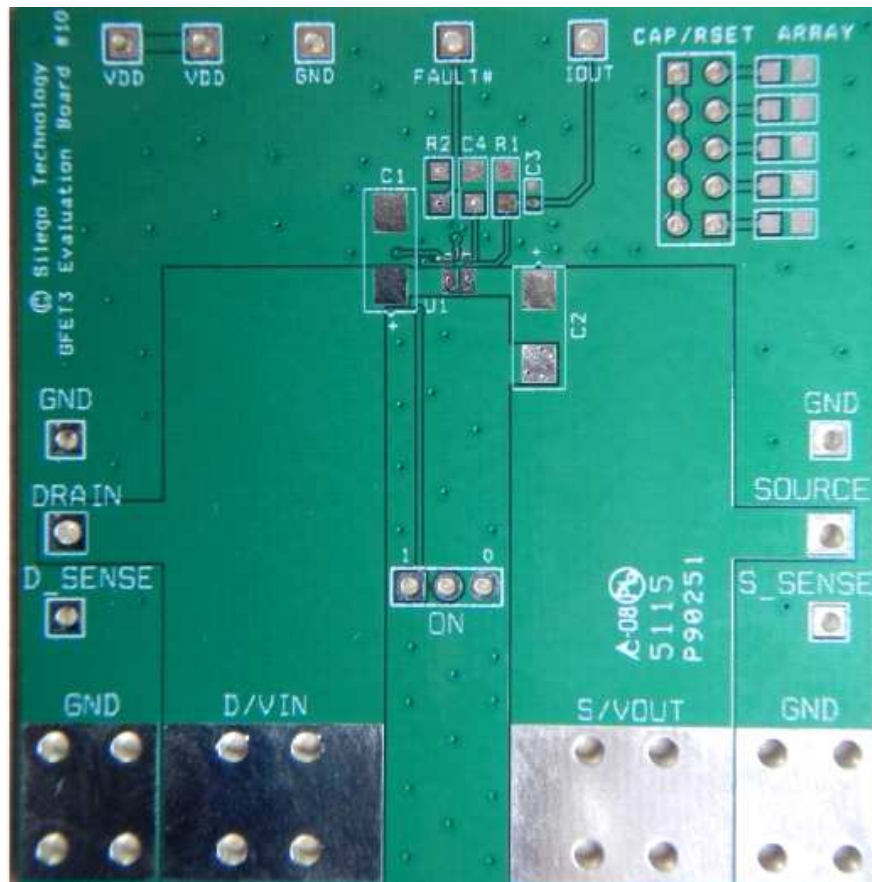


Figure 8. SLG59M1717V Evaluation Board

# SLG59M1717V

An Ultra-small, 4 mΩ, 5 A Load Switch with PG Output

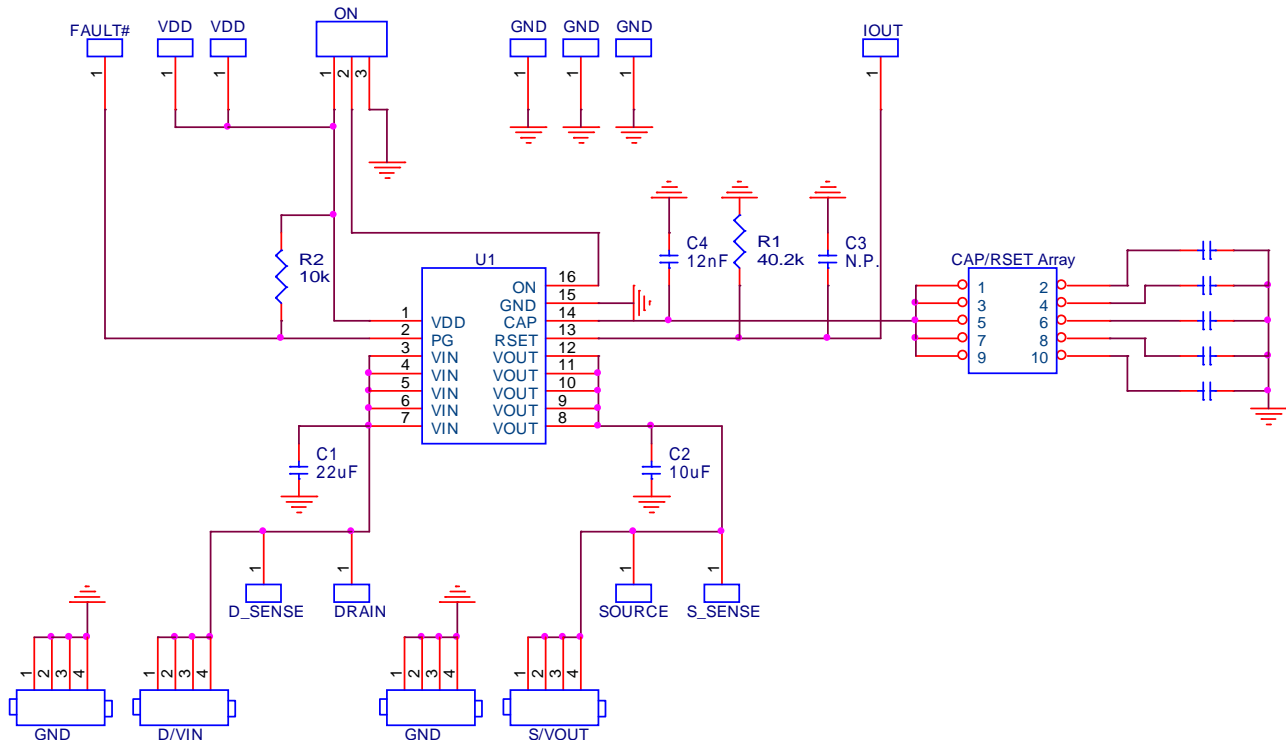


Figure 9. SLG59M1717V Evaluation Board Connection Circuit

## Basic Test Setup and Connections

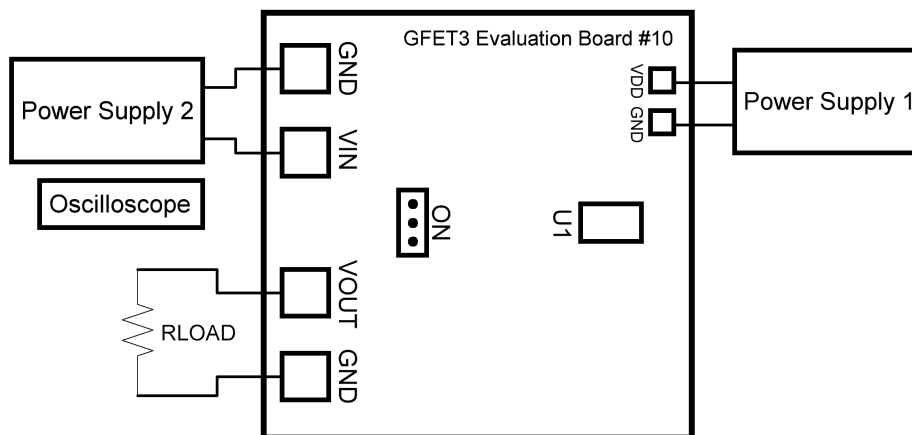


Figure 10. SLG59M1717V Evaluation Board Connection Circuit

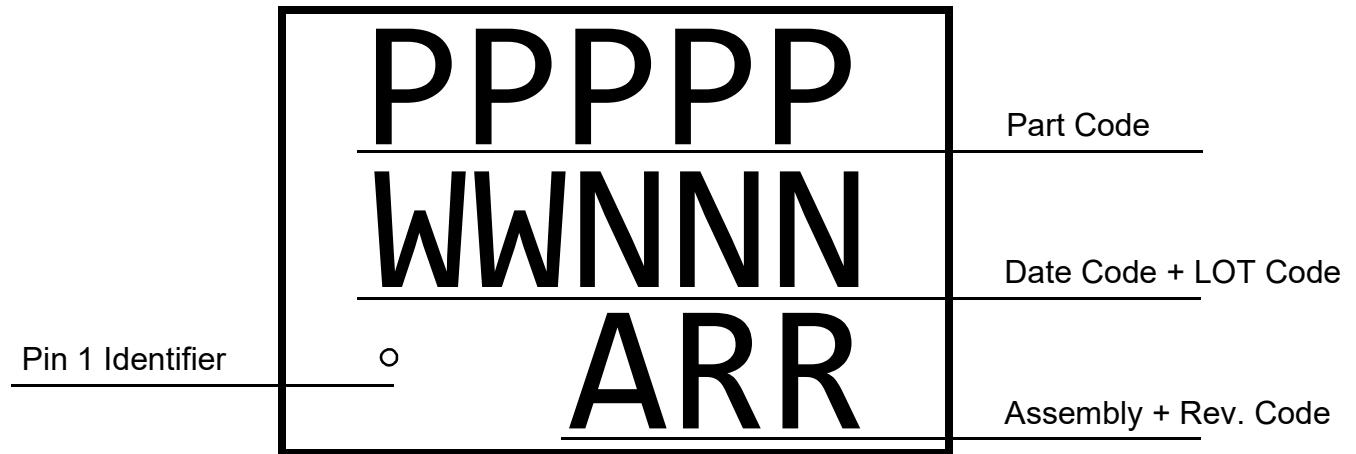
### EVB Configuration

1. Connect oscilloscope probes to D/VIN, S/VOUT, ON, etc.;
2. Turn on Power Supply 1 and set desired  $V_{DD}$  from 2.5 V...5.5 V range;
3. Turn on Power Supply 2 and set desired  $V_{IN}$  from 0.8 V... $V_{DD}$  range;
4. Toggle the ON signal High or Low to observe SLG59M1717V operation.

**SLG59M1717V**

An Ultra-small, 4 mΩ, 5 A  
Load Switch with PG Output

**Package Top Marking System Definition**



- PPPPP - Part ID Field
- WW - Date Code Field<sup>1</sup>
- NNN - Lot Traceability Code Field<sup>1</sup>
- A - Assembly Site Code Field<sup>2</sup>
- RR - Part Revision Code Field<sup>2</sup>

Note 1: Each character in code field can be alphanumeric A-Z and 0-9

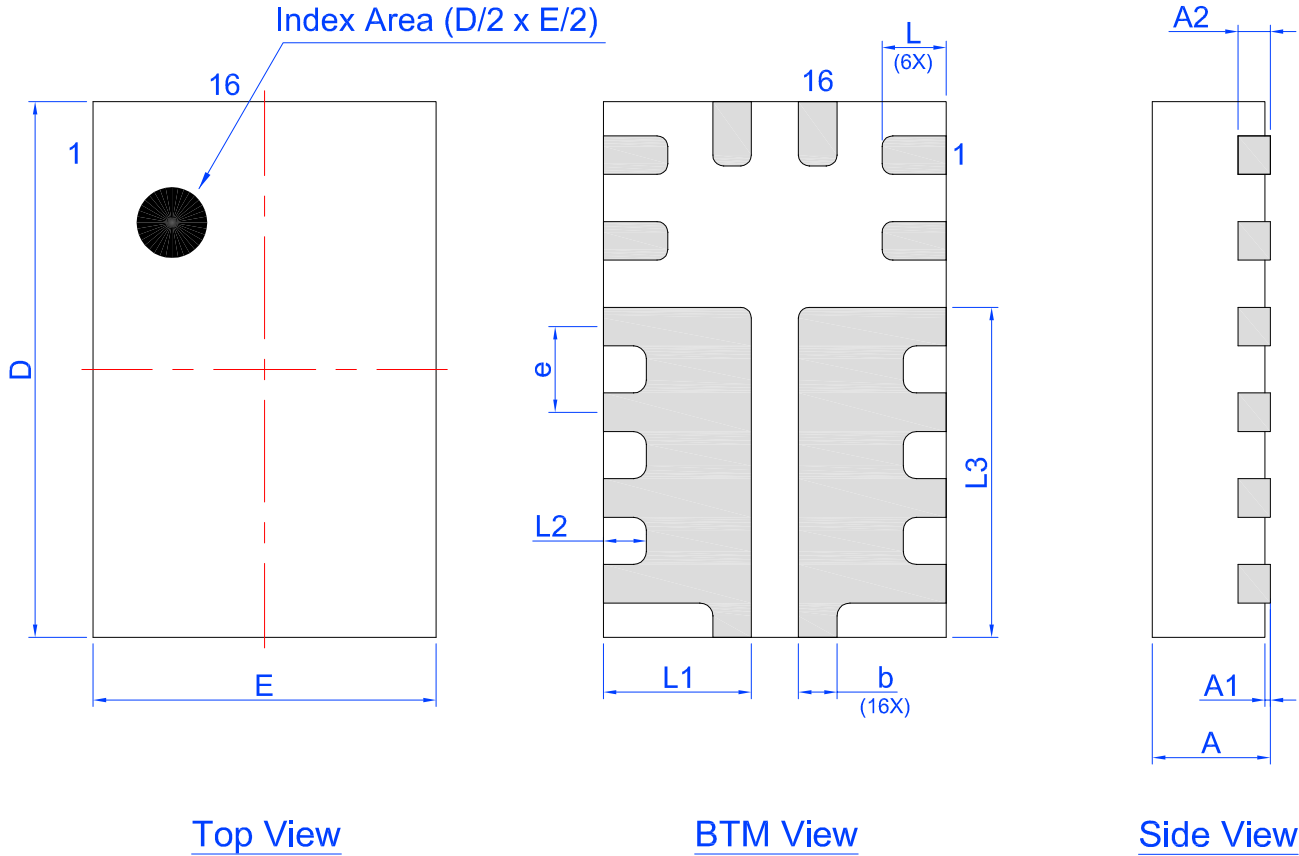
Note 2: Character in code field can be alphabetic A-Z

# SLG59M1717V

An Ultra-small, 4 mΩ, 5 A Load Switch with PG Output

## Package Drawing and Dimensions

16 Lead STQFN Package 1.6 mm x 2.5 mm (Fused Lead)



Unit: mm

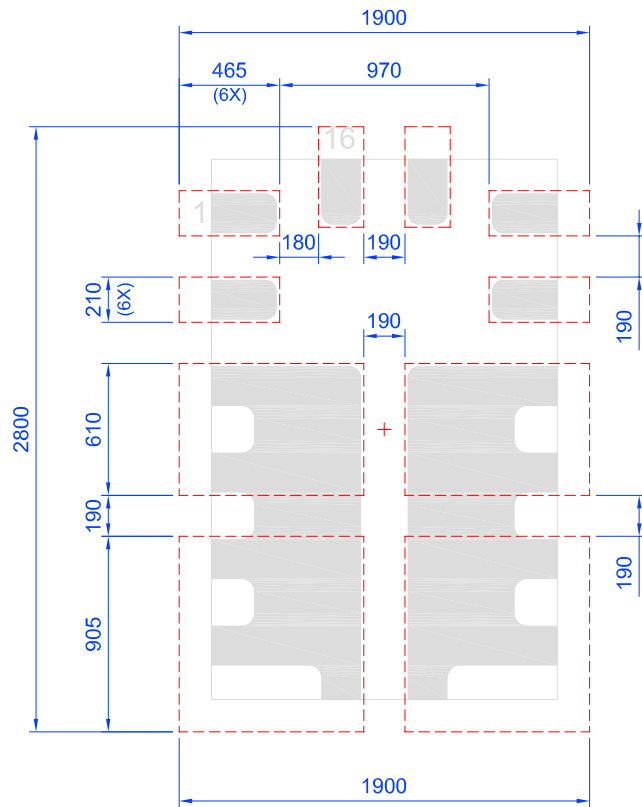
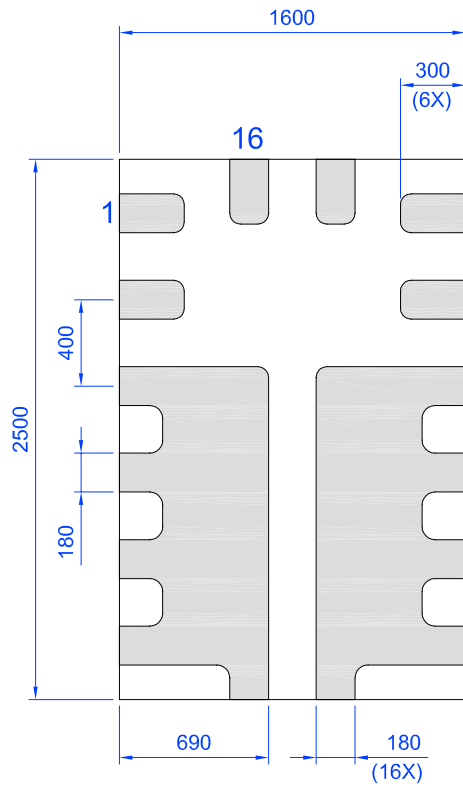
Symbol	Min	Nom.	Max	Symbol	Min	Nom.	Max
A	0.50	0.55	0.60	D	2.45	2.50	2.55
A1	0.005	-	0.05	E	1.55	1.60	1.65
A2	0.10	0.15	0.20	L	0.25	0.30	0.35
b	0.13	0.18	0.23	L1	0.64	0.69	0.74
e	0.40 BSC			L2	0.15	0.20	0.25
				L3	1.49	1.54	1.59

**SLG59M1717V**

An Ultra-small, 4 mΩ, 5 A Load Switch with PG Output

**SLG59M1717V 16-pin STQFN PCB Landing Pattern**

Exposed Pad (PKG face down)  
 Recommended Land Pattern (PKG face down)



Unit: μm

## SLG59M1717V

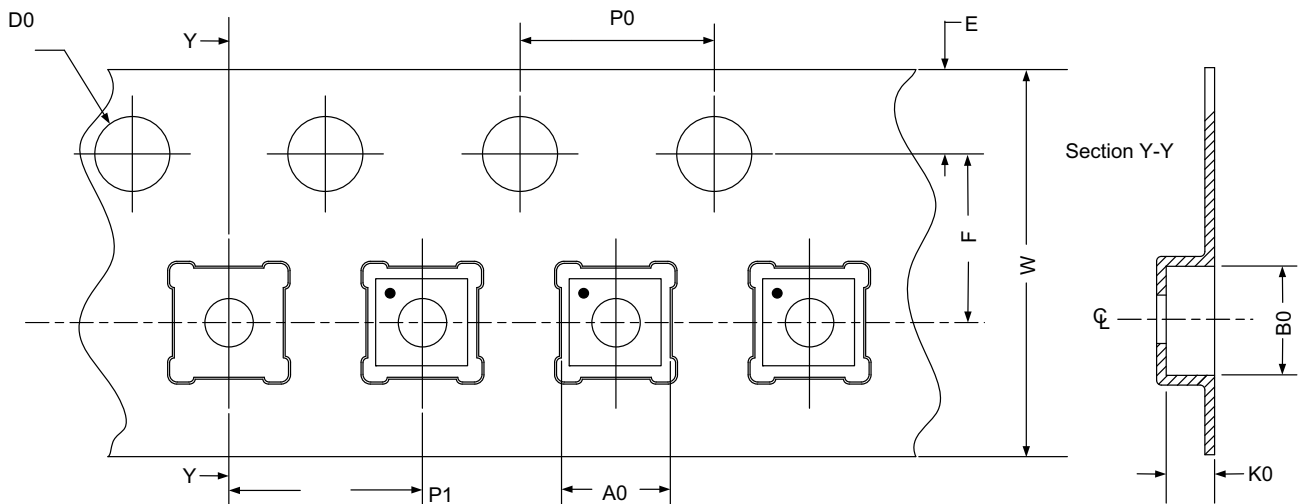
An Ultra-small, 4 mΩ, 5 A  
Load Switch with PG Output

### Tape and Reel Specifications

Package Type	# of Pins	Nominal Package Size [mm]	Max Units		Reel & Hub Size [mm]	Leader (min)		Trailer (min)		Tape Width [mm]	Part Pitch [mm]
			per Reel	per Box		Pockets	Length [mm]	Pockets	Length [mm]		
STQFN 16L 1.6x2.5mm 0.4P FCA Green	16	1.6x2.5x 0.55mm	3000	3000	178/60	100	400	100	400	8	4

### Carrier Tape Drawing and Dimensions

Package Type	Pocket BTM Length	Pocket BTM Width	Pocket Depth	Index Hole Pitch	Pocket Pitch	Index Hole Diameter	Index Hole to Tape Edge	Index Hole to Pocket Center	Tape Width
	A0	B0	K0	P0	P1	D0	E	F	W
STQFN 16L 1.6x2.5mm 0.4P FCA Green	1.8	2.8	0.7	4	4	1.55	1.75	3.5	8



Refer to EIA-481 specification

### Recommended Reflow Soldering Profile

Please see IPC/JEDEC J-STD-020: latest revision for reflow profile based on package volume of 2.2 mm<sup>3</sup> (nominal). More information can be found at [www.jedec.org](http://www.jedec.org).



## SLG59M1717V

An Ultra-small, 4 mΩ, 5 A  
Load Switch with PG Output

### Revision History

Date	Version	Change
2/3/2022	1.03	Updated Company name and logo Fixed typos
11/26/2018	1.02	Fixed typos Updated Charts Added Layout Guidelines
7/10/2018	1.01	Updated Style and Formatting
2/23/2017	1.00	Production Release

## IMPORTANT NOTICE AND DISCLAIMER

RENESAS ELECTRONICS CORPORATION AND ITS SUBSIDIARIES (“RENESAS”) PROVIDES TECHNICAL SPECIFICATIONS AND RELIABILITY DATA (INCLUDING DATASHEETS), DESIGN RESOURCES (INCLUDING REFERENCE DESIGNS), APPLICATION OR OTHER DESIGN ADVICE, WEB TOOLS, SAFETY INFORMATION, AND OTHER RESOURCES “AS IS” AND WITH ALL FAULTS, AND DISCLAIMS ALL WARRANTIES, EXPRESS OR IMPLIED, INCLUDING, WITHOUT LIMITATION, ANY IMPLIED WARRANTIES OF MERCHANTABILITY, FITNESS FOR A PARTICULAR PURPOSE, OR NON-INFRINGEMENT OF THIRD-PARTY INTELLECTUAL PROPERTY RIGHTS.

These resources are intended for developers who are designing with Renesas products. You are solely responsible for (1) selecting the appropriate products for your application, (2) designing, validating, and testing your application, and (3) ensuring your application meets applicable standards, and any other safety, security, or other requirements. These resources are subject to change without notice. Renesas grants you permission to use these resources only to develop an application that uses Renesas products. Other reproduction or use of these resources is strictly prohibited. No license is granted to any other Renesas intellectual property or to any third-party intellectual property. Renesas disclaims responsibility for, and you will fully indemnify Renesas and its representatives against, any claims, damages, costs, losses, or liabilities arising from your use of these resources. Renesas' products are provided only subject to Renesas' Terms and Conditions of Sale or other applicable terms agreed to in writing. No use of any Renesas resources expands or otherwise alters any applicable warranties or warranty disclaimers for these products.

(Disclaimer Rev.1.01 Jan 2024)

### Corporate Headquarters

TOYOSU FORESIA, 3-2-24 Toyosu,  
Koto-ku, Tokyo 135-0061, Japan  
[www.renesas.com](http://www.renesas.com)

### Trademarks

Renesas and the Renesas logo are trademarks of Renesas Electronics Corporation. All trademarks and registered trademarks are the property of their respective owners.

### Contact Information

For further information on a product, technology, the most up-to-date version of a document, or your nearest sales office, please visit [www.renesas.com/contact-us/](http://www.renesas.com/contact-us/).