

To our customers,

---

## Old Company Name in Catalogs and Other Documents

---

On April 1<sup>st</sup>, 2010, NEC Electronics Corporation merged with Renesas Technology Corporation, and Renesas Electronics Corporation took over all the business of both companies. Therefore, although the old company name remains in this document, it is a valid Renesas Electronics document. We appreciate your understanding.

Renesas Electronics website: <http://www.renesas.com>

April 1<sup>st</sup>, 2010  
Renesas Electronics Corporation

Issued by: Renesas Electronics Corporation (<http://www.renesas.com>)

Send any inquiries to <http://www.renesas.com/inquiry>.

## Notice

1. All information included in this document is current as of the date this document is issued. Such information, however, is subject to change without any prior notice. Before purchasing or using any Renesas Electronics products listed herein, please confirm the latest product information with a Renesas Electronics sales office. Also, please pay regular and careful attention to additional and different information to be disclosed by Renesas Electronics such as that disclosed through our website.
2. Renesas Electronics does not assume any liability for infringement of patents, copyrights, or other intellectual property rights of third parties by or arising from the use of Renesas Electronics products or technical information described in this document. No license, express, implied or otherwise, is granted hereby under any patents, copyrights or other intellectual property rights of Renesas Electronics or others.
3. You should not alter, modify, copy, or otherwise misappropriate any Renesas Electronics product, whether in whole or in part.
4. Descriptions of circuits, software and other related information in this document are provided only to illustrate the operation of semiconductor products and application examples. You are fully responsible for the incorporation of these circuits, software, and information in the design of your equipment. Renesas Electronics assumes no responsibility for any losses incurred by you or third parties arising from the use of these circuits, software, or information.
5. When exporting the products or technology described in this document, you should comply with the applicable export control laws and regulations and follow the procedures required by such laws and regulations. You should not use Renesas Electronics products or the technology described in this document for any purpose relating to military applications or use by the military, including but not limited to the development of weapons of mass destruction. Renesas Electronics products and technology may not be used for or incorporated into any products or systems whose manufacture, use, or sale is prohibited under any applicable domestic or foreign laws or regulations.
6. Renesas Electronics has used reasonable care in preparing the information included in this document, but Renesas Electronics does not warrant that such information is error free. Renesas Electronics assumes no liability whatsoever for any damages incurred by you resulting from errors in or omissions from the information included herein.
7. Renesas Electronics products are classified according to the following three quality grades: “Standard”, “High Quality”, and “Specific”. The recommended applications for each Renesas Electronics product depends on the product’s quality grade, as indicated below. You must check the quality grade of each Renesas Electronics product before using it in a particular application. You may not use any Renesas Electronics product for any application categorized as “Specific” without the prior written consent of Renesas Electronics. Further, you may not use any Renesas Electronics product for any application for which it is not intended without the prior written consent of Renesas Electronics. Renesas Electronics shall not be in any way liable for any damages or losses incurred by you or third parties arising from the use of any Renesas Electronics product for an application categorized as “Specific” or for which the product is not intended where you have failed to obtain the prior written consent of Renesas Electronics. The quality grade of each Renesas Electronics product is “Standard” unless otherwise expressly specified in a Renesas Electronics data sheets or data books, etc.
  - “Standard”: Computers; office equipment; communications equipment; test and measurement equipment; audio and visual equipment; home electronic appliances; machine tools; personal electronic equipment; and industrial robots.
  - “High Quality”: Transportation equipment (automobiles, trains, ships, etc.); traffic control systems; anti-disaster systems; anti-crime systems; safety equipment; and medical equipment not specifically designed for life support.
  - “Specific”: Aircraft; aerospace equipment; submersible repeaters; nuclear reactor control systems; medical equipment or systems for life support (e.g. artificial life support devices or systems), surgical implantations, or healthcare intervention (e.g. excision, etc.), and any other applications or purposes that pose a direct threat to human life.
8. You should use the Renesas Electronics products described in this document within the range specified by Renesas Electronics, especially with respect to the maximum rating, operating supply voltage range, movement power voltage range, heat radiation characteristics, installation and other product characteristics. Renesas Electronics shall have no liability for malfunctions or damages arising out of the use of Renesas Electronics products beyond such specified ranges.
9. Although Renesas Electronics endeavors to improve the quality and reliability of its products, semiconductor products have specific characteristics such as the occurrence of failure at a certain rate and malfunctions under certain use conditions. Further, Renesas Electronics products are not subject to radiation resistance design. Please be sure to implement safety measures to guard them against the possibility of physical injury, and injury or damage caused by fire in the event of the failure of a Renesas Electronics product, such as safety design for hardware and software including but not limited to redundancy, fire control and malfunction prevention, appropriate treatment for aging degradation or any other appropriate measures. Because the evaluation of microcomputer software alone is very difficult, please evaluate the safety of the final products or system manufactured by you.
10. Please contact a Renesas Electronics sales office for details as to environmental matters such as the environmental compatibility of each Renesas Electronics product. Please use Renesas Electronics products in compliance with all applicable laws and regulations that regulate the inclusion or use of controlled substances, including without limitation, the EU RoHS Directive. Renesas Electronics assumes no liability for damages or losses occurring as a result of your noncompliance with applicable laws and regulations.
11. This document may not be reproduced or duplicated, in any form, in whole or in part, without prior written consent of Renesas Electronics.
12. Please contact a Renesas Electronics sales office if you have any questions regarding the information contained in this document or Renesas Electronics products, or if you have any other inquiries.

(Note 1) “Renesas Electronics” as used in this document means Renesas Electronics Corporation and also includes its majority-owned subsidiaries.

(Note 2) “Renesas Electronics product(s)” means any product developed or manufactured by or for Renesas Electronics.

**RENESAS**

MOS INTEGRATED CIRCUIT

**$\mu$ PD71055**

PARALLEL INTERFACE UNIT

---

**Phase-out/Discontinued**

# Phase-out/Discontinued

uPD71055

## PARALLEL INTERFACE UNIT

The uPD71055 is a programmable parallel interface unit for use in microcomputer systems. The uPD71055 is provided with three I/O ports and is capable of operations ranging from basic input/output to high level operations using handshaking protocols. The uPD71055, fabricated by CMOS technology, realizes low power consumption.

### FEATURES

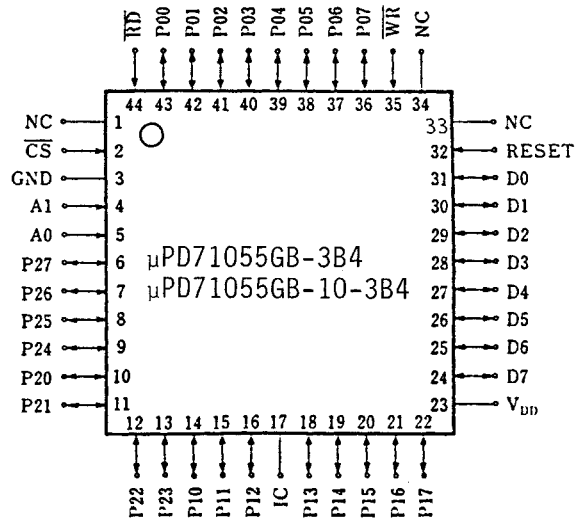
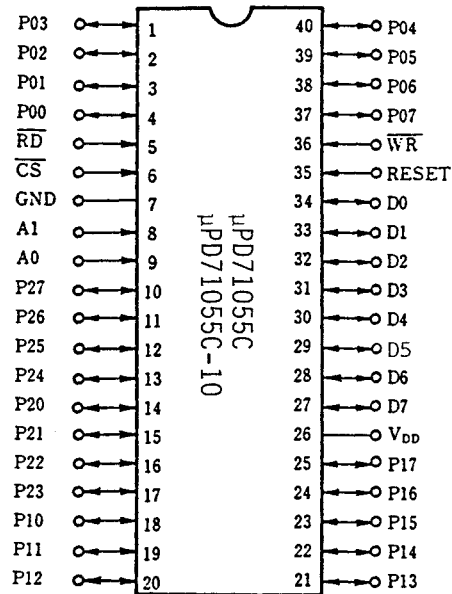
- Three 8-bit I/O ports
- Three programmable operation modes
- Bit manipulation command
- Microcomputer compatible
- No-wait operation with uPD70108-10 and uPD70116-10
- CMOS
- Single power supply

### ORDERING INFORMATION

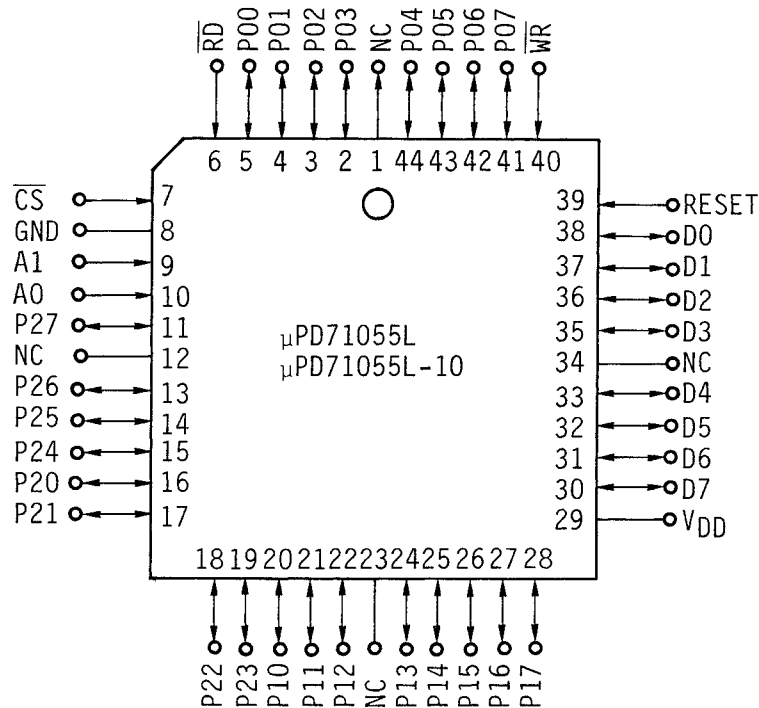
Part Number	Package	Recovery time [ns]
uPD71055C	40-pin plastic DIP	200
uPD71055C-10	40-pin plastic DIP	150
uPD71055GB-3B4	44-pin plastic QFP	200
uPD71055GB-10-3B4	44-pin plastic QFP	150
uPD71055L	44-pin PLCC	200
uPD71055L-10	44-pin PLCC	150

# Phase-out/Discontinued

## PIN CONFIGURATION (Top View)



# Phase-out/Discontinued

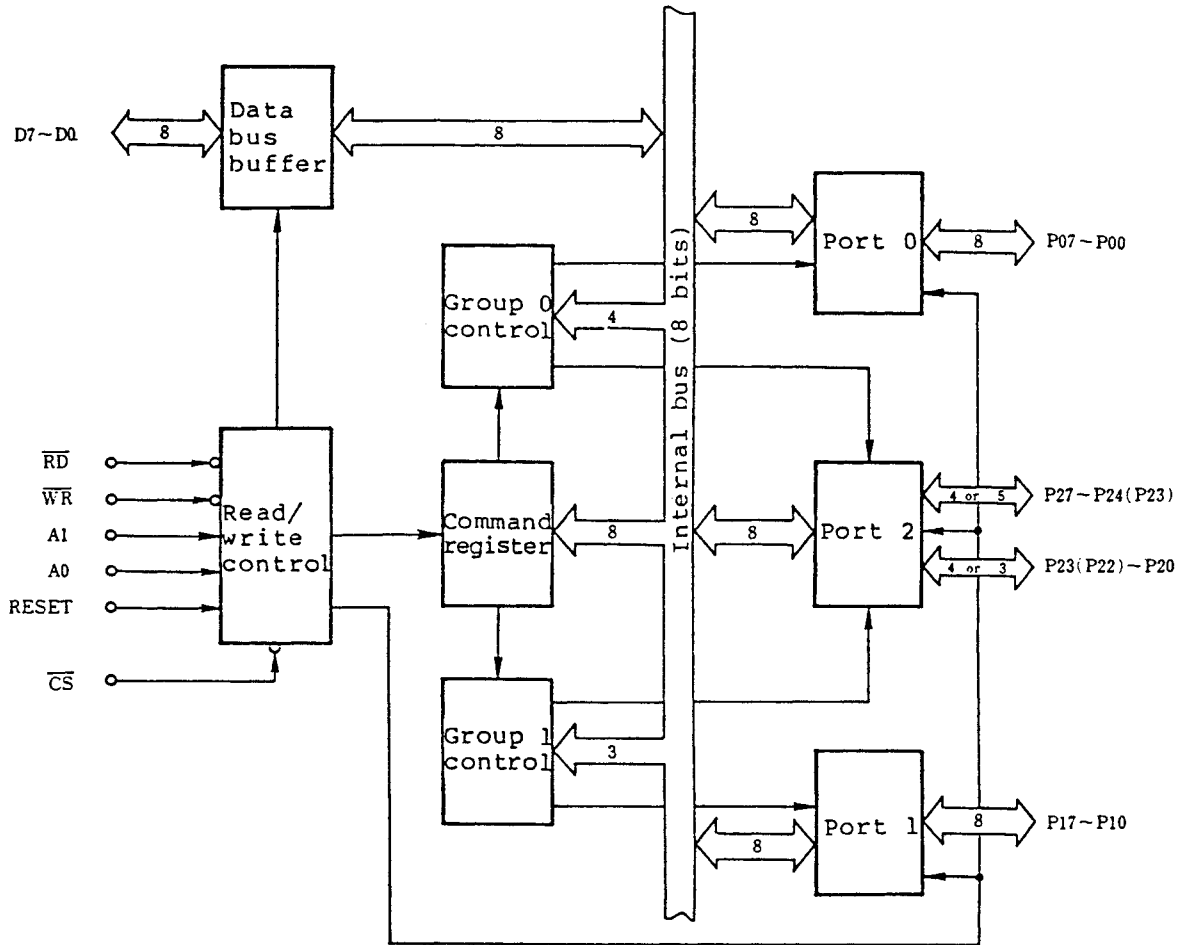


## Pin Identification

D7 to D0:	Data Bus	RESET	:	Reset	
<u>RD</u>	:	Read Strobe	P07 to P00:	Port 0	
<u>WR</u>	:	Write Strobe	P17 to P10:	Port 1	
<u>CS</u>	:	Chip Select	P27 to P20:	Port 2	
A1, A0	:	Address	NC	:	Non-connection

# Phase-out/Discontinued

BLOCK DIAGRAM



1. PIN FUNCTIONS

1.1 D7 to D0 (data bus) - Three-state input/output

These pins form an 8-bit, three-state, bidirectional data bus. They are connected to the system data bus and are used for data communication. Active when  $\overline{CS}=0$  and  $\overline{RD}=0$  or  $\overline{WR}=0$ , otherwise these pins enter the high impedance.

1.2  $\overline{CS}$  (chip select) - Input

This signal is used to select the uPD71055. When  $\overline{CS}=0$ , the uPD71055 is selected.  $\overline{CS}=1$  indicates nonselect and causes the lines of the data bus to become high impedance.

1.3  $\overline{RD}$  (read strobe) - Input

This signal is logic 0 when a read operation of data from the uPD71055 is being performed.

1.4  $\overline{WR}$  (write strobe) - Input

When data are to be written to the uPD71055, a logic 0 signal should be input to this pin. The contents of the data bus are then written to the uPD71055 at the rising edge (from 0 to 1) of the  $\overline{WR}$  signal.

1.5 A1, A0 (address) - Input

These two inputs are used in combination with the  $\overline{RD}$  and  $\overline{WR}$  signals and select from among the three ports and the command register. These pins are normally connected to the lower 2 bits (A1, A0) of the system address bus.

1.6 RESET (reset) - Input

When the input to the RESET pin become high level, the group 0 and group 1 ports are set to mode 0 (basic I/O port mode) and all ports are set for input.

1.7 P07 to P00 (Port 0) - Three-state input/output

These are the port 0 input/output pins.



# Phase-out/Discontinued

1.8 P17 to P10 (Port 1) - Three-state input/output  
These are the port 1 input/output pins.

1.9 P27 to P20 (Port 2) - Three-state input/output  
These are the port 2 input/output pins.

1.10 IC (Internally Connected)  
This pin must be left unconnected.

## 2. BLOCK FUNCTIONS

The uPD71055 is designed to be used as a parallel interface between a microcomputer system and its peripheral devices. Because the uPD71055 can be controlled by the program of the microcomputer system, external logic circuits can be reduced to a minimum. The uPD71055 consists of these five blocks: the data bus buffer, the read/write control, the command register, group control, and three I/O ports.

### 2.1 Data Bus Buffer

This is an 8-bit, three-state, bidirectional buffer that serves as an interface between the uPD71055 and the system data bus. When the CPU executes IN or OUT instructions for the uPD71055, the data is sent or received via this buffer.

### 2.2 Read/Write Control

This block decodes the data input from the system bus and controls the data bus buffer data direction, the command register, and the three ports.

### 2.3 Command Register

Command words sent from the CPU are written to this register. Then, in accordance with the command, control signals are sent either to the group 0 control, the group 1 control, or to both. Note that the contents of this register cannot be read.

# Phase-out/Discontinued

## 2.4 Group 0 Control, Group 1 Control

These blocks control the operation of the group 0 and group 1 ports in accordance with the mode set for each group.

## 2.5 Ports 0, 1, 2

The uPD71055 has three 8-bit I/O ports, referred to as port 0, port 1, and port 2. These ports are further divided into two groups with port 0 and the higher bits of port 2 belonging to group 0, and port 1 and the lower bits of port 2 belonging to group 1. Modes can be set independently for each group. There is also a bit manipulation instruction that can be used for bit-wise set/reset operations for port 2.

## 3. READ/WRITE TO THE uPD71055

To access the uPD71055, the  $\overline{CS}$  signal should first be set to 0. Then the  $\overline{WR}$  or  $\overline{RD}$  signal should be set to 0 to specify a write or read operation. The input at the A1 and A0 pins specifies the port or command register to which the read or write operation is to be performed. When a write operation is performed to the command register, it is assumed that the data written is a command word.

# Phase-out/Discontinued

Table 3-1 Control Signals and Operation

$\overline{\text{CS}}$	$\overline{\text{RD}}$	$\overline{\text{WR}}$	A1	A0	Operation	CPU Operation
0	0	1	0	0	Port 0 → Data bus	Input
0	0	1	0	1	Port 1 → Data bus	Input
0	0	1	1	0	Port 2 → Data bus	Input
0	0	1	1	1	Use prohibited	
0	0	0	x	x		
0	1	0	0	0	Data bus → Port 0	Output
0	1	0	0	1	Data bus → Port 1	Output
0	1	0	1	0	Data bus → Port 2	Output
0	1	0	1	1	Data bus → Command register	Output
0	1	1	x	x	Data bus high impedance	
1	x	x	x	x		

x: don't care

#### 4. uPD71055 COMMANDS

The uPD71055 is provided with two commands that it uses to control its own operation. These are the mode select command that determines the operation of the group 0 and group 1 ports and the other is the bit manipulation command that sets/resets the bits of port 2. Both of these commands are executed by writing an 8-bit command word to the command register.

##### 4.1 Mode Select

The uPD71055 has three modes that can be specified for the different groups. Mode 2, however, can only be specified for group 0.

(1) Mode 0

Specifies basic input/output port operation.

(2) Mode 1

Specifies operation controlled by a control/status signal (4 or 3 bits of port 2).

(3) Mode 2

This mode can only be specified for group 0 and specifies port operation in which the higher 5 bits of port 2 are used for control and status signals and port 0 is used as a bidirectional I/O port.

To specify the mode, set bit 7 of the command word to '1' and then write to the command register (A1A0=11) setting the value of each bit in accordance with the values shown in Fig. 4-1.

# Phase-out/Discontinued

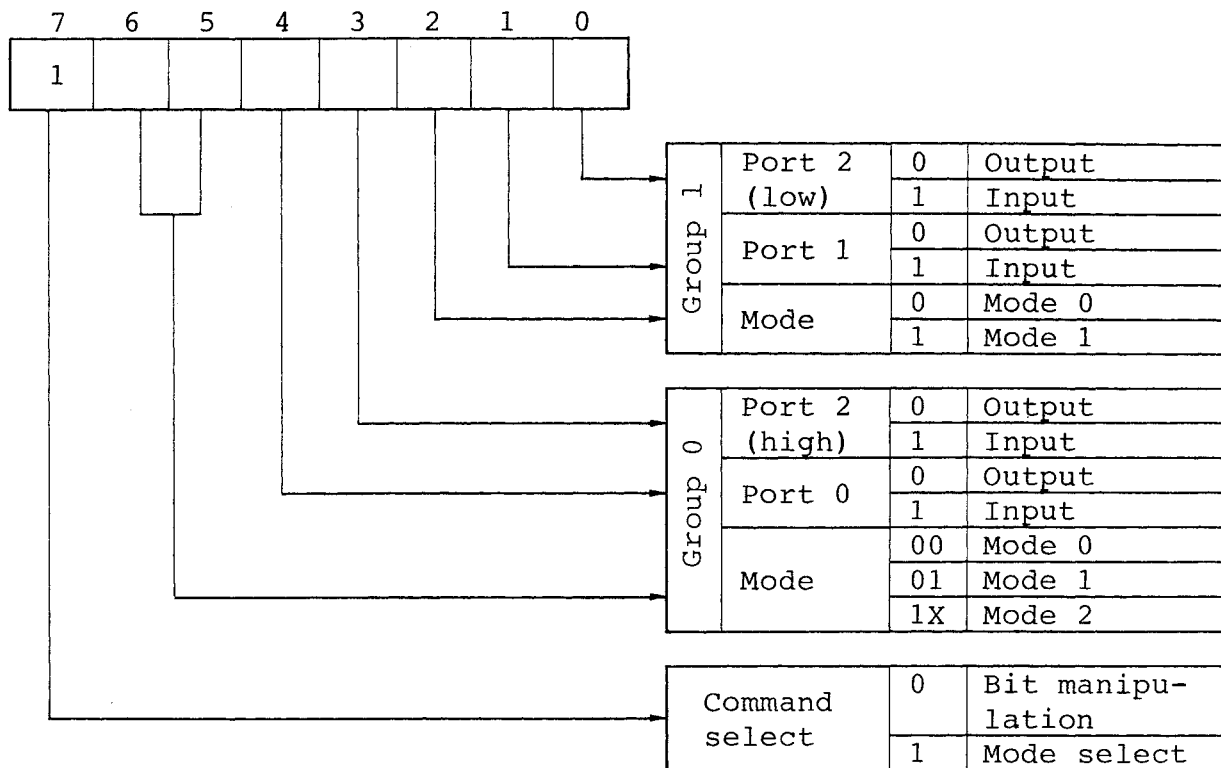


Fig. 4-1 Mode Select Command Word

## 4.2 Bit Manipulation Command

This command port 2. This type of operation is especially useful in mode 1 and mode 2 where the bits of port 2 are used as control/status signals. By executing this command, interrupts can be enabled and disabled from the CPU. Also, since direct write to port 2 (A1A0=10) is only possible in mode 0, this command can be used in mode 1 to directly write 1- or 2-bit output values.

# Phase-out/Discontinued

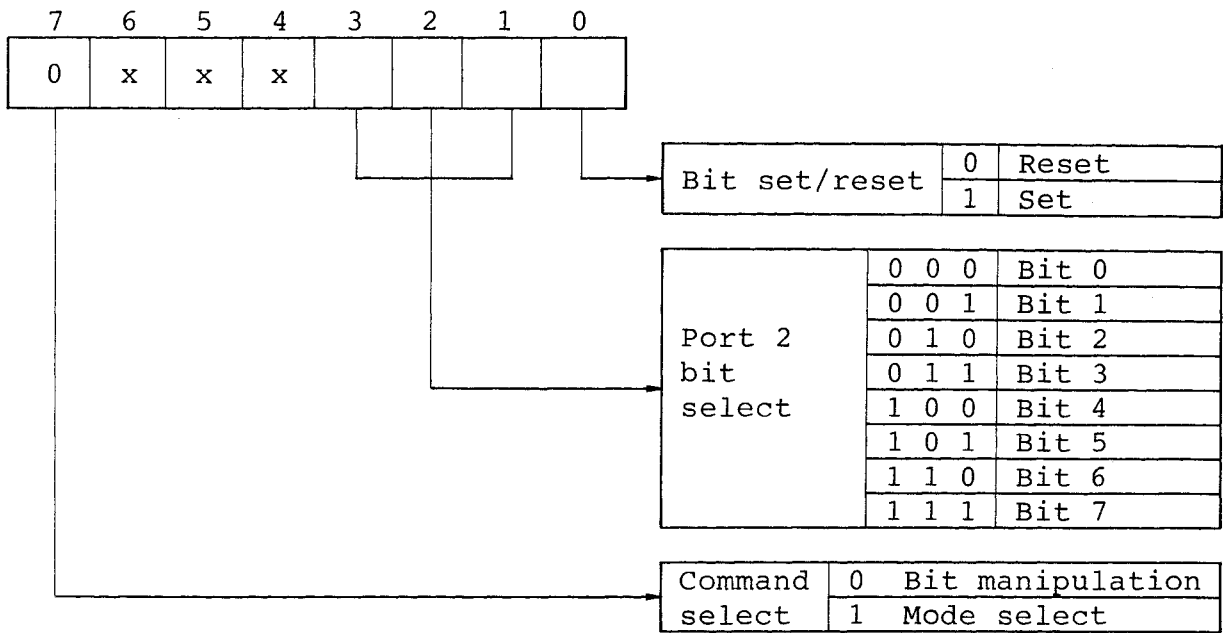


Fig. 4-2 Bit Manipulation Command Word

For example, to set bit 2 of port 2 to '1', the command word shown below (05H) should be set in the command register.

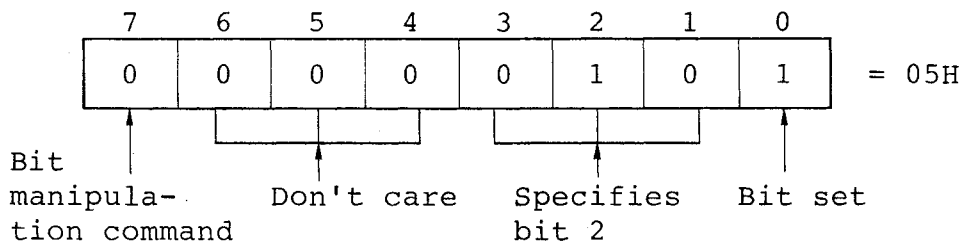


Fig. 4-3 Bit Manipulation Instruction Example

**Note:**

The bits of all ports are cleared when the PD71055 is reset, or when mode selection is performed.

# Phase-out/Discontinued

## 5. OPERATION IN EACH MODE

In the uPD71055, the operation mode for each group can be set according to the application. The following mode setting combinations are possible:

- (1) Group 0: mode 0; group 1: mode 0
- (2) Group 0: mode 0; group 1: mode 1
- (3) Group 0: mode 1; group 1: mode 0
- (4) Group 0: mode 1; group 1: mode 1
- (5) Group 0: mode 2; group 1: mode 0
- (6) Group 0: mode 2; group 1: mode 1

The  $\overline{RD}$  and  $\overline{WR}$  signals that appear in the descriptions of each mode refer to the  $\overline{RD}$  and  $\overline{WR}$  signals of the port in question; these same signals for other ports are not affected.

Where the port in question is not clear, a numeric value in the range 0 to 2 is appended to the end of the signal name to indicate the port.

### 5.1 Mode 0

In this mode the ports of the uPD71055 are used to perform basic input/output operations. Each port operates with a buffered input and a latched output.

According to the control word sent from the CPU, port 0, port 1, and the higher and lower 4 bits of port 2 can be independently specified for input or output.

#### (1) Input port operation

While the  $\overline{RD}$  signal of a port specified for input is low level, data is taken into the port and the data of the port selected by the A0A1 signals is output to the data bus.

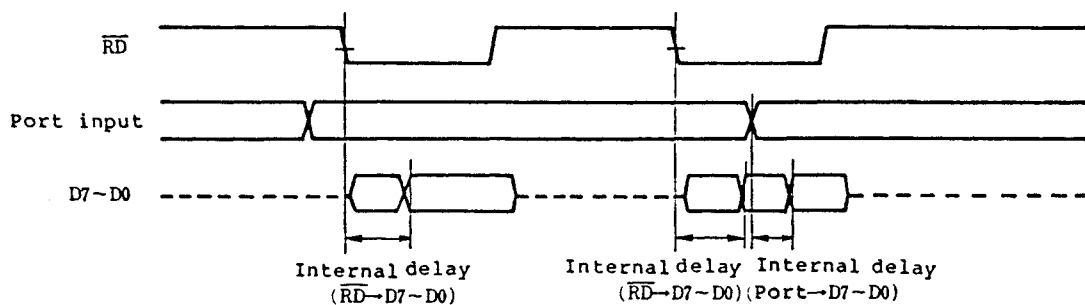


Fig. 5-1 Mode 0 Input Timing

# Phase-out/Discontinued

## (2) Output port operation

Ports specified for output constantly latch output values and output these to the port pins. When the CPU sets WR to low level and sends new data to the uPD71055, this data will be latched in the port selected by the A0A1 signals at the rising edge of WR and output to the port pins. Low level is output immediately after the mode setting.

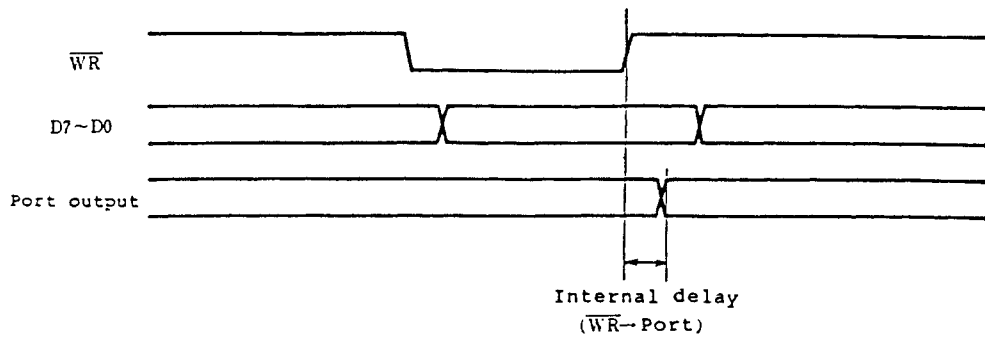


Fig. 5-2 Mode 0 Output Timing

By reading the contents of the ports set for output, the output value of the port can be ascertained.

## (3) Group 0 mode 0

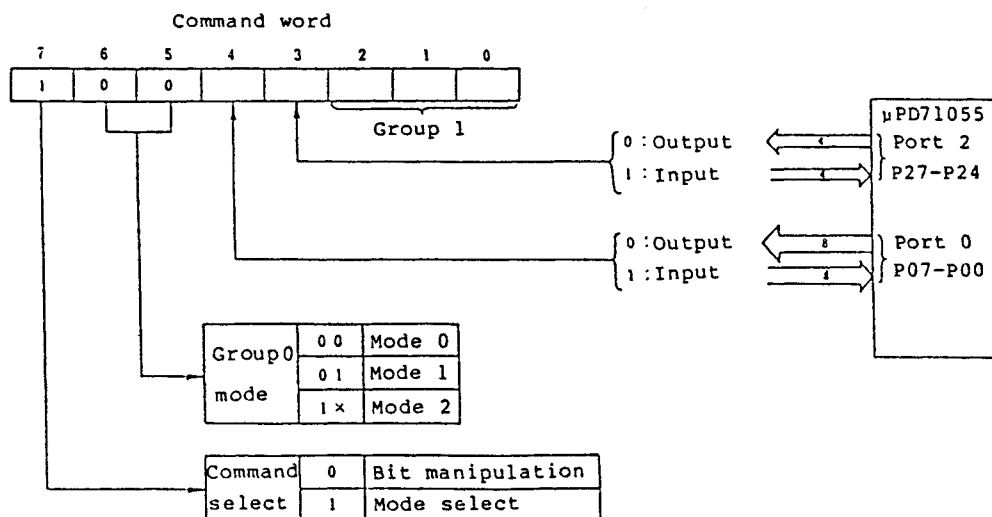


Fig. 5-3 Group 0 Mode 0



# Phase-out/Discontinued

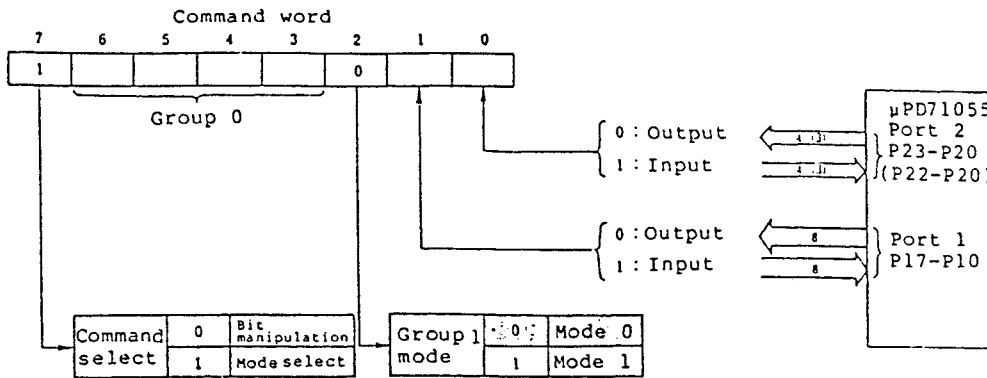


Fig. 5-4 Group 1 Mode 0

**Note:**

When group 0 is not set to mode 0, the bits of port 2 that can be used by group 1 are the 3 bits P22-P20.

(5) Mode 0 example

This is an example of connecting a CPU to an A/D converter. Here group 0 and group 1 are both set to mode 0 and port 2 is used to start conversion and detect termination of the conversion process.

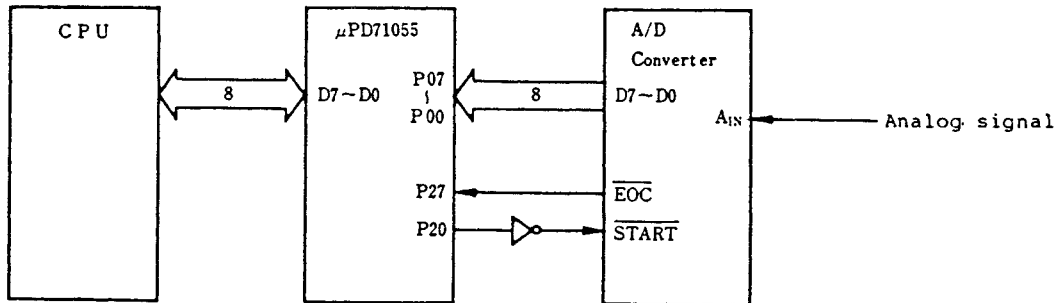
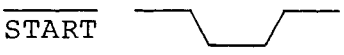
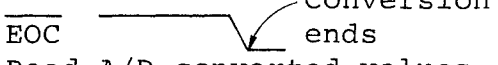


Fig. 5-5 A/D Converter Connection Example

# Phase-out/Discontinued

This program is a subroutine that reads the converted data from an A/D converter.

<pre> READ_A/D:MOV    AL,10011000B               OUT    CTRLPORT,AL               MOV    AL,00000001B               OUT    CTRLPORT,AL               MOV    AL,00000000B               OUT    CTRLPORT,AL           </pre>	<pre> } } } }           </pre>	<pre> uPD71055 mode setting o Group 0, group 1: mode 0 o Port 0, port 2 (high): input o Port 1, port 2 (low): output Conversion start           </pre> 
<pre> WAIT_EOC:IN    AL,PORT2               TEST1  AL,7               BNZ   WAIT_EOC               IN    AL,PORT0               RET           </pre>	<pre> }           </pre>	<pre> End of conversion wait loop           </pre>  <pre> Read A/D converted values           </pre>

## 5.2 Mode 1

In this mode, control and status signals are used to control data input/output. In group 0, the bits of port 0 function as the data port (for data input/output) and the higher 5 bits of port 2 as the control/status. In group 1, the bits of port 1 function as the data port and the lower 3 bits of port 2 as the control/status.

In mode 1, the bit manipulation instruction is used to write the bits of port 2.

# Phase-out/Discontinued

Table 5-1 Functions of Port 2 in Mode 1

Bit	During data input	During data output
P20	INT1 (INTerrupt request)	INT1 (INTerrupt request)
P21	IBF1 (Input Buffer Full F/F)	$\overline{\text{OBF1}}$ (Output Buffer Full F/F)
P22	$\overline{\text{STB1}}$ (STroBe input) RIE1 (Read Interrupt Enable flag)	$\overline{\text{DAK1}}$ (Data AcKnowledge input) WIE1 (Write Interrupt Enable flag)
P23*	Input/output	Input/output
P23	INT0 (INTerrupt request)	INT0 (INTerrupt request)
P24	$\overline{\text{STB0}}$ (STruBe input) RIE0 (Read Interrupt Enable flag)	Input/output
P25	IBF0 (Input Buffer Full F/F)	Input/output
P26	Input/output	$\overline{\text{DAK0}}$ (Data AcKnowledge input) WIE0 (Write Interrupt Enable flag)
P27	Input/output	$\overline{\text{OBF0}}$ (Output Buffer Full F/F)

\* Can only be used when group 0 is set to mode 0. At all other times, P23 belongs to group 0.

(1) Operation when data port is specified for input

When the data port (port 0 for group 0, and port 1 for group 1) is specified for input, the 8 bits of the data port are used for input. The bits of the control/status port (port 2) are used as follows:

# Phase-out/Discontinued

- (a)  $\overline{STB}$  (strobe input) - input [ $\overline{STB0} \rightarrow P24$ ,  $\overline{STB1} \rightarrow P22$ ]

When this input is low level, the signals being sent from the peripheral to the data port are latched.

- (b) IBF (input buffer full F/F) - output [ $\overline{IBF0} \rightarrow P25$ ,  
 $\overline{STB1} \rightarrow P21$ ]

This output becomes high level to inform the peripheral that the input buffer has become full and to prohibit further data transfer. This signal becomes high level at the falling edge of the STB signal and becomes low level at the rising edge of the RD signal when STB=1 (CPU completes read).

Initial value immediately after the mode setting is low level.

- (c) INT (interrupt request) - output [ $INT0 \rightarrow P23$ ,  
 $INT1 \rightarrow P20$ ]

This output becomes high level when the data from the peripheral is latched in the input port and functions as a data read request interrupt signal to the CPU. INT become high level when RIE (read interrupt enable flag) is 1 and STB, IBF and RD are all high. INT becomes low level at the falling edge of the RD signal. Initial value immediately after the mode setting is low level.

- (d) RIE (read interrupt enable flag) [ $RIE0 \rightarrow P24$ ,  
 $RIE1 \rightarrow P22$ ]

This is a read interrupt enable flag for read operation by the CPU. This bit controls interrupt request output to the CPU. Interrupts can be enabled by using the bit manipulation command to set this bit to '1' and disabled by resetting this bit to '0'.

Even if RIE is set/reset, the STB function of this bit is not affected.

# Phase-out/Discontinued

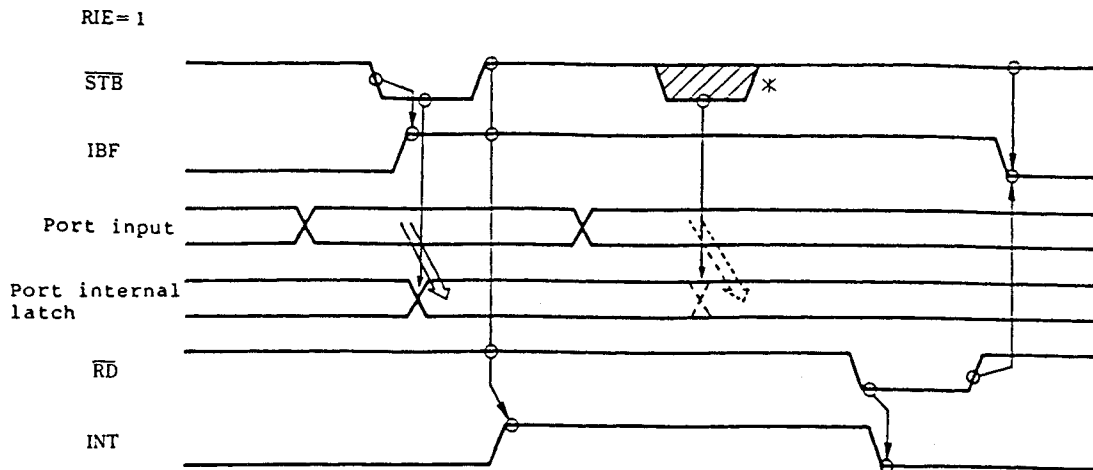


Fig. 5-6 Mode 1 Input Timing

\* Here if  $\overline{\text{STB}}$  becomes low level before IBF becomes low, the contents of the port latch will change.  $\overline{\text{STB}}$  must therefore be kept high until IBF becomes low.

When input is specified in mode 1, the status of IBF, INT, and RIE can be ascertained by reading the contents of port 2.

## (2) Operation when data port is specified for output

When the data port (Port 0 for group 0; Port 1 for group 1) is specified for output, the 8 bits of the data port are used for output (low level is output immediately after the mode setting) and the bits of the control/status port (port 2) function as follows:

- (a)  $\overline{\text{OBF}}$  (output buffer full F/F) - output [ $\overline{\text{OBF0}}$  → P27,  
 $\overline{\text{OBF1}}$  → P21]

This signal become low when data is received from the CPU and is latched in the output port.  $\overline{\text{OBF}}$  therefore functions as a data receive request to the peripheral.  $\overline{\text{OBF}}$  becomes low level at the rising edge of  $\overline{\text{WR}}$  when  $\text{DAK}=1$  (CPU completes write) and becomes high at the falling edge of the  $\overline{\text{DAK}}$  signal when the peripheral receives the data from the uPD71055.

# Phase-out/Discontinued

Initial value immediately after the mode setting is high level.

- (b)  $\overline{\text{DAK}}$  (data acknowledge) - input [ $\overline{\text{DAK0}}$  - P26,  $\overline{\text{DAK1}}$  - P20]

This input is used to inform the uPD71055 that output port data has been received by the peripheral. The peripheral must be set so that it outputs a low level signal when it has received data.

- (c) INT (interrupt request) - output [INT0 → P23,  
INT1 → P20]

This output becomes high level when the output data from the uPD71055 has been received by the peripheral. INT therefore functions as a write request signal to the CPU indicating that it should send the next output data to the uPD71055. INT becomes high level when  $\overline{\text{WIE}}$  (write interrupt enable flag) is set to '1' and  $\overline{\text{WR}}$ ,  $\overline{\text{OBF}}$ , and  $\overline{\text{DAK}}$  are all high and becomes low level at the falling edge of the  $\overline{\text{WR}}$  signal.

Initial value immediately after the mode setting is low level.

- (d)  $\overline{\text{WIE}}$  (write interrupt enable flag) [ $\overline{\text{WIE0}}$  → P26,  
 $\overline{\text{WIE1}}$  → P22]

This is a request interrupt enable flag for write operation by the CPU. This bit controls interrupt request output to the CPU. Interrupts can be enabled by using the bit manipulation command to set this bit to '1' and disabled by resetting this bit to '0'. Even if  $\overline{\text{RIE}}$  is set/reset, the  $\overline{\text{DAK}}$  function of this bit is not affected.

# Phase-out/Discontinued

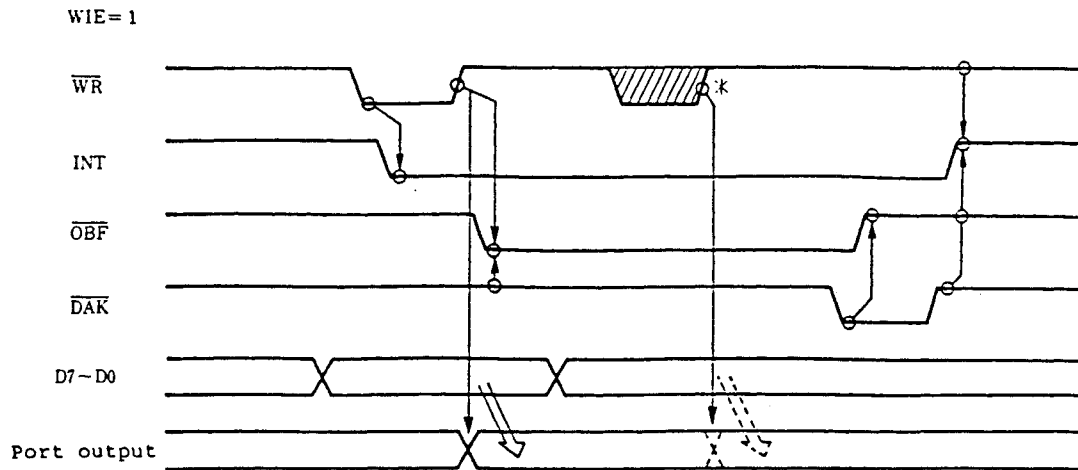


Fig. 5-7 Mode 1 Output Timing

\* If data is written from the CPU before  $\overline{OBF}$  becomes high, the contents of the port latch will change. Data write must therefore not be performed while  $\overline{OBF}$  is low.

When output is specified in mode 1, the status of  $\overline{OBF}$ , INT, and WIE can be ascertained by reading the contents of port 2.

### (3) Group 0 mode 1

When group 0 is used in mode 1, the higher 5 bits of port 2 become part of group 0. Of these 5 bits, 3 are used as control/status and the remaining 2 bits can be used by the user for input/output (bit manipulation instruction).

# Phase-out/Discontinued

(a) To input from the data port (port 0)

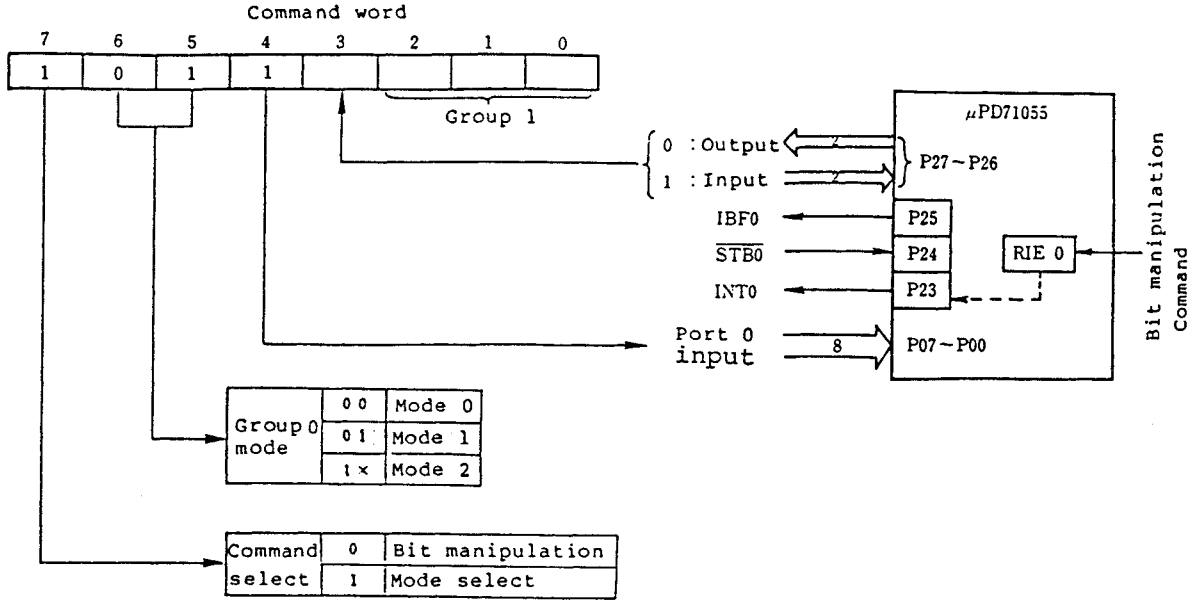


Fig. 5-8 Group 0 Mode 1 Input

(b) To output from the data port (port 0)

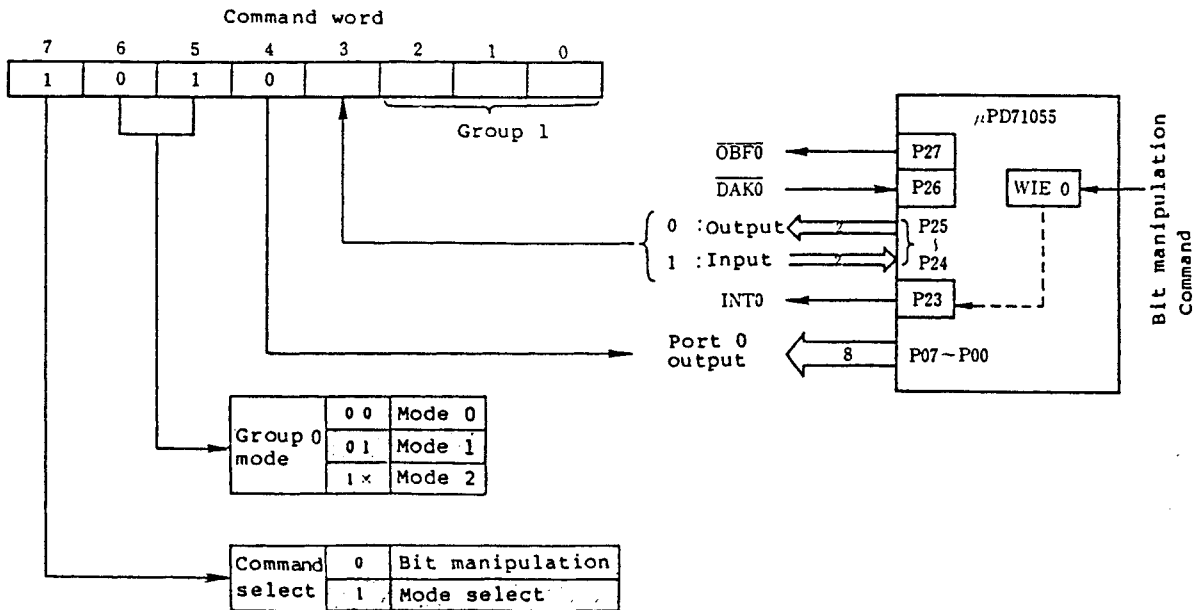


Fig. 5-9 Group 0 Mode 1 Input



# Phase-out/Discontinued

(4) Group 1 mode 1

When group 1 is used in mode 1, the lower 4 bits of port 2 become part of group 1. Of these 4 bits, 3 are used as control/status and the remaining 1 bit\* can be used by the user for input/output (bit manipulation command).

(a) To input from the data port (port 1)

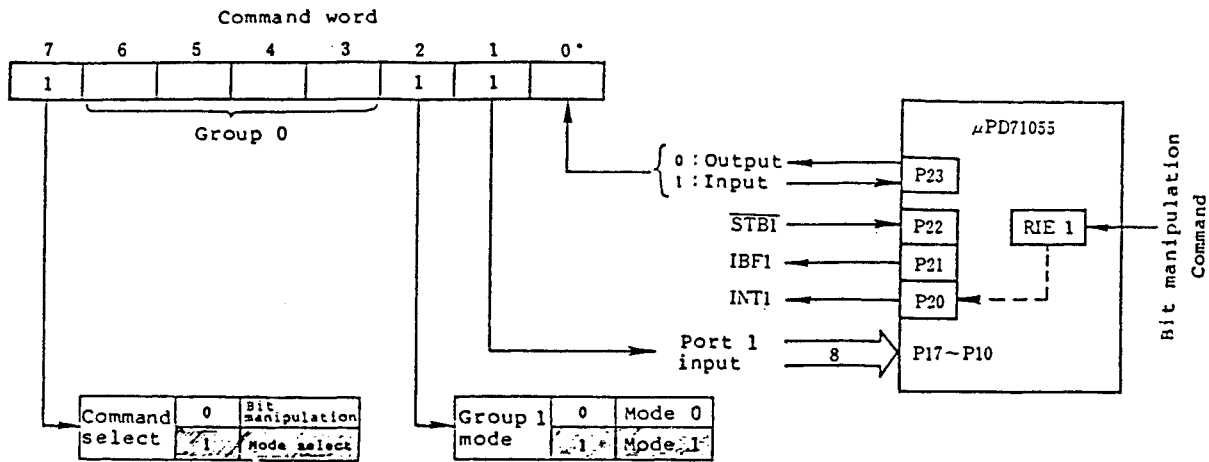


Fig. 5-10 Group 1 Mode 1 Input

(b) To output from the data port (port 1)

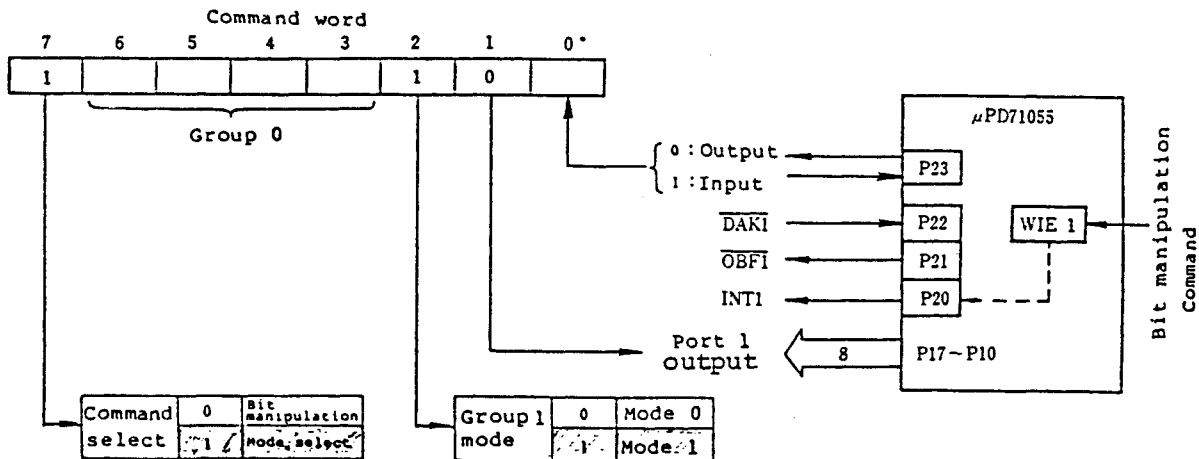


Fig. 5-11 Group 1 Mode 1 Input

\* P23 belongs to group 1 only when group 0 is in mode 0, otherwise P23 belongs to group 0.

# Phase-out/Discontinued

(5) Mode 1 examples

This is an example of connecting a printer with a Centronics interface. Group 0 is used in mode 1. Group 1 can operate in any mode; in this example mode 0 is set.

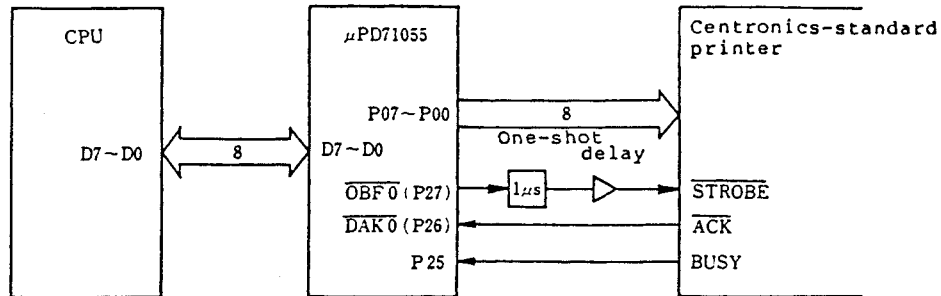


Fig. 5-12 Connection to a Printer

The program shown below is as subroutine that sends character strings to the printer.

```

INIT:   MOV     AL, 10101000B } uPD71055 mode setting
        OUT     CTRLPORT,AL }   o Group 0: mode 1
        RET                                }   o Port 0: output
SENDPRN:MOV    BW,DATA           }   o Port 2 (high): input
PRNLOOP:MOVE   AL,[BW]           }   Output data address
        CMP    AL,0FFH           }   End if data FFH
        BNZ   WAIT
        RET
WAIT:   IN     AL,PORT2
        TEST1 AL,7                }   Wait until output buffer is empty
        BZ    WAIT
        TEST1 AL,5                }   Wait until printer can
        BNZ   WAIT                }   accept data
        MOV   AL,[BW]             }   Send data to printer
        OUT   PORT0,AL
        INC   BW
        BR    PRNLOOP
  
```

5.3 Mode 2

This mode can only be used for group 0. In this mode port 0 functions as a bidirectional 8-bit data port operating under the control of the control/status signals (higher 5 bits of port 2). In this mode, port 0 combines the input and output operations of mode 1.

Table 5-2 Functions of Port 2 in Mode 2

Bit	Function
P23	INT0 (INTerrupt request)
P24	$\overline{STB0}$ (StroBe input) RIE0 (Read Interrupt Enable flag)
P25	IBF0 (Input Buffer Full F/F)
P26	$\overline{DAK0}$ (Data AcKnowledge input) WIE0 (Write Interrupt Enable flag)
P27	$\overline{OBF0}$ (Output Buffer Full F/F)

The  $\overline{DAK0}$  and  $\overline{STB0}$  signals are used to select input or output mode for port 0. By using these signals, bidirectional operation between the CPU and the peripheral can be realized. In mode 2, the bit manipulation instruction is used to write to port 2.

- (1) Operation of the control/status port
  - o Signals used when port 0 is used for output
    - (a)  $\overline{OBF0}$  (output buffer full F/F) - output [P27]

This signal becomes low level when data is received from the CPU and is latched in the port 0 output buffer.  $\overline{OBF0}$  therefore functions as a receive request signal to the peripheral.  $\overline{OBF0}$  becomes low level at the rising edge of the  $\overline{WR0}$  signal (indicates the end of CPU data write) and becomes high level at the falling edge of the  $\overline{DAK0}$  signal (indicates that the peripheral has received the output data from port 0).

# Phase-out/Discontinued

Initial value immediately after the mode setting is high level.

- (b)  $\overline{\text{DAK0}}$  (data acknowledge) - input [P26]

When this input becomes low level, the three-state output buffer is set for output mode. This signal is sent from the peripheral in response to the  $\overline{\text{OBF0}}$  signal from the uPD71055 and should be set to become low level when data is received from port 0.

- (c) WIE0 (write interrupt enable flag) [P26]

This is a write interrupt enable flag for write operation by the CPU. This bit controls interrupt request output to the CPU. This bit controls interrupt request output to the CPU. Interrupts can be enabled by using the bit manipulation command to set this bit to '1' and disabled by resetting this bit to '0'.

Even if WIE0 is set/reset, the  $\overline{\text{DAK0}}$  function of this bit is not affected.

- o Signals used when port 0 is used for input

- (d)  $\overline{\text{STB0}}$  (strobe input) - input [P24]

When this signal becomes low level, the data signals being sent from the peripheral to port 0 are latched.

- (e) IBF0 (input buffer full F/F) - output [P25]

When this output becomes high level, it indicates that the input buffer is full and functions as a transfer prohibit signal to the peripheral. This signal becomes high level at the falling edge of the  $\overline{\text{STB0}}$  signal and becomes low level at the rising edge of the RD0 signal when  $\text{STB0}=1$  (CPU completes read). Initial value immediately after the mode setting is low level.

- (f) RIE0 (read interrupt enable flag) - [P24]

This is a read interrupt enable flag for read operation by the CPU. This bit controls interrupt request output to the CPU. Interrupts can be enabled by using the bit manipulation command to set this bit to '1' and disabled by resetting this bit to '0'.

Even if RIE0 is set/reset, the  $\overline{\text{STB0}}$  function of this bit is not affected.

# Phase-out/Discontinued

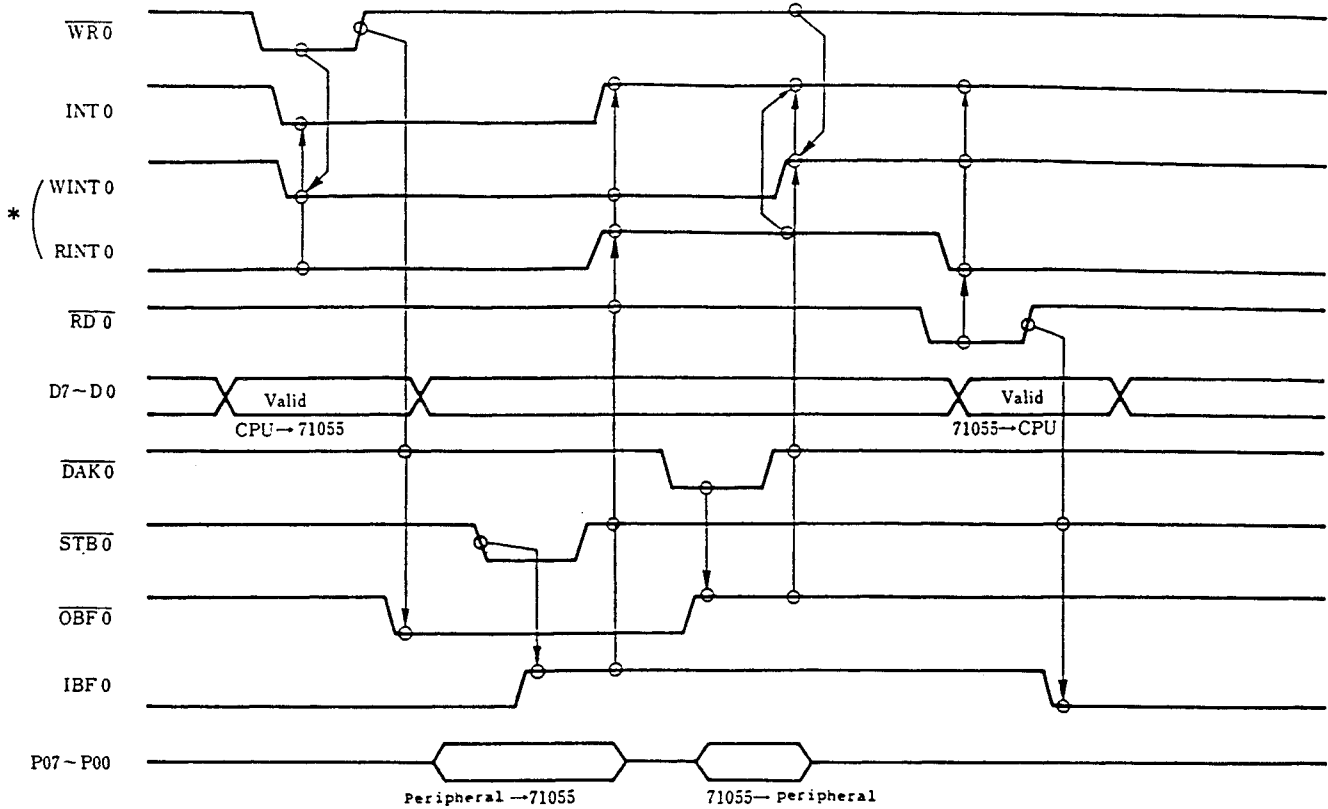
o Signal used for both input and output

(g) INT0 (interrupt request) - output [P23]

This signal is used for both input and output operations of port 0. During input operation, it functions as a read request interrupt signal to the CPU and during output as a write request interrupt signal. The output of this signal is the logical sum (OR) of the INT signal during input operation and the INT signal during output operation in mode 1. Initial value immediately after the mode setting is low level.

# Phase-out/Discontinued

WIE0 = 1  
 RIE0 = 1



\*  $\overline{WINT0}$  and  $\overline{RINT0}$  are internal signals and are write and read interrupt request signals to the CPU, respectively.

$$\overline{WINT0} = \overline{OBF0} \cdot \overline{WIE0} \cdot \overline{DAK0} \cdot \overline{WR0}$$

$$\overline{RINT0} = \overline{IBF0} \cdot \overline{REI0} \cdot \overline{STB0} \cdot \overline{RD0}$$

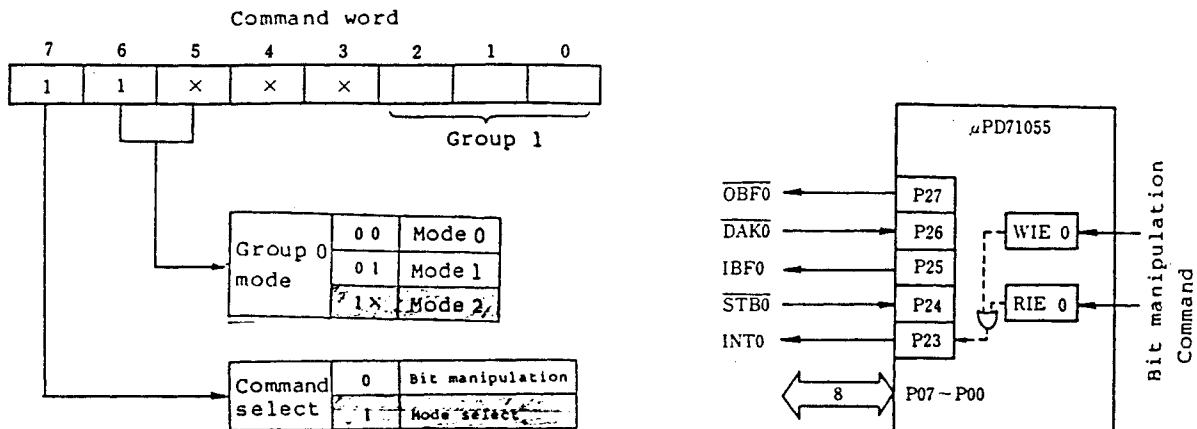
Also note that

$$\overline{INT0} = \overline{WINT0} + \overline{RINT0}$$

Fig. 5-13 Mode 2 Timing

# Phase-out/Discontinued

## (2) Mode 2 specification



In this mode, the status of the following signals can be ascertained by reading port 2:  $\overline{OBF0}$ ,  $\overline{IBF0}$ ,  $\overline{INT0}$ ,  $\overline{WIE0}$ , and  $\overline{RIE0}$ .

Fig. 5-14 Group 0 Mode 2

## (3) Mode 2 example

This is an example of transferring data between two CPUs.

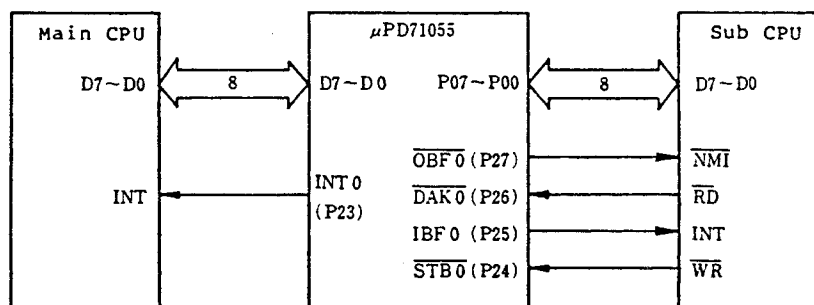
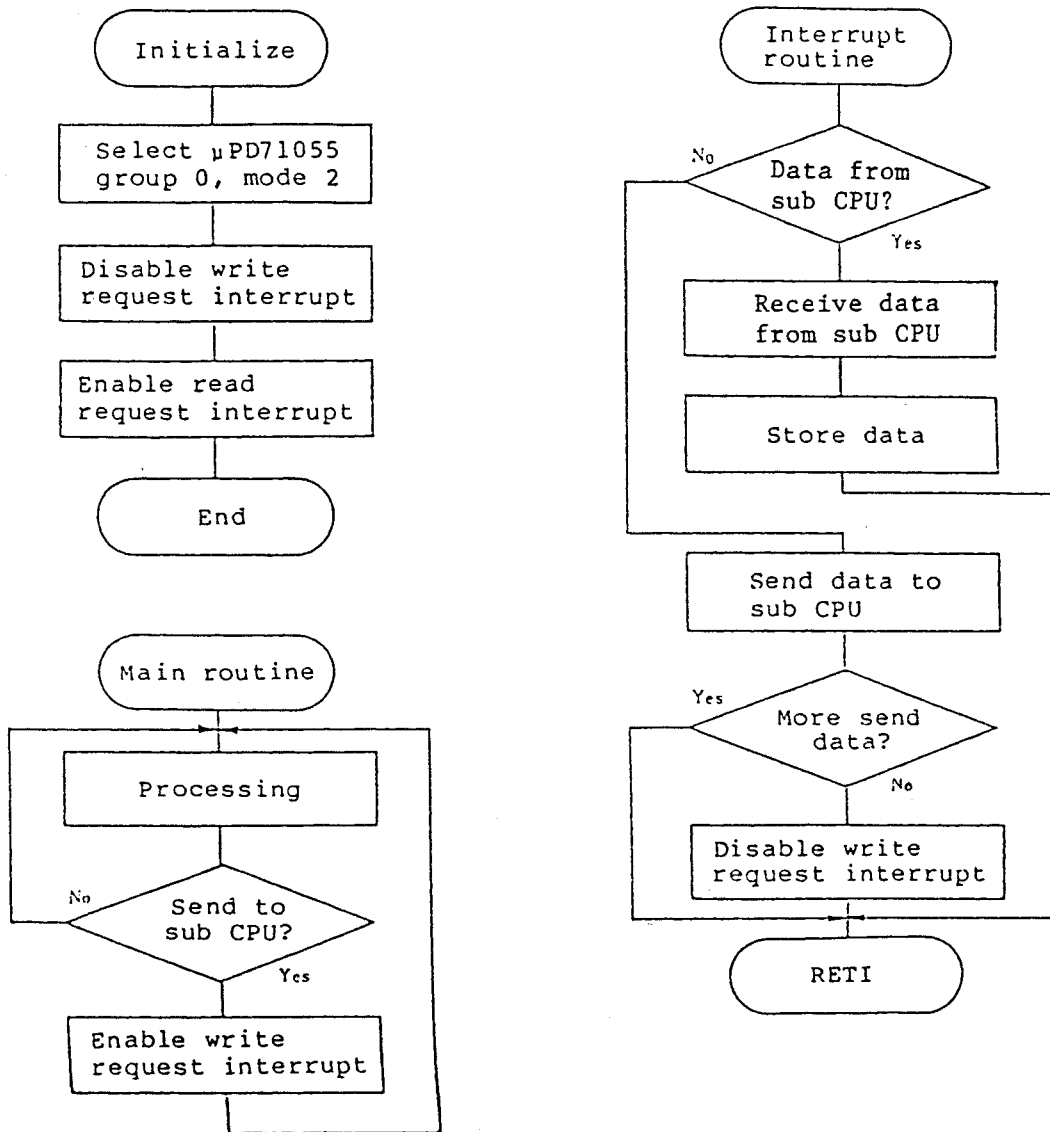


Fig. 5-15 Connecting Two CPUs

# Phase-out/Discontinued

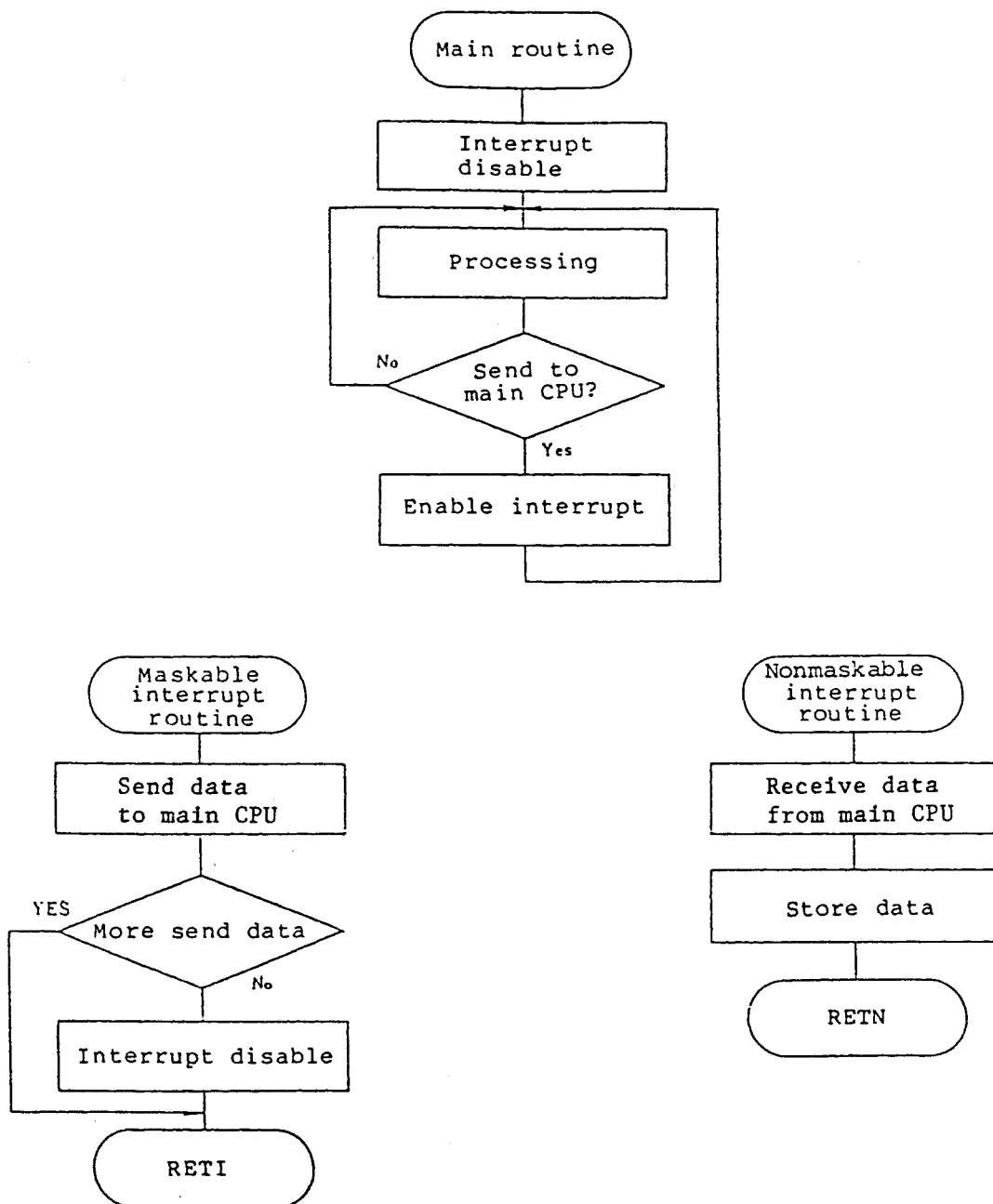
Main CPU Flowchart





# Phase-out/Discontinued

Sub CPU Flowchart



# Phase-out/Discontinued

Table 6-1 Mode Combinations and Bit Functions of Port 2

**Mode Combinations and Port 2 Bit Functions**

Group 0							Group 1					
Mode	P0 <sub>7</sub> -P0 <sub>0</sub>	P2 <sub>7</sub>	P2 <sub>6</sub>	P2 <sub>5</sub>	P2 <sub>4</sub>	P2 <sub>3</sub>	Mode	P1 <sub>7</sub> -P1 <sub>0</sub>	P2 <sub>3</sub>	P2 <sub>2</sub>	P2 <sub>1</sub>	P2 <sub>0</sub>
0	In	D	D	D	D	NA	0	In	D	D	D	D
0	In	D	D	D	D	NA	0	Out	D	D	D	D
0	In	D	D	D	D	NA	1	In	B	STB1 (RIE1)	IBF1	INT1
0	In	D	D	D	D	NA	1	Out	B	DAK1 (WIE1)	OB $\overline$ F1	INT1
0	Out	D	D	D	D	NA	0	In	D	D	D	D
0	Out	D	D	D	D	NA	0	Out	D	D	D	D
0	Out	D	D	D	D	NA	1	In	B	STB1 (RIE1)	IBF1	INT1
0	Out	D	D	D	D	NA	1	Out	B	DAK1 (WIE1)	OB $\overline$ F1	INT1
1	In	B	B	IBF0	STB0 (RIE0)	INT0	0	In	NA	D	D	D
1	In	B	B	IBF0	STB0 (RIE0)	INT0	0	Out	NA	D	D	D
1	In	B	B	IBF0	STB0 (RIE0)	INT0	1	In	NA	STB1 (RIE1)	IBF1	INT1
1	In	B	B	IBF0	STB0 (RIE0)	INT0	1	Out	NA	DAK1 (WIE1)	OB $\overline$ F1	INT1
1	Out	OB $\overline$ F0	DAK0 (WIE0)	B	B	INT0	0	In	NA	D	D	D
1	Out	OB $\overline$ F0	DAK0 (WIE0)	B	B	INT0	0	Out	NA	D	D	D
1	Out	OB $\overline$ F0	DAK0 (WIE0)	B	B	INT0	1	In	NA	STB1 (RIE1)	IBF1	INT1
1	Out	OB $\overline$ F0	DAK0 (WIE0)	B	B	INT0	1	Out	NA	DAK1 (WIE1)	OB $\overline$ F1	INT1
2	I/O	OB $\overline$ F0	DAK0 (WIE0)	IBF0	STB0 (RIE0)	INT0	0	In	NA	D	D	D
2	I/O	OB $\overline$ F0	DAK0 (WIE0)	IBF0	STB0 (RIE0)	INT0	0	Out	NA	D	D	D
2	I/O	OB $\overline$ F0	DAK0 (WIE0)	IBF0	STB0 (RIE0)	INT0	1	In	NA	STB1 (RIE1)	IBF1	INT1
2	I/O	OB $\overline$ F0	DAK0 (WIE0)	IBF0	STB0 (RIE0)	INT0	1	Out	NA	DAK1 (WIE1)	OB $\overline$ F1	INT1

**Note:**

- (1) In this chart, "NA" indicates that the bit cannot be used by this group.
- (2) The symbol "B" indicates bits that can only be rewritten by the bit manipulation command.
- (3) In this chart, "D" indicates that is used by the user.
- (4) Symbols in parentheses are internal flags.
- (5) In indicates Input, Out indicates Output, and I/O indicates Input/Output.

# Phase-out/Discontinued

## ABSOLUTE MAXIMUM RATINGS (Ta = 25°C)

PARAMETER	SYMBOL	TEST CONDITIONS	RATINGS	UNIT
Power Supply Voltage	$V_{DD}$		-0.5 to +7.0	V
Input Voltage	$V_I$		-0.5 to $V_{DD} + 0.3$	V
Output Voltage	$V_O$		-0.5 to $V_{DD} + 0.3$	V
Operating Temperature	$T_{opt}$		-40 to +85	°C
Storage Temperature	$T_{stg}$		-65 to +150	°C

## DC CHARACTERISTICS (Ta = -40 to +85°C, $V_{DD} = 5V \pm 10\%$ )

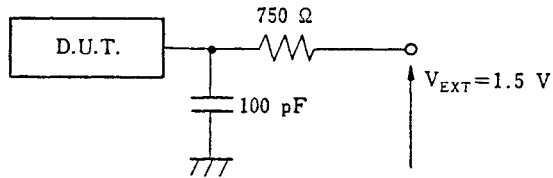
PARAMETER	SYMBOL	TEST CONDITIONS	MIN.	TYP.	MAX.	UNIT
Input Voltage High	$V_{IH}$		2.2		$V_{DD} + 0.3$	V
Input Voltage Low	$V_{IL}$		-0.5		0.8	V
Output Voltage High	$V_{OH}$	$I_{OH} = -400\mu A$	0.7 $V_{DD}$			V
Output Voltage Low	$V_{OL}$	$I_{OL} = 2.5mA$			0.4	V
Darlington Drive Current	$I_{DAR}$	*	-1.0		-4.0	mA
Input Leakage Current High	$I_{LIH}$	$V_I = V_{DD}$			10	$\mu A$
Input Leakage Current Low	$I_{LIL}$	$V_I = 0V$			-10	$\mu A$
Output Leakage Current High	$I_{LOH}$	$V_I = V_{DD}$			10	$\mu A$
Output Leakage Current Low	$I_{LOH}$	$V_I = 0V$			-10	$\mu A$
Supply Current	$I_{DD1}$	Operation mode		5	10	mA

# Phase-out/Discontinued

DC CHARACTERISTICS ( $T_a = -40$  to  $+85^\circ\text{C}$ ,  $V_{DD} = 5\text{V} \pm 10\%$ ) (Cont'd)

PARAMETER	SYMBOL	TEST CONDITIONS	MIN.	TYP.	MAX.	UNIT
Supply Current	$I_{DD2}$	Standby mode  Inputs: RESET=0.1V Others= $V_{DD} - 0.1\text{V}$  Outputs: Open		2	50	$\mu\text{A}$

\* For up to 8 lines arbitrarily chosen from ports B and C.



## CAPACITANCE

PARAMETER	SYMBOL	TEST CONDITIONS	MIN.	TYP.	MAX.	UNIT
Input Capacitance	$C_I$	$f_c = 1\text{ MHz}$ Unmeasured pins returned to 0V			10	pF
I/O Capacitance	$C_{IO}$				20	pF

# Phase-out/Discontinued

AC CHARACTERISTICS (Ta = -40 to +85°C, V<sub>DD</sub> = 5V ±10%)  
 READ CYCLE:

PARAMETER	SYMBOL	TEST CONDITIONS	uPD71055		uPD71055-10		UNIT
			MIN.	MAX.	MIN.	MAX.	
Address* Set-up to $\overline{\text{RD}} \downarrow$	t <sub>SAR</sub>		0		0		ns
Address* Hold from $\overline{\text{RD}} \uparrow$	t <sub>HRA</sub>		0		0		ns
$\overline{\text{RD}}$ Pulse Width	t <sub>RRL</sub>		160		150		ns
Data Delay Time from $\overline{\text{RD}} \downarrow$	t <sub>DRD</sub>	C <sub>L</sub> = 150pF		120		100	ns
Data Float Time from $\overline{\text{RD}} \uparrow$	t <sub>FRD</sub>	C <sub>L</sub> = 20pF R <sub>L</sub> = 2K ohm	10	85	10	60	ns
Read out Recovery Time	t <sub>RV</sub>		200		150		ns

WRITE CYCLE:

PARAMETER	SYMBOL	TEST CONDITIONS	uPD71055		uPD71055-10		UNIT
			MIN.	MAX.	MIN.	MAX.	
Address* Set-up to $\overline{\text{WR}} \downarrow$	t <sub>SAW</sub>		0		0		ns
Address* Hold from $\overline{\text{WR}} \uparrow$	t <sub>HWA</sub>		0		0		ns
$\overline{\text{WR}}$ Pulse Width	t <sub>WWL</sub>		120		100		ns
Data Set-up Time to $\overline{\text{WR}} \downarrow$	t <sub>SDW</sub>		100		100		ns
Data Hold Time from $\overline{\text{WR}} \uparrow$	t <sub>HWD</sub>		0		0		ns
Write Recovery Time	t <sub>RV</sub>		200		150		ns

\*:  $\overline{\text{CS}}$ , A1 and A0

# Phase-out/Discontinued

AC CHARACTERISTICS (Ta = -40 to +85°C, V<sub>DD</sub> = 5V ±10%) (Cont'd)  
OTHERS:

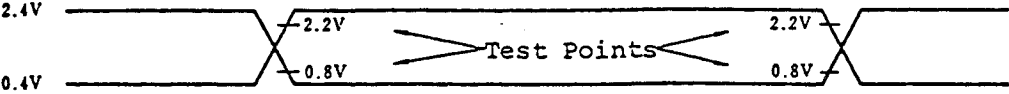
PARAMETER	SYMBOL	TEST CONDITIONS	uPD71055		uPD71055-10		UNIT
			MIN.	MAX.	MIN.	MAX.	
Port Setup Time to $\overline{RD}$ ↓	t <sub>SPR</sub>		0		0		ns
Port Hold Time from $\overline{RD}$ ↑	t <sub>HRP</sub>		0		0		ns
Port Setup Time to $\overline{STB}$ ↓	t <sub>SPS</sub>		0		0		ns
Port Hold Time from $\overline{STB}$ ↑	t <sub>HSP</sub>		150		150		ns
Port Delay Time from $\overline{WR}$ ↑	t <sub>DWP</sub>	C <sub>L</sub> = 150pF		350		200	ns
$\overline{STB}$ Pulse Width	t <sub>SSL</sub>		350		100		ns
$\overline{DAK}$ Pulse Width	t <sub>DADAL</sub>		300		100		ns
Port Delay Time from $\overline{DAK}$ ↓ (Mode 2)	t <sub>DDAP</sub>	C <sub>L</sub> = 150pF		300		150	ns
Port Float Time from $\overline{DAK}$ ↑ (Mode 2)	t <sub>FDAP</sub>	C <sub>L</sub> = 20pF R <sub>L</sub> = 2K ohm	20	250	20	250	ns
$\overline{OBF}$ Set Delay from $\overline{WR}$ ↑	t <sub>DWOB</sub>	C <sub>L</sub> = 150pF		300		150	ns
$\overline{OBF}$ Clear Delay from $\overline{DAK}$ ↓	t <sub>DDAOB</sub>			350		150	ns
IBF Set Delay from $\overline{STB}$ ↓	t <sub>DSIB</sub>			300		150	ns
IBF Clear Delay from $\overline{RD}$ ↑	t <sub>DRIB</sub>			300		150	ns
INT Set Delay from $\overline{DAK}$ ↑	t <sub>DDAI</sub>			350		150	ns
INT Clear Delay from $\overline{WR}$ ↓	t <sub>DWI</sub>			450		200	ns
INT Set Delay from $\overline{STB}$ ↑	t <sub>DSI</sub>			300		150	ns
INT Clear Delay from $\overline{RD}$ ↓	t <sub>DRI</sub>			400		200	ns
RESET Pulse Width	t <sub>RESET1</sub>		*1	50		50	
	t <sub>RESET2</sub>	*2	500		500		ns

\*1: During power-on or right after power-on

\*2: During operation

# Phase-out/Discontinued

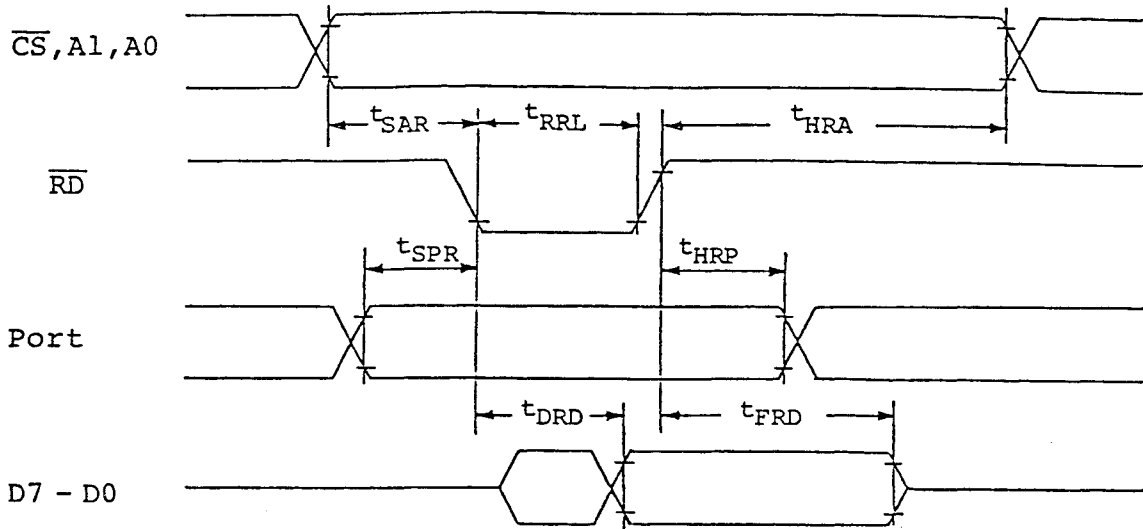
AC TEST INPUT WAVEFORM



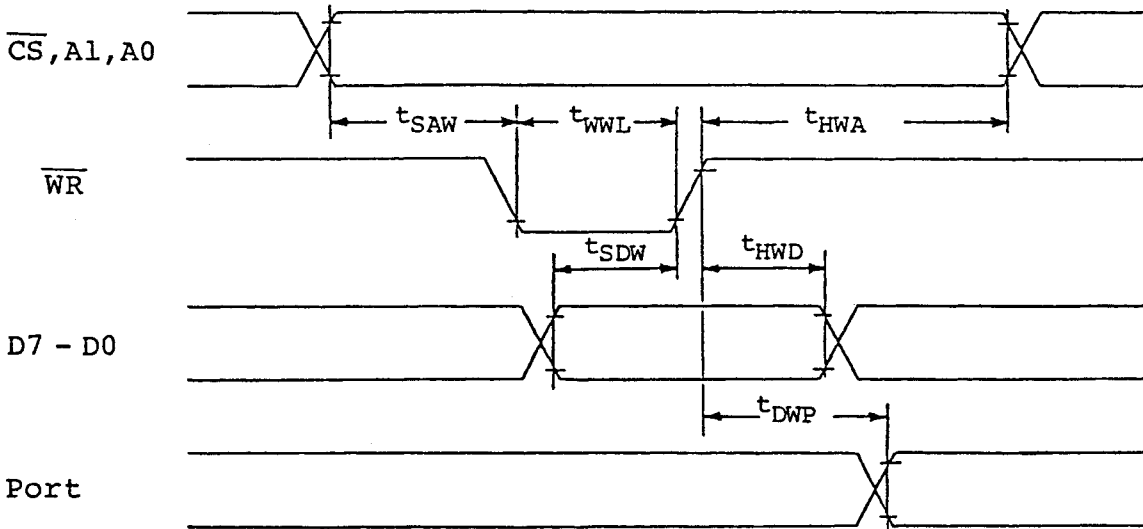
# Phase-out/Discontinued

## TIMING

MODE 0: Input



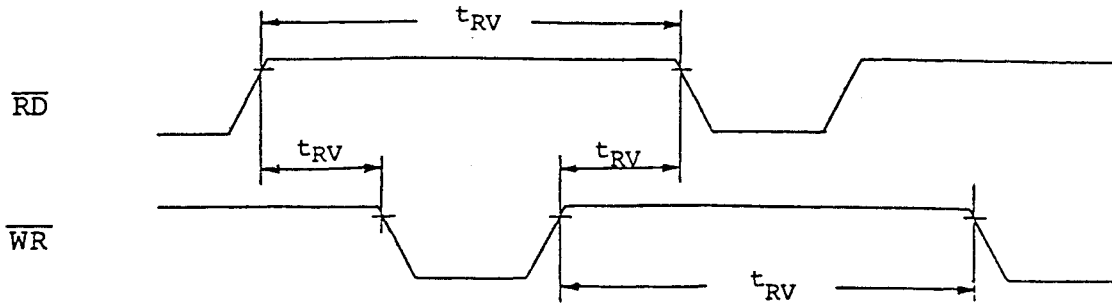
MODE 0: Output



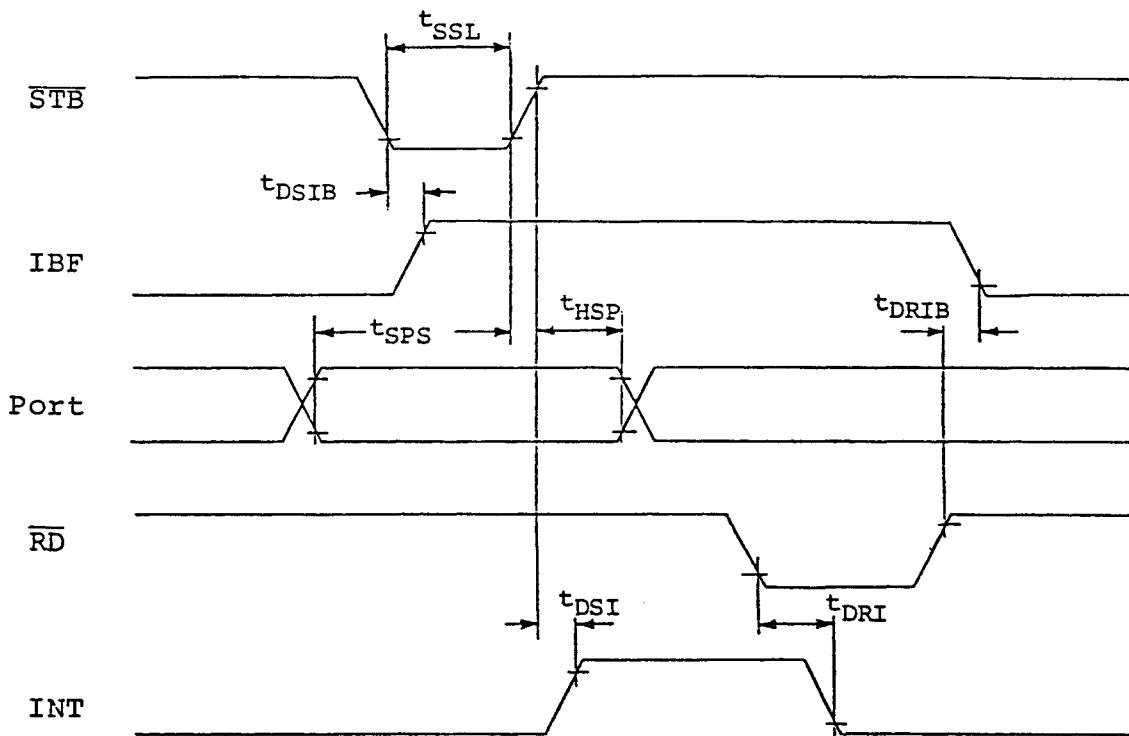


# Phase-out/Discontinued

## RECOVERY TIME

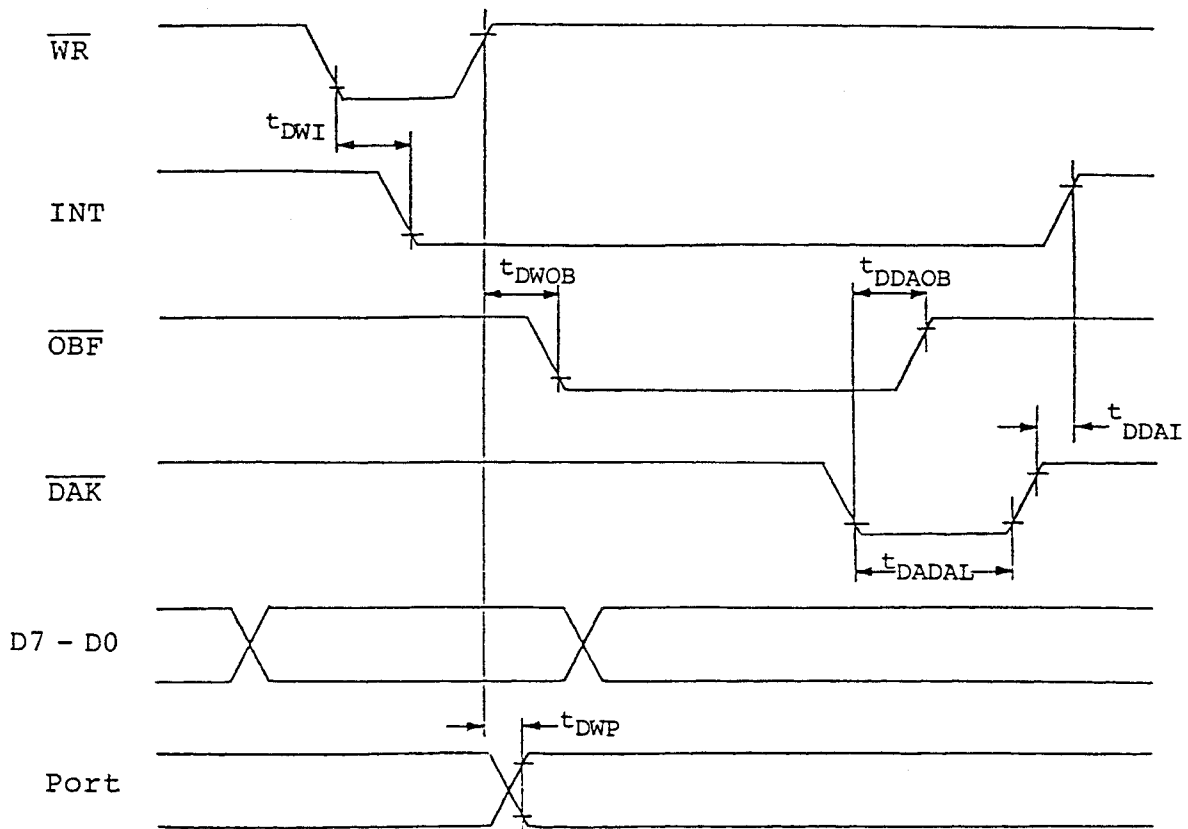


## MODE 1: Input



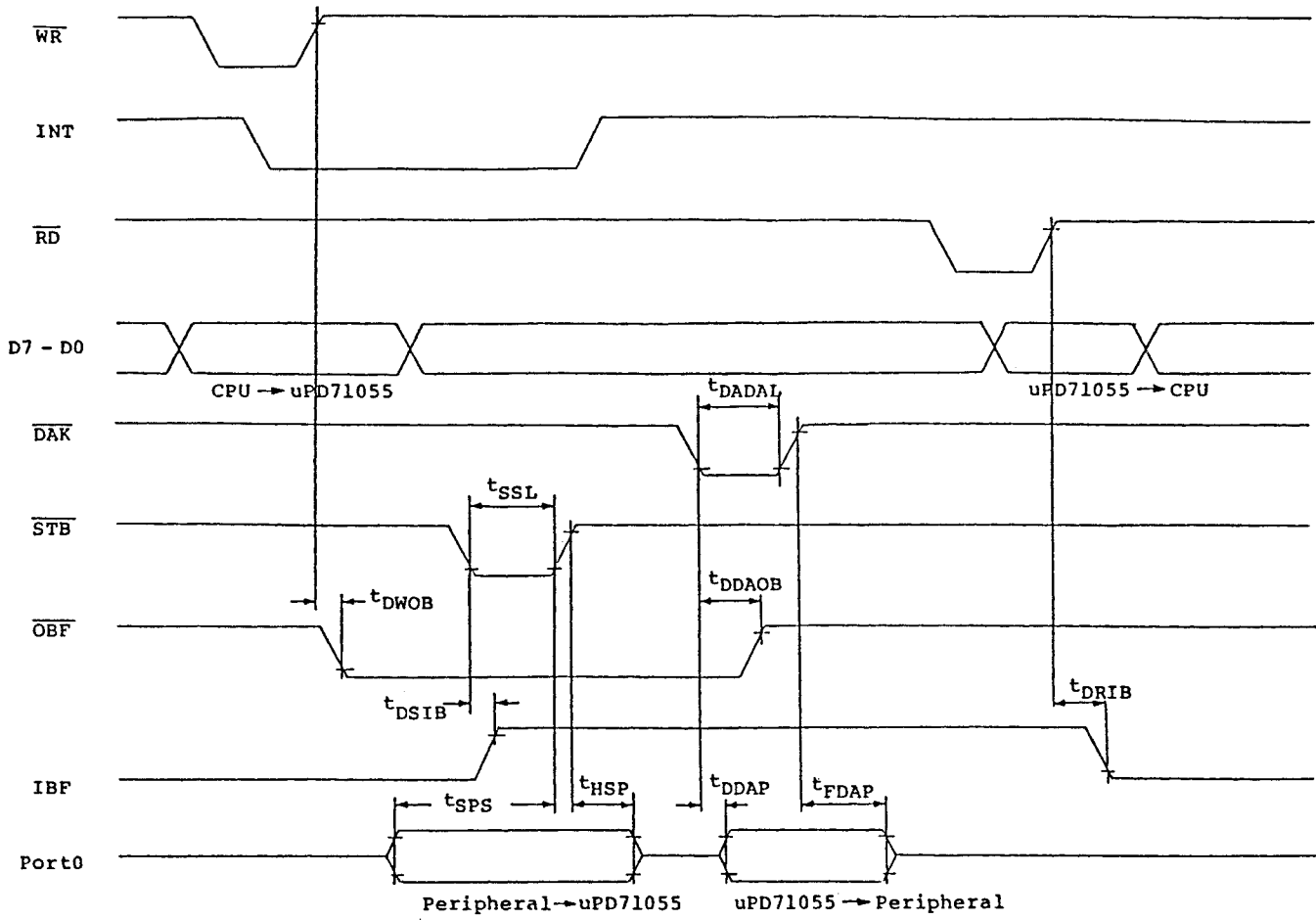
# Phase-out/Discontinued

MODE 1: Output



# Phase-out/Discontinued

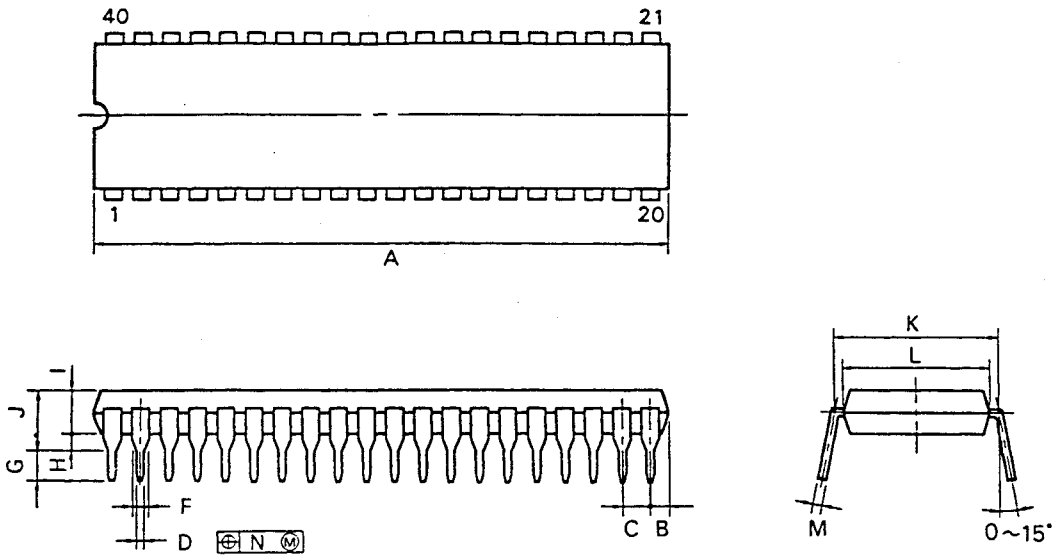
MODE 2:



# Phase-out/Discontinued

## PACKAGE OUTLINES

### 40-pin Plastic



P40C-100-600A

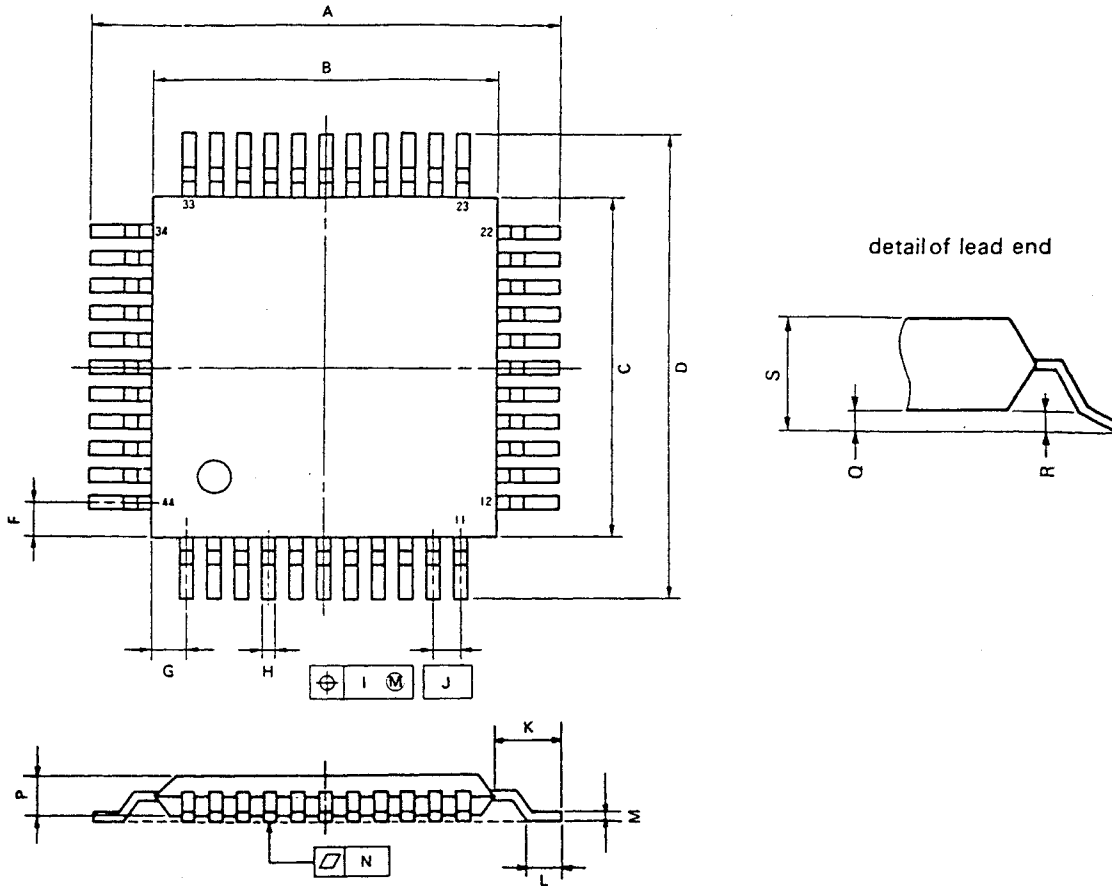
#### NOTES

- 1) Each lead centerline is located within 0.25 mm (0.01 inch) of its true position (T.P.) at maximum material condition.
- 2) Item "K" to center of leads when formed parallel.

ITEM	MILLIMETERS	INCHES
A	53.34 MAX.	2.100 MAX.
B	2.54 MAX.	0.100 MAX.
C	2.54 (T.P.)	0.100 (T.P.)
D	0.50 $^{+0.10}$	0.020 $^{+0.004}$ $^{-0.005}$
F	1.2 MIN.	0.047 MIN.
G	3.6 $^{-0.3}$	0.142 $^{-0.012}$
H	0.51 MIN.	0.020 MIN.
I	4.31 MAX.	0.170 MAX.
J	5.72 MAX.	0.226 MAX.
K	15.24 (T.P.)	0.600 (T.P.)
L	13.2	0.520
M	0.25 $^{+0.10}$ $^{-0.05}$	0.010 $^{+0.004}$ $^{-0.005}$
N	0.25	0.01

# Phase-out/Discontinued

44-pin Plastic QFP (bent lead)



P44GB-80-3B4

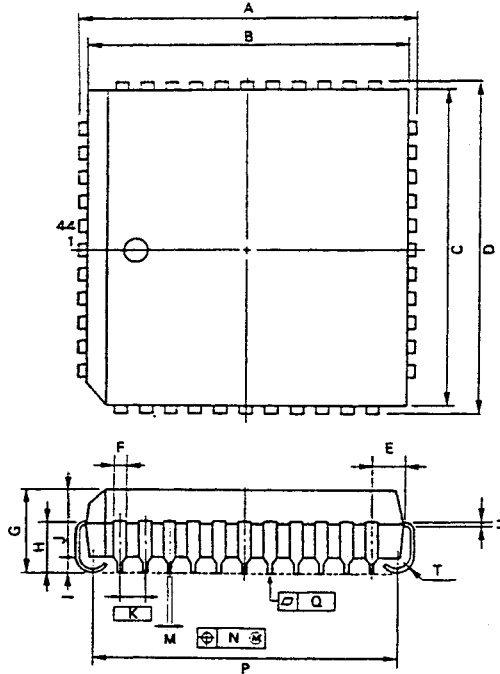
**NOTE**

Each lead centerline is located within 0.15 mm (0.006 inch) of its true position (T.P.) at maximum material condition.

ITEM	MILLIMETERS	INCHES
A	13.6 <sup>+0.4</sup>	0.535 <sup>-0.012</sup>
B	10 <sup>+0.2</sup>	0.394 <sup>-0.008</sup>
C	10 <sup>+0.2</sup>	0.394 <sup>-0.008</sup>
D	13.6 <sup>+0.4</sup>	0.535 <sup>-0.012</sup>
F	1.0	0.039
G	1.0	0.039
H	0.35 <sup>+0.10</sup>	0.014 <sup>-0.004</sup>
I	0.15	0.006
J	0.8 (T.P.)	0.031 (T.P.)
K	1.8 <sup>+0.2</sup>	0.071 <sup>-0.008</sup>
L	0.8 <sup>+0.2</sup>	0.031 <sup>-0.008</sup>
M	0.15 <sup>-0.02</sup>	0.006 <sup>-0.002</sup>
N	0.15	0.006
P	2.7	0.106
Q	0.1 <sup>+0.1</sup>	0.004 <sup>+0.004</sup>
R	0.1 <sup>-0.1</sup>	0.004 <sup>-0.004</sup>
S	3.0 MAX.	0.119 MAX.

# Phase-out/Discontinued

44-pin PLCC



P44L-50A1

**NOTE**

Each lead centerline is located within 0.12 mm (0.005 inch) of its true position (T.P.) at maximum material condition.

ITEM	MILLIMETERS	INCHES
A	17.5 <sup>±0.2</sup>	0.689 <sup>±0.008</sup>
B	16.58	0.653
C	16.58	0.653
D	17.5 <sup>±0.2</sup>	0.689 <sup>±0.008</sup>
E	1.94 <sup>±0.15</sup>	0.076 <sup>+0.007</sup> <sub>-0.008</sub>
F	0.6	0.024
G	4.4 <sup>±0.2</sup>	0.173 <sup>+0.009</sup> <sub>-0.008</sub>
H	2.8 <sup>±0.2</sup>	0.110 <sup>+0.009</sup> <sub>-0.008</sub>
I	0.9 MIN.	0.035 MIN.
J	3.4	0.134
K	1.27 (T.P.)	0.050 (T.P.)
M	0.40 <sup>±0.10</sup>	0.016 <sup>+0.004</sup> <sub>-0.005</sub>
N	0.12	0.005
P	15.50 <sup>±0.20</sup>	0.610 <sup>+0.009</sup> <sub>-0.008</sub>
Q	0.15	0.006
T	R 0.8	R 0.031
U	0.20 <sup>+0.10</sup> <sub>-0.05</sub>	0.008 <sup>+0.004</sup> <sub>-0.002</sub>

**Phase-out/Discontinued**