

To our customers,

---

## Old Company Name in Catalogs and Other Documents

---

On April 1<sup>st</sup>, 2010, NEC Electronics Corporation merged with Renesas Technology Corporation, and Renesas Electronics Corporation took over all the business of both companies. Therefore, although the old company name remains in this document, it is a valid Renesas Electronics document. We appreciate your understanding.

Renesas Electronics website: <http://www.renesas.com>

April 1<sup>st</sup>, 2010  
Renesas Electronics Corporation

Issued by: Renesas Electronics Corporation (<http://www.renesas.com>)

Send any inquiries to <http://www.renesas.com/inquiry>.

## Notice

1. All information included in this document is current as of the date this document is issued. Such information, however, is subject to change without any prior notice. Before purchasing or using any Renesas Electronics products listed herein, please confirm the latest product information with a Renesas Electronics sales office. Also, please pay regular and careful attention to additional and different information to be disclosed by Renesas Electronics such as that disclosed through our website.
2. Renesas Electronics does not assume any liability for infringement of patents, copyrights, or other intellectual property rights of third parties by or arising from the use of Renesas Electronics products or technical information described in this document. No license, express, implied or otherwise, is granted hereby under any patents, copyrights or other intellectual property rights of Renesas Electronics or others.
3. You should not alter, modify, copy, or otherwise misappropriate any Renesas Electronics product, whether in whole or in part.
4. Descriptions of circuits, software and other related information in this document are provided only to illustrate the operation of semiconductor products and application examples. You are fully responsible for the incorporation of these circuits, software, and information in the design of your equipment. Renesas Electronics assumes no responsibility for any losses incurred by you or third parties arising from the use of these circuits, software, or information.
5. When exporting the products or technology described in this document, you should comply with the applicable export control laws and regulations and follow the procedures required by such laws and regulations. You should not use Renesas Electronics products or the technology described in this document for any purpose relating to military applications or use by the military, including but not limited to the development of weapons of mass destruction. Renesas Electronics products and technology may not be used for or incorporated into any products or systems whose manufacture, use, or sale is prohibited under any applicable domestic or foreign laws or regulations.
6. Renesas Electronics has used reasonable care in preparing the information included in this document, but Renesas Electronics does not warrant that such information is error free. Renesas Electronics assumes no liability whatsoever for any damages incurred by you resulting from errors in or omissions from the information included herein.
7. Renesas Electronics products are classified according to the following three quality grades: “Standard”, “High Quality”, and “Specific”. The recommended applications for each Renesas Electronics product depends on the product’s quality grade, as indicated below. You must check the quality grade of each Renesas Electronics product before using it in a particular application. You may not use any Renesas Electronics product for any application categorized as “Specific” without the prior written consent of Renesas Electronics. Further, you may not use any Renesas Electronics product for any application for which it is not intended without the prior written consent of Renesas Electronics. Renesas Electronics shall not be in any way liable for any damages or losses incurred by you or third parties arising from the use of any Renesas Electronics product for an application categorized as “Specific” or for which the product is not intended where you have failed to obtain the prior written consent of Renesas Electronics. The quality grade of each Renesas Electronics product is “Standard” unless otherwise expressly specified in a Renesas Electronics data sheets or data books, etc.
  - “Standard”: Computers; office equipment; communications equipment; test and measurement equipment; audio and visual equipment; home electronic appliances; machine tools; personal electronic equipment; and industrial robots.
  - “High Quality”: Transportation equipment (automobiles, trains, ships, etc.); traffic control systems; anti-disaster systems; anti-crime systems; safety equipment; and medical equipment not specifically designed for life support.
  - “Specific”: Aircraft; aerospace equipment; submersible repeaters; nuclear reactor control systems; medical equipment or systems for life support (e.g. artificial life support devices or systems), surgical implantations, or healthcare intervention (e.g. excision, etc.), and any other applications or purposes that pose a direct threat to human life.
8. You should use the Renesas Electronics products described in this document within the range specified by Renesas Electronics, especially with respect to the maximum rating, operating supply voltage range, movement power voltage range, heat radiation characteristics, installation and other product characteristics. Renesas Electronics shall have no liability for malfunctions or damages arising out of the use of Renesas Electronics products beyond such specified ranges.
9. Although Renesas Electronics endeavors to improve the quality and reliability of its products, semiconductor products have specific characteristics such as the occurrence of failure at a certain rate and malfunctions under certain use conditions. Further, Renesas Electronics products are not subject to radiation resistance design. Please be sure to implement safety measures to guard them against the possibility of physical injury, and injury or damage caused by fire in the event of the failure of a Renesas Electronics product, such as safety design for hardware and software including but not limited to redundancy, fire control and malfunction prevention, appropriate treatment for aging degradation or any other appropriate measures. Because the evaluation of microcomputer software alone is very difficult, please evaluate the safety of the final products or system manufactured by you.
10. Please contact a Renesas Electronics sales office for details as to environmental matters such as the environmental compatibility of each Renesas Electronics product. Please use Renesas Electronics products in compliance with all applicable laws and regulations that regulate the inclusion or use of controlled substances, including without limitation, the EU RoHS Directive. Renesas Electronics assumes no liability for damages or losses occurring as a result of your noncompliance with applicable laws and regulations.
11. This document may not be reproduced or duplicated, in any form, in whole or in part, without prior written consent of Renesas Electronics.
12. Please contact a Renesas Electronics sales office if you have any questions regarding the information contained in this document or Renesas Electronics products, or if you have any other inquiries.

(Note 1) “Renesas Electronics” as used in this document means Renesas Electronics Corporation and also includes its majority-owned subsidiaries.

(Note 2) “Renesas Electronics product(s)” means any product developed or manufactured by or for Renesas Electronics.

## 8-BIT SINGLE-CHIP MICROCONTROLLERS

### DESCRIPTION

The  $\mu$ PD780031, 780032, 780033, and 780034 are members of the  $\mu$ PD780034 Subseries of the 78K/0 Series. They provide only selected functions of the existing  $\mu$ PD78054 Subseries, and feature an enhanced serial interface as well as an on-chip 10-bit resolution A/D converter.

A flash memory version, the  $\mu$ PD78F0034, ROM version and various development tools are available.

Detailed function descriptions are provided in the following user's manuals. Be sure to read them before designing.

$\mu$ PD780024, 780034, 780024Y, 780034Y Subseries User's Manual: U12022E  
78K/0 Series User's Manual – Instructions : U12326E

### FEATURES

- Internal ROM and RAM

Part Number	Item	Program Memory (Internal ROM)	Data Memory (Internal High-Speed RAM)	Package
$\mu$ PD780031		8 Kbytes	512 bytes	<ul style="list-style-type: none"> <li>• 64-pin plastic shrink DIP (750 mil)</li> <li>• 64-pin plastic QFP (14 × 14 mm)</li> </ul>
$\mu$ PD780032		16 Kbytes		
$\mu$ PD780033		24 Kbytes	1024 bytes	<ul style="list-style-type: none"> <li>• 64-pin plastic LQFP (12 × 12 mm)</li> </ul>
$\mu$ PD780034		32 Kbytes		

- External memory expansion space: 64 Kbytes
- Minimum instruction execution time: 0.24  $\mu$ s (at  $f_x = 8.38$ -MHz operation)
- I/O ports: 51 (N-ch open-drain 5-V withstand voltage: 4)
- ★ 10-bit resolution A/D converter: 8 channels ( $AV_{DD} = 2.7$  to 5.5 V)
- Serial interface: 3 channels
- Timer: 5 channels
- Power supply voltage:  $V_{DD} = 1.8$  to 5.5 V

### APPLICATIONS

Telephones, home electric appliances, pagers, AV equipment, car audios, office automation equipment, etc.

The information in this document is subject to change without notice.

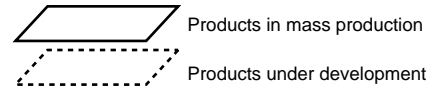
## ORDERING INFORMATION

Part Number	Package
$\mu$ PD780031CW-xxx	64-pin plastic shrink DIP (750 mils)
$\mu$ PD780031GC-xxx-AB8	64-pin plastic QFP (14 × 14 mm)
$\mu$ PD780031GK-xxx-8A8	64-pin plastic LQFP (12 × 12 mm)
$\mu$ PD780032CW-xxx	64-pin plastic shrink DIP (750 mils)
$\mu$ PD780032GC-xxx-AB8	64-pin plastic QFP (14 × 14 mm)
$\mu$ PD780032GK-xxx-8A8	64-pin plastic LQFP (12 × 12 mm)
$\mu$ PD780033CW-xxx	64-pin plastic shrink DIP (750 mils)
$\mu$ PD780033GC-xxx-AB8	64-pin plastic QFP (14 × 14 mm)
$\mu$ PD780033GK-xxx-8A8	64-pin plastic LQFP (12 × 12 mm)
$\mu$ PD780034CW-xxx	64-pin plastic shrink DIP (750 mils)
$\mu$ PD780034GC-xxx-AB8	64-pin plastic QFP (14 × 14 mm)
$\mu$ PD780034GK-xxx-8A8	64-pin plastic LQFP (12 × 12 mm)

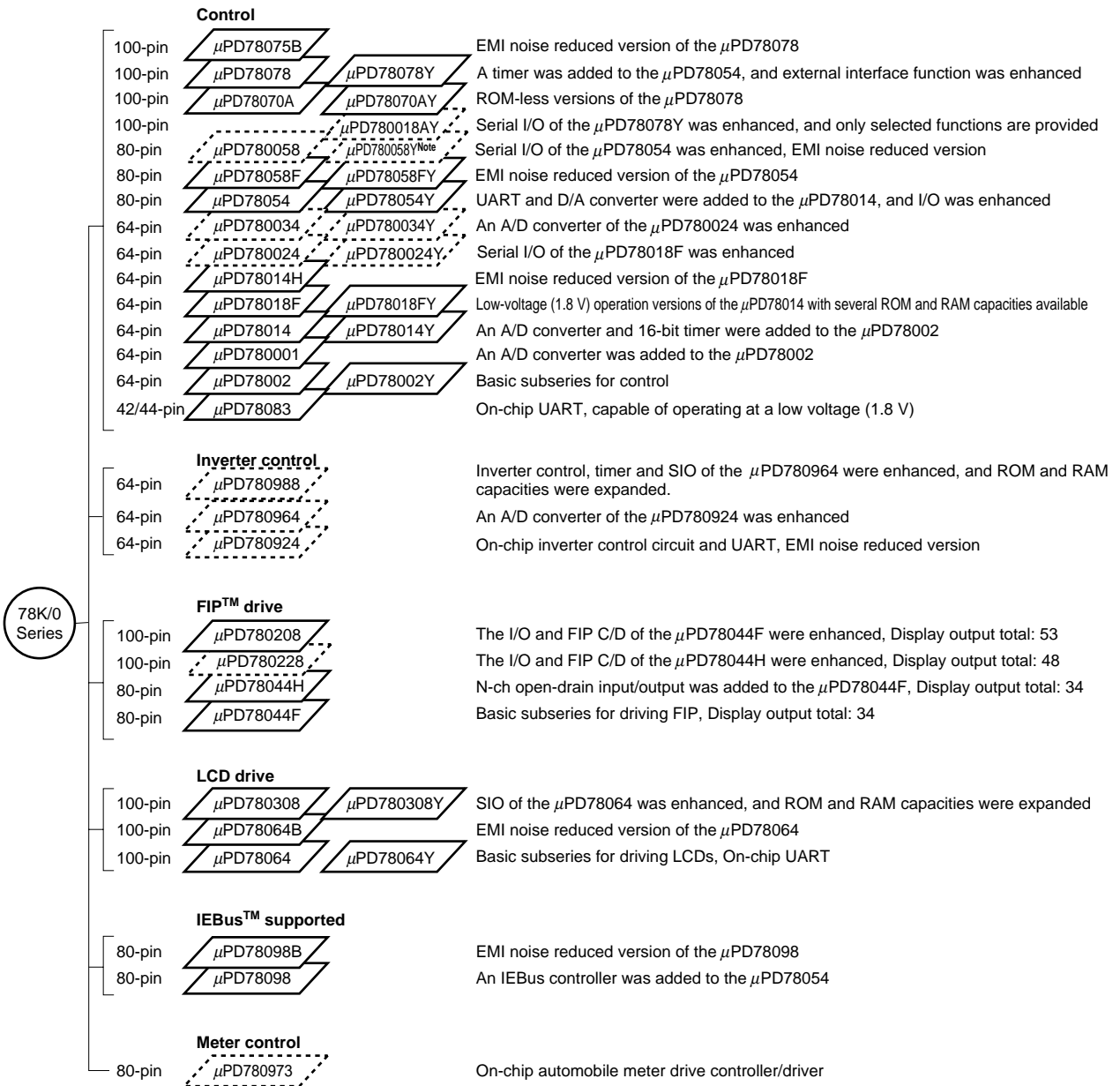
**Remark** xxx indicates the ROM code suffix.

★ **78K/0 SERIES PRODUCT DEVELOPMENT**

These products are a further development in the 78K/0 Series. The designations appearing inside the boxes are subseries names.



Y subseries products are compatible with I<sup>2</sup>C bus.



**Note** Under planning

The major functional differences among the subseries are shown below.

Function Subseries Name		ROM Capacity	Timer				8-bit A/D	10-bit A/D	8-bit D/A	Serial Interface	I/O	V <sub>DD</sub> MIN. Value	External Expansion
			8-bit	16-bit	Watch	WDT							
Control	$\mu$ PD78075B	32 K-40 K	4 ch	1 ch	1 ch	1 ch	8 ch	-	2 ch	3 ch (UART: 1 ch)	88	1.8 V	Available
	$\mu$ PD78078	48 K-60 K									61		
	$\mu$ PD78070A	-	2 ch	-	-	-	-	-	-	3 ch (time-division UART: 1ch)	68	1.8 V	-
	$\mu$ PD780058	24 K-60 K								3 ch (UART: 1 ch)	69	2.7 V	
	$\mu$ PD78058F	48 K-60 K	-	-	-	-	-	-	-	-	-	-	-
	$\mu$ PD78054	16 K-60 K											
	$\mu$ PD780034	8 K-32 K	-	-	-	-	-	8 ch	-	3 ch (UART: 1 ch, time-division 3-wire: 1 ch)	51	1.8 V	-
	$\mu$ PD780024						8 ch	-	53				
	$\mu$ PD78014H	8 K-60 K	-	-	-	-	-	-	-	-	-	-	-
	$\mu$ PD78018F												
	$\mu$ PD78014	8 K-32 K	-	-	-	-	-	-	-	-	-	-	-
	$\mu$ PD780001	8 K											
	$\mu$ PD78002	8 K-16 K	-	-	1 ch	-	-	-	-	-	-	-	-
	$\mu$ PD78083	8 K											
$\mu$ PD78083	8 K-16 K	-	-	-	-	8 ch	-	-	1 ch (UART: 1 ch)	33	1.8 V	-	
Inverter control	$\mu$ PD780988	32 K-60 K	3 ch	<b>Note 1</b>	-	1 ch	-	8 ch	-	3 ch (UART: 2 ch)	47	4.0 V	Available
	$\mu$ PD780964	8 K-32 K		<b>Note 2</b>	-	-	-	-	2 ch (UART: 2 ch)	2.7 V			
	$\mu$ PD780924	8 K-32 K		-	-	-	-	8 ch	-	-	-	-	-
FIP drive	$\mu$ PD780208	32 K-60 K	2 ch	1 ch	1 ch	1 ch	8 ch	-	-	2 ch	74	2.7 V	-
	$\mu$ PD780228	48 K-60 K	3 ch	-	-	-	-	-	-	1 ch	72	4.5 V	
	$\mu$ PD78044H	32 K-48 K	2 ch	1 ch	1 ch	-	-	-	-	-	68	2.7 V	
	$\mu$ PD78044F	16 K-40 K	-	-	-	-	-	-	-	2 ch	-	-	
LCD drive	$\mu$ PD780308	48 K-60 K	2 ch	1 ch	1 ch	1 ch	8 ch	-	-	3 ch (time-division UART: 1 ch)	57	2.0 V	-
	$\mu$ PD78064B	32 K								2 ch (UART: 1 ch)			
	$\mu$ PD78064	16 K-32 K								-			
IEBus supported	$\mu$ PD78098B	40 K-60 K	2 ch	1 ch	1 ch	1 ch	8 ch	-	2 ch	3 ch (UART: 1 ch)	69	2.7 V	Available
	$\mu$ PD78098	32 K-60 K											
Meter control	$\mu$ PD780973	24 K-32 K	3 ch	1 ch	1 ch	1 ch	5 ch	-	-	2 ch (UART: 1 ch)	56	4.5 V	-

- Notes**
- 16-bit timer: 2 channels  
10-bit timer: 1 channel
  - 10-bit timer: 1 channel

**FUNCTION OVERVIEW**

Part Number		μPD780031	μPD780032	μPD780033	μPD780034
Internal memory	ROM	8 Kbytes	16 Kbytes	24 Kbytes	32 Kbytes
	High-speed RAM	512 bytes		1024 bytes	
Memory space		64 Kbytes			
General-purpose registers		8 bits × 32 registers (8 bits × 8 registers × 4 banks)			
Minimum instruction execution time	When main system clock selected	0.24 μs/0.48 μs/0.95 μs/1.91 μs/3.81 μs (at 8.38-MHz operation)			
	When subsystem clock selected	122 μs (at 32.768-kHz operation)			
Instruction set		<ul style="list-style-type: none"> <li>• 16-bit operation</li> <li>• Multiply/divide (8 bits × 8 bits, 16 bits ÷ 8 bits)</li> <li>• Bit manipulate (set, reset, test, Boolean operation)</li> <li>• BCD adjust, etc.</li> </ul>			
I/O ports		Total : 51 <ul style="list-style-type: none"> <li>• CMOS input : 8</li> <li>• CMOS I/O : 39</li> <li>• N-ch open-drain I/O (5-V withstand voltage) : 4</li> </ul>			
A/D converter		<ul style="list-style-type: none"> <li>• 10-bit resolution x 8 channels</li> <li>• Low-voltage operation available: AV<sub>DD</sub> = 2.7 to 5.5 V</li> </ul>			
Serial interface		<ul style="list-style-type: none"> <li>• 3-wire serial I/O mode : 2 channels</li> <li>• UART mode : 1 channel</li> </ul>			
Timer		<ul style="list-style-type: none"> <li>• 16-bit timer/event counter : 1 channel</li> <li>• 8-bit timer/event counter : 2 channels</li> <li>• Watch timer : 1 channel</li> <li>• Watchdog timer : 1 channel</li> </ul>			
Timer output		3 (8-bit PWM output capable: 2)			
Clock output		<ul style="list-style-type: none"> <li>• 65.5 kHz, 131 kHz, 262 kHz, 524 kHz, 1.05 MHz, 2.10 MHz, 4.19 MHz, 8.38 MHz (main system clock: at 8.38-MHz operation)</li> <li>• 32.768 kHz (subsystem clock: at 32.768-kHz operation)</li> </ul>			
Buzzer output		1.02 kHz, 2.05 kHz, 4.10 kHz, 8.19 kHz (main system clock: at 8.38-MHz operation)			
Vectored interrupt sources	Maskable	Internal : 13, external : 5			
	Non-maskable	Internal : 1			
	Software	1			
Power supply voltage		V <sub>DD</sub> = 1.8 to 5.5 V			
Operating ambient temperature		T <sub>A</sub> = -40 to +85°C			
Package		<ul style="list-style-type: none"> <li>• 64-pin plastic shrink DIP (750 mils)</li> <li>• 64-pin plastic QFP (14 × 14 mm)</li> <li>• 64-pin plastic LQFP (12 × 12 mm)</li> </ul>			

★

**CONTENTS**

1. PIN CONFIGURATION (Top View) ..... 7

2. BLOCK DIAGRAM ..... 10

3. PIN FUNCTIONS ..... 11

    3.1 Port Pins ..... 11

    3.2 Non-port Pins ..... 12

    3.3 Pin I/O Circuits and Recommended Connection of Unused Pins ..... 14

4. MEMORY SPACE ..... 16

5. PERIPHERAL HARDWARE FUNCTION FEATURES ..... 17

    5.1 Ports ..... 17

    5.2 Clock Generator ..... 18

    5.3 Timer/Counter ..... 19

    5.4 Clock Output/Buzzer Output Control Circuit ..... 23

    5.5 A/D Converter ..... 24

    5.6 Serial Interface ..... 25

6. INTERRUPT FUNCTIONS ..... 27

7. EXTERNAL DEVICE EXPANSION FUNCTIONS ..... 30

8. STANDBY FUNCTIONS ..... 30

9. RESET FUNCTION ..... 30

10. INSTRUCTION SET ..... 31

★ 11. ELECTRICAL SPECIFICATIONS ..... 33

12. PACKAGE DRAWINGS ..... 52

APPENDIX A. DEVELOPMENT TOOLS ..... 55

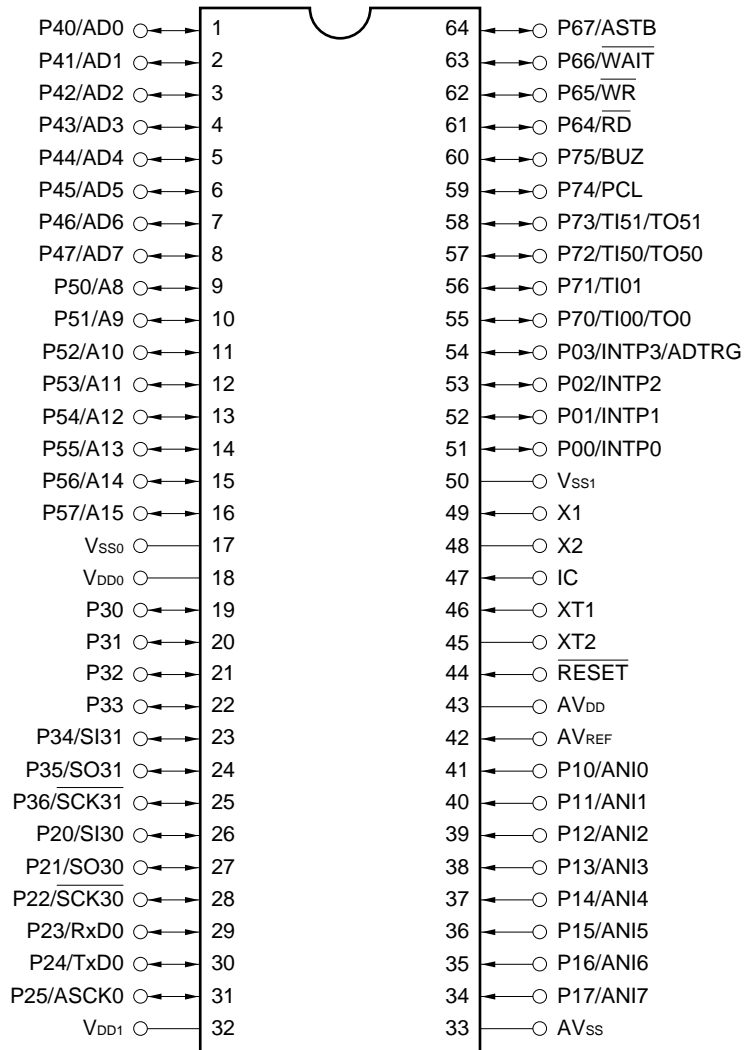
APPENDIX B. RELATED DOCUMENTS ..... 58



1. PIN CONFIGURATION (Top View)

- 64-pin plastic shrink DIP (750 mils)

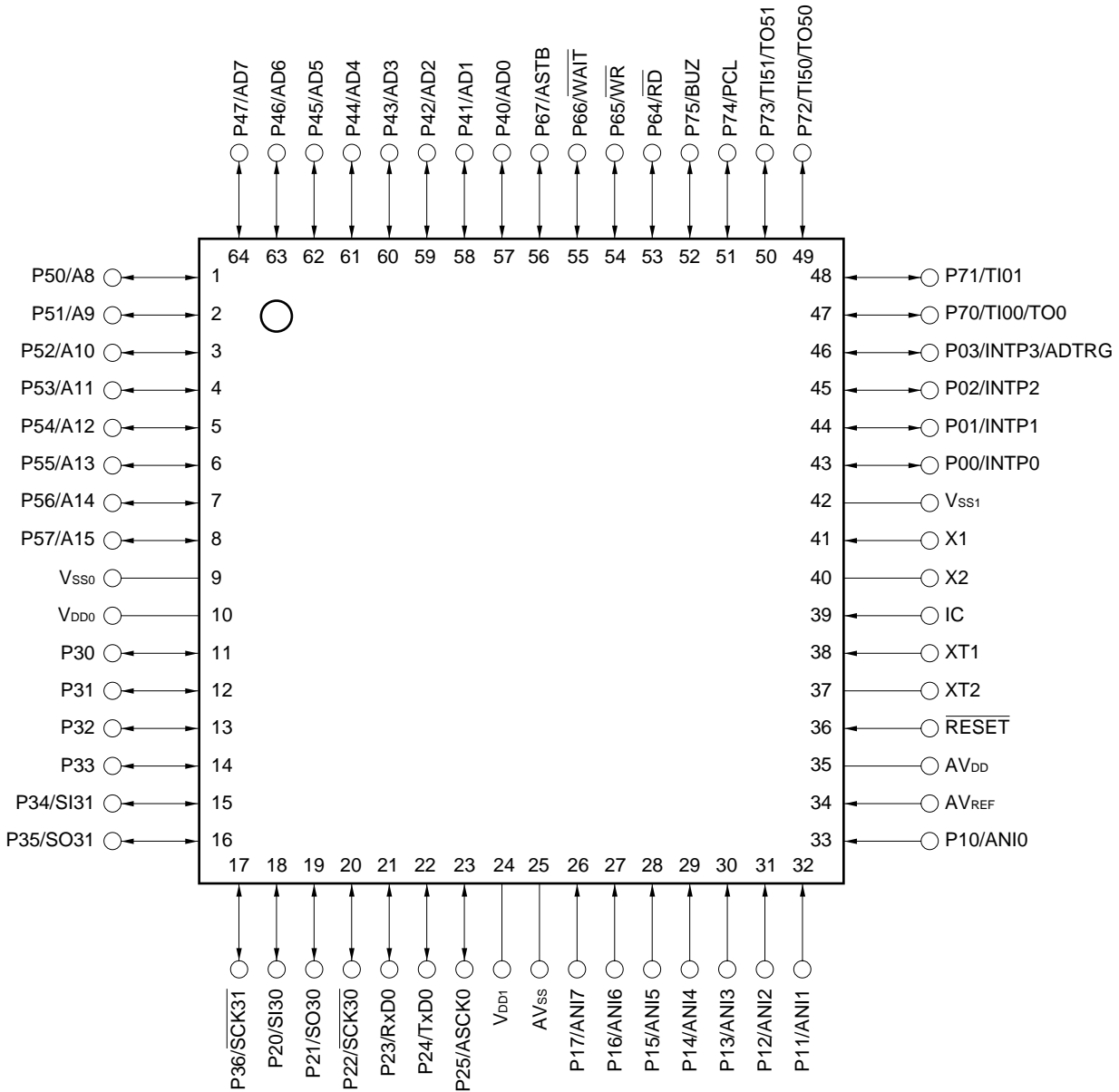
μPD780031CW-xxx, 780032CW-xxx, 780033CW-xxx, 780034CW-xxx



- ★ **Cautions**
1. Connect the IC (Internally Connected) pin directly to VSS0 or VSS1.
  2. Connect the AVSS pin to VSS0.

**Remark** When the μPD780031, 780032, 780033, and 780034 are used in applications where the noise generated inside the microcontroller needs to be reduced, the implementation of noise reduction measures, such as supplying voltage to VDD0 and VDD1 individually and connecting VSS0 and VSS1 to different ground lines, is recommended.

- **64-pin plastic QFP (14 × 14 mm)**  
 $\mu$ PD780031GC-xxx-AB8, 780032GC-xxx-AB8, 780033GC-xxx-AB8, 780034GC-xxx-AB8
- **64-pin plastic LQFP (12 × 12 mm)**  
 $\mu$ PD780031GK-xxx-8A8, 780032GK-xxx-8A8, 780033GK-xxx-8A8, 780034GK-xxx-8A8

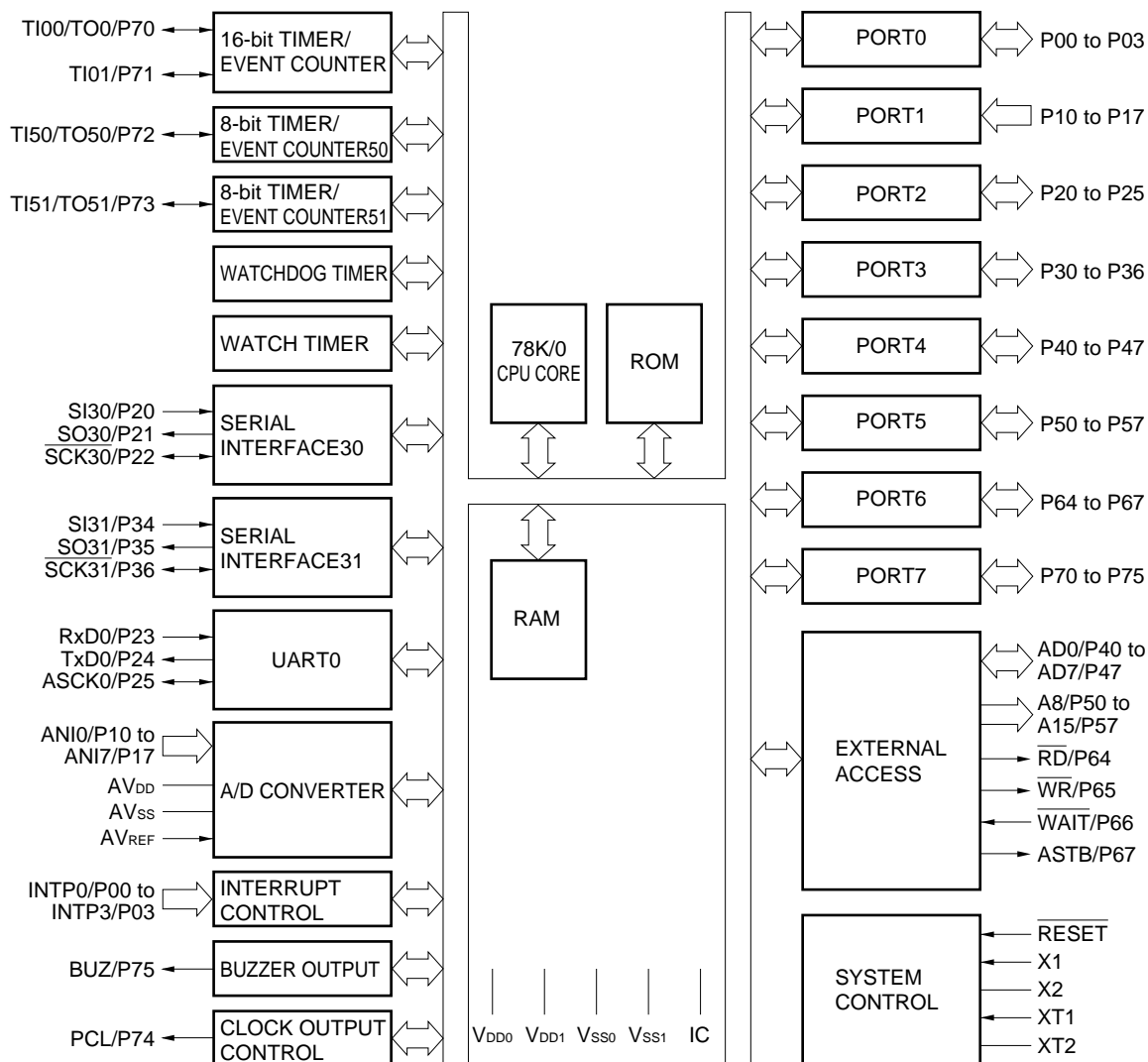


- ★ **Cautions**
  1. Connect the IC (Internally Connected) pin directly to Vss0 or Vss1.
  2. Connect the AVss pin to Vss0.

**Remark** When the  $\mu$ PD780031, 780032, 780033, and 780034 are used in applications where the noise generated inside the microcontroller needs to be reduced, the implementation of noise reduction measures, such as supplying voltage to VDD0 and VDD1 individually and connecting Vss0 and Vss1 to different ground lines, is recommended.

A8 to A15	: Address Bus	P64 to P67	: Port 6
AD0 to AD7	: Address/Data Bus	P70 to P75	: Port 7
ADTRG	: AD Trigger Input	PCL	: Programmable Clock
ANI0 to ANI7	: Analog Input	$\overline{RD}$	: Read Strobe
ASCK0	: Asynchronous Serial Clock	$\overline{RESET}$	: Reset
ASTB	: Address Strobe	RxD0	: Receive Data
AVDD	: Analog Power Supply	SCK30, SCK31	: Serial Clock
AVREF	: Analog Reference Voltage	SI30, SI31	: Serial Input
AVss	: Analog Ground	SO30, SO31	: Serial Output
BUZ	: Buzzer Clock	TI00, TI01, TI50, TI51	: Timer Input
IC	: Internally Connected	TO0, TO50, TO51	: Timer Output
INTP0 to INTP3	: Interrupt from Peripherals	TxD0	: Transmit Data
P00 to P03	: Port 0	VDD0, VDD1	: Power Supply
P10 to P17	: Port 1	VSS0, VSS1	: Ground
P20 to P25	: Port 2	$\overline{WAIT}$	: Wait
P30 to P36	: Port 3	$\overline{WR}$	: Write Strobe
P40 to P47	: Port 4	X1, X2	: Crystal (Main System Clock)
P50 to P57	: Port 5	XT1, XT2	: Crystal (Subsystem Clock)

**2. BLOCK DIAGRAM**



**Remark** The internal ROM and RAM capacities depend on the product.

**3. PIN FUNCTIONS**

**3.1 Port Pins (1/2)**

Pin Name	I/O	Function		After Reset	Alternate Function
P00	I/O	Port 0 4-bit input/output port. Input/output can be specified bit-wise. When used as an input port, an on-chip pull-up resistor can be connected by software.		Input	INTP0
P01					INTP1
P02					INTP2
P03					INTP3/ADTRG
P10 to P17	Input	Port 1 8-bit input only port.		Input	ANI0 to ANI7
P20	I/O	Port 2 6-bit input/output port. Input/output can be specified bit-wise. When used as an input port, an on-chip pull-up resistor can be connected by software.		Input	SI30
P21					SO30
P22					SCK30
P23					RxD0
P24					TxD0
P25					ASCK0
P30	I/O	Port 3 7-bit input/output port. Input/output can be specified bit-wise.		Input	—
P31					N-ch open-drain input/output port. An on-chip pull-up resistor can be specified by mask option. LEDs can be driven directly.
P32					
P33					
P34		When used as an input port, an on-chip pull-up resistor can be connected by software.	SI31		
P35			SO31		
P36			SCK31		
P40 to P47	I/O	Port 4 8-bit input/output port. Input/output can be specified bit-wise. When used as an input port, an on-chip pull-up resistor can be connected by software. Interrupt request flag (KRIF) is set to 1 by the falling edge detection.		Input	AD0 to AD7
P50 to P57	I/O	Port 5 8-bit input/output port. LEDs can be driven directly. Input/output can be specified bit-wise. When used as an input port, an on-chip pull-up resistor can be connected by software.		Input	A8 to A15
P64	I/O	Port 6 4-bit input/output port. Input/output can be specified bit-wise. When used as an input port, an on-chip pull-up resistor can be connected by software.		Input	$\overline{\text{RD}}$
P65					$\overline{\text{WR}}$
P66					$\overline{\text{WAIT}}$
P67					ASTB

**3.1 Port Pins (2/2)**

Pin Name	I/O	Function	After Reset	Alternate Function
P70	I/O	Port 7 6-bit input/output port. Input/output can be specified bit-wise. When used as an input port, an on-chip pull-up resistor can be connected by software.	Input	TI00/TO0
P71				TI01
P72				TI50/TO50
P73				TI51/TO51
P74				PCL
P75				BUZ

**3.2 Non-port Pins (1/2)**

Pin Name	I/O	Function	After Reset	Alternate Function
INTP0	Input	External interrupt request input for which the effective edge (rising edge, falling edge, or both rising edge and falling edge) can be specified.	Input	P00
INTP1				P01
INTP2				P02
INTP3				P03/ADTRG
SI30	Input	Serial interface serial data input.	Input	P20
SI31				P34
SO30	Output	Serial interface serial data output.	Input	P21
SO31				P35
SCK30	I/O	Serial interface serial clock input/output.	Input	P22
SCK31				P36
RxD0	Input	Serial data input for asynchronous serial interface.	Input	P23
TxD0	Output	Serial data output for asynchronous serial interface.	Input	P24
ASCK0	Input	Serial clock input for asynchronous serial interface.	Input	P25
TI00	Input	External count clock input to 16-bit timer (TM0).	Input	P70/TO0
		Capture trigger input to capture register (CR01) of 16-bit timer (TM0).		
TI01		Capture trigger input to capture register (CR00) of 16-bit timer (TM0).		P71
TI50		External count clock input to 8-bit timer (TM50).		P72/TO50
TI51		External count clock input to 8-bit timer (TM51).	P73/TO51	
TO0	Output	16-bit timer (TM0) output.	Input	P70/TO0
TO50		8-bit timer (TM50) output (shared with 8-bit PWM output).	Input	P72/TO50
TO51		8-bit timer (TM51) output (shared with 8-bit PWM output).		P73/TO51
PCL	Output	Clock output (for trimming of main system clock and subsystem clock).	Input	P74
BUZ	Output	Buzzer output.	Input	P75
AD0 to AD7	I/O	Lower address/data bus for extending memory externally.	Input	P40 to P47
A8 to A15	Output	Higher address bus for extending memory externally.	Input	P50 to P57
RD	Output	Strobe signal output for read operation of external memory.	Input	P64
WR		Strobe signal output for write operation of external memory.		P65
WAIT	Input	Inserting wait for accessing external memory.	Input	P66
ASTB	Output	Strobe output which externally latches address information output to port 4 and port 5 to access external memory.	Input	P67

3.2 Non-port Pins (2/2)

Pin Name	I/O	Function	After Reset	Alternate Function
ANI0 to ANI7	Input	A/D converter analog input.	Input	P10 to P17
ADTRG	Input	A/D converter trigger signal input.	Input	P03/INTP3
AVREF	Input	A/D converter reference voltage input.	—	—
AVDD	—	A/D converter analog power supply. Set potential to that of VDD0 or VDD1.	—	—
AVSS	—	A/D converter ground potential. Set potential to that of VSS0 or VSS1.	—	—
RESET	Input	System reset input.	—	—
X1	Input	Connecting crystal resonator for main system clock oscillation.	—	—
X2	—		—	—
XT1	Input	Connecting crystal resonator for subsystem clock oscillation.	—	—
XT2	—		—	—
VDD0	—	Positive power supply for ports.	—	—
VSS0	—	Ground potential of ports.	—	—
VDD1	—	Positive power supply (except ports).	—	—
VSS1	—	Ground potential (except ports).	—	—
IC	—	Internally connected. Connect directly to VSS0 or VSS1.	—	—

★

**3.3 Pin I/O Circuits and Recommended Connection of Unused Pins**

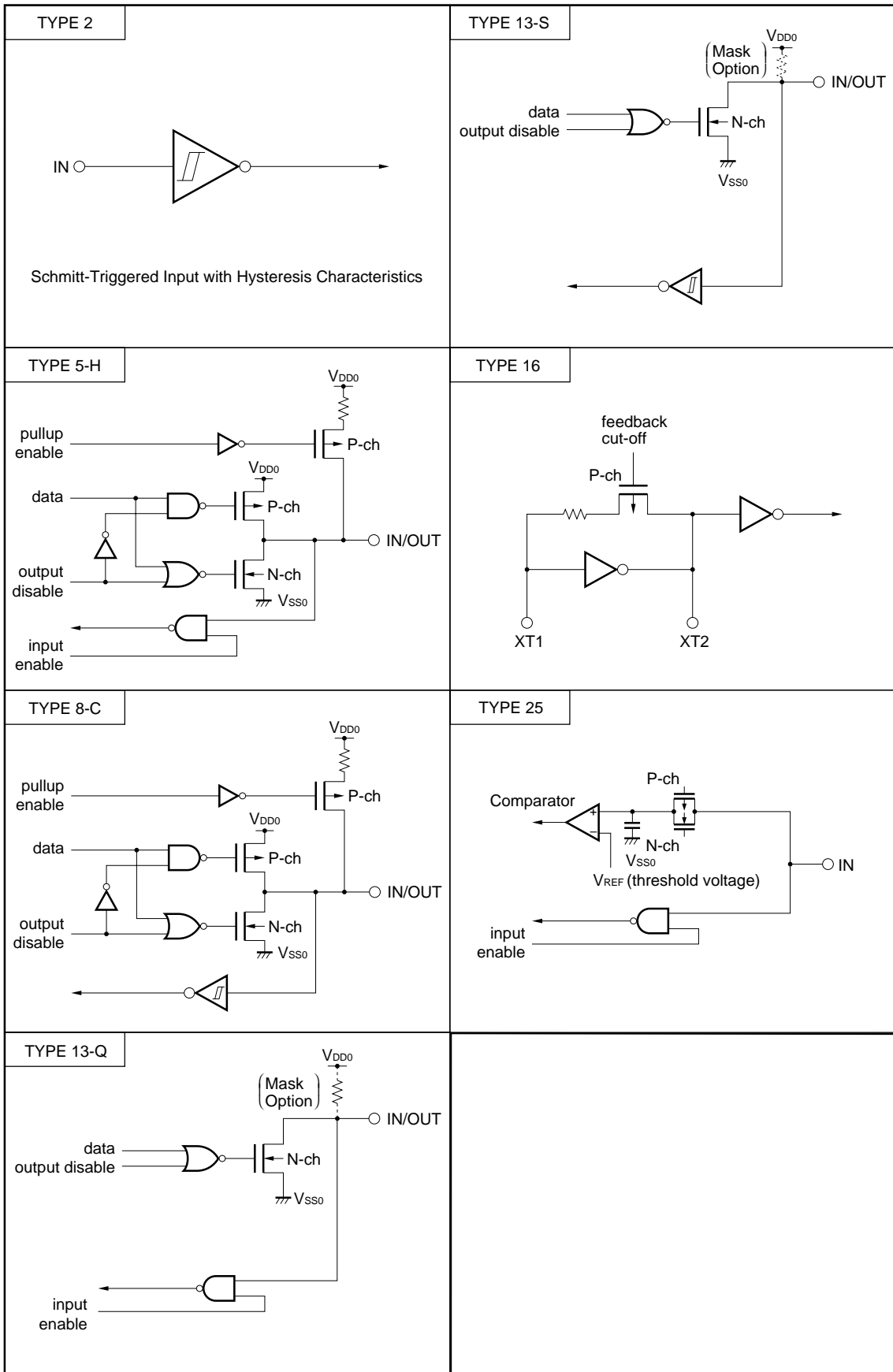
The input/output circuit type of each pin and recommended connection of unused pins are shown in Table 3-1. For the input/output circuit configuration of each type, see Figure 3-1.

**Table 3-1. Input/Output Circuit Type of Each Pin**

Pin Name	Input/output Circuit Type	I/O	Recommended Connection when not Used			
P00/INTP0	8-C	Input	Independently connect to V <sub>SS0</sub> via a resistor .			
P01/INTP1						
P02/INTP2						
P03/INTP3						
P10/ANI0 to P17/ANI7	25	Input	Independently connect to V <sub>DD0</sub> or V <sub>SS0</sub> via a resistor.			
P20/SI30	8-C	Input/output				
P21/SO30	5-H					
P22/SCK30	8-C					
P23/RxD0						
P24/TxD0	5-H					
P25/ASCK0	8-C					
P30, P31	13-Q			Input/output	Independently connect to V <sub>DD0</sub> via a resistor .	
P32, P33	13-S					
P34/SI31	8-C				Independently connect to V <sub>DD0</sub> or V <sub>SS0</sub> via a resistor .	
P35/SO31	5-H					
P36/SCK31	8-C					
P40/AD0 to P47/AD7	5-H	Input/output	Independently connect to V <sub>DD0</sub> via a resistor.			
P50/A8 to P57/A15			Independently connect to V <sub>DD0</sub> or V <sub>SS0</sub> via a resistor.			
P64/RD						
P65/WR						
P66/WAIT						
P67/ASTB						
P70/TI00/TO0				8-C		
P71/TI01						
P72/TI50/TO50						
P73/TI51/TO51						
P74/PCL			5-H			
P75/BUZ						
RESET			2		Input	—
XT1			16			Connect to V <sub>DD0</sub> .
XT2					—	Leave open
AV <sub>DD</sub>	—		Connect to V <sub>DD0</sub> .			
★ AV <sub>REF</sub>			Connect directly to V <sub>SS0</sub> .			
★ AV <sub>SS</sub>						
★ IC			Internally connected. Connect directly to V <sub>SS0</sub> or V <sub>SS1</sub> .			



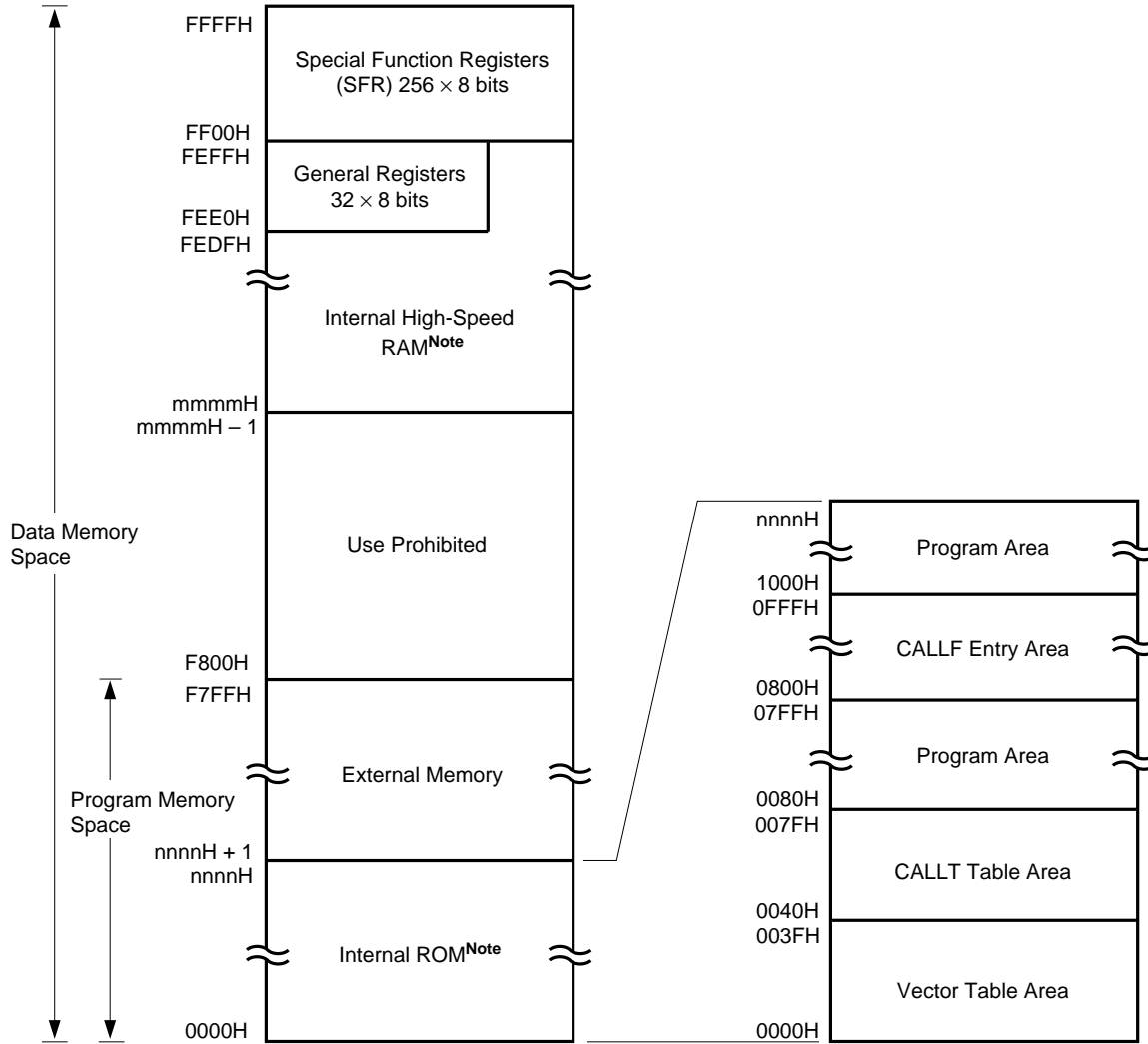
Figure 3-1. Pin Input/Output Circuits



4. MEMORY SPACE

Figure 4-1 shows the memory map of the μPD780031, 780032, 780033, and 780034.

Figure 4-1. Memory Map



**Note** The internal ROM capacity and internal high-speed RAM capacity depend on the products (see the following table).

Part Number	Internal ROM Last Address nnnnH	Internal High-Speed RAM Start Address mmmmH
μPD780031	1FFFH	FD00H
μPD780032	3FFFH	
μPD780033	5FFFH	FB00H
μPD780034	7FFFH	

**5. PERIPHERAL HARDWARE FUNCTION FEATURES**

**5.1 Ports**

The following 3 types of I/O ports are available.

- CMOS input (Port 1) : 8
  - CMOS input/output (Port 0, Port 2 to Port 7) : 39
  - N-channel open-drain input/output (P30 to P33) : 4
- 
- Total : 51

**Table 5-1. Port Functions**

Name	Pin Name	Function
Port 0	P00 to P03	Input/output port pins. Input/output specifiable bit-wise. When used as input port pins, on-chip pull-up resistor can be used by software.
Port 1	P10 to P17	Dedicated input port pins.
Port 2	P20 to P25	Input/output port pins. Input/output specifiable bit-wise. When used as input port pins, on-chip pull-up resistor can be used by software.
Port 3	P30 to P33	N-channel open-drain input/output port pins. Input/output specifiable bit-wise. On-chip pull-up resistor can be used by mask option. LED can be driven directly.
	P34 to P36	Input/output port pins. Input/output specifiable bit-wise. When used as input port pins, on-chip pull-up resistor can be used by software.
Port 4	P40 to P47	Input/output port pins. Input/output specifiable bit-wise. When used as input port pins, on-chip pull-up resistor can be used by software. Test input flag (KRIF) is set to 1 by falling edge detection.
Port 5	P50 to P57	Input/output port pins. Input/output specifiable bit-wise. When used as input port pins, on-chip pull-up resistor can be used by software. LED can be driven directly.
Port 6	P64 to P67	Input/output port pins. Input/output specifiable bit-wise. When used as input port pins, on-chip pull-up resistor can be used by software.
Port 7	P70 to P75	Input/output port pins. Input/output specifiable bit-wise. When used as input port pins, on-chip pull-up resistor can be used by software.

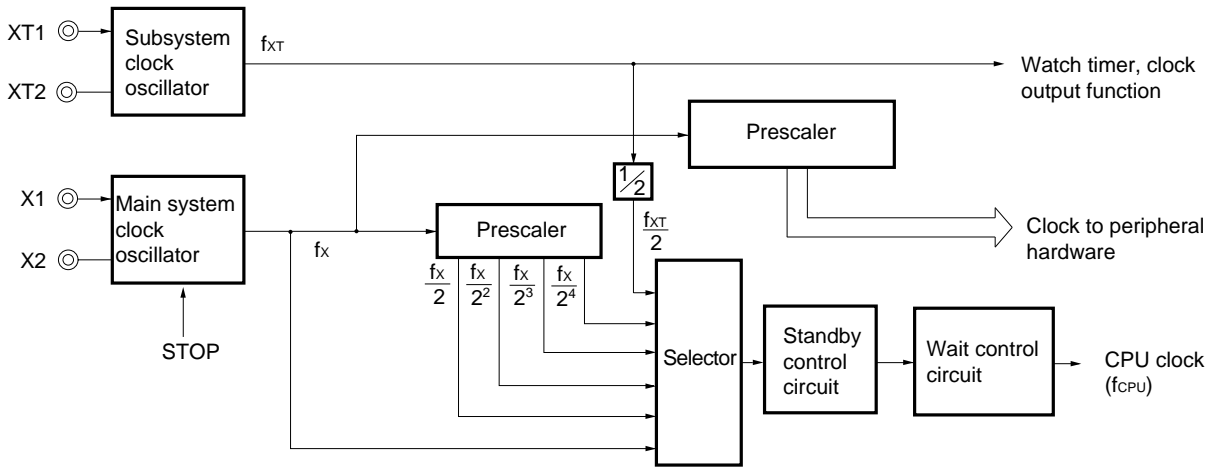
**5.2 Clock Generator**

A system clock generator is incorporated.

The minimum instruction execution time can also be changed.

- 0.24  $\mu$ s/0.48  $\mu$ s/0.95  $\mu$ s/1.91  $\mu$ s/3.81  $\mu$ s (main system clock: at 8.38-MHz operation)
- 122  $\mu$ s (subsystem clock: at 32.768-kHz operation)

**Figure 5-1. Block Diagram of Clock Generator**



**5.3 Timer/Counter**

Five timer/counter channels are incorporated.

- 16-bit timer/event counter : 1 channel
- 8-bit timer/event counter : 2 channels
- Watch timer : 1 channel
- Watchdog timer : 1 channel

**Table 5-2. Operations of Timer/Event Counter**

	16-Bit Timer/ Event Counter TM0	8-Bit Timer/ Event Counter TM50, TM51	Watch Timer	Watchdog Timer
Operation mode				
Interval timer	2 channels <sup>Note 1</sup>	2 channels	1 channel <sup>Note 2</sup>	1 channel <sup>Note 3</sup>
External event counter	1 channel	2 channels	—	—
Function				
Timer output	1 output	2 outputs	—	—
PWM output	—	2 outputs	—	—
Pulse width measurement	2 inputs	—	—	—
Square wave output	1 output	2 outputs	—	—
One-shot pulse output	1 output	—	—	—
Interrupt source	2	2	2	1

- Notes**
1. When capture/compare registers 00, 01 (CR00, CR01) are both specified as compare registers
  2. The watch timer can perform both watch timer and interval timer functions at the same time.
  3. The watchdog timer has the watchdog timer and interval timer functions. However, use the watchdog timer by selecting either the watchdog timer function or the interval timer function.

Figure 5-2. Block Diagram of 16-bit Timer/Event Counter TM0

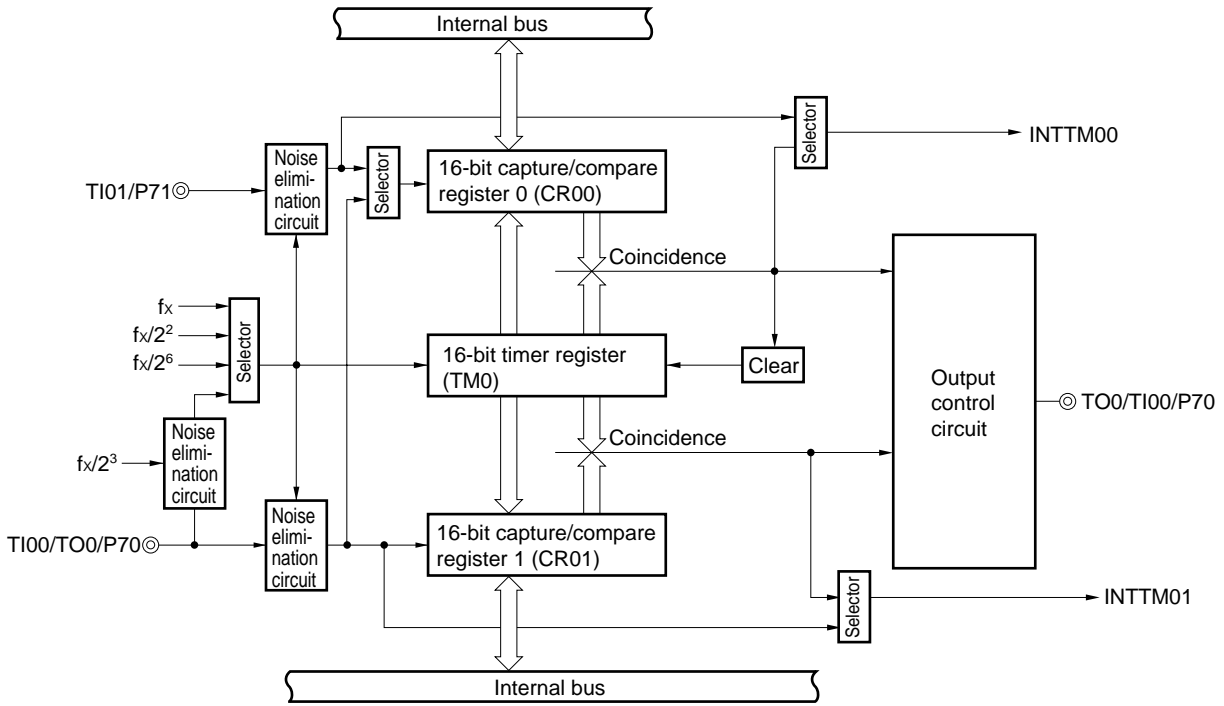


Figure 5-3. Block Diagram of 8-bit Timer/Event Counter TM50

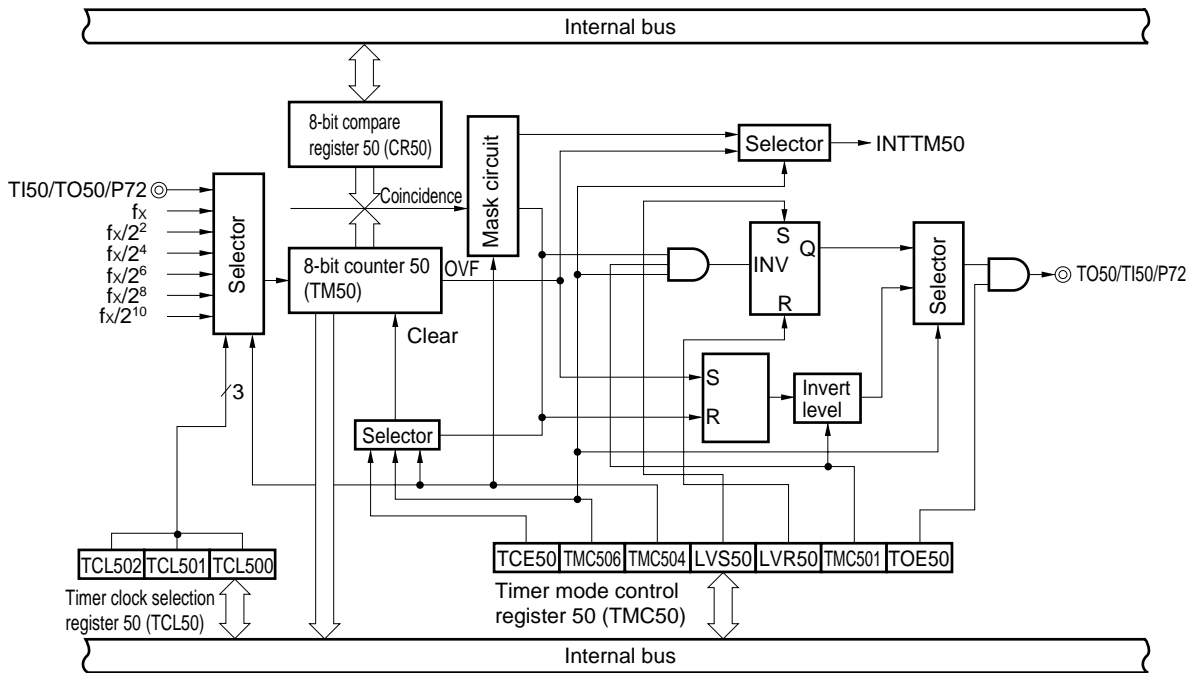


Figure 5-4. Block Diagram of 8-bit Timer/Event Counter TM51

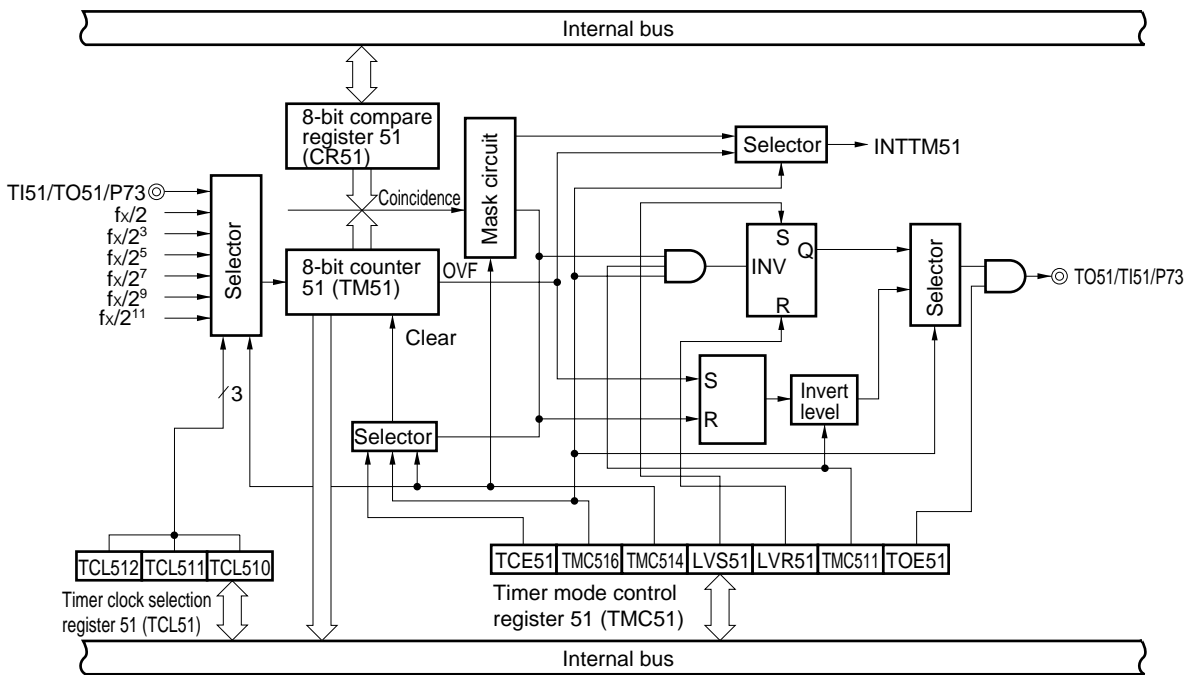
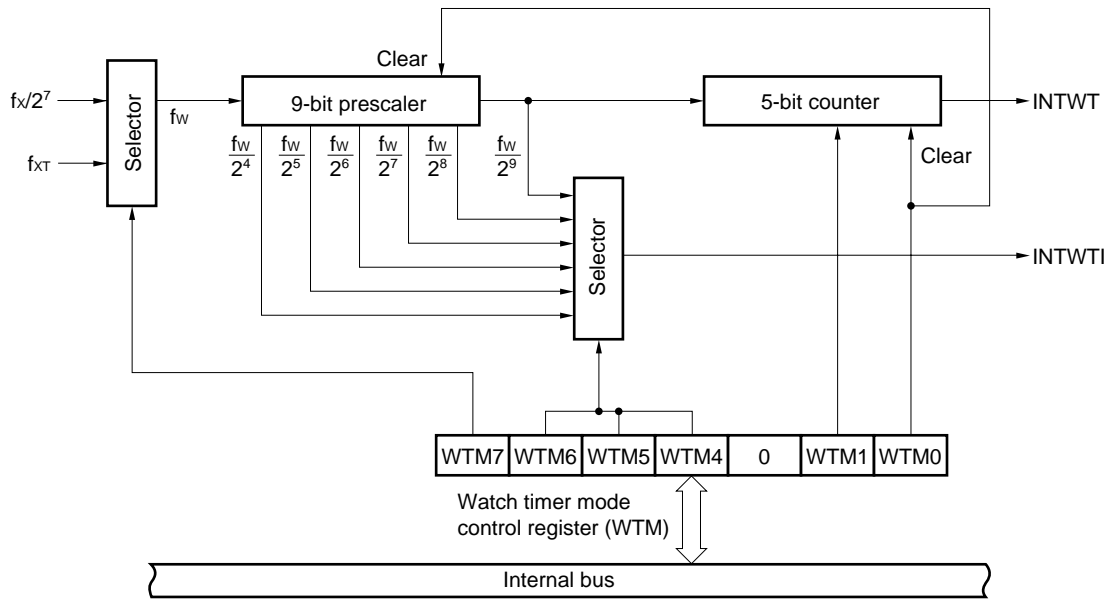
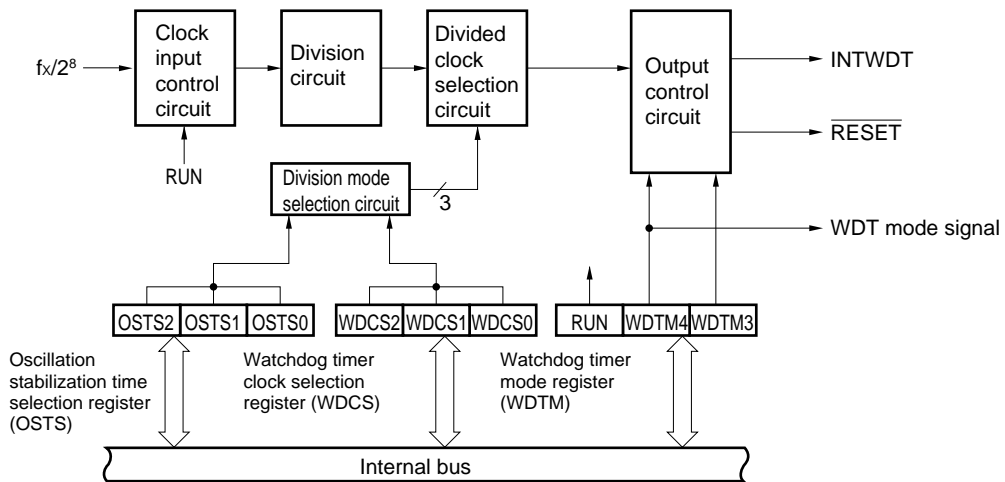


Figure 5-5. Block Diagram of Watch Timer



★

Figure 5-6. Block Diagram of Watchdog Timer





**5.4 Clock Output/Buzzer Output Control Circuit**

A clock output/buzzer output control circuit (CKU) is incorporated.

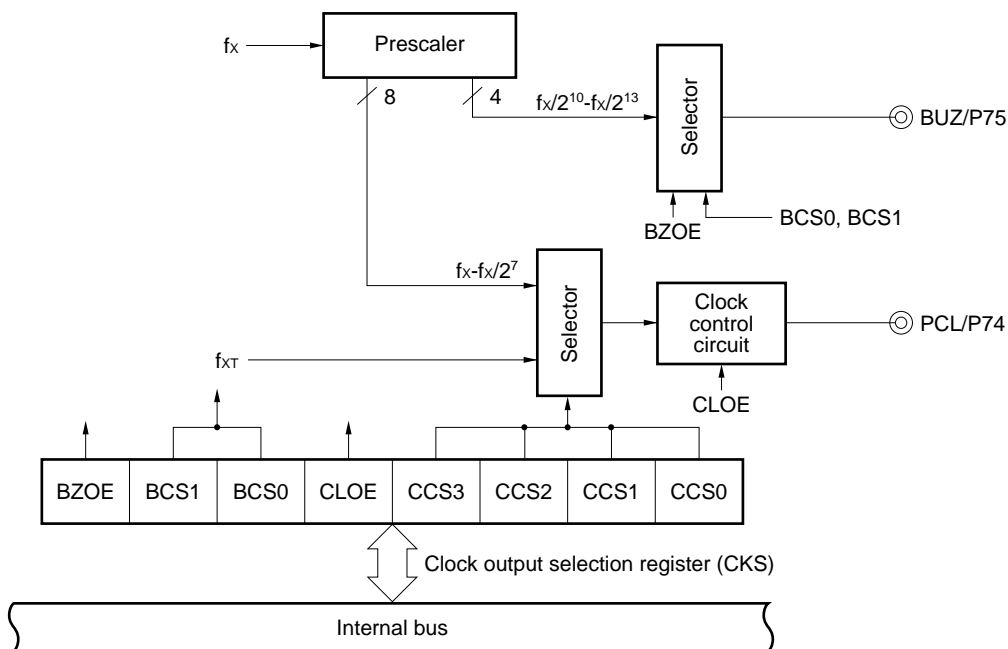
Clocks with the following frequencies can be output as a clock output.

- 65.5 kHz/131 kHz/262 kHz/524 kHz/1.05 MHz/2.10 MHz/4.19 MHz/8.38 MHz (main system clock: at 8.38-MHz operation)
- 32.768 kHz (subsystem clock: at 32.768-kHz operation)

Clocks with the following frequencies can be output as a buzzer output.

- 1.02 kHz/2.05 kHz/4.10 kHz/8.19 kHz (main system clock: at 8.38-MHz operation)

★ **Figure 5-7. Block Diagram of Clock Output/Buzzer Output Control Circuit CKU**



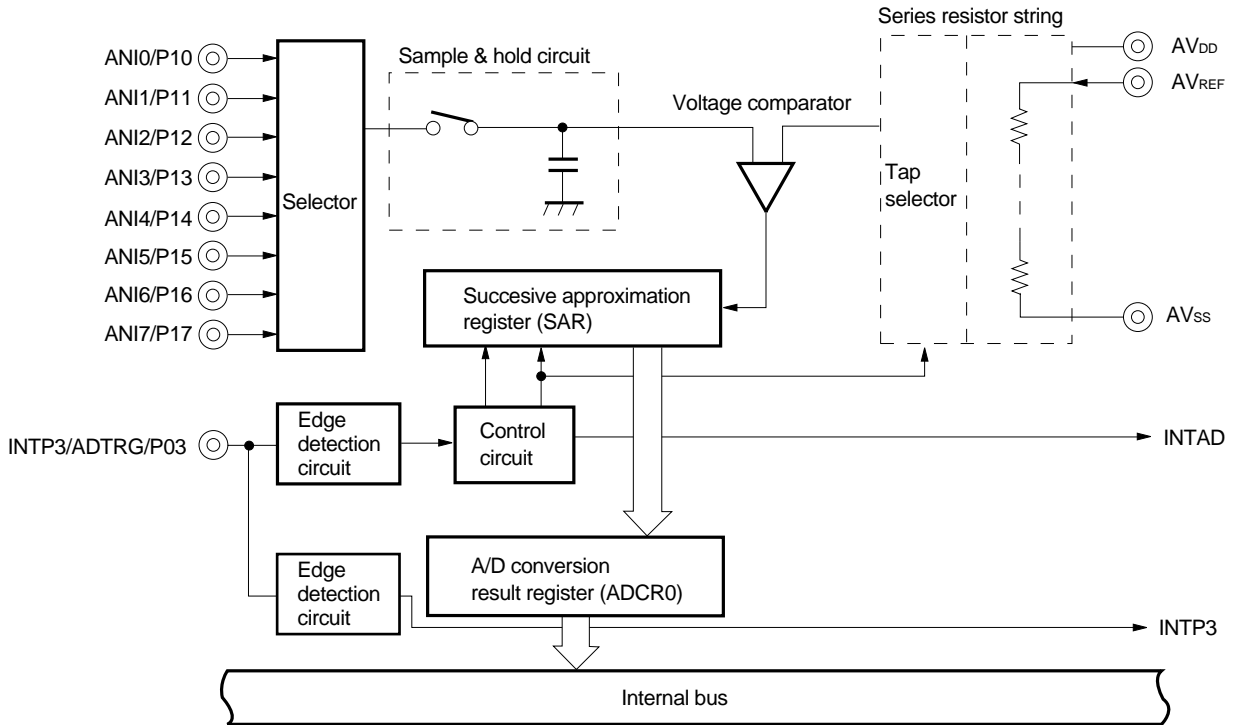
**5.5 A/D Converter**

An A/D converter of 8-bit resolution × 8 channels is incorporated.

The following two types of the A/D conversion operation start-up methods are available.

- Hardware start
- Software start

**Figure 5-8. Block Diagram of A/D Converter**



**5.6 Serial Interface**

Three channels of the serial interface are incorporated.

- Serial interface UART0 : 1 channel
- Serial interface SIO3n (n = 0, 1): 2 channels

**(1) Serial interface UART0**

The serial interface UART0 has two modes, asynchronous serial interface (UART) mode and infrared data transfer mode.

• **Asynchronous serial interface (UART) mode**

This mode enables full-duplex operation wherein one byte of data is transmitted and received after the start bit.

The on-chip dedicated UART baud rate generator enables communication using a wide range of selectable baud rates. In addition, a baud rate can be also defined by dividing the clock input to the ASCK0 pin.

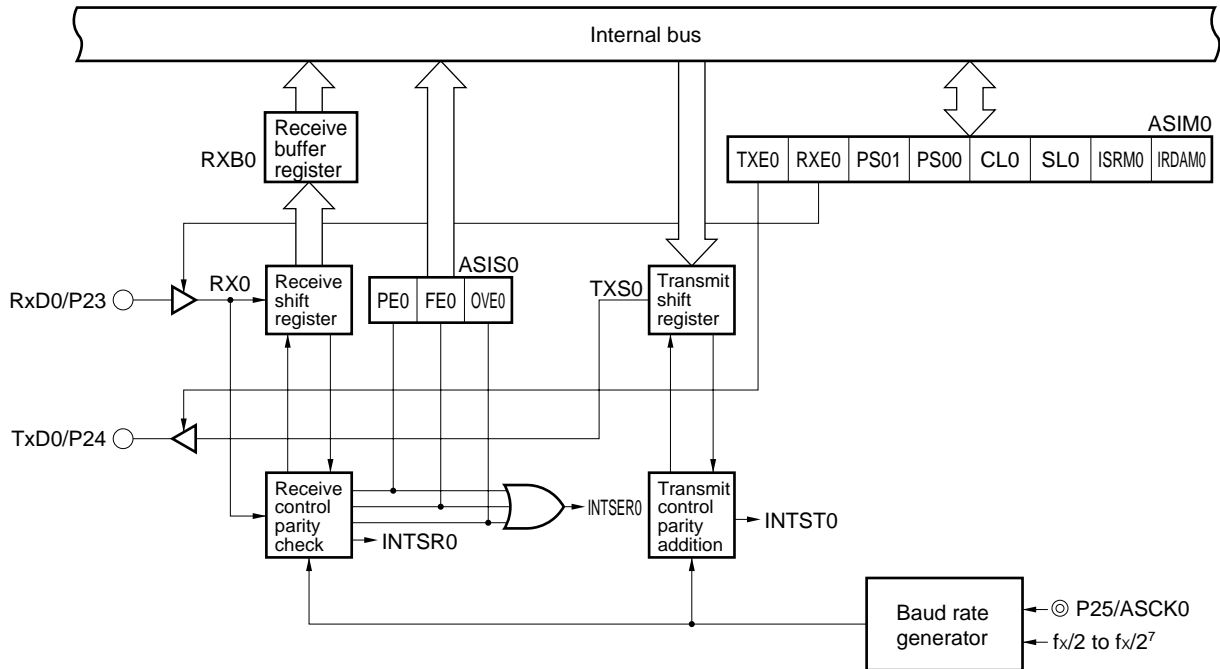
The dedicated UART baud rate generator can also be used to generate a MIDI-standard baud rate (31.25 kbps).

★ • **Infrared data transfer mode**

This mode enables pulse output and pulse reception in data format.

This mode can be used for office equipment applications such as personal computers.

**Figure 5-9. Block Diagram of Serial Interface UART0**



**(2) Serial interface SIO3n (n = 0, 1)**

The serial interface SIO3n has the 3-wire serial I/O mode.

- **3-wire serial I/O mode (fixed as MSB first)**

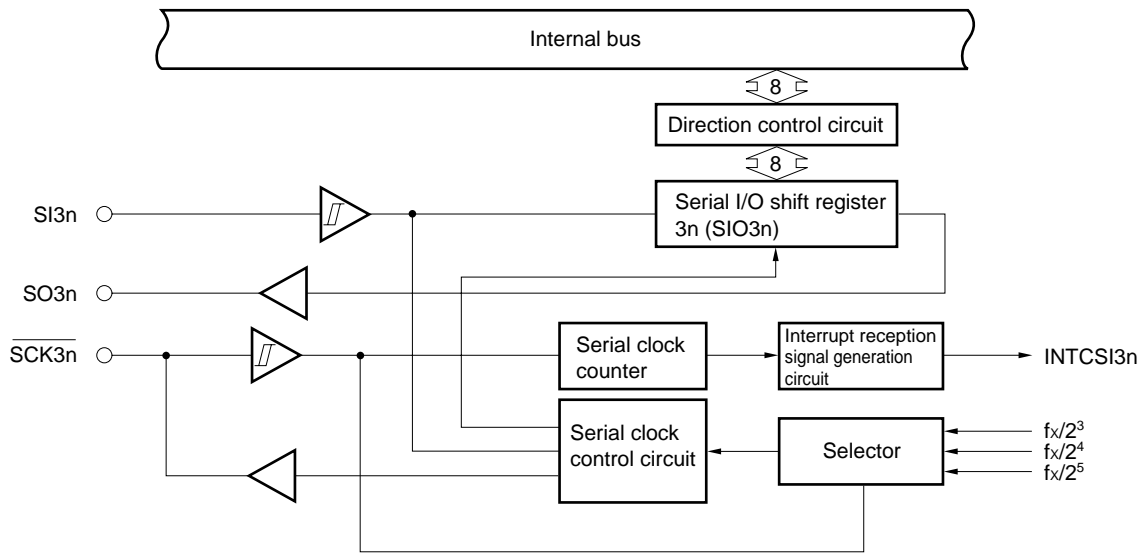
This is an 8-bit data transfer mode using three lines: a serial clock line ( $\overline{\text{SCK3n}}$ ), serial output line (SO3n), and serial input line (SI3n).

Since simultaneous transmit and receive operations are enabled in the 3-wire serial I/O mode, the processing time for data transfer is reduced.

The first bit in 8-bit data in the serial transfer is fixed as MSB.

The 3-wire serial I/O mode is useful for connection to a peripheral I/O device that includes a clocked serial interface, a display controller, etc.

**Figure 5-10. Block Diagram of Serial Interface SIO3n**



**Remark** n = 0, 1

**6. INTERRUPT FUNCTIONS**

There are 20 interrupt functions of three different types, as shown below.

- Non-maskable: 1
- Maskable : 18
- Software : 1

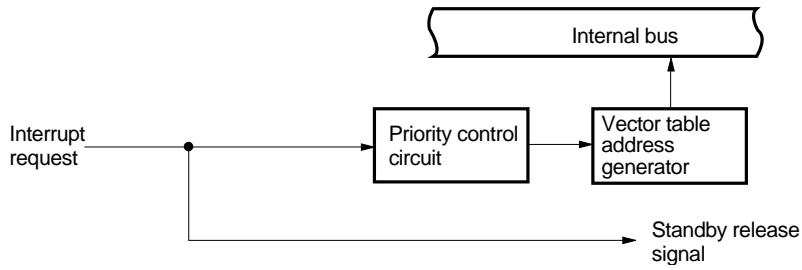
**Table 6-1. Interrupt Source List**

Type of Interrupt	Default Priority <sup>Note 1</sup>	Interrupt Source		Internal/External	Vector Table Address	Basic Configuration Type <sup>Note 2</sup>		
		Name	Trigger					
Non-maskable	—	INTWDT	Watchdog timer overflow (watchdog timer mode 1 selected)	Internal	0004H	(A)		
Maskable	0	INTWDT	Watchdog timer overflow (interval timer mode selected)			External	0006H 0008H 000AH 000CH	(B)
	1	INTP0	Pin input edge detection	Internal	000EH 0010H 0012H 0014H 0016H 001AH 001CH 001EH 0020H 0022H 0024H 0026H			(C)
	2	INTP1						
	3	INTP2						
	4	INTP3						
	5	INTSER0	Generation of serial interface UART0 reception error	Internal	000EH 0010H 0012H 0014H 0016H 001AH 001CH 001EH 0020H 0022H 0024H 0026H	(B)		
	6	INTSR0	End of serial interface UART0 reception					
	7	INTST0	End of serial interface UART0 transmission					
	8	INTCSI30	End of serial interface SIO3 (SIO30) transfer					
	9	INTCSI31	End of serial interface SIO3 (SIO31) transfer					
	10	INTWTI	Reference time interval signal from watch timer					
	11	INTTM00	Generation of coincidence signal of 16-bit timer register and capture/compare register 00 (CR00) (when CR00 specified as compare register)					
	12	INTTM01	Generation of coincidence signal of 16-bit timer register and capture/compare register 01 (CR01) (when CR01 specified as compare register)					
	13	INTTM50	Generation of coincidence signal of 8-bit timer/event counter 50					
	14	INTTM51	Generation of coincidence signal of 8-bit timer/event counter 51					
	15	INTAD0	End of conversion by A/D converter					
	16	INTWT	Watch timer overflow					
17	INTKR	Falling edge detection of port 4	External	0028H	(D)			
Software	—	BRK	BRK instruction execution	—	003EH	(E)		

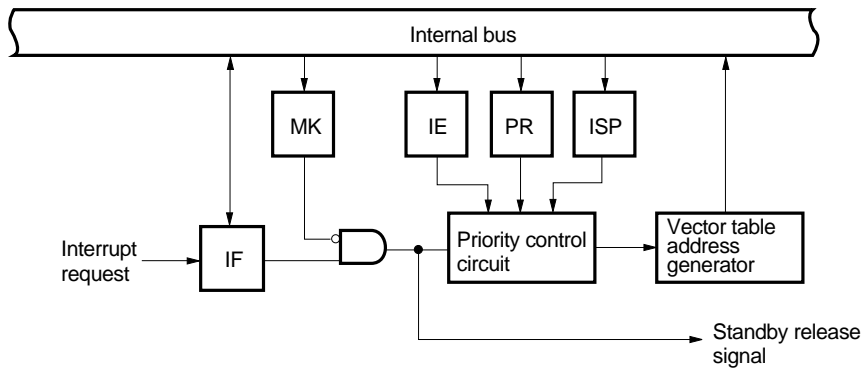
- Notes**
1. The default priority is a priority order when two or more maskable interrupt requests are generated simultaneously. 0 is the highest order and 17, the lowest.
  2. Basic configuration types (A) to (E) correspond to (A) to (E) in Figure 6-1, respectively.

Figure 6-1. Basic Configuration of Interrupt Function (1/2)

(A) Internal non-maskable interrupt



(B) Internal maskable interrupt



(C) External maskable interrupt (INTP0 to INTP3)

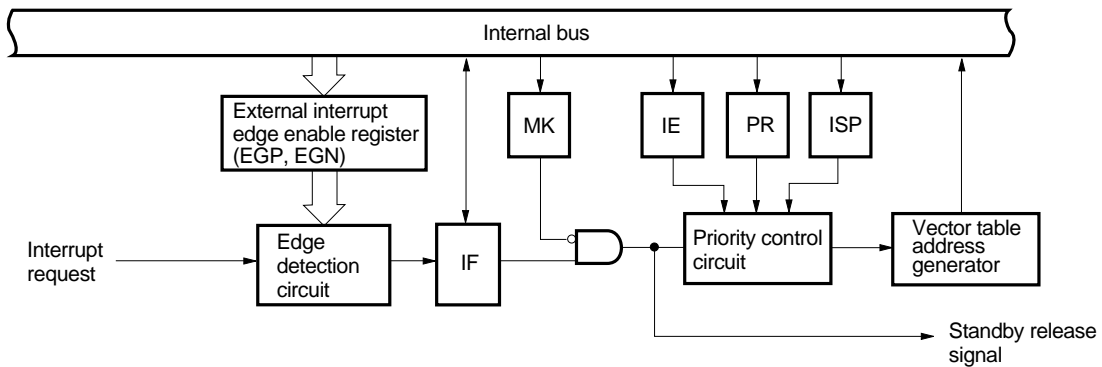
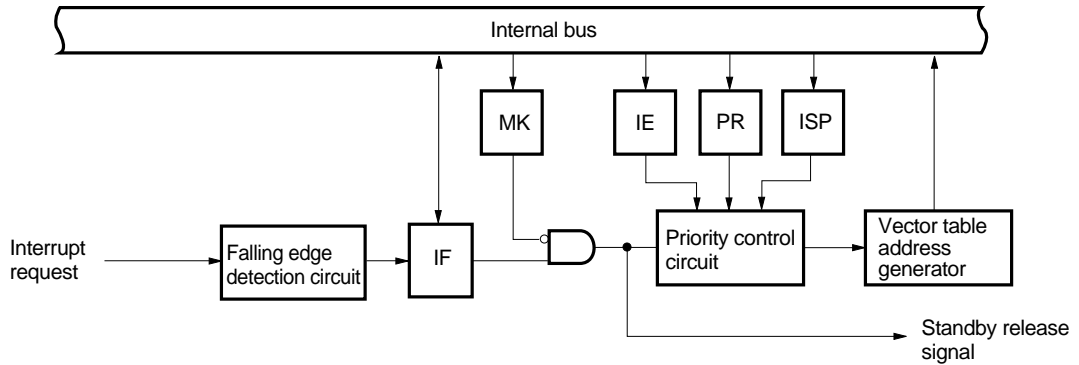
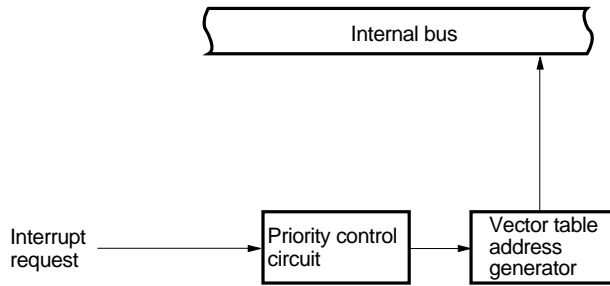


Figure 6-1. Basic Configuration of Interrupt Function (2/2)

(D) External maskable interrupt (INTKR)



(E) Software interrupt



- IF : Interrupt request flag
- IE : Interrupt enable flag
- ISP : In-service priority flag
- MK : Interrupt mask flag
- PR : Priority specification flag

## 7. EXTERNAL DEVICE EXPANSION FUNCTIONS

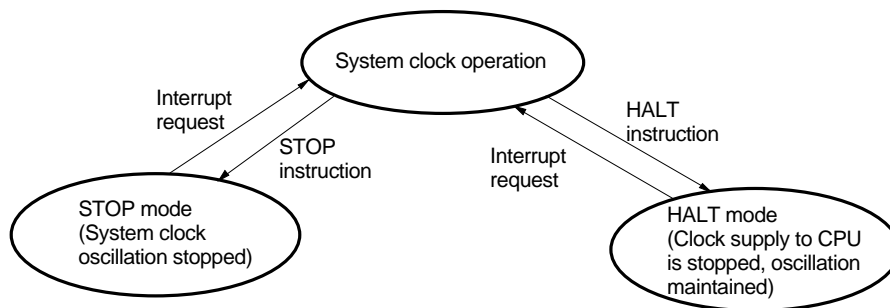
The external device expansion functions connect external devices to areas other than the internal ROM, RAM and SFR. Ports 4 to 6 are used for external device connection.

## 8. STANDBY FUNCTIONS

There are the following two standby functions to reduce the consumption current.

- HALT mode: The CPU operating clock is stopped. The average consumption current can be reduced by intermittent operation in combination with the normal operating mode.
- STOP mode: The system clock oscillation is stopped. The whole operation by the system clock is stopped, so that the system operates with ultra-low power consumption.

**Figure 8-1. Standby Function**



## 9. RESET FUNCTION

There are the following two reset methods.

- External reset by  $\overline{\text{RESET}}$  pin
- Internal reset by watchdog timer runaway time detection



10. INSTRUCTION SET

(1) 8-bit instructions

MOV, XCH, ADD, ADDC, SUB, SUBC, AND, OR, XOR, CMP, MULU, DIVUW, INC, DEC, ROR, ROL, RORC, ROLC, ROR4, ROL4, PUSH, POP, DBNZ

Second operand First operand	#byte	A	r <sup>Note</sup>	sfr	saddr	!addr16	PSW	[DE]	[HL]	[HL + byte] [HL + B] [HL + C]	\$addr16	1	None
A	ADD ADDC SUB SUBC AND OR XOR CMP		MOV XCH ADD ADDC SUB SUBC AND OR XOR CMP	MOV XCH	MOV XCH ADD ADDC SUB SUBC AND OR XOR CMP	MOV XCH ADD ADDC SUB SUBC AND OR XOR CMP	MOV	MOV XCH	MOV XCH ADD ADDC SUB SUBC AND OR XOR CMP			ROR ROL RORC ROLC	
r	MOV	MOV ADD ADDC SUB SUBC AND OR XOR CMP											INC DEC
B, C											DBNZ		
sfr	MOV	MOV											
saddr	MOV ADD ADDC SUB SUBC AND OR XOR CMP	MOV									DBNZ		INC DEC
!addr16		MOV											
PSW	MOV	MOV											PUSH POP
[DE]		MOV											
[HL]		MOV											ROR4 ROL4
[HL + byte] [HL + B] [HL + C]		MOV											
X													MULU
C													DIVUW

**Note** Except r = A

**(2) 16-bit instructions**

MOVW, XCHW, ADDW, SUBW, CMPW, PUSH, POP, INCW, DECW

Second operand First operand	#word	AX	rp <sup>Note</sup>	sfrp	saddrp	!addr16	SP	None
AX	ADDW SUBW CMPW		MOVW XCHW	MOVW	MOVW	MOVW	MOVW	
rp	MOVW	MOVW <sup>Note</sup>						INCW, DECW PUSH, POP
sfrp	MOVW	MOVW						
saddrp	MOVW	MOVW						
!addr16		MOVW						
SP	MOVW	MOVW						

**Note** Only when rp = BC, DE or HL

**(3) Bit manipulation instructions**

MOV1, AND1, OR1, XOR1, SET1, CLR1, NOT1, BT, BF, BTCLR

Second operand First operand	A.bit	sfr.bit	saddr.bit	PSW.bit	[HL].bit	CY	\$addr16	None
A.bit						MOV1	BT BF BTCLR	SET1 CLR1
sfr.bit						MOV1	BT BF BTCLR	SET1 CLR1
saddr.bit						MOV1	BT BF BTCLR	SET1 CLR1
PSW.bit						MOV1	BT BF BTCLR	SET1 CLR1
[HL].bit						MOV1	BT BF BTCLR	SET1 CLR1
CY	MOV1 AND1 OR1 XOR1	MOV1 AND1 OR1 XOR1	MOV1 AND1 OR1 XOR1	MOV1 AND1 OR1 XOR1	MOV1 AND1 OR1 XOR1			SET1 CLR1 NOT1

**(4) Call instruction/branch instructions**

CALL, CALLF, CALLT, BR, BC, BNC, BZ, BNZ, BT, BF, BTCLR, DBNZ

Second operand First operand	AX	!addr16	!addr11	[addr5]	\$addr16
Basic instruction	BR	CALL BR	CALLF	CALLT	BR, BC, BNC BZ, BNZ
Compound instruction					BT, BF BTCLR DBNZ

**(5) Other instructions**

ADJBA, ADJBS, BRK, RET, RETI, RETB, SEL, NOP, EI, DI, HALT, STOP

★ 11. ELECTRICAL SPECIFICATIONS

**Absolute Maximum Ratings (T<sub>A</sub> = 25°C)**

Parameter	Symbol	Test Conditions		Ratings	Unit
Supply voltage	V <sub>DD</sub>			-0.3 to +6.5	V
	AV <sub>DD</sub>			-0.3 to V <sub>DD</sub> + 0.3	V
	AV <sub>REF</sub>			-0.3 to V <sub>DD</sub> + 0.3	V
	AV <sub>SS</sub>			-0.3 to +0.3	V
Input voltage	V <sub>I1</sub>	P00 to P03, P10 to P17, P20 to P25, P34 to P36, P40 to P47, P50 to P57, P64 to P67, P70 to P75, X1, X2, XT1, XT2, $\overline{\text{RESET}}$		-0.3 to V <sub>DD</sub> + 0.3	V
	V <sub>I2</sub>	P30 to P33	N-ch open-drain	-0.3 to V <sub>DD</sub> + 0.3	V
Output voltage	V <sub>O</sub>			-0.3 to V <sub>DD</sub> + 0.3	V
Analog input voltage	V <sub>AN</sub>	P10 to P17	Analog input pin	AV <sub>SS</sub> - 0.3 to AV <sub>REF0</sub> + 0.3 and -0.3 to V <sub>DD</sub> + 0.3	V
High-level output current	I <sub>OH</sub>	Per pin		-10	mA
		Total for P00 to P03, P40 to P47, P50 to P57, P64 to P67, P70 to P75		-15	mA
		Total for P20 to P25, P30 to P36		-15	mA
Low-level output current	I <sub>OL</sub> <sup>Note</sup>	Per pin for P00 to P03, P20 to P25, P34 to P36, P40 to P47, P64 to P67, P70 to P75	Peak value	20	mA
			Effective value	10	mA
		Per pin for P30 to P33, P50 to P57	Peak value	30	mA
			Effective value	15	mA
		Total for P00 to P03, P40 to P47, P64 to P67, P70 to P75	Peak value	50	mA
			Effective value	20	mA
		Total for P20 to P25	Peak value	20	mA
			Effective value	10	mA
		Total for P30 to P36	Peak value	100	mA
			Effective value	70	mA
		Total for P50 to P57	Peak value	100	mA
			Effective value	70	mA
Operating ambient temperature	T <sub>A</sub>			Peak value	-40 to +85 °C
Storage temperature	T <sub>stg</sub>			Effective value	-65 to +150 °C

**Note** The effective value should be calculated as follows: [Effective value] = [Peak value] ×  $\sqrt{\text{duty}}$

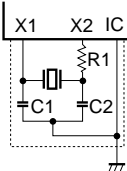
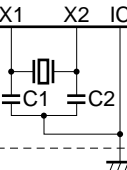
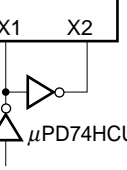
**Caution** Product quality may suffer if the absolute maximum rating is exceeded even momentarily for any parameter. That is, the absolute maximum ratings are rated values at which the product is on the verge of suffering physical damage, and therefore the product must be used under conditions that ensure that the absolute maximum ratings are not exceeded.

**Capacitance ( $T_A = 25^\circ\text{C}$ ,  $V_{DD} = V_{SS} = 0\text{ V}$ )**

Parameter	Symbol	Test Conditions		MIN.	TYP.	MAX.	Unit
Input capacitance	$C_{IN}$	f = 1 MHz Unmeasured pins returned to 0 V.				15	pF
I/O capacitance	$C_{IO}$	f = 1 MHz Unmeasured pins returned to 0 V.	P00 to P03, P20 to P25, P34 to P36, P40 to P47, P50 to P57, P64 to P67, P70 to P75			15	pF
			P30 to P33			20	pF

**Remark** Unless specified otherwise, alternate-function pin characteristics are the same as port pin characteristics.

**Main System Clock Oscillation Circuit Characteristics ( $T_A = -40$  to  $85^\circ\text{C}$ ,  $V_{DD} = 1.8$  to  $5.5\text{ V}$ )**

Resonator	Recommended Circuit	Parameter	Test Conditions	MIN.	TYP.	MAX.	Unit
Ceramic resonator		Oscillation frequency ( $f_x$ ) <sup>Note 1</sup>	$V_{DD} = 4.5$ to $5.5\text{ V}$	1.0		8.38	MHz
		Oscillation stabilization time <sup>Note 2</sup>	After $V_{DD}$ reaches oscillation voltage range MIN.			5.0	
Crystal resonator		Oscillator frequency ( $f_x$ ) <sup>Note 1</sup>	$V_{DD} = 4.5$ to $5.5\text{ V}$	1.0		8.38	MHz
		Oscillation stabilization time <sup>Note 2</sup>	$V_{DD} = 4.5$ to $5.5\text{ V}$			5.0	
External clock		X1 input frequency ( $f_x$ ) <sup>Note 1</sup>	$V_{DD} = 4.5$ to $5.5\text{ V}$	1.0		8.38	MHz
		X1 input high-/low-level width ( $t_{XH}$ , $t_{XL}$ )	$V_{DD} = 4.5$ to $5.5\text{ V}$	50		500	

- Notes**
1. Indicates only oscillation circuit characteristics. Refer to AC Characteristics for instruction execution time.
  2. Time required to stabilize oscillation after reset or STOP mode release.

**Cautions**

1. When using the main system clock oscillator, wiring in the area enclosed with the broken line in the above figures should be carried out as follows to avoid an adverse effect from wiring capacitance.

- Keep the wiring length as short as possible.
- Do not cross the wiring with the other signal lines.
- Do not route the wiring near a signal line through which a high fluctuating current flows.
- Always keep the ground point of the oscillator to the same potential as  $V_{SS1}$ .
- Do not ground the capacitor to a ground pattern in which a high current flows.
- Do not fetch signals from the oscillator.

2. When the main system clock is stopped and the system is operated by the subsystem clock, the subsystem clock should be switched again to the main system clock after the oscillation stabilization time is secured by the program.

**Subsystem Clock Oscillation Circuit Characteristics (T<sub>A</sub> = -40 to +85°C, V<sub>DD</sub> = 1.8 to 5.5 V)**

Resonator	Recommended Circuit	Parameter	Test Conditions	MIN.	TYP.	MAX.	Unit
Crystal resonator		Oscillation frequency (f <sub>XT</sub> ) <sup>Note 1</sup>		32	32.768	35	kHz
		Oscillation stabilization time <sup>Note 2</sup>	V <sub>DD</sub> = 4.5 to 5.5 V		1.2	2	s
External clock		XT1 input frequency (f <sub>XT</sub> ) <sup>Note 1</sup>		32		100	kHz
		XT1 input high-/low-level width (t <sub>XTH</sub> , t <sub>XTL</sub> )		5		15	μs

- Notes**
1. Indicates only oscillation circuit characteristics. Refer to AC Characteristics for instruction execution time.
  2. Time required to stabilize oscillation after V<sub>DD</sub> reaches oscillation voltage MIN.

**Cautions**

1. When using the subsystem clock oscillator, wiring in the area enclosed with the broken line in the above figures should be carried out as follows to avoid an adverse effect from wiring capacitance.

- Keep the wiring length as short as possible.
- Do not cross the wiring with the other signal lines.
- Do not route the wiring near a signal line through which a high fluctuating current flows.
- Always keep the ground point of the oscillator to the same potential as V<sub>SS1</sub>.
- Do not ground the capacitor to a ground pattern in which a high current flows.
- Do not fetch signals from the oscillator.

2. The subsystem clock oscillator is a low-amplitude circuit in order to achieve a low consumption current, and is more prone to malfunction due to noise than the main system clock oscillator. Particular care is therefore required with the wiring method when the subsystem clock is used.

DC Characteristics (T<sub>A</sub> = -40 to +85°C, V<sub>DD</sub> = 1.8 to 5.5 V)

Parameter	Symbol	Test Conditions	MIN.	TYP.	MAX.	Unit
Input voltage, high	V <sub>IH1</sub>	P10 to P17, P21, P24, P35, P40 to P47, P50 to P57, P64 to P67, P74, P75	V <sub>DD</sub> = 2.7 to 5.5 V	0.7 V <sub>DD</sub>	V <sub>DD</sub>	V
				0.8 V <sub>DD</sub>	V <sub>DD</sub>	V
	V <sub>IH2</sub>	P00 to P03, P20, P22, P23, P25, P34, P36, P70 to P73, RESET <sub>̄</sub>	V <sub>DD</sub> = 2.7 to 5.5 V	0.8 V <sub>DD</sub>	V <sub>DD</sub>	V
				0.85 V <sub>DD</sub>	V <sub>DD</sub>	V
	V <sub>IH3</sub>	P30-P33 (N-ch open-drain)	V <sub>DD</sub> = 2.7 to 5.5 V	0.7 V <sub>DD</sub>	5.5	V
				0.8 V <sub>DD</sub>	5.5	V
	V <sub>IH4</sub>	X1, X2	V <sub>DD</sub> = 2.7 to 5.5 V	V <sub>DD</sub> -0.5	V <sub>DD</sub>	V
				V <sub>DD</sub> -0.2	V <sub>DD</sub>	V
	V <sub>IH5</sub>	XT1, XT2	V <sub>DD</sub> = 4.5 to 5.5 V	0.8 V <sub>DD</sub>	V <sub>DD</sub>	V
				0.9 V <sub>DD</sub>	V <sub>DD</sub>	V
Input voltage, low	V <sub>IL1</sub>	P10 to P17, P21, P24, P35, P40 to P47, P50 to P57, P64 to P67, P74, P75	V <sub>DD</sub> = 2.7 to 5.5 V	0	0.3 V <sub>DD</sub>	V
				0	0.2 V <sub>DD</sub>	V
	V <sub>IL2</sub>	P00 to P03, P20, P22, P23, P25, P34, P36, P70 to P73, RESET <sub>̄</sub>	V <sub>DD</sub> = 2.7 to 5.5 V	0	0.2 V <sub>DD</sub>	V
				0	0.15 V <sub>DD</sub>	V
	V <sub>IL3</sub>	P30 to P33	4.5 V ≤ V <sub>DD</sub> ≤ 5.5 V	0	0.3 V <sub>DD</sub>	V
			2.7 V ≤ V <sub>DD</sub> < 4.5 V	0	0.2 V <sub>DD</sub>	V
			1.8 V ≤ V <sub>DD</sub> < 2.7 V	0	0.1 V <sub>DD</sub>	V
	V <sub>IL4</sub>	X1, X2	V <sub>DD</sub> = 2.7 to 5.5 V	0	0.4	V
				0	0.2	V
	V <sub>IL5</sub>	XT1, XT2	V <sub>DD</sub> = 4.5 to 5.5 V	0	0.2 V <sub>DD</sub>	V
			0	0.1 V <sub>DD</sub>	V	
Output voltage, high	V <sub>OH</sub>	V <sub>DD</sub> = 4.5 to 5.5 V, I <sub>OH</sub> = -1mA	V <sub>DD</sub> -1.0		V <sub>DD</sub>	V
		I <sub>OH</sub> = -100 μA	V <sub>DD</sub> -0.5		V <sub>DD</sub>	V
Output voltage, low	V <sub>OL1</sub>	P30 to P33, P50 to P57	V <sub>DD</sub> = 4.5 to 5.5 V, I <sub>OL</sub> = 15 mA	0.4	2.0	V
		P00 to P03, P20 to P25, P34 to P36, P40 to P47, P64 to P67, P70 to P75	V <sub>DD</sub> = 4.5 to 5.5 V, I <sub>OL</sub> = 1.6 mA		0.4	V
	V <sub>OL2</sub>	I <sub>OL</sub> = 400 μA			0.5	V

**Remark** Unless specified otherwise, alternate-function pin characteristics are the same as port pin characteristics.

**DC Characteristics (T<sub>A</sub> = -40 to +85°C, V<sub>DD</sub> = 1.8 to 5.5 V)**

Parameter	Symbol	Test Conditions		MIN.	TYP.	MAX.	Unit
Input leakage current, high	I <sub>LIH1</sub>	V <sub>IN</sub> = V <sub>DD</sub>	P00 to P03, P10 to P17, P20 to P25, P34 to P36, P40 to P47, P50 to P57, P60 to P67, P70 to P75, $\overline{\text{RESET}}$			3	μA
	I <sub>LIH2</sub>		X1, X2, XT1, XT2			20	μA
	I <sub>LIH3</sub>	V <sub>IN</sub> = 5.5 V	P30 to P33			80	μA
Input leakage current, low	I <sub>LIL1</sub>	V <sub>IN</sub> = 0 V	P00 to P03, P10 to P17, P20 to P25, P34 to P36, P40 to P47, P50 to P57, P64 to P67, P70 to P75, $\overline{\text{RESET}}$			-3	μA
	I <sub>LIL2</sub>		X1, X2, XT1, XT2			-20	μA
	I <sub>LIL3</sub>		P30 to P33			-3 <sup>Note</sup>	μA
Output leakage current, high	I <sub>LOH</sub>	V <sub>OUT</sub> = V <sub>DD</sub>				3	μA
Output leakage current, low	I <sub>LOL</sub>	V <sub>OUT</sub> = 0 V				-3	μA
Mask option pull-up resistor	R <sub>1</sub>	V <sub>IN</sub> = 0 V, P60 to P63 P30 to P33		15	30	90	kΩ
Software pull-up resistor	R <sub>2</sub>	V <sub>IN</sub> = 0 V, P00 to P03, P20 to P25, P34 to P36, P40 to P47, P50 to P57, P64 to P67, P70 to P75		15	30	90	kΩ

**Note** When the pull-up resistor is not included in P30 to P33 (specified by a mask option), a -200 μA (MAX.) low-level input leakage current flows only at the 3-clock interval (no wait) when the read instruction to port 3 (PM3) and port mode register 3 (PM3) is executed. At times other than this 3-clock interval, a -3 μA (MAX.) current flows.

**Remark** Unless specified otherwise, alternate-function pin characteristics are the same as port pin characteristics.

**DC Characteristics (T<sub>A</sub> = -40 to +85°C, V<sub>DD</sub> = 1.8 to 5.5 V)**

Parameter	Symbol	Test Conditions	MIN.	TYP.	MAX.	Unit	
Power supply current <sup>Note 1</sup>	I <sub>DD1</sub>	8.38-MHz crystal oscillation operating mode	V <sub>DD</sub> = 5.0 V ±10%		8	16	mA
	I <sub>DD2</sub>	8.38-MHz crystal oscillation HALT mode	V <sub>DD</sub> = 5.0 V ±10%		1.6	3.2	mA
	I <sub>DD3</sub>	32.768-kHz crystal oscillation operating mode <sup>Note 2</sup>	V <sub>DD</sub> = 5.0 V ±10%		60	120	μA
			V <sub>DD</sub> = 3.0 V ±10%		32	64	μA
			V <sub>DD</sub> = 2.0 V ±10%		24	48	μA
	I <sub>DD4</sub>	32.768-kHz crystal oscillation HALT mode <sup>Note 2</sup>	V <sub>DD</sub> = 5.0 V ±10%		25	55	μA
			V <sub>DD</sub> = 3.0 V ±10%		5	15	μA
			V <sub>DD</sub> = 2.0 V ±10%		2.5	12.5	μA
	I <sub>DD5</sub>	XT1 = V <sub>DD</sub> STOP mode When feedback resistor is used	V <sub>DD</sub> = 5.0 V ±10%		1	30	μA
			V <sub>DD</sub> = 3.0 V ±10%		0.5	10	μA
			V <sub>DD</sub> = 2.0 V ±10%		0.3	10	μA
	I <sub>DD6</sub>	XT1 = V <sub>DD</sub> STOP mode When feedback resistor is not used	V <sub>DD</sub> = 5.0 V ±10%		0.1	30	μA
V <sub>DD</sub> = 3.0 V ±10%				0.05	10	μA	
V <sub>DD</sub> = 2.0 V ±10%				0.05	10	μA	

- Notes**
1. Does not include the on-chip pull-up resistor, AV<sub>REF</sub> current, and port current.
  2. When the main system clock is stopped.



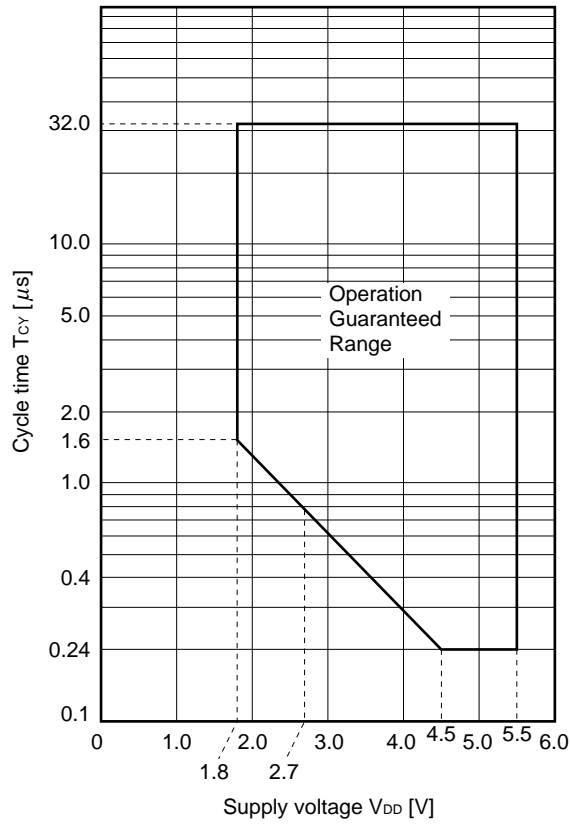
AC CHARACTERISTICS

(1) Basic Operation (T<sub>A</sub> = -40 to +85°C, V<sub>DD</sub> = 1.8 to 5.5 V)

Parameter	Symbol	Test Conditions		MIN.	TYP.	MAX.	Unit
Cycle time (Min. instruction execution time)	T <sub>CY</sub>	Operating with main system clock	4.5 V ≤ V <sub>DD</sub> ≤ 5.5 V	0.24		32	μs
			2.7 V ≤ V <sub>DD</sub> < 4.5 V	0.8		32	μs
				1.6		32	μs
		Operating with subsystem clock	40Note 1	122	125	μs	
TI00, TI01 input high-/low-level width	t <sub>TIH0</sub> , t <sub>TIL0</sub>	3.5 V ≤ V <sub>DD</sub> ≤ 5.5 V	2/f <sub>sam</sub> +0.1Note2			μs	
		2.7 V ≤ V <sub>DD</sub> < 3.5 V	2/f <sub>sam</sub> +0.2Note2			μs	
		1.8 V ≤ V <sub>DD</sub> < 2.7 V	2/f <sub>sam</sub> +0.5Note2			μs	
TI50, TI51 input frequency	f <sub>TI5</sub>	V <sub>DD</sub> = 2.7 to 5.5 V	0		4	MHz	
			0		275	kHz	
TI50, TI51 input high-/low-level width	t <sub>TIH5</sub> , t <sub>TIL5</sub>	V <sub>DD</sub> = 2.7 to 5.5 V	100			ns	
			1.8			ns	
Interrupt request input high-/low -level width	t <sub>INTH</sub> , t <sub>INTL</sub>	INTP0 to INTP3, P40 to P47	V <sub>DD</sub> = 2.7 to 5.5 V	1			μs
				2			μs
RESET low-level width	t <sub>RSL</sub>	V <sub>DD</sub> = 2.7 to 5.5 V	10			μs	
			20			μs	

- Notes**
1. Value when using the external clock. When using a crystal resonator, the value becomes 114 μs (MIN.).
  2. Selection of f<sub>sam</sub> = f<sub>x</sub>, f<sub>x</sub>/4, f<sub>x</sub>/64 is possible with bits 0 and 1 (PRM00, PRM01) of prescaler mode register 0 (PRM0). However, if the TI00 valid edge is selected as the count clock, the value becomes f<sub>sam</sub> = f<sub>x</sub>/8.

T<sub>CY</sub> vs V<sub>DD</sub> (at main system clock operation)



(2) Read/Write Operation (T<sub>A</sub> = -40 to + 85°C, V<sub>DD</sub> = 4.5 to 5.5 V) (1/3)

Parameter	Symbol	Test Conditions	MIN.	MAX.	Unit
ASTB high-level width	t <sub>ASTH</sub>		0.5t <sub>cy</sub>		ns
Address setup time	t <sub>ADS</sub>		t <sub>cy</sub> -40		ns
Address hold time	t <sub>ADH</sub>		6		ns
Data input time from address	t <sub>ADD1</sub>			(2+2n)t <sub>cy</sub> -54	ns
	t <sub>ADD2</sub>			(3+2n)t <sub>cy</sub> -60	ns
Address output time from $\overline{RD}\downarrow$	t <sub>RDAD</sub>		0	100	ns
Data input time from $\overline{RD}\downarrow$	t <sub>RDD1</sub>			(2+2n)t <sub>cy</sub> -87	ns
	t <sub>RDD2</sub>			(3+2n)t <sub>cy</sub> -93	ns
Read data hold time	t <sub>RDH</sub>		0		ns
$\overline{RD}$ low-level width	t <sub>RDL1</sub>		(1.5+2n)t <sub>cy</sub> -33		ns
	t <sub>RDL2</sub>		(2.5+2n)t <sub>cy</sub> -33		ns
$\overline{WAIT}\downarrow$ input time from $\overline{RD}\downarrow$	t <sub>RDWT1</sub>			0.5t <sub>cy</sub> -43	ns
	t <sub>RDWT2</sub>			t <sub>cy</sub> -43	ns
$\overline{WAIT}\downarrow$ input time from $\overline{WR}\downarrow$	t <sub>WRWT</sub>			0.5t <sub>cy</sub> -25	ns
$\overline{WAIT}$ low-level width	t <sub>WTL</sub>		(0.5+2n)t <sub>cy</sub> +10	(2+2n)t <sub>cy</sub>	ns
Write data setup time	t <sub>WDS</sub>		60		ns
Write data hold time	t <sub>WDH</sub>		6		ns
$\overline{WR}$ low-level width	t <sub>WRL1</sub>		(1.5+2n)t <sub>cy</sub> -15		ns
$\overline{RD}\downarrow$ delay time from ASTB $\downarrow$	t <sub>ASTRD</sub>		6		ns
$\overline{WR}\downarrow$ delay time from ASTB $\downarrow$	t <sub>ASTWR</sub>		2t <sub>cy</sub> -15		ns
ASTB $\uparrow$ delay time from $\overline{RD}\uparrow$ in external fetch	t <sub>RDAST</sub>		0.8t <sub>cy</sub> -15	1.2t <sub>cy</sub>	ns
Address hold time from $\overline{RD}\uparrow$ in external fetch	t <sub>RDADH</sub>		0.8t <sub>cy</sub> -15	1.2t <sub>cy</sub> +30	ns
Write data output time from $\overline{RD}\uparrow$	t <sub>RDWD</sub>		40		ns
Write data output time from $\overline{WR}\downarrow$	t <sub>WRWD</sub>		10	60	ns
Address hold time from $\overline{WR}\uparrow$	t <sub>WRADH</sub>		0.8t <sub>cy</sub> -15	1.2t <sub>cy</sub> +30	ns
$\overline{RD}\uparrow$ delay time from $\overline{WAIT}\uparrow$	t <sub>WTRD</sub>		0.8t <sub>cy</sub>	2.5t <sub>cy</sub> +25	ns
$\overline{WR}\uparrow$ delay time from $\overline{WAIT}\uparrow$	t <sub>WTWR</sub>		0.8t <sub>cy</sub>	2.5t <sub>cy</sub> +25	ns

- Remarks**
1. t<sub>cy</sub> = T<sub>cy</sub>/4
  2. n indicates the number of waits.

(2) Read/Write Operation (T<sub>A</sub> = -40 to + 85°C, V<sub>DD</sub> = 2.7 to 4.5 V) (2/3)

Parameter	Symbol	Test Conditions	MIN.	MAX.	Unit
ASTB high-level width	t <sub>ASTH</sub>		0.5t <sub>cy</sub>		ns
Address setup time	t <sub>ADS</sub>		0.5t <sub>cy</sub> -54		ns
Address hold time	t <sub>ADH</sub>		10		ns
Data input time from address	t <sub>ADD1</sub>			(2+2n)t <sub>cy</sub> -108	ns
	t <sub>ADD2</sub>			(3+2n)t <sub>cy</sub> -120	ns
Address output time from $\overline{RD}\downarrow$	t <sub>RDAD</sub>		0	200	ns
Data input time from $\overline{RD}\downarrow$	t <sub>RDD1</sub>			(2+2n)t <sub>cy</sub> -148	ns
	t <sub>RDD2</sub>			(3+2n)t <sub>cy</sub> -162	ns
Read data hold time	t <sub>RDH</sub>		0		ns
$\overline{RD}$ low-level width	t <sub>RDL1</sub>		(1.5+2n)t <sub>cy</sub> -40		ns
	t <sub>RDL2</sub>		(2.5+2n)t <sub>cy</sub> -40		ns
$\overline{WAIT}\downarrow$ input time from $\overline{RD}\downarrow$	t <sub>RDWT1</sub>			0.5t <sub>cy</sub> -60	ns
	t <sub>RDWT2</sub>			t <sub>cy</sub> -60	ns
$\overline{WAIT}\downarrow$ input time from $\overline{WR}\downarrow$	t <sub>WRWT</sub>			0.5t <sub>cy</sub> -50	ns
$\overline{WAIT}$ low-level width	t <sub>WTL</sub>		(0.5+2n)t <sub>cy</sub> +10	(2+2n)t <sub>cy</sub>	ns
Write data setup time	t <sub>WDS</sub>		60		ns
Write data hold time	t <sub>WDH</sub>		10		ns
$\overline{WR}$ low-level width	t <sub>WRL1</sub>		(1.5+2n)t <sub>cy</sub> -30		ns
$\overline{RD}\downarrow$ delay time from ASTB $\downarrow$	t <sub>ASTRD</sub>		10		ns
$\overline{WR}\downarrow$ delay time from ASTB $\downarrow$	t <sub>ASTWR</sub>		2t <sub>cy</sub> -30		ns
ASTB $\uparrow$ delay time from $\overline{RD}\uparrow$ in external fetch	t <sub>RDAST</sub>		0.8t <sub>cy</sub> -30	1.2t <sub>cy</sub>	ns
Address hold time from $\overline{RD}\uparrow$ in external fetch	t <sub>RDADH</sub>		0.8t <sub>cy</sub> -30	1.2t <sub>cy</sub> +60	ns
Write data output time from $\overline{RD}\uparrow$	t <sub>RDWD</sub>		40		ns
Write data output time from $\overline{WR}\downarrow$	t <sub>WRWD</sub>		20	120	ns
Address hold time from $\overline{WR}\uparrow$	t <sub>WRADH</sub>		0.8t <sub>cy</sub> -30	1.2t <sub>cy</sub> +60	ns
$\overline{RD}\uparrow$ delay time from $\overline{WAIT}\uparrow$	t <sub>WTRD</sub>		0.5t <sub>cy</sub>	2.5t <sub>cy</sub> +50	ns
$\overline{WR}\uparrow$ delay time from $\overline{WAIT}\uparrow$	t <sub>WTWR</sub>		0.5t <sub>cy</sub>	2.5t <sub>cy</sub> +50	ns

- Remarks**
1. t<sub>cy</sub> = T<sub>cy</sub>/4
  2. n indicates the number of waits.

(2) Read/Write Operation (T<sub>A</sub> = -40 to + 85°C, V<sub>DD</sub> = 1.8 to 2.7 V) (3/3)

Parameter	Symbol	Test Conditions	MIN.	MAX.	Unit
ASTB high-level width	t <sub>ASTH</sub>		0.5t <sub>cy</sub>		ns
Address setup time	t <sub>ADS</sub>		0.5t <sub>cy</sub> -60		ns
Address hold time	t <sub>ADH</sub>		20		ns
Data input time from address	t <sub>ADD1</sub>			(2+2n)t <sub>cy</sub> -233	ns
	t <sub>ADD2</sub>			(3+2n)t <sub>cy</sub> -240	ns
Address output time from $\overline{RD}\downarrow$	t <sub>RDAD</sub>		0	400	ns
Data input time from $\overline{RD}\downarrow$	t <sub>RDD1</sub>			(2+2n)t <sub>cy</sub> -325	ns
	t <sub>RDD2</sub>			(3+2n)t <sub>cy</sub> -332	ns
Read data hold time	t <sub>RDH</sub>		0		ns
$\overline{RD}$ low-level width	t <sub>RDL1</sub>		(1.5+2n)t <sub>cy</sub> -92		ns
	t <sub>RDL2</sub>		(2.5+2n)t <sub>cy</sub> -92		ns
$\overline{WAIT}\downarrow$ input time from $\overline{RD}\downarrow$	t <sub>RDWT1</sub>			0.5t <sub>cy</sub> -132	ns
	t <sub>RDWT2</sub>			t <sub>cy</sub> -132	ns
$\overline{WAIT}\downarrow$ input time from $\overline{WR}\downarrow$	t <sub>WRWT</sub>			0.5t <sub>cy</sub> -100	ns
$\overline{WAIT}$ low-level width	t <sub>WTL</sub>		(0.5+2n)t <sub>cy</sub> +10	(2+2n)t <sub>cy</sub>	ns
Write data setup time	t <sub>WDS</sub>		60		ns
Write data hold time	t <sub>WDH</sub>		20		ns
$\overline{WR}$ low-level width	t <sub>WRL1</sub>		(1.5+2n)t <sub>cy</sub> -60		ns
$\overline{RD}\downarrow$ delay time from ASTB $\downarrow$	t <sub>ASTRD</sub>		20		ns
$\overline{WR}\downarrow$ delay time from ASTB $\downarrow$	t <sub>ASTWR</sub>		2t <sub>cy</sub> -60		ns
ASTB $\uparrow$ delay time from $\overline{RD}\uparrow$ in external fetch	t <sub>RDAST</sub>		0.8t <sub>cy</sub> -60	1.2t <sub>cy</sub>	ns
Address hold time from $\overline{RD}\uparrow$ in external fetch	t <sub>RDADH</sub>		0.8t <sub>cy</sub> -60	1.2t <sub>cy</sub> +120	ns
Write data output time from $\overline{RD}\uparrow$	t <sub>RDWD</sub>		40		ns
Write data output time from $\overline{WR}\downarrow$	t <sub>WRWD</sub>		40	240	ns
Address hold time from $\overline{WR}\uparrow$	t <sub>WRADH</sub>		0.8t <sub>cy</sub> -60	1.2t <sub>cy</sub> +120	ns
$\overline{RD}\uparrow$ delay time from $\overline{WAIT}\uparrow$	t <sub>WTRD</sub>		0.5t <sub>cy</sub>	2.5t <sub>cy</sub> +100	ns
$\overline{WR}\uparrow$ delay time from $\overline{WAIT}\uparrow$	t <sub>WTWR</sub>		0.5t <sub>cy</sub>	2.5t <sub>cy</sub> +100	ns

- Remarks**
1. t<sub>cy</sub> = T<sub>cy</sub>/4
  2. n indicates the number of waits.

**(3) Serial Interface (T<sub>A</sub> = -40 to +85°C, V<sub>DD</sub> = 1.8 to 5.5 V)**

**(a) 3-wire serial I/O mode (SCK30, SCK31... Internal clock output)**

Parameter	Symbol	Test Conditions	MIN.	TYP.	MAX.	Unit
SCK30, SCK31 cycle time	t <sub>KCY1</sub>	4.5 V ≤ V <sub>DD</sub> ≤ 5.5 V	954			ns
		2.7 V ≤ V <sub>DD</sub> < 4.5 V	1600			ns
			3200			ns
SCK30, SCK31 high-/ low-level width	t <sub>KH1</sub> , t <sub>KL1</sub>	V <sub>DD</sub> = 4.5 to 5.5 V	t <sub>KCY1</sub> /2-50			ns
			t <sub>KCY1</sub> /2-100			ns
SI30, SI31 setup time (to SCK30, SCK31↑)	t <sub>SIK1</sub>	4.5 V ≤ V <sub>DD</sub> ≤ 5.5V	100			ns
		2.7 V ≤ V <sub>DD</sub> < 4.5V	150			ns
			300			ns
SI30, SI31 hold time (from SCK30, SCK31↑)	t <sub>KSH1</sub>		400			ns
SO30, SO31 output dealy time from SCK30, SCK31↓	t <sub>KSO1</sub>	C = 100 pF <sup>Note</sup>			300	ns

**Note** C is the load capacitance of the SCK30, SCK31, SO30, and SO31 output lines.

**(b) 3-wire serial I/O mode (SCK30, SCK31... External clock input)**

Parameter	Symbol	Test Conditions	MIN.	TYP.	MAX.	Unit
SCK30, SCK31 cycle time	t <sub>KCY2</sub>	4.5 V ≤ V <sub>DD</sub> ≤ 5.5 V	800			ns
		2.7 V ≤ V <sub>DD</sub> < 4.5 V	1600			ns
			3200			ns
SCK30, SCK31 high-/ low-level width	t <sub>KH2</sub> , t <sub>KL2</sub>	4.5 V ≤ V <sub>DD</sub> ≤ 5.5 V	400			ns
		2.7 V ≤ V <sub>DD</sub> < 4.5 V	800			ns
			1600			ns
SI30, SI31 setup time (to SCK30, SCK31↑)	t <sub>SIK2</sub>		100			ns
SI30, SI31 hold time (from SCK30, SCK31↑)	t <sub>KSI2</sub>		400			ns
SO30, SO31 output dealy time from SCK30, SCK31↓	t <sub>KSO2</sub>	C = 100 pF <sup>Note</sup>			300	ns
SCK30, SCK31 rise, fall time	t <sub>R2</sub> , t <sub>F2</sub>	When using external device expansion function			160	ns
		When not using external device expansion function	When using 16-bit timer expansion function		700	ns
			When not using 16-bit timer expansion function		1000	ns

**Note** C is the load capacitance of the SO30 and SO31 output lines.

**(c) UART mode (Dedicated baud rate generator output)**

Parameter	Symbol	Test Conditions	MIN.	TYP.	MAX.	Unit
Transfer rate		4.5 V ≤ V <sub>DD</sub> ≤ 5.5 V			125000	bps
		2.7 V ≤ V <sub>DD</sub> < 4.5 V			78125	bps
					39063	bps

**(d) UART mode (External clock input)**

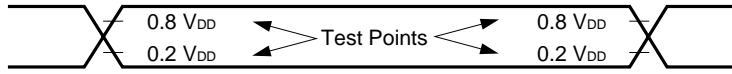
Parameter	Symbol	Test Conditions	MIN.	TYP.	MAX.	Unit
ASCK0 cycle time	t <sub>KCY3</sub>	4.5 V ≤ V <sub>DD</sub> ≤ 5.5 V	800			ns
		2.7 V ≤ V <sub>DD</sub> < 4.5 V	1600			ns
			3200			ns
ASCK0 high-/low-level width	t <sub>KH3</sub>	4.5 V ≤ V <sub>DD</sub> ≤ 5.5 V	400			ns
	t <sub>KL3</sub>	2.7 V ≤ V <sub>DD</sub> < 4.5 V	800			ns
			1600			ns
Transfer rate		4.5 V ≤ V <sub>DD</sub> ≤ 5.5 V			39063	bps
		2.7 V ≤ V <sub>DD</sub> < 4.5 V			19531	bps
					9766	bps
ASCK0 rise, fall time	t <sub>R3</sub>	V <sub>DD</sub> = 4.5 to 5.5 V, when not using external device expansion function			1000	ns
	t <sub>F3</sub>				160	ns

**(e) UART mode (Infrared ray data transfer mode)**

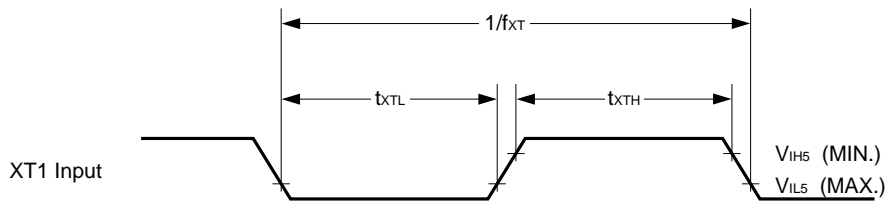
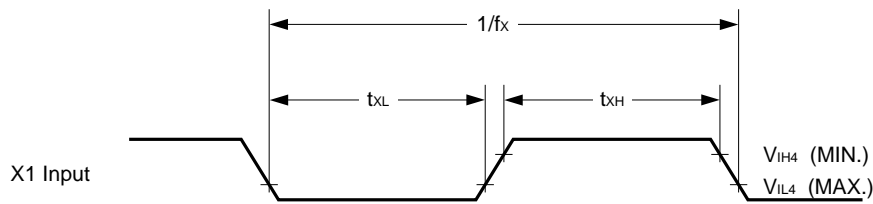
Parameter	Symbol	Test Conditions	MIN.	MAX.	Unit
Transfer rate		V <sub>DD</sub> = 4.5 to 5.5 V		115200	bps
Bit rate allowable error		V <sub>DD</sub> = 4.5 to 5.5 V		±0.87	%
Output pulse width		V <sub>DD</sub> = 4.5 to 5.5 V	1.2	0.24/f <sub>br</sub> <sup>Note</sup>	μs
Input pulse width		V <sub>DD</sub> = 4.5 to 5.5 V	4/f <sub>x</sub>		μs

**Note** f<sub>br</sub>: Specified baud rate

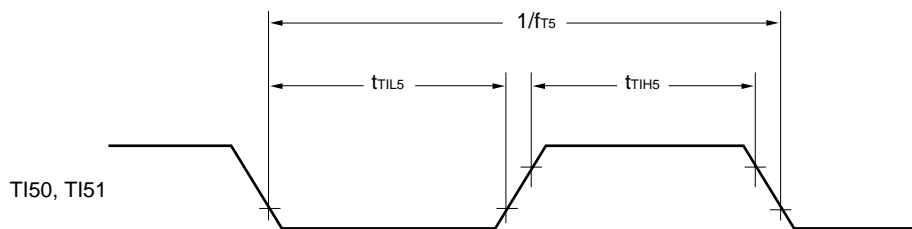
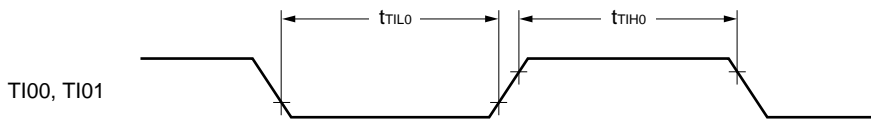
AC Timing Test Point (Excluding X1, XT1 Input)



Clock Timing



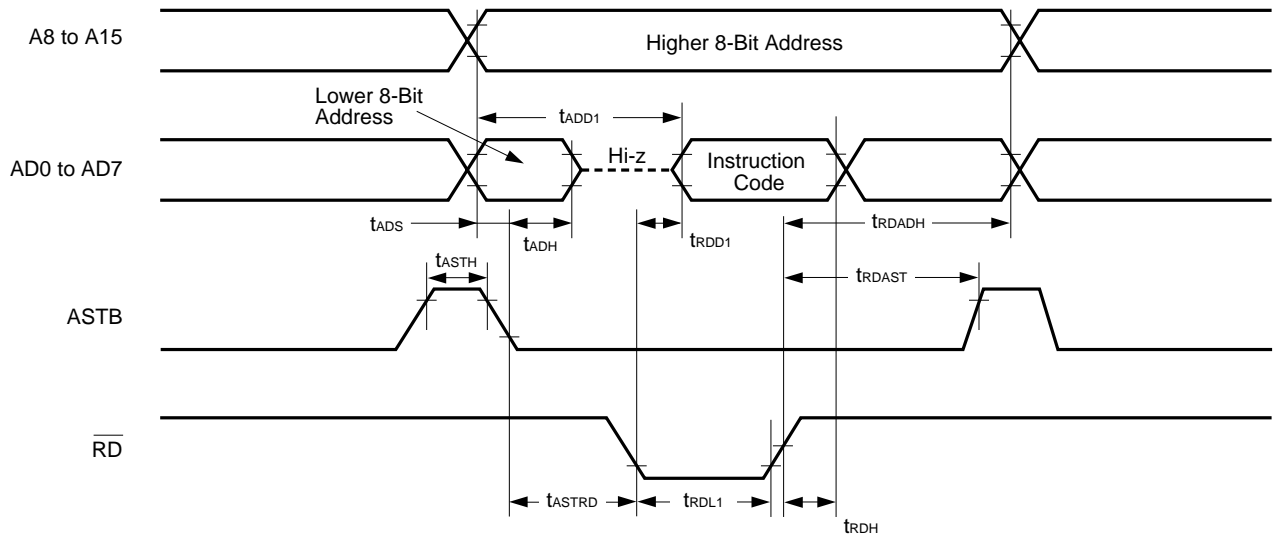
TI Timing



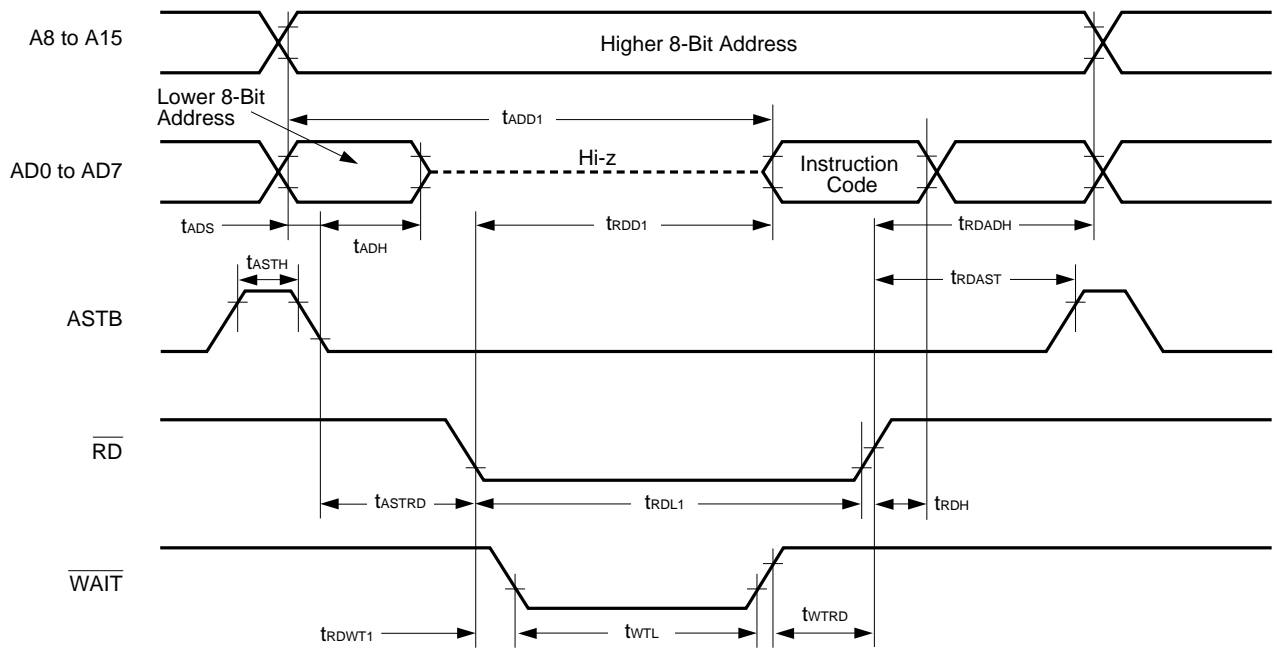


Read/Write Operation

External Fetch (No Wait) :



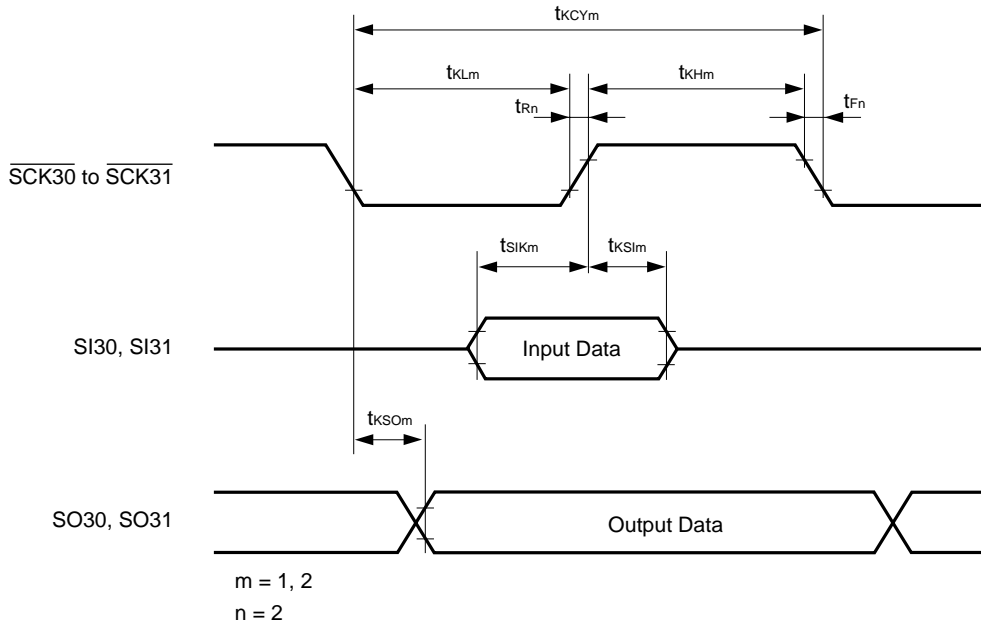
External Fetch (Wait Insertion) :



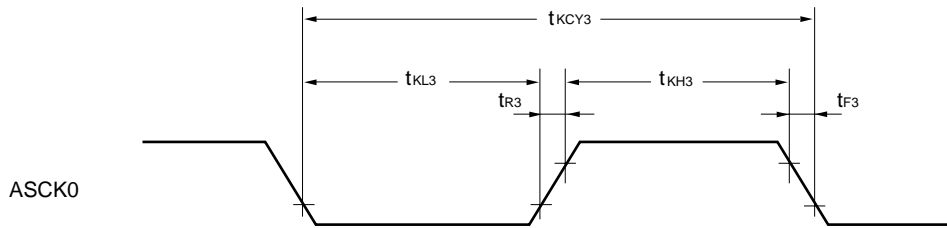


Serial Transfer Timing

3-wire Serial I/O Mode :



UART Mode (External Clock Input) :



**A/D Converter Characteristics (T<sub>A</sub> = -40 to +85°C, V<sub>DD</sub> = AV<sub>DD</sub> = AV<sub>REF</sub> = 2.7 to 5.5 V, AV<sub>SS</sub> = V<sub>SS</sub> = 0 V)**

Parameter	Symbol	Test Conditions	MIN.	TYP.	MAX.	Unit
Resolution			10	10	10	bit
Overall error <sup>Note</sup>		4.5 V ≤ AV <sub>REF</sub> ≤ 5.5 V			±0.4	%
		2.7 V ≤ AV <sub>REF</sub> < 4.5 V			±0.7	%
Conversion time	T <sub>CONV</sub>	4.5 V ≤ AV <sub>REF</sub> ≤ 5.5 V	14		200 or more	μs
		2.7 V ≤ AV <sub>REF</sub> < 4.5 V	20		200 or more	μs
Analog input voltage	V <sub>IAN</sub>		0		AV <sub>REF</sub> + 0.3	V
Reference voltage	AV <sub>REF</sub>		2.7		AV <sub>DD</sub>	V
AV <sub>REF</sub> resistance	RA <sub>IREF</sub>		10	20		kΩ

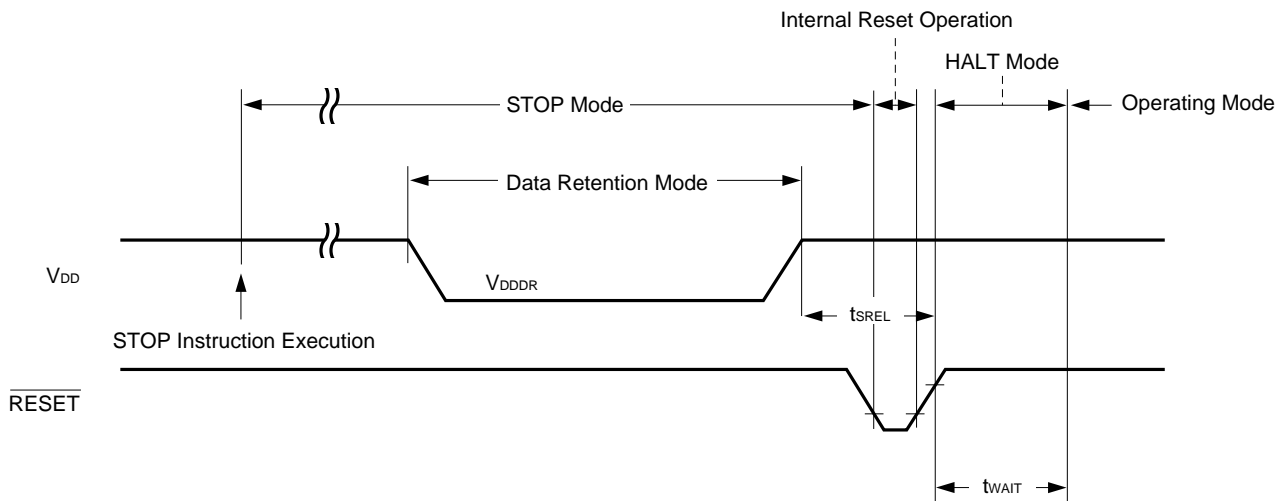
**Note** Overall error excluding quantization error (±1/2 LSB). It is indicated as a ratio to the full-scale value.

**Data Memory STOP Mode Low Supply Voltage Data Retention Characteristics (T<sub>A</sub> = -40 to +85°C)**

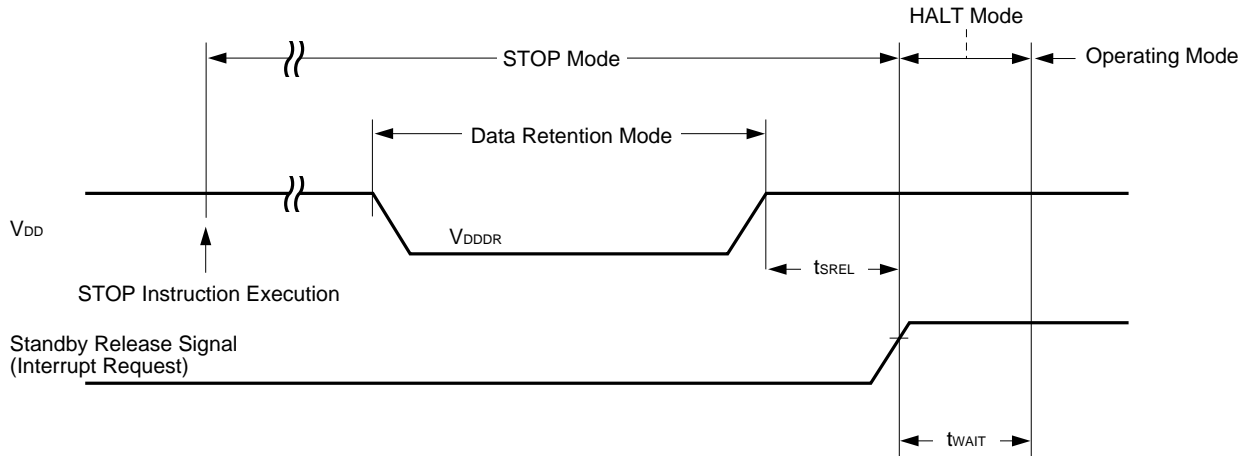
Parameter	Symbol	Test Conditions	MIN.	TYP.	MAX.	Unit
Data retention power supply voltage	V <sub>DDDR</sub>		1.6		5.5	V
Data retention power supply current	I <sub>DDDR</sub>	V <sub>DDDR</sub> = 1.6 V Subsystem clock stop and feed-back resistor disconnected		0.1	10	μA
Release signal set time	t <sub>SREL</sub>		0			μs
Oscillation stabilization wait time	t <sub>WAIT</sub>	Release by <u>RESET</u>		2 <sup>17</sup> /f <sub>x</sub>		ms
		Release by interrupt request		<b>Note</b>		ms

**Note** Selection of 2<sup>12</sup>/f<sub>x</sub> and 2<sup>14</sup>/f<sub>x</sub> to 2<sup>17</sup>/f<sub>x</sub> is possible with bits 0 to 2 (OSTS0 to OSTS2) of the oscillation stabilization time select register (OSTS).

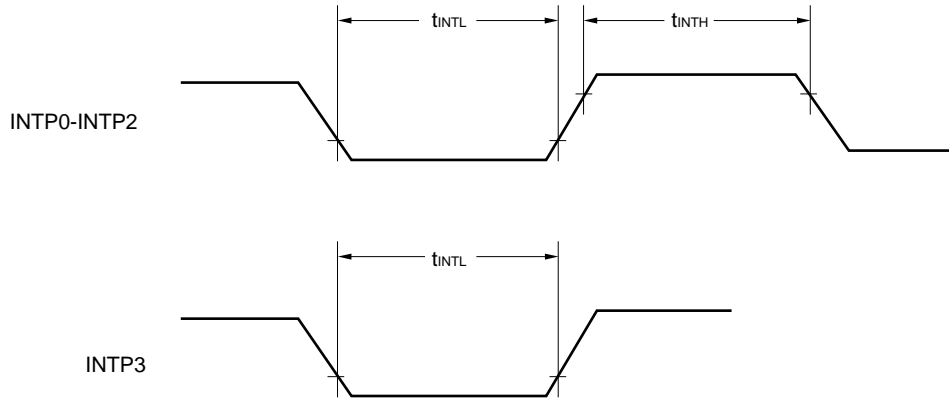
**Data Retention Timing (STOP Mode Release by RESET)**



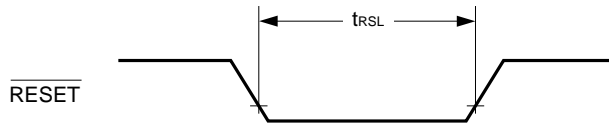
**Data Retention Timing (Standby Release Signal: STOP Mode Release by Interrupt Request Signal)**



**Interrupt Request Input Timing**

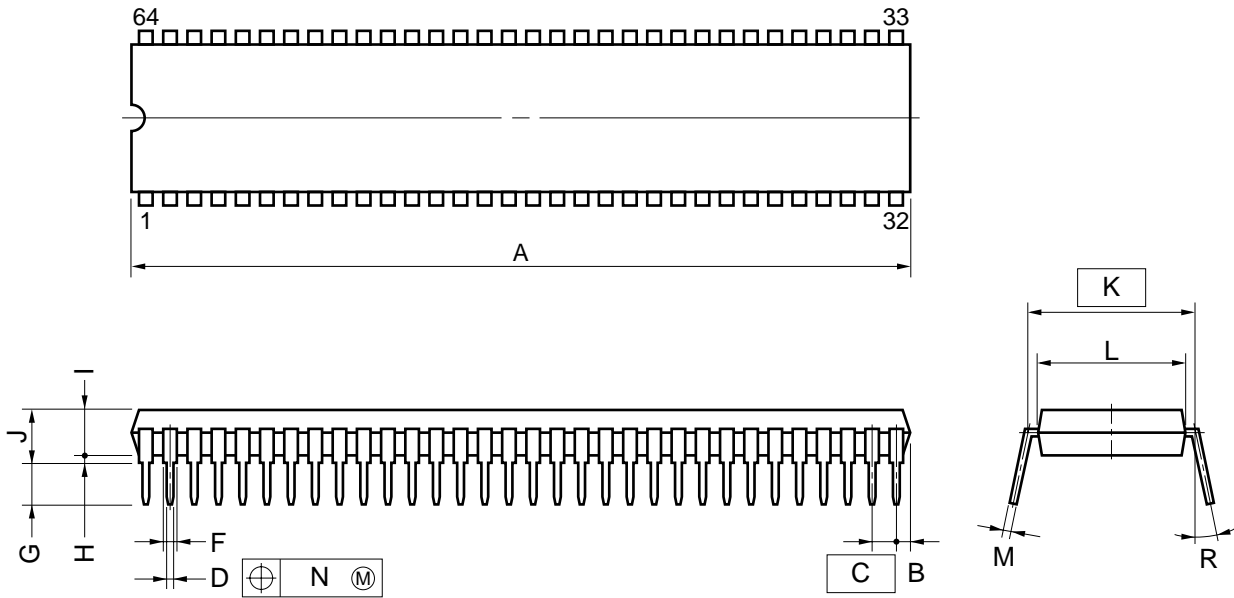


**RESET Input Timing**



12. PACKAGE DRAWINGS

64-PIN PLASTIC SHRINK DIP (750 mils)



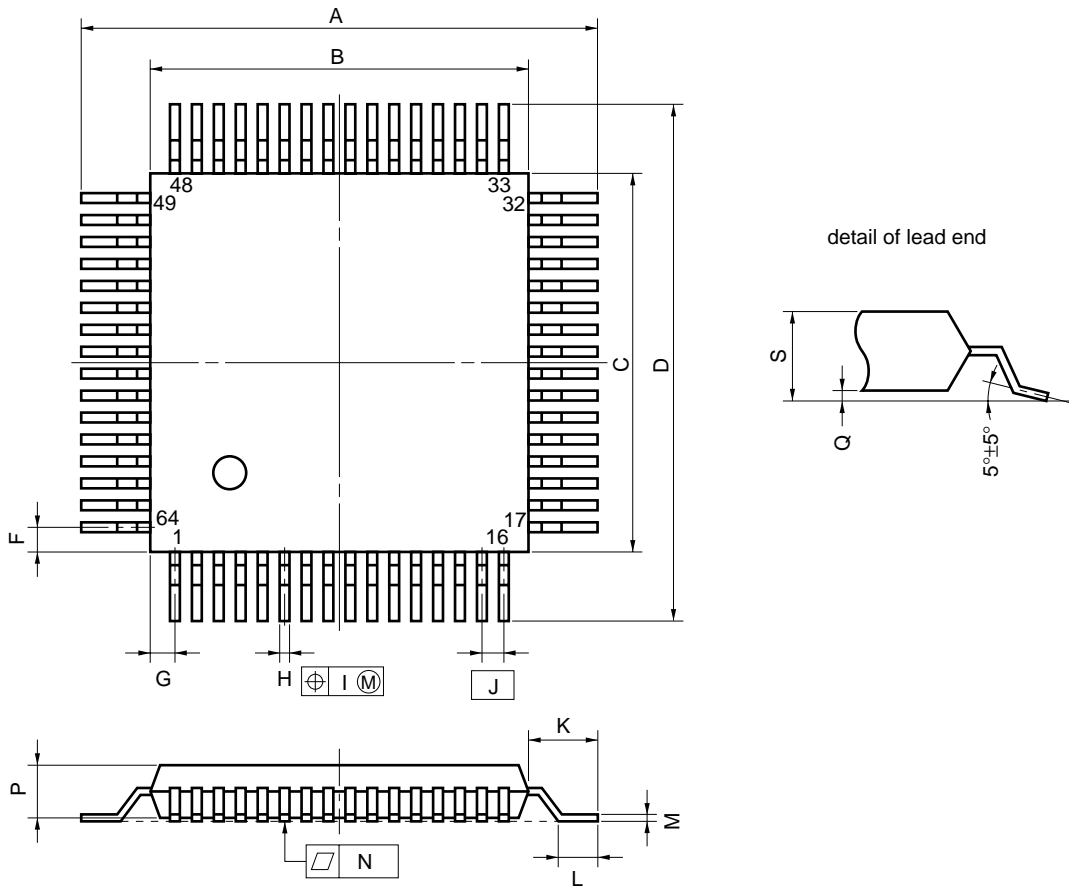
**NOTE**

- 1) Each lead centerline is located within 0.17 mm (0.007 inch) of its true position (T.P.) at maximum material condition.
- 2) Item "K" to center of leads when formed parallel.

ITEM	MILLIMETERS	INCHES
A	58.68 MAX.	2.311 MAX.
B	1.78 MAX.	0.070 MAX.
C	1.778 (T.P.)	0.070 (T.P.)
D	0.50±0.10	0.020 <sup>+0.004</sup> <sub>-0.005</sub>
F	0.9 MIN.	0.035 MIN.
G	3.2±0.3	0.126±0.012
H	0.51 MIN.	0.020 MIN.
I	4.31 MAX.	0.170 MAX.
J	5.08 MAX.	0.200 MAX.
K	19.05 (T.P.)	0.750 (T.P.)
L	17.0	0.669
M	0.25 <sup>+0.10</sup> <sub>-0.05</sub>	0.010 <sup>+0.004</sup> <sub>-0.003</sub>
N	0.17	0.007
R	0~15°	0~15°

P64C-70-750A,C-1

64-PIN PLASTIC QFP (14×14)



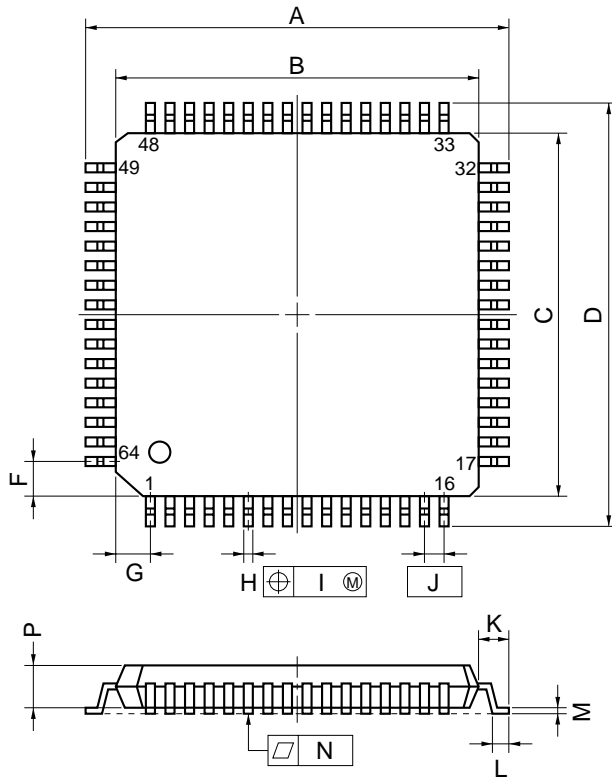
**NOTE**

Each lead centerline is located within 0.15 mm (0.006 inch) of its true position (T.P.) at maximum material condition.

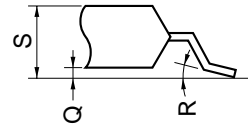
P64GC-80-AB8-3

ITEM	MILLIMETERS	INCHES
A	17.6±0.4	0.693±0.016
B	14.0±0.2	0.551 <sup>+0.009</sup> <sub>-0.008</sub>
C	14.0±0.2	0.551 <sup>+0.009</sup> <sub>-0.008</sub>
D	17.6±0.4	0.693±0.016
F	1.0	0.039
G	1.0	0.039
H	0.35±0.10	0.014 <sup>+0.004</sup> <sub>-0.005</sub>
I	0.15	0.006
J	0.8 (T.P.)	0.031 (T.P.)
K	1.8±0.2	0.071±0.008
L	0.8±0.2	0.031 <sup>+0.009</sup> <sub>-0.008</sub>
M	0.15 <sup>+0.10</sup> <sub>-0.05</sub>	0.006 <sup>+0.004</sup> <sub>-0.003</sub>
N	0.10	0.004
P	2.55	0.100
Q	0.1±0.1	0.004±0.004
S	2.85 MAX.	0.112 MAX.

64-PIN PLASTIC LQFP (12×12)



detail of lead end



**NOTE**

Each lead centerline is located within 0.13 mm (0.005 inch) of its true position (T.P.) at maximum material condition.

ITEM	MILLIMETERS	INCHES
A	14.8±0.4	0.583±0.016
B	12.0±0.2	0.472 <sup>+0.009</sup> <sub>-0.008</sub>
C	12.0±0.2	0.472 <sup>+0.009</sup> <sub>-0.008</sub>
D	14.8±0.4	0.583±0.016
F	1.125	0.044
G	1.125	0.044
H	0.30±0.10	0.012 <sup>+0.004</sup> <sub>-0.005</sub>
I	0.13	0.005
J	0.65 (T.P.)	0.026 (T.P.)
K	1.4±0.2	0.055±0.008
L	0.6±0.2	0.024 <sup>+0.008</sup> <sub>-0.009</sub>
M	0.15 <sup>+0.10</sup> <sub>-0.05</sub>	0.006 <sup>+0.004</sup> <sub>-0.003</sub>
N	0.10	0.004
P	1.4	0.055
Q	0.125±0.075	0.005±0.003
R	5°±5°	5°±5°
S	1.7 MAX.	0.067 MAX.

P64GK-65-8A8-1



★ APPENDIX A. DEVELOPMENT TOOLS

The following development tools are available for system development using the μPD780034 Subseries. Also refer to (5) Cautions on using development tools.

(1) Language Processing Software

RA78K/0	Assembler package common to 78K/0 Series
CC78K/0	C compiler package common to 78K/0 Series
DF780034	Device file for μPD780034 Subseries
CC78K/0-L	C compiler library source file common to 78K/0 Series

(2) Flash Memory Writing Tools

Flashpro II (FL-PR2)	Flash programmer dedicated on-chip flash memory microcontroller.
FA-64CW FA-64GC FA-64GK <sup>Note</sup>	Adapter for flash memory writing

**Note** Under development

(3) Debugging Tool

- When using in-circuit emulator IE-78K0-NS

IE-78K0-NS <sup>Note</sup>	In-circuit emulator common to 78K/0 Series
IE-70000-MS-PS-B	Power supply unit for IE-78K0-NS
IE-70000-98-IF-C <sup>Note</sup>	Interface adapter when using PC-9800 series as host machine (excluding notebook PCs)
IE-70000-CD-IF <sup>Note</sup>	PC card and interface cable when using notebook PC of PC-9800 series as host machine
IE-70000-PC-IF-C <sup>Note</sup>	Interface adapter when using IBM PC/AT™ or compatible as host machine
IE-780034-NS-EM1 <sup>Note</sup>	Emulation board to emulate μPD780034 Subseries
NP-64CW	Emulation probe for 64-pin plastic shrink DIP (CW type)
NP-64GC	Emulation probe for 64-pin plastic QFP (GC-AB8 type)
NP-64GK <sup>Note</sup>	Emulation probe for 64-pin plastic LQFP (GC-8A8 type)
TGK-064SBW	Conversion adapter for connecting target system board designed to mount a 64-pin plastic LQFP (GK-8A8 type) and NP-64GK.
EV-9200GC-64	Socket to be mounted on target system board manufactured for 64-pin plastic QFP (GC-AB8 type)
ID78K0-NS <sup>Note</sup>	Integrated debugger for IE-78K0-NS
SM78K0	System simulator common to 78K/0 Series
DF780034	Device file for μPD780034 Subseries

**Note** Under development

• When using in-circuit emulator IE-78001-R-A

IE-78001-R-A <sup>Note</sup>	In-circuit emulator common to 78K/0 Series
IE-70000-98-IF-B IE-70000-98-IF-C <sup>Note</sup>	Interface adapter when using PC-9800 series as host machine (excluding notebook PCs)
IE-70000-PC-IF-B IE-70000-PC-IF-C <sup>Note</sup>	Interface adapter when using IBM PC/AT or compatible as host machine
IE-78000-R-SV3	Interface adapter and cable when using EWS as host machine
IE-780034-NS-EM1 <sup>Note</sup>	Emulation board to emulate μPD780034 Subseries
IE-78K0-R-EX1 <sup>Note</sup>	Emulation probe conversion board to use IE-780034-NS-EM1 on IE-78001-R-A
EP-78240CW-R	Emulation probe for 64-pin plastic shrink DIP (CW type)
EP-78240GC-R	Emulation probe for 64-pin plastic QFP (GC-AB8 type)
EP-78012GK-R	Emulation probe for 64-pin plastic LQFP (GK-8A8 type)
TGK-064SBW	Conversion adapter for connecting target system board designed to mount a 64-pin plastic LQFP (GK-8A8) and NP-64GK.
EV-9200GC-64	Socket to be mounted on target system board manufactured for 64-pin plastic QFP (GC-AB8 type)
ID78K0	Integrated debugger for IE-78001-R-A
SM78K0	System simulator common to 78K/0 Series
DF780034	Device file for μPD780034 Subseries

**Note** Under development

**(4) Real-time OS**

RX78K/0	Real-time OS for 78K/0 Series
MX78K0	OS for 78K/0 Series

**(5) Cautions on using development tools**

- The ID-78K0-NS, ID78K0, and SM78K0 are used in combination with the DF780034.
- The CC78K/0 and RX78K/0 are used in combination with the RA78K/0 and the DF780034.
- The Flashpro II, FA-64CW, FA-64GC, FA64GK, NP-64CW, NP64GC, and NP-64GK are products made by Naitou Densei Machidaseisakusho (044-822-3813).  
Contact an NEC distributor regarding the purchase of these products.
- The TGK-064SBW is a product made by TOKYO ELETECH CORPORATION.  
Refer to: Daimaru Kogyo, Ltd.  
Tokyo Electronic Components Division (03-3820-7112)  
Osaka Electronic Components Division (06-244-6672)
- For third party development tools, see the **78K/0 Series Selection Guide (U11126E)**.
- The host machines and OSs supporting each software are as follows.

Software	Host Machine [OS]	PC	EWS
		PC-9800 series [Windows™] IBM PC/AT or compatible [Japanese/English Windows]	HP9000 series 700™ [HP-UX™] SPARCstation™ [SunOS™] NEWS™ (RISC) [NEWS-OS™]
RA78K/0		√ <b>Note</b>	√
CC78K/0		√ <b>Note</b>	√
ID78K0-NS		√	–
ID78K0		√	√
SM78K0		√	–
RX78K/0		√ <b>Note</b>	√
MX78K0		√ <b>Note</b>	√

**Note** DOS-based software

## ★ APPENDIX B. RELATED DOCUMENTS

## Device Related Documents

Document Name	Document No. (English)	Document No. (Japanese)
μPD780024, 780024Y, 780034, 780034Y Subseries User's Manual	U12022E	U12022J
μPD780031, 780032, 780033, 780034 Data Sheet	This document	U12300J
μPD78F0034 Preliminary Product Information	U11993E	U11993J
78K/0 Series User's Manual-Instructions	U12326E	U12326J
78K/0 Series Instruction Table	—	U10903J
78K/0 Series Instruction Set	—	U10904J
μPD780034 Subseries Special Function Register Table	—	To be prepared

## Development Tool Documents (User's Manual)

Document Name	Document No. (English)	Document No. (Japanese)
RA78K Series Assembler Package	Operation	EEU-1399
	Language	EEU-1404
RA78K Series Structured Assembler Preprocessor	EEU-1402	U12323J
RA78K0 Assembler Package	Operation	U11802E
	Assembly Language	U11801E
	Structured Assembly Language	U11789E
CC78K Series C Compiler	Operation	EEU-1280
	Language	EEU-1284
CC78K/0 C Compiler	Operation	U11517E
	Language	U11518E
CC78K/0 C Compiler Application Note	Programming Know-how	EEA-1208
CC78K Series Library Source File	—	U12322J
IE-78K0-NS	To be prepared	To be prepared
IE-78001-R-A	To be prepared	To be prepared
IE-780034-NS-EM1	To be prepared	To be prepared
EP-78240	U10332E	EEU-986
EP-78012GK-R	EEU-1538	EEU-5012
SM78K0 System Simulator-Windows based	Reference	U10181E
SM78K Series System Simulator	External Part User Open Interface Specifications	U10092E
ID78K0-NS Integrated Debugger	Reference	To be prepared
ID78K0 Integrated Debugger, EWS based	Reference	—
ID78K0 Integrated Debugger, PC based	Reference	U11539E
ID78K0 Integrated Debugger, Windows based	Guide	U11649E

**Caution** The above related documents are subject to change without notice. Be sure to read the latest documents before designing.

**Embedded Software Documents (User's Manual)**

Document Name		Document No. (English)	Document No. (Japanese)
78K/0 Series Real-time OS	Basics	U11537E	U11537J
	Installation	U11536E	U11536J
78K/0 Series OS MX78K0	Basics	U12257E	U12257J

**Other Documents**

Document Name	Document No. (English)	Document No. (Japanese)
IC Package Manual	C10943X	
Semiconductor Device Mounting Technology Manual	C10535E	C10535J
Quality Grades on NEC Semiconductor Devices	C11531E	C11531J
NEC Semiconductor Device Reliability/Quality Control System	C10983E	C10983J
Guide to Prevent Damage for Semiconductor Devices by Electrostatic Discharge (ESD)	C11892E	C11892J
Guide to Quality Assurance for Semiconductor Devices	MEI-1202	—
Microcomputer Product Series Guide	—	U11416J

**Caution** The above related documents are subject to change without notice. Be sure to read the latest documents before designing.

[MEMO]

[MEMO]

## NOTES FOR CMOS DEVICES

## ① PRECAUTION AGAINST ESD FOR SEMICONDUCTORS

**Note:** Strong electric field, when exposed to a MOS device, can cause destruction of the gate oxide and ultimately degrade the device operation. Steps must be taken to stop generation of static electricity as much as possible, and quickly dissipate it once, when it has occurred. Environmental control must be adequate. When it is dry, humidifier should be used. It is recommended to avoid using insulators that easily build static electricity. Semiconductor devices must be stored and transported in an anti-static container, static shielding bag or conductive material. All test and measurement tools including work bench and floor should be grounded. The operator should be grounded using wrist strap. Semiconductor devices must not be touched with bare hands. Similar precautions need to be taken for PW boards with semiconductor devices on it.

## ② HANDLING OF UNUSED INPUT PINS FOR CMOS

**Note:** No connection for CMOS device inputs can be cause of malfunction. If no connection is provided to the input pins, it is possible that an internal input level may be generated due to noise, etc., hence causing malfunction. CMOS device behave differently than Bipolar or NMOS devices. Input levels of CMOS devices must be fixed high or low by using a pull-up or pull-down circuitry. Each unused pin should be connected to  $V_{DD}$  or GND with a resistor, if it is considered to have a possibility of being an output pin. All handling related to the unused pins must be judged device by device and related specifications governing the devices.

## ③ STATUS BEFORE INITIALIZATION OF MOS DEVICES

**Note:** Power-on does not necessarily define initial status of MOS device. Production process of MOS does not define the initial operation status of the device. Immediately after the power source is turned ON, the devices with reset function have not yet been initialized. Hence, power-on does not guarantee out-pin levels, I/O settings or contents of registers. Device is not initialized until the reset signal is received. Reset operation must be executed immediately after power-on for devices having reset function.



## Regional Information

Some information contained in this document may vary from country to country. Before using any NEC product in your application, please contact the NEC office in your country to obtain a list of authorized representatives and distributors. They will verify:

- Device availability
- Ordering information
- Product release schedule
- Availability of related technical literature
- Development environment specifications (for example, specifications for third-party tools and components, host computers, power plugs, AC supply voltages, and so forth)
- Network requirements

In addition, trademarks, registered trademarks, export restrictions, and other legal issues may also vary from country to country.

### NEC Electronics Inc. (U.S.)

Santa Clara, California  
Tel: 408-588-6000  
800-366-9782  
Fax: 408-588-6130  
800-729-9288

### NEC Electronics (Germany) GmbH

Duesseldorf, Germany  
Tel: 0211-65 03 02  
Fax: 0211-65 03 490

### NEC Electronics (UK) Ltd.

Milton Keynes, UK  
Tel: 01908-691-133  
Fax: 01908-670-290

### NEC Electronics Italiana s.r.l.

Milano, Italy  
Tel: 02-66 75 41  
Fax: 02-66 75 42 99

### NEC Electronics (Germany) GmbH

Benelux Office  
Eindhoven, The Netherlands  
Tel: 040-2445845  
Fax: 040-2444580

### NEC Electronics (France) S.A.

Velizy-Villacoublay, France  
Tel: 01-30-67 58 00  
Fax: 01-30-67 58 99

### NEC Electronics (France) S.A.

Spain Office  
Madrid, Spain  
Tel: 01-504-2787  
Fax: 01-504-2860

### NEC Electronics (Germany) GmbH

Scandinavia Office  
Taebly, Sweden  
Tel: 08-63 80 820  
Fax: 08-63 80 388

### NEC Electronics Hong Kong Ltd.

Hong Kong  
Tel: 2886-9318  
Fax: 2886-9022/9044

### NEC Electronics Hong Kong Ltd.

Seoul Branch  
Seoul, Korea  
Tel: 02-528-0303  
Fax: 02-528-4411

### NEC Electronics Singapore Pte. Ltd.

United Square, Singapore 1130  
Tel: 253-8311  
Fax: 250-3583

### NEC Electronics Taiwan Ltd.

Taipei, Taiwan  
Tel: 02-719-2377  
Fax: 02-719-5951

### NEC do Brasil S.A.

Cumbica-Guarulhos-SP, Brasil  
Tel: 011-6465-6810  
Fax: 011-6465-6829

**FIP and IEBus are trademarks of NEC Corporation.**

**Windows is either a registered trademark or a trademark of Microsoft Corporation in the United States and/or other countries.**

**PC/AT is a trademark of International Business Machines Corporation.**

**HP9000 series 700 and HP-UX are trademarks of Hewlett-Packard Company.**

**SPARCstation is a trademark of SPARC International, Inc.**

**SunOS is a trademark of Sun Microsystems, Inc.**

**NEWS and NEWS-OS are trademarks of Sony Corporation.**

The related documents indicated in this publication may include preliminary versions. However, preliminary versions are not marked as such.

The export of this product from Japan is regulated by the Japanese government. To export this product may be prohibited without governmental license, the need for which must be judged by the customer. The export or re-export of this product from a country other than Japan may also be prohibited without a license from that country. Please call an NEC sales representative.

No part of this document may be copied or reproduced in any form or by any means without the prior written consent of NEC Corporation. NEC Corporation assumes no responsibility for any errors which may appear in this document.

NEC Corporation does not assume any liability for infringement of patents, copyrights or other intellectual property rights of third parties by or arising from use of a device described herein or any other liability arising from use of such device. No license, either express, implied or otherwise, is granted under any patents, copyrights or other intellectual property rights of NEC Corporation or others.

While NEC Corporation has been making continuous effort to enhance the reliability of its semiconductor devices, the possibility of defects cannot be eliminated entirely. To minimize risks of damage or injury to persons or property arising from a defect in an NEC semiconductor device, customers must incorporate sufficient safety measures in its design, such as redundancy, fire-containment, and anti-failure features.

NEC devices are classified into the following three quality grades:

"Standard", "Special", and "Specific". The Specific quality grade applies only to devices developed based on a customer designated "quality assurance program" for a specific application. The recommended applications of a device depend on its quality grade, as indicated below. Customers must check the quality grade of each device before using it in a particular application.

Standard: Computers, office equipment, communications equipment, test and measurement equipment, audio and visual equipment, home electronic appliances, machine tools, personal electronic equipment and industrial robots

Special: Transportation equipment (automobiles, trains, ships, etc.), traffic control systems, anti-disaster systems, anti-crime systems, safety equipment and medical equipment (not specifically designed for life support)

Specific: Aircrafts, aerospace equipment, submersible repeaters, nuclear reactor control systems, life support systems or medical equipment for life support, etc.

The quality grade of NEC devices is "Standard" unless otherwise specified in NEC's Data Sheets or Data Books. If customers intend to use NEC devices for applications other than those specified for Standard quality grade, they should contact an NEC sales representative in advance.

Anti-radioactive design is not implemented in this product.