
 ProXO XP and ProXO+ XT Family Evaluation Board

This user manual is designed to help customers evaluate the ProXO XP and ProXO+ XT family of products using the ProXO XP Evaluation Board.

Contents

1. Overview	1
2. Kit Contents	1
3. Features	1
4. ProXO XP and ProXO+ XT Family Evaluation Board	2
5. Interfacing	3
6. Usage Guide	3
6.1 Operating Instructions	3
7. Schematics	4
8. Glossary	6
9. Ordering Information	6
10. Revision History	6

1. Overview

This user manual explains the board layout and settings while guiding the user through the [Timing Commander™](#) Software. When the board is connected to the software via USB, the ProXO device can be configured and programmed to generate a wide range of frequency combinations.

2. Kit Contents

- Evaluation board
- USB cable for connecting the board to a personal computer

3. Features

- The XP evaluation board has an XP series ProXO assembled that can be programmed to operate as any part number in the XP/XT series
 - The ProXO XT uses the same XP evaluation board but with an XT module assembled
- The evaluation board connects to a personal computer through USB and is both programmed and powered from USB
- Use [Timing Commander](#) software to develop configurations and program the configurations to the ProXO
- The evaluation board has several jumpers allowing the user to:
 - Choose a power supply voltage between 3.3V, 2.5V, and 1.8V
 - Choose output termination configurations for LVDS, LVPECL, HCSL, or CML logic
 - Control the Output Enable (OE) pin

- Use JP1 jumpers to connect the ProXO to the on-board USB-to-I2C bridge or connect the ProXO to an alternative external I2C host (e.g., Aardvark adapter)
- SMA edge connectors allow for direct connection of the AC coupled clock to test equipment like oscilloscopes or phase noise equipment
- The ProXO Timing Commander personality file can be downloaded from either the [XP](#) or [XT](#) product pages
 - The personality file can control both XP and XT type modules. Ensure to select either XP or XT in the GUI.

4. ProXO XP and ProXO+ XT Family Evaluation Board

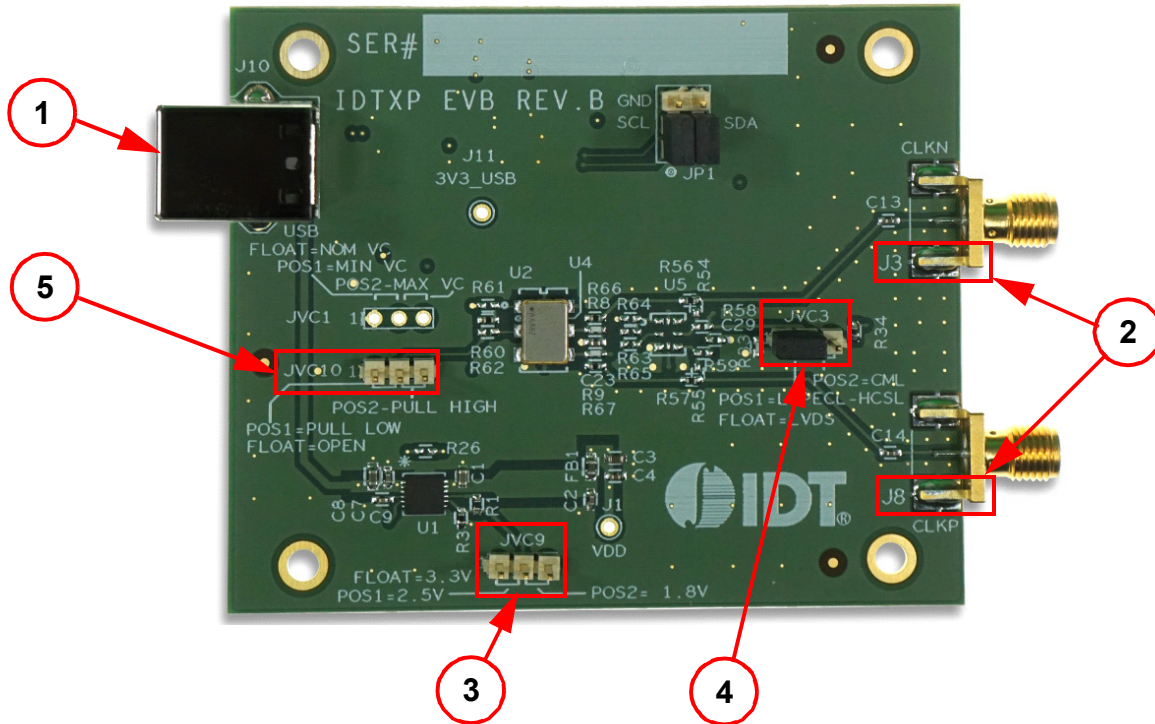


Figure 1. ProXO XP and ProXO+ XT Family Evaluation Board (refer to [Table 1](#))

Table 1. Evaluation Kit Connection Descriptions (refer to [Figure 1](#))

Item Number	Name	On-board Connector Label	Function
1	USB Connector	J10	Connect USB to a Personal Computer to control the ProXO device with Timing Commander. The USB port will also supply power to the board.
2	Differential Output	J3, J8	Available logic types: LVDS, LVPECL, HCSL, and CML.
3	Power Supply Voltage Selector	JVC9	Place jumper to the right for 1.8V. Place jumper to the left for 2.5V. No jumper (floating) for 3.3V.
4	Output Termination Selector	JVC3	Place jumper to the right for CML. Place jumper to the left for LVPECL and HCSL. No jumper (floating) for LVDS.
5	Output Enable Selector	JVC10	Place jumper to pull low or high. No jumper (floating) will always enable the output.

5. Interfacing

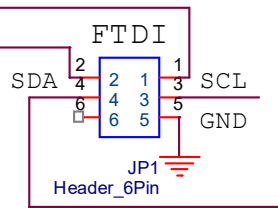


Figure 2. Interfacing with a Computer to Run Timing Commander

JP1 controls the routing of I2C signals. Pins 1 and 2 connect to the on-board FTDI USB to I2C bridge, and pins 3 and 4 connect to I2C pins of the ProXO device.

Place jumpers on pins 1 and 3, and pins 2 and 4 to allow the FTDI chip to control the ProXO device.

Remove jumpers and connect to pins 3, 4, and 5 to control the ProXO device from an external I2C controller. An Aardvark adapter will connect directly onto pins 3, 4, and 5.

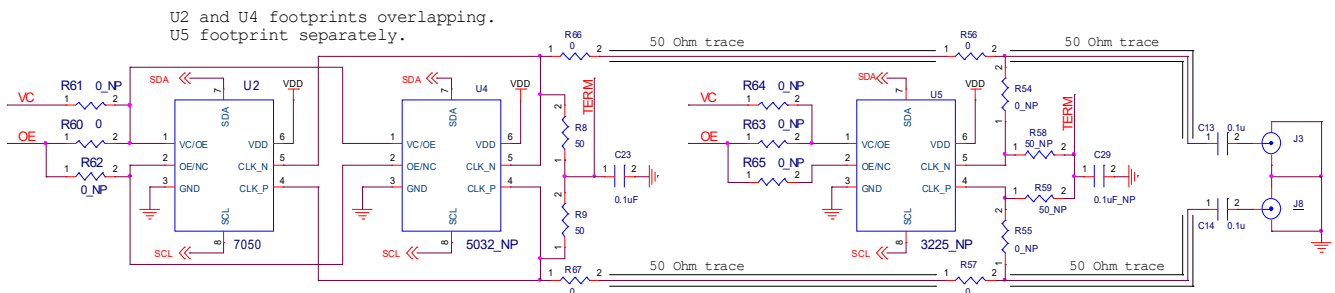


Figure 3. Output Terminations

The differential output has a pair of SMA connectors to connect to 50Ω coax. It is recommended to combine the two signals using a balun or splitter/combiner device when measuring jitter or phase noise. The circuit at the SMA connectors is shown in Figure 3.

6. Usage Guide

6.1 Operating Instructions

1. Set all jumpers for power supply choices.
2. Connect the USB.
3. Start Timing Commander.
 - Start new configuration or load TCS file for existing configuration.
 - Choose ProXO Personality.
 - Select the ProXO type – XP or XT.
 - In case of a new configuration, prepare all settings.
 - Click the button with the IC symbol to connect to the ProXO device.
 - Click the button with the arrow pointing at the IC symbol to write all settings to the ProXO device.
 - It should now be possible to measure clocks on outputs.
 - While connected, each change to settings will be written to the ProXO immediately and can be observed at the clock outputs.

7. Schematics

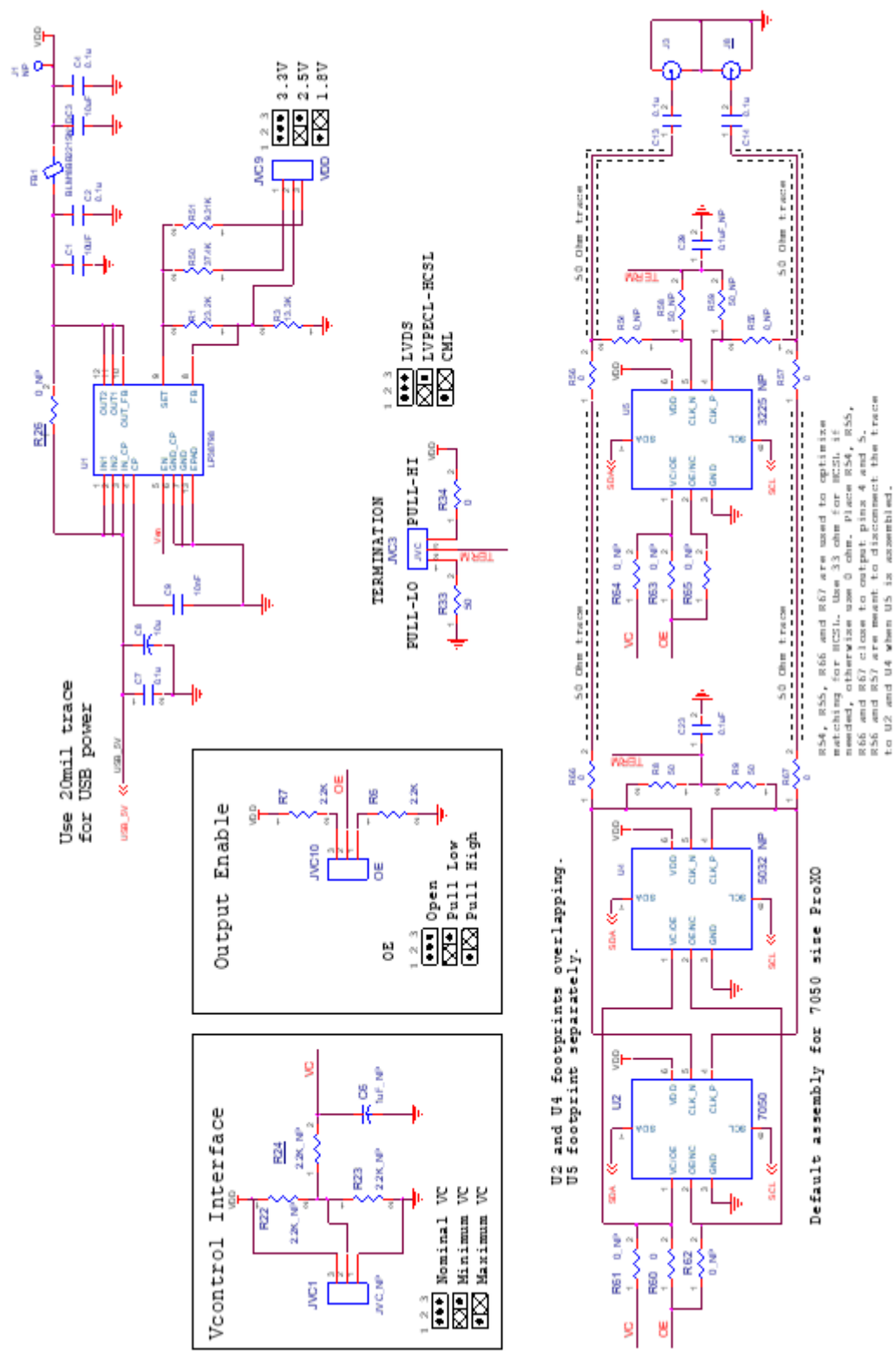


Figure 4. Evaluation Board Schematic 1

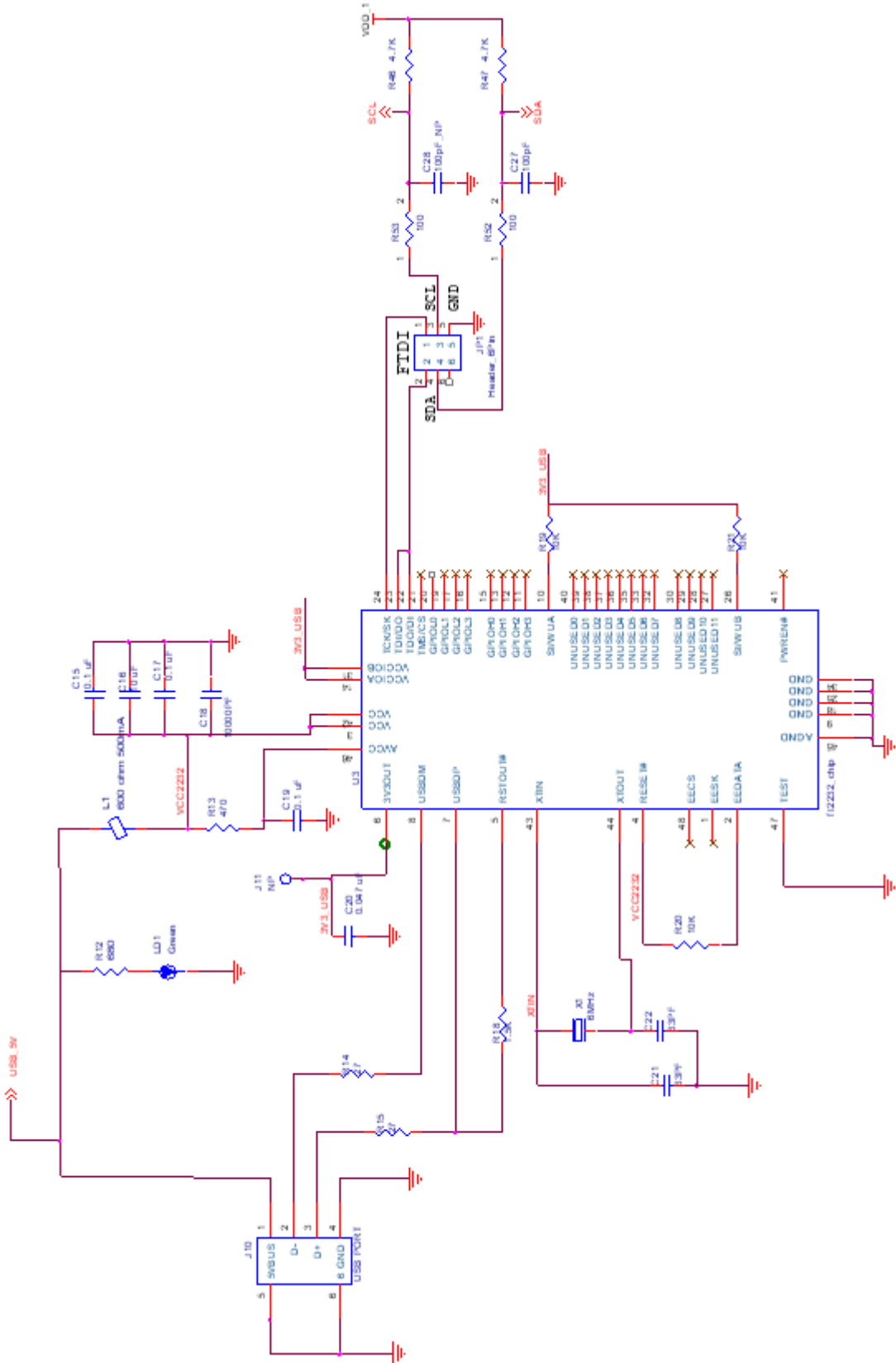


Figure 5. Evaluation Board Schematic 2

8. Glossary

Table 2. Glossary of Terms

Term	Definition
Bit Set	A single variable stored within the registers of the device. A bit set can use only part of a register or many span multiple registers but is thought of as a single field. For example, a 20-bit output divider ratio can be defined as a single bit set of length 20 bits but can be stored in Register 0x4A, bits [3:0], Register 0x4B, bits [7:0] and Register 0x4c, bits [7:0].
Default Value	When referring to any field that the user can edit, Default Value means the value recommended by the personality for that field, considering the settings in other fields in the device. Changes of other fields can result in a change to the Default Value. Whenever a field is unlocked, Default Value = Value. Only by locking a field can a user set a field to a Value other than the Default Value or prevent a field's Value from changing if Default Value changes.
Display Value	A field can be controlled by a personality to display its Value or Default Value in a more meaningful way. For example, if the Value is defined in MHz but the actual value is 0.008MHz, the personality can choose to display this to the user as 8KHz. In another example, if a bit set represents a divider ratio that can only be an even number and so does not implement the Least Significant bit, the personality can choose to show a divider ratio of 2 when the bit set value is 1 (i.e., 1 increment of divide-by-2).
Timing Commander Software	Executable file that will execute a personality, connect to a timing chip on an evaluation board, and read or write Settings files.
Metadata	Variable used within the personality but not stored directly in device registers. For example, an output frequency is generally not stored anywhere in a device's registers but must be known to calculate register settings for the device with which we achieve those frequencies.
Personality	Encrypted file with an extension .tcp. Used by Timing Commander Software to determine the characteristics for a specific family of timing devices. A personality file can refer to a single device or an entire family of similar devices. Please contact Renesas to obtain the most current version of a personality file for the devices of interest.
Settings File	Text file with extension .tcs. Written or read by Timing Commander Software to save or restore a setup for a specific version of a device personality and version of Timing Commander Software. Settings files created with newer versions of Timing Commander Software or a device personality cannot be compatible when read into an older version of Timing Commander Software, or, if an older version of the personality is installed. Forward compatibility (older settings files read by newer software and/or personality) will be maintained.
Tooltip	Context-sensitive pop-up that appears briefly as the mouse pointer hovers over an icon or element on the screen. These are intended to provide useful information about the specific selected item.
Value	When referring to any field that the user can edit, Value means the current internally-represented value of that field.

9. Ordering Information

Orderable Part Number	Description
XP-EVK	Evaluation Board for ProXO XP series.
XT-EVK	Evaluation Board for ProXO XT series.

10. Revision History

Revision	Date	Description
1.00	Sep 7, 2021	Initial release.

IMPORTANT NOTICE AND DISCLAIMER

RENESAS ELECTRONICS CORPORATION AND ITS SUBSIDIARIES (“RENESAS”) PROVIDES TECHNICAL SPECIFICATIONS AND RELIABILITY DATA (INCLUDING DATASHEETS), DESIGN RESOURCES (INCLUDING REFERENCE DESIGNS), APPLICATION OR OTHER DESIGN ADVICE, WEB TOOLS, SAFETY INFORMATION, AND OTHER RESOURCES “AS IS” AND WITH ALL FAULTS, AND DISCLAIMS ALL WARRANTIES, EXPRESS OR IMPLIED, INCLUDING, WITHOUT LIMITATION, ANY IMPLIED WARRANTIES OF MERCHANTABILITY, FITNESS FOR A PARTICULAR PURPOSE, OR NON-INFRINGEMENT OF THIRD-PARTY INTELLECTUAL PROPERTY RIGHTS.

These resources are intended for developers who are designing with Renesas products. You are solely responsible for (1) selecting the appropriate products for your application, (2) designing, validating, and testing your application, and (3) ensuring your application meets applicable standards, and any other safety, security, or other requirements. These resources are subject to change without notice. Renesas grants you permission to use these resources only to develop an application that uses Renesas products. Other reproduction or use of these resources is strictly prohibited. No license is granted to any other Renesas intellectual property or to any third-party intellectual property. Renesas disclaims responsibility for, and you will fully indemnify Renesas and its representatives against, any claims, damages, costs, losses, or liabilities arising from your use of these resources. Renesas' products are provided only subject to Renesas' Terms and Conditions of Sale or other applicable terms agreed to in writing. No use of any Renesas resources expands or otherwise alters any applicable warranties or warranty disclaimers for these products.

(Disclaimer Rev.1.01 Jan 2024)

Corporate Headquarters

TOYOSU FORESIA, 3-2-24 Toyosu,
Koto-ku, Tokyo 135-0061, Japan
www.renesas.com

Trademarks

Renesas and the Renesas logo are trademarks of Renesas Electronics Corporation. All trademarks and registered trademarks are the property of their respective owners.

Contact Information

For further information on a product, technology, the most up-to-date version of a document, or your nearest sales office, please visit www.renesas.com/contact-us/.