

ISL5585EVAL4

ISL5585EVAL4 Evaluation Board User's Guide

AN1168
Rev 1.00
Jan 24, 2005

Introduction

The ISL5585EVAL4 evaluation board provides a complete PCM to 2W Ringing SLIC/CODEC line card for the evaluation of the RSLIC18 family of 5V and 3.3V Ringing SLICs (RSLIC). The evaluation board is designed to accommodate both the HC55185 5V and the ISL5585 3.3V and includes companion 5V and 3.3V CODECs from Winbond.

Key Features

The evaluation board is designed to allow individual testing of the RSLIC, or the CODEC. With the correct choice of jumpers, the analog interface between the RSLIC and CODEC can be established, allowing a complete A-D and D-A evaluation of the RSLIC - CODEC chip-set. The digital interface has the capability of direct connection to an external PCM bus, or to a PCM4 for measurement. The evaluation board includes an on-board oscillator/counter to generate the CODEC MCLK and frame sync signals so that 2 evaluation boards can share a common PCM bus to implement a full-duplex A-A evaluation system.

The following telephony BORSCHT functions are supported by the evaluation board:

- Battery Feed including DC loop feed and current limit
- Overvoltage protection
- Ring signal amplification and 2W injection
- Loop supervision including loop start, ground start and ring trip
- CODEC analog to PCM transmission with selectable A-law and mu-law coding
- Jumper selectable AC and hybrid gain compensation for the user's choice of the 5V or 3.3V SLIC/CODEC chip-sets
- Digital and analog loopback

Related Documentation

- HC55185 5V RSLIC data sheet (Intersil)
- ISL5585 3.3V RSLIC data sheet (Intersil)
- W6810 5V single channel CODEC (Winbond)
- W68131 3.3V single channel CODEC (Winbond)
- AN9842: Implementing Tip and Ring Protection Circuitry for the HC55185 Ringing SLIC Family (Intersil)

Scope and Organization

The scope of the user's guide is limited to the operation of the evaluation board that pertains to the PCM to 2W AC transmission circuits. Theory of operation and the AC transmission design equations are included to enable the user to adapt the performance to meet his specific needs. The operation of the remaining BORSCHT functions supported by the evaluation board can be found in the document references.

The user's guide is organized into 3 sections as follows:

Section 1: Description, Set-up and Operation

This section contains information to familiarize the user with the physical layout, jumper and connector descriptions, external power source requirements, I/O descriptions, and a description of the evaluation board test capability.

Section 2: DC Functionality and AC Test Set-up

This section contains test instructions for the following:

- DC functional tests after power-up,
- individual RSLIC and CODEC AC transmission testing
- half-channel PCM to 2W testing.
- dual-board, full-channel A-A test set-up

Section 3: AC Transmission Theory and Design

This section contains the AC transmission theory and the design equations for the RSLIC/CODEC PCM to 2W half-channel implemented on the evaluation board. Appendices A and B contain the AC gain block diagram and equations followed by the evaluation board schematic and BOM.

SECTION 1: Description, Set-up, and Operation

Getting Started

Your evaluation kit contains the following hardware.

1. One ISL5585EVAL evaluation board.
2. 3.3V RSLIC/CODEC chip-set: ISL5585 + W68131.
3. 5V RSLIC/CODEC chip-set: HC55185 + W6810.

4. One PLCC extraction tool.
5. One cable assembly with multi colored conductors.
6. One cable assembly with solid white conductors.
7. PCB jumpers.

The evaluation board should have the same appearance as shown in Figure 1.

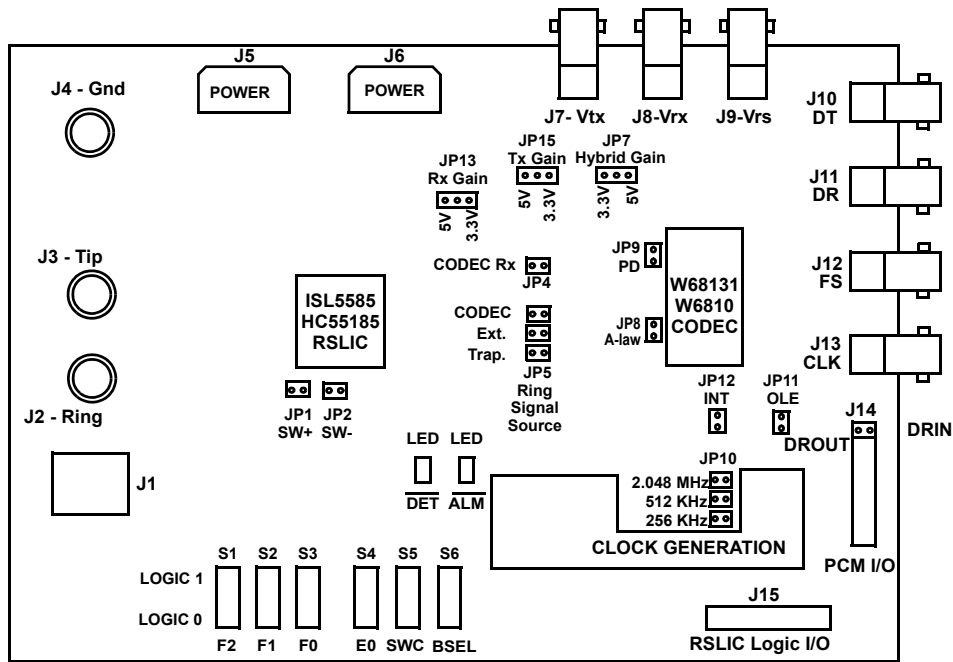


FIGURE 1. EVALUATION BOARD LAYOUT

TABLE 1. EVALUATION BOARD JUMPER DEFINITIONS

JUMPER	DESCRIPTION
JP1	Connects SW- directly to the RSLIC Ring terminal. Used in conjunction with external load D_{TA} and R_{TA} .
JP2	Connects the SW+ D_{TA} diode + R_{TA} resistor load to the RSLIC Tip terminal.
JP4	Connects the receive output of the CODEC (U6) to the RSLIC receive input (VRX). Path is AC coupled with C_{RX} .
JP5	Position 1, CODEC: Connects the CODEC receive output to the device ringing input. Path is AC coupled by C_{RS} .
	Position 2, EXT: Connects the VRS connector J9 to the device ringing input. Path is AC coupled by C_{RS} .
	Position 3 TRAP: Connects the VRS connector J9 thru RC network to the device ringing input. Path is AC coupled.
JP7	Selects the 5V or 3.3V chip-set Hybrid Gain of the CODEC, AC coupled by C_1 .
JP8	Inserting jumper sets the CODEC to A-law coding. Open sets the CODEC to μ -law coding.
JP9	Inserting jumper powers down the CODEC. Open provides normal CODEC operation.
JP10	Position 1: Sets the CODEC master clock to 2.048MHz when the internal clock generator is used.
	Position 2: Sets the CODEC master clock to 512kHz when the internal clock generator is used.
	Position 3: Sets the CODEC master clock to 256kHz when the internal clock generator is used.
JP11	Enables the on board clock generator. Should be installed for single board or back to back evaluations when no external clock generation is available. Remove when driving BNCs J10 thru J13 with PCM4 or other PCM interface with external CLK.
JP12	Inserting jumper selects on board clock and frame sync generator. Insert to configure board as master for back to back evaluations or for single board evaluations. Remove to configure board as slave for back to back evaluations.
JP13	Selects Rx Gain for 5V or 3.3V RSLIC/CODEC chip-set.
JP15	Selects Tx Gain for 5V or 3.3V RSLIC/CODEC chip-set.

Power Requirements:

The multi-colored cable supplies the power from the external supplies to the evaluation board through connector J5. For complete channel testing with 2 evaluation boards, a duplicate connector, J6, is provided to power the second board from the first board using the white cable provided.

The evaluation board does not contain power supply protection so care must be used to ensure that the power supply connections and voltages are correct before applying power.

Power supply tests points are provided on the evaluation board.

External Power Supply Requirements

1. Vcc (red) and +5V (green): Vcc powers the RSLIC, CODEC, LEDs and the on board clock generator. The +5V supply provides the logic power to RSLIC control switches S1 through S6. Both Vcc and +5V can be powered from the same supply.
 - HC55185/W6810: +5V @ 50mA per board and +5V.
 - ISL5585/W68131: +3.3V @ 50mA per board.
2. Vbh (orange): RSLIC Ring voltage supply and surge protection reference voltage (ISL5585 and HC55185)
 - -70V to -100V DC @ 100mA per board; -100VDC recommended
3. Vbl (yellow): RSLIC loop feed supply (ISL5585 and HC55185)
 - -19V to -60VDC @ 50mA per board; -28V recommended

Line Card State Control

RSLIC Logic I/O Toggle Switches

Toggle switches S1 thru S6, control the logic I/O of the RSLIC and are labeled with the control signal name. The RSLIC operating modes are controlled by F2, F1, and F0 as shown in Table 2.

The switch E0 selects the switch hook (E0 = 1) or the ground key detector (E0 = 0) to appear at $\overline{\text{DET}}$. During ringing, the device overrides E0 and sends the ring trip detector to $\overline{\text{DET}}$. Switch $\overline{\text{SWC}}$ turns on the uncommitted switch when set to a logic low. Switch BSEL, selects the high battery when set to logic high.

A logic I/O header, J15, is provided to enable external digital control of the RSLIC I/O. The logic switches should be set to the center-off position when accessing the I/O through the J15 header.

Refer to the specific RSLIC data sheet for detailed description of operating states.

TABLE 2. RSLIC OPERATING MODES

OPERATING MODE	F2	F1	F0
Low Power Standby	0	0	0
Forward Active	0	0	1
Unbalanced Ringing	0	1	0
Reverse Active	0	1	1
Ringing	1	0	0
Forward Loop Back (Note)	1	0	1
Tip Open	1	1	0
Power Denial	1	1	1

NOTE: The RSLIC should always operate from low battery voltage when using the Forward Loop Back mode.

Single-Board Operation

Description

The stand alone configuration supports separate measurement of the RSLIC or the CODEC. With all the jumper locations open, the devices are isolated from each other. All other circuitry is powered, but does not interfere with SLIC or CODEC operation.

RSLIC Measurement Set-up

Access to the RSLIC analog 2W output ports is provided by the Tip and Ring terminals, or the RJ11 jack. Test access to the analog 4W and ring signal inputs is provided through the VREC, VTX and VRS BNCs. Except for JP13, all jumper positions should be open. Jumper JP13 is used to select the RSLIC Rx gain depending on the RSLIC under test. The logic control switches and RSLIC status LEDs are active.

RSLIC Measurement Capability

Nearly all AC and DC parameters of the SLIC can be measured using this configuration. Typical RSLIC measurements are listed below. The user should refer to the device data sheet for specific RSLIC parameter values.

1. RSLIC supply currents (CODEC removed).
2. Tip and Ring DC loop voltage and current measurements.
3. Ringing voltage and currents.
4. On hook, off-hook AC gains G_{42} , G_{24} and G_{44} .
5. Other AC parameters such as longitudinal balance.
6. DC loop supervision and ring trip parameters.

Status LEDs

Status LEDs $\overline{\text{DET}}$ and $\overline{\text{ALM}}$ are active. $\overline{\text{DET}}$ is illuminated in response to a DC loop current in excess of the SHD threshold. $\overline{\text{ALM}}$ is illuminated whenever the IC internal temperature exceeds the thermal shutdown temperature threshold. This may happen during a tip or ring fault condition, or if the Fwd Loopback is selected and BSEL is high (to Vbh). Normal device operation should not cause the $\overline{\text{ALM}}$ indicator to light.

TABLE 3. EVALUATION BOARD CONNECTOR DESCRIPTIONS

CONNECTOR	DESCRIPTION
J1	RJ11 type phone connector.
J2	Ring terminal of board.
J3	Tip terminal of board.
J4	Grounding lug connected to board ground plane.
J5	1: V_{CC} . Positive 5V supply to CODEC, RSLICU6, clock generator and logic devices (red wire).
	2: V_{BH} . High negative battery supply to the HC55185 device (orange wire).
	3: V_{BL} . Low negative battery supply to the HC55185 device (yellow wire).
	4: +5V. Positive 5V supply to the RSLIC LED detector output indicators (green wire).
	7 thru 10: GND. Twisted pair returns for external supply connections (black wires).
J6	Identical pinout as J5. Either connector provides daisy chain connection to second board for back to back evaluation.
J7	Transmit analog output from the RSLIC device, VTX. This path is AC coupled and can be used to measure G2-4W of the RSLIC. The A-D Tx path of the CODEC can be measured using VTX as the signal input, but the RSLIC must be removed due to the loading effect of the low impedance VTX output.
J8	Receive analog input to the RSLIC, VREC. This path is AC coupled and can be used to measure G4-2W of the RSLIC. Jumper JP4 must be removed to disconnect the low impedance CODEC output. J8 can also be used to measure the D-A Rx gain of the CODEC by re-inserting jumper JP4.
J9	Ring input to HC55185 device, VRS. This path is AC coupled by C_{RS} .
J10	Serial transmit data output of CODEC U6.
J11	Serial receive data input to CODEC U6.
J12	Common frame sync input for receive and transmit digital data.
J13	Common clock for CODEC data transfer and conversion.
J14	20 pin, 100 mil spacing header with all digital PCM data interfaces to CODEC U6.
J15	20 pin, 100 mil spacing header with all digital interfaces to the RSLIC.

CODEC Measurement Set-up

Test access to the CODEC digital I/O is provided by connectors J10, J11, J12, and J13. Test access to the CODEC analog ports is provided by inserting jumper JP4 to connect the VREC connector to the CODEC analog Rx output, and by inserting jumper JP15 to the correct Tx gain setting for the CODEC under test. The RSLIC should be removed during CODEC testing otherwise unwanted loading of the CODEC analog Tx input signal could result. This set-up is summarized in Table 8.

CODEC Measurement Capability

The user should refer to the device data sheet for correct parameter values.

CODEC measurements include:

1. CODEC supply current (RSLIC removed).
2. A-D, D-A gain and frequency parameters.
3. A-law, mu-law companding measurements (JP8).
4. Power down measurements (JP9).

SECTION 2: DC Functionality and AC Performance Testing

TABLE 4. EVALUATION BD. DC TEST VOLTAGES

<i>Tip and Ring Voltages (Volts) - Tip to Ring Open Circuit; Vbl = -28V; Vbh = -100V</i>					DC Values ($\pm 20\%$)	
OPERATING MODE	F2, F1, F0	E0	SWC	BSEL	TIP TO GND	RING TO GND.
Low Power Standby	0, 0, 0	x	1	1	-0.6V	-49V
Forward Active	0, 0, 1	x	1	0	-4.0V	-19.4V
Unbalanced Ringing	0, 1, 0	n/a	n/a	n/a	-0.6V	-50V
Reverse Active	0, 1, 1	x	1	0	-19.4V	-4.0V
Ringing	1, 0, 0	x	1	1	-50V	-50V
Forward Loop Back	1, 0, 1	x	1	0	-4.4V	-19V
Tip Open	1, 1, 0	x	1	1	Float	-49V
Power Denial	1, 1, 1	x	1	x	Float	Float
Uncommitted Switch ($\overline{\text{DET}}$ LED on)	0, 0, 1	1	0	0	-12.4V	-15.2V

DC Power-up Testing

After correct initial power-up, the DC tests measurements shown in table 4 should be performed to verify proper operation prior to performing the tests that follow.

Uncommitted Switch DC Test

When the jumpers JP1 and JP2 are installed, the uncommitted switch is connected across Tip and Ring. The test load of diode D_{TA} and resistor R_{TA} (100Ω) will connect across the Tip and Ring terminals when the uncommitted switch is turned on. The DC load will cause a DC loop current flow at the loop current limit value of 25mA, resulting in a switch hook detect indication by the $\overline{\text{DET}}$ LED. The DC test load is a convenient method of checking the DC operation of the RSLIC, however, operating the test load with BSEL at Vbh (BSEL = 1) can cause excessive heating of the RSLIC, causing thermal shutdown as indicated by the $\overline{\text{ALM}}$ LED.

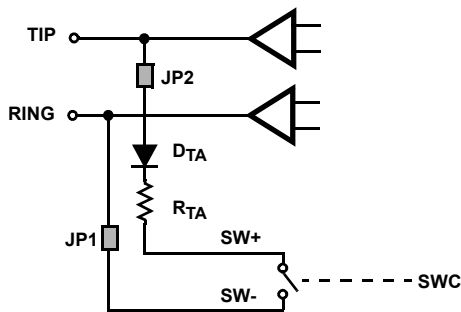


FIGURE 2. TEST LOAD SWITCHING

RSLIC Ringing Tests

Description

The ringing configuration supports full evaluation of the ringing capability of the ISL5585 and HC55185 devices. The evaluation board design does not include a ring signal generator. Ring signals can be provided with an external generator through the VRS BNC connector, or can be sourced through the CODEC by inserting jumper JP5 - CODEC.

Operation of the RSLIC in the ringing mode results in dangerous voltages appearing at the tip and ring terminals. Extra care is required when connecting external equipment to the tip and ring terminals during testing to prevent personnel injury and equipment damage.

Jumper Settings

The jumper JP5 provides three positions for different ringing techniques.

TABLE 5. JP5 JUMPER POSITIONS

JP5 POSN	DESCRIPTION
CODEC	Connects the CODEC receive output to the device ringing input. Signal path is AC coupled.
EXT	Connects the VRS connector J9 to the device ringing input. Signal path is AC coupled.
TRAP	Connects the VRS connector J9 thru RC network to the device ringing input. Signal path is AC coupled.

CODEC Ringing

Most test equipment designed to evaluate the CODEC PCM interface are capable of output frequencies as low as 20Hz. If such a piece of equipment is available, then CODEC ringing can be evaluated. The digital interface to the CODEC is provided by the BNC connectors J10 thru J13. Verify JP11

is open prior to driving signals into the BNC connectors. An output level of 0dBm from the CODEC is required to provide full scale ringing when operating from -100V battery.

External Ringing Source

Using an external function generator at J9 provides the most control of the ringing waveform. The flexibility of the ringing interface can be fully exercised by the function generator.

Trapezoidal Ringing

A logic level square wave, at J9, with 50% duty cycle will be shaped by the components R_{TRAP} and C_{TRAP} when this jumper position is selected. The components shipped with the evaluation board will result in a $75V_{RMS}$ trapezoidal ringing waveform when operating from a -100V battery.

Ring Trip Control

Three very distinct actions occur when the device detects a ring trip. First, the \overline{DET} output is latched low. The latching mechanism eliminates the need for software filtering of the detector output. The latch is cleared when the operating mode is changed externally. Second, the VRS input is disabled, removing the ring signal from the line. Third, the device is internally forced to the forward active mode, however, low battery is not automatically selected upon ring trip, and must be switched manually using the BSEL toggle switch.

AC Transmission Tests

Description

Tests of the AC transmission parameters of the SLIC and the CODEC can be performed individually, or as a complete 2W to PCM line circuit. Jumpers are used to complete the analog signal interface between the RSLIC and the CODEC as shown in Table 3. The RSLIC and CODEC gain equations and target values are contained in Section 3: AC Transmission Theory and Design.

Test Set-up for RSLIC and CODEC Gains

Basic tests of the RSLIC and CODEC AC gain parameters can be performed using a signal generator and standard AC voltmeters, or a complete suite of PCM4 tests can be performed on the RSLIC and the CODEC separately. The RSLIC PCM4 tests use the A-A tests. The CODEC R_X and T_X gain tests use the PCM4 A-D and D-A tests.

For RSLIC gain tests, the R_X AC test input is connected to the VREC BNC (RSLIC receive input) and the 2W AC test output is measured at the tip-ring terminals. The RSLIC analog 4W transmit output is measured at the VXMIT BNC. A summary of RSLIC and CODEC tests is provided in Table 8.

The following analog input and output characteristics must be considered when performing AC testing.

RSLIC analog I/O:

- Rx input impedance (VREC) is $>30k\Omega$, and is AC coupled.
- Tip to ring AC impedance is 600Ω . A DC potential of up to 48VDC is present. AC coupling is required.
- Tx output impedance (at VXMIT) is $<10\Omega$; AC coupled.

CODEC analog I/O

- Tx input (at VXMIT) is $>50k\Omega$, DC coupled.
- Rx output (at VREC) is $<20\Omega$, DC coupled.

Care must be given to the proper selection of analog impedances on the PCM4 analog R_X and T_X ports when performing PCM4 AC gain tests.

PCM4 Set-up

Analog PCM4 testing of the RSLIC parameters is performed using the analog I/O on the front panel. CODEC A-D and D-A testing with the PCM4 requires the use of the digital I/O connections to the evaluation board as indicated in the table below.

TABLE 6. PCM4 DIGITAL I/O CONNECTION

PCM4 DIGITAL PORT	EVALUATION BOARD DIGITAL PORT
Rx Signal	J10 - DT
Tx Signal	J11 - DR
Frame Sync	J12 - F.S.
Tx Clock	J13 - CKL

Front panel cable lengths should be equal, and should be as short as possible to prevent delay-induced errors.

The PCM4 General Parameter settings in the following table should be used to configure the digital interface to the CODEC prior to D-A and A-D testing.

TABLE 7. PCM4 GENERAL PARAMETER SETTINGS

PCM4 GENERAL PARAMETER	SETTING
1 - DIGITAL CONFIGURATION	11, 23
2 - FRAME SELECTION	14, 24, 31
3 - DIGITAL TX INTERFACE	13, 22, 31
4 - DIGITAL RX INTERFACE	13, 22
5 - DIGITAL WORDS IN TX FRAME	11, 22
6 - TX ERROR INSERTION	11
7 - PCM ENCODING (A-law)	11, 21
8 - SCANNER PARAMETER	11, 21
9 - SPECIAL PARAMETER	11, 13, 16, 22, 23, 27, 33, 35

TABLE 8. INDIVIDUAL TESTS OF THE RSLIC AND THE CODEC AC GAIN PATHS

RSLIC AC Testing - Jumper Selection (All jumpers removed except as indicated)				
AC Test	Install Jumpers	AC Signal Input	AC Signal Output	Measurement Results and Remarks
G ₄₂	None	0dB at VREC	Tip to Ring	Measured value per design tables A1 or B1
G ₄₄	None	0dB at VREC	VXMIT	Insert 600Ω termination resistor from Tip to Ring; Measured value per design tables A1 or B1
G ₂₄	None	0dB at Tip/ring	VXMIT	Signal generator source impedance = 600Ω; Measured value per design tables A1 or B1
CODEC AC Testing - Jumper Selection (All jumpers removed except as indicated)				
Tx to PCM	JP8	JP5(3.3V or 5V)	VMXIT	Remove RSLIC to prevent input loading; Measured value per CODEC data sheet
PCM to Rx	JP4, JP8	PCM Tx digital input	VREC	Measured value per CODEC data sheet

Half-channel A-D and D-A PCM4 Testing

Description

The evaluation board is designed for 0dB gain, PCM to 2W (D-A, Rx) and 2W to PCM (A-D, Tx) transmission paths. These gains are established by the RSLIC gain resistor values on the evaluation board. The CODEC D-A and A-D gains are fixed to the values defined in the specific CODEC data sheet. A detailed description of the AC Transmission gain paths and equations is provided in Section 3.

The PCM4 configuration verifies the AC A-D and D-A transmission of the 5V or 3.3V RSLIC/CODEC chip-set. Any piece of test equipment capable of PCM testing with digital and analog interfaces can be used in this configuration.

Jumper Settings

All jumper settings and functions are described below. All other jumpers should be removed.

TABLE 9. A-D AND D-A TEST JUMPER POSITIONS

JUMPER	DESCRIPTION
JP4	Connects the receive output of the CODEC (U6) to the RSLIC receive input VRX. Signal path is AC coupled.
JP8	Inserting jumper set the CODEC to A-law coding. Open sets the CODEC to μ -law coding. This must match PCM test equipment coding scheme for proper operation.
JP13	Selects Rx Gain for 5V or 3.3V RSLIC/CODEC chip-set.
JP15	Selects Tx Gain for 5V or 3.3V RSLIC/CODEC chip-set.
JP7	Selects the 5V or 3.3V chip-set Hybrid Gain of the CODEC, AC coupled by C ₁ .

Clock and Frame Sync

The clock and frame sync signals are driven at connectors J13 and J12 respectively. The clock input is common to the MCLK, BCLKT and BCLKR of the CODEC. The frame sync input is common to the receive and transmit frame syncs,

FSR and FST, of the CODEC. These connections define synchronous mode of operation.

Digital to Analog

The receive signal path is defined from the CODEC PCM input to the RSLIC 2W Tip and Ring outputs. The PCM4 tester is capable of driving digital test signals on the PCM bus and measuring the resultant analog signal at Tip and Ring. Typical performance measurements include overall loss, gain variation versus frequency, gain versus signal level, THD and 2-wire return loss. In addition, fidelity measurements such as idle channel noise and distortion may also be measured.

Analog to Digital

The transmit signal path is defined from RSLIC 2W Tip and Ring interface to the CODEC PCM output. The same tests performed for the receive path also apply to the transmit path.

Digital to Digital

The digital to digital path is from the CODEC PCM input to the CODEC PCM output. This signal path provides a measure of the trans-hybrid balance for the line circuit with a 600Ω termination at Tip and Ring.

Digital Loop Back Configuration

Description

The digital loop back configuration can be used to verify the interface and operation of the RSLIC/CODEC chip-set. This configuration provides a convenient self-test in the Forward or Reverse active states to verify proper operation of the analog and digital functions of the line circuit. The on-board clock generator eliminates the need for an external PCM4 digital interface, enabling testing with a signal generator, AC voltmeter and scope.

NOTE: Operation of the clock oscillator and logic may be marginal at VCC less than 3.3V.

Digital Loop-back Jumper Settings

Jumper settings and functions are described in Table 10. All other jumpers should be removed.

TABLE 10. DIGITAL LOOP BACK JUMPER POSITIONS

JUMPER	DESCRIPTION
JP8	Optional - selects A-law or mu-law.
JP10, POSN 2	Sets the CODEC master clock to 512kHz.
JP11	Enables the on board logic multiplexer.
JP12	Inserting jumper selects on board clock and frame sync generator.
JP13	Selects Rx Gain for 5V or 3.3V RSLIC/CODEC chip-set.
JP15	Selects Tx Gain for 5V or 3.3V RSLIC/CODEC chip-set.
J14, POSN 1 DROUT to DRIN	Connects the CODEC digital output DT to digital input DR.

Digital Loopback Signal Flow

Driving a signal at VREC, J8, will result in a signal from the CODEC receive output when the RSLIC is terminated at Tip and Ring. The following diagram shows the signal path formed by the jumpers and terminated SLIC.

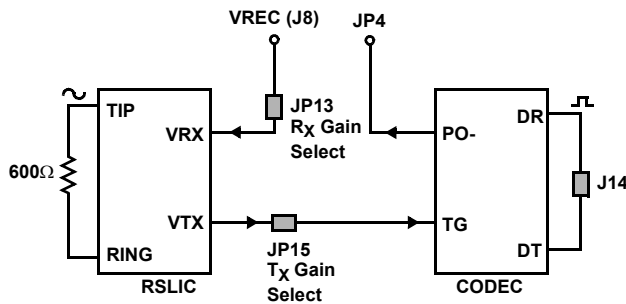


FIGURE 3. DIGITAL LOOP BACK SIGNAL FLOW

The measured gain from the AC input at VREC (J8) to the AC signal output (JP4) is given by the following:

(EQ. 1) $G_{DLB} = G_{44}(\text{RSLIC}) + (G_{TX} + G_{A-D} + G_{D-A})\text{CODEC}$
where;

- G_{DLB} is the digital loop-back gain,
- G_{44} is the RSLIC trans-hybrid gain,
- G_{TX} is the gain set by the CODEC Tx amp gain resistors
- G_{A-D} is the CODEC T_X absolute reference voltage level
- G_{D-A} is the CODEC R_X absolute reference voltage level

The 5V and 3.3V CODECs have different A-D and D-A gains, however, for both CODECs the A-D gain is equal to the D-A gain so that these terms cancel each other. resulting in:

(EQ. 2) $G_{DLB} = G_{44}(\text{RSLIC}) + G_{TX}(\text{CODEC})$

3.3V ISL5585/CODEC Chip Set Digital Loop Back Gain

For the 3.3V chip-set, EQ. 6 becomes:

- $G_{DLB}(\text{3.3V Chip-set}) = G_{44}(\text{ISL5585}) + G_{TX}(\text{CODEC})$, and;

Substituting the G-values contained in the 3.3V AC transmission model gives:

- $G_{DLB}(\text{3.3V Chip-set}) = 0.342\text{dB} + 2.71\text{dB} = 3.05\text{dB}$

The 3.3V CODEC A-D gain is +5dB. Therefore the test AC voltage at J8 should not exceed -5dB (~0.435 Vrms), otherwise clipping may result. With a test signal of 0.1Vrms @ 1kHz applied to J8, the output at JP4 should be 0.142 Vrms.

5V HC55185/CODEC Chip Set Digital Loop Back Gain

For the 5V chip-set, EQ. 6 becomes:

- $G(\text{5V Chip-set}) = G_{44}(\text{HC55185}) + G_{TX}(\text{CODEC})$, and;

Substituting the G-values contained in the 5V AC transmission model gives:

- $G_{DLB}(\text{5V Chip-set}) = -7.63\text{dB} + 7.63\text{dB} = 0\text{dB}$

With a test signal of 0.775Vrms @ 1kHz applied to J8, the output at JP4 should be 0.322Vrms.

The signal levels for digital loop back are independent of the clock selected by JP10.

Dual-board A-A Configuration

Description

Two evaluation boards can be connected in the master-slave configuration shown in Figure 4. The secondary power cable provided connects power from the master board to the slave board. The PCM digital communication interface is established using a ribbon cable (not provided) connecting the J14 connectors of each board.

This configuration establishes a full-duplex analog to analog phone line across a common PCM bus. One board is configured as a master for clock generation and the other is configured as a slave. This PSTN-like configuration can be used for speech communication between two phones, or to perform full channel A-A PCM4 testing.

The ribbon cable used to connect the two boards at J14 also connects the ground planes of the two evaluation boards. Having returns adjacent to the high speed clock edges is critical to reducing board level noise.

If transmission quality is poor verify both master and slave boards are set up for same coding scheme, JP8. In addition, verify the trans-hybrid jumper, JP7, is inserted in both boards. If signal quality still does not improve, verify JP12 of the slave board is not populated.

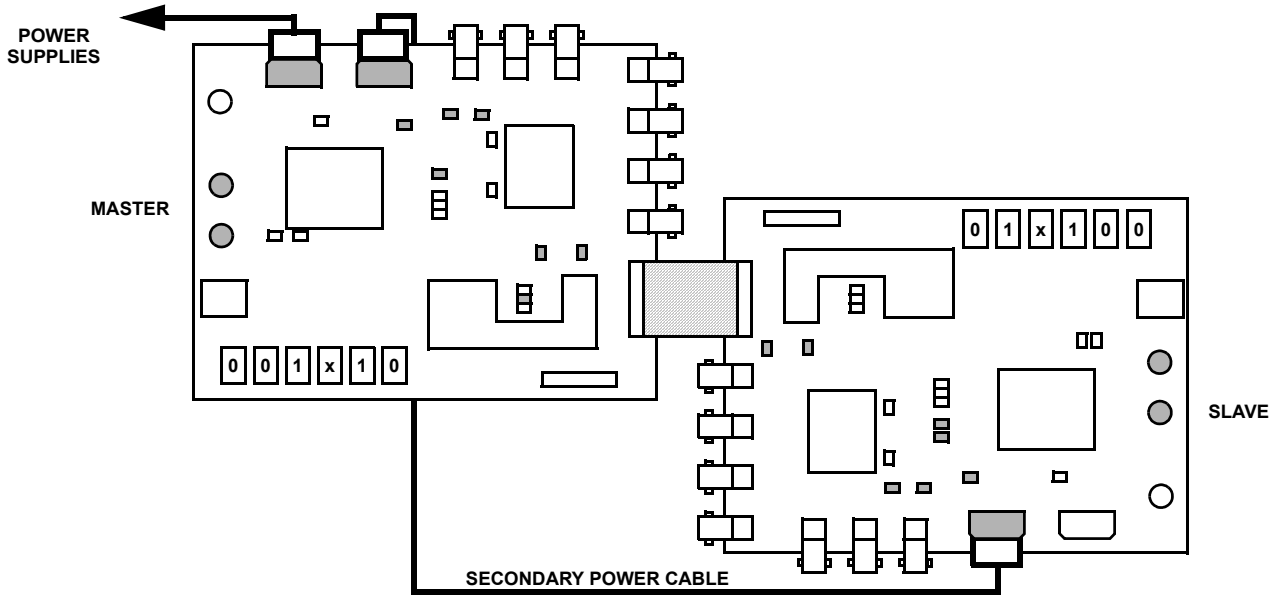


FIGURE 4. FULL CHANNEL A-A CONFIGURATION CONNECTORS AND JUMPERS

Dual-board A-A Jumper Settings

All jumper settings are described in Tables 11A and 11B. All other jumpers should be removed.

TABLE 11A. MASTER BOARD JUMPER POSITIONS

JUMPER	DESCRIPTION
JP4	Connects the receive output of the CODEC (U6) to the RSLIC receive input VRX. Signal path is AC coupled.
JP7	Selects the 5V or 3.3V chip-set Hybrid Gain of the CODEC, AC coupled by C ₁ .
JP13	Selects Rx Gain for 5V or 3.3V RSLIC/CODEC chip-set.
JP15	Selects Tx Gain for 5V or 3.3V RSLIC/CODEC chip-set.
JP10, POSN 2	Sets the CODEC master clock to 512kHz.
JP11	Enables the on board logic multiplexer.
JP12	Configures board as master.

TABLE 11B. SLAVE BOARD JUMPER POSITIONS

JUMPER	DESCRIPTION
JP4	Connects the receive output of the CODEC (U6) to the RSLIC receive input VRX. Signal path is AC coupled.
JP7	Selects the 5V or 3.3V chip-set Hybrid Gain of the CODEC, AC coupled by C ₁ .
JP13	Selects Rx Gain for 5V or 3.3V RSLIC/CODEC chip-set.
JP15	Selects Tx Gain for 5V or 3.3V RSLIC/CODEC chip-set.
JP11	Configures the on board logic multiplexer to receive MCLK and frame sync signals from the master.

SECTION 3: AC Transmission Theory and Design

Introduction

The information in the next section describes the signal flow of the RSLIC and CODEC PCM to 2W transmission circuits. Appendices A and B contain the block diagrams and AC transmission equations needed to tailor the AC transmission parameters to specific user requirements.

The scope is limited to the design of the telephony T_X and R_X voice circuits within the 0.3kHz to 3.4kHz frequency band. The user should refer to the specific RSLIC and CODEC data sheet design equations for all other BORSCHT functions and performance parameters.

General Description (refer to Appendices A and B)

The evaluation board implements a complete half-channel line circuit with the user's choice of fixed gain 5V and 3.3V CODECs interfaced to the appropriate RSLIC. The following AC transmission parameters are set by resistors that control the RSLIC transmission gain paths:

- 2W impedance
- Receive (R_X) D-A gain
- Transmit (T_X) A-D gain
- Transhybrid balance

The RSLIC and associated components implement a voltage-feed, current-sense architecture for setting the above parameters. The receive path begins as PCM code input to the CODEC, which performs the D-A conversion at fixed-gain and supplies the analog receive signal to the RSLIC high impedance $4W V_{RX}$ input. The RSLIC $G_{42} R_X$ amplifier has a fixed inverting voltage gain of -2 (voltage-feed) with a floating differential output at the Tip and Ring terminals.

The $G_{24} T_X$ gain path begins at the RSLIC 2W tip and ring input. The RSLIC provides a termination impedance to the externally applied T_X signal appearing across the Tip and Ring terminals. A pair of series-connected current sense resistors in the RSLIC are connected to a differential sense amplifier that develops a voltage output proportional to the sensed AC signal current. This voltage is applied to the non-inverting input of a second amplifier whose output is summed with the incoming Rx signal from the CODEC, forming the impedance matching circuit. The gain of the second stage is controlled with external feedback resistor (R_s) allowing for adjustment of the level of feedback, and therefore the RSLIC 2W synthesized impedance.

The HC55185 (5V) and ISL5585 (3.3V) RSLICs have the same internal architecture, however, the $G_{42} R_X$ gain paths are connected differently. The HC55185 $G_{42} R_X$ input is at V_{rs} , and the gain is fixed at 0dB. The ISL5585, however, is required to compensate for the 3.3V CODEC attenuation

(i.e. lower 0dBm0 reference level) with a gain increase. This increase in R_X gain is accomplished by injecting the CODEC R_X output at the RSLIC second stage T_X amplifier summing junction input through the external input resistor, R_{in} . Connecting the RSLIC R_X input in this fashion enables the R_X gain to be adjusted to any desired CODEC 0dBm0 reference level and any desired PCM to 2W R_X gain. The HC55185 R_X path may also be configured this way, if RSLIC R_X gains greater than 0dB are needed.

The resistor component values used to set each AC transmission parameter have a strong influence on the remaining parameters. Therefore, an ordered approach is required to complete the setting of all 4 AC transmission parameters. These are described next in the correct order.

RSLIC 2W Impedance Matching

Correct matching of the RSLIC 2W terminal impedance with the load impedance is a requirement before the R_X and T_X gains can be set. There are 2 components that make up the total RSLIC impedance; the protection resistors ($2 \times R_p$) and the synthesized terminal impedance of the RSLIC (Z_O). The impedance matching circuit and design equations are included in Appendices A and B and are identical for both the HC55185 (Table A1) and the ISL5585 (Table B1).

The RSLIC synthesized impedance has a strong dependence on the protection resistance R_p . When performing the impedance calculation, the R_p term should include all resistance elements in series with the RSLIC tip and ring terminals. This is especially important when resistive current limiting devices, such as PTCs, are used.

The evaluation board components provide a 600 Ω impedance using the on-board protection resistor values of 51 Ω in the tip and ring leads.

Receive Gain Path, R_X

The D-A gain of the complete line circuit is the sum of the CODEC D-A gain and the RSLIC $G_{42} R_X$ gain.

R_X Gain for the 3.3V ISL5585 and 3.3V CODEC

The receive gain block diagram and equations for the 3.3V ISL5585 and 3.3V CODEC are contained in Appendix A.

The receive gain path is defined by the following;

$$(EQ. 3) \quad G_{PCM-2W} = G_{RX}(\text{CODEC}) + G_{42}(\text{RSLIC})$$

The 3.3V CODEC receive gain is fixed at -5dB and the overall PCM to 2W gain is set by the ISL5585 RSLIC $G_{42} R_X$ gain according to;

$$(EQ. 4) \quad G_{42} = G_{PCM-2W} - G_{RX}(\text{CODEC})$$

For a G_{PCM-2W} receive gain equal to 0dB, the RSLIC R_X gain is given by:

$$(EQ. 5) \quad G_{42} = 0\text{dB} - (-5\text{dB}) = 5\text{dB}$$

The ISL5585 R_X gain equations are summarized in Table A1, and should be used to calculate component values for receive gains other than the 0dB level implemented on the evaluation board.

R_X Gain for the 5V HC55185 and 5V CODEC

The receive gain path block diagram and equations for the 5V HC55185 and 5V CODEC are contained in Appendix B. The evaluation board is designed for an overall receive gain of 0dB. The gain path equations (EQ. 8, and EQ. 9) apply to this configuration. The evaluation board gain of 0dB and is easily achieved due to the fixed 0dB gain of the RSLIC and the CODEC.

For receive gains other than 0dB, the HC55185 R_X gain path can be configured to that of the ISL5585 as shown in Appendix A. Both the ISL5585 and HC55185 are pin-compatible, and have identical AC transmission gain blocks. When using this alternate configuration with the HC55185, the gain equations for the 3.3V configuration shown in Table 1A will apply.

The overall receive gain has a strong dependence on the RSLIC synthesized impedance and the correct impedance match.

Jumper JP13 selects the R_X configuration and gain for the ISL5585 and HC55185 RSLICs.

Transmit Gain Path, T_X

The transmit gain path circuits for both 3.3V and 5V are the same. However, the gain component values are different due to differences in the Absolute Voltage Reference Level of the 3.3V and 5V CODECs. The transmit gain block diagram and equations for the 3.3V ISL5585 and 3.3V CODEC are contained in Appendix A.

The A-D gain of the complete line circuit is the sum of the CODEC A-D gain and the RSLIC G_{24} T_X gain.

The receive gain path is defined by the following;

$$(EQ. 6) \quad G_{2W-PCM} = G_{24} (\text{RSLIC}) + G_{TX} (\text{CODEC})$$

The 3.3V and 5V RSLICs have the same T_X gain which is fixed at -7.63dB. The CODEC transmit gain path contains 2 gain blocks. An internal T_X op-amp with external gain setting resistors feeds the internal T_X A-D converter. The A-D converter has a fixed conversion gain needed to restore the CODEC Absolute Voltage Reference Level to the 0dBm0 standard value of 0.775V_{rms} at 600Ω, at the PCM bus. The overall line circuit 2W to PCM gain is adjusted using the gain resistors at the input to the CODEC T_X op amp.

The 2W - PCM gain is defined by the following:

$$(EQ. 7) \quad G_{2W-PCM} = G_{24} (\text{RSLIC}) + G_{TX} (\text{op amp}) + G_{A-D} (\text{CODEC})$$

For the ISL:5585 and 3.3V CODEC, the T_X gain needed for an overall gain equal to 0dB is given by:

$$(EQ. 8) \quad G_{TX} (\text{op amp}) = 0\text{dB} - G_{24} (\text{RSLIC}) - G_{A-D} (\text{CODEC}) = 0\text{dB} - (-7.63\text{dB}) - (-5\text{dB}) = 2.63\text{dB}$$

For the HC55185 and the 5V CODEC, the T_X gain needed for an overall gain equal to 0dB is given by:

$$(EQ. 9) \quad G_{TX} (\text{op amp}) = 0\text{dB} - G_{24} (\text{RSLIC}) - G_{A-D} (\text{CODEC}) = 0\text{dB} - (-7.63\text{dB}) - (0\text{dB}) = 7.63\text{dB}$$

The 3.3V and 5V RSLIC/CODEC T_X gain equations are summarized in Table A1 and B1 respectively; and should be used to calculate transmit gains other than the 0dB implemented on the evaluation board.

The overall transmit gain has a strong dependence on the RSLIC synthesized impedance and the correct impedance match.

Jumper JP15 selects the T_X gain for the ISL5585 and HC55185 RSLICs.

Trans-hybrid Balance

The trans-hybrid balance network is implemented at the CODEC Tx amplifier summing input. The network consists of a pair of resistors that sum the 180° out of phase RSLIC 4W signal from V_{tx} , with the CODEC Rx signal. The magnitude of the 4W return signal relative to the CODEC Rx output is equal to the RSLIC G_{44} trans-hybrid gain. Therefore, complete 4W return signal cancellation occurs when the trans-hybrid resistor pair ratio produces a gain equal to G_{44} as shown in the Hybrid Model diagrams contained in Appendices A and B.

Trans-hybrid balance performance can be tested using the PCM4 A11 D-D level test with a 600Ω termination at the tip and ring terminals. The echo-return loss is typically greater than 23dB.

Jumper JP7 selects the proper transhybrid gain for the RSLIC/CODEC chip-set used.

Trans-hybrid balance has a strong dependence on RSLIC impedance matching and accurate T_X and R_X gains. In practice, minor deviations from the design value may occur due to resistor value rounding to the closest standard value.

APPENDIX A: ISL5585 3.3V AC Transmission Model and Design Equations

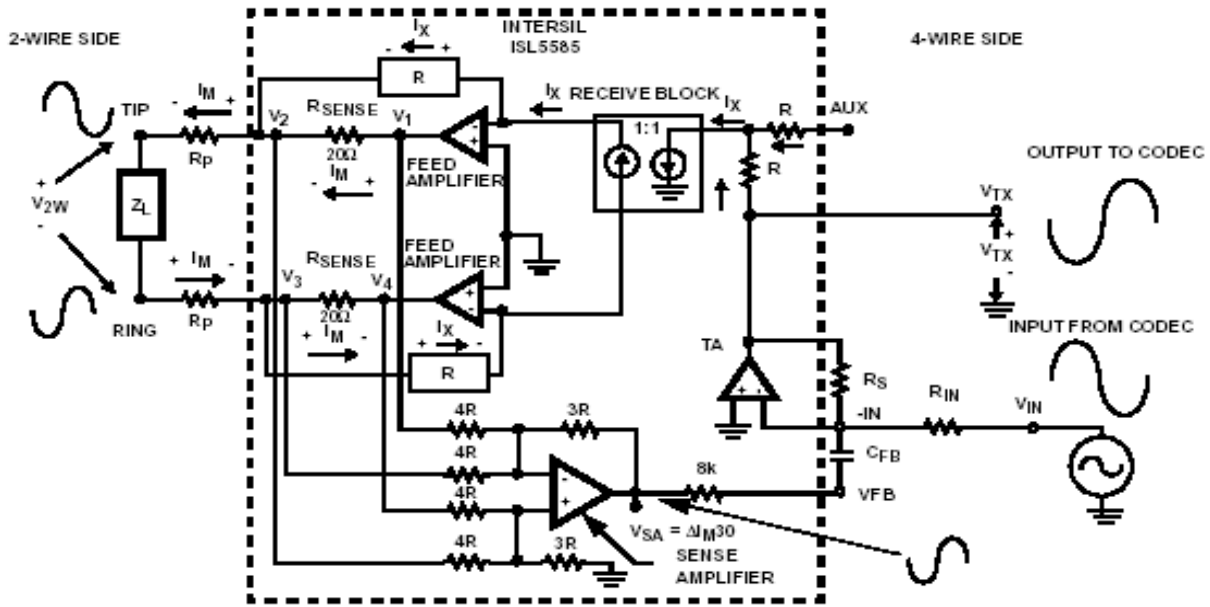


FIGURE A1: ISL5585 AC TRANSMISSION BLOCK DIAGRAM

TABLE A1: ISL5585 IMPEDANCE MATCHING AND GAIN EQUATIONS

<i>ISL5585/W68131: CODEC 0dBm0 Absolute Voltage Reference Level = -5dB (0.436Vrms)</i>				
Transmission Parameter	$Z_O = Z_L - 2R_P$	G_{42}	G_{24}	G_{44}
AC Gain Equations	$Z_O = \frac{R_S}{133.3}$	$G_{42} = \frac{R_S}{R_{in}}$	$G_{24} = -\left(\frac{Z_O}{Z_O + 2R_P + Z_L}\right)$	$G_{44} = \frac{R_S}{R_{in}} \left(\frac{Z_L + 2R_P}{Z_L + 2R_P + Z_O}\right)$
Eval. Board Values	$Z_O = 499\Omega$	$G_{42} = +5dB$	$G_{24} = -7.63dB$	$G_{44} = 0.342dB$
Eval. Board Component Values: $R_p = 51\Omega$; $R_s = 66.5k\Omega$; $R_{in} = 37.4k\Omega$;				

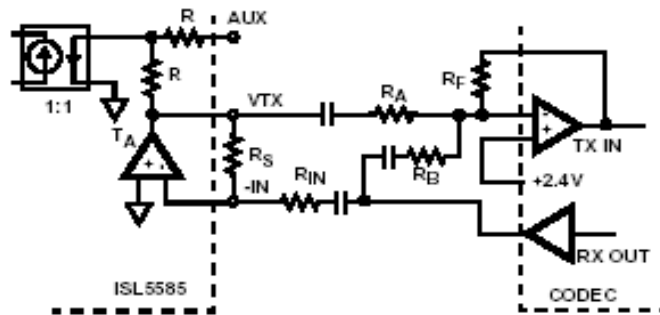


FIGURE A2: ISL5585 HYBRID BLOCK DIAGRAM

TABLE A2: ISL5585 TRSANS-HYBRID BALANCE EQUATIONS

<i>ISL5585/W68131 Hybrid Gain: CODEC 0dBm0 Absolute Voltage Reference Level = -5dB (0.436Vrms)</i>			
Hybrid Parameter	Transmit Gain (G_{TX})	Transhybrid Gain (G_{44})	Transhybrid Balance $G_{THB} = G_{44}$
AC Gain Equations	$G_{TX} = \frac{R_F}{R_A}$	$G_{44} = \frac{R_S}{R_{in}} \left(\frac{Z_L + 2R_P}{Z_L + 2R_P + Z_O}\right)$	$G_{THB} = G_{44} = \frac{R_A}{R_B}$
Eval. Board Values:	$G_{TX} = 1.366 = 2.71dB$	$G_{44} = 0.342dB$	$G_{THB} = 1.049 = 0.413dB$
Eval. Board Component Values: $R_p = 51\Omega$; $R_s = 66.5k\Omega$; $R_A = 73.2k\Omega$; $R_B = 69.8k\Omega$, $R_F = 100k\Omega$			

APPENDIX B: HC55185 5V AC Transmission Model and Design Equations

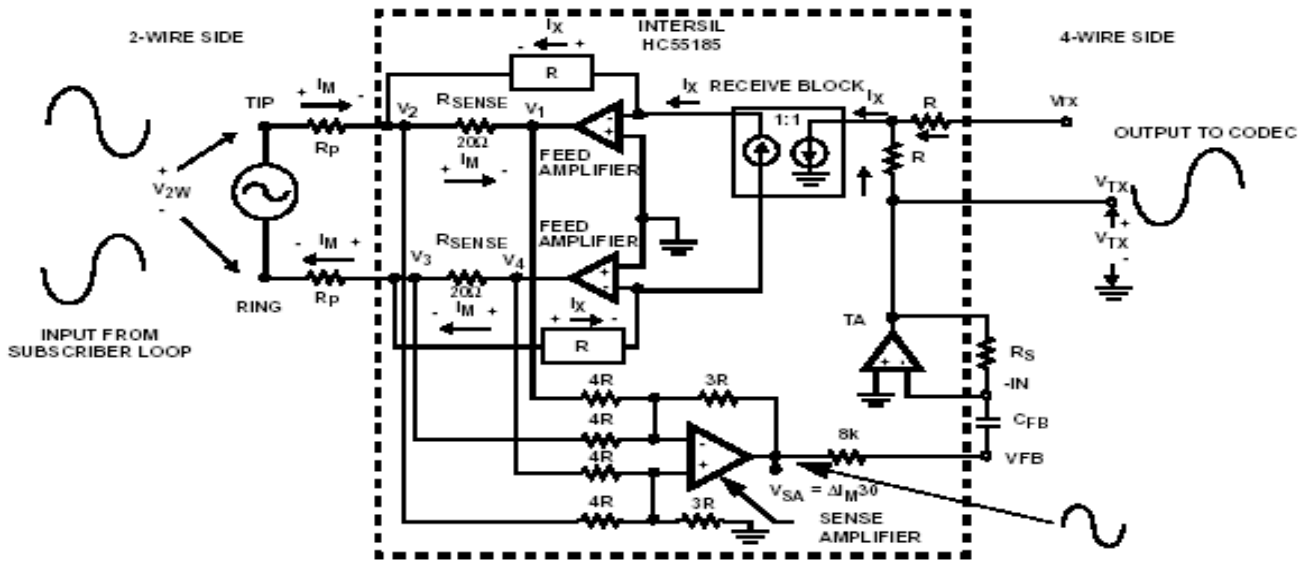


FIGURE B1: HC55185 AC TRANSMISSION BLOCK DIAGRAM

TABLE B1: HC55185 IMPEDANCE MATCHING AND GAIN EQUATIONS

<i>HC55185 AC Transmission Gains (dB), 600Ω, 0dBm0 reference level = 0dB (0.775Vrms)</i>				
Transmission Parameter	$Z_0 = Z_L - 2R_p$	G_{42}	G_{24}	G_{44}
AC Gain Equations	$Z_0 = \frac{R_S}{133.3}$	$G_{42} = -2 \left(\frac{Z_L}{Z_L + 2R_p + Z_0} \right)$	$G_{24} = - \left(\frac{Z_0}{Z_0 + 2R_p + Z_L} \right)$	$G_{44} = - \left(\frac{Z_0}{Z_L + 2R_p + Z_0} \right)$
Eval. Board Values: Rp = 51Ω Rs = 66.5kΩ	$Z_0 = 499\Omega$	$G_{42} = 0dB$	$G_{24} = -7.63dB$	$G_{44} = 0.416 = -7.63dB$

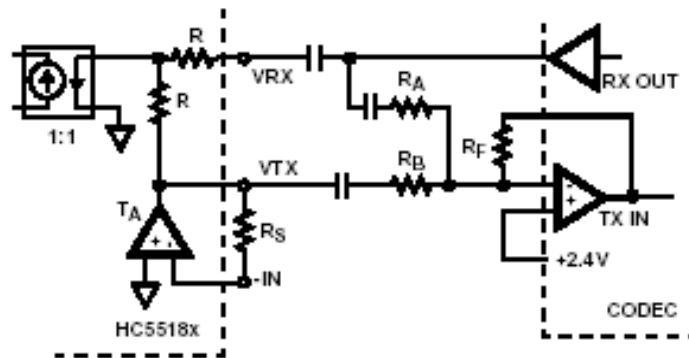
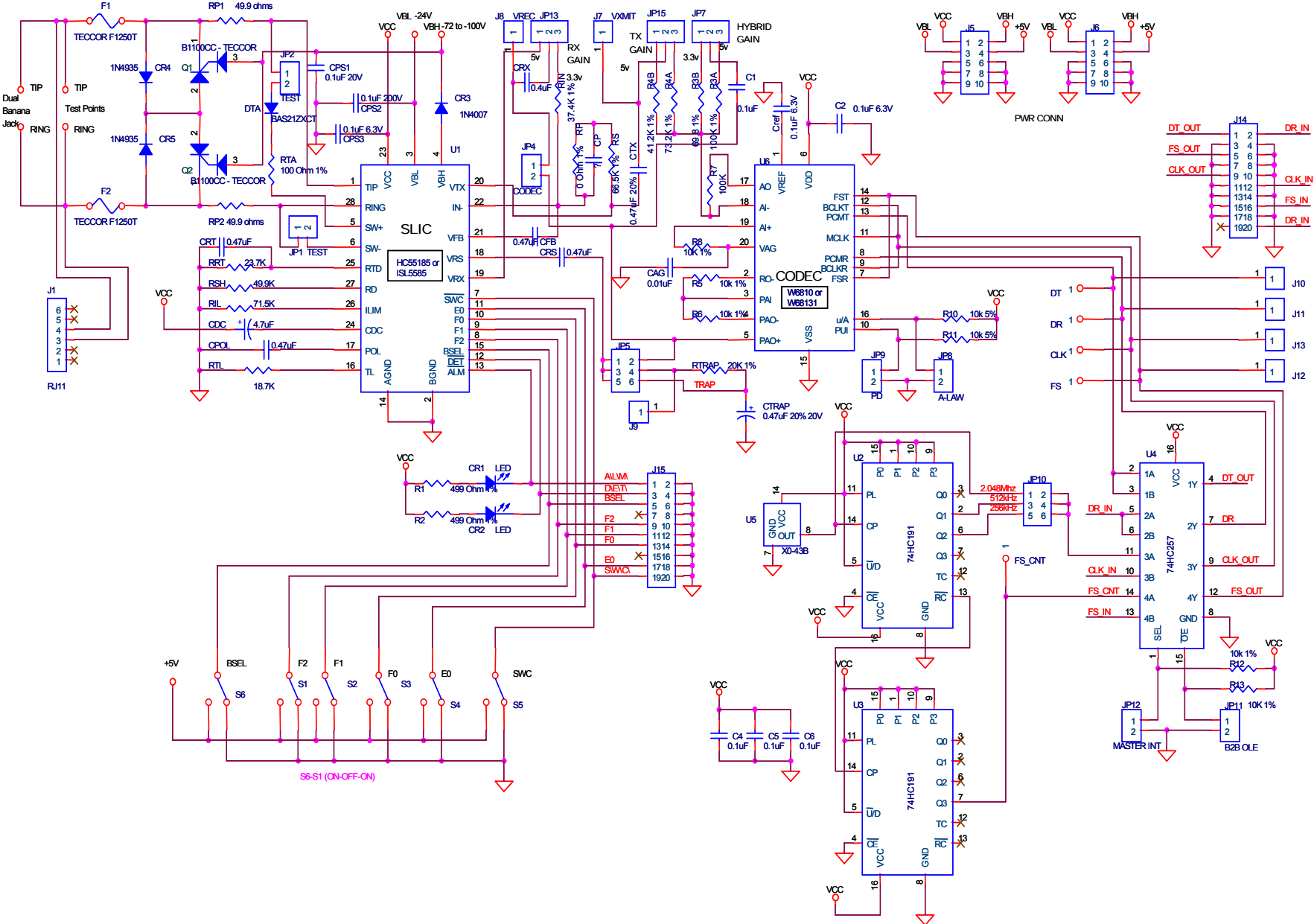


FIGURE B2: HC55185 HYBRID BLOCK DIAGRAM

TABLE B2: HC55185 TRANS HYBRID BALANCE EQUATIONS

<i>HC55185/W6810: Hybrid Gain: A-D Gain = D-A Gain = 0dB; 0dBm0 reference level = 0dB (0.775Vrms)</i>			
Hybrid Parameter	Transmit Gain (G_{TX})	Transhybrid Gain (G_{44})	Transhybrid Balance $G_{THB} = G_{44}$
AC Gain Equations	$G_{TX} = \frac{R_F}{R_B}$	$G_{44} = - \left(\frac{Z_0}{Z_L + 2R_p + Z_0} \right)$	$G_{THB} = G_{44} = \frac{R_B}{R_A}$
Eval. Board Values:	$G_{TX} = 2.427$	$G_{44} = -7.63dB$	$G_{THB} = -7.63dB$
Eval. Board Component Values:	$R_p = 51\Omega; R_s = 66.5k\Omega; R_A = 100k\Omega; R_B = 41.2k\Omega; R_F = 100k\Omega$		

ISL5585EVAL4 Schematic



ISL5585EVAL4 Electrical Component List

COMPONENT	VALUE	TOLERANCE	RATING	COMPONENT	VALUE	TOLERANCE	RATING
U ₁ - Ringing SLIC	HC55185 (5V) or ISL5585 (3.3V)	Intersil Corp.	N/A	R3B	69.8k Ω	1%	0.10W
U ₂ , U ₃	74HC191M	N/A	N/A	R5, R6, R8, R10, R11, R12, R13	10k Ω	1%	0.10W
U ₄	74HC257M	N/A	N/A	R14, R15	51 Ω	5%, picked to 0.1 Ω	0.50W
U ₅	XO-43B	N/A	N/A	R4A	44.2k Ω	1%	0.10W
U ₆ - CODEC	W6810 (5V), or W68131 (3.3V)	Winbond USA	N/A	R4B	73.2k Ω	1%	0.10W
F ₁ , F ₂ - Fuse	F1250T	TECCOR	N/A	RTL	17.8k Ω	1%	0.10W
Q ₁ , Q ₂ - Surge Protector	B1100CC	TECCOR	N/A	CFB, CRT, CRX, CRS, CTX, C1, CPOL, CTRAP	0.47 μ F	20%	20V
R _{RT} , R _{TRAP}	20k Ω	1%	0.10W	CDC,	4.7 μ F	20%	20V
R _{SH}	49.9k Ω	1%	0.10W	CPS1, CPS2, CPS3, CPS4, CPS5	0.1 μ F	20%	100V
R _{IL}	71.5k Ω	1%	0.10W	C2, C3, C4, C5, C6	0.1 μ F	20%	20V
R _{TA}	100 Ω	1%	0.25W	CR1, CR2	LN1251C	N/A	N/A
R _S	66.5k Ω	1%	0.10W	CR3	DL4003CT-ND	N/A	N/A
R _P	0 Ω	1%	0.10W	CR4, CR5	Diode, 200V, 1A	1N4935	
R ₁ , R ₂	499 Ω	1%	0.10W	DTA	BAS21ZXCT	N/A	N/A
R _{3A} , R ₇	100k Ω	1%	0.10W				

Notice

1. Descriptions of circuits, software and other related information in this document are provided only to illustrate the operation of semiconductor products and application examples. You are fully responsible for the incorporation or any other use of the circuits, software, and information in the design of your product or system. Renesas Electronics disclaims any and all liability for any losses and damages incurred by you or third parties arising from the use of these circuits, software, or information.
2. Renesas Electronics hereby expressly disclaims any warranties against and liability for infringement or any other claims involving patents, copyrights, or other intellectual property rights of third parties, by or arising from the use of Renesas Electronics products or technical information described in this document, including but not limited to, the product data, drawings, charts, programs, algorithms, and application examples.
3. No license, express, implied or otherwise, is granted hereby under any patents, copyrights or other intellectual property rights of Renesas Electronics or others.
4. You shall not alter, modify, copy, or reverse engineer any Renesas Electronics product, whether in whole or in part. Renesas Electronics disclaims any and all liability for any losses or damages incurred by you or third parties arising from such alteration, modification, copying or reverse engineering.
5. Renesas Electronics products are classified according to the following two quality grades: "Standard" and "High Quality". The intended applications for each Renesas Electronics product depends on the product's quality grade, as indicated below.
"Standard": Computers; office equipment; communications equipment; test and measurement equipment; audio and visual equipment; home electronic appliances; machine tools; personal electronic equipment; industrial robots; etc.
"High Quality": Transportation equipment (automobiles, trains, ships, etc.); traffic control (traffic lights); large-scale communication equipment; key financial terminal systems; safety control equipment; etc.
Unless expressly designated as a high reliability product or a product for harsh environments in a Renesas Electronics data sheet or other Renesas Electronics document, Renesas Electronics products are not intended or authorized for use in products or systems that may pose a direct threat to human life or bodily injury (artificial life support devices or systems; surgical implantations; etc.), or may cause serious property damage (space system; undersea repeaters; nuclear power control systems; aircraft control systems; key plant systems; military equipment; etc.). Renesas Electronics disclaims any and all liability for any damages or losses incurred by you or any third parties arising from the use of any Renesas Electronics product that is inconsistent with any Renesas Electronics data sheet, user's manual or other Renesas Electronics document.
6. When using Renesas Electronics products, refer to the latest product information (data sheets, user's manuals, application notes, "General Notes for Handling and Using Semiconductor Devices" in the reliability handbook, etc.), and ensure that usage conditions are within the ranges specified by Renesas Electronics with respect to maximum ratings, operating power supply voltage range, heat dissipation characteristics, installation, etc. Renesas Electronics disclaims any and all liability for any malfunctions, failure or accident arising out of the use of Renesas Electronics products outside of such specified ranges.
7. Although Renesas Electronics endeavors to improve the quality and reliability of Renesas Electronics products, semiconductor products have specific characteristics, such as the occurrence of failure at a certain rate and malfunctions under certain use conditions. Unless designated as a high reliability product or a product for harsh environments in a Renesas Electronics data sheet or other Renesas Electronics document, Renesas Electronics products are not subject to radiation resistance design. You are responsible for implementing safety measures to guard against the possibility of bodily injury, injury or damage caused by fire, and/or danger to the public in the event of a failure or malfunction of Renesas Electronics products, such as safety design for hardware and software, including but not limited to redundancy, fire control and malfunction prevention, appropriate treatment for aging degradation or any other appropriate measures. Because the evaluation of microcomputer software alone is very difficult and impractical, you are responsible for evaluating the safety of the final products or systems manufactured by you.
8. Please contact a Renesas Electronics sales office for details as to environmental matters such as the environmental compatibility of each Renesas Electronics product. You are responsible for carefully and sufficiently investigating applicable laws and regulations that regulate the inclusion or use of controlled substances, including without limitation, the EU RoHS Directive, and using Renesas Electronics products in compliance with all these applicable laws and regulations. Renesas Electronics disclaims any and all liability for damages or losses occurring as a result of your noncompliance with applicable laws and regulations.
9. Renesas Electronics products and technologies shall not be used for or incorporated into any products or systems whose manufacture, use, or sale is prohibited under any applicable domestic or foreign laws or regulations. You shall comply with any applicable export control laws and regulations promulgated and administered by the governments of any countries asserting jurisdiction over the parties or transactions.
10. It is the responsibility of the buyer or distributor of Renesas Electronics products, or any other party who distributes, disposes of, or otherwise sells or transfers the product to a third party, to notify such third party in advance of the contents and conditions set forth in this document.
11. This document shall not be reprinted, reproduced or duplicated in any form, in whole or in part, without prior written consent of Renesas Electronics.
12. Please contact a Renesas Electronics sales office if you have any questions regarding the information contained in this document or Renesas Electronics products.
(Note 1) "Renesas Electronics" as used in this document means Renesas Electronics Corporation and also includes its directly or indirectly controlled subsidiaries.
(Note 2) "Renesas Electronics product(s)" means any product developed or manufactured by or for Renesas Electronics.

(Rev.4.0-1 November 2017)



SALES OFFICES

Renesas Electronics Corporation

<http://www.renesas.com>

Refer to "<http://www.renesas.com/>" for the latest and detailed information.

Renesas Electronics America Inc.
1001 Murphy Ranch Road, Milpitas, CA 95035, U.S.A.
Tel: +1-408-432-8888, Fax: +1-408-434-5351

Renesas Electronics Canada Limited
9251 Yonge Street, Suite 8309 Richmond Hill, Ontario Canada L4C 9T3
Tel: +1-905-237-2004

Renesas Electronics Europe Limited
Dukes Meadow, Millboard Road, Bourne End, Buckinghamshire, SL8 5FH, U.K
Tel: +44-1628-651-700, Fax: +44-1628-651-804

Renesas Electronics Europe GmbH
Arcadiastrasse 10, 40472 Düsseldorf, Germany
Tel: +49-211-6503-0, Fax: +49-211-6503-1327

Renesas Electronics (China) Co., Ltd.
Room 1709 Quantum Plaza, No.27 ZhichunLu, Haidian District, Beijing, 100191 P. R. China
Tel: +86-10-8235-1155, Fax: +86-10-8235-7679

Renesas Electronics (Shanghai) Co., Ltd.
Unit 301, Tower A, Central Towers, 555 Langao Road, Putuo District, Shanghai, 200333 P. R. China
Tel: +86-21-2226-0888, Fax: +86-21-2226-0999

Renesas Electronics Hong Kong Limited
Unit 1601-1611, 16/F., Tower 2, Grand Century Place, 193 Prince Edward Road West, Mongkok, Kowloon, Hong Kong
Tel: +852-2265-6688, Fax: +852-2886-9022

Renesas Electronics Taiwan Co., Ltd.
13F, No. 363, Fu Shing North Road, Taipei 10543, Taiwan
Tel: +886-2-8175-9600, Fax: +886-2-8175-9670

Renesas Electronics Singapore Pte. Ltd.
80 Bendemeer Road, Unit #06-02 Hyflux Innovation Centre, Singapore 339949
Tel: +65-6213-0200, Fax: +65-6213-0300

Renesas Electronics Malaysia Sdn.Bhd.
Unit 1207, Block B, Menara Amcorp, Amcorp Trade Centre, No. 18, Jln Persiaran Barat, 46050 Petaling Jaya, Selangor Darul Ehsan, Malaysia
Tel: +60-3-7955-9390, Fax: +60-3-7955-9510

Renesas Electronics India Pvt. Ltd.
No.777C, 100 Feet Road, HAL 2nd Stage, Indiranagar, Bangalore 560 038, India
Tel: +91-80-67208700, Fax: +91-80-67208777

Renesas Electronics Korea Co., Ltd.
17F, KAMCO Yangjae Tower, 262, Gangnam-daero, Gangnam-gu, Seoul, 06265 Korea
Tel: +82-2-558-3737, Fax: +82-2-558-5338