

ISL71590SEHEV1Z

Evaluation Board

AN1844
Rev.0.00
Oct 4, 2013

Circuit Comments

The [ISL71590SEH](#) is an integrated-circuit temperature sensing transducer which produces an output current proportional to absolute temperature. The device acts as a high impedance constant current regulator passing $1\mu\text{A}/\text{Kelvin}$ for supply voltages between +4V and +33V.

The ISL71590SEHEV1Z evaluation platform supports the ISL71590SEH by highlighting four common application configurations. The evaluation board is composed of two ISL71590SEH devices, both of which can be individually heated and with a slotted PCB they are thermally isolated from each other.

With jumpers for circuit configuration, the four applications demonstrated are; single temperature sensor; lowest temperature in an array; average temperature in an array and differential temperature. These are illustrated in Figures 3 through 11 with supporting text accompanying each figure.

The configuration jumpers are grouped by application circuit so populating all the jumpers within a defined and labeled area configures the evaluation board for a particular functional configuration.

See Figure 1 for the ISL71590SEHEV1Z photograph.

The ISL71590SEHEV1Z sensors are potted with resistor heaters in Arctic Alumina Thermal Adhesive to simulate an installed application. In real world applications, as examples the sensors may be embedded in hollow metal probe sleeves, bolts or fastened to plate surfaces.

This user guide walks through each of the four applications illustrating noteworthy observations of each.

All evaluations and results in this document are done in still air.

Table 1 explains the ISL71590SEHEV1Z connections.

TABLE 1. ISL71590SEHEV1Z CONNECTIONS

BOARD CONNECTION NAME	DESCRIPTION AND FUNCTION
V+	V+ connection to ISL71590SEH and op-amp V+ bias.
V-/GND	Negative voltage connection to ISL71590SEH and negative bias to op-amp when evaluating differential temperature configuration.
$I_{OUT} * R$	Output used for single, average and lowest temperature configurations, $V_{OUT} = I_{OUT} * R$.
AMP V-	Connect to 0V when evaluating differential temperature configuration with op-amp.
DIFFERENTIAL OUT	Output used when evaluating differential temperature configuration.
HEATER 1	U1 heater voltage connection.
HEATER 2	U2 heater voltage connection.

Table2 illustrates the jumper installation definitions.

The ISL71590SEHEV1Z is shipped in single sensor configuration.

TABLE 2. JUMPER CONFIGURATION

SINGLE SENSOR TEMPERATURE	LOWEST TEMPERATURE (SERIES)	AVERAGE TEMPERATURE (PARALLEL)	DIFFERENTIAL TEMPERATURE
JP8	JP4, JP5	JP3, P8	JP2, JP6, JP7, J P9
Connects U1 to R3	Connects U1 and U2 in series to R3	Connects U1 and U2 in parallel to R3	Connects R2, U2, op-amp and U1 to a common node

NOTE: Install HEATER 1 and HEATER 2 jumpers to heat U1 (left) and U2 (right) ISL71590SEH respectively.



FIGURE 1. ISL71590SEHEV1Z EVALUATION BOARD

Typical Applications

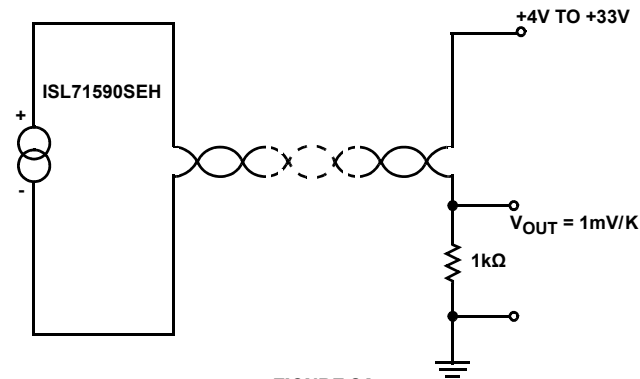


FIGURE 2A.

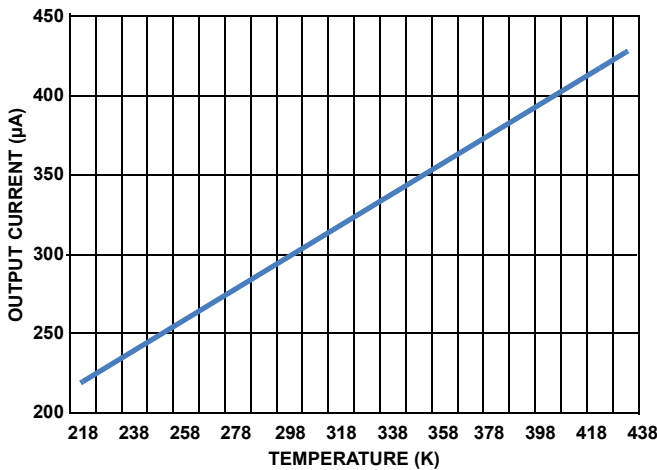


FIGURE 2B.

FIGURE 2. SINGLE SENSOR OUTPUT CURRENT IS PROPORTIONAL TO ABSOLUTE TEMPERATURE

Connecting just a single ISL71590SEH and resistor as shown in Figure 2A provides the simplest single temperature sensing implementation. The resulting over-temperature output current is shown in Figure 2B illustrating the 1µA/Kelvin (K) linear performance across the entire operating range of temperature.

For the single sensor configuration, Figure 3 shows the V_{OUT} increasing once the heater is turned on, the temperature increases over time rising from the ambient +25°C (298.15K) to a peak temperature of ~+100°C (373K) when the heater is turned off and both the V_{OUT} and temperature decreases. The output current change in this example is 1µA/Kelvin, resulting in a 1mV/°C or 1mV/K change with a 1kΩ V_{OUT} resistor. Increasing the V_{OUT} resistor value increases the measurement resolution.

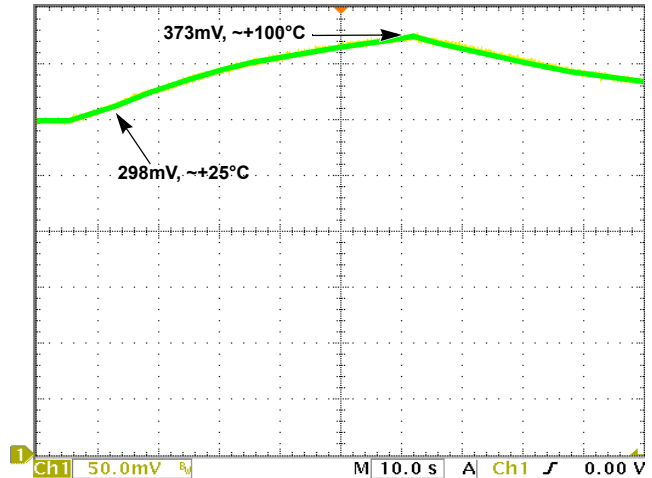


FIGURE 3. SERIES CONFIGURATION FOR MINIMUM TEMPERATURE

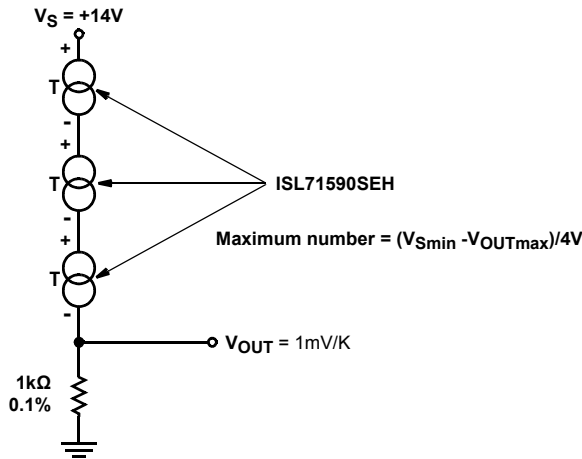


FIGURE 4. LOWEST TEMPERATURE SENSING SCHEME. AVAILABLE CURRENT IS THAT OF THE “COLDEST” SENSOR

Connecting several ISL71590SEH temperature sensors in series, as shown in Figure 4, results in the lowest individual temperature in the array to be indicated, since the series output current will be constrained by the sensor exposed to the lowest individual temperature. The maximum number of sensors in any single resistor string is limited by the total voltage applied divided by 4V as each device needs to be adequately biased when the temperature is the same or similar across all sensors.

As the higher temperature device(s) tries to output more current, it is prevented from doing so by the series current of the lowest temperature device and the result is that the voltage across the higher temperature device(s) decreases to the minimum operational voltage.

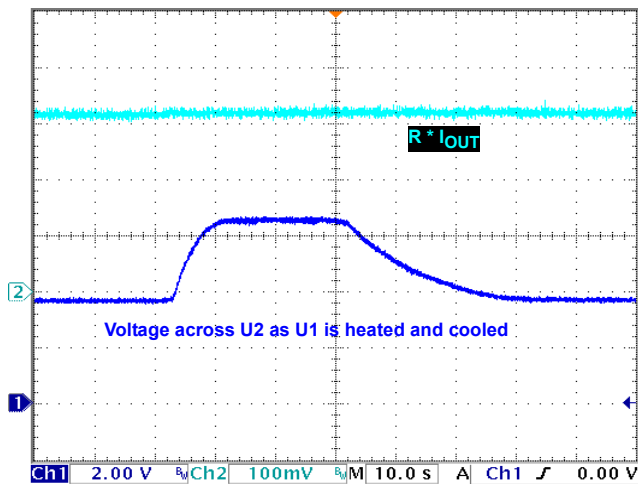


FIGURE 5. ISL71590SEH IN SERIES CONFIGURATION SHOWING VOLTAGE AROSS COOLER SENSOR

In Figure 5 the resultant $I_{OUT} \times R_{OUT}$ and the voltage across U2 are shown. As U1 is first heated then cooled to show the relationship between the coolest sensor which provides the output current level and the voltage across the cooler of the two sensors. Note that the output voltage representing the coolest

temperature in the series array does not change. The coolest sensor will be the one with the highest voltage across it as the others are in a collapsed state as they attempt to provide more current than the minimum sensor is providing. Total voltage across string is 10V.

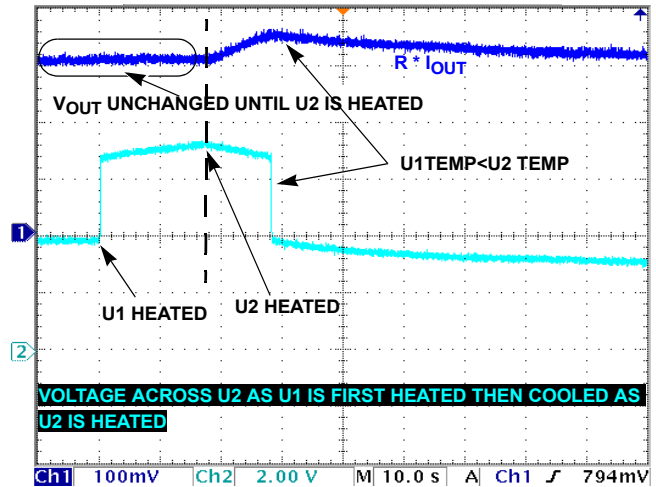


FIGURE 6. ISL71590SEH IN SERIES CONFIGURATION SHOWING VOLTAGE ACROSS COOLER SENSOR

Figure 6 shows the voltage across U2 and the resultant $I_{OUT} \times R_{OUT}$. U1 is first heated and then cooled as U2 is heated. Here the V_{OUT} is unchanged until the second sensor is heated, then it rises reflecting the lower temperature is rising as U2 is heated. As the decreasing U1 temperature falls below the U2 increasing temperature, the V_{OUT} decreases and the voltage across U2 collapses as U1 is now the cooler dominant device. Total voltage across string is 10V.

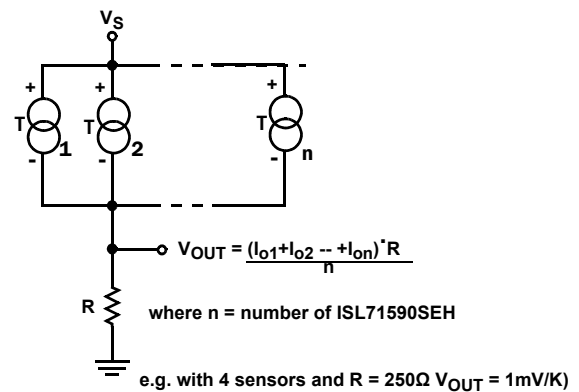


FIGURE 7. AVERAGE TEMPERATURE SENSING SCHEME

In contrast, connecting several temperature sensors in parallel as in Figure 7, results in the sum of the individual output currents flowing through the output resistor. This allows for the average temperature of the array to be expressed as a voltage. The value of the resistor must be appropriately low enough to ensure adequate voltage across the entire array. Keeping the output voltage at the same scale as in Figures 2 and 4 the value of the resistor R is chosen by the formula shown in Equation 1:

$$R = \frac{1k\Omega}{n} \quad (EQ. 1)$$

where n = the number of sensors.

Figure 8 shows the result of the parallel array configuration that returns the average temperature of the array as each ISL71590SEH in the evaluation board array outputs a current relative to its individual temperature. The sum of these currents flow through the output resistor, resulting in a V_{OUT} voltage that represents the average of all sensor temperatures expressed in Kelvin when the V_{OUT} is divided by the number of sensors in the parallel array.

The V_{OUT} is 596mV when both sensors are at +25 °C, each sensor outputting 298µA of current into the 1kΩ resistor. When one temperature sensor is heated, the average temperature increases resulting in the V_{OUT} increasing, representing the average of the two ISL71590SEH temperatures. In Figure 8 the V_{OUT} rises to 686mV representing an average temperature of 70 °C (343K).

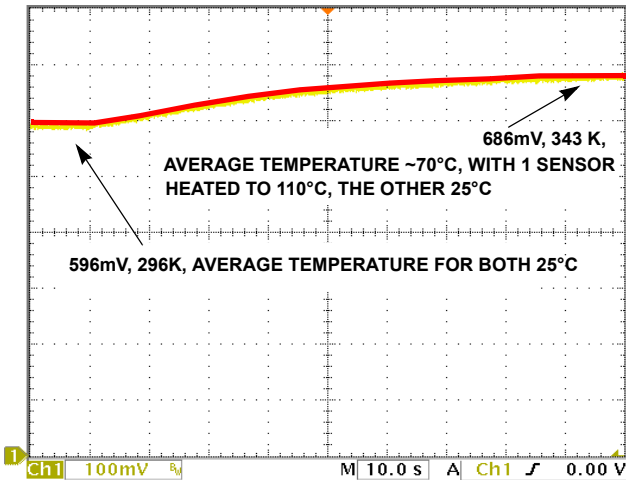


FIGURE 8. ISL71590SEH IN PARALLEL CONFIGURATION SHOWING VOLTAGE REPRESENTING THE TOTAL ARRAY CURRENT

For measuring a maximum temperature, individual sensors can be employed in an array but must then be multiplexed to a common output resistor and periodically polled for the individual temperatures to be monitored.

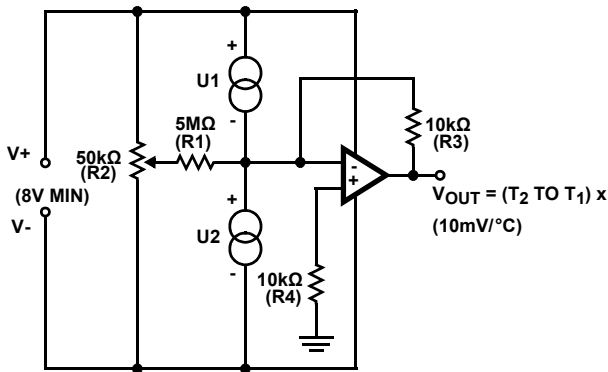


FIGURE 9. DIFFERENTIAL THERMOMETER

Figure 9 illustrates a simple circuit useful for measuring differential temperatures. R2 is used to trim the output of the op-amp to a desired differential temperature reference.

Any output voltage deviation in either polarity from that reference voltage is then an indication of a change in the differential temperature between the two sensors.

For example, with the output trimmed to 0mV and U2 sensing the reference temperature when U1 is cooled below the temperature of the U2 reference temperature, the op-amp output will decrease to a negative polarity indicating that the measured temperature is less than the reference. Conversely an increase in U1 temperature would result in the op-amp output voltage moving in a positive direction.

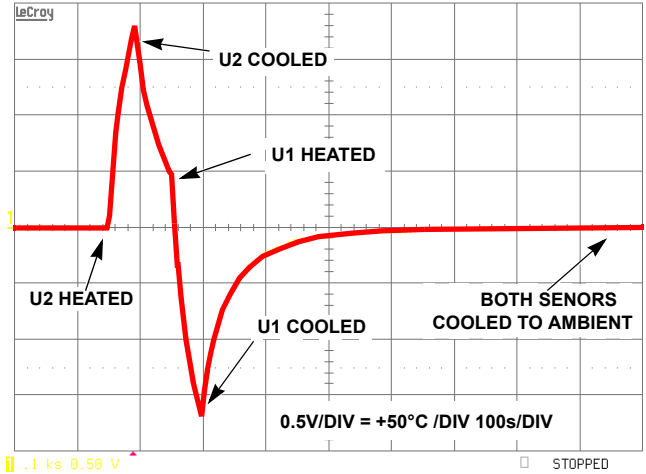


FIGURE 10. ISL71590SEH DIFFERENTIAL CONFIGURATION OPERATION

Figure 10 displays the output of the differential temperature configuration as shown in Figure 9 with U1 held as the temperature reference and U2 then U1 being alternately heated. Here the op-amp output moves in proportion to and in the direction of the change in differential temperature relative to the reference sensor. Starting with the differential temperature set to 0 °C, at an ambient room temperature U2 is first heated until it reaches a temperature of ~ 200 °C when the heater is turned off, U1 is then heated as U2 is cooling driving the output in the opposite polarity as U1 temperature now exceeds U2. Both sensors are then allowed to cool, returning to within 0.2 °C differential temperature at the end of the trace and eventually to 0.01 °C where it started.

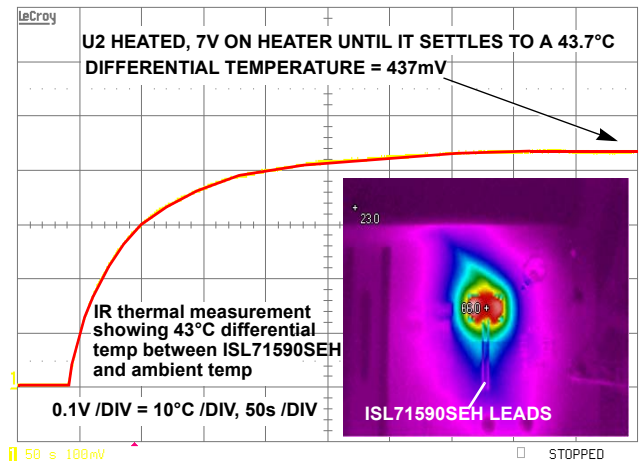


FIGURE 11. ISL71590SEH DIFFERENTIAL CONFIGURATION ACCURACY

The Figure 9 circuit has an output voltage deflection of $10\text{mV}/^{\circ}\text{C}$ when either U1 or U2 is held as the reference. Figure 11 illustrates that with both the differential circuit output voltage and with an IR thermal image this is true. In the IR image, the ISL71590SEH location is shown to be 66°C and the ambient shown in top left corner to be 23°C . To optimize the accuracy of the temperature measurements, high precision resistors with a low temperature coefficient are recommended such as 0.01% metal film or metal strip types for the output resistor.

When in the differential temp configuration connect +10V to V+ test point, -10V to V- test point and connect GND (0V) to AMP V- test point.

On the ISL71590SHEV1Z, each ISL71590SEH device has an on board heater allowing each to be independently heated to different temperatures by adjusting the heater voltage for each. The heaters are two 200Ω SMD resistors mounted on each side of the temperature sensor. Table 3 provides a guide for heater voltage to approximate temperature increase that the sensor will be exposed to in the epoxy embedded assembly.

TABLE 3. HEATER VOLTAGE GUIDE

HEATER VOLTAGE (V)	APPROXIMATE TEMPERATURE INCREASE ($^{\circ}\text{C}$)
3	9
5	24
7	43
9	73

Using the PCB heaters allows a quick demonstration of the four functional configurations, observing the V_{OUT} changes with a voltmeter or oscilloscope as appropriate.

ISL71590SEHEV1Z

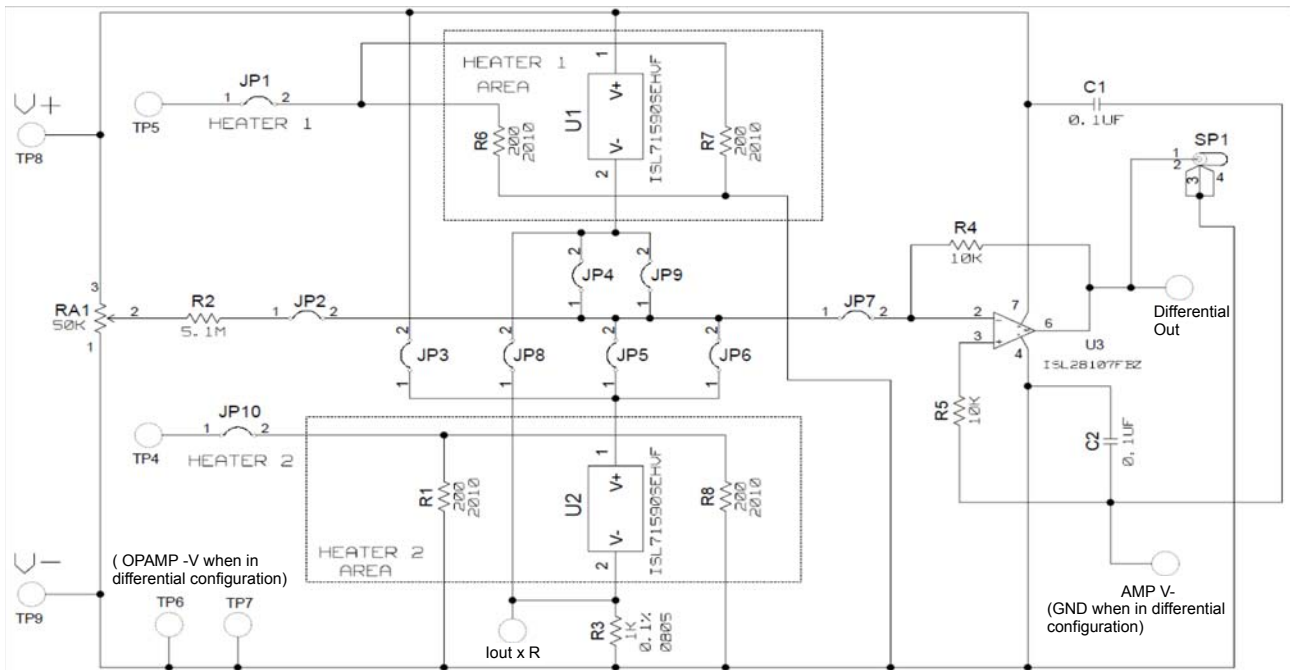


FIGURE 12. ISL71590SEHEV1Z SCHEMATIC

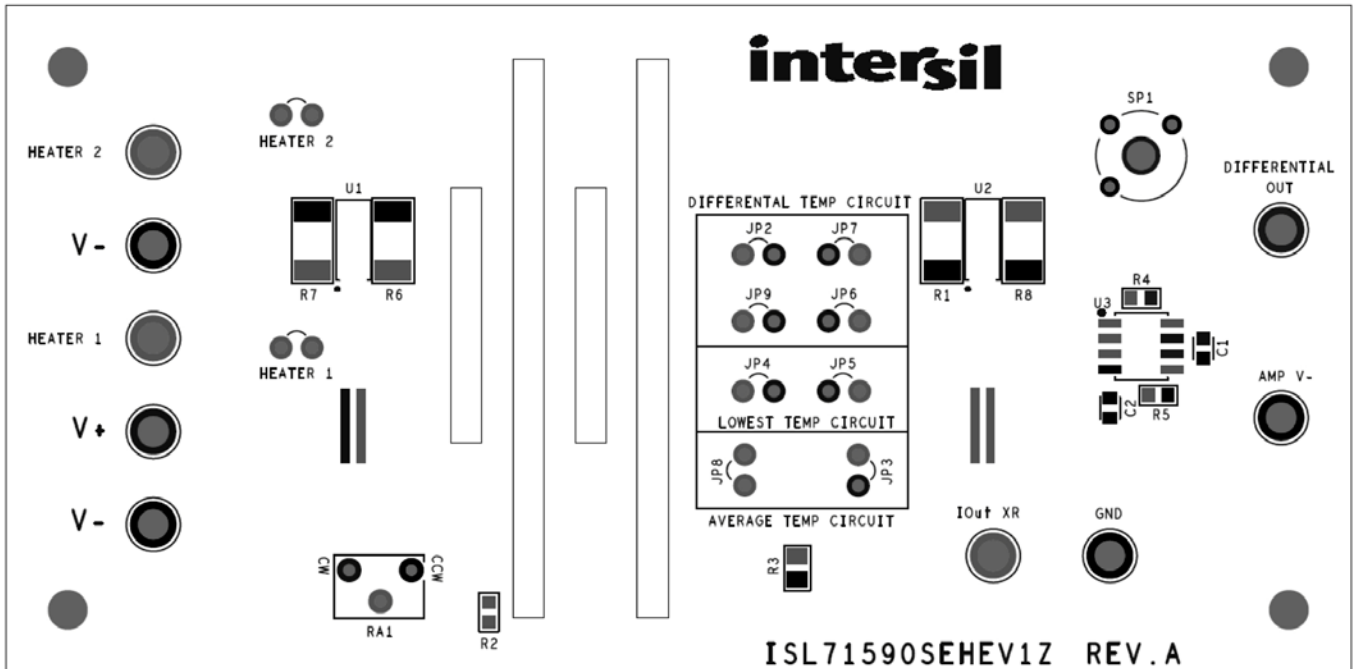


FIGURE 13. ISL71590SEHEV1Z TOP LEVEL PCB PATTERN

Notice

1. Descriptions of circuits, software and other related information in this document are provided only to illustrate the operation of semiconductor products and application examples. You are fully responsible for the incorporation or any other use of the circuits, software, and information in the design of your product or system. Renesas Electronics disclaims any and all liability for any losses and damages incurred by you or third parties arising from the use of these circuits, software, or information.
 2. Renesas Electronics hereby expressly disclaims any warranties against and liability for infringement or any other claims involving patents, copyrights, or other intellectual property rights of third parties, by or arising from the use of Renesas Electronics products or technical information described in this document, including but not limited to, the product data, drawings, charts, programs, algorithms, and application examples.
 3. No license, express, implied or otherwise, is granted hereby under any patents, copyrights or other intellectual property rights of Renesas Electronics or others.
 4. You shall not alter, modify, copy, or reverse engineer any Renesas Electronics product, whether in whole or in part. Renesas Electronics disclaims any and all liability for any losses or damages incurred by you or third parties arising from such alteration, modification, copying or reverse engineering.
 5. Renesas Electronics products are classified according to the following two quality grades: "Standard" and "High Quality". The intended applications for each Renesas Electronics product depends on the product's quality grade, as indicated below.
"Standard": Computers; office equipment; communications equipment; test and measurement equipment; audio and visual equipment; home electronic appliances; machine tools; personal electronic equipment; industrial robots; etc.
"High Quality": Transportation equipment (automobiles, trains, ships, etc.); traffic control (traffic lights); large-scale communication equipment; key financial terminal systems; safety control equipment; etc.
Unless expressly designated as a high reliability product or a product for harsh environments in a Renesas Electronics data sheet or other Renesas Electronics document, Renesas Electronics products are not intended or authorized for use in products or systems that may pose a direct threat to human life or bodily injury (artificial life support devices or systems; surgical implantations; etc.), or may cause serious property damage (space system; undersea repeaters; nuclear power control systems; aircraft control systems; key plant systems; military equipment; etc.). Renesas Electronics disclaims any and all liability for any damages or losses incurred by you or any third parties arising from the use of any Renesas Electronics product that is inconsistent with any Renesas Electronics data sheet, user's manual or other Renesas Electronics document.
 6. When using Renesas Electronics products, refer to the latest product information (data sheets, user's manuals, application notes, "General Notes for Handling and Using Semiconductor Devices" in the reliability handbook, etc.), and ensure that usage conditions are within the ranges specified by Renesas Electronics with respect to maximum ratings, operating power supply voltage range, heat dissipation characteristics, installation, etc. Renesas Electronics disclaims any and all liability for any malfunctions, failure or accident arising out of the use of Renesas Electronics products outside of such specified ranges.
 7. Although Renesas Electronics endeavors to improve the quality and reliability of Renesas Electronics products, semiconductor products have specific characteristics, such as the occurrence of failure at a certain rate and malfunctions under certain use conditions. Unless designated as a high reliability product or a product for harsh environments in a Renesas Electronics data sheet or other Renesas Electronics document, Renesas Electronics products are not subject to radiation resistance design. You are responsible for implementing safety measures to guard against the possibility of bodily injury, injury or damage caused by fire, and/or danger to the public in the event of a failure or malfunction of Renesas Electronics products, such as safety design for hardware and software, including but not limited to redundancy, fire control and malfunction prevention, appropriate treatment for aging degradation or any other appropriate measures. Because the evaluation of microcomputer software alone is very difficult and impractical, you are responsible for evaluating the safety of the final products or systems manufactured by you.
 8. Please contact a Renesas Electronics sales office for details as to environmental matters such as the environmental compatibility of each Renesas Electronics product. You are responsible for carefully and sufficiently investigating applicable laws and regulations that regulate the inclusion or use of controlled substances, including without limitation, the EU RoHS Directive, and using Renesas Electronics products in compliance with all these applicable laws and regulations. Renesas Electronics disclaims any and all liability for damages or losses occurring as a result of your noncompliance with applicable laws and regulations.
 9. Renesas Electronics products and technologies shall not be used for or incorporated into any products or systems whose manufacture, use, or sale is prohibited under any applicable domestic or foreign laws or regulations. You shall comply with any applicable export control laws and regulations promulgated and administered by the governments of any countries asserting jurisdiction over the parties or transactions.
 10. It is the responsibility of the buyer or distributor of Renesas Electronics products, or any other party who distributes, disposes of, or otherwise sells or transfers the product to a third party, to notify such third party in advance of the contents and conditions set forth in this document.
 11. This document shall not be reprinted, reproduced or duplicated in any form, in whole or in part, without prior written consent of Renesas Electronics.
 12. Please contact a Renesas Electronics sales office if you have any questions regarding the information contained in this document or Renesas Electronics products.
- (Note 1) "Renesas Electronics" as used in this document means Renesas Electronics Corporation and also includes its directly or indirectly controlled subsidiaries.
(Note 2) "Renesas Electronics product(s)" means any product developed or manufactured by or for Renesas Electronics.

(Rev.4.0-1 November 2017)



SALES OFFICES

Renesas Electronics Corporation

<http://www.renesas.com>

Refer to "<http://www.renesas.com/>" for the latest and detailed information.

Renesas Electronics America Inc.
1001 Murphy Ranch Road, Milpitas, CA 95035, U.S.A.
Tel: +1-408-432-8888, Fax: +1-408-434-5351

Renesas Electronics Canada Limited
9251 Yonge Street, Suite 8309 Richmond Hill, Ontario Canada L4C 9T3
Tel: +1-905-237-2004

Renesas Electronics Europe Limited
Dukes Meadow, Millboard Road, Bourne End, Buckinghamshire, SL8 5FH, U.K
Tel: +44-1628-651-700, Fax: +44-1628-651-804

Renesas Electronics Europe GmbH
Arcadiastrasse 10, 40472 Düsseldorf, Germany
Tel: +49-211-6503-0, Fax: +49-211-6503-1327

Renesas Electronics (China) Co., Ltd.
Room 1709 Quantum Plaza, No.27 ZhichunLu, Haidian District, Beijing, 100191 P. R. China
Tel: +86-10-8235-1155, Fax: +86-10-8235-7679

Renesas Electronics (Shanghai) Co., Ltd.
Unit 301, Tower A, Central Towers, 555 Langao Road, Putuo District, Shanghai, 200333 P. R. China
Tel: +86-21-2226-0888, Fax: +86-21-2226-0999

Renesas Electronics Hong Kong Limited
Unit 1601-1611, 16/F., Tower 2, Grand Century Place, 193 Prince Edward Road West, Mongkok, Kowloon, Hong Kong
Tel: +852-2265-6688, Fax: +852-2886-9022

Renesas Electronics Taiwan Co., Ltd.
13F, No. 363, Fu Shing North Road, Taipei 10543, Taiwan
Tel: +886-2-8175-9600, Fax: +886-2-8175-9670

Renesas Electronics Singapore Pte. Ltd.
80 Bendemeer Road, Unit #06-02 Hyflux Innovation Centre, Singapore 339949
Tel: +65-6213-0200, Fax: +65-6213-0300

Renesas Electronics Malaysia Sdn.Bhd.
Unit 1207, Block B, Menara Amcorp, Amcorp Trade Centre, No. 18, Jln Persiaran Barat, 46050 Petaling Jaya, Selangor Darul Ehsan, Malaysia
Tel: +60-3-7955-9390, Fax: +60-3-7955-9510

Renesas Electronics India Pvt. Ltd.
No.777C, 100 Feet Road, HAL 2nd Stage, Indiranagar, Bangalore 560 038, India
Tel: +91-80-67208700, Fax: +91-80-67208777

Renesas Electronics Korea Co., Ltd.
17F, KAMCO Yangjae Tower, 262, Gangnam-daero, Gangnam-gu, Seoul, 06265 Korea
Tel: +82-2-558-3737, Fax: +82-2-558-5338