

# RX26T Group

## MCK-RX26T User's Manual

Renesas RX Family  
RX200 Series

All information contained in these materials, including products and product specifications, represents information on the product at the time of publication and is subject to change by Renesas Electronics Corp. without notice. Please review the latest information published by Renesas Electronics Corp. through various means, including the Renesas Electronics Corp. website (<http://www.renesas.com>).

## General Precautions in the Handling of Microprocessing Unit and Microcontroller Unit Products

The following usage notes are applicable to all Microprocessing unit and Microcontroller unit products from Renesas. For detailed usage notes on the products covered by this document, refer to the relevant sections of the document as well as any technical updates that have been issued for the products.

### 1. Precaution against Electrostatic Discharge (ESD)

A strong electrical field, when exposed to a CMOS device, can cause destruction of the gate oxide and ultimately degrade the device operation. Steps must be taken to stop the generation of static electricity as much as possible, and quickly dissipate it when it occurs. Environmental control must be adequate. When it is dry, a humidifier should be used. This is recommended to avoid using insulators that can easily build up static electricity.

Semiconductor devices must be stored and transported in an anti-static container, static shielding bag or conductive material. All test and measurement tools including work benches and floors must be grounded. The operator must also be grounded using a wrist strap. Semiconductor devices must not be touched with bare hands. Similar precautions must be taken for printed circuit boards with mounted semiconductor devices.

### 2. Processing at power-on

The state of the product is undefined at the time when power is supplied. The states of internal circuits in the LSI are indeterminate and the states of register settings and pins are undefined at the time when power is supplied. In a finished product where the reset signal is applied to the external reset pin, the states of pins are not guaranteed from the time when power is supplied until the reset process is completed. In a similar way, the states of pins in a product that is reset by an on-chip power-on reset function are not guaranteed from the time when power is supplied until the power reaches the level at which resetting is specified.

### 3. Input of signal during power-off state

Do not input signals or an I/O pull-up power supply while the device is powered off. The current injection that results from input of such a signal or I/O pull-up power supply may cause malfunction and the abnormal current that passes in the device at this time may cause degradation of internal elements. Follow the guideline for input signal during power-off state as described in your product documentation.

### 4. Handling of unused pins

Handle unused pins in accordance with the directions given under handling of unused pins in the manual. The input pins of CMOS products are generally in the high-impedance state. In operation with an unused pin in the open-circuit state, extra electromagnetic noise is induced in the vicinity of the LSI, an associated shoot-through current flows internally, and malfunctions occur due to the false recognition of the pin state as an input signal become possible.

### 5. Clock signals

After applying a reset, only release the reset line after the operating clock signal becomes stable. When switching the clock signal during program execution, wait until the target clock signal is stabilized. When the clock signal is generated with an external resonator or from an external oscillator during a reset, ensure that the reset line is only released after full stabilization of the clock signal. Additionally, when switching to a clock signal produced with an external resonator or by an external oscillator while program execution is in progress, wait until the target clock signal is stable.

### 6. Voltage application waveform at input pin

Waveform distortion due to input noise or a reflected wave may cause malfunction. If the input of the CMOS device stays in the area between  $V_{IL}$  (Max.) and  $V_{IH}$  (Min.) due to noise, for example, the device may malfunction. Take care to prevent chattering noise from entering the device when the input level is fixed, and also in the transition period when the input level passes through the area between  $V_{IL}$  (Max.) and  $V_{IH}$  (Min.).

### 7. Prohibition of access to reserved addresses

Access to reserved addresses is prohibited. The reserved addresses are provided for possible future expansion of functions. Do not access these addresses as the correct operation of the LSI is not guaranteed.

### 8. Differences between products

Before changing from one product to another, for example to a product with a different part number, confirm that the change will not lead to problems. The characteristics of a microprocessing unit or microcontroller unit products in the same group but having a different part number might differ in terms of internal memory capacity, layout pattern, and other factors, which can affect the ranges of electrical characteristics, such as characteristic values, operating margins, immunity to noise, and amount of radiated noise. When changing to a product with a different part number, implement a system-evaluation test for the given product.

## Notice

1. Descriptions of circuits, software and other related information in this document are provided only to illustrate the operation of semiconductor products and application examples. You are fully responsible for the incorporation or any other use of the circuits, software, and information in the design of your product or system. Renesas Electronics disclaims any and all liability for any losses and damages incurred by you or third parties arising from the use of these circuits, software, or information.
2. Renesas Electronics hereby expressly disclaims any warranties against and liability for infringement or any other claims involving patents, copyrights, or other intellectual property rights of third parties, by or arising from the use of Renesas Electronics products or technical information described in this document, including but not limited to, the product data, drawings, charts, programs, algorithms, and application examples.
3. No license, express, implied or otherwise, is granted hereby under any patents, copyrights or other intellectual property rights of Renesas Electronics or others.
4. You shall be responsible for determining what licenses are required from any third parties, and obtaining such licenses for the lawful import, export, manufacture, sales, utilization, distribution or other disposal of any products incorporating Renesas Electronics products, if required.
5. You shall not alter, modify, copy, or reverse engineer any Renesas Electronics product, whether in whole or in part. Renesas Electronics disclaims any and all liability for any losses or damages incurred by you or third parties arising from such alteration, modification, copying or reverse engineering.
6. Renesas Electronics products are classified according to the following two quality grades: "Standard" and "High Quality". The intended applications for each Renesas Electronics product depends on the product's quality grade, as indicated below.

"Standard": Computers; office equipment; communications equipment; test and measurement equipment; audio and visual equipment; home electronic appliances; machine tools; personal electronic equipment; industrial robots; etc.

"High Quality": Transportation equipment (automobiles, trains, ships, etc.); traffic control (traffic lights); large-scale communication equipment; key financial terminal systems; safety control equipment; etc.

Unless expressly designated as a high reliability product or a product for harsh environments in a Renesas Electronics data sheet or other Renesas Electronics document, Renesas Electronics products are not intended or authorized for use in products or systems that may pose a direct threat to human life or bodily injury (artificial life support devices or systems; surgical implantations; etc.), or may cause serious property damage (space system; undersea repeaters; nuclear power control systems; aircraft control systems; key plant systems; military equipment; etc.). Renesas Electronics disclaims any and all liability for any damages or losses incurred by you or any third parties arising from the use of any Renesas Electronics product that is inconsistent with any Renesas Electronics data sheet, user's manual or other Renesas Electronics document.
7. No semiconductor product is absolutely secure. Notwithstanding any security measures or features that may be implemented in Renesas Electronics hardware or software products, Renesas Electronics shall have absolutely no liability arising out of any vulnerability or security breach, including but not limited to any unauthorized access to or use of a Renesas Electronics product or a system that uses a Renesas Electronics product. RENESAS ELECTRONICS DOES NOT WARRANT OR GUARANTEE THAT RENESAS ELECTRONICS PRODUCTS, OR ANY SYSTEMS CREATED USING RENESAS ELECTRONICS PRODUCTS WILL BE INVULNERABLE OR FREE FROM CORRUPTION, ATTACK, VIRUSES, INTERFERENCE, HACKING, DATA LOSS OR THEFT, OR OTHER SECURITY INTRUSION ("Vulnerability Issues"). RENESAS ELECTRONICS DISCLAIMS ANY AND ALL RESPONSIBILITY OR LIABILITY ARISING FROM OR RELATED TO ANY VULNERABILITY ISSUES. FURTHERMORE, TO THE EXTENT PERMITTED BY APPLICABLE LAW, RENESAS ELECTRONICS DISCLAIMS ANY AND ALL WARRANTIES, EXPRESS OR IMPLIED, WITH RESPECT TO THIS DOCUMENT AND ANY RELATED OR ACCOMPANYING SOFTWARE OR HARDWARE, INCLUDING BUT NOT LIMITED TO THE IMPLIED WARRANTIES OF MERCHANTABILITY, OR FITNESS FOR A PARTICULAR PURPOSE.
8. When using Renesas Electronics products, refer to the latest product information (data sheets, user's manuals, application notes, "General Notes for Handling and Using Semiconductor Devices" in the reliability handbook, etc.), and ensure that usage conditions are within the ranges specified by Renesas Electronics with respect to maximum ratings, operating power supply voltage range, heat dissipation characteristics, installation, etc. Renesas Electronics disclaims any and all liability for any malfunctions, failure or accident arising out of the use of Renesas Electronics products outside of such specified ranges.
9. Although Renesas Electronics endeavors to improve the quality and reliability of Renesas Electronics products, semiconductor products have specific characteristics, such as the occurrence of failure at a certain rate and malfunctions under certain use conditions. Unless designated as a high reliability product or a product for harsh environments in a Renesas Electronics data sheet or other Renesas Electronics document, Renesas Electronics products are not subject to radiation resistance design. You are responsible for implementing safety measures to guard against the possibility of bodily injury, injury or damage caused by fire, and/or danger to the public in the event of a failure or malfunction of Renesas Electronics products, such as safety design for hardware and software, including but not limited to redundancy, fire control and malfunction prevention, appropriate treatment for aging degradation or any other appropriate measures. Because the evaluation of microcomputer software alone is very difficult and impractical, you are responsible for evaluating the safety of the final products or systems manufactured by you.
10. Please contact a Renesas Electronics sales office for details as to environmental matters such as the environmental compatibility of each Renesas Electronics product. You are responsible for carefully and sufficiently investigating applicable laws and regulations that regulate the inclusion or use of controlled substances, including without limitation, the EU RoHS Directive, and using Renesas Electronics products in compliance with all these applicable laws and regulations. Renesas Electronics disclaims any and all liability for damages or losses occurring as a result of your noncompliance with applicable laws and regulations.
11. Renesas Electronics products and technologies shall not be used for or incorporated into any products or systems whose manufacture, use, or sale is prohibited under any applicable domestic or foreign laws or regulations. You shall comply with any applicable export control laws and regulations promulgated and administered by the governments of any countries asserting jurisdiction over the parties or transactions.
12. It is the responsibility of the buyer or distributor of Renesas Electronics products, or any other party who distributes, disposes of, or otherwise sells or transfers the product to a third party, to notify such third party in advance of the contents and conditions set forth in this document.
13. This document shall not be reprinted, reproduced or duplicated in any form, in whole or in part, without prior written consent of Renesas Electronics.
14. Please contact a Renesas Electronics sales office if you have any questions regarding the information contained in this document or Renesas Electronics products.

(Note1) "Renesas Electronics" as used in this document means Renesas Electronics Corporation and also includes its directly or indirectly controlled subsidiaries.

(Note2) "Renesas Electronics product(s)" means any product developed or manufactured by or for Renesas Electronics.

(Rev.5.0-1 October 2020)

## Corporate Headquarters

TOYOSU FORESIA, 3-2-24 Toyosu,  
Koto-ku, Tokyo 135-0061, Japan

[www.renesas.com](http://www.renesas.com)

## Trademarks

Renesas and the Renesas logo are trademarks of Renesas Electronics Corporation. All trademarks and registered trademarks are the property of their respective owners.

## Contact information

For further information on a product, technology, the most up-to-date version of a document, or your nearest sales office, please visit:

[www.renesas.com/contact/](http://www.renesas.com/contact/).

---

# MCK-RX26T User's Manual

---

## Contents

1. Overview .....	5
1.1 Presupposition and precautions of this document .....	5
2. Product Contents .....	6
3. Product Order Information .....	6
4. Hardware Configuration and Default Setting .....	7
4.1 Hardware configuration .....	7
4.2 Block diagram .....	11
4.3 Board Layout .....	12
4.4 Standoffs and Screws .....	13
4.5 Jumper pin setting .....	14
4.5.1 Inverter board .....	14
4.5.2 CPU board .....	15
4.5.3 Communication board .....	16
4.6 Hardware Setup .....	17
4.6.1 Board Connection .....	17
4.6.2 Power Supply .....	18
5. Inverter Board Specification .....	20
5.1 Functions .....	20
5.1.1 Inverter control circuit block .....	20
5.1.2 Current detection circuit .....	21
5.1.3 Overcurrent detection circuit .....	22
5.1.4 Output voltage detection circuit .....	23
5.1.5 Voltage generation circuit .....	23
5.1.6 LED .....	24
5.1.7 Toggle switch and push switch .....	24
5.1.8 Variable resistor .....	24
5.2 Pin assignment .....	25
5.2.1 CPU board connector .....	25
5.2.2 Hall sensor signal input .....	27
5.2.3 Encoder/Inductive position sensor signal input .....	27
6. CPU Board Specification .....	28
6.1 Functions .....	28
6.1.1 Power supply .....	28
6.1.2 On-board debugger .....	28

---

6.1.3	Inverter board connector .....	29
6.1.4	Serial communication .....	31
6.1.5	Reset circuit.....	31
6.1.6	LED.....	32
6.1.7	CAN Communication.....	32
6.1.8	SPI Communication.....	32
6.1.9	PMOD.....	32
6.2	RX26T pin function list .....	34
7.	Communication Board Specification .....	36
7.1	Functions .....	36
7.1.1	Power supply .....	36
7.1.2	USB communication.....	36
7.1.3	Serial communication .....	36
8.	Design and Manufacture Information .....	37
9.	Website and Support .....	37
	Revision History.....	38

**Figure of contents**

Figure 2-1 Product contents .....	6
Figure 4-1 MCK-RX26T block diagram .....	11
Figure 4-2 Inverter board Layout .....	12
Figure 4-3 CPU Board Layout .....	12
Figure 4-4 Communication board Layout .....	13
Figure 4-5 Standoffs and Screws assembly .....	13
Figure 4-6 Default jumper pin setting of Inverter board .....	14
Figure 4-7 Default jumper pin setting of CPU board .....	15
Figure 4-8 Default jumper pin setting of Communication board .....	16
Figure 4-9 Board connection .....	17
Figure 4-10 Power supply from DC jack .....	18
Figure 4-11 Power supply from terminal block .....	18
Figure 4-12 Power supply from USB connector .....	19
Figure 5-1 Illustration of inverter control circuit block .....	20
Figure 5-2 Current detection circuit .....	21
Figure 5-3 Overcurrent detection circuit .....	22
Figure 5-4 Output voltage detection circuit .....	23
Figure 6-1 JP11 setting .....	28
Figure 6-2 Board connection of CPU board, INV board and COM board .....	31

## Table of contents

Table 4-1 MCK-RX26T specification (1/4).....	7
Table 4-2 MCK-RX26T specification (2/4).....	8
Table 4-3 MCK-RX26T specification (3/4).....	9
Table 4-4 MCK-RX26T specification (4/4).....	10
Table 4-5 Jumper pin setting of Inverter board .....	14
Table 4-6 Jumper pin setting of CPU board .....	15
Table 4-7 Jumper pin setting of Communication board.....	16
Table 4-8 Power supply and driving voltage generation .....	19
Table 5-1 Voltage generation .....	23
Table 5-2 LED.....	24
Table 5-3 Toggle switch and push switch.....	24
Table 5-4 Variable resistance specification .....	24
Table 5-5 CPU board connector (CN3) .....	25
Table 5-6 CPU board connector (CN4) .....	26
Table 5-7 Connector for hall sensor signal input (CN6) pin assignment.....	27
Table 5-8 Pins for encoder/inductive position sensor signal input (CN7) pin assignment .....	27
Table 6-1 1st inverter board connector (CN1) pin assignment.....	29
Table 6-2 1st inverter board connector (CN2) pin assignment.....	29
Table 6-3 2nd inverter board connector (CN4) pin assignment .....	30
Table 6-4 2nd inverter board connector (CN4) pin assignment .....	30
Table 6-5 SCI connector (CN6) pin assignment.....	31
Table 6-6 LED pin assignment .....	32
Table 6-7 CAN communication pin assignment (CN5).....	32
Table 6-8 SPI communication pin assignment (CN13) .....	32
Table 6-9 PMOD Type 3A connector pin assignment (CN12) .....	33
Table 6-10 PMOD Type 6A connector pin assignment (CN10) .....	33
Table 6-11 RX26T pin function list .....	34
Table 7-1 SCI connector (CN5) pin assignment.....	36
Table 7-2 SCI connector (CN4) pin assignment.....	36

## 1. Overview

MCK-RX26T is a motor control evaluation kit. By using this product, motor control with MCK-RX26T can be performed easily.

MCK-RX26T has characteristics shown below.

- (1) Supports Brushless DC motor.
- (2) Supports 1-/2-/3-shunt current detection.
- (3) Supports Motor Control Development Support Tool.
- (4) Provides overcurrent protection function using overcurrent detection circuit.

### 1.1 Presupposition and precautions of this document

1. Experience of using tools: This document assumes that the user has used terminal emulation program of Integrated Development Environment (IDE) such as e2 studio before.
2. Knowledge about the development subject: This document assumes that the user has a basic knowledge to modify the sample project regarding MCU and embedded system.
3. Before using this product, wear an antistatic wrist strap. If you touch this product with static charge on your body, a device failure may occur, or operation may become unstable
4. All screen shots provided in this document is for reference. Actual screen displays may differ depending on the software and development tool version which you use.



## 2. Product Contents

This kit consists of the following parts.

1. Inverter Board (RTK0EM0000B12020BJ) x1
2. CPU Board (RTK0EMXE70C00000BJ) x1
3. Communication board (RTK0EMXC90Z00000BJ) x1
4. Brushless DC Motor (R42BLD30L3) x1
5. Communication cable x1
6. USB cable x2
7. Screw x12
8. Standoff x12

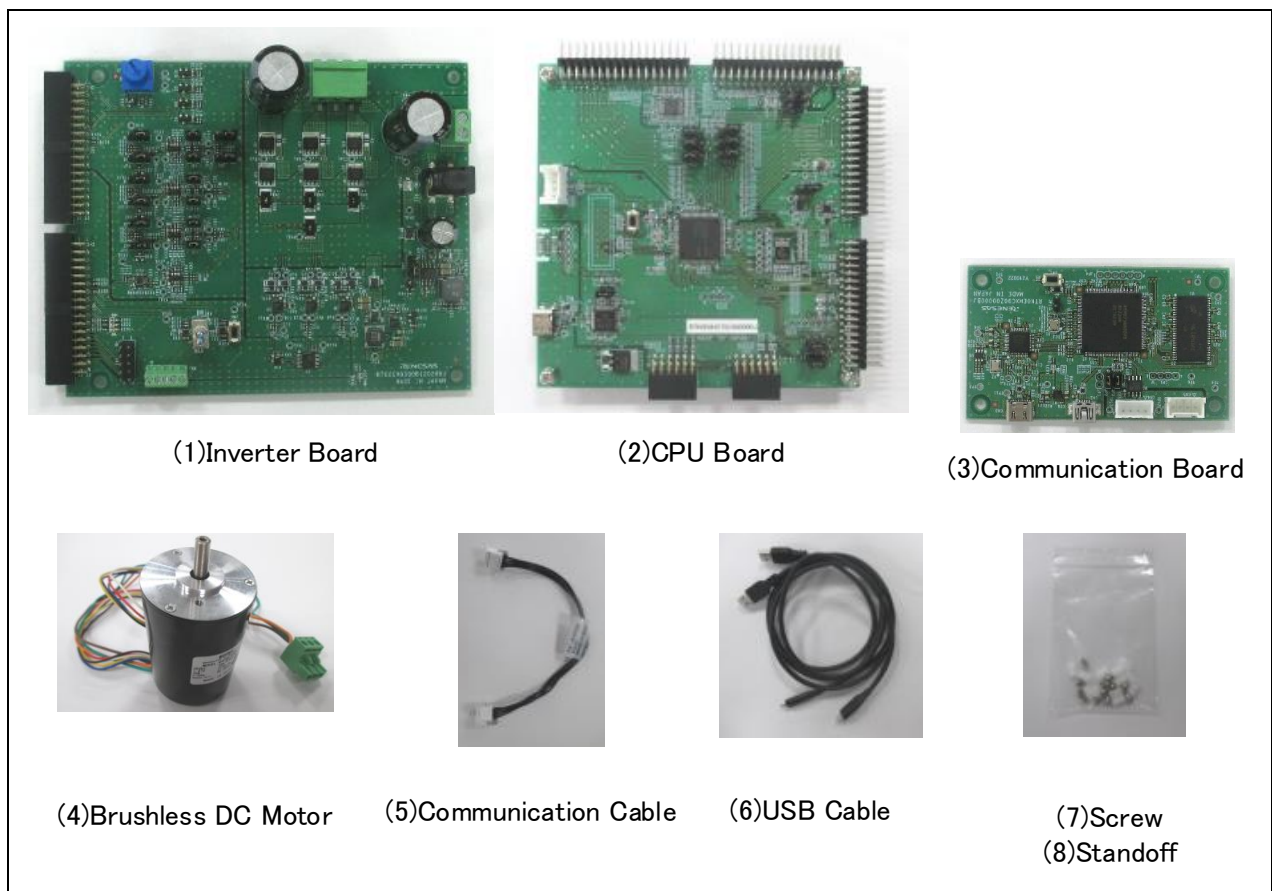


Figure 2-1 Product contents

## 3. Product Order Information

Product number to order MCK-RX26T:RTK0EMXE70S00020BJ

## 4. Hardware Configuration and Default Setting

### 4.1 Hardware configuration

MCK-RX26T consists of the inverter board, the CPU board and the communication board. Specifications as a kit and for the relevant boards are listed below.

**Table 4-1 MCK-RX26T specification (1/4)**

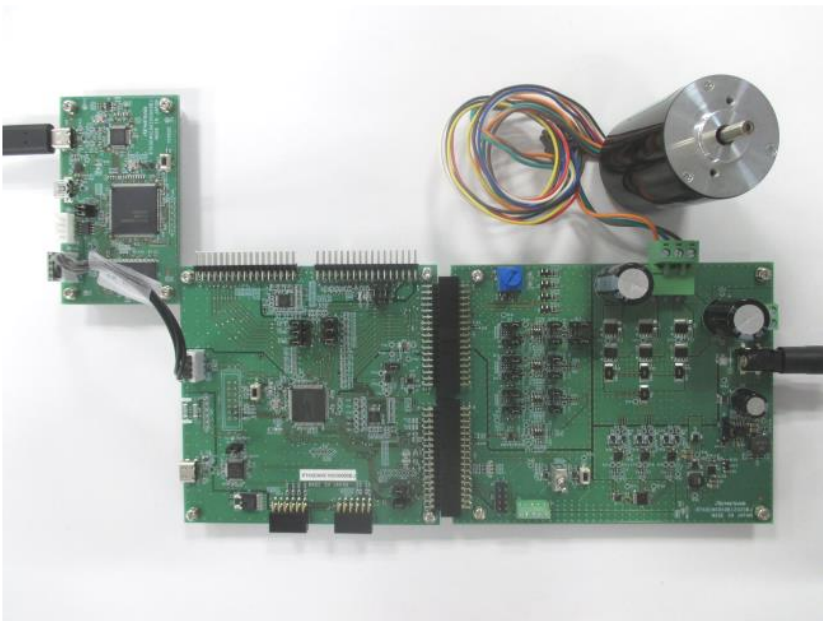

Item	Specification	
Kit product name	MCK-RX26T	
Kit product No.	RTK0EMXE70S00020BJ	
Kit configuration	Inverter Board	RTK0EM0000B12020BJ
	CPU Board	RTK0EMXE70C00000BJ
	Communication board	RTK0EMXC90Z00000BJ
	Brushless DC Motor	R42BLD30L3 (MOONS') Rated voltage : 36[V] Rated current : 1.67[A]
Isolation	Inverter board - CPU board : Non-isolated Communication board – CPU board : isolated (up to 1kV <sub>RMS</sub> )	
External view	 <p>Note: The actual product may differ from this photo.</p>	
Board size	Inverter board : 133 mm (W) x 109 mm (L) CPU board : 109 mm (W) x 109 mm (L) Communication board : 89mm(W) x 52mm(L)	
Operating temperature	Room temperature	
Operating humidity	No condensation allowed	
EMC Directive	EN61326-1:2021 EMI : Class A EMS : Basic Electromagnetic environment	

Table 4-2 MCK-RX26T specification (2/4)

Item	Specification
Product name	Inverter board
Board part No.	RTK0EM0000B12020BJ
External view	 <p>Note: The actual product may differ from this photo.</p>
Power supply	2 ways <ul style="list-style-type: none"> <li>• From DC jack or Power supply connector (DC 12~48V) *1</li> <li>• From CPU board (DC 5V)</li> </ul>
Rated output current	AC 10 A (RMS value) *2
Switching frequency	20 kHz (typical)
Current detection method	1- / 2- / 3-shunt detection
Shunt resistor	10 mohm
PWM logic	Lower arm, Upper arm : Positive logic
DC bus voltage detection (bus voltage detection)	Detection by resistance division (0 V ~ 48 V)
3-phase output voltage detection	Detection by resistance division (0 V ~ 48 V)
3-phase output current detection	With shunt resistor
Overcurrent detection function	21.4 A for AVCC=3.3V 32.4 A for AVCC=5.0V
Supporting sensor	HALL sensor, Encoder
Connector	<ul style="list-style-type: none"> <li>• CPU card connector</li> <li>• Motor connector</li> <li>• Power input connector</li> <li>• HALL sensor connector</li> <li>• Encoder/Inductive position sensor connector</li> </ul>
Switch	<ul style="list-style-type: none"> <li>• Toggle switch x1</li> <li>• Push switch x1</li> </ul>
LED	<ul style="list-style-type: none"> <li>• LED x3</li> <li>• Power LED</li> </ul>

\*1 The polarity of the DC jack (J1) is center positive. The compatible plug has an inner diameter of 2.1 mm and an outer diameter of 5.5 mm.

\*2 It is strongly recommended to attach a heat sink to the MOSFET when using over 5A.

Table 4-3 MCK-RX26T specification (3/4)



item	Specification	
Product name	CPU Board	
Board part No.	RTK0EMXE70C00000BJ	
Compatible inverter board	RTK0EM0000B12020BJ	
External view	 <p>Note: The actual product may differ from this photo.</p>	
Mounted MCU	Product group	RX26T group
	Product No.	R5F526TFCDP
	CPU maximum operating frequency	120MHz
	Bit count	32 bit
	Package / Pin count	LFQFP / 100 pin
	ROM	512KB
MCU input clock	10MHz (Generate with external crystal oscillator)	
Power supply	DC 5V,3.3V (selectable with jumper switch) Select one way automatically from the below <ul style="list-style-type: none"> <li>• Power is supplied from compatible inverter board</li> <li>• Power is supplied from USB connector</li> </ul>	
Debugger	E2OB (Onboard debugger circuit)	
Connector	<ul style="list-style-type: none"> <li>• Inverter board connector</li> <li>• USB connector for E2 OB</li> <li>• SCI connector for Renesas Motor Workbench communication</li> <li>• Through hole for CAN communication</li> <li>• Through hole for SPI communication</li> <li>• PMOD connectors</li> </ul>	
Switch	MCU reset switch	
LED	User-controllable LED x4, Power LED x1	

Table 4-4 MCK-RX26T specification (4/4)

item		Specification
Product name		Communication Board
Board part No.		RTK0EMXC90Z00000BJ
External view		 <p>Note: The actual product may differ from this photo.</p>
Mounted MCU	Product group	RX72N group
	Product No.	R5F572NNDDFB
	CPU maximum operating frequency	240MHz
	Bit count	32 bit
	Package / Pin count	LFQFP / 144 pin
	RAM	1M byte
MCU input clock		20MHz (Generate with external crystal oscillator)
Power supply		DC 5V <ul style="list-style-type: none"> <li>Power is supplied from USB connector</li> </ul>
Connector		<ul style="list-style-type: none"> <li>USB Type-C connector for PC</li> <li>SCI connector for CPU board</li> <li>USB miniB connector (not available for users)</li> </ul>
Isolation		<ul style="list-style-type: none"> <li>Between SCI connector and MCU</li> <li>Up to 1kV<sub>RMS</sub></li> </ul>
Switch		MCU external reset switch

## 4.2 Block diagram

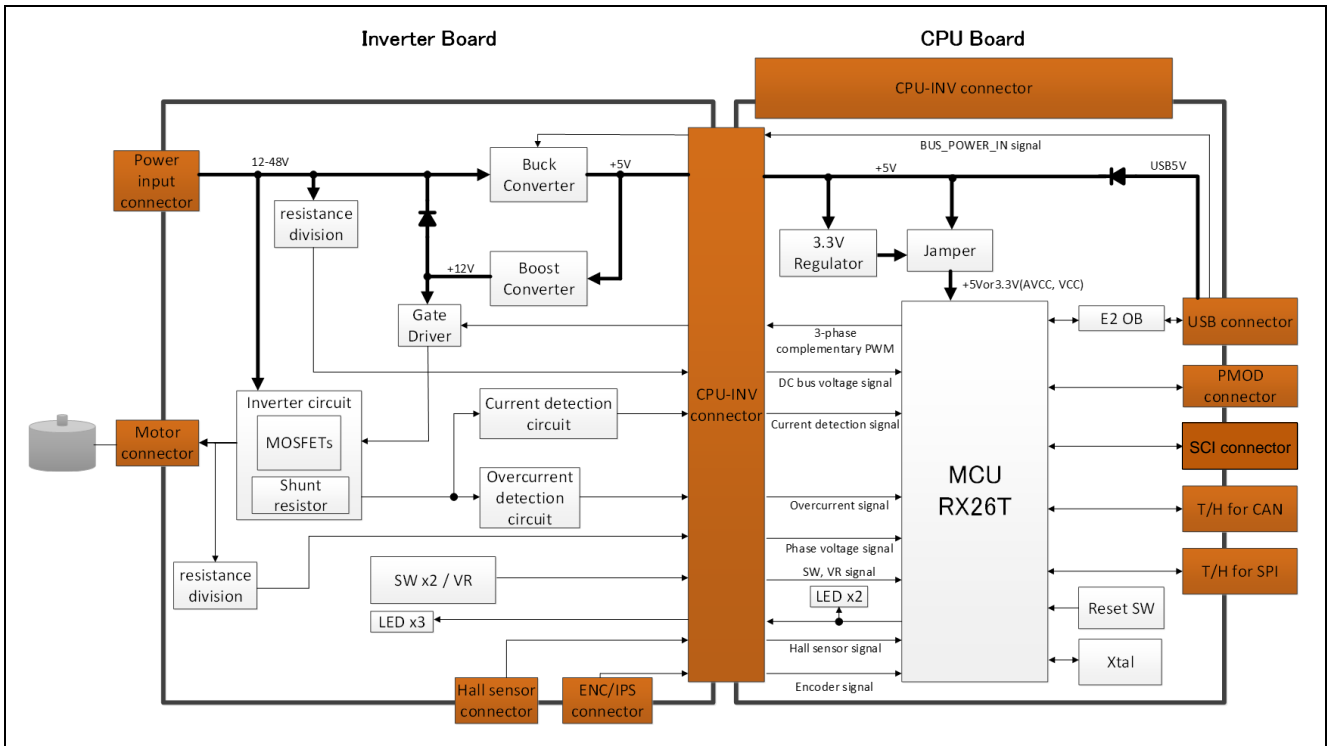


Figure 4-1 MCK-RX26T block diagram

### 4.3 Board Layout

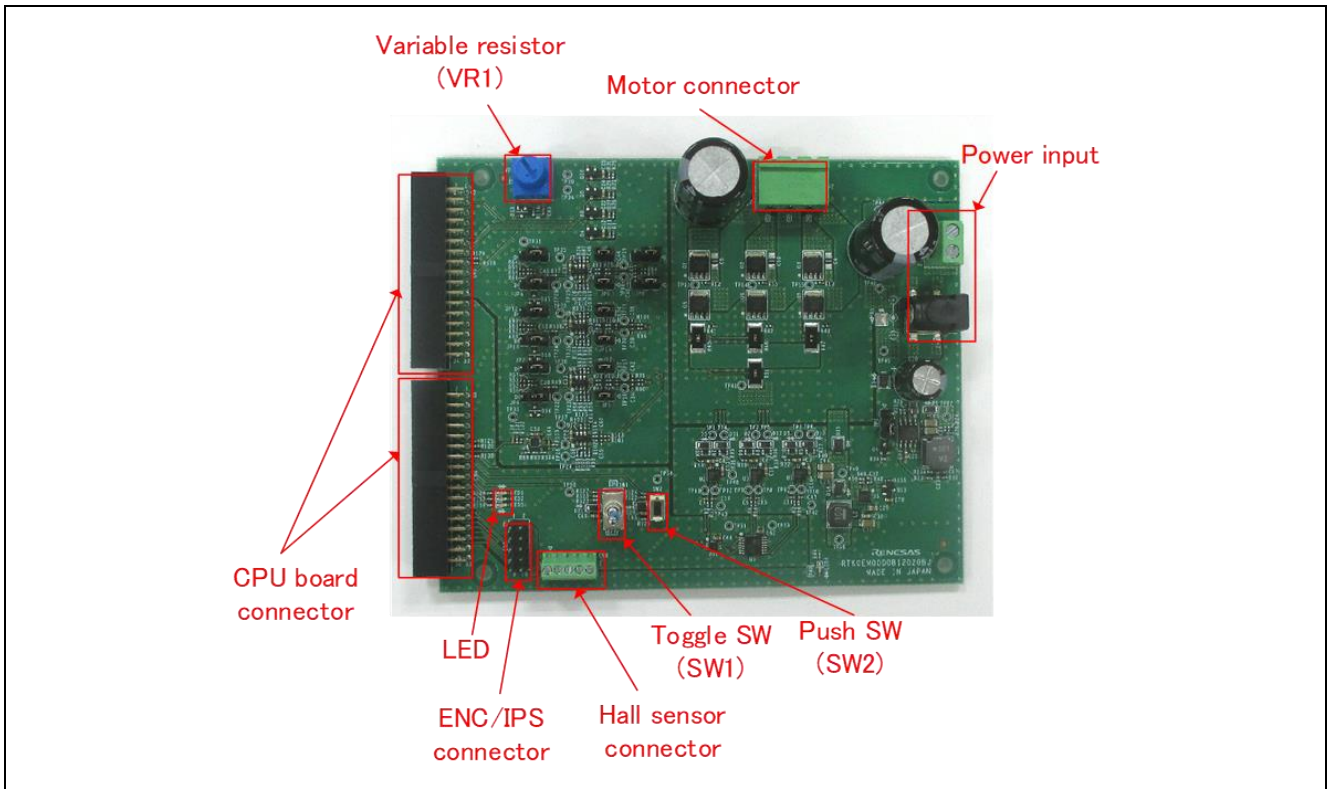


Figure 4-2 Inverter board Layout

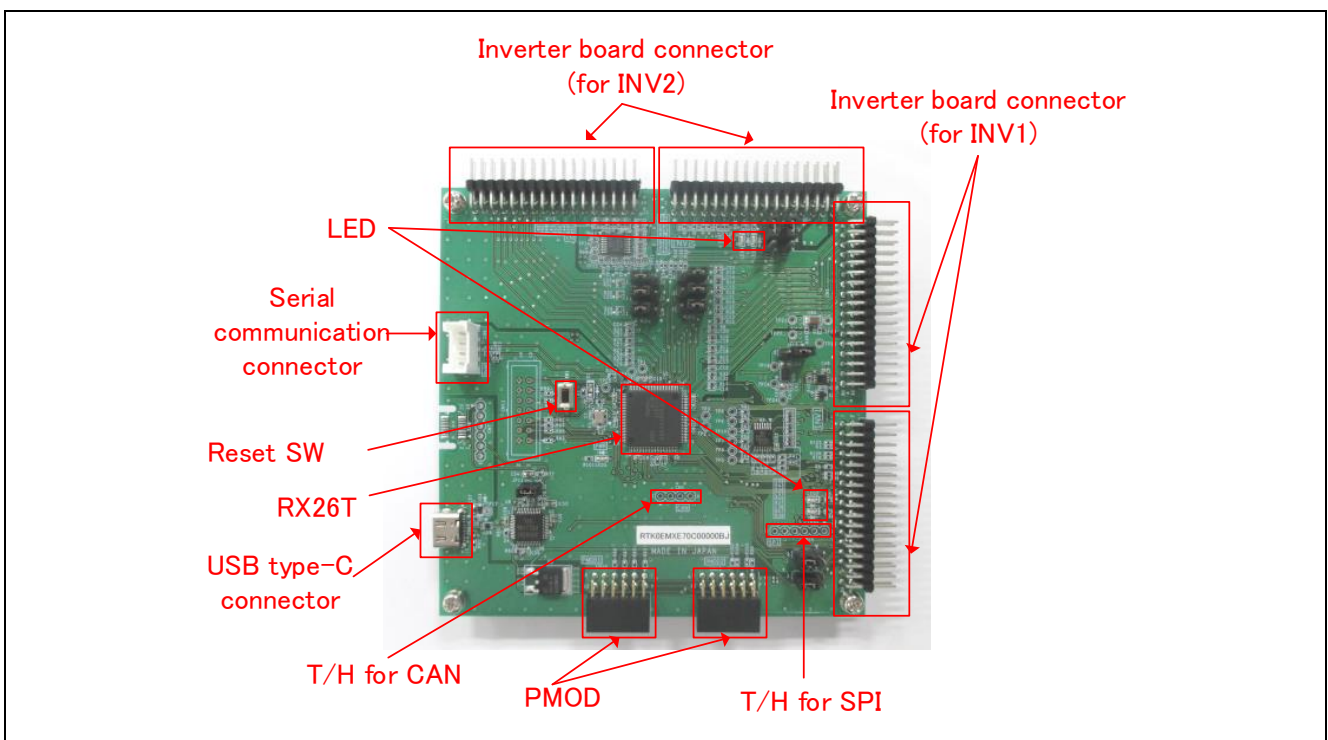


Figure 4-3 CPU Board Layout

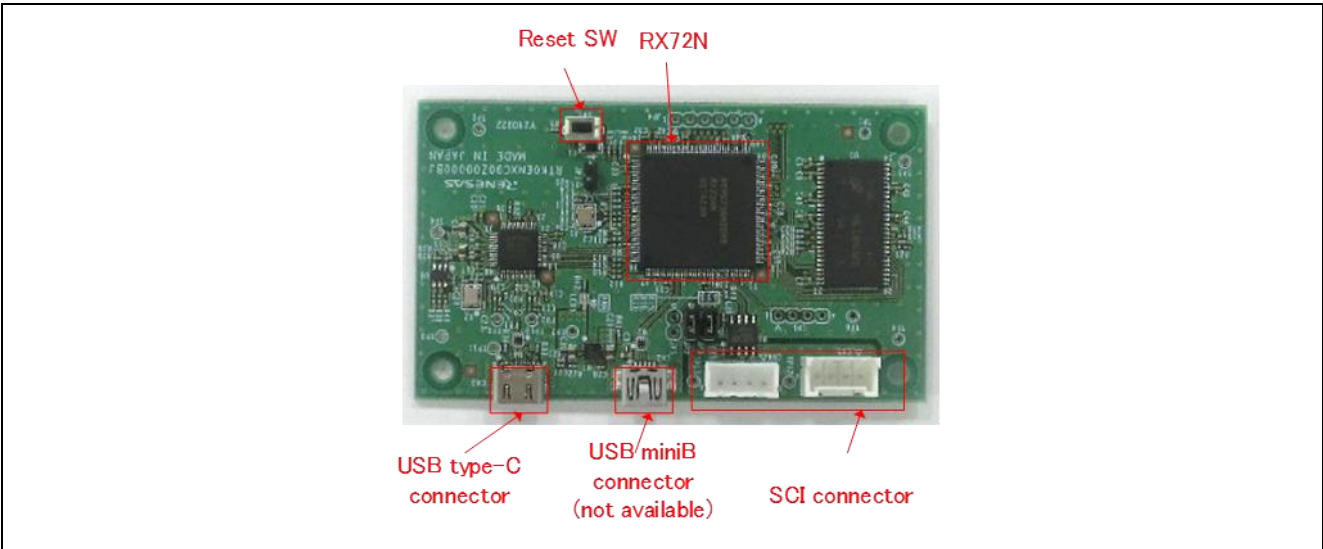


Figure 4-4 Communication board Layout

### 4.4 Standoffs and Screws

Before using this product, assemble the included standoffs and screws as shown below.

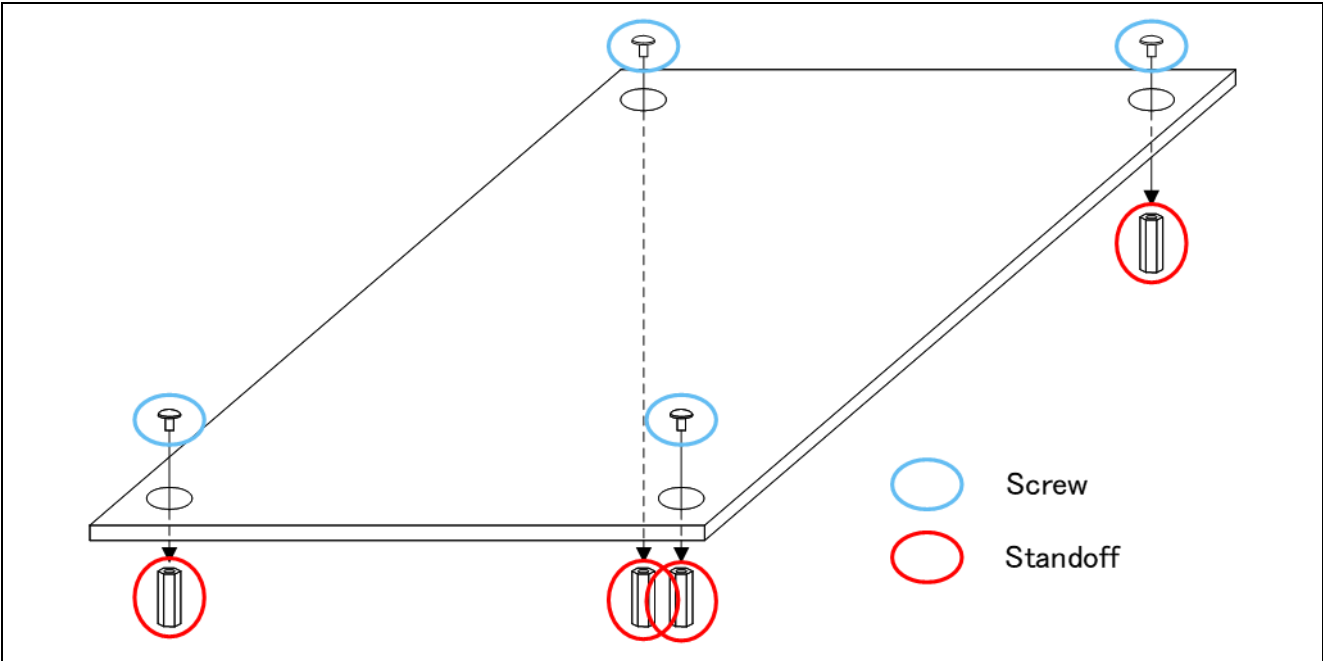


Figure 4-5 Standoffs and Screws assembly



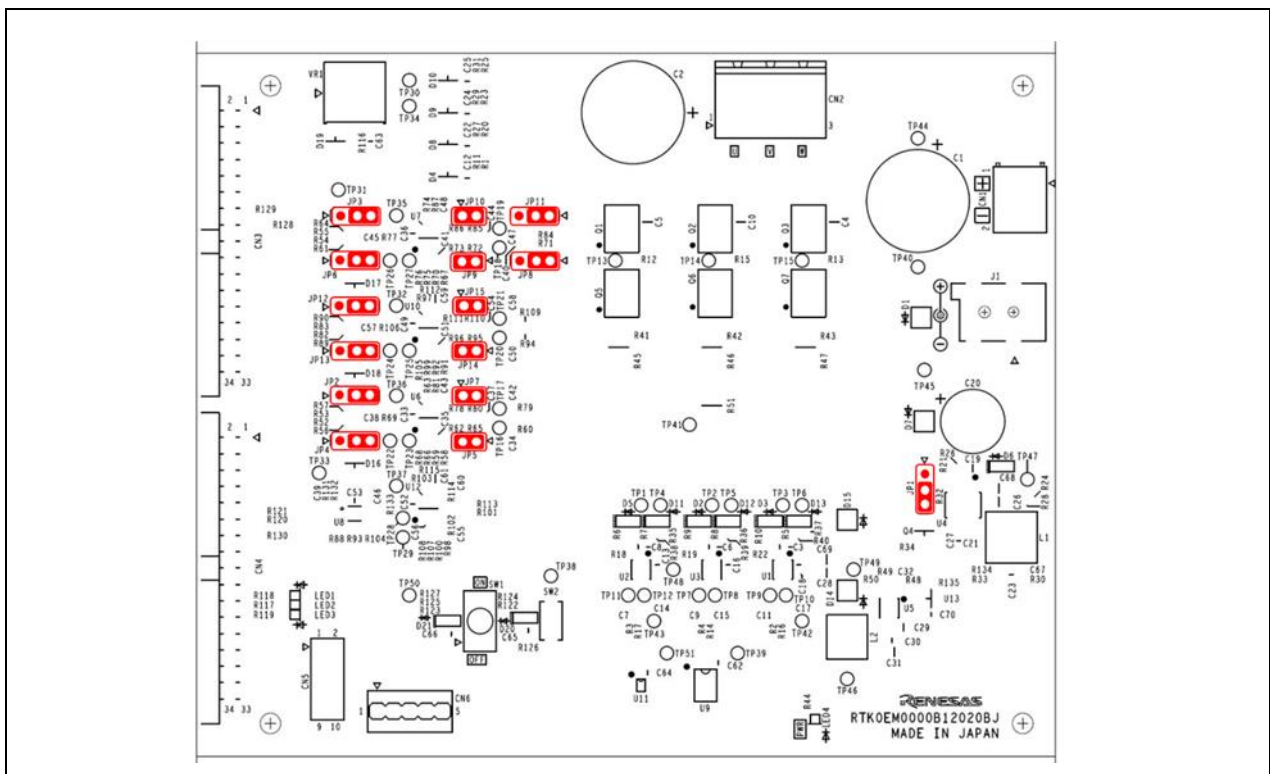
## 4.5 Jumper pin setting

### 4.5.1 Inverter board

Default settings and functions of the jumper pins (JP1~JP15) are as follows.

**Table 4-5 Jumper pin setting of Inverter board**

JP No.	Default setting	Function
JP1	2-3pin short	1-2pin short : Disable 5V regulator 2-3pin short : Enable 5V regulator
JP2, JP3, JP4, JP6, JP12, JP13	2-3pin short	1-2pin short : Disable current detection amplifiers 2-3pin short : Enable current detection amplifiers
JP5, JP7, JP9, JP10, JP14, JP15	1-2pin short	1-2pin short : Current detection amplifier gain = 20 1-2pin open : Current detection amplifier gain = 10
JP8, JP11	1-2pin short	1-2pin short : 2-/3-shunt current detection 2-3pin short : 1-shunt current detection



**Figure 4-6 Default jumper pin setting of Inverter board**

## 4.5.2 CPU board

Default settings and functions of the jumper pins (JP1~JP12) are as follows.

Table 4-6 Jumper pin setting of CPU board

JP No.	Function	Setting (function in use)			Default setting
		open	1-2 short	2-3 short	
1	IPS/VU select (INV1)	N/A	VU	IPS	1-2 short
2	IPS/VV select (INV1)	N/A	VV	IPS	1-2 short
3	IPS/VW select (INV1)	N/A	VW	IPS	1-2 short
4	IPS/VU select (INV2)	N/A	VU	IPS	1-2 short
5	IPS/VV select (INV2)	N/A	VV	IPS	1-2 short
6	IPS/VW select (INV2)	N/A	VW	IPS	1-2 short
7	IPS/ENC select (INV1)	N/A	IPS	ENC	2-3 short
8	IPS/ENC select (INV1)	N/A	IPS	ENC	2-3 short
9	IPS/ENC select (INV2)	N/A	IPS	ENC	2-3 short
10	IPS/ENC select (INV2)	N/A	IPS	ENC	2-3 short
11	On-board debugger	Enabled	Disabled	N/A	1-2 short
12	MCU operation voltage	N/A	5V	3.3V	1-2 short

IPS : Inductive Position Sensor  
ENC : Encoder

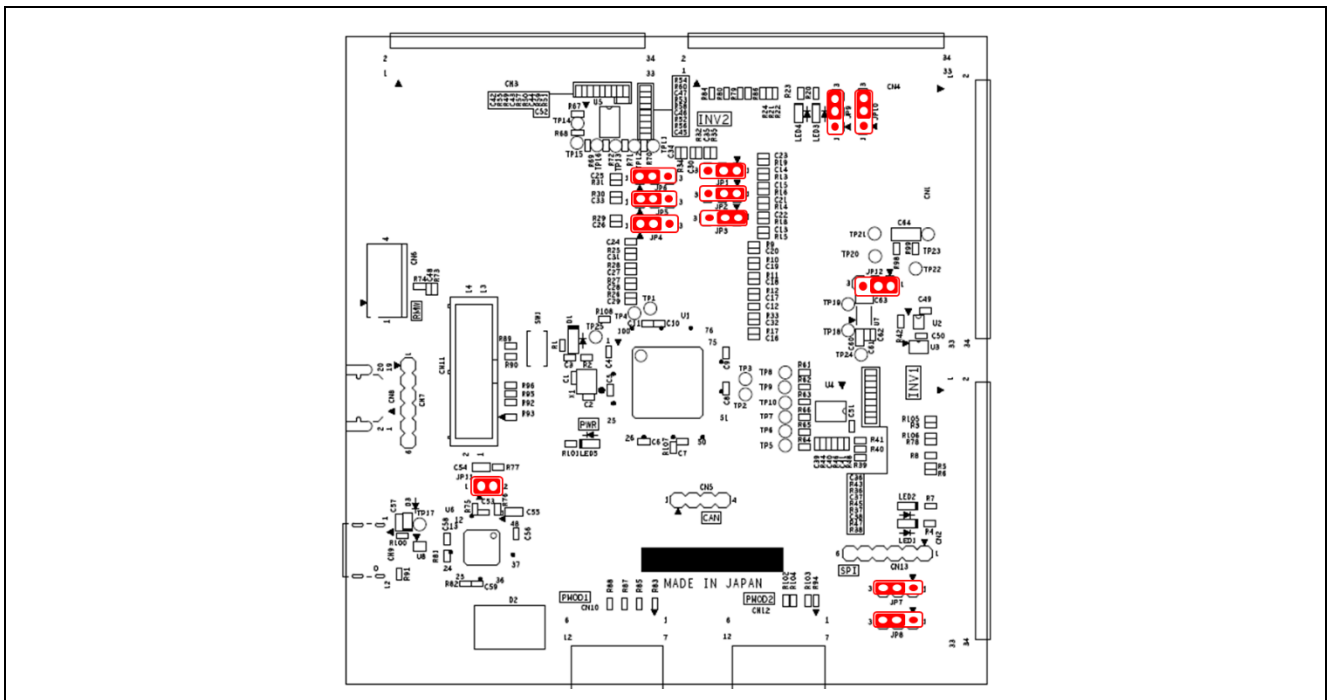


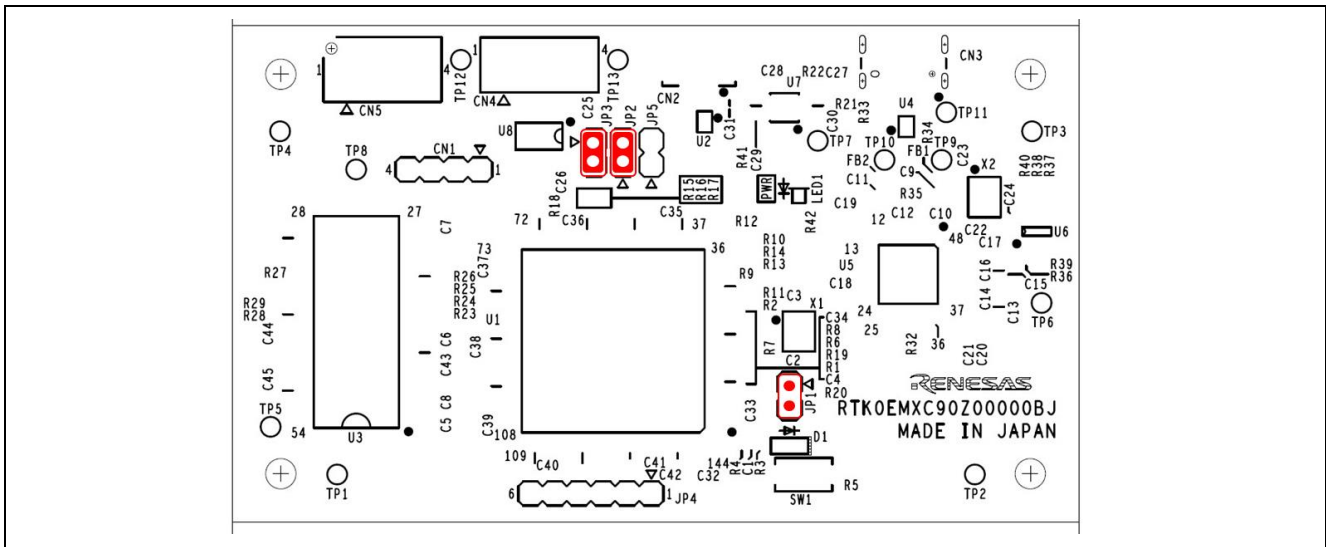
Figure 4-7 Default jumper pin setting of CPU board

### 4.5.3 Communication board

Default settings and functions of the jumper pins (JP1~JP3) are as follows.

**Table 4-7 Jumper pin setting of Communication board**

Jumper pin	Default setting	Function
JP1	1-2pin open	1-2pin short : Enable pull-up for MD port (Not available) 1-2pin open : Enable pull-up for MD port
JP2	1-2pin short	1-2pin short : Disable pull-up for GPIO(PC6) 1-2pin open : Enable pull-up for GPIO(PC6)
JP3	1-2pin short	1-2pin short : Disable pull-up for GPIO(PC5) 1-2pin open : Enable pull-up for GPIO(PC5)



**Figure 4-8 Default jumper pin setting of Communication board**

## 4.6 Hardware Setup

### 4.6.1 Board Connection

When using this product for motor control evaluation, connect the boards as shown in Figure 4-9. Note that the connector between the CPU board and the inverter board is a tight fit, so be careful not to bend the pins when connecting or disconnecting.

Please refer to 4.6.2 for the power supply method. In Figure 4-9 the power is supplied from the AC adaptor. The RX26T CPU board supports a maximum of two-motor control and can be connected as shown in Figure 6-2 shown later, if you prepare an additional inverter board and motor.

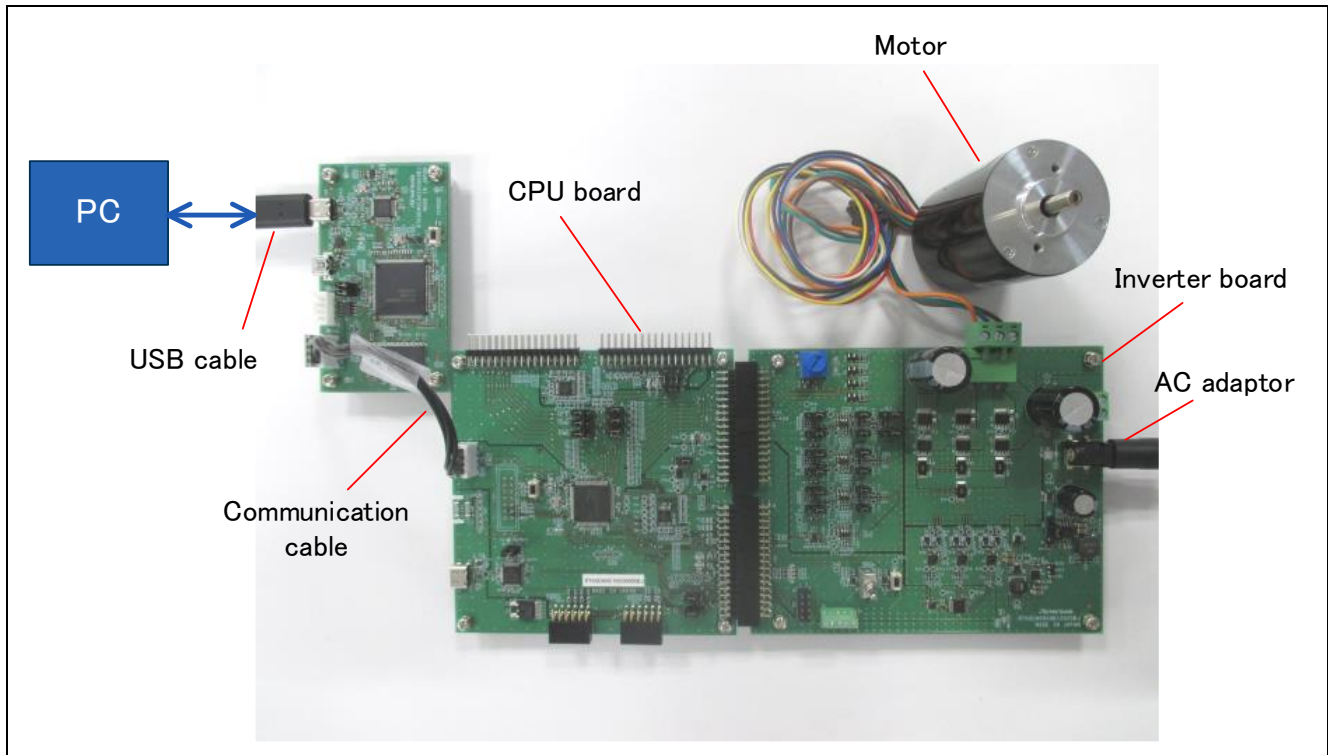


Figure 4-9 Board connection

## 4.6.2 Power Supply

There are three ways to supply power to the CPU board and inverter board, and the power supply for the communication board is independent of the CPU board and inverter board and is supplied at 5V from the USB connector.

### (1) From DC jack

Use an AC adapter or something similar to supply power from the DC jack (J1) on the inverter board. The compatible plug has an outer diameter of 5.5 mm, an inner diameter of 2.1 mm, and a polarity of center positive. The input voltage range is 12 to 48V.

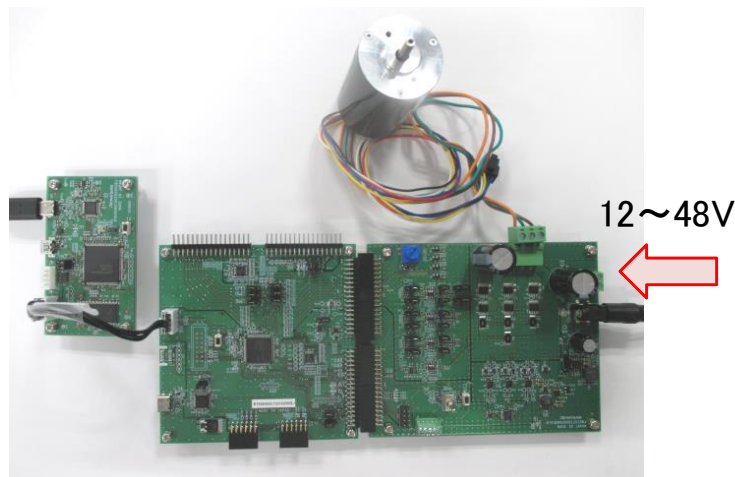


Figure 4-10 Power supply from DC jack

### (2) From terminal block

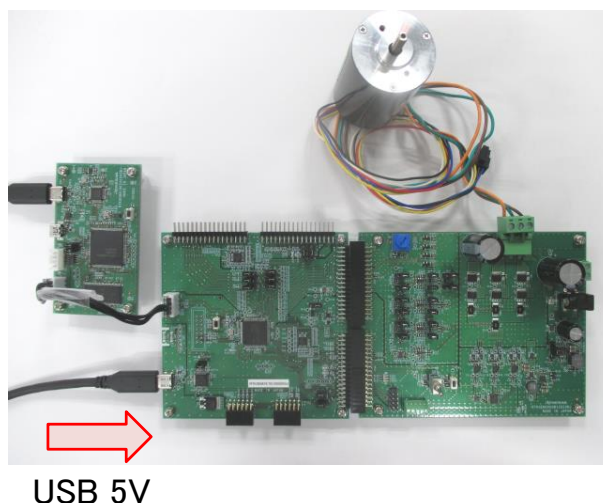
Supply power from the terminal block (CN1) of the inverter board using a DC stabilized power supply or the like. The polarity should follow the silk indication ("+", "-") on the board. The input voltage range is 12 to 48V.



Figure 4-11 Power supply from terminal block

**(3) From USB connector**

5V power is supplied from the USB connector (Type-C) on the CPU board. Use a USB adapter capable of outputting 1A or more so that the motor can be driven sufficiently.



**Figure 4-12 Power supply from USB connector**

It is also possible to supply power from the USB connector on the CPU board and the DC jack or terminal block on the inverter board at the same time. In this case, the MCU drive voltage of 3.3V and the gate driver drive voltage are generated from the USB supply of 5V, while the motor drive voltage is supplied from the DC jack or terminal block. Please refer to Table 4-8 for the power supply conditions and each voltage generation.

**Table 4-8 Power supply and driving voltage generation**

			Case 1	Case 2	Case 3
Power supply condition	CPU board	USB 5V *1	✓	-	✓
	Inverter board	External power (12~48V) *2	-	✓	✓
Power source for	CPU board	I/O (VCC, 3.3V)	[A]	[B]	[A]
		BUS (5V)	[A]	[B]	[A]
	Inverter board	I/O (VCC, 3.3V)	[A]	[B]	[A]
		BUS (5V)	[A]	[B]	[A]
		Gate driver (11.4V)	[A]	[B]	[A]
		Motor drive (11.4V or 12~48V)	[A]	[B]	[B]

Power supply condition:

✓ : supplied

- : not supplied

Driving voltage generation

[A]: generated from USB 5V on CPU board

[B]: generated from external power on inverter board

1 Motor drive current of 1 A or more may be required for each inverter board.

\*2 When connecting two inverter boards to the CPU board and also inputting an external power supply to INV2, it is necessary to supply an external power supply (which can be different from INV2) to INV1 as well, or to supply USB 5V to the CPU board.

## 5. Inverter Board Specification

This section describes inverter board specification.

### 5.1 Functions

#### 5.1.1 Inverter control circuit block

The inverter board has the inverter control circuit block which controls the motor with 6 POWER MOSFETs. POWER MOSFET is controlled with 6-phase timer output of MCU.

The inverter control circuit block outputs DC bus voltage, U, V and W phase voltage and shunt current to the connectors (CN3, CN4). By inputting these output voltages to A/D of MCU on the CPU card, analog values of the voltage and the shunt current of each phase can be measured. Refer to

5.1.2 for the current detection and refer to 5.1.4 for the voltage detection, respectively. Also function to detect overcurrent from the input current is available. Refer to 5.1.3 for details.

An illustration of the inverter control circuit block is shown in Figure 5-1. In the actual circuit, some inputs on the A/D pins are via voltage dividers and offsets and so on. Refer to the circuit diagram for details.

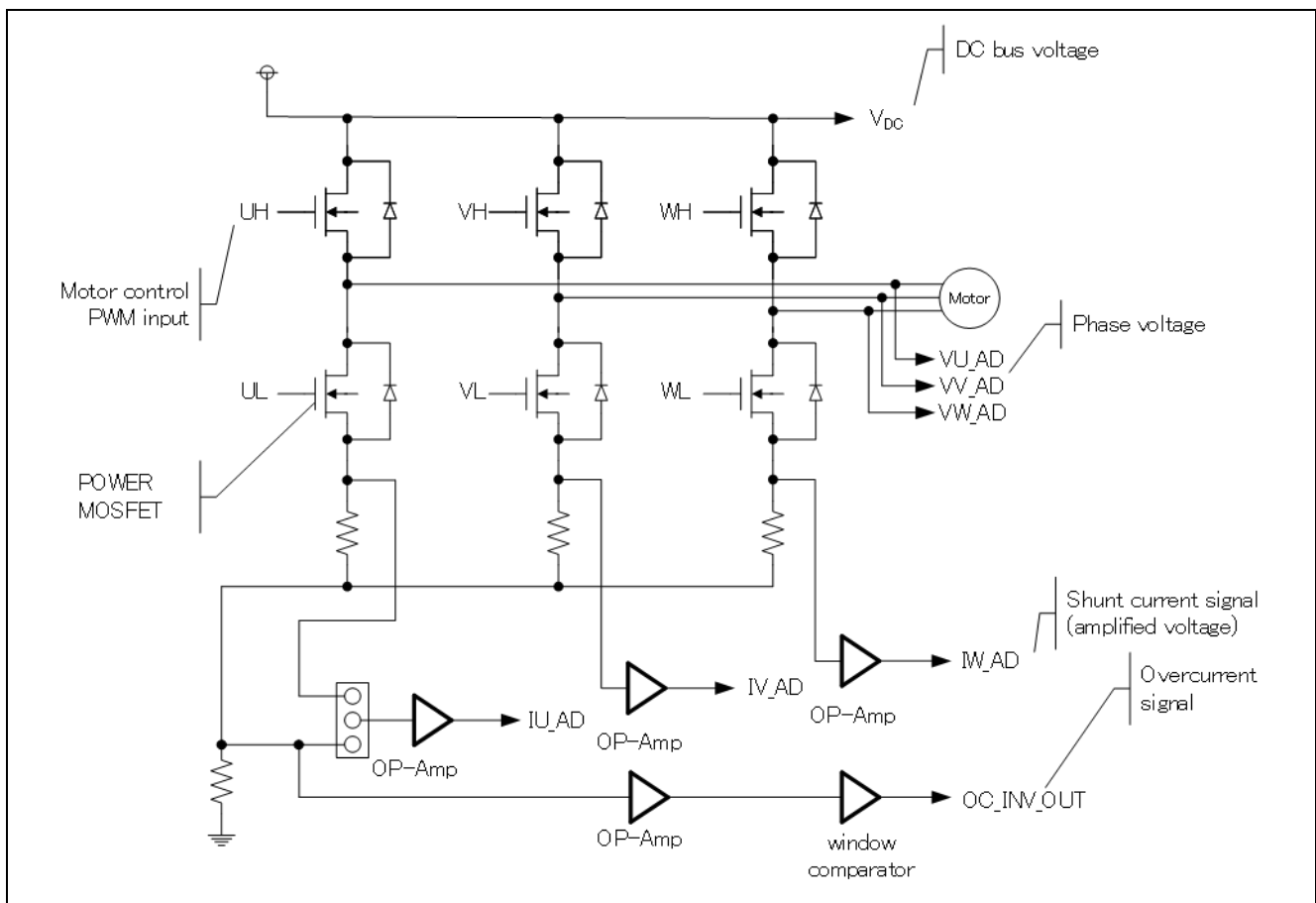


Figure 5-1 Illustration of inverter control circuit block

### 5.1.2 Current detection circuit

The inverter board has the current detection circuit to measure the current at the U, V and W phase. The current detection circuit uses shunt resistor at each phase. Voltage drop caused by the current flowing through the shunt resistor is amplified by the current detection amplifier to output. The default gain of the current detection amplifier is set to 20x, but the gain can be changed to 10x by setting JP5, JP7, JP9, JP10, JP14, and JP15 to open. The relationship between the current  $I_{in}$  flowing through the shunt resistor and the voltage  $V_{out}$  output from the current detection circuit is shown in equations (1) and (2). In addition, by switching JP8 and JP11 to 2-3 pin short circuit, one shunt current detection can be supported.

$$\text{Amplifier gain } 10x : V_{out}[V] = I_{in}[A] \times R_s[\Omega] \times 10 + AVCC/2 \quad (1)$$

$$\text{Amplifier gain } 20x : V_{out}[V] = I_{in}[A] \times R_s[\Omega] \times 20 + AVCC/2 \quad (2)$$

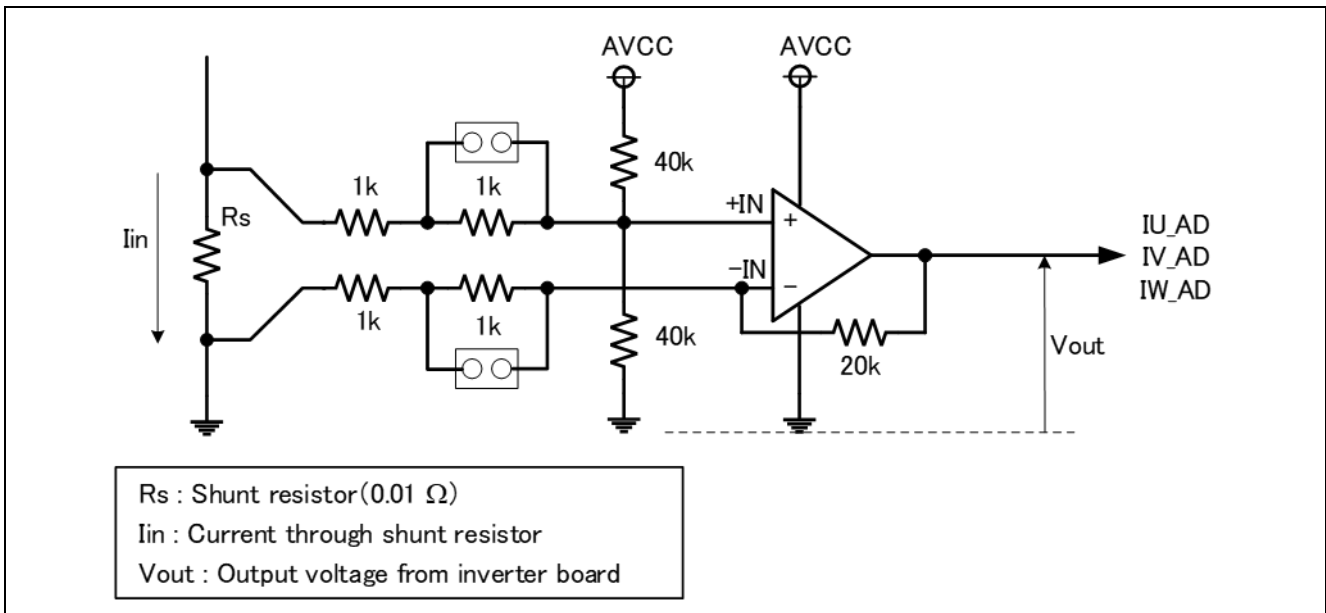


Figure 5-2 Current detection circuit



### 5.1.3 Overcurrent detection circuit

Detect the overcurrent from the input current, using the overcurrent detection circuit illustrated in Figure 5-3. If the current value is within the range of threshold, OC\_INV\_OUT is HIGH, and this changes to LOW if overcurrent is detected. Therefore, you can protect the board and motor by monitoring the over current detection signal and setting PWM signals for gate driver to LOW or Hi-Z if the over current detection signal changes to LOW. As the value of the shunt resistor  $R_s$  is 10 m $\Omega$ , the threshold current for over current detection is 21.4A for AVCC=3.3V and 32.4A for AVCC=5.0V, respectively.

The overcurrent detection circuit does not directly protect the board and motor. Protect them by performing appropriate processing with equipment such as microcontroller.

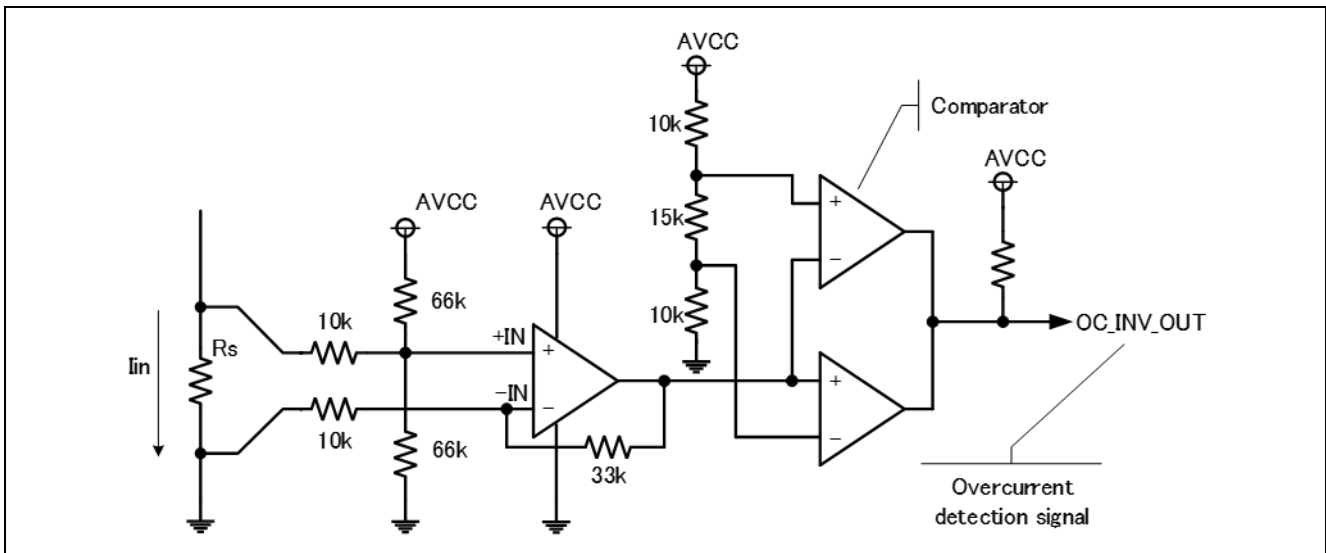


Figure 5-3 Overcurrent detection circuit

### 5.1.4 Output voltage detection circuit

The INV-BRD has the circuit that inputs bus voltage and three-phase output voltage (U, V and W phase) into the AD pin of the microcontroller through resistive voltage divider. Relation between the three-phase output voltage, the bus voltage and the detection voltage is described by the below equation (3).

$$V_{out}[V] = \frac{470}{10 \times 10^3 + 470} \times V_{in}[V] \quad (3)$$

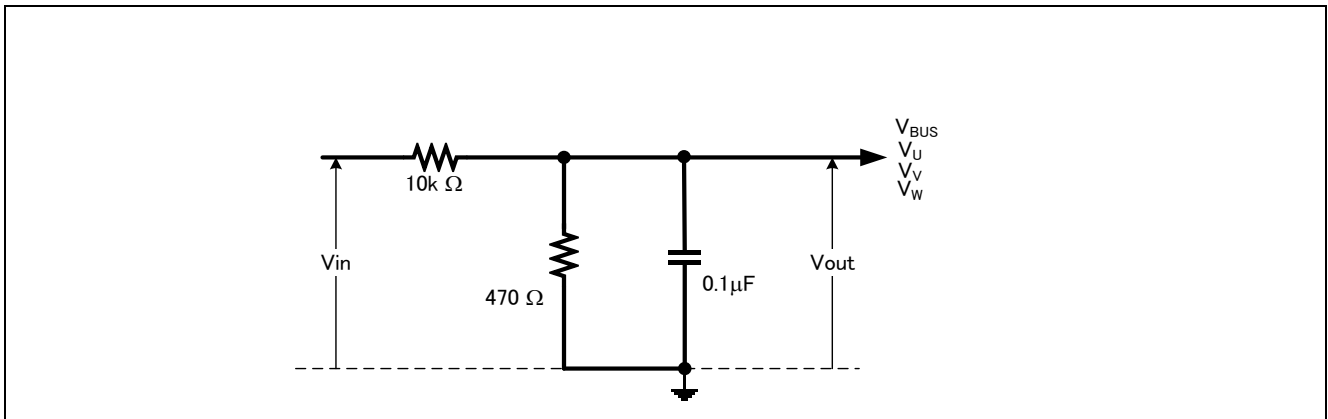


Figure 5-4 Output voltage detection circuit

### 5.1.5 Voltage generation circuit

On the INV-BRD, the gate driver voltage ("12V" in the schematic) is generated from the 5V power supply ("5V" in the schematic) with the boost converter. If 5V is not supplied from the CPU board, the buck converter on the INV-BRD generates 5V from the voltage input (12 to 48V) from the DC jack or terminal block.

Table 5-1 Voltage generation

Item	Input voltage [V]	Output voltage (TYP.) [V]	Output current (Max) [A]
5V generation	12~48	5	0.6
Gate driver voltage generation	5	11.4	-

### 5.1.6 LED

The INV-BRD has three LEDs which the user can control. The LED ON/OFF is controlled by the pin state.

**Table 5-2 LED**

Connector pin		LED1	LED2	LED3
CN4-18	HIGH	OFF	-	-
	LOW	ON	-	-
CN4-19	HIGH	-	OFF	-
	LOW	-	ON	-
CN4-20	HIGH	-	-	OFF
	LOW	-	-	ON

### 5.1.7 Toggle switch and push switch

The INV-BRD has toggle switch (SW1) and push switch (SW2). The pin voltage is controlled by the state of them.

**Table 5-3 Toggle switch and push switch**

Connector pin		SW1	SW2
CN4-16	HIGH	ON	-
	LOW	OFF	-
CN4-17	HIGH	-	RELEASE
	LOW	-	PUSH

### 5.1.8 Variable resistor

The INV-BRD has a variable resistor (VR1). If turning the variable resistor clockwise, terminal voltage of the variable resistor (CN3-17) becomes low. If turning it counterclockwise, the voltage becomes high.

**Table 5-4 Variable resistance specification**

Item	Specification
Input voltage range	0~AVCC
Variable resistor range	0~10kΩ

## 5.2 Pin assignment

### 5.2.1 CPU board connector

Table 5-5 CPU board connector (CN3)

Pin No.	Output direction	Signal
1	-	SPARE1
2	-	AGND
3	To CPU	DC bus voltage detection
4	-	AGND
5	To CPU	U-phase current detection
6	To CPU	U-phase current detection (PGAVSS)
7	To CPU	V-phase current detection
8	To CPU	V-phase current detection (PGAVSS)
9	To CPU	W-phase current detection
10	To CPU	W-phase current detection (PGAVSS)
11	To CPU	U-phase voltage detection
12	To CPU	V-phase voltage detection
13	To CPU	W-phase voltage detection
14	-	AGND
15	To CPU	VPFC_AD
16	To CPU	IPFC_AD
17	To CPU	VR1
18	-	AGND
19	-	AVCC
20	-	AVCC
21	-	AGND
22	-	AGND
23	-	VCC
24	-	VCC
25	-	DGND
26	-	DGND
27	To INV	PWM U-phase (Lower)
28	-	DGND
29	To INV	PWM U-phase (Upper)
30	-	DGND
31	To INV	PWM V-phase (Lower)
32	-	DGND
33	To INV	PWM V-phase (Upper)
34	-	DGND

Table 5-6 CPU board connector (CN4)

Pin No.	Output direction	Signal
1	To INV	PWM W-phase (Lower)
2	-	DGND
3	To INV	PWM W-phase (Upper)
4	-	DGND
5	-	SPARE2
6	-	SPARE3
7	-	SPARE4
8	-	SPARE5
9	To INV	Bus power signal from CPU board
10	To CPU	Inverter connected signal
11	To CPU	Save interlock signal
12	To CPU	Over current detection
13	To CPU	OC_PFC_OUT
14	To INV	PWM_IN
15	To INV	RELAY_IN
16	To CPU	SW1
17	To CPU	SW2
18	To INV	LED1
19	To INV	LED2
20	To INV	LED3
21	To CPU	HALL U
22	To CPU	HALL V
23	To CPU	HALL W
24	To CPU	IPS_SIO_SDA
25	To CPU	IPS_SCK_SCL
26	To CPU	IPS_CSN_IRQN/Encoder Z
27	To CPU	IPS_A/ Encoder A
28	To CPU	IPS_A#/ Encoder A#
29	To CPU	IPS_B/ Encoder B#
30	To CPU	IPS_B#/ Encoder B#
31	-	AGND
32	-	AGND
33	-	+5V
34	-	+5V

## 5.2.2 Hall sensor signal input

This product has connector for hall sensor signal input. Pin assignment of it is listed in Table 5-7.

**Table 5-7 Connector for hall sensor signal input (CN6) pin assignment**

Pin No.	Pin Function
1	DGND
2	+5V
3	HALL_W
4	HALL_V
5	HALL_U

## 5.2.3 Encoder/Inductive position sensor signal input

This product has pins for encoder/inductive position sensor signal input. Pin assignment for them is listed in Table 5-8.

**Table 5-8 Pins for encoder/inductive position sensor signal input (CN5) pin assignment**

Pin No.	Pin function
1	VCC
2	+5V
3	CSN_IRQN/ENC_Z
4	SIO_SDA
5	SCK_SCL
6	IPS_A/ENC_A
7	IPS_A#/ENC_A#
8	IPS_B/ENC_B
9	IPS_B#/ENC_B#
10	DGND

## 6. CPU Board Specification

This section describes the specification of the CPU Board.

### 6.1 Functions

#### 6.1.1 Power supply

When not connected to the inverter board, power should be supplied from the USB connector. When connecting to the inverter board, power supply from the USB connector or from the inverter board will be automatically selected. USB power supply has priority. The MCU operation voltage can be selected at either 5 V or 3.3 V for this product. The operation voltage is switched with JP12 as shown in Table 4-6.

#### 6.1.2 On-board debugger

This product has the on-board debugger circuit, E2 On-Board (hereinafter called "E2OB"). You can write a program (firmware) of RX26T with it. When you write a program, open (remove) JP11 and connect the CPU board to PC with USB cable. E2OB operates as debugger equivalent to E2 emulator Lite. If connecting from Integrated Development Environment or flash programming tool (e.g. Renesas Flash Programmer), set the type of debugger (tool) to "E2 emulator Lite".

After writing a program, short JP11 for CPU board operation.

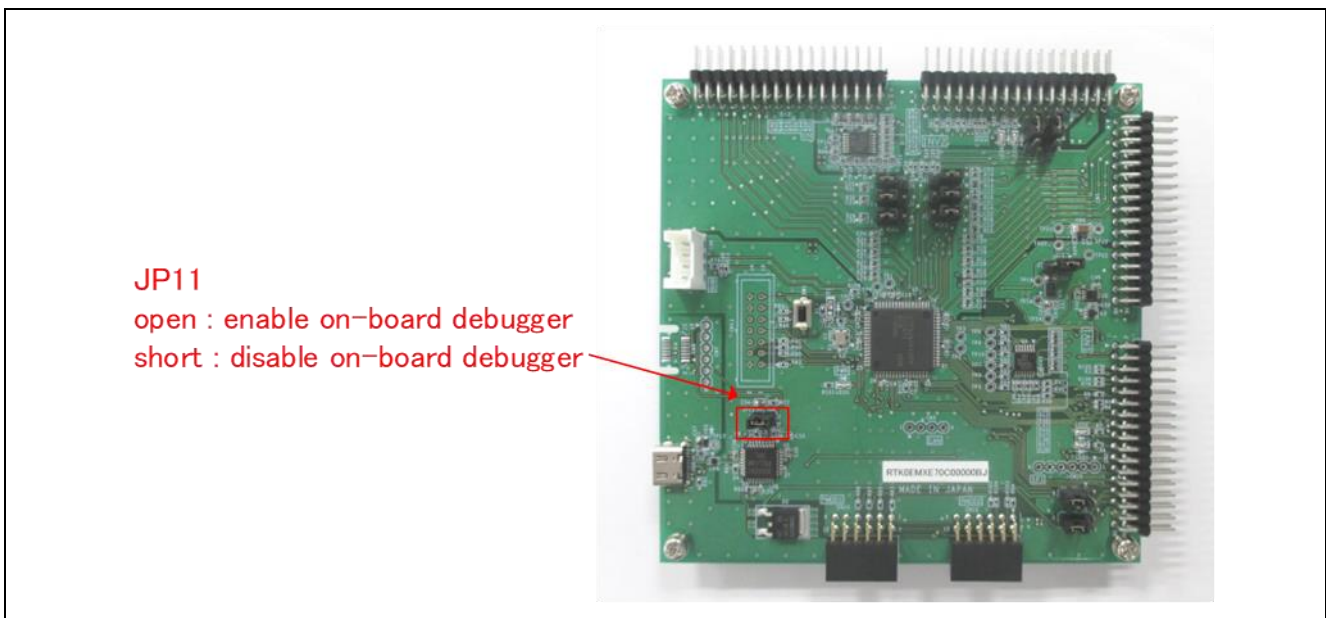


Figure 6-1 JP11 setting

### 6.1.3 Inverter board connector

Max 2 inverter boards can be connected to this product. 1st inverter board is connected with CN1 and CN2, and 2nd inverter board is connected with CN3 and CN4. The pin assignments of the connectors are shown in Table 6-1, Table 6-2, Table 6-3, Table 6-4.

**Table 6-1 1st inverter board connector (CN1) pin assignment**

Pin No.	Pin Function	RX26T Pin	Pin No.	Pin Function	RX26T Pin
1	NC	-	2	AGND	- (AVSS)
3	VPN	P43/AN003	4	AGND	- (AVSS)
5	IU	P40/AN000	6	NC	-
7	IV	P41/AN001	8	NC	-
9	IW	P42/AN002	10	NC	-
11	VU	P51/AN205	12	VV	P52/AN200
13	VW	P53/AN201	14	AGND	- (AVSS)
15	NC	-	16	NC	-
17	VR	P50/AN204	18	AGND	- (AVSS)
19	AVCC	- (AVCC)	20	AVCC	- (AVCC)
21	AGND	- (AVSS)	22	AGND	- (AVSS)
23	VCC	- (VCC)	24	VCC	- (VCC)
25	GND	- (VSS)	26	GND	- (VSS)
27	UN	P76/GTIOC2B	28	GND	- (VSS)
29	UP	P73/GTIOC2A	30	GND	- (VSS)
31	VN	P75/GTIOC1B	32	GND	- (VSS)
33	VP	P72/GTIOC1A	34	GND	- (VSS)

**Table 6-2 1st inverter board connector (CN2) pin assignment**

Pin No.	Pin Function	RX26T Pin	Pin No.	Pin Function	RX26T Pin
1	WN	P74/GTIOC0B	2	GND	- (VSS)
3	WP	P71/GTIOC0A	4	GND	- (VSS)
5	DRV_SCK	P91/RSPCK1	6	DRV_RXD	P93/MOSI1
7	DRV_TXD	P92/MISO1	8	DRV_CS	PA2/SSLA1
9	BUS_POWER_IN	-	10	INV_CONNECTED	-
11	SAFE_LOCK	-	12	OC#	P70/GTETRGB
13	DRV_nFault	PA5	14	DRV_EN	PB14/GTIOC1A
15	CON_MOT_SEL	PA3	16	SW1	P23
17	SW2	P22	18	LED1	P21
19	LED2	P20	20	NC	-
21	HALL_U	P30/IRQ7	22	HALL_V	P27/IRQ15
23	HALL_W	P24/IRQ4	24	SIO_SDA	PB2/SDA
25	SCK_SCL	PB1/SCL	26	CSN_IRQN/ENC_Z	P31/MTIOC0A
27	IPS_A ENC_A	P53/AN201 P33/MTCLKA	28	IPS_A#/ENC_A#	P52/AN200
29	IPS_B ENC_B	P51/AN205 P32/MTCLKB	30	IPS_B#/ENC_B#	P54/AN202
31	GND	- (VSS)	32	GND	- (VSS)
33	+5V	-	34	+5V	-



Table 6-3 2nd inverter board connector (CN4) pin assignment

Pin No.	Pin Function	RX26T Pin	Pin No.	Pin Function	RX26T Pin
1	NC	-	2	AGND	- (AVSS)
3	VPN	P47/AN103	4	AGND	- (AVSS)
5	IU	P44/AN100	6	NC	-
7	IV	P45/AN101	8	NC	-
9	IW	P46/AN102	10	NC	-
11	VU	P60/AN206	12	VV	P61/AN207
13	VW	P62/AN208	14	AGND	- (AVSS)
15	NC	-	16	NC	-
17	VR	P55/AN203	18	AGND	- (AVSS)
19	AVCC	- (AVCC)	20	AVCC	- (AVCC)
21	AGND	- (AVSS)	22	AGND	- (AVSS)
23	VCC	- (VCC)	24	VCC	- (VCC)
25	GND	- (VSS)	26	GND	- (VSS)
27	UN	P92/GTIOC4B	28	GND	- (VSS)
29	UP	P95/GTIOC4A	30	GND	- (VSS)
31	VN	P91/GTIOC5B	32	GND	- (VSS)
33	VP	P94/GTIOC5A	34	GND	- (VSS)

Table 6-4 2nd inverter board connector (CN4) pin assignment

Pin No.	Pin Function	RX26T Pin	Pin No.	Pin Function	RX26T Pin
1	WN	P90/GTIOC6B	2	GND	- (VSS)
3	WP	P93/GTIOC6A	4	GND	- (VSS)
5	DRV_SCK	P91/RSPCK1	6	DRV_RXD	P93/MOSI1
7	DRV_TXD	P92/MISO1	8	DRV_CS	P94/SSLA0
9	BUS_POWER_IN	-	10	INV_CONNECTED	-
11	SAFE_LOCK	-	12	OC#	P01/GTETRGA
13	DRV_nFault	P96	14	DRV_EN	P95/GTIOC4A
15	CON_MOT_SEL	P90	16	SW1	PE1
17	SW2	P82	18	LED1	P65
19	LED2	P64	20	NC	-
21	HALL_U	PE4/IRQ1	22	HALL_V	PE3/IRQ2
23	HALL_W	PE2/IRQ0	24	SIO_SDA	PB2/SDA
25	SCK_SCL	PB1/SCL	26	CSN_IRQN/ENC_Z	PE5/MTIOC9D
27	IPS_A ENC_A	P62/AN208 P11/MTCLKC	28	IPS_A#/ENC_A#	P61/AN207
29	IPS_B ENC_B	P60/AN206 P10/MTCLKD	30	IPS_B#/ENC_B#	P63/AN209
31	GND	- (VSS)	32	GND	- (VSS)
33	+5V	-	34	+5V	-

Figure 6-2 show a connection example when using this product with the inverter board and the communication board. And also see 4.6.2 for power supply.



(1)CPU board + INV board  
(connected with CN1,CN2)

(2)CPU board + INV board  
(connected with CN3,CN4)

(3)CPU board + INV board × 2

**Figure 6-2 Board connection of CPU board, INV board and COM board**

### 6.1.4 Serial communication

For serial communication using Renesas Motor Workbench, the CPU board has SCI connector. Pin assignment for SCI connector is listed in Table 6-5.

**Table 6-5 SCI connector (CN6) pin assignment**

Pin No.	Pin Function	RX26T Connection Pin
1	GND	-
2	MCU RXD	P80/RXD6
3	MCU TXD	P81/TXD6
4	VCC	-

### 6.1.5 Reset circuit

This product has a reset circuit to enable power-on reset or external reset on MCU. Push the tact switch (SW1) to externally reset MCU.

### 6.1.6 LED

This product has 4 controllable LEDs, so that they can be used for program debug and the system. LED switches on when output from the corresponding port is "LOW" and switches off when output is "HIGH". Pin assignment for corresponding LEDs is listed in Table 6-6.

**Table 6-6 LED pin assignment**

RX26T pin output		LED1	LED2	LED3	LED4
P21	HIGH	OFF	-	-	-
	LOW	ON	-	-	-
P20	HIGH	-	OFF	-	-
	LOW	-	ON	-	-
P65	HIGH	-	-	OFF	-
	LOW	-	-	ON	-
P64	HIGH	-	-	-	OFF
	LOW	-	-	-	ON

### 6.1.7 CAN Communication

This product has through holes for CAN communication. Note that CAN driver is not equipped. Pin assignment for CAN communication connector is listed in Table 6-7.

**Table 6-7 CAN communication pin assignment (CN5)**

Pin No.	RX26T pin
1	VCC
2	PA0/CTX0_B
3	PA1/CRX0_B
4	VSS

### 6.1.8 SPI Communication

This product has through holes for SPI communication. Pin assignment for SPI communication connector is listed in Table 6-8.

**Table 6-8 SPI communication pin assignment (CN13)**

Pin No.	RX26T pin
1	PA2/SSLA1
2	P93/MOSI1
3	P92/MISO1
4	P91/RSPCK1
5	VSS
6	VCC

### 6.1.9 PMOD

This product has two connectors for PMOD module connection. Pin assignments are shown in Table 6-9 and Table 6-10 .

**Table 6-9 PMOD Type 3A connector pin assignment (CN12)**

No.	RX26T port	No.	RX26T port
1	PB4_CTS11#	7	PD2
2	PB5_TXD11	8	PD1
3	PB6_RXD11	9	PD0
4	PB0_RTS11#	10	PE0
5	VSS	11	VSS
6	VCC	12	VCC

**Table 6-10 PMOD Type 6A connector pin assignment (CN10)**

No.	RX26T port	No.	RX26T port
1	PB3_IRQ9	7	PD2
2	PB7	8	PD1
3	PB1_SCL	9	PD0
4	PB2_SDA	10	PE0
5	VSS	11	VSS
6	VCC	12	VCC

## 6.2 RX26T pin function list

Table 6-11 RX26T pin function list

Pin number	RX26T pin function	Signal function
1	MTIOC9D / IRQ0	ENC_Z (INV2) / IPS_IRQN
2	EMLE	Emulator
3	VSS	
4	-	-
5	VCL	
6	MD/FINED	E2_on board/Emulator
7	GTETRGA	Overcurrent (INV2)
8	IRQ1	HALL_U (INV2)
9	IRQ2	HALL_V (INV2)
10	RES#	E2_on board/Emulator
11	XTAL	Crystal
12	VSS	
13	EXTAL	Crystal
14	VCC	
15	IRQ0	HALL_W (INV2)
16	PE1	SW1 (INV2)
17	PE0	PMOD(GPIO)
18	TRST#	Emulator
19	TMS	Emulator
20	TDI	Emulator
21	TCK	Emulator
22	TDO	Emulator
23	PD2	PMOD(GPIO)
24	PD1	PMOD(GPIO)
25	PD0	PMOD(GPIO)
26	PB7	PMOD Type6A(I2C)
27	RXD11	PMOD Type3A(UART)
28	TXD11	PMOD Type3A(UART)
29	VCC	
30	CTS11#	PMOD Type3A(UART)
31	VSS	
32	IRQ9	PMOD Type6A(I2C)
33	SDA	PMOD Type6A(I2C) / IPS_SDA
34	SCL	PMOD Type6A(I2C) / IPS_SCL
35	RTS11#	PMOD Type3A(UART)
36	PA5	Smart Driver(nFault) (INV1)
37	PA4	Smart Driver(EN) (INV1)
38	PA3	Smart Driver(SEL) (INV1)
39	SSLA1	Smart Driver (INV1)
40	CRX0	CAN
41	CTX0	CAN
42	VCC	
43	P96	Smart Driver(nFault) (INV2)
44	VSS	
45	GTIOC4A / P95	U-upper (INV2) / Smart Driver(EN) (INV2)
46	GTIOC5A / SSLA0	V-upper (INV2) / Smart Driver (INV2)
47	GTIOC6A / MOSI1(C)	W-upper (INV2) / Smart Driver (INV1,INV2)
48	GTIOC4B / MISO1(C)	U-lower (INV2) / Smart Driver (INV1,INV2)
49	GTIOC5B / RSPCK1	V-lower (INV2) / Smart Driver (INV1,INV2)
50	GTIOC6B / P90	W-lower (INV2) / Smart Driver(SEL) (INV2)
51	GTIOC2B	U-upper (INV1)
52	GTIOC1B	V-upper (INV1)
53	GTIOC0B	W-upper (INV1)
54	GTIOC2A	U-lower (INV1)
55	GTIOC1A	V-lower (INV1)
56	GTIOC0A	W-lower (INV1)

Pin number	RX26T pin function	Signal function
57	GTETRGB	Overcurrent (INV1)
58	MTCLKA	ENC_A (INV1)
59	MTCLKB	ENC_B (INV1)
60	VCC	
61	MTIOC0A / IRQ6	ENC_Z (INV1) / IPS_IRQN
62	VSS	
63	IRQ7	HALL_U (INV1)
64	IRQ15	HALL_V (INV1)
65	IRQ4	HALL_W (INV1)
66	P23	SW1 (INV1)
67	P22	SW2 (INV1)
68	P21	LED1 (INV1)
69	P20	LED2 (INV1)
70	P65	LED1 (INV2)
71	P64	LED2 (INV2)
72	VREFH2	
73	VREFL2	
74	AN209	IPS_B# (INV2)
75	AN208	VW / IPS_B (INV2)
76	AN207	VV / IPS_A# (INV2)
77	AN206	VU / IPS_A (INV2)
78	AN203	VR (INV2)
79	AN202	IPS_B# (INV1)
80	AN201	VW / IPS_B (INV1)
81	AN200	VV / IPS_A# (INV1)
82	AN205	VU / IPS_A (INV1)
83	AN204	VR (INV1)
84	AN103	VBUS (INV2)
85	AN102	IW (INV2)
86	AN101	IV (INV2)
87	AN100	IU (INV2)
88	AN003	VBUS (INV1)
89	AN002	IW (INV1)
90	AN001	IV (INV1)
91	AN000	IU (INV1)
92	AVCC	
93	VREFH01	
94	VREFL01	
95	AVSS	
96	P82	SW2 (INV2)
97	TXD6	RMW
98	RXD6	RMW
99	MTCLKC	ENC_A (INV2)
100	MTCLKD	ENC_B (INV2)

## 7. Communication Board Specification

This section describes the specification of the communication board.

### 7.1 Functions

#### 7.1.1 Power supply

Power of this product is supplied at 5V from USB connector.

#### 7.1.2 USB communication

This product is equipped with a USB type-C connector for communication with a PC when using Renesas Motor Workbench, etc.

#### 7.1.3 Serial communication

This board has two SCI connectors for serial communication with the target MCU when using Renesas Motor Workbench, etc. The pin assignments are shown in Table 7-1 and Table 7-2. When using the communication cable bundled with this product, use CN5.

The serial communication connector and the MCU (RX72N) are connected via a digital isolator, so the communication board and the CPU board with the target MCU are isolated.

**Table 7-1 SCI connector (CN5) pin assignment**

Pin No.	Function	Note
1	VCC	
2	RXD	Connect to TXD of target MCU
3	TXD	Connect to RXD of target MCU
4	GND	

**Table 7-2SCI connector (CN4) pin assignment**

Pin No.	Function	Note
1	VCC	
2	RXD	Connect to TXD of target MCU
3	TXD	Connect to RXD of target MCU
4	GND	

## 8. Design and Manufacture Information

You can obtain information on the design and manufacture of this product from [renesas.com](https://www.renesas.com) .

## 9. Website and Support

In order to learn, download tools and documents, apply technical support for RX family MCU and its kit, visit the below Web site.

- RX Product Information [renesas.com/rx](https://www.renesas.com/rx)
- Renesas Support [renesas.com/support](https://www.renesas.com/support)



**Revision History**

Rev.	Date	Description	
		Page	Summary
1.00	May 23, 2023	-	First edition
1.10	December 20, 2023	8, 22	Corrected overcurrent threshold (21.4A for AVCC=3.3V, 32.4A for AVCC=5.0V)
		27	Corrected a typo (CN7 → CN5)

---

MCK-RX26T User's Manual

Publication Date: Rev 1.10 December 20, 2023

Published by: Renesas Electronics Corporation

---

# MCK-RX26T User's Manual