

# QB-RL78G14

## In-Circuit Emulator

## User's Manual

Target Devices

RL78/G14

All information contained in these materials, including products and product specifications, represents information on the product at the time of publication and is subject to change by Renesas Electronics Corp. without notice. Please review the latest information published by Renesas Electronics Corp. through various means, including the Renesas Electronics Corp. website (<http://www.renesas.com>).

## Notice

1. All information included in this document is current as of the date this document is issued. Such information, however, is subject to change without any prior notice. Before purchasing or using any Renesas Electronics products listed herein, please confirm the latest product information with a Renesas Electronics sales office. Also, please pay regular and careful attention to additional and different information to be disclosed by Renesas Electronics such as that disclosed through our website.
2. Renesas Electronics does not assume any liability for infringement of patents, copyrights, or other intellectual property rights of third parties by or arising from the use of Renesas Electronics products or technical information described in this document. No license, express, implied or otherwise, is granted hereby under any patents, copyrights or other intellectual property rights of Renesas Electronics or others.
3. You should not alter, modify, copy, or otherwise misappropriate any Renesas Electronics product, whether in whole or in part.
4. Descriptions of circuits, software and other related information in this document are provided only to illustrate the operation of semiconductor products and application examples. You are fully responsible for the incorporation of these circuits, software, and information in the design of your equipment. Renesas Electronics assumes no responsibility for any losses incurred by you or third parties arising from the use of these circuits, software, or information.
5. When exporting the products or technology described in this document, you should comply with the applicable export control laws and regulations and follow the procedures required by such laws and regulations. You should not use Renesas Electronics products or the technology described in this document for any purpose relating to military applications or use by the military, including but not limited to the development of weapons of mass destruction. Renesas Electronics products and technology may not be used for or incorporated into any products or systems whose manufacture, use, or sale is prohibited under any applicable domestic or foreign laws or regulations.
6. Renesas Electronics has used reasonable care in preparing the information included in this document, but Renesas Electronics does not warrant that such information is error free. Renesas Electronics assumes no liability whatsoever for any damages incurred by you resulting from errors in or omissions from the information included herein.
7. Renesas Electronics products are classified according to the following three quality grades: "Standard", "High Quality", and "Specific". The recommended applications for each Renesas Electronics product depends on the product's quality grade, as indicated below. You must check the quality grade of each Renesas Electronics product before using it in a particular application. You may not use any Renesas Electronics product for any application categorized as "Specific" without the prior written consent of Renesas Electronics. Further, you may not use any Renesas Electronics product for any application for which it is not intended without the prior written consent of Renesas Electronics. Renesas Electronics shall not be in any way liable for any damages or losses incurred by you or third parties arising from the use of any Renesas Electronics product for an application categorized as "Specific" or for which the product is not intended where you have failed to obtain the prior written consent of Renesas Electronics. The quality grade of each Renesas Electronics product is "Standard" unless otherwise expressly specified in a Renesas Electronics data sheets or data books, etc.
  - "Standard": Computers; office equipment; communications equipment; test and measurement equipment; audio and visual equipment; home electronic appliances; machine tools; personal electronic equipment; and industrial robots.
  - "High Quality": Transportation equipment (automobiles, trains, ships, etc.); traffic control systems; anti-disaster systems; anti-crime systems; safety equipment; and medical equipment not specifically designed for life support.
  - "Specific": Aircraft; aerospace equipment; submersible repeaters; nuclear reactor control systems; medical equipment or systems for life support (e.g. artificial life support devices or systems), surgical implantations, or healthcare intervention (e.g. excision, etc.), and any other applications or purposes that pose a direct threat to human life.
8. You should use the Renesas Electronics products described in this document within the range specified by Renesas Electronics, especially with respect to the maximum rating, operating supply voltage range, movement power voltage range, heat radiation characteristics, installation and other product characteristics. Renesas Electronics shall have no liability for malfunctions or damages arising out of the use of Renesas Electronics products beyond such specified ranges.
9. Although Renesas Electronics endeavors to improve the quality and reliability of its products, semiconductor products have specific characteristics such as the occurrence of failure at a certain rate and malfunctions under certain use conditions. Further, Renesas Electronics products are not subject to radiation resistance design. Please be sure to implement safety measures to guard them against the possibility of physical injury, and injury or damage caused by fire in the event of the failure of a Renesas Electronics product, such as safety design for hardware and software including but not limited to redundancy, fire control and malfunction prevention, appropriate treatment for aging degradation or any other appropriate measures. Because the evaluation of microcomputer software alone is very difficult, please evaluate the safety of the final products or system manufactured by you.
10. Please contact a Renesas Electronics sales office for details as to environmental matters such as the environmental compatibility of each Renesas Electronics product. Please use Renesas Electronics products in compliance with all applicable laws and regulations that regulate the inclusion or use of controlled substances, including without limitation, the EU RoHS Directive. Renesas Electronics assumes no liability for damages or losses occurring as a result of your noncompliance with applicable laws and regulations.
11. This document may not be reproduced or duplicated, in any form, in whole or in part, without prior written consent of Renesas Electronics.
12. Please contact a Renesas Electronics sales office if you have any questions regarding the information contained in this document or Renesas Electronics products, or if you have any other inquiries.

(Note 1) "Renesas Electronics" as used in this document means Renesas Electronics Corporation and also includes its majority-owned subsidiaries.

(Note 2) "Renesas Electronics product(s)" means any product developed or manufactured by or for Renesas Electronics.

# General Precautions for Handling This Product

## 1. Circumstances not covered by product guarantee

- If the product was disassembled, altered, or repaired by the customer
- If it was dropped, broken, or given another strong shock
- Use at overvoltage, use outside guaranteed temperature range, storing outside guaranteed temperature range
- If power was turned on while connection to the AC adapter, USB interface cable, or target system was in an unsatisfactory state
- If the cable of the AC adapter, the USB interface cable, the emulation probe, or the like was bent or pulled excessively
- If an AC adapter other than the supplied product was used
- If the product got wet
- If this product is connected to the target system when there is a potential difference between the GND of this product and GND of the target system.
- If the connectors or cables are plugged/unplugged while this product is in the power-on state.
- If excessive load is applied to the connectors or sockets (As for handling, please see **2.3 Mounting and Connecting Connectors (When Using S Type)** or **2.4 Mounting and Connecting Connectors (When Using T Type)**).
- If a metal part of the power switch, cooling fan, or another such part comes in contact with an electrostatic charge.
- If the product is used or stored in an environment where an electrostatic or electrical noise is likely to occur.

## 2. Safety precautions

- If used for a long time, the product may become hot (50°C to 60°C). Be careful of low temperature burns and other dangers due to the product becoming hot.
- Be careful of electrical shock. There is a danger of electrical shock if the product is used as described above in **1. Circumstances not covered by product guarantee**.

# How to Use This Manual

<b>Readers</b>	This manual is intended for users who wish to perform debugging using the QB-RL78G14. The readers of this manual are assumed to be familiar with the device functions and usage, and to have knowledge of debuggers.
<b>Purpose</b>	This manual is intended to give users an understanding of the basic specifications and correct usage of the QB-RL78G14.
<b>Organization</b>	This manual is divided into the following sections. <ul style="list-style-type: none"><li>• General</li><li>• Setup procedure</li><li>• Settings at product shipment</li><li>• Cautions</li></ul>
<b>How to Read This Manual</b>	<p>It is assumed that the readers of this manual have general knowledge in the fields of electrical engineering, logic circuits, and microcontrollers.</p> <p>This manual describes the basic setup procedures and how to set switches.</p> <p>To understand the overall functions and usages of the QB-RL78G14</p> <p>→ Read this manual in the order of the <b>CONTENTS</b>. The mark &lt;R&gt; shows major revised points. The revised points can be easily searched by copying an "&lt;R&gt;" in the PDF file and specifying it in the "Find what:" field.</p> <p>To know the manipulations, command functions, and other software-related settings of the QB-RL78G14</p> <p>→ See the user's manual of the debugger (supplied with the QB-RL78G14) to be used.</p>
<b>Conventions</b>	<p><b>Note:</b> Footnote for item marked with <b>Note</b> in the text</p> <p><b>Caution:</b> Information requiring particular attention</p> <p><b>Remark:</b> Supplementary information</p> <p>Numeric representation: Binary ... xxxx or xxxxB Decimal ... xxxx Hexadecimal ... xxxxH</p> <p>Prefix indicating power of 2 (address space, memory capacity): K (kilo): <math>2_{10} = 1,024</math> M (mega): <math>2_{20} = 1,024_2</math></p>

## Terminology

The meanings of the terms used in this manual are described in the table below.

Term	Meaning
Target device	This is the device to be emulated.
Target system	This is the system to be debugged. This includes the target program and the hardware provided by the user.
IECUBE™	Generic name for Renesas Electronics' high-performance / compact in-circuit emulator.

## Related Documents

Please use the following documents in conjunction with this manual.

The related documents listed below may include preliminary versions. However, preliminary versions are not marked as such.

### Documents Related to Development Tools (User's Manuals)

Document Name		Document Number
QB-RL78G14 In-Circuit Emulator		This manual
RL78 Family User's Manual :Software		R01US0015E
CubeSuite+ Integrated Development Environment User's Manual	Start	R20UT0727E
	RL78 Design	R20UT0728E
	RL78,78K0R Cording	R20UT0729E
	RL78,78K0R Build	R20UT0730E
	RL78 Debug	R20UT0733E
	Analysis	R20UT0735E
	Message	R20UT0727E

**Caution** The related documents listed above are subject to change without notice. Be sure to use the latest version of each document for designing, etc.

IECUBE is a registered trademark of Renesas Electronics Corporation in Japan and Germany.

Windows is either registered trademarks or trademarks of Microsoft Corporation in the United States and/or other countries.

PC/AT is a trademark of International Business Machines Corporation.

# CONTENTS

CHAPTER 1 GENERAL.....	7
1.1 Hardware Specifications .....	8
1.2 Names and Functions of Hardware .....	10
1.3 System Specifications.....	12
1.4 System Configuration .....	13
1.5 System Configuration for Each Target Device .....	15
1.6 Package Contents .....	16
1.7 AC Adapter for IECUBE.....	19
CHAPTER 2 SETUP PROCEDURE.....	20
2.1 Software Settings.....	21
2.2 Clock Settings.....	21
2.3 Mounting and Connecting Connectors (When Using S Type).....	25
2.3.1 Mounting TC to target system .....	25
2.3.2 Mating the TC to EA .....	26
2.3.3 General Precautions when Using the EA, TC .....	27
2.4 Mounting and Connecting Connectors (When Using T Type).....	28
2.4.1 Mounting NQ to target system.....	28
2.4.2 Mounting YQ to NQ .....	29
2.4.3 Plugging EA into YQ.....	29
2.4.4 Precautions for handling NQ, YQ, SA, and CA.....	30
2.4.5 Precautions for mounting IC using NQ and MA .....	31
2.5 Connecting QB-RL78G14 to Target System .....	32
2.6 Notes on Power Supply and GND Pin Connection.....	34
2.7 Connecting USB Interface Cable and AC Adapter .....	35
2.8 Switching Power On and Off.....	35
CHAPTER 3 SETTINGS AT PRODUCT SHIPMENT.....	36
CHAPTER 4 CAUTIONS .....	37
4.1 Cautions Regarding Differences Between Target Device and Emulator .....	37
4.2 Debugging Note .....	40

## CHAPTER 1 GENERAL

The QB-RL78G14 is an in-circuit emulator for emulating the RL78/G14.

Hardware and software can be debugged efficiently in the development of systems in which the RL78/G14 is used.

This manual describes basic setup procedures, hardware specifications, system specifications, and how to set switches.

## 1.1 Hardware Specifications

Table 1-1. QB-RL78G14 Hardware Specifications

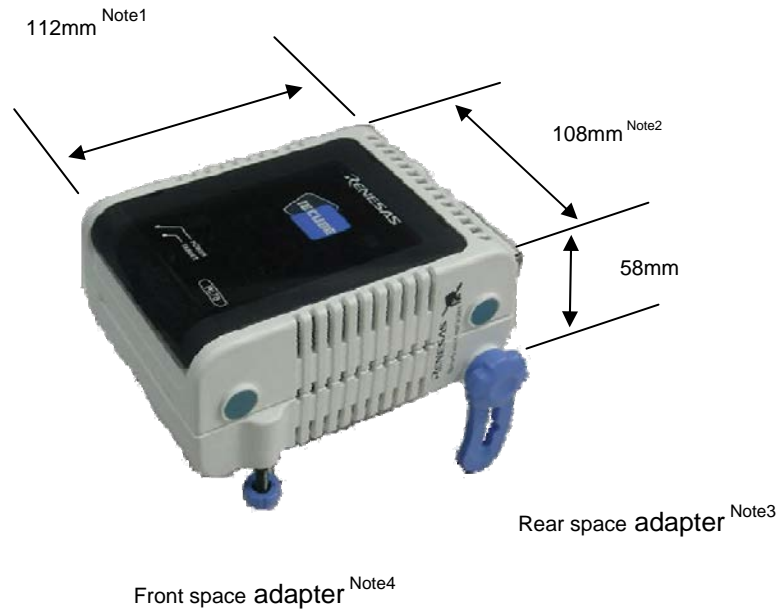
Parameter			Specification
Target device			RL78/G14
Operating voltage			1.6 to 5.5 V
Operating frequency <sup>Note1</sup>	Main system clock	High-speed system clock	2.7 V ≤ V <sub>DD</sub> ≤ 5.5 V : 1 to 20 MHz
			1.8 V ≤ V <sub>DD</sub> ≤ 2.7 V : 1 to 8 MHz
			1.6 V ≤ V <sub>DD</sub> ≤ 1.8 V : 1 to 4 MHz
	High-speed on-chip oscillator clock <sup>Note3</sup>		2.7 V ≤ V <sub>DD</sub> ≤ 5.5 V : 32 MHz (Typ.)
			2.7 V ≤ V <sub>DD</sub> ≤ 5.5 V : 24 MHz (Typ.)
			2.4 V ≤ V <sub>DD</sub> ≤ 5.5 V : 12 MHz (Typ.)
			1.8 V ≤ V <sub>DD</sub> ≤ 5.5 V : 8 MHz (Typ.)
	1.6 V ≤ V <sub>DD</sub> ≤ 5.5 V : 4MHz (Typ.)		
	1.6 V ≤ V <sub>DD</sub> ≤ 5.5 V : 1MHz (Typ.)		
	Subsystem clock <sup>Note2</sup>	1.6 V ≤ V <sub>DD</sub> ≤ 5.5 V : 32.768 kHz	
	Low-speed on-chip oscillator clock	1.6 V ≤ V <sub>DD</sub> ≤ 5.5 V : 15 kHz	
Operating temperature range			0 to 40°C (No condensation)
Storage temperature range			-15 to 60°C (No condensation)
External dimensions			See figure below
Power consumption	Target system power supply		Voltage: 1.6 to 5.5 V Current: approx. 250 mA MAX
Weight			Approx. 400 g
Host interface			USB interface (1.1, 2.0)

**Note1** Errors are within ±0.05%. However, this does not apply to errors of the oscillator or clock system on the target board.

**Note2** Errors are within ±0.005%. However, this does not apply to errors of the oscillator or clock system on the target board.

**Note3** When selecting 64 MHz or 48 MHz, the selected clock is supplied to timer RD. However, 32 MHz or 24 MHz of two frequency division of the selected clock is supplied to the other functions (including the CPU).





- Notes**
1. Does not include projection of power switch
  2. Includes projection of screw that fixes rear space adapter
  3. Rear space adapter can adjust the height from 30 mm (longest) to 0 mm (shortest)
  4. Front space adapter can adjust the height from 20 mm (longest) to 5 mm (shortest)

## 1.2 Names and Functions of Hardware

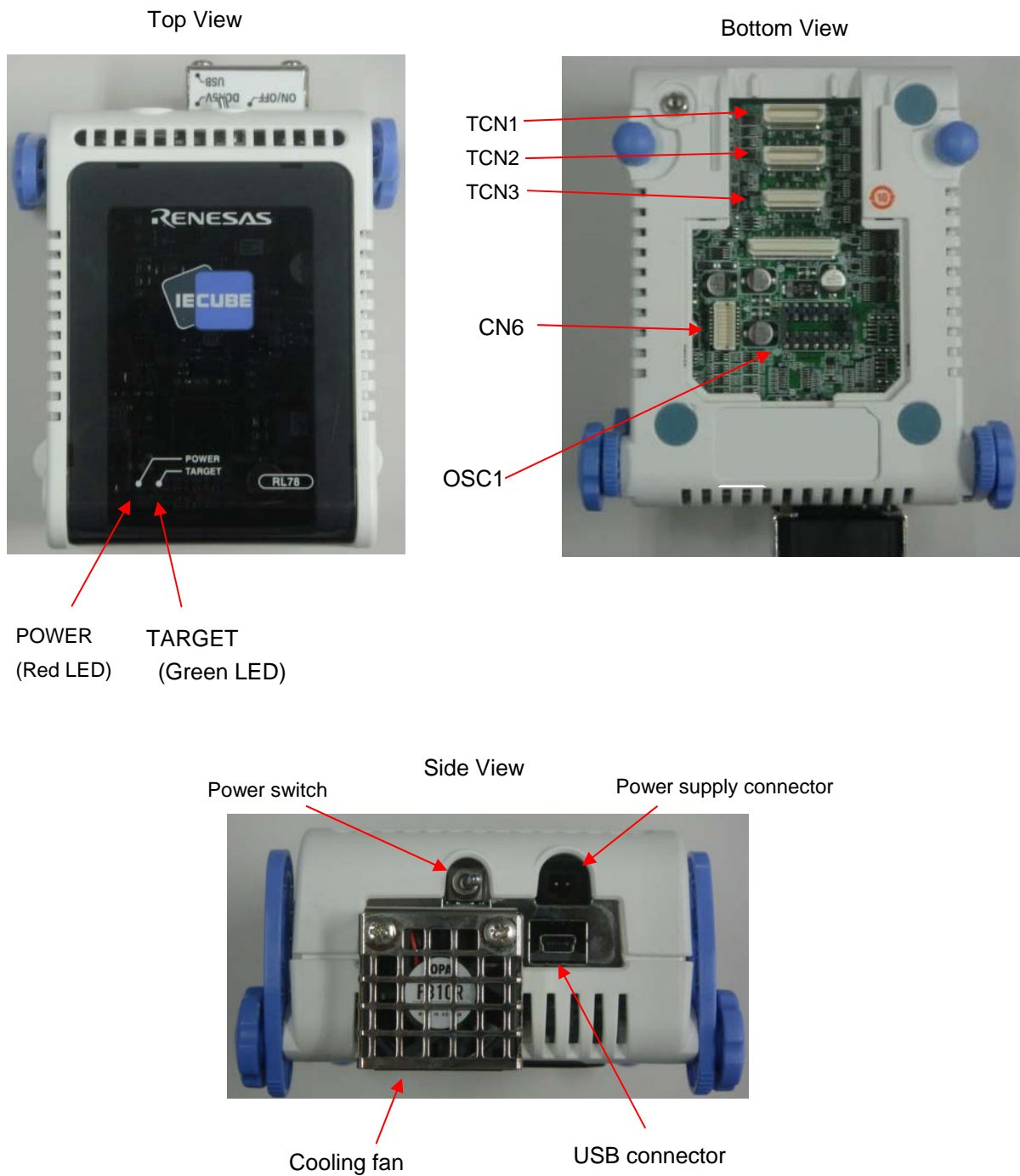


Figure 1-1. Names of Parts of QB-RL78G14

(1) TCN1, TCN2, TCN3

These are connectors for connecting a check pin adapter or emulation probe.

(2) OSC1

This is a socket for mounting the oscillator.

(3) CN6

This is a connector for the shipment inspection. It is not something that the user will need.

(4) POWER (Red LED)

This is an LED that shows whether the power supply of the QB-RL78G14 is switched on.

LED State	QB-RL78G14 State
Lit	Power switch ON
Not lit	Power switch OFF or AC adapter not connected to QB-RL78G14
Blinking	Internal error occurred (Contact an Renesas Electronics sales representative or distributor)

(5) TARGET (Green LED)

This is an LED that shows whether the power supply of the target system is switched on.

LED State	Target System State
Lit	Target system power supply ON
Not lit	Target system power supply OFF or target system not connected

(6) Power switch

This is the power switch of the QB-RL78G14.

It is OFF at shipment.

(7) Cooling fan

This is the cooling fan of the QB-RL78G14.

It works when the power supply of the QB-RL78G14 is switched on.

### 1.3 System Specifications

This section shows the QB-RL78G14 system specifications.

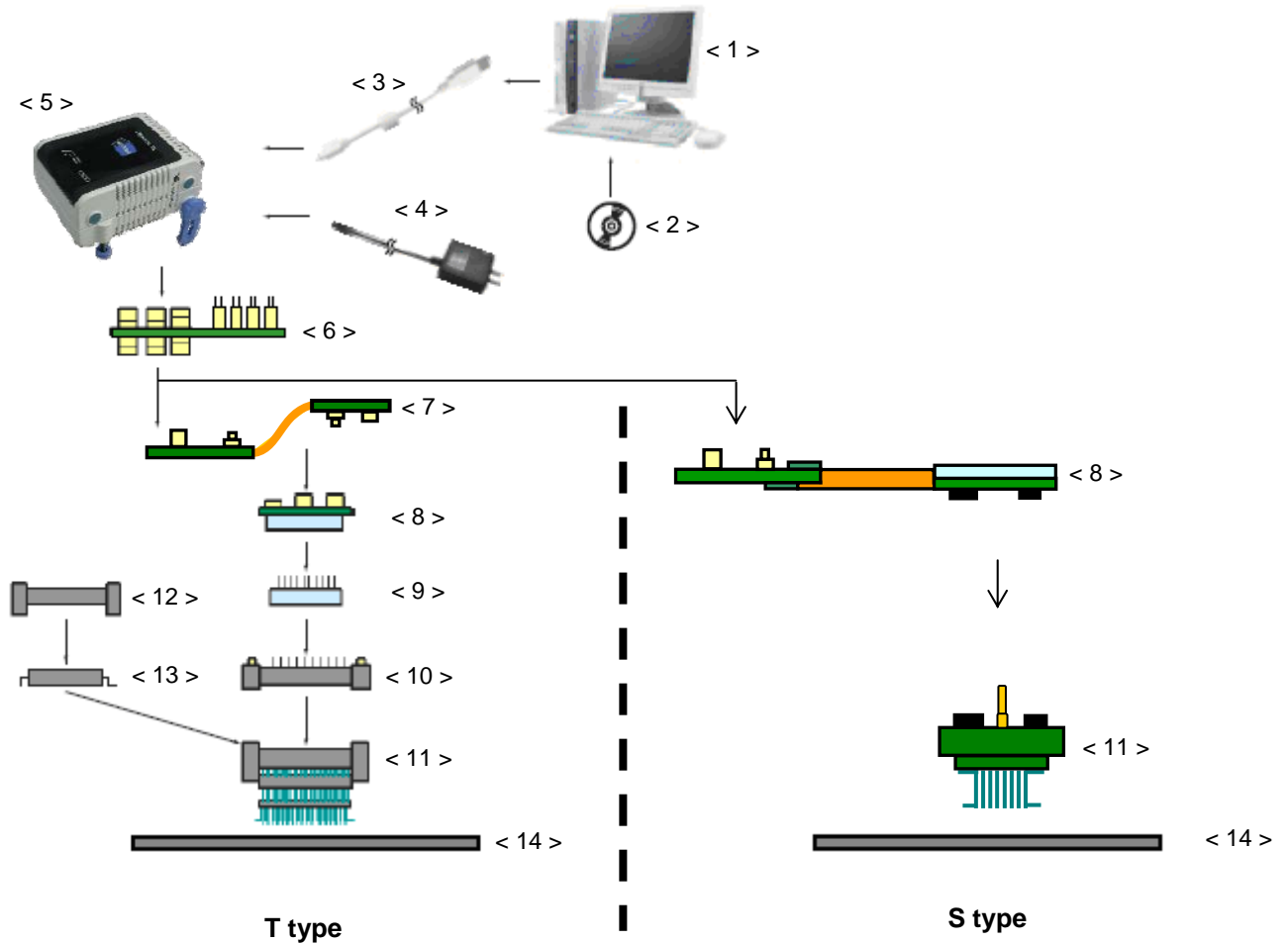
Table 1-2. QB-RL78G14 System Specifications

Parameter		Specification
Emulation memory capacity	Internal ROM	512 KB (MAX.)
	Internal RAM	61.75 KB (MAX.)
Program execution functions	Real-time execution function	Go, Start from Here, Come Here, Restart, Return Out, Ignore break points and Go
	Non-real-time execution function	Step In, Next Over, Slowmotion, Go & Go
Memory manipulation		Available (initialize, copy, compare)
Register manipulation		Available (general-purpose registers, control registers, SFRs)
Disassemble function		Available
Local variable view		Local variables
Watch data view		Local variables, global variables, or else
Stack trace view		Available
Break functions	Event break	Execution: 8 points Access: 8 points
	Software break	2000 points
	Pre-execution break	4 points
	Fail-safe break	Non-map, write protect, SFR illegal access, stack overflow, or else
	Other	Forcible break, trace full break, trace delay break, timeout break, timer overflow break
Trace functions	Trace data types	Program address, program data, access address, access data, status, time tag
	Trace modes	Unconditional trace, section trace, qualify trace, delay trigger trace
	Trace functions	Non-stop, full stop, full break, delay trigger stop, delay trigger break
	Memory capacity	128K frames
Real-time RAM monitoring function		All internal RAM spaces
Time measurement functions	Measurement clock	120 MHz
	Measurement objects	Start through end of program execution Start event through end event
	Maximum measurement time	Approx. 40 hours and 43 minutes
	Minimum resolution	8 ns
	Number of timers for measurement	Start through end of program execution: 1 Start event through end event: 2
	Measurement results	Execution time (start through end of execution) Maximum, minimum, average, total, pass count (between events)
	Other	Timer overflow break function, timeout break function
Other functions		Command functions set in the console, mapping function, event function, coverage function, snapshot function, DMM function, power-off emulation function, pin mask function, flash self programming emulation function

### 1.4 System Configuration

This section shows the system configuration when using the QB-RL78G14 connected to a PC (Windows™ PC, PC/AT™ compatible). Connection is possible even without optional products.

Figure 1-2. System Configuration



- |                                  |  |
|----------------------------------|--|
| <1> Host machine                 | : Windows PC, IBM PC/AT compatible can be used                 |
| <2> Accessory Disk               | : Manual, etc.   |
| <3> USB interface cable          | : Cable connecting QB-RL78G14 to host machine                  |
| <4> AC adapter                   | : AC adapters classified by region                             |
| <5> QB-RL78G14                   | : This product   |
| <6> Check pin adapter (optional) | : Adapter used for monitoring waveforms with oscilloscope      |
| <7> Emulation probe              | : High-characteristic FPC type emulation probe                 |
| <8> Exchange adapter             | : Adapter that performs pin conversion                         |
| <9> Space adapter (optional)     | : Adapter used for height adjustment                           |
| <10> YQ connector                | : Connector that connects exchange adapter to target connector |
| <11> Target connector            | : Connector soldered to target system                          |
| <12> Mount adapter (optional)    | : Adapter used for mounting target device into socket          |
| <13> Device                      | : Target device  |
| <14> Target system               |  |

- Remarks 1.** Refer to **1.6 Package Contents** for the purchase forms of the above products.
2. As for handling of connectors, refer to **2.3 Mounting and Connecting Connectors (When Using S Type)** or **2.4 Mounting and Connecting Connectors (When Using T Type)**.
  3. The part number of <4> differs depending on the region of use. See **Table 1-5 Part Numbers of AC Adapter for IECUBE Classified by Region** for the part numbers. The IECUBE requires an AC adapter that must be purchased separately.
  4. See **Table 1-4 Common Probe and Adapter** for the part numbers of <6> and <7>.
  5. The combination of <8>, <9>, <10>, <11>, and <12> varies depending on the emulation device. See **Table 1-3 Adapters and Connectors for Each Target Device** for the combinations.
  6. To determine the T Type socket or the S Type socket, check for "T" or "S" at the end of the socket product name.  
Example:  
    QB-64FB-EA-01T -> T Type  
    QB-48NA-EA-02S -> S Type
  7. Even with the T Type socket, there may not be a space adapter/YQ connector/mount adapter. In this case, the device cannot be mounted in the socket.  
Check **Table 1-3 Adapters and Connectors for Each Target Device**.

## 1.5 System Configuration for Each Target Device

The following table lists the system configuration for each target device of the QB-RL78G14.

The adapter and connector for each device, and common probe and adapter are sold separately. An exchange adapter, a YQ connector, a target connector, and an emulation probe are included, depending on the order product name. For details, refer to **1.6 Package Contents**.

**Remark** For the package drawings of the connector, adapter, and probe, refer to the following URL.

[http://www.renesas.com/products/tools/emulation\\_debugging/incircuit\\_emulators/iecube/rl78/index.jsp](http://www.renesas.com/products/tools/emulation_debugging/incircuit_emulators/iecube/rl78/index.jsp)

Table 1-3. Adapters and Connectors for Each Target Device

Target Device	Package	Exchange Adaptor	Space Adaptor	YQ Connector	Target Connector	Mount Adaptor
RL78/G14	30SP	QB-30SP-EA-03T	QB-30SP-YS-01T	QB-30SP-YQ-01T	QB-30SP-NQ-01T	QB-30SP-HQ-01T
	32FP	QB-32FP-EA-01T	QB-32FP-YS-01T	QB-32FP-YQ-01T	QB-32FP-NQ-01T	QB-32FP-HQ-01T
	32NA	QB-32NA-EA-01S	—	—	QB-32NA-TC-01S	—
	36LA	QB-36LA-EA-01T	—	—	QB-36LA-NQ-01T	—
	40NA	QB-40NA-EA-01S	—	—	QB-40NA-TC-01S	—
	44FP	QB-44FP-EA-01T	QB-44FP-YS-01T	QB-44FP-YQ-01T	QB-44FP-NQ-01T	QB-44FP-HQ-01T
	48NA	QB-48NA-EA-01S	—	—	QB-48NA-TC-01S	—
	48FB	QB-48FB-EA-01T	QB-48FB-YS-01T	QB-48FB-YQ-01T	QB-48FB-NQ-01T	QB-48FB-HQ-01T
	52FA	QB-52FA-EA-01T	QB-52FA-YS-01T	QB-52FA-YQ-01T	QB-52FA-NQ-01T	QB-52FA-HQ-01T
	64FA	QB-64FA-EA-01T	QB-64FA-YS-01T	QB-64FA-YQ-01T	QB-64FA-NQ-01T	QB-64FA-HQ-01T
	64FB	QB-64FB-EA-01T	QB-64FB-YS-01T	QB-64FB-YQ-01T	QB-64FB-NQ-01T	QB-64FB-HQ-01T
	64FP	QB-64FP-EA-01T	QB-64FP-YS-01T	QB-64FP-YQ-01T	QB-64FP-NQ-01T	QB-64FP-HQ-01T
	64LA	QB-64LA-EA-01T	—	—	QB-64LA-NQ-01T	—
	80FA	QB-80FA-EA-01T	QB-80FA-YS-01T	QB-80FA-YQ-01T	QB-80FA-NQ-01T	QB-80FA-HQ-01T
	80FB	QB-80FB-EA-01T	QB-80FB-YS-01T	QB-80FB-YQ-01T	QB-80FB-NQ-01T	QB-80FB-HQ-01T
	100FA	QB-100FA-EA-01T	QB-100FA-YS-01T	QB-100FA-YQ-01T	QB-100FA-NQ-01T	QB-100FA-HQ-01T
	100FB	QB-100FB-EA-01T	QB-100FB-YS-01T	QB-100FB-YQ-01T	QB-100FB-NQ-01T	QB-100FB-HQ-01T

Table 1-4. Common Probe and Adapter

Name	Part Number	Target Device
Check pin adapter	QB-144-CA-01	RL78/G14
Emulation probe	QB-80-EP-01T	Under 80pin of RL78/G14
	QB-144-EP-02S	Over 100pin of RL78/G14

## 1.6 Package Contents

The included products are described for each order product name.

Products supplied with QB-RL78G14-ZZZ

- 1: QB-RL78G14
- 2: USB interface cable (2 meters)
- 3: Online user registration card (warranty card and software contract in one)
- 4: Accessory Disk (CD-ROM)
- 5: Packing list

Products supplied with QB-RL78G14-T30SP

- 1 to 5
- 6: Emulation probe QB-80-EP-01T
- 7: Exchange adapter QB-30SP-EA-03T
- 8: YQ connector QB-30SP-YQ-01T
- 9: Target connector QB-30SP-NQ-01T

Products supplied with QB-RL78G14-T32FP

- 1 to 5
- 6: Emulation probe QB-80-EP-01T
- 7: Exchange adapter QB-32FP-EA-01T
- 8: YQ connector QB-32FP-YQ-01T
- 9: Target connector QB-32FP-NQ-01T

Products supplied with QB-RL78G14-S32NA

- 1 to 5
- 6: Emulation probe QB-80-EP-01T
- 7: Exchange adapter QB-32NA-EA-01S
- 8: Target connector QB-32NA-TC-01S

Products supplied with QB-RL78G14-T36LA

- 1 to 5
- 6: Emulation probe QB-80-EP-01T
- 7: Exchange adapter QB-36LA-EA-01T
- 8: Target connector QB-36LA-NQ-01T

Products supplied with QB-RL78G14-S40NA

- 1 to 5
- 6: Emulation probe QB-80-EP-01T
- 7: Exchange adapter QB-40NA-EA-01S
- 8: Target connector QB-40NA-TC-01S



## Products supplied with QB-RL78G14-T44FP

1 to 5

- 6: Emulation probe QB-80-EP-01T
- 7: Exchange adapter QB-44FP-EA-01T
- 8: YQ connector QB-44FP-YQ-01T
- 9: Target connector QB-44FP-NQ-01T

## Products supplied with QB-RL78G14-S48NA

1 to 5

- 6: Emulation probe QB-80-EP-01T
- 7: Exchange adapter QB-48NA-EA-01S
- 8: Target connector QB-48NA-TC-01S

## Products supplied with QB-RL78G14-T48FB

1 to 5

- 6: Emulation probe QB-80-EP-01T
- 7: Exchange adapter QB-48FB-EA-01T
- 8: YQ connector QB-48FB-YQ-01T
- 9: Target connector QB-48FB-NQ-01T

## Products supplied with QB-RL78G14-T52FA

1 to 5

- 6: Emulation probe QB-80-EP-01T
- 7: Exchange adapter QB-52FA-EA-01T
- 8: YQ connector QB-52FA-YQ-01T
- 9: Target connector QB-52FA-NQ-01T

## Products supplied with QB-RL78G14-T64FA

1 to 5

- 6: Emulation probe QB-80-EP-01T
- 7: Exchange adapter QB-64FA-EA-01T
- 8: YQ connector QB-64FA-YQ-01T
- 9: Target connector QB-64FA-NQ-01T

## Products supplied with QB-RL78G14-T64FB

1 to 5

- 6: Emulation probe QB-80-EP-01T
- 7: Exchange adapter QB-64FB-EA-01T
- 8: YQ connector QB-64FB-YQ-01T
- 9: Target connector QB-64FB-NQ-01T

## Products supplied with QB-RL78G14-T64FP

1 to 5

- 6: Emulation probe QB-80-EP-01T
- 7: Exchange adapter QB-64FP-EA-01T
- 8: YQ connector QB-64FP-YQ-01T
- 9: Target connector QB-64FP-NQ-01T

## Products supplied with QB-RL78G14-T64LA

1 to 5

- 6: Emulation probe QB-80-EP-01T
- 7: Exchange adapter QB-64LA-EA-01T
- 8: Target connector QB-64LA-NQ-01T

## Products supplied with QB-RL78G14-T80FA

1 to 5

- 6: Emulation probe QB-80-EP-01T
- 7: Exchange adapter QB-80FA-EA-01T
- 8: YQ connector QB-80FA-YQ-01T
- 9: Target connector QB-80FA-NQ-01T

## Products supplied with QB-RL78G14-T80FB

1 to 5

- 6: Emulation probe QB-80-EP-01T
- 7: Exchange adapter QB-80FB-EA-01T
- 8: YQ connector QB-80FB-YQ-01T
- 9: Target connector QB-80FB-NQ-01T

## Products supplied with QB-RL78G14-T100FA

1 to 5

- 6: Emulation probe QB-144-EP-02S
- 7: Exchange adapter QB-100FA-EA-01T
- 8: YQ connector QB-100FA-YQ-01T
- 9: Target connector QB-100FA-NQ-01T

## Products supplied with QB-RL78G14-T100FB

1 to 5

- 6: Emulation probe QB-144-EP-02S
- 7: Exchange adapter QB-100FB-EA-01T
- 8: YQ connector QB-100FB-YQ-01T
- 9: Target connector QB-100FB-NQ-01T

## 1.7 AC Adapter for IECUBE

The specifications of the AC adapter for IECUBE differ depending on the region of use. Be sure to use an AC adapter corresponding to the region of use.

Table 1-5. Part Numbers of AC Adapter for IECUBE Classified by Region

Product	Destination (Region) <sup>Notes 1, 2</sup>	Part Number <sup>Note 3</sup>
AC adapter (sold separately)	Japan	QB-COMMON-PW-JP
	USA	QB-COMMON-PW-EA
	China	QB-COMMON-PW-CN
	Hong Kong	QB-COMMON-PW-HK
	South Korea	QB-COMMON-PW-KR
	Singapore	QB-COMMON-PW-SG
	Taiwan	QB-COMMON-PW-TW

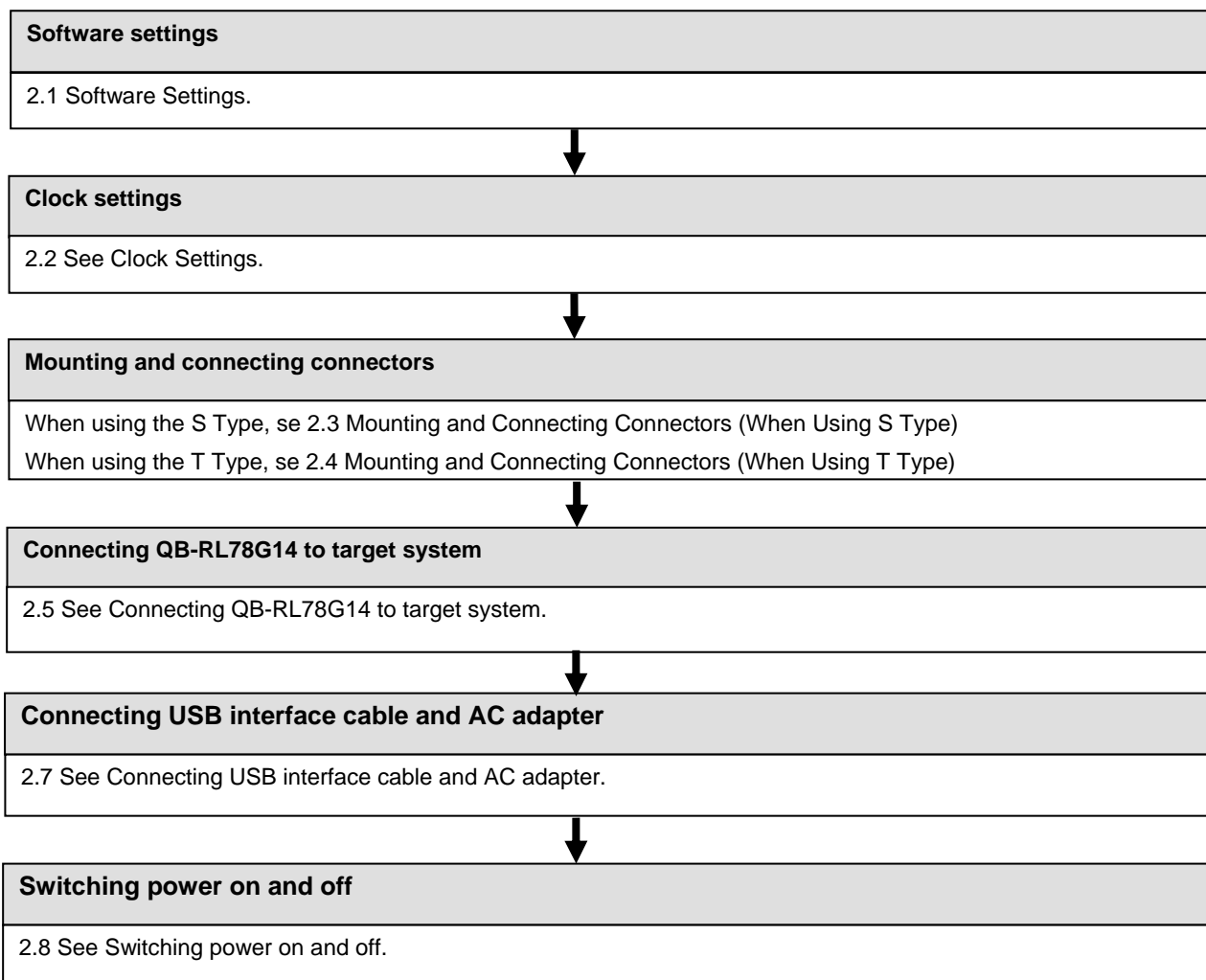
**Notes 1.** Products are shipped only on order from each region.

**2.** Contact a distributor or a Renesas Electronics sales representative for information on regions other than the above.

**3.** Only the AC adapter usable in each region can be ordered

## CHAPTER 2 SETUP PROCEDURE

This chapter explains the QB-RL78G14 setup procedure.  
 Setup can be completed by performing installation setup in the order in which it appears in this chapter.  
 Perform setup along the lines of the following procedure.  
 See 1.2 Names and Functions of Hardware for clock positions.



## 2.1 Software Settings

Check the user's manual for the debugger that will be used.

## 2.2 Clock Settings

The IECUBE clock must be set to the clock used by the target device. For details about how to set the clock, check the user's manual for the debugger that will be used.

IECUBE clock settings for the clock used by the target device are shown below.

Oscillation with the resonator on the target system is not supported. Therefore, the in-circuit emulator cannot emulate the oscillation operation of the clock on the target system.

Table 2-1. List of clock settings

Clock Used	Clock Supply
(1) High-speed system clock (X1 oscillator or External input)	(a) When the clock generated within the emulator is used
	(b) When the clock (a square wave) is supplied from the target system
	(c) When the oscillator (OSC1) mounted onto the emulator is used
(2) Internal high-speed oscillation clock	Uses the clock internally generated from the emulator
(3) Internal low-speed oscillation clock	Uses the clock internally generated from the emulator
(4) Subsystem clock (XT1 oscillator or External input)	(a) When the clock generated within the emulator is used
	(b) When the clock (a square wave) is supplied from the target system

## (1) High-speed system clock

The clock settings are listed below.

Table 2-2. Settings for High-Speed System Clock

Type of Clock to Be Used	OSC1
(a) When the clock generated within the emulator is used	–
(b) When the clock (a square wave) is supplied from the target system <sup>Note</sup>	–
(c) When the oscillator (OSC1) mounted onto the emulator is used	Oscillator mounted

**Note** This setting is not possible when TARGET LED is not lit.

**Remarks 1.** Settings other than the above are prohibited.

**2.** Selection of (a) or (b) is possible regardless of whether the oscillator is not mounted in the OSC1 socket.

## (a) When the clock generated within the emulator is used

This method uses the clock generated inside the emulator.

The oscillation frequency that will be used must be set in the debugger. For details about how to set the oscillation frequency, check the user's manual for the debugger that will be used.

## (b) When the clock (a square wave) is supplied from the target system

The clock input from the target system is then used.

To input a clock from the target system, input to the clock pin (X2) the square-wave signal with the same voltage potential as that of the target device supply voltage (VDD). Inputting the inverted signal to X1 is not necessary.

The selectable frequencies are same as those of the target device.

For debugger settings, check the user's manual for the debugger that will be used. Oscillation by a resonator in the target system is not supported.

## (c) When the oscillator (OSC1) mounted onto the emulator is used

Mount an oscillator in the OSC1 socket in the emulator and then select the "Clock socket" in the debugger.

The clock generated from the oscillator mounted on the emulator is used.

The selectable frequencies are same as those of the target device.

To modify the clock setting, the acrylic board on the bottom of the QB-RL78G14 must be removed.

The acrylic board can be removed by lifting it up.

For debugger settings, check the user's manual for the debugger that will be used.

Figure 2-1. Acrylic Board Removal Method



As an oscillator<sup>Note</sup> to be mounted in the OSC1 socket in the emulator, use the one that satisfies the following specifications.

- Supply voltage: 5.0 V
- Output level: CMOS

**Note** An oscillator that uses a resonator cannot be used.

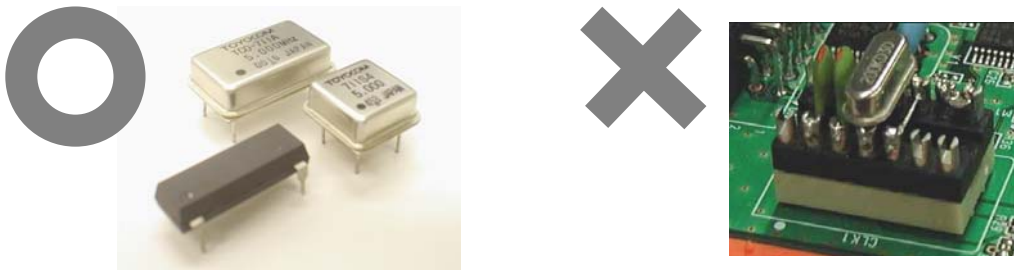
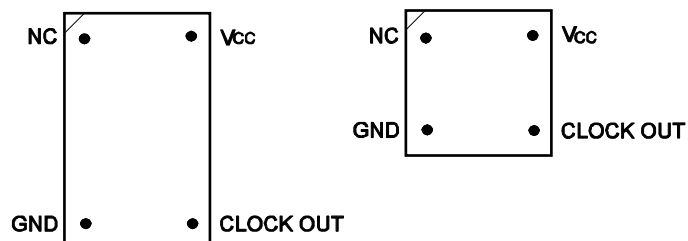
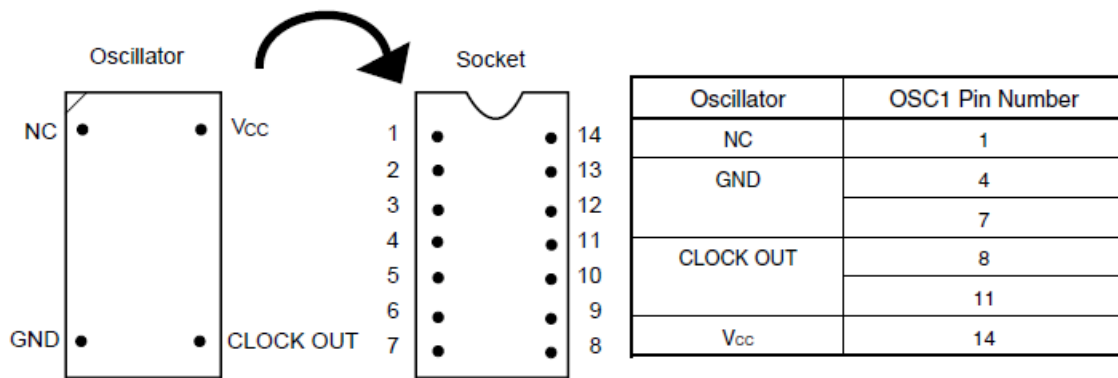


Figure 2-2. Oscillator Shape



Top View

Figure 2-3. Mapping of Oscillator to Socket



**Remark** Insert the oscillator into the socket, take care for the pin 1 position.

(2) Internal high-speed oscillation clock

This method uses the clock inside the emulator by configuring the use of the high-speed oscillation clock in the user program.

(3) Internal low-speed oscillation clock

This method uses the clock inside the emulator by configuring the use of the low-speed oscillation clock in the user program.

(4) Subsystem clock

The clock settings are listed below.

Table 2-3. Settings for Subsystem Clock

Type of Clock to Be Used
(a) When the clock generated within the emulator is used
(b) When the clock (a square wave) is supplied from the target system <sup>Note</sup>

(a) When the clock generated within the emulator is used

This method uses the clock inside the emulator by configuring the use of the subsystem clock in the user program. For debugger settings, check the user's manual for the debugger that will be used.

(b) When the clock (a square wave) is supplied from the target system

Select the "External" in the debugger. The clock input from the target system is then used.

Oscillation with the resonator on the target system is not supported. To input a clock from the target system, input to the clock pin (XT2) the square-wave signal with the same voltage potential as that of the target device supply voltage (V<sub>DD</sub>). Inputting the inverted signal to XT1 is not necessary.

The selectable frequencies are same as those of the target device.



## 2.3 Mounting and Connecting Connectors (When Using S Type)

This section describes the methods of connecting the QB-RL78G14 and target system.

Make connections with both the QB-RL78G14 and target system powered OFF.

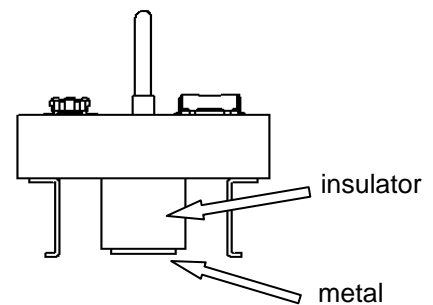
The following abbreviations are used in this section:

- TC: Target connector
- EA: Exchange adapter
- CA: Check pin adapter

### 2.3.1 Mounting TC to target system

- (1) Apply cream solder to the foot pattern of the target system for mounting an IC
- (2) There is a circular protrusion (Figure 2-4) in middle of the bottom of the TC. The center of this cylinder is a metallic component (metal plated) for the GND connection. In the same manner as the IC pad, the TC GND is connected to the target board GND by applying cream solder to the pad in the center of the recommended IC foot pattern and then reflow soldering.

Figure 2-4. TC protrusion



- (3) Soldering condition of TC

- (a) Reflow soldering

At 235°C for a maximum of 10 seconds (main heating)

- (b) Manual soldering

At 320°C for a maximum of 5 seconds (per pin)

- (4) Precautions on flux splatter

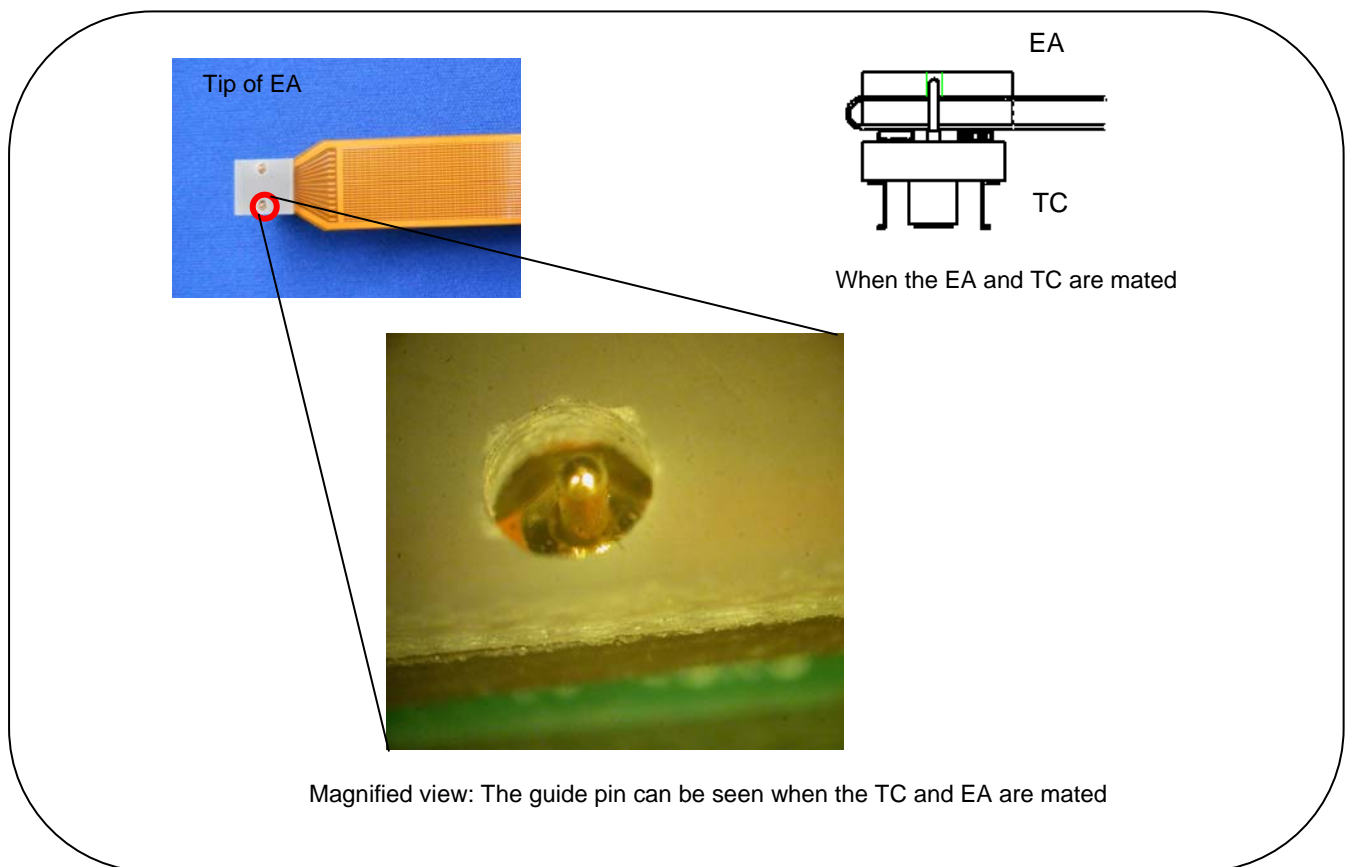
If the solder flux splatters when the connector is soldered, faulty contact may occur. Be sure to cover the upper part of the connector with aluminum foil. Do not clean the connector because the flux solvent may remain inside the connector.

### 2.3.2 Mating the TC to EA

Mate the TC and EA by following the procedure below.

- (1) Check the orientation of pin 1, align the TC guide pin to the guide hole at the tip of the EA flexible printed circuit (FPC), and then insert it. (See Figure 2-5)
- (2) Check conductivity between the TC and EA at this time.
- (3) Solder the TC to the guide locking pad that can be seen from the FPC tip flexible guide hole using a soldering iron with a tip radius of  $\phi 1.0$  mm or smaller. (Once soldered, the TC and EA cannot be removed from each other.)
- (4) Use extreme care so that the EA (FPC cable) does not apply stress to the TC. If the EA applies even a small amount of stress to the TC, we recommend securing the section soldered to the TC board with adhesive.

Figure 2-5 Magnified guide hole view when TC and EA are mated & mating diagram.



### 2.3.3 General Precautions when Using the EA, TC

#### (1) Causes of connector conductivity problems

##### (a) When flux gets inside the connector when mounting the TC

Since flux easily rises into the connector, if it gets into the connector, completely wash it out using a solvent such as alcohol. Wash it at least five or six times. If conductivity is unstable, repeatedly wash it.

##### (b) Debris gets inside the connector

If debris such as fuzz gets inside the connector, it will cause conductivity problems. Clear out the debris with a brush.

##### (c) Precautions when using the CA

When using the CA, while minor, signal propagation delay and capacitance occurs by inserting each adapter. Connect the CA to the target system and fully evaluate it before use.

#### (2) CA

The CA is an optional product for IECUBE, and can be used to measure the waveform between IECUBE and the target system.

Since the pins on the CA do not correspond to the pin layout in each device, the pin header cover must be mounted according to the device to be used. For mounting methods of the pin header cover, refer to URL.

[http://japan.renesas.com/qb\\_144\\_ca\\_01](http://japan.renesas.com/qb_144_ca_01)

## 2.4 Mounting and Connecting Connectors (When Using T Type)

This section describes the methods of connecting the QB-RL78G14 and target system.

Make connections with both the QB-RL78G14 and target system powered OFF.

The following abbreviations are used in this section:

- NQ: Target connector
- YQ: YQ connector
- EA: Exchange adapter
- MA: Mount adapter
- CA: Check pin adapter
- SA: Space adapter

### 2.4.1 Mounting NQ to target system

(1) Thinly apply a two-component epoxy adhesive (hardening time at least 30 minutes) to the ends of the four projections on the base of the NQ and adhere the NQ to the user board (clean the surface of the target system board using alcohol or the like). If alignment of target system pads to NQ leads is difficult, align them as in (2).

(2) Align by inserting the guide pins for alignment for the NQ (NQGUAGE) through the pin holes on the top of the NQ. Accessory holes are  $\phi 1.0$  mm non-through holes in two or three places.

(For hole positions, see the particular NQ drawing.)

(3) Solder after fitting the MA to the NQ. This is to prevent troubles such as flux or solder splashing and adhering to the NQ contact pins when soldering.

- |                        |                  |                                   |
|------------------------|------------------|-----------------------------------|
| - Soldering conditions | Solder reflow    | 260°C × 10 seconds or less        |
|                        | Manual soldering | 350°C × 5 seconds or less (1 pin) |

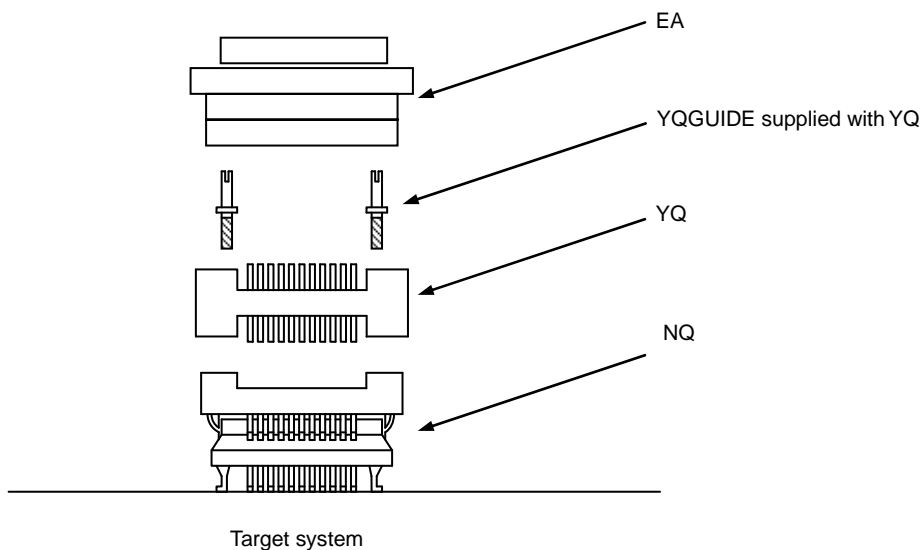
**Caution** Do not perform washing by flux immersion or vapor.

(4) Take away the guide pins.

## 2.4.2 Mounting YQ to NQ

- (1) After confirming that there are no broken or bent YQ contact pins, fit the YQ in the NQ and fasten it using the supplied YQGUIDE (for the fastening method, see the next step, (2)). If repeatedly inserting and removing, be sure to inspect the YQ pins before fitting. If pins are bent, correct them using something thin and flat such as the edge of a knife.
- (2) Fasten YQ to the NQ on the target system using the supplied YQGUIDE. Fasten the screws equally in the four corners using the supplied flat-blade screwdriver or a torque driver. The tightening torque of the YQGUIDE is 0.054 Nm (MAX.). Too great tightening causes bad connections. However, four screws for fitting to the NQ (M2 x 10 mm / 4 units) are included with the YQ.

Figure 2-6. Mounting of EA, YQ and NQ



## 2.4.3 Plugging EA into YQ

Match the pin 1 position of the YQ or SA (corner cuts match in both) to the pin 1 position of the EA and plug in.

- When plugging or unplugging, press on the NQ, YQ, and SA with a finger so that there is no force on the NQ.
- When plugging or unplugging, be careful of the direction of wiggling.

As a tool when unplugging, insert some kind of thin non-conductive material such as a wooden stick between the YQ (SA) and EA and wiggle while slowly unplugging. Be careful since the connector will be damaged if this is done in the wrong direction.

## 2.4.4 Precautions for handling NQ, YQ, SA, and CA

- (1) When taking the NQ from the box, press down on the body and take out the sponge first.
- (2) Since the pins of the YQ are thin and easily bent, be careful. When inserting it in the NQ, confirm that there are no bent pins.
- (3) When screwing a YQ soldered to a board to the NQ, fasten the screws in four places in turn using a #0 or #1 Phillips precision screwdriver or torque driver after tentatively tightening them. Fix the torque at 0.054 Nm (MAX.).  
If just one place is overtightened, it may cause poor contact. Moreover, a board being connected to the YQ must have accessory holes in prescribed positions (four places:  $\phi 2.3$  mm or  $\phi 3.3$  mm). The  $\phi 3.8$  mm or  $\phi 4.3$  mm that is the screw head size is an area where wiring is prohibited.
- (4) In YQ and SA removal, since there is a danger of YQ pins being bent or broken when prying and wiggling, remove them gradually using a flatbladed screwdriver from four directions. Moreover, to connect and use the YQ and SA, screw the YQ to the NQ according to the YQGUIDE (included with the YQ) using a 2.3 mm flatbladed screwdriver and then connect it to the SA. Fix the torque at 0.054 Nm (MAX.). If even one place is overtightened, it may cause poor contact.
- (5) For the NQ, YQ, and SA, since there is a danger that washing fluid on the structure will remain in the connector, do not perform washing.
- (6) NQ, IC, and YQ cannot be used in combination.
- (7) A NQ/YQ system cannot be used in an environment of vibrations or shocks.
- (8) It is assumed that this product will be used in system development and evaluation. Moreover, when used in Japan, Electrical Appliance and Material Control Law and electromagnetic disturbance countermeasures have not been applied.
- (9) Since there are rare cases of shape change if the box is left for a long time in a place where it is 50°C or higher, for safekeeping, store it in a place where it is no higher than 40°C and direct sunlight does not hit it.
- (10) For details about handling the NQ, YQ, and SA, see the NQPACK series technical materials at the website of Tokyo Eletech Corporation.

URL: <http://www.tetc.co.jp/>

### (11) CA

The CA is an optional product for IECUBE, and can be used to measure the waveform between IECUBE and the target system.

Since the pins on the CA do not correspond to the pin layout in each device, the pin header cover must be mounted according to the device to be used. For mounting methods of the pin header cover, refer to URL.

[http://www.renesas.com/qb\\_144\\_ca\\_01](http://www.renesas.com/qb_144_ca_01)

## 2.4.5 Precautions for mounting IC using NQ and MA

- (1) Confirm that there is no weld flash in the resin (sealant part) of the IC. If there is weld flash, remove it using a knife or the like.
- (2) Confirm that there is no weld flash breaking or bending of IC leads. In particular, confirm the planarity of IC leads. If there is abnormality in the planarity, correct that portion.
- (3) Viewing the NQ contact pins from the top, if there are foreign bodies on them, remove them using a brush or the like.  
After confirming (1) to (3), fit the IC to the NQ. Also fit the MA.
- (4) Put the supplied M2 x 6 mm screws in the four accessory holes of the MA and fasten the screws in opposite corners. At that time, use either the dedicated screwdriver that is supplied or a torque driver to fasten them equally in turn with a tightening torque of 0.054 Nm (MAX.). Since the contact is poor if tightening is too great, once you have lightly fastened the MA screws, tighten them again.
- (5) Depending on the use environment, when starting up a device that has been left for a long time, starting it may be difficult. In this case, loosen the screws slightly and then retighten them.
- (6) If startup still is difficult after (5) above, check (1) to (3) again.
- (7) Tightening the screws of the MA too much may give rise to cracks in the molded part of the MA (plastic part) and bend the mold into a bowed shape, making contact poor.
- (8) After soldering the NQ, do not perform cleaning by flux immersion or vapor.

## 2.5 Connecting QB-RL78G14 to Target System

If connecting the emulation probe (QB-80-EP-01T, QB-144-EP-02S), connect it to the QB-RL78G14 and the target system by the following procedure.

- (a) Connect the QB-RL78G14 to the probe.

Connect the emulation probe to the QB-RL78G14, as shown below.

Insert CN1, CN2 and CN3 of the probe into TCN1, TCN2 and TCN3 of the QB-RL78G14

In case of using QB-144-EP-02S, use probe holder.

Figure 2-7. Connect the QB-RL78G14 to the probe



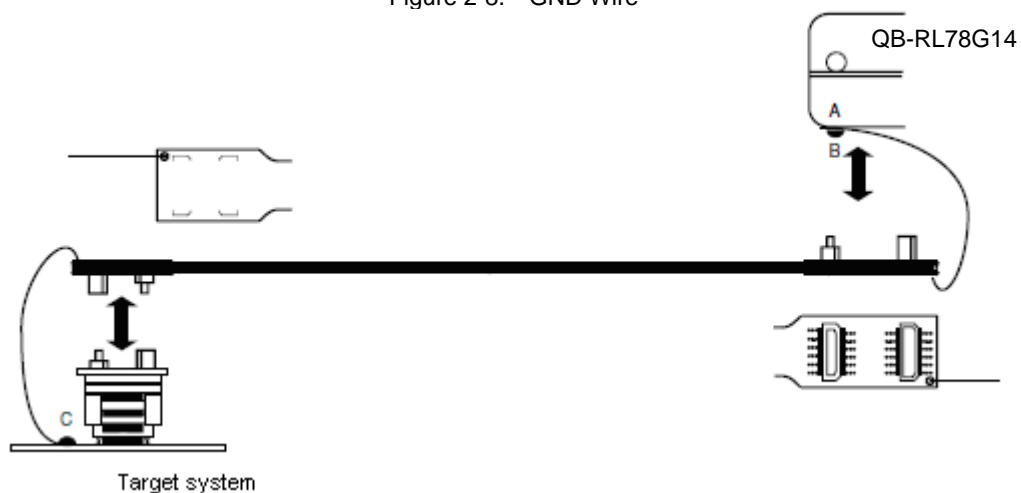
- (b) Connection of emulation probe GND wire

There are three GND wires in the emulation probe. Connect them to the QB-RL78G14 and target system.

<1> Fasten the GND wire on the QB-RL78G14 side of the emulation probe to the nut on the bottom of the QB-RL78G14 using a #0 or #1 Phillips precision screwdriver (connection of B to A in Figure 2-8).

<2> Next insert the connector on the top of the emulation probe into the connector at the opening on the bottom of the QB-RL78G14 from below being careful of the insertion direction.

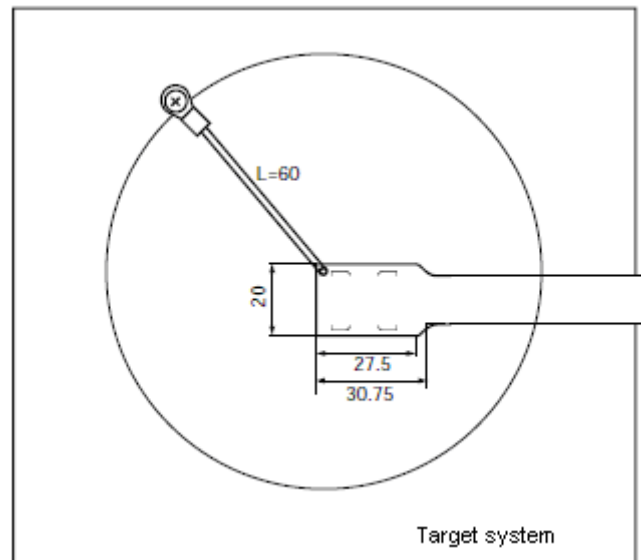
Figure 2-8. GND Wire





- <3> Connect the exchange adapter and emulation probe to the target connector.
- <4> Connect the GND wires on the target system side of the emulation probe to the target system GND. If a pin or screw is fastened to the target system GND, remove the transparent terminal cover on the end of the GND wire and fasten the Y terminal of the GND wire to the target system (C in Figure 2-8). If the GND on the target system is an exposed pad, likewise fasten the Y terminal to the pad on the target system by soldering (recommended soldering iron temperature setting: 300°C).
- <5> Since the length of the GND wire below the head (insulated part) is approximately 60 mm, there must be a GND to which it can be connected to within the range of the two approximately 60 mm radius sections of the target system for connecting the emulation probe, as shown in Figure 2-9.

Figure 2-9 Where GND Wire Can Be Connected



(c) Ensuring isolation

When connecting the target system to the QB-RL78G14 using an emulation probe, perform height regulation using the front spacer or rear spacer of the QB-RL78G14 and ensure isolation from the target system.

(d) Precautions related to emulation probe

<1> Be careful that stress of the emulation probe is not placed on the target connector. Moreover, when removing the emulation probe, remove it slowly while pressing down on the exchange adapter with a finger so that there is no stress on the target connector.

<2> Be sure to connect the GND wire of the emulation probe to the QB-RL78G14 and the target system. If it cannot be connected, the impedance of the cable is unstable and could bring about lowering of signal transmission characteristics or distortion of the output waveform for an input waveform.

## 2.6 Notes on Power Supply and GND Pin Connection

For power supplies and GND pins of the target device, be sure to connect all pins to each power supply or GND.

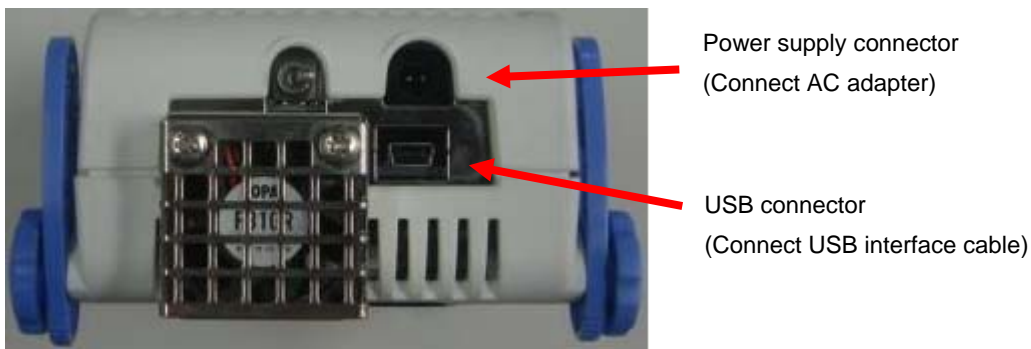
## 2.7 Connecting USB Interface Cable and AC Adapter

Plug the USB interface cable supplied with the QB-RL78G14 into the USB connector of the host machine, and plug the other side into the USB connector on the rear of the QB-RL78G14.

Plug the AC adapter supplied with the QB-RL78G14 into a receptacle and plug the other side into the power supply connector on the rear of the QB-RL78G14.

For QB-RL78G14 connector positions, see Figure 2-10.

Figure 2-10. Connector Positions



## 2.8 Switching Power On and Off

Be sure to switch the power on and off according to the following procedures.

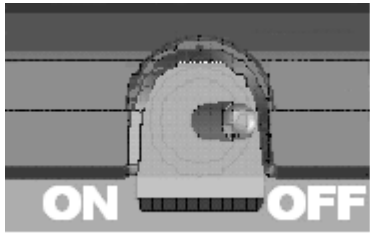
- |  |   |
|--|---|
| - Switching power on                       | - Switching power off                       |
| <1> QB-RL78G14 power on                    | <1> Debugger termination                    |
| <2> Target system power on <sup>Note</sup> | <2> Target system power off <sup>Note</sup> |
| <3> Debugger startup                       | <3> QB-RL78G14 power off                    |

**Note** In the procedures, <2> is unnecessary if the target system is not connected.

**Caution** If the wrong sequence was used for the operation, the target system or QB-RL78G14 may fail

## CHAPTER 3 SETTINGS AT PRODUCT SHIPMENT

**Table 3-1. Settings at Shipment**

Item	Setting	Remarks
OSC1	Not mounted	Oscillator can be mounted <sup>Note</sup> .
Power switch		Set to OFF at shipment.

**Note** The oscillation circuit using an oscillation cannot be used.

## CHAPTER 4 CAUTIONS

### 4.1 Cautions Regarding Differences Between Target Device and Emulator

When debugging is performed by connecting the QB-RL78G14 to the target system, the QB-RL78G14 emulates the target device as if it operates in the target system. However, the target device and the QB-RL78G14 operate differently in the following ways. Consequently, the target device should be used for final evaluation before launching mass production, and the customer is to be responsible for judging the appropriateness of applying the QB-RL78G14.

#### - On-chip debug function

The on-chip debug function cannot be emulated.

#### - Oscillator

The QB-RL78G14 does not support clock input by an oscillator in the target system. Consequently, the operation clock frequency when the target device is mounted in the target system may differ from the operation clock frequency when the QB-RL78G14 is connected.

#### - Pin characteristics

The pin characteristics of the QB-RL78G14 slightly differ when the target device is mounted to the target system, because a connector, adapter, emulation probe, and circuit board exist between the QB-RL78G14 and the target system. In particular, note that the A/D converter conversion results are commonly-affected.

#### - Current consumption

The current consumption of the QB-RL78G14 differs from that of the target device.

The current consumption may reach up to 250 mA.

The same amount of current is consumed in standby mode.

#### - Supplying positive reference voltage to the A/D Converter

When changing the positive reference voltage to the internal reference voltage (ADREFP1=1, ADREFP0=0) and AVREFP (ADREFP1=0, ADREFP0=1) from VDD (ADREFP1=0, ADREFP0=0), the stabilization time is different between IECUBE and target device. (Refer to following table 4-1.)

table4-1 Stabilization of IECUBE

Control code	Stabilization
A	1ms
B or later	400 $\mu$ s

**- Supplying negative reference voltage to the A/D Converter**

When setting supplying the negative reference voltage as AVREFM (ADREFM=1), VSS is supplied to AVREFM pin.

**- 3-wire serial (CSI)**

Supported emulating the 3-wired serial I/O (CSI) whose baud rate is 16 Mbps or 12 Mbps control code B or later.

**- Port 122, Port 51 and Port 30 pins input characteristics**

The input characteristics of the Port 122, Port 51 and Port 31 pins differ between the target device and emulator.

Table 4-1. Input Characteristics of Port 122, Port 51 and Port 30 pin

Item	Input Characteristics of P121 and P122 pin	
Target device	VIH MIN	0.8VDD
	VIL MAX	0.2VDD
IECUBE	VIH MIN	0.7VDD (2.7V ≤ VDD ≤ 5.5V)
		0.8VDD (1.6V ≤ VDD < 2.7V)
IECUBE	VIL MAX	0.3VDD (2.7V ≤ VDD ≤ 5.5V)
		0.2VDD (1.6V ≤ VDD < 2.7V)

**- Power-on-reset (POR) voltage value**

The power-on-reset (POR) voltage value differs from that of the target device.

Table 4-2. Power-on-reset (POR) voltage value

Item		MIN.	TYP.	MAX.
Target device	VPOR	1.48 V	1.51 V	1.54 V
	VPDR	1.47 V	1.50 V	1.53 V
IECUBE	VPOR	—	1.54 V	—
	VPDR	—	1.47 V	—

**- TTL input buffer characteristics**

If the port input mode register (PIM) is used to set the input of a pin that can be set for the TTL buffer to the TTL level, the high-level input voltage characteristics differ between the target device and emulator. See Table 4-3 for details. The following pins can be set for the TTL buffer.

Table 4-3. High-Level Input Voltage Characteristics

Item		Conditions
Target device	VIH MIN	2.2V (4.0 V ≤ VDD ≤ 5.5 V) 2.0V (2.7 V ≤ VDD < 4.0 V) 1.28V (1.6 V ≤ VDD < 3.3 V)
	VIL MAX	0.8V (4.0 V ≤ VDD ≤ 5.5 V) 0.5V (2.7 V ≤ VDD < 4.0 V) 0.32V (1.6 V ≤ VDD < 3.3 V)
IECUBE	VIH MIN	2.0V (3.3 V ≤ VDD ≤ 5 V) 1.17V (1.6 V ≤ VDD < 3.3 V)
	VIL MAX	0.8V (3.3 V ≤ VDD ≤ 5.5 V) 0.63V (1.6 V ≤ VDD < 3.3 V)

**- The detection voltage value of the voltage detector (LVD)**

The  $V_{LVIH}$  value of the detection voltage differs from that of the target device.

Table 4-4. The detection voltage

Target device		IECUBE	
Rising edge	Falling edge	Rising edge	Falling edge
1.67V	1.63V	1.64V	
1.77V	1.73V	1.74V	
1.88V	1.84V	1.85V	
1.98V	1.94V	1.95V	
2.09V	2.04V	2.05V	
2.50V	2.45V	2.46V	
2.61V	2.55V	2.56V	
2.71V	2.65V	2.66V	
2.81V	2.75V	2.76V	
2.92V	2.86V	2.87V	
3.02V	2.96V	2.97V	
3.13V	3.06V	3.07V	
3.75V	3.67V	3.68V	
4.06V	3.98V	3.99V	

**- I/O port output signal level detection function**

I/O port output signal level detection function emulate is not supported.

Even if you set as "Output data is read (PMS0=1)" at port mode select register (PMS), the value of the port register (Pmn) is read.

Remark m = 0 to 8, 10 to 12, 14, 15, n = 0 to 7

## 4.2 Debugging Note

### - Operation after target system power application

After power application, a program will be executed for the target device mounted in the target system when reset is released. However, with the QB-RL78G14, the program does not start until an operation to start execution is performed after the program is downloaded using the debugger.

### - Relation between Standby function and Break function

The break is interrupt function of CPU. The standby mode is released by the break for using the following debug function.

- Stops execution of the user program.
- Step execution of the standby instruction (Stops user program after execution instruction)
- Pseudo real-time RAM monitor function (Break When Readout)
- Pseudo Dynamic Memory Modification (Break When Write)
- Breakpoint setting executing of the user program.

### - Invalid memory access detection function (IAW)

The behavior when detecting an invalid memory access is different between target device and emulator.

Target device : Reset

IECUBE : Fail-safe break



# REVISION HISTORY

Revisions up to the previous edition are shown below. The “Applied to” column indicates the chapter in each edition to which the revision was applied.

Edition	Description	Applied to
2th edition	1.1 Hardware Specifications - Change of Table 1-1	CHAPTER 1 GENERAL
	1.4 System Configuration - Change of Figure 1-2	
	1.5 System Configuration for Each Target Device - Addition and change in Table 1-3 Adapters and Connectors for Each Target Device	
	1.6 Package Contents - Addition and change Package Contents.	
	CHAPTER 2 SETUP PROCEDURE - Configuration Reviewing - Addition in 2.3 Mounting and Connecting Connectors (When Using S Type)	CHAPTER 2 SETUP PROCEDURE
	4.1 Cautions Regarding Differences Between Target Device and Emulator Addition and change the following Cautions [Addition] - Supplying positive reference voltage to the A/D Converter - Supplying negative reference voltage to the A/D Converter - I/O port output signal level detection function [Change] - 3-wire serial (CSI) - Port 122, Port 51 and Port 30 pins input characteristics	CHAPTER 4 CAUTIONS

---

QB-RL78G14  
In-Circuit Emulator  
User's Manual

Publication Date:      Aug 3<sup>rd</sup>, 2011      Rev.1.00  
                                 Feb 24<sup>th</sup>, 2012      Rev.2.00

Published by:            Renesas Electronics Corporation

---



Renesas Electronics Corporation

<http://www.renesas.com>

**SALES OFFICES**

Refer to "<http://www.renesas.com>" for the latest and detailed information.

**Renesas Electronics America Inc.**

2880 Scott Boulevard Santa Clara, CA 95050-2554, U.S.A.  
Tel: +1-408-588-6000, Fax: +1-408-588-6130

**Renesas Electronics Canada Limited**

1101 Nicholson Road, Newmarket, Ontario L3Y 9C3, Canada  
Tel: +1-905-898-5441, Fax: +1-905-898-3220

**Renesas Electronics Europe Limited**

Dukes Meadow, Millboard Road, Boume End, Buckinghamshire, SL8 5FH, U.K.  
Tel: +44-1628-585-100, Fax: +44-1628-585-900

**Renesas Electronics Europe GmbH**

Arcadiastrasse 10, 40472 Düsseldorf, Germany  
Tel: +49-211-65030, Fax: +49-211-6503-1327

**Renesas Electronics (China) Co., Ltd.**

7th Floor, Quantum Plaza, No.27 ZhiChunLu Haidian District, Beijing 100083, P.R.China  
Tel: +86-10-8235-1155, Fax: +86-10-8235-7679

**Renesas Electronics (Shanghai) Co., Ltd.**

Unit 204, 205, AZIA Center, No.1233 Lujiazui Ring Rd., Pudong District, Shanghai 200120, China  
Tel: +86-21-5877-1818, Fax: +86-21-6887-7856 / -7898

**Renesas Electronics Hong Kong Limited**

Unit 1601-1613, 16/F., Tower 2, Grand Century Place, 193 Prince Edward Road West, Mongkok, Kowloon, Hong Kong  
Tel: +852-2886-9318, Fax: +852-2886-9022/9044

**Renesas Electronics Taiwan Co., Ltd.**

13F, No. 363, Fu Shing North Road, Taipei, Taiwan  
Tel: +886-2-8175-9600, Fax: +886-2-8175-9670

**Renesas Electronics Singapore Pte. Ltd.**

1 harbourFront Avenue, #06-10, keppel Bay Tower, Singapore 098632  
Tel: +65-6213-0200, Fax: +65-6278-8001

**Renesas Electronics Malaysia Sdn.Bhd.**

Unit 906, Block B, Menara Amcorp, Amcorp Trade Centre, No. 18, Jln Persiaran Barat, 46050 Petaling Jaya, Selangor Darul Ehsan, Malaysia  
Tel: +60-3-7955-9390, Fax: +60-3-7955-9510

**Renesas Electronics Korea Co., Ltd.**

11F., Samik Lavied' or Bldg., 720-2 Yeoksam-Dong, Kangnam-Ku, Seoul 135-080, Korea  
Tel: +82-2-558-3737, Fax: +82-2-558-5141

QB-RL78G14  
In-Circuit Emulator  
User's Manual