

8

7

6

5

4

3

2

1

REVISIONS				
DCN	REV	DESCRIPTION	DATE	CHANGE BY
	A	INITIAL RELEASE	2010-08-05	K. LEUNG

# IDT 89HP0604S(B) 36-QFN SATA EVALUATION BOARD

## TABLE OF CONTENTS

89HP0604S, POWER.....2

89HP0604S, SATA CONNECTORS...3

DLP CONTROLLER.....4

89HP0604SB, POWER.....5

89HP0604SB, SATA CONNECTORS..6



CONFIDENTIAL PROPERTY OF INTEGRATED DEVICE TECHNOLOGY, INC.  
 6024 SILVER CREEK VALLEY ROAD, SAN JOSE, CA 95138  
 COPYRIGHT (C) 2010 IDT

TITLE			
89EBP0604S(B) Eval Board			
SIZE	DRAWING NO.	FAB P/N	REV.
B	P0604S-SATA-EB-001	18-703-000	A
AUTHOR		CHECKED BY	
K. Leung		D. Huang	
Mon Dec 06 16:35:06 2010			SHEET 1 OF 6

8

7

6

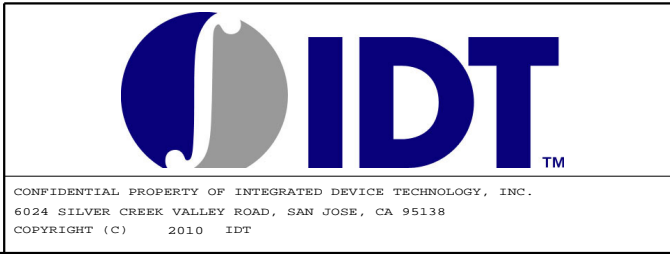
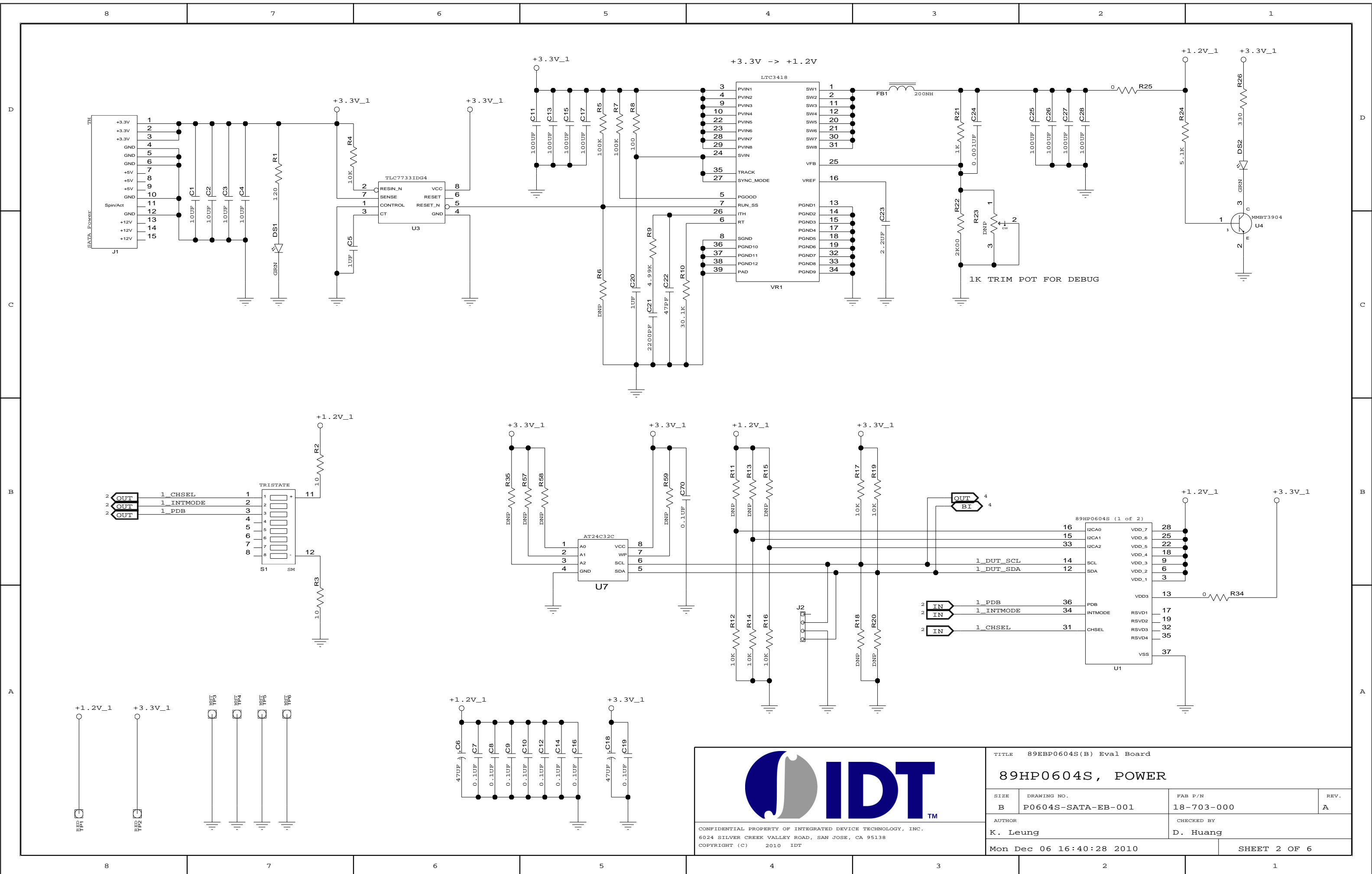
5

4

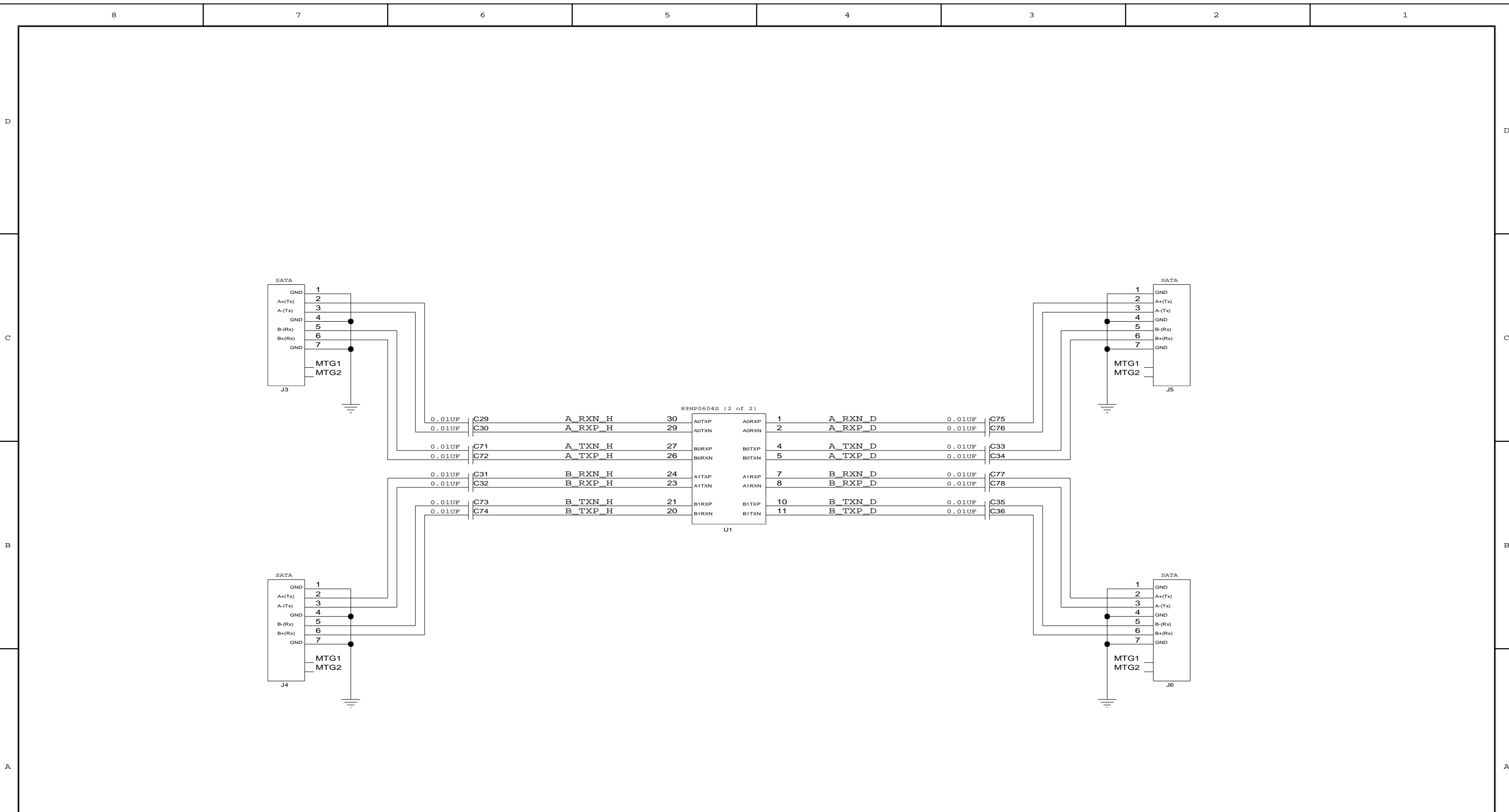
3


2

1

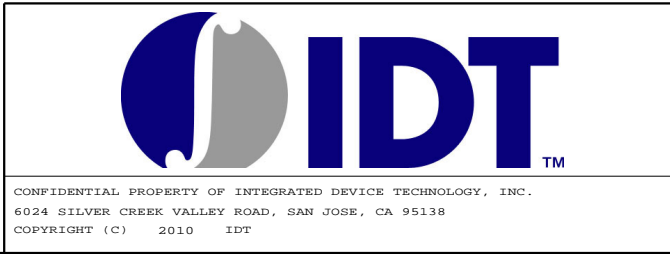
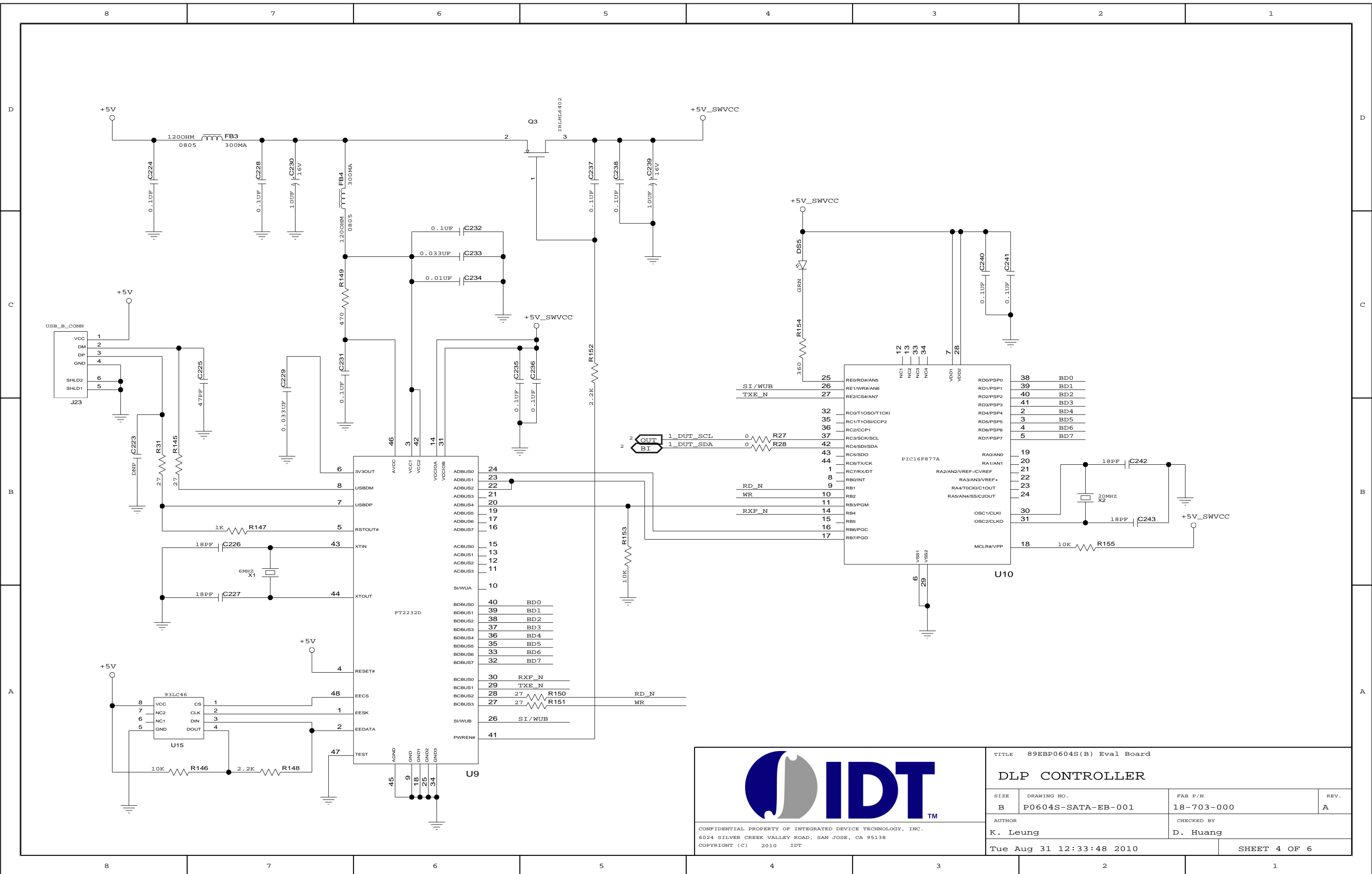


TITLE 89EP0604S(B) Eval Board			
89HP0604S, POWER			
SIZE	DRAWING NO.	FAB P/N	REV.
B	P0604S-SATA-EB-001	18-703-000	A
AUTHOR		CHECKED BY	
K. Leung		D. Huang	
Mon Dec 06 16:40:28 2010			SHEET 2 OF 6

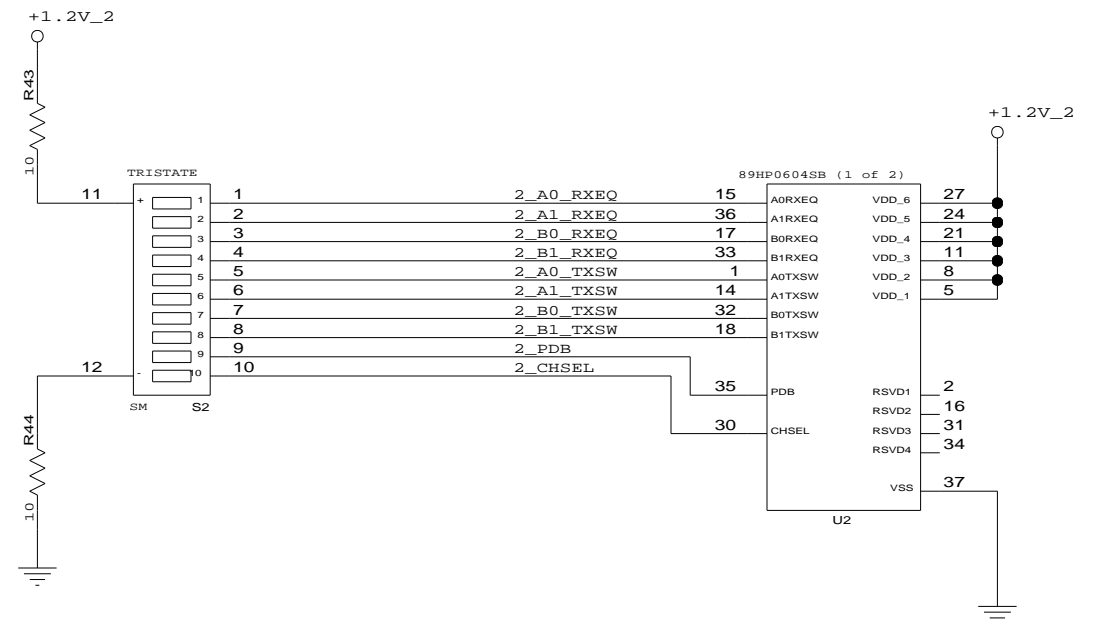
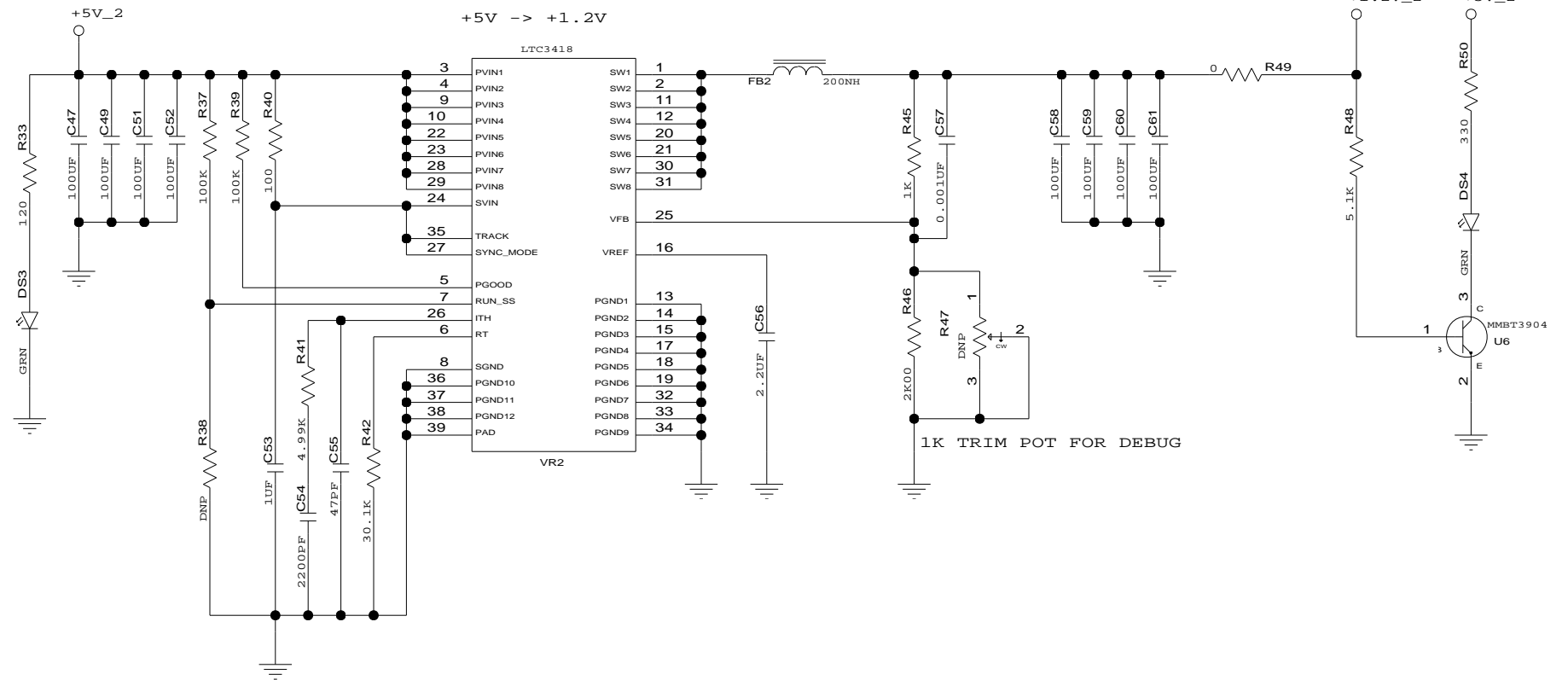
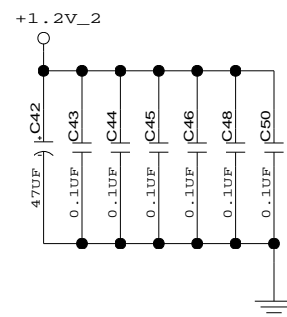
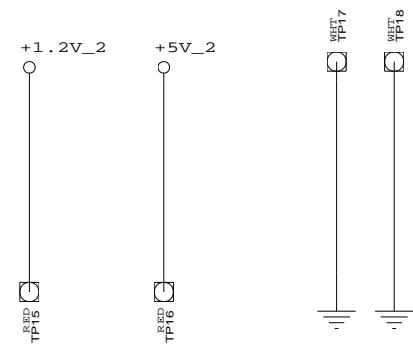
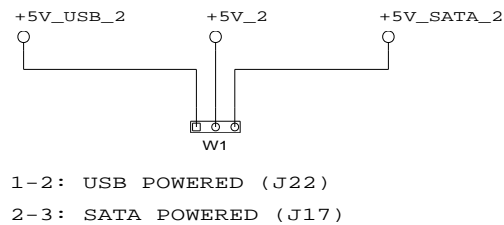
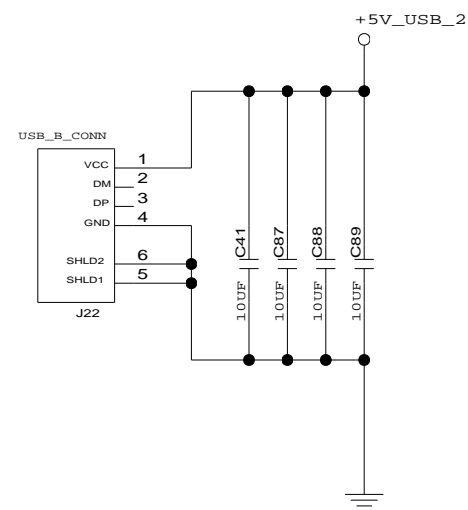
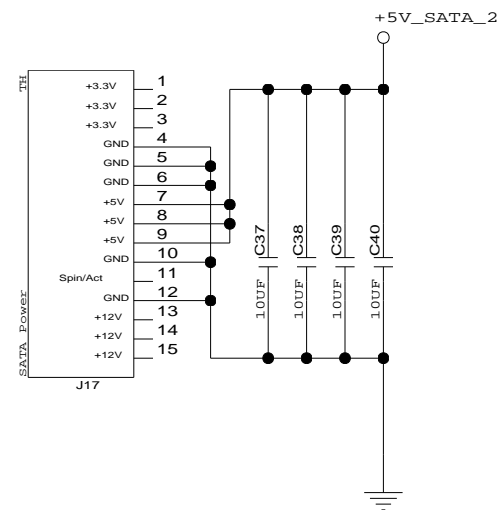



		TITLE 89EBP0604S(B) Eval Board		
		89HP0604S, SATA CONNECTORS		
SIZE	DRAWING NO.	FAB P/N	REV.	
B	P0604S-SATA-EB-001	18-703-000	A	
AUTHOR		CHECKED BY		
K. Leung		D. Huang		
Tue Aug 31 12:33:11 2010			SHEET 3 OF 6	

CONFIDENTIAL PROPERTY OF INTEGRATED DEVICE TECHNOLOGY, INC.  
 6024 SILVER CREEK VALLEY ROAD, SAN JOSE, CA 95138  
 COPYRIGHT (C) 2010 IDT



TITLE 89EP0604S(B) Eval Board			
DLP CONTROLLER			
SIZE	DRAWING NO.	FAB P/N	REV.
B	P0604S-SATA-EB-001	18-703-000	A
AUTHOR		CHECKED BY	
K. Leung		D. Huang	
Tue Aug 31 12:33:48 2010			SHEET 4 OF 6



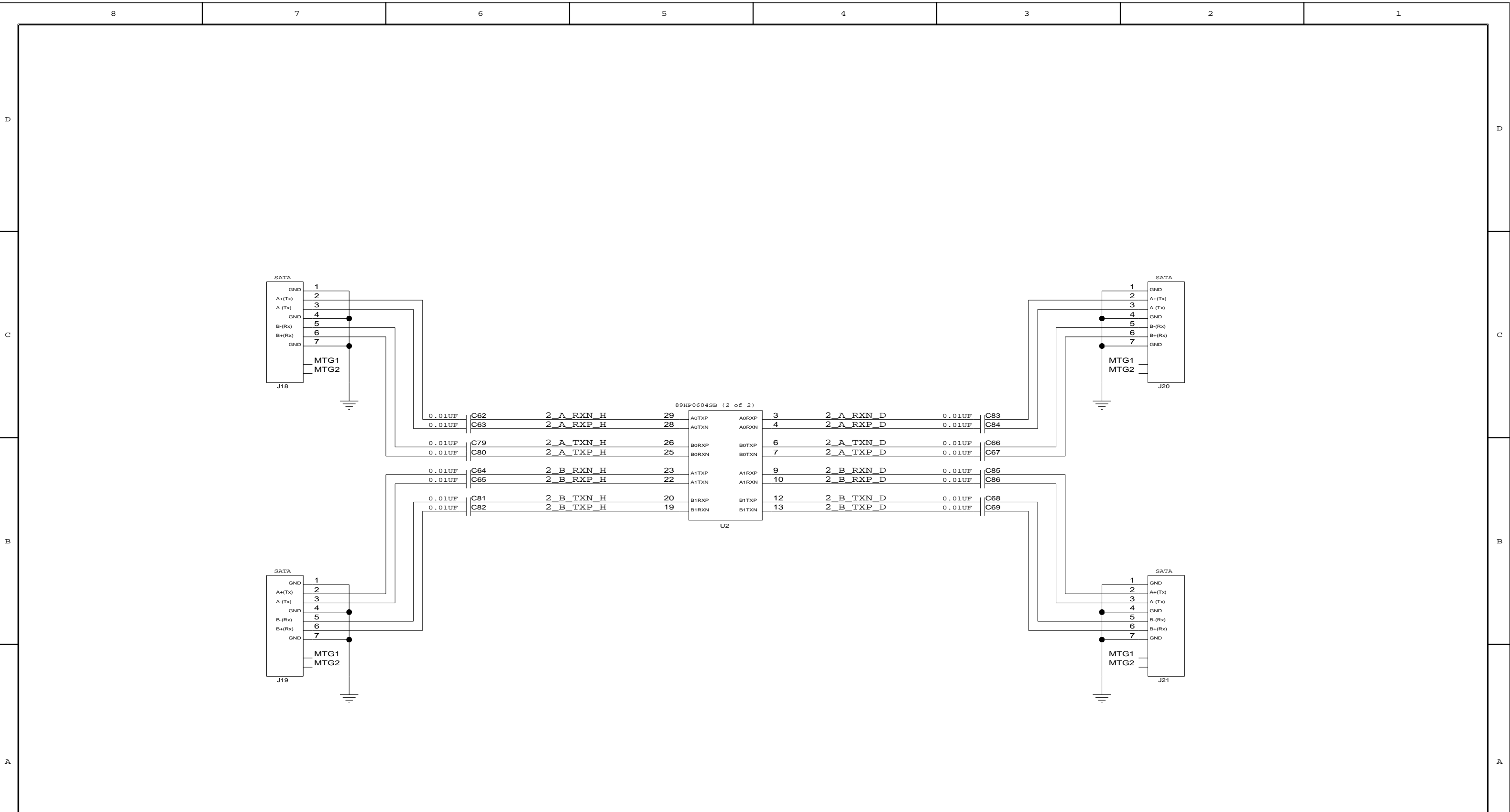



CONFIDENTIAL PROPERTY OF INTEGRATED DEVICE TECHNOLOGY, INC.  
6024 SILVER CREEK VALLEY ROAD, SAN JOSE, CA 95138  
COPYRIGHT (C) 2010 IDT

TITLE 89EBP0604S(B) Eval Board

## 89HP0604SB, POWER

SIZE	DRAWING NO.	FAB P/N	REV.
B	P0604S-SATA-EB-001	18-703-000	A
AUTHOR		CHECKED BY	
K. Leung		D. Huang	
Mon Dec 06 16:40:28 2010			SHEET 5 OF 6



		TITLE 89BP0604S(B) Eval Board <b>89HP0604SB, SATA CONNECTORS</b>		
		SIZE B AUTHOR K. Leung Thu Aug 05 02:15:50 2010	DRAWING NO. P0604S-SATA-EB-001 CHECKED BY D. Huang	FAB P/N 18-703-000 SHEET 6 OF 6
CONFIDENTIAL PROPERTY OF INTEGRATED DEVICE TECHNOLOGY, INC. 6024 SILVER CREEK VALLEY ROAD, SAN JOSE, CA 95138 COPYRIGHT (C) 2010 IDT				