

Contents

1. Introduction	2
2. Regular Through-Shaft Resolver 4.0	2
3. Backward Compatible Resolver 4.0	8
4. Easy Side-Shaft Resolver 4.0	11
5. Easy side-shaft plus Resolver 4.0.....	13
Revision History	16

Figures

Figure 1. Example of a Regular Through-Shaft Resolver 4.0 Design	2
Figure 3. Example Rendered Image of a Regular Through-Shaft Resolver 4.0	3
Figure 4. Example Rendered Image of a Backward Compatible Resolver 4.0 – Top View	8
Figure 5. Example Rendered Image of a Backward Compatible Resolver 4.0 – Bottom View.....	8
Figure 4. Example of an Easy Side-Shaft Resolver 4.0	11
Figure 5. Example Rendered Easy Side-Shaft Resolver 4.0	11
Figure 6. Example of an Easy Side-Shaft Plus Resolver 4.0	13
Figure 6. Example rendered Easy Side-Shaft Plus Resolver 4.0 – top view	13
Figure 6. Example rendered Easy Side-Shaft Plus Resolver 4.0 – bottom view	14

Tables

Table 1. Regular Through-Shaft Resolver 4.0 Characteristics	4
Table 2. Backward Compatible Resolver 4.0 Characteristics	9
Table 2. Easy Side-Shaft Resolver 4.0 Characteristics.....	12
Table 4. Easy Side-Shaft Plus Resolver 4.0 Characteristics ^[c]	14

1. Introduction

The Resolver 4.0 Catalog is a collection of plug-and-play sensor designs, which are simulated, optimized and tested. For downloading PCB documents (including BOM and PCB manufacturing data), Measurement reports, and Gerber data for each design, click on the relevant link in the tables below.

Important: all reference designs of the Resolver 4.0 Catalog are compatible both with the IPS2200 and the IPS2550.

Important: For downloading the Gerber files, registration and acceptance of Renesas' legal terms and conditions are required.

2. Regular Through-Shaft Resolver 4.0

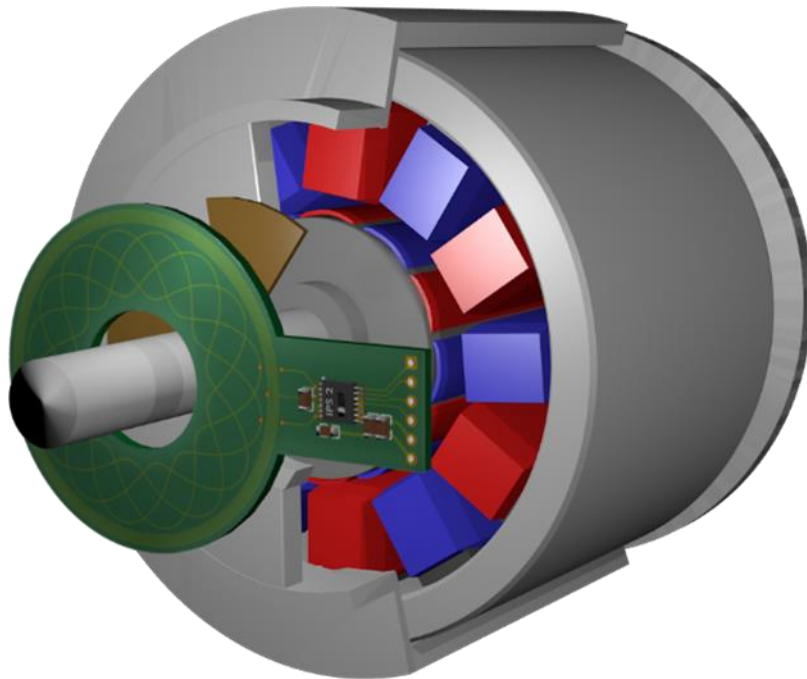


Figure 1. Example of a Regular Through-Shaft Resolver 4.0 Design

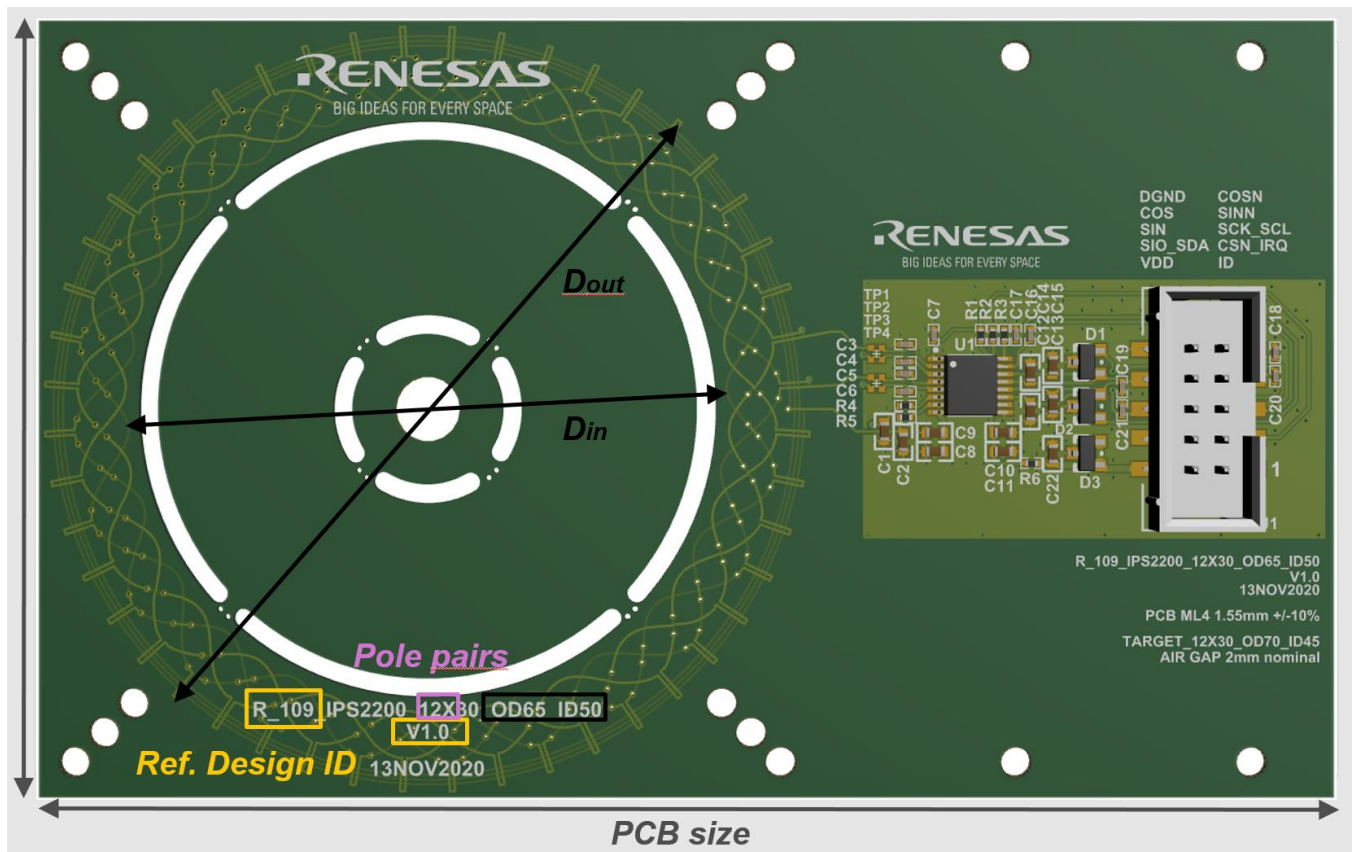


Figure 2. Example Rendered Image of a Regular Through-Shaft Resolver 4.0

Table 1. Regular Through-Shaft Resolver 4.0 Characteristics

Ref. Design ID	Single / Redundant	Number of Pole Pairs	PCB Size [mm]	Coil Size D _{out} / D _{in} ^[a] [mm]	Target Size D _{out} / D _{in} [mm]	Air Gap (Nominal) [mm]	Accuracy ^[b] (Nominal) [deg. mech.] / [deg. el.]	Links
R_66_V10	Single	1	64 x 40	19 / 6	24 / 6	1	±0.370 ±0.370	PCB Documentation Measurement Report Gerber Files
R_92_V10	Single	1	40 x 40	19 / 6	24 / 6	1	±0.491 ±0.491	PCB Documentation Measurement Report Gerber Files
R_67_V10	Single	2	64 x 40	19 / 6	24 / 6	1	±0.110 ±0.220	PCB Documentation Measurement Report Gerber Files
R_93_V10	Single	2	40 x 40	19 / 6	24 / 6	1	±0.112 ±0.223	PCB Documentation Measurement Report Gerber Files
R_68_V10	Single	3	64 x 40	19 / 6	24 / 6	1	±0.088 ±0.264	PCB Documentation Measurement Report Gerber Files
R_94_V10	Single	3	40 x 40	19 / 6	24 / 6	1	±0.129 ±0.388	PCB Documentation Measurement Report Gerber Files
R_69_V10	Single	4	64 x 40	19 / 6	24 / 6	1	±0.054 ±0.218	PCB Documentation Measurement Report Gerber Files
R_75_V10	Single	5	64 x 40	19 / 6	24 / 6	1	±0.053 ±0.264	PCB Documentation Measurement Report Gerber Files
R_95_V10	Single	5	40 x 40	19 / 6	24 / 6	1	±0.060 ±0.299	PCB Documentation Measurement Report Gerber Files
R_63_V10	Single	1	64 x 40	32 / 18	36 / 12	2	±0.339 ±0.339	PCB Documentation Measurement Report Gerber Files
R_64_V10	Single	2	64 x 40	32 / 18	36 / 12	2	±0.179 ±0.359	PCB Documentation Measurement Report Gerber Files
R_56_V10	Single	3	64 x 40	32 / 18	35 / 13	2	±0.077 ±0.23	PCB Documentation Measurement Report Gerber Files
R_53_V10	Single	4	64 x 40	32 / 18	35 / 13	2	±0.119 ±0.476	PCB Documentation Measurement Report Gerber Files
R_54_V10	Single	5	64 x 40	32 / 18	35 / 13	2	±0.063 ±0.317	PCB Documentation Measurement Report Gerber Files
R_58_V10	Single	6	64 x 40	32 / 18	35 / 13	1.5	±0.061	PCB Documentation

Resolver 4.0 Catalog

Ref. Design ID	Single / Redundant	Number of Pole Pairs	PCB Size [mm]	Coil Size D _{out} / D _{in} ^[a] [mm]	Target Size D _{out} / D _{in} [mm]	Air Gap (Nominal) [mm]	Accuracy ^[b] (Nominal) [deg. mech.] / [deg. el.]	Links
							±0.365	Measurement Report Gerber Files
R_96_V10	Single	7	84 x 42	31 / 18	36 / 12	2	±0.038 ±0.270	PCB Documentation Measurement Report Gerber Files
R_59_V10	Single	8	64 x 40	32 / 18	35 / 13	1.5	±0.028 ±0.223	PCB Documentation Measurement Report Gerber Files
R_60_V10	Single	10	64 x 40	32 / 18	35 / 13	1.5	±0.021 ±0.212	PCB Documentation Measurement Report Gerber Files
R_84_V10	Single	13	91 x 80	35 / 20	36 / 18	2	±0.030 ±0.396	PCB Documentation Measurement Report Gerber Files
R_79_V10	Single	4	75 x 50	45 / 24	50 / 19	2	±0.053 ±0.213	PCB Documentation Measurement Report Gerber Files
R_102_V20	Single	5	84 x 40	38 / 22	42 / 18	2	±0.051 ±0.253	PCB Documentation Measurement Report Gerber Files
R_85_V10	Single	13	91 x 80	44 / 20	44 / 18	2	±0.032 ±0.416	PCB Documentation Measurement Report Gerber Files
R_99_V10	Single	1	110 x 66	65 / 50	70 / 45	3	±0.568 ±0.568	PCB Documentation Measurement Report Gerber Files
R_100_V10	Single	2	110 x 66	65 / 50	70 / 45	2	±0.104 ±0.208	PCB Documentation Measurement Report Gerber Files
R_76_V10	Single	3	94 x 70	65 / 50	70 / 45	3	±0.166 ±0.497	PCB Documentation Measurement Report Gerber Files
R_71_V10	Single	4	94 x 70	65 / 50	70 / 45	3	±0.096 ±0.383	PCB Documentation Measurement Report Gerber Files
R_08_V30	Single	4	94 x 70	60 / 38	66 / 32	5	±0.057 ±0.229	PCB Documentation Measurement Report Gerber Files
R_61_V12	Single	4	80 x 80	70 / 54	74 / 54	2	±0.106 ±0.423	PCB Documentation Measurement Report Gerber Files
R_87_V10	Single	5	112 x 66	60 / 24	60 / 22	3	±0.061 ±0.306	PCB Documentation Measurement Report Gerber Files

Resolver 4.0 Catalog

Ref. Design ID	Single / Redundant	Number of Pole Pairs	PCB Size [mm]	Coil Size D_{out} / D_{in} ^[a] [mm]	Target Size D_{out} / D_{in} [mm]	Air Gap (Nominal) [mm]	Accuracy ^[b] (Nominal) [deg. mech.] / [deg. el.]	Links
R_101_V10	Single	5	110 x 66	65 / 50	70 / 45	3	±0.065 ±0.327	PCB Documentation Measurement Report Gerber Files
R_107_V10	Single	6	110 x 66	65 / 50	70 / 45	3	±0.052 ±0.315	PCB Documentation Measurement Report Gerber Files
R_97_V10	Single	7	110 x 66	65 / 50	70 / 45	2	±0.045 ±0.316	PCB Documentation Measurement Report Gerber Files
R_108_V10	Single	8	110 x 66	65 / 50	70 / 45	2	±0.033 ±0.260	PCB Documentation Measurement Report Gerber Files
R_72_V10	Single	10	94 x 70	65 / 50	70 / 45	3	±0.022 ±0.224	PCB Documentation Measurement Report Gerber Files
R_109_V10	Single	12	110 x 66	65 / 50	70 / 45	2	±0.027 ±0.324	PCB Documentation Measurement Report Gerber Files
R_116_V10	Single	16	108 x 66	60 / 32	64 / 28	2.5	±0.028 ±0.446	PCB Documentation Measurement Report Gerber Files
R_90_V10	Single	32	108 x 66	60 / 32	64 / 28	1	±0.011 ±0.366	PCB Documentation Measurement Report Gerber Files
R_110_V10	Single	1	142 x 92	97 / 66	100 / 62	3	±0.310 ±0.310	PCB Documentation Measurement Report Gerber Files
R_111_V10	Single	2	142 x 92	97 / 66	100 / 62	3	±0.112 ±0.225	PCB Documentation Measurement Report Gerber Files
R_112_V10	Single	3	142 x 92	97 / 66	100 / 62	3	±0.077 ±0.230	PCB Documentation Measurement Report Gerber Files
R_73_V10	Single	4	120 x 120	97 / 66	100 / 62	3	±0.092 ±0.368	PCB Documentation Measurement Report Gerber Files
R_65_V10	Single	5	120 x 120	97 / 66	100 / 62	3	±0.066 ±0.329	PCB Documentation Measurement Report Gerber Files
R_113_V10	Single	6	142 x 92	97 / 66	100 / 62	3	±0.037 ±0.222	PCB Documentation Measurement Report Gerber Files
R_98_V10	Single	7	142 x 92	97 / 66	100 / 62	3	±0.035 ±0.246	PCB Documentation Measurement Report

Resolver 4.0 Catalog

Ref. Design ID	Single / Redundant	Number of Pole Pairs	PCB Size [mm]	Coil Size D_{out} / D_{in} [mm] ^[a]	Target Size D_{out} / D_{in} [mm]	Air Gap (Nominal) [mm]	Accuracy ^[b] (Nominal) [deg. mech.] / [deg. el.]	Links
								Gerber Files
R_114_V10	Single	8	142 x 92	97 / 66	100 / 62	3	±0.029 ±0.234	PCB Documentation Measurement Report Gerber Files
R_74_V10	Single	10	120 x 120	97 / 66	100 / 62	3	±0.031 ±0.313	PCB Documentation Measurement Report Gerber Files
R_115_V10	Single	12	142 x 98	97 / 66	100 / 62	3	±0.019 ±0.228	PCB Documentation Measurement Report Gerber Files

[a] D_{out} refers to the outer diameter, and D_{in} refers to the inner diameter.

[b] The typical accuracy is obtained as the maximum of the absolute full-scale error at the nominal air gap.

3. Backward Compatible Resolver 4.0

In every Backward Compatible Resolver 4.0 design, the sensing element and all components including IPS2 and connector are placed on the same area (ring). Therefore no extra PCB area is needed for the components and the design represents a backward compatible resolver solution.

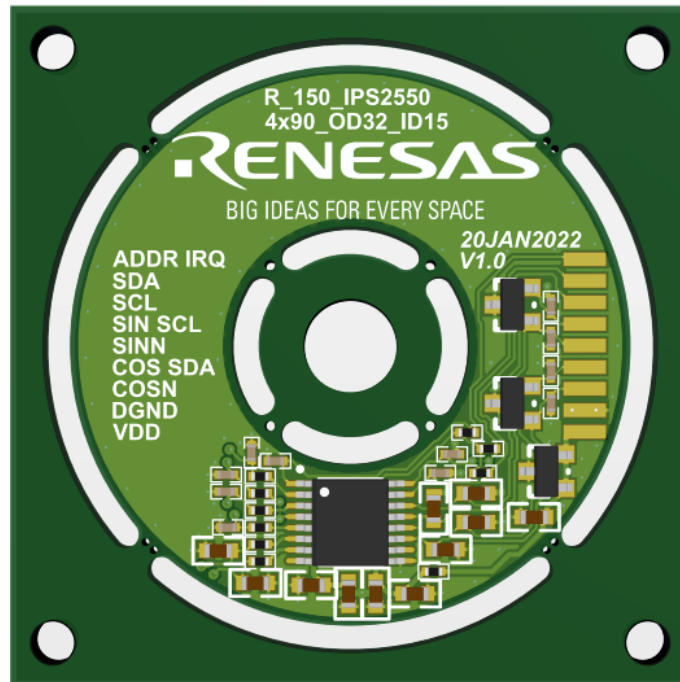


Figure 3. Example Rendered Image of a Backward Compatible Resolver 4.0 – Top View

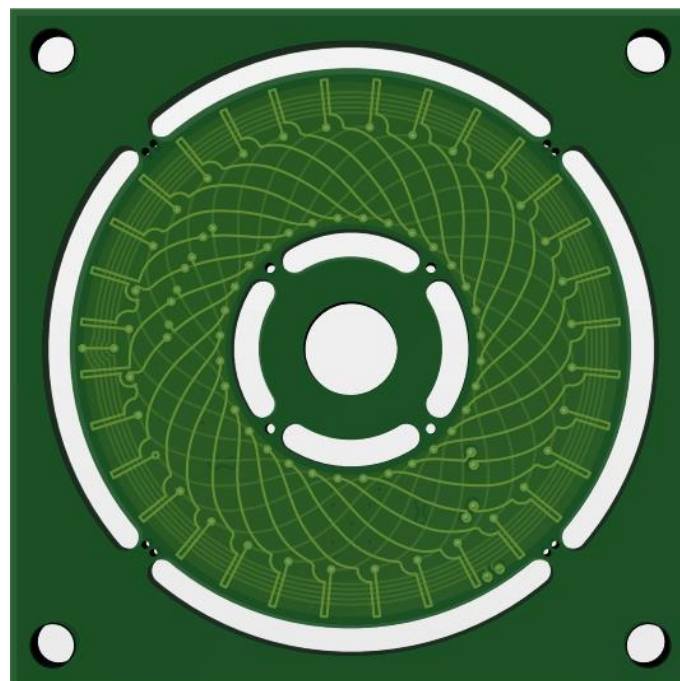


Figure 4. Example Rendered Image of a Backward Compatible Resolver 4.0 – Bottom View

Table 2. Backward Compatible Resolver 4.0 Characteristics

Ref. Design ID	Single / Redundant	Number of Pole Pairs	PCB Size D _{out} / D _{in} ^[a] [mm]	Coil Size D _{out} / D _{in} [mm]	Target Size D _{out} / D _{in} [mm]	Air Gap (Nominal) [mm]	Accuracy ^[b] (Nominal) [deg. mech.] / [deg. el.]	Links
R_77_V20	Single	4	29 / 5.7	22 / 6	24 / 6	1.5	±0.118 ±0.474	PCB Documentation Measurement Report Gerber Files
R_147_V10	Single	1	33 / 14	32 / 14.9	33 / 12	1.5	±0.255 ±0.255	PCB Documentation Measurement Report Gerber Files
R_148_V10	Single	2	33 / 14	32 / 14.9	33 / 12	1.5	±0.119 ±0.237	PCB Documentation Measurement Report Gerber Files
R_149_V10	Single	3	33 / 14	32 / 14.9	31 / 12	1.5	±0.082 ±0.247	PCB Documentation Measurement Report Gerber Files
R_150_V10	Single	4	33 / 14	32 / 14.9	33 / 12	1.5	±0.080 ±0.322	PCB Documentation Measurement Report Gerber Files
R_151_V10	Single	2	63 / 37	62 / 38	60 / 36	2.5	±0.126 ±0.251	PCB Documentation Measurement Report Gerber Files
R_152_V10	Single	3	63 / 37	62 / 38	60 / 36	2.5	±0.084 ±0.251	PCB Documentation Measurement Report Gerber Files
R_153_V10	Single	4	63 / 37	62 / 38	60 / 36	2.5	±0.056 ±0.225	PCB Documentation Measurement Report Gerber Files
R_154_V10	Single	5	63 / 37	62 / 38	60 / 36	2.5	±0.039 ±0.193	PCB Documentation Measurement Report Gerber Files
R_155_V10	Single	6	63 / 37	62 / 38	60 / 36	2.5	±0.025 ±0.148	PCB Documentation Measurement Report Gerber Files
R_156_V10	Single	7	63 / 37	62 / 38	60 / 36	2.5	±0.030 ±0.210	PCB Documentation Measurement Report Gerber Files
R_157_V10	Single	8	63 / 37	62 / 38	60 / 36	2.5	±0.021 ±0.167	PCB Documentation Measurement Report Gerber Files
R_158_V10	Single	9	63 / 37	62 / 38	60 / 36	2.5	±0.033 ±0.297	PCB Documentation Measurement Report Gerber Files
R_159_V10	Single	10	63 / 37	62 / 38	60 / 36	2.5	±0.022 ±0.223	PCB Documentation Measurement Report Gerber Files

Resolver 4.0 Catalog

Ref. Design ID	Single / Redundant	Number of Pole Pairs	PCB Size D _{out} / D _{in} ^[a] [mm]	Coil Size D _{out} / D _{in} [mm]	Target Size D _{out} / D _{in} [mm]	Air Gap (Nominal) [mm]	Accuracy ^[b] (Nominal) [deg. mech.] / [deg. el.]	Links
R_160_V10	Single	12	63 / 37	62 / 38	60 / 36	2.5	±0.019 ±0.227	PCB Documentation Measurement Report Gerber Files

[a] D_{out} refers to the outer diameter, and D_{in} refers to the inner diameter.

[b] The typical accuracy is obtained as the maximum of the absolute full-scale error at the nominal air gap.

[c] Ring shaped rotary design, 3.2mm PCB thickness, blind vias. Measured with IPS2550 which is compatible with IPS2200 either by crossing out pins 3 and 4 in the schematic and layout designs or by changing the registers to IPS2200 mode in the IPS ComBoard GUI.

4. Easy Side-Shaft Resolver 4.0

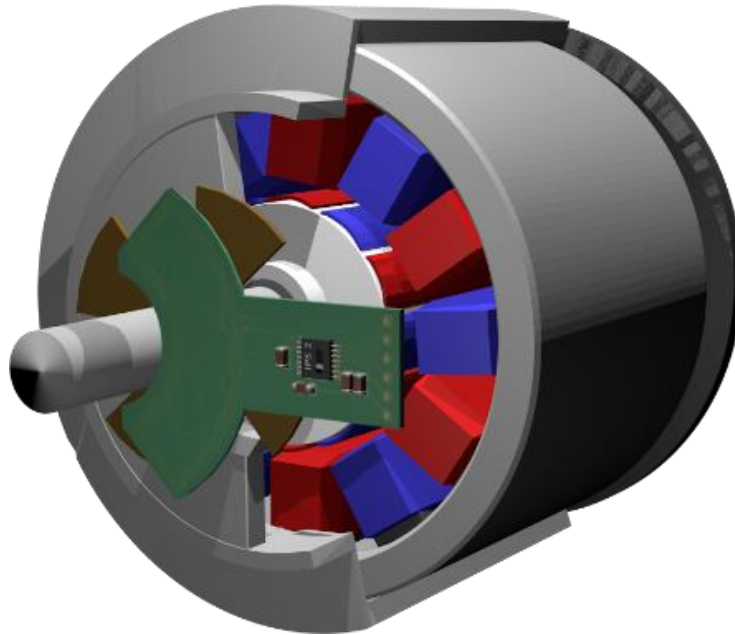


Figure 5. Example of an Easy Side-Shaft Resolver 4.0

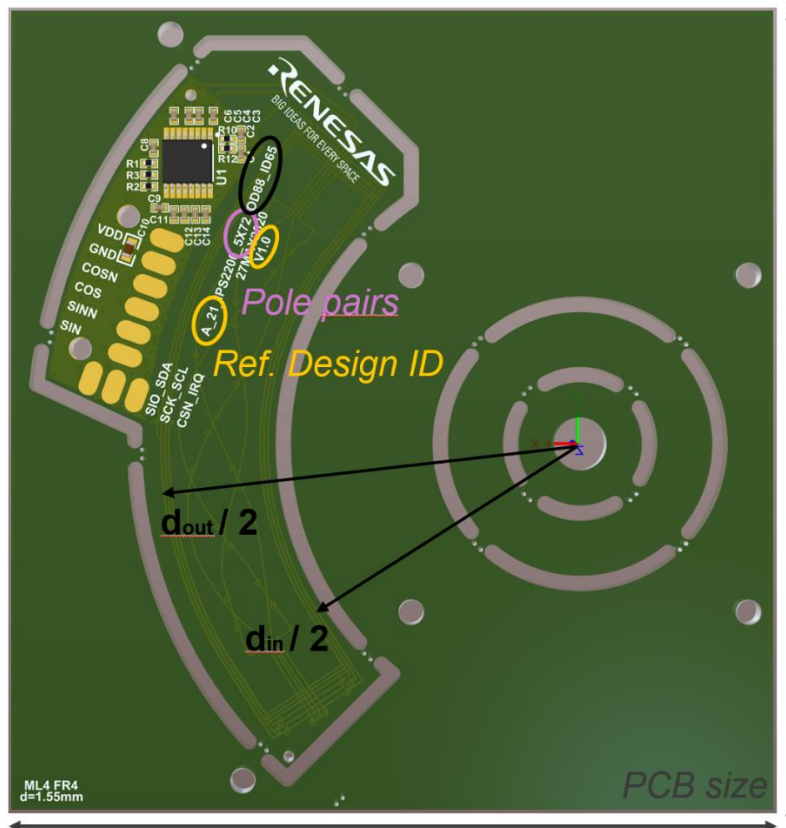


Figure 6. Example Rendered Easy Side-Shaft Resolver 4.0

Table 3. Easy Side-Shaft Resolver 4.0 Characteristics

Ref. Design ID	Single / Redundant	Number of Pole Pairs	PCB Size [mm]	Coil Size D _{out} / D _{in} [mm] ^[a]	Target Size D _{out} / D _{in} [mm]	Air Gap (Nominal) [mm]	Accuracy ^[b] (Nominal) [deg. mech.] / [deg. el.]	Links
A_20_V11	Single	12	118 x 60	139 / 117	143 / 114	3.5	±0.059 ±0.709	PCB Documentation Measurement Report Gerber Files
A_21_V10	Single	5	83 x 79	88 / 65	92 / 61	3	±0.159 ±0.793	PCB Documentation Measurement Report Gerber Files
A_27_V10	Single	3	33 / 14	30 / 16	31 / 14	1	±0.473 ±1.419	PCB Documentation Measurement Report Gerber Files
A_28_V10	Single	4	33 / 14	32 / 15	31 / 14	1	±0.338 ±1.353	PCB Documentation Measurement Report Gerber Files

[a] D_{out} refers to the outer diameter, and D_{in} refers to the inner diameter.

[b] The typical accuracy is obtained as the maximum of the absolute full-scale error at the nominal air gap.

5. Easy side-shaft plus Resolver 4.0

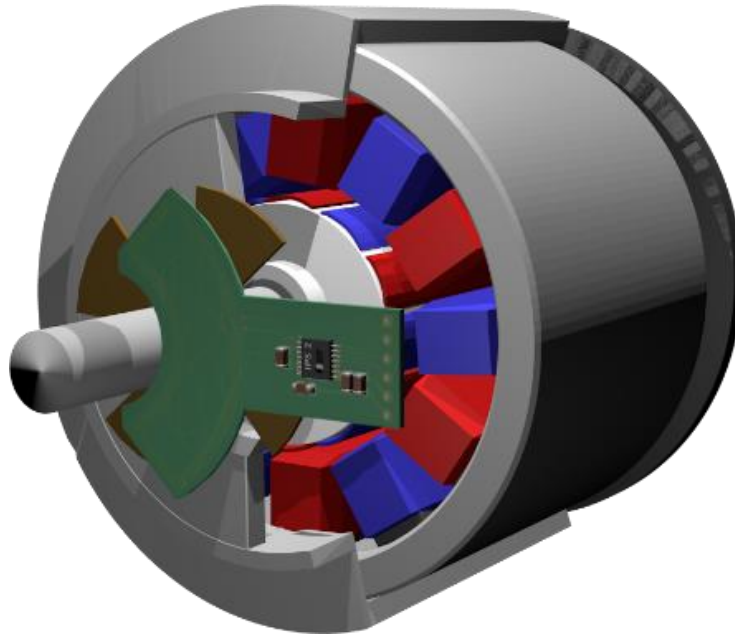


Figure 7. Example of an Easy Side-Shaft Plus Resolver 4.0

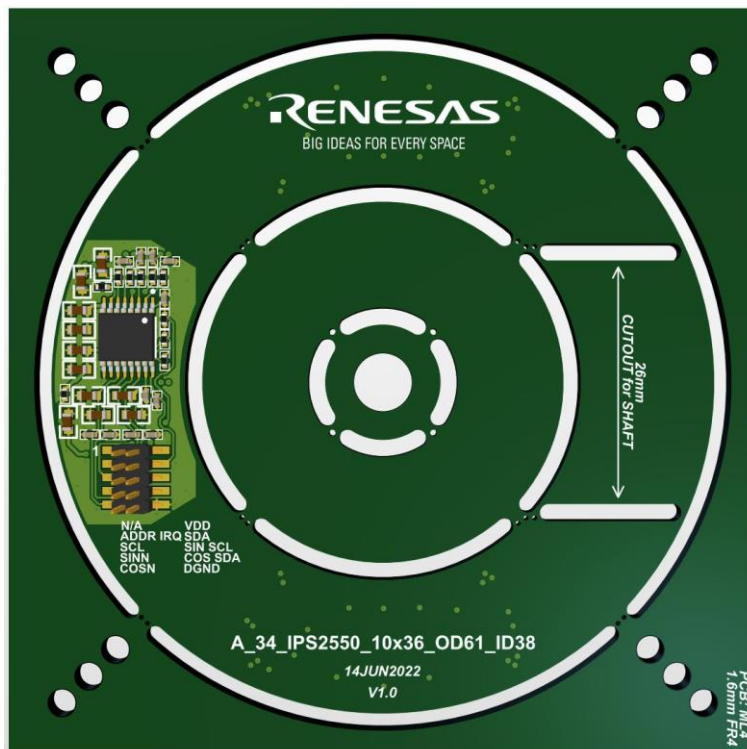


Figure 8. Example rendered Easy Side-Shaft Plus Resolver 4.0 – top view

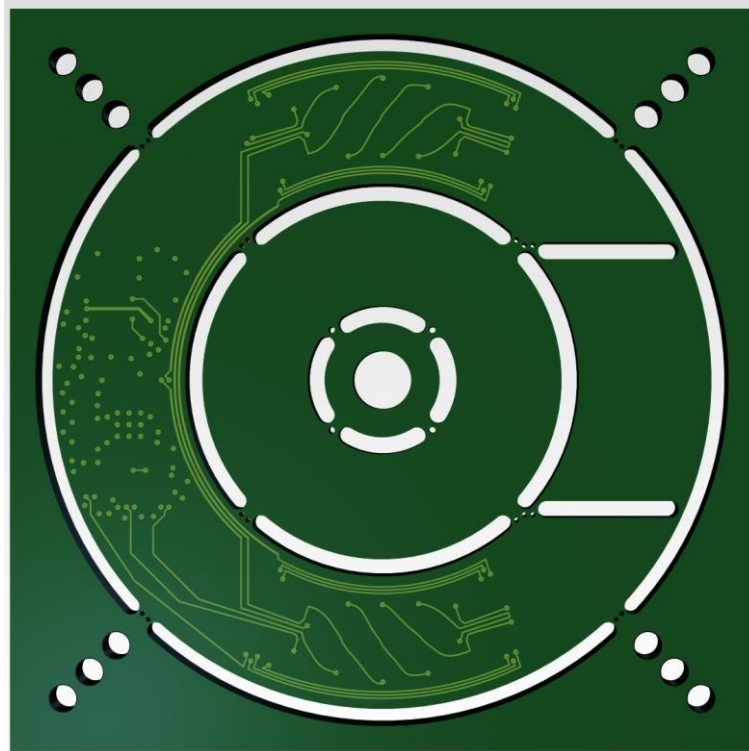


Figure 9. Example rendered Easy Side-Shaft Plus Resolver 4.0 – bottom view

Table 4. Easy Side-Shaft Plus Resolver 4.0 Characteristics^[c]

Ref. Design ID	Single / Redundant	Number of Pole Pairs	PCB Size D _{out} / D _{in} ^[a] [mm]	Coil Size D _{out} / D _{in} [mm]	Target Size D _{out} / D _{in} [mm]	Air Gap (Nominal) [mm]	Accuracy ^[b] (Nominal) [deg. mech.] / [deg. el.]	Links
A_29_V10	Single	4	62 / 37	60 / 43	60 / 42	2	±0.239 ±0.956	PCB Documentation Measurement Report Gerber Files
A_30_V10	Single	5	62 / 37	60 / 39	60 / 38	2	±0.102 ±0.512	PCB Documentation Measurement Report Gerber Files
A_31_V10	Single	6	62 / 37	60 / 39	60 / 38	2	±0.106 ±0.634	PCB Documentation Measurement Report Gerber Files
A_32_V10	Single	7	62 / 37	60 / 39	60 / 38	2	±0.071 ±0.494	PCB Documentation Measurement Report Gerber Files
A_33_V10	Single	8	62 / 37	60 / 39	60 / 38	2	±0.079 ±0.632	PCB Documentation Measurement Report Gerber Files
A_34_V10	Single	10	62 / 37	60 / 39	60 / 38	2	±0.064 ±0.635	PCB Documentation Measurement Report Gerber Files

Resolver 4.0 Catalog

Ref. Design ID	Single / Redundant	Number of Pole Pairs	PCB Size D _{out} / D _{in} ^[a] [mm]	Coil Size D _{out} / D _{in} [mm]	Target Size D _{out} / D _{in} [mm]	Air Gap (Nominal) [mm]	Accuracy ^[b] (Nominal) [deg. mech.] / [deg. el.]	Links
A_35_V10	Single	12	62 / 37	60 / 39	60 / 38	2	±0.040 ±0.479	PCB Documentation Measurement Report Gerber Files
A_36_V10	Single	4	97 / 72	96 / 73	96 / 73	2	±0.164 ±0.657	PCB Documentation Measurement Report Gerber Files
A_37_V10	Single	10	97 / 72	96 / 73	96 / 73	2	±0.042 ±0.423	PCB Documentation Measurement Report Gerber Files
A_38_V10	Single	12	97 / 72	96 / 73	96 / 73	2	±0.039 ±0.463	PCB Documentation Measurement Report Gerber Files
A_39_V10	Single	10	128 / 103	127 / 104	128 / 104	2	±0.048 ±0.476	PCB Documentation Measurement Report Gerber Files
A_40_V10	Single	12	128 / 103	127 / 104	128 / 104	2	±0.045 ±0.537	PCB Documentation Measurement Report Gerber Files

[a] D_{out} refers to the outer diameter, and D_{in} refers to the inner diameter.

[b] The typical accuracy is obtained as the maximum of the absolute full-scale error at the nominal air gap.

[c] Measured with IPS2550 which is compatible with IPS2200 by crossing out pins 3 and 4 in the schematic and layout designs or by changing the registers to IPS2200 mode in the IPS ComBoard GUI.

Revision History

Rev.	Date	Description
1.0	Mar.25.20	Initial version.
1.1	June.24.20	Minor fix
2.0	Feb.23.21	New designs added
3.0	Aug 22	Changed name, added Backward Resolver 4.0 designs, Easy Side-Shaft Resolvers 4.0 designs, Easy Side-Shaft Plus Resolvers

RENESAS LICENSE TERMS AND CONDITIONS FOR

INDUCTIVE POSITION SENSOR REFERENCE DESIGN

READ THE TERMS AND CONDITIONS OF THIS LICENSE AGREEMENT CAREFULLY BEFORE USING THE DESIGN DATA AND ACCOMPANYING DOCUMENTATION AND COLLATERAL PROVIDED TO YOU HEREWITH (the "RENESAS REFERENCE DESIGN"). BY USING THE RENESAS REFERENCE DESIGN, YOU ARE ACCEPTING AND AGREEING TO THE TERMS OF THIS LICENSE AGREEMENT.

License Grants. Subject to the terms and conditions set forth in this Agreement, RENESAS hereby grants to You, "Licensee", free of charge, a royalty free, non-exclusive, worldwide license for the term of this Agreement, to: 1) download, execute and use the RENESAS Reference Design; 2) to make or have-made by a third-party board sub-assemblies based on the RENESAS Reference Design ("Boards"); and 3) to promote, sell or distribute products containing Boards.

The RENESAS Reference Design may only be used with and in Boards that utilize RENESAS's inductive position sensor integrated circuit products, and any use with substitute integrated circuit products from another company is a material breach of this License. Licensee has no right to sublicense or otherwise distribute the RENESAS Reference Design standalone or in any form or manner, other than that which is specified herein.

Reservation. This Agreement grants Licensee a license to the RENESAS Reference Design only, and only such rights as are specifically enumerated herein. No other right, title or interest in the RENESAS Reference Design or any related intellectual property rights owned by RENESAS or its licensors is conveyed herein to Licensee. All proprietary notices incorporated in, marked on or fixed to elements of the RENESAS Reference Design, for example but not limited to copyright and trademark notices on documentation and collateral, of RENESAS or its third party suppliers shall be preserved and duplicated by Licensee on all copies and derivatives.

Limited Warranty. THE RENESAS REFERENCE DESIGN CONTAINED HEREIN IS PROVIDED "AS IS" WITH ALL FAULTS. THERE ARE NO WARRANTIES OF ANY KIND, WHETHER EXPRESS OR IMPLIED, INCLUDING (WITHOUT LIMITATION) ANY WARRANTIES OF MERCHANTABILITY, FITNESS FOR A PARTICULAR PURPOSE OR NON-INFRINGEMENT. WITHOUT LIMITING THE GENERALITY OF THE FOREGOING, RENESAS MAKES NO WARRANTY OR REPRESENTATION THAT THE FUNCTIONS CONTAINED IN THE RENESAS REFERENCE DESIGN WILL MEET LICENSEE'S REQUIREMENTS, THAT THE OPERATION OF THE RENESAS REFERENCE DESIGN WILL BE UNINTERRUPTED OR ERROR-FREE, THAT DEFECTS IN THE RENESAS REFERENCE DESIGN WILL BE CORRECTED, NOR WITH RESPECT TO THE CORRECTNESS, ACCURACY, OR RELIABILITY OF THE RENESAS REFERENCE DESIGN AND RELATED DOCUMENTATION. RENESAS DISCLAIMS ANY AND ALL EXPRESS OR IMPLIED WARRANTIES OF ANY KIND, AND LICENSEE EXPRESSLY ASSUMES ALL LIABILITIES AND RISKS, FOR ANYONE'S USE OR OPERATION OF ANY APPLICATION PROGRAMS LICENSEE MAY CREATE WITH THE RENESAS REFERENCE DESIGN. LICENSEE ACKNOWLEDGES AND AGREES THAT THE RENESAS REFERENCE DESIGN HAS NOT BEEN DESIGNED, TESTED, OR MANUFACTURED FOR USE IN DEVELOPING APPLICATIONS WHERE THE FAILURE, MALFUNCTION, OR ANY INACCURACY OF THE APPLICATION CARRIES A RISK OF DEATH, SERIOUS BODILY INJURY, OR DAMAGE TO TANGIBLE PROPERTY, INCLUDING, BUT NOT LIMITED TO, USE IN FACTORY CONTROL SYSTEMS, MEDICAL DEVICES OR FACILITIES, NUCLEAR FACILITIES, AIRCRAFT OR AUTOMOBILE NAVIGATION OR COMMUNICATION, EMERGENCY SYSTEMS, OR OTHER APPLICATIONS WITH A SIMILAR DEGREE OF POTENTIAL HAZARD AND RENESAS SHALL HAVE NO LIABILITY FOR SUCH USE.

Title. Title to the RENESAS Reference Design and any derivatives thereto, including all know how and all proprietary rights, shall at all times remain with RENESAS and if applicable its third party suppliers. Licensee has no ownership of the RENESAS Reference Design or any derivatives or modifications thereof.

Term. This Agreement is effective upon Licensee's downloading of the RENESAS Reference Design from RENESAS's server, or using the RENESAS Reference Design if otherwise obtained from RENESAS or an authorized RENESAS distribution partner, and shall continue until terminated. Licensee may terminate this Agreement at any time by returning the RENESAS Reference Design and all copies thereof and extracts therefrom to RENESAS and fully deleting the RENESAS Reference Design from Licensee's system. RENESAS may terminate this Agreement upon the breach by Licensee of any term herein. Upon such termination by RENESAS, Licensee agrees to return to RENESAS the RENESAS Reference Design and all copies and portions thereof. Notwithstanding termination pursuant to this section, RENESAS shall honor such bona fide third-party licenses as have been granted in accordance with this Agreement (i.e., distribution by Licensee of product based on or derived from the RENESAS Reference Design, using RENESAS inductive position sensing integrated circuits) prior to its termination and subject to the terms contained herein.

Export Controls. Before exporting or re-exporting any RENESAS Reference Design, Licensee shall: (a) fully comply with all U.S. and other applicable export control laws and regulations, and (b) take reasonable precautions, including seeking the advice of foreign legal counsel where necessary, to protect the proprietary rights of RENESAS and its suppliers in each foreign country in which the RENESAS Reference Design is to be used.

Limitation of Liability. THE LIABILITY OF RENESAS AND ITS SUPPLIERS SHALL IN NO EVENT EXCEED THE FEE RECEIVED FROM LICENSEE FOR THE RENESAS PRODUCT AT ISSUE, OR IF NONE, THEN ONE HUNDRED U.S. DOLLARS. IN NO EVENT SHALL RENESAS OR ITS SUPPLIERS BE LIABLE FOR ANY SPECIAL, INCIDENTAL, INDIRECT, CONSEQUENTIAL OR EXEMPLARY DAMAGES OF ANY KIND, INCLUDING LOST PROFITS, HOWEVER CAUSED OR ON ANY THEORY OF LIABILITY, WHETHER CONTRACT, STRICT LIABILITY OR TORT, ARISING IN ANY WAY OUT OF THIS LICENSE, EVEN IF RENESAS HAS BEEN ADVISED OF THE POSSIBILITY OF SUCH DAMAGE AND NOTWITHSTANDING THE FAILURE OF ESSENTIAL PURPOSE OF ANY REMEDY.

Governing Law. This license is made in and shall be governed by the laws of the State of California, excluding its conflict of laws rules. Jurisdiction and venue for all claims or disputes arising under this Agreement shall be in either the Superior Courts for the State of California for Santa Clara County, or the United States District Court for the Northern District of California, San Jose Division.

Assignment. Licensee shall not assign or transfer this Agreement nor any right or license hereunder without the prior written consent of RENESAS, and any assignment permitted shall be subject to the written agreement of the assignee to assume all the terms and obligations of this Agreement. RENESAS may freely assign this Agreement. Any other attempt to assign in contravention to this provision will be null and void.

Equitable Relief. Notwithstanding anything to the contrary herein, the parties agree that, if Licensee is in breach of this Agreement, then RENESAS will suffer immediate, irreparable harm for which recovery of monetary damages will be inadequate and that RENESAS may therefore enforce this agreement by seeking injunctive or other equitable remedies in any court of competent jurisdiction worldwide, without the necessity of showing actual damages to the extent allowed by applicable law, in addition to any available legal remedies.

Severability. If any provision of this License shall be declared void or unenforceable by any court of competent jurisdiction, such declaration shall have no effect on the remaining terms hereof.