

## High Performance Step-Down DC/DC Controller with High-Resolution True DC Dimming for LED Lighting up to 78V

### 1 Description

The iW380 is a DC/DC step-down controller with tight current regulation and exceptional dimming performance for LED lighting. It is designed to be used in the high-side switching buck topology up to 78V input voltage and up to 98% of output voltage/input voltage ratio. With its advanced digital control, the iW380 offers Renesas' True DC Dimming from 100% down to 0.0625% with 0.0625% resolution and guaranteed linearity.

The iW380 features unique dual-dimming pins that significantly simplify application designs where multi-level maximum current settings are needed. The maximum LED current can be programmed through one dimming pin via the analog voltage level or an adjustable resistor. The other dimming port can be used for auto-detectable 3-in-1 dimming: analog voltage, PWM duty or resistor dimming. Internally, the iW380 processes the dimming inputs and regulates the output current percentage by  $DIM1\% \times DIM2\%$ .

A dedicated light-off mode in the iW380 turns off the output current when the dimming signal input is less than the light-off threshold. In the light-off mode, the iW380 consumes minimum power while still monitoring the dimming inputs. If the dimming signal input becomes higher than the light-on threshold, the iW380 can immediately wake up and resume output current regulation.

The iW380 provides flexibility to optimize dimming resolution and dimming signal noise immunity. When a noisy analog dimming level or jittering PWM dimming duty is supplied to the iW380, the iW380 can keep the output current stable with some tradeoff to dimming resolution by configuration. Also, the iW380 has configurable minimum startup voltage. This feature can effectively prevent light flicker/flash at power off across different applications.

### 2 Features

- Input DC voltage range: 22V ~ 78V
- Output/input voltage ratio: up to 98%
- Output power up to 150W
- Multiple operating mode product options:
  - Constant-current (CC) mode
  - Constant-voltage/constant-current (CV/CC) mode
  - Constant-power/constant-current (CP/CC) mode
- True DC dimming
  - Max dimming range: 0.0625% ~ 100%
  - Highest dimming resolution: 0.0625%
- CC line and load regulation  $< \pm 3\%$
- CV line and load regulation  $< \pm 3\%$
- Light-off current consumption  $< 1\text{mA}$
- Over temperature current de-rating
- 3-in-1 dimming on both dimming ports
  - RSET resistor
  - PWM Dimming
  - Analog voltage
- Auto dimming signal types detection
- Configurable dimming signal hysteresis
- Configurable startup voltage
- Rich protections:
  - Output over voltage (OVP)
  - Output short circuit (OSP)
  - $V_{VIN}$  over/under voltage
  - Over current protection (OCP)
  - Sense resistor short protection
  - Over temperature protection (OTP)

### 3 Applications

- Two-stage AC/DC general LED lighting drivers
- Two-stage AC/DC LED light strip drivers
- DC/DC general LED lighting drivers

High Performance Step-Down DC/DC Controller with High-Resolution True DC Dimming for LED Lighting up to 78V

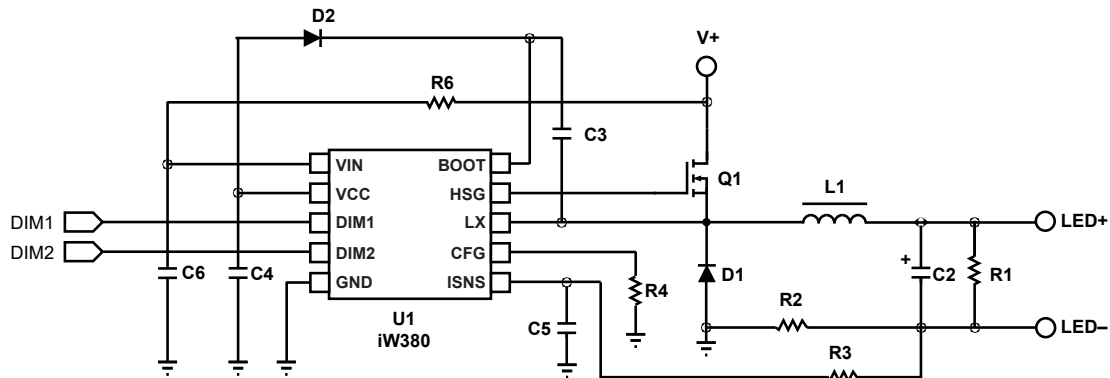


Figure 3.1 : iW380 Typical Application Circuit for CC only and CP/CC variants

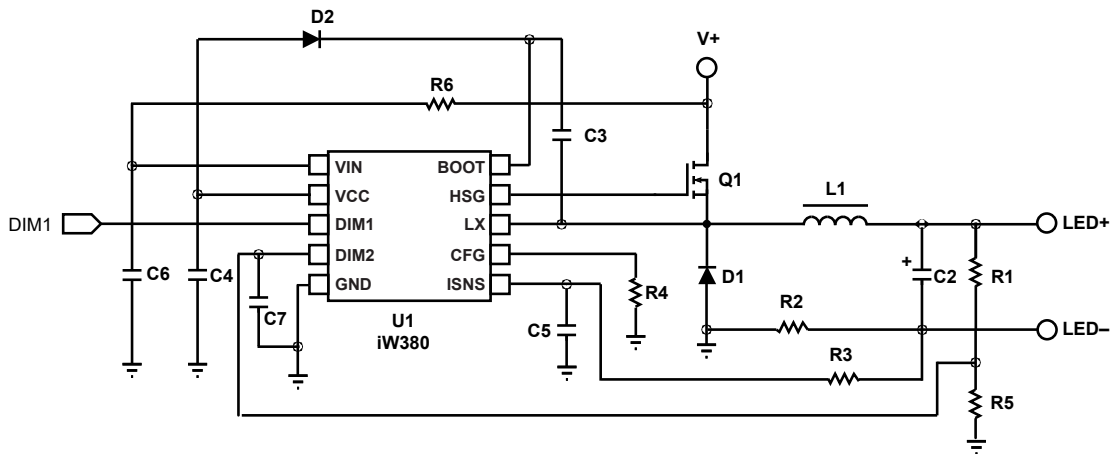


Figure 3.2 : iW380 Typical Application Circuit for CV/CC variants

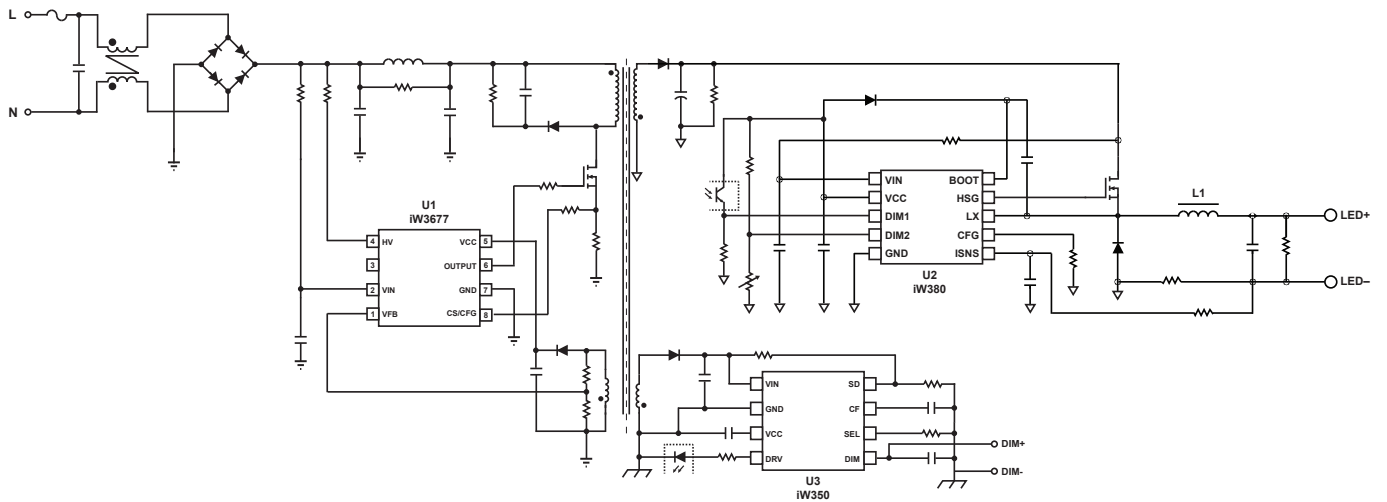


Figure 3.3 : iW380 Dimmable LED Driver Application with iW3677 Front-End Power Factor Correction Flyback and iW350 Interface IC

## High Performance Step-Down DC/DC Controller with High-Resolution True DC Dimming for LED Lighting up to 78V

### 4 Pinout Description

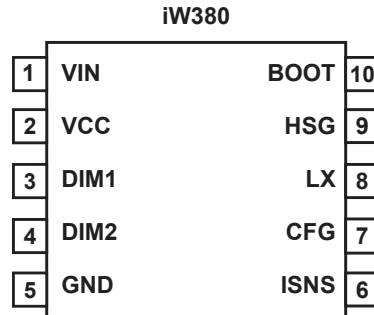


Figure 4.1 : 10-Lead SOIC Package

Pin Number	Pin Name	Type	Pin Description
1	VIN	Power	Power source and input voltage sensing
2	VCC	Power	IC power supply
3	DIM1	Analog Input	Dimming signal input port 1
4	DIM2	Analog Input	Dimming signal input port 2
5	GND	Ground	Ground reference
6	ISNS	Analog Input	Buck inductor current sensing
7	CFG	Analog Input	Configuration input
8	LX	Analog Input	Buck switching node, high-side power MOSFET source
9	HSG	Analog Output	High-side power MOSFET gate drive
10	BOOT	Power	Bootstrap high-side driver power supply

## High Performance Step-Down DC/DC Controller with High-Resolution True DC Dimming for LED Lighting up to 78V

### 5 Absolute Maximum Ratings

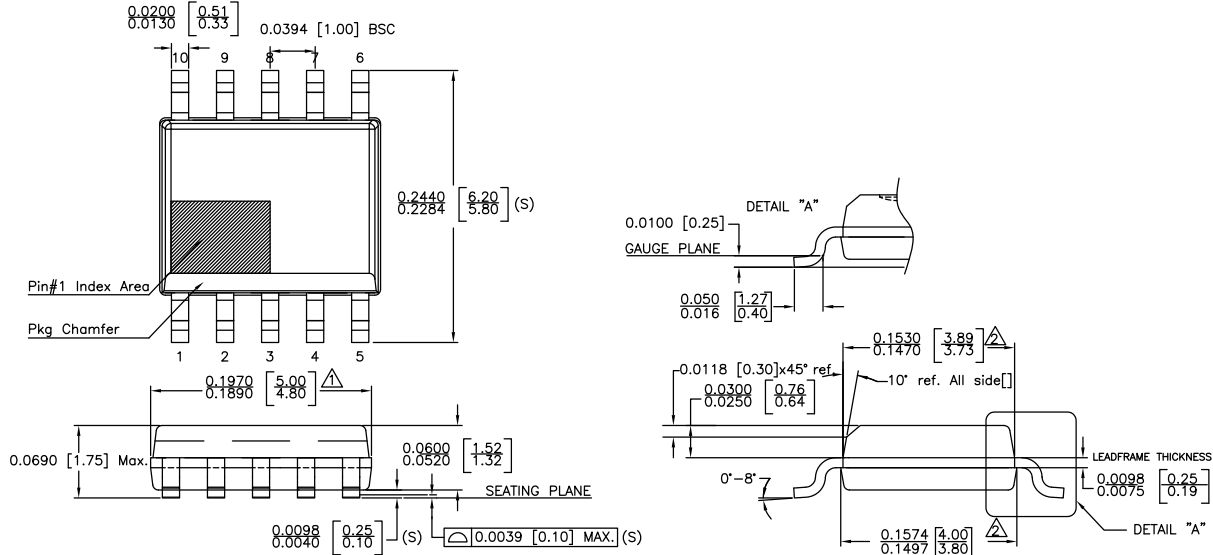
Absolute maximum ratings are the parameter values or ranges which can cause permanent damage if exceeded.

Parameter	Symbol	Value	Units
DC supply voltage range	$V_{VCC}$	-0.3 to 6.5	V
Continuous DC supply at VCC pin	$I_{VCC}$	20	mA
VIN pin		-0.3 to 82	V
DIM1 and DIM2 pin		-0.3 to 6.5	V
ISNS pin		-0.3 to 6.5	V
CFG pin		-0.3 to 6.5	V
LX pin		-0.7 to 82	V
HSG pin (Note 1)		-0.3 to 87	V
BOOT pin (Note 1)		-0.3 to 87	V
Maximum junction temperature	$T_{JMAX}$	150	°C
Operating junction temperature	$T_{JOPT}$	-40 to 150	°C
Storage temperature	$T_{STG}$	-65 to 150	°C
Thermal resistance junction to ambient	$\theta_{JA}$	209	°C/W
ESD rating per JEDEC JS-001-2017		±2000	V
Latch-up test per JESD78E		±100	mA

**Note 1.** BOOT pin and HSG pin respect to LX pin < 5.5V.

# High Performance Step-Down DC/DC Controller with High-Resolution True DC Dimming for LED Lighting up to 78V

## 6 Physical Dimensions



**NOTE :**

- △ DOES NOT INCLUDE MOLD FLASH, PROTRUSIONS OR GATE BURRS. MOLD FLASH, PROTRUSIONS AND GATE BURRS SHALL NOT EXCEED .006 INCH PER SIDE.
- △ DOES NOT INCLUDE INTER-LEAD FLASH OR PROTRUSIONS. INTER-LEAD FLASH AND PROTRUSIONS SHALL NOT EXCEED .010 INCH PER SIDE.
- 3. PACKAGE DIMENSION CONFORM TO JEDEC SPECIFICATION MS-012 EXCEPT LEAD PITCH.
- 4. LEAD SPAN/STAND OFF HEIGHT/COPLANARITY ARE CONSIDERED AS SPECIAL CHARACTERISTIC.(S)
- 5. CONTROLLING DIMENSIONS IN INCHES.[mm]
- 6. PHYSICAL APPEARANCE OF PACKAGE (E-PIN, DIMPLE, CHAMFER) MAY VARY DUE TO ASSEMBLY TOOLINGS

STATUS:	RELEASED
TERMINAL FINISH:	PPF or 100% Sn
TITLE:	SOP 10L 150MIL PACKAGE OUTLINE
REV:	REVISION NOTE: C STANDARDIZED POD

Figure 6.1 : 10-Lead SOIC Package Outline Drawing

## 7 Ordering Information

Part Number	Status	Options	Package	Description
iW380-00	Active	CC only	SOIC-10	Tape & Reel <sup>1</sup>
iW380-00B	Recommended for New Designs	CC only	SOIC-10	Tape & Reel <sup>1</sup>
iW380-01	Active	CC only, 0.125% lowest dimming startup threshold	SOIC-10	Tape & Reel <sup>1</sup>
iW380-01B	Recommended for New Designs	CC only, 0.125% lowest dimming startup threshold	SOIC-10	Tape & Reel <sup>1</sup>
iW380-02	Active	CC only, 0.125% lowest dimming startup threshold, OTP de-rating disabled	SOIC-10	Tape & Reel <sup>1</sup>
iW380-02B	Recommended for New Designs	CC only, 0.125% lowest dimming startup threshold, OTP de-rating disabled	SOIC-10	Tape & Reel <sup>1</sup>
iW380-12B	Recommended for New Designs	CC only, 0.125% lowest dimming startup threshold, OTP de-rating disabled, extra 100ms start up delay	SOIC-10	Tape & Reel <sup>1</sup>
iW380-20	Active	CV/CC variant, DIM2 as feedback	SOIC-10	Tape & Reel <sup>1</sup>
iW380-20B	Recommended for New Designs	CV/CC variant, DIM2 as feedback	SOIC-10	Tape & Reel <sup>1</sup>
iW380-31B	Recommended for New Designs	CP/CC variant, CP constant = 70%	SOIC-10	Tape & Reel <sup>1</sup>
iW380-32B	Recommended for New Designs	CP/CC variant, CP constant = 80%	SOIC-10	Tape & Reel <sup>1</sup>

Note 1. Tape and reel packing quantity is 2,500/reel. Minimum packing quantity is 2,500.

## High Performance Step-Down DC/DC Controller with High-Resolution True DC Dimming for LED Lighting up to 78V

### IMPORTANT NOTICE AND DISCLAIMER

RENEASAS ELECTRONICS CORPORATION AND ITS SUBSIDIARIES (“RENEASAS”) PROVIDES TECHNICAL SPECIFICATIONS AND RELIABILITY DATA (INCLUDING DATASHEETS), DESIGN RESOURCES (INCLUDING REFERENCE DESIGNS), APPLICATION OR OTHER DESIGN ADVICE, WEB TOOLS, SAFETY INFORMATION, AND OTHER RESOURCES “AS IS” AND WITH ALL FAULTS, AND DISCLAIMS ALL WARRANTIES, EXPRESS OR IMPLIED, INCLUDING, WITHOUT LIMITATION, ANY IMPLIED WARRANTIES OF MERCHANTABILITY, FITNESS FOR A PARTICULAR PURPOSE, OR NON-INFRINGEMENT OF THIRD PARTY INTELLECTUAL PROPERTY RIGHTS.

These resources are intended for developers who are designing with Renesas products. You are solely responsible for (1) selecting the appropriate products for your application, (2) designing, validating, and testing your application, and (3) ensuring your application meets applicable standards, and any other safety, security, or other requirements. These resources are subject to change without notice. Renesas grants you permission to use these resources only to develop an application that uses Renesas products. Other reproduction or use of these resources is strictly prohibited. No license is granted to any other Renesas intellectual property or to any third-party intellectual property. Renesas disclaims responsibility for, and you will fully indemnify Renesas and its representatives against, any claims, damages, costs, losses, or liabilities arising from your use of these resources. Renesas' products are provided only subject to Renesas' Terms and Conditions of Sale or other applicable terms agreed to in writing. No use of any Renesas resources expands or otherwise alters any applicable warranties or warranty disclaimers for these products. © 2024 Renesas Electronics Corporation. All rights reserved.

(Disclaimer Rev.1.01 Jan 2024)

### Corporate Headquarters

TOYOSU FORESIA, 3-2-24 Toyosu  
Koto-ku, Tokyo 135-0061, Japan  
[www.renesas.com](http://www.renesas.com)

### Contact Information

For further information on a product, technology, the most up-to-date version of a document, or your nearest sales office, please visit:  
[www.renesas.com/contact-us/](http://www.renesas.com/contact-us/)

### Trademarks

Renesas and the Renesas logo are trademarks of Renesas Electronics Corporation. All trademarks and registered trademarks are the property of their respective owners.