

AC/DC Secondary-Side Controller for Qualcomm® Quick Charge™ 3.0 USB Interface

1 Description

The iW636 is an AC/DC secondary-side controller for USB interface supporting Qualcomm Quick Charge 3.0 (QC3.0) technology and secondary-to-primary communication protocol, to enable rapid charging of QC3.0/QC2.0-enabled mobile devices (MDs). The iW636 resides on the secondary side of an AC/DC power supply and allows the adapter to be configured for multi-level output voltages from 3.6V to 12V in 200mV increments, depending on the voltage requested by the MD. It can be used in Dialog's primary-side controlled AC/DC systems to achieve fast voltage transition, low no-load power consumption, and fast dynamic load response.

The iW636 implements Dialog's proprietary secondary-to-primary digital communication technique. When paired with Dialog's primary-side iW1782 controller, the iW636 eliminates the discrete decoders on the primary side, simplifying system designs. It uses one opto-coupler to transmit all the necessary information for rapid charging, including output voltage requests, output current limits, output voltage undershoot, output over-voltage, and fault and reset signals. It also has a built-in opto-coupler LED driver to minimize the bill of material cost.

The iW636 and iW1782 provide double-layer cable protection. On the secondary side, the iW636 incorporates Dialog's proprietary D+/D- over-voltage protection to address V_{BUS} D+/D- soft shorts. On the primary side, the iW1782 uses Dialog's **SmartDefender™** advanced hiccup technology to reduce the average output power during soft shorts without latch.

Dialog's innovative, proprietary technology ensures that power supplies designed with the iW636 and iW1782 can provide multi-level output voltage configuration, with user-selected various output current limit combinations. Additionally, the chipset can achieve <10mW no-load power consumption at 5V, 2A output setting and fast dynamic load response in typical AC/DC rapid charge adapter designs.

2 Features

- Supports Qualcomm® Quick Charge™ 3.0 technology High Voltage Dedicated Charging Port (HVDCP) to provide V_{BUS} from 3.6V to 12V in 200mV increments
- Double-layer cable protection:
 - » Secondary side (iW636): Proprietary D+/D- over-voltage protection (OVP) addresses V_{BUS} D+/D- soft shorts
 - » Primary side (iW1782): **SmartDefender™** smart hiccup technology reduces average output power at fault conditions without latch
- Proprietary secondary-to-primary digital communication eliminates discrete decoders in the primary side and simplifies system designs
- Single opto-coupler transmits all information for rapid charge: output voltage requests, output current limits, output voltage undershoot (UV), over-voltage protection (OVP), and fault and reset signals
- Adaptive OVP/UV detection for most V_{BUS} levels
- Backward compatible with QC2.0 and USB Battery Charging Specification Revision 1.2 (USB BC1.2)
- Pin-to-pin compatible with iW626
- Programmable active fast discharge from a high voltage V_{BUS} level to 5V at MD unplug or upon request with built-in switch or external switch
- Normally OFF state with <150µA cut-off current during 5V steady-state operation to achieve <10mW overall system no-load power consumption
- Wide operating voltage range from 3V to 16V
- Built-in opto-coupler LED driver with minimum driving current of 2mA
- 6-lead SOT-23 package

3 Applications

- Rapid-charging AC/DC adapters for smart phones, tablets, and other portable devices



Qualcomm® Quick Charge™ 3.0 is a product of Qualcomm Technologies, Inc.

AC/DC Secondary-Side Controller for Qualcomm® Quick Charge™ 3.0 USB Interface

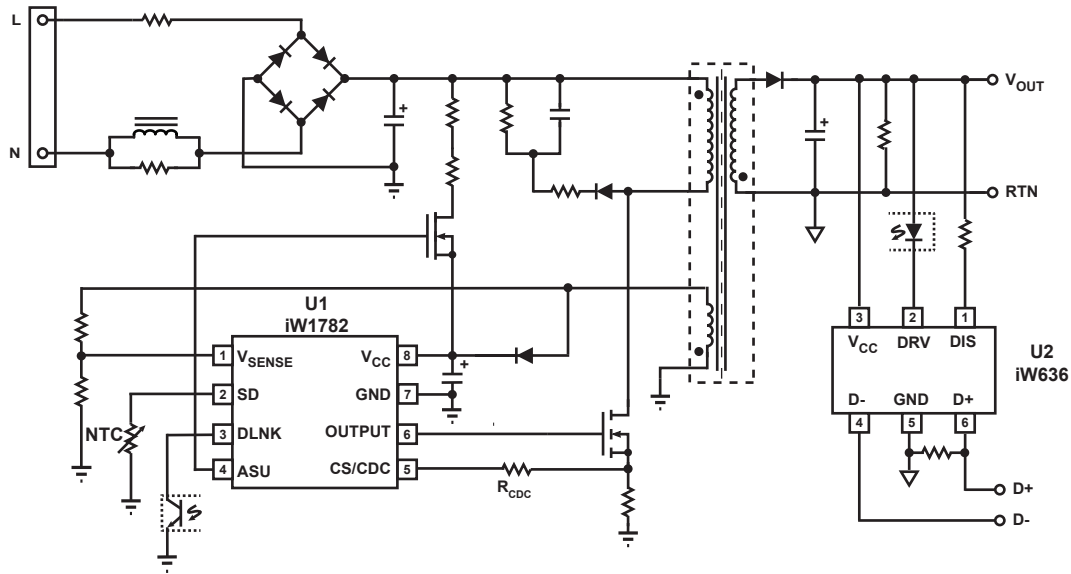


Figure 3.1 : iW636 Typical Application Circuit for Multi-Level Output Voltage and Current (Using iW1782 as Primary-Side Controller. Achieving <10mW No-Load Power Consumption in a Typical 15W Design)

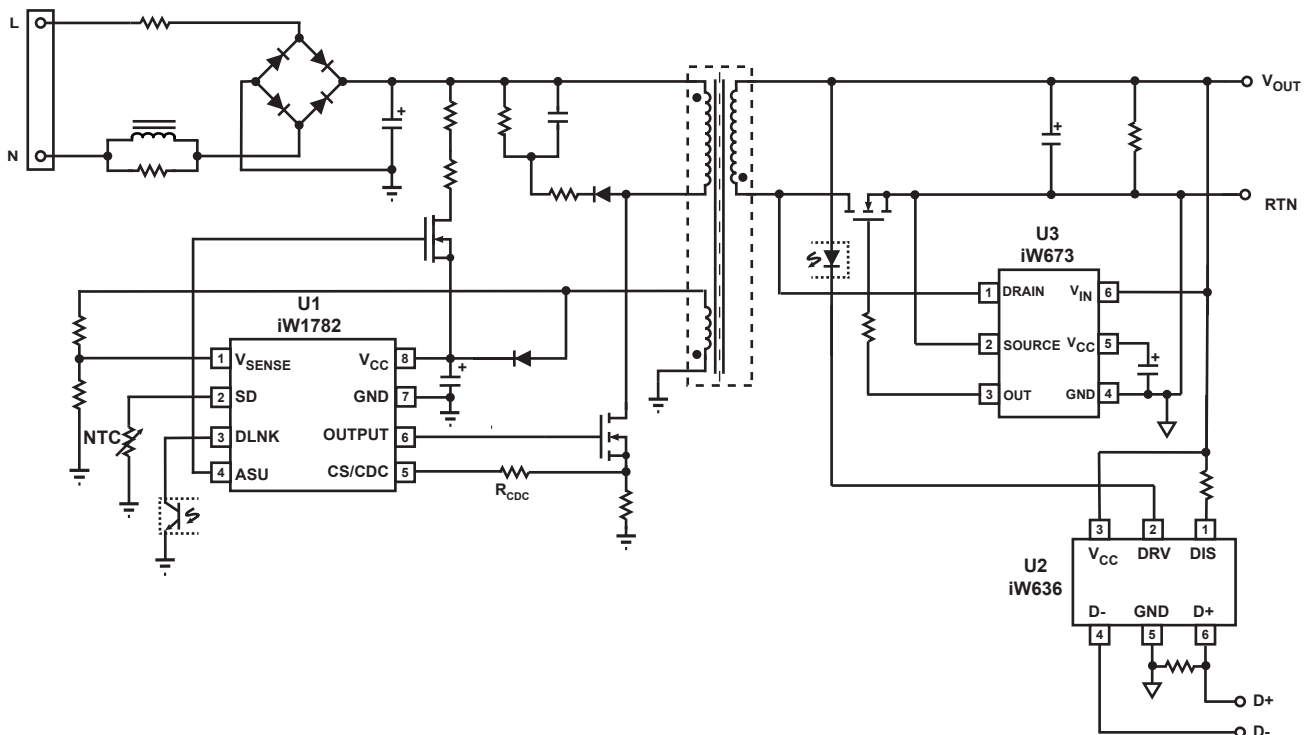


Figure 3.2 : iW636 Typical Application Circuit for Multi-Level Output Voltage and Current (Using iW1782 as Primary-Side Controller and iW673 as Synchronous Rectifier Controller. for Higher Efficiency Achieving < 20mW No-Load Power Consumption in a Typical 15W Design)

AC/DC Secondary-Side Controller for Qualcomm® Quick Charge™ 3.0 USB Interface

4 Pinout Description

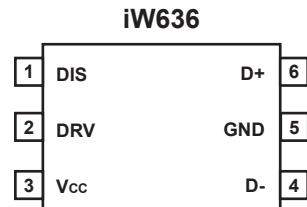


Figure 4.1 : 6-Lead SOT23 Package

Pin Number	Pin Name	Type	Pin Description
1	DIS	Analog Output	Discharging circuit. Used for fast discharging of output capacitor.
2	DRV	Analog Output	External circuit drive. Can be used for opto-coupler LED drive with automatic current limiting for transmitting signals to primary side.
3	V _{cc}	Power Supply	IC power supply.
4	D-	Analog Input/ Output	USB D- signal.
5	GND	Ground	Ground.
6	D+	Analog Input	USB D+ signal.

AC/DC Secondary-Side Controller for Qualcomm® Quick Charge™ 3.0 USB Interface

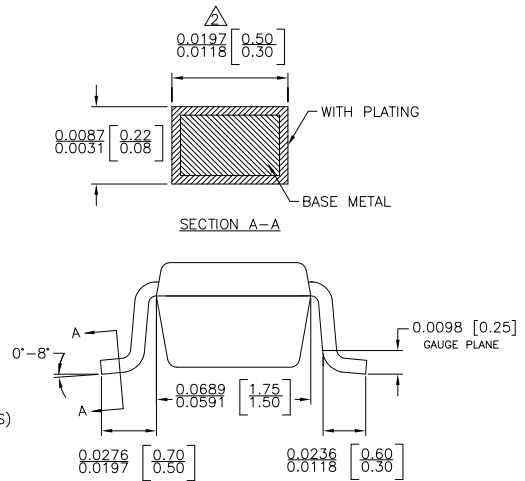
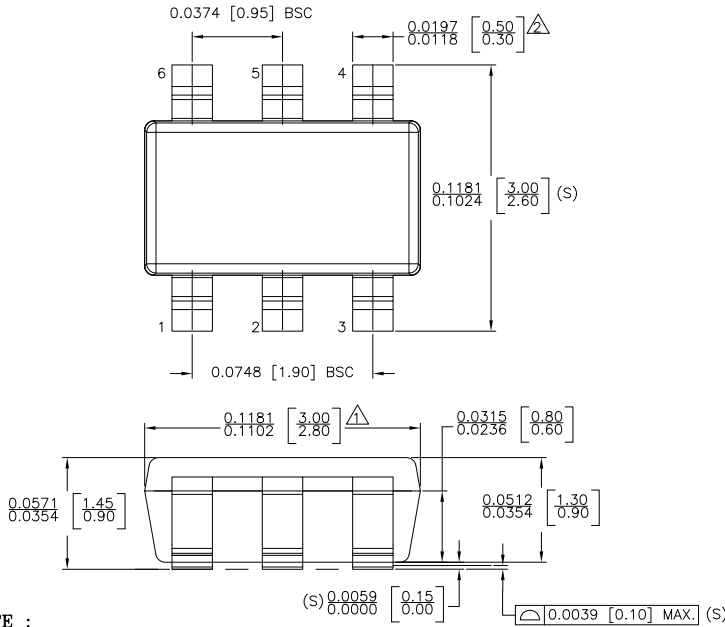
5 Absolute Maximum Ratings

Absolute maximum ratings are the parameter values or ranges which can cause permanent damage if exceeded.

Parameter	Symbol	Value	Units
DIS (pin 1) voltage	V_{DIS}	30	V
DRV (pin 2) voltage	V_{DRV}	30	V
V_{CC} (pin 3) voltage	V_{CC}	30	V
D- (pin 4) voltage	V_{D-}	-0.3 to 7	V
D+ (pin 6) voltage	V_{D+}	-0.3 to 7	V
Continuous DC current at DRV pin ($V_{DRV}= 11V$)	I_{DRV}	25	mA
Continuous DC supply current at V_{CC} pin ($V_{CC}= 12V$)	I_{VCC}	25	mA
Peak current at DIS pin ($V_{DIS}= 12V$)	I_{DIS}	600	mA
Maximum junction temperature	T_{JMAX}	150	°C
ESD rating per JEDEC JESD22-A114 (D+ and D- pins)		4,000	V
ESD rating per JEDEC JESD22-A114 (all other pins)		2,000	V

AC/DC Secondary-Side Controller for Qualcomm® Quick Charge™ 3.0 USB Interface

6 Physical Dimensions



NOTE :

- Δ DOES NOT INCLUDE MOLD FLASH, PROTRUSIONS OR GATE BURRS. MOLD FLASH, PROTRUSIONS AND GATE BURRS SHALL NOT EXCEED 0.127 MM PER SIDE.
- Δ DOES NOT INCLUDE INTER-LEAD FLASH OR PROTRUSIONS. INTER-LEAD FLASH AND PROTRUSIONS SHALL NOT EXCEED 0.127 MM PER SIDE.
- 3. DIE IS FACING UP FOR MOLD. DIE IS FACING DOWN FOR TRIM/FORM.
- 4. THIS PART IS COMPLIANT WITH EIAJ SPECIFICATION SC74A AND JEDEC SPECIFICATION MO-178AB.
- 5. LEAD SPAN/STAND OFF HEIGHT/COPLANARITY ARE CONSIDERED AS SPECIAL CHARACTERISTIC(S)
- 6. CONTROLLING DIMENSIONS IN INCHES. [mm]

STATUS: RELEASED		SCALE: DO NOT SCALE
TERMINAL FINISH: 100% Sn or NiPdAu (PPF)		
TITLE: 6 SOT23 PACKAGE OUTLINE		
REV: A	REVISION NOTE: NEW DRAWING	DATE: 02-MAR-2015

AC/DC Secondary-Side Controller for Qualcomm® Quick Charge™ 3.0 USB Interface

7 Ordering Information

Part Number	Options				Package	Description
	Supported Protocol	V _{BUS} Range	k _{CC}	OVP Threshold if Non-QC-Equipped MD is Attached		
iW636-00	QC3.0	3.6V to 12V	0.5 for V _{BUS} =3.6V to 6V; Determined by constant max power for 6.2V to 12V	N/A	SOT-23	Tape & Reel ¹
iW636-02	QC3.0	3.6V to 12V	0.5 for V _{BUS} =3.6V to 6.8V; Determined by constant max power for 7V to 12V	N/A	SOT-23	Tape & Reel ¹
iW636-04	QC3.0	3.6V to 12V	0.422 for V _{BUS} =3.6V to 9V; Determined by constant max power for 9.2V to 12V	N/A	SOT-23	Tape & Reel ¹
iW636-05	QC3.0	3.6V to 12V	0.422 for V _{BUS} =3.6V to 9V; Determined by constant max power for 9.2V to 12V	14.76V	SOT-23	Tape & Reel ¹
iW636-06	QC3.0	3.6V to 12V	0.422 for V _{BUS} =3.6V to 8V; Determined by constant max power for 8.2V to 12V	14.76V	SOT-23	Tape & Reel ¹
iW636-07	QC3.0	3.6V to 12V	0.5 for V _{BUS} =3.6V to 6V; Determined by constant max power for 6.2V to 12V	14.76V	SOT-23	Tape & Reel ¹
iW636-08	QC3.0	3.6V to 12V	0.5 for V _{BUS} =3.6V to 8V; Determined by constant max power for 8.2V to 12V	14.76V	SOT-23	Tape & Reel ¹
iW636-21	QC3.0	3.6V to 9V	0.422 for V _{BUS} =3.6V to 9V	11V	SOT-23	Tape & Reel ¹

Note 1: Tape & Reel packing quantity is 3,000/reel. Minimum packing quantity is 3,000.

AC/DC Secondary-Side Controller for Qualcomm® Quick Charge™ 3.0 USB Interface

IMPORTANT NOTICE AND DISCLAIMER

RENESAS ELECTRONICS CORPORATION AND ITS SUBSIDIARIES (“RENESAS”) PROVIDES TECHNICAL SPECIFICATIONS AND RELIABILITY DATA (INCLUDING DATASHEETS), DESIGN RESOURCES (INCLUDING REFERENCE DESIGNS), APPLICATION OR OTHER DESIGN ADVICE, WEB TOOLS, SAFETY INFORMATION, AND OTHER RESOURCES “AS IS” AND WITH ALL FAULTS, AND DISCLAIMS ALL WARRANTIES, EXPRESS OR IMPLIED, INCLUDING, WITHOUT LIMITATION, ANY IMPLIED WARRANTIES OF MERCHANTABILITY, FITNESS FOR A PARTICULAR PURPOSE, OR NON-INFRINGEMENT OF THIRD PARTY INTELLECTUAL PROPERTY RIGHTS.

These resources are intended for developers skilled in the art designing with Renesas products. You are solely responsible for (1) selecting the appropriate products for your application, (2) designing, validating, and testing your application, and (3) ensuring your application meets applicable standards, and any other safety, security, or other requirements. These resources are subject to change without notice. Renesas grants you permission to use these resources only for development of an application that uses Renesas products. Other reproduction or use of these resources is strictly prohibited. No license is granted to any other Renesas intellectual property or to any third party intellectual property. Renesas disclaims responsibility for, and you will fully indemnify Renesas and its representatives against, any claims, damages, costs, losses, or liabilities arising out of your use of these resources. Renesas’ products are provided only subject to Renesas’ Terms and Conditions of Sale or other applicable terms agreed to in writing. No use of any Renesas resources expands or otherwise alters any applicable warranties or warranty disclaimers for these products.

© 2022 Renesas Electronics Corporation. All rights reserved.

RoHS Compliance

Dialog Semiconductor’s suppliers certify that its products are in compliance with the requirements of Directive 2011/65/EU of the European Parliament on the restriction of the use of certain hazardous substances in electrical and electronic equipment. RoHS certificates from our suppliers are available on request.

(Rev.1.0 Mar 2020)

Corporate Headquarters

TOYOSU FORESIA, 3-2-24 Toyosu
Koto-ku, Tokyo 135-0061, Japan
www.renesas.com

Contact Information

For further information on a product, technology, the most up-to-date version of a document, or your nearest sales office, please visit:
www.renesas.com/contact/

Trademarks

Renesas and the Renesas logo are trademarks of Renesas Electronics Corporation. All trademarks and registered trademarks are the property of their respective owners.