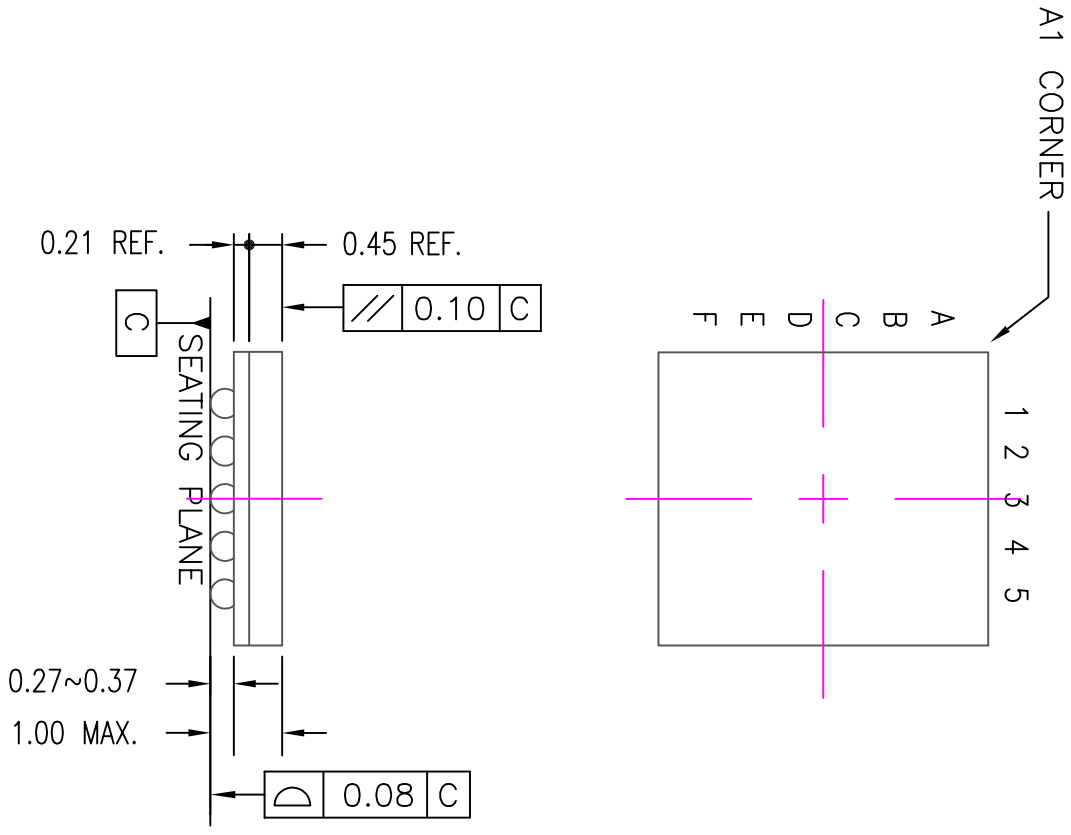
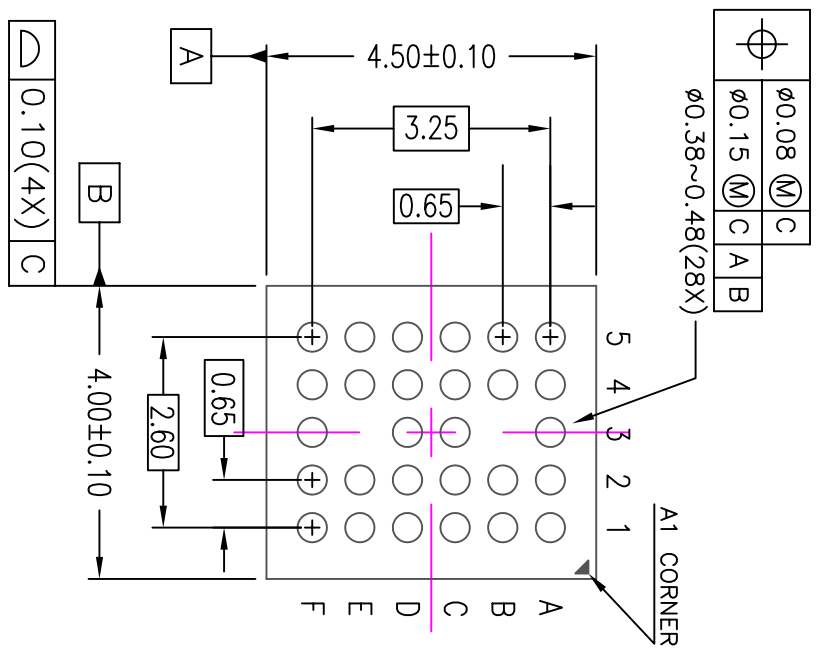


REVISIONS			
REV	DESCRIPTION	DATE	APPROVED
00	INITIAL RELEASE	1/15/13	RC
01	COMBINE POD & LAND PATTERN	5/15/13	RC

TOP VIEW



BOTTOM VIEW



Ball Pitch :	0.65	Substrate Thickness :	0.21
Ball Diameter :	0.40	Mold Thickness :	0.45

TOLERANCES UNLESS SPECIFIED
 DECIMAL ±
 ANGULAR ±

APPROVALS DATE DATE
 DRAWN 01/15/13
 CHECKED

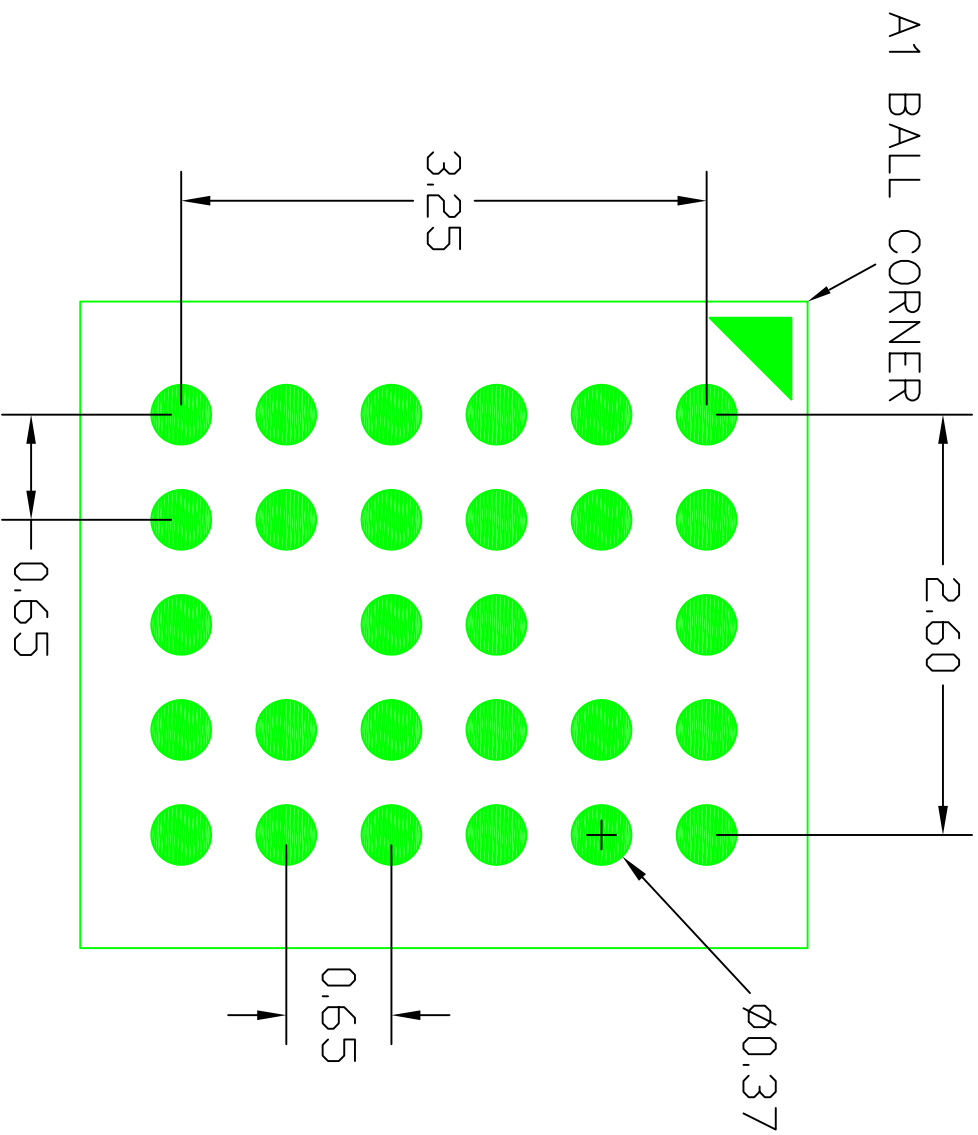
SIZE DRAWING No. PSC-4156 REV 01

DO NOT SCALE DRAWING SHEET 1 OF 2


IDT 6024 Silver Creek Valley Road
 San Jose, CA 95138
 PHONE: (408) 284-8200
 FAX: (408) 284-8591
 WWW.IDT.COM

TITLE AD/ADG28 PACKAGE OUTLINE
 DRAWN 4.0 x 4.5 mm BODY
 0.65 mm PITCH CABGA

REVISIONS			
REV	DESCRIPTION	DATE	APPROVED
00	INITIAL RELEASE	2/1/13	RC
01	COMBINE POD & LAND PATTERN	5/15/13	RC



RECOMMENDED LAND PATTERN

TOLERANCES UNLESS SPECIFIED		6024 Silver Creek Valley Road San Jose, CA 95138 PHONE: (408) 294-8200	
DECIMAL	ANGULAR	 IDT www.IDT.com FAX: (408) 294-8591	
XXX±	±		
APPROVALS	DATE	SIZE	DRAWING No.
DRAWN RAL/2/1/13		C	PSC-4156
CHECKED			
TITLE AD/ADG28 PACKAGE OUTLINE		REV	01
4.0 x 4.5 mm BODY		DO NOT SCALE DRAWING	
0.65 mm PITCH CABGA		SHEET 2 OF 2	