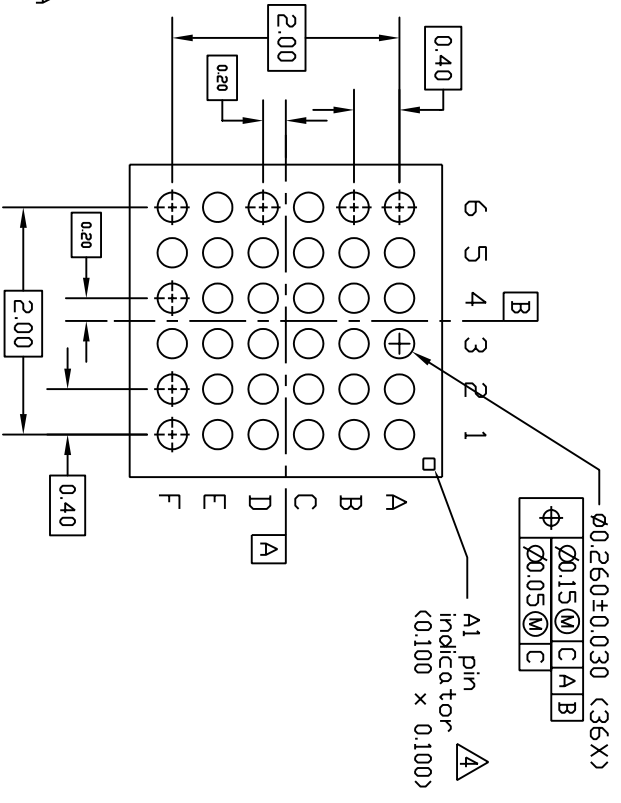
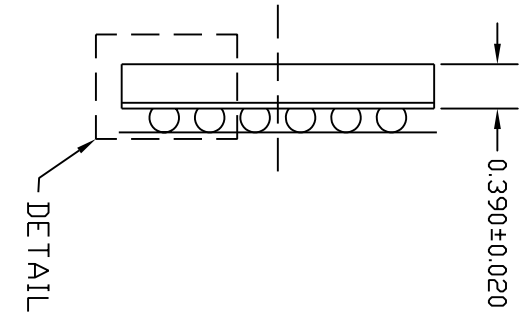
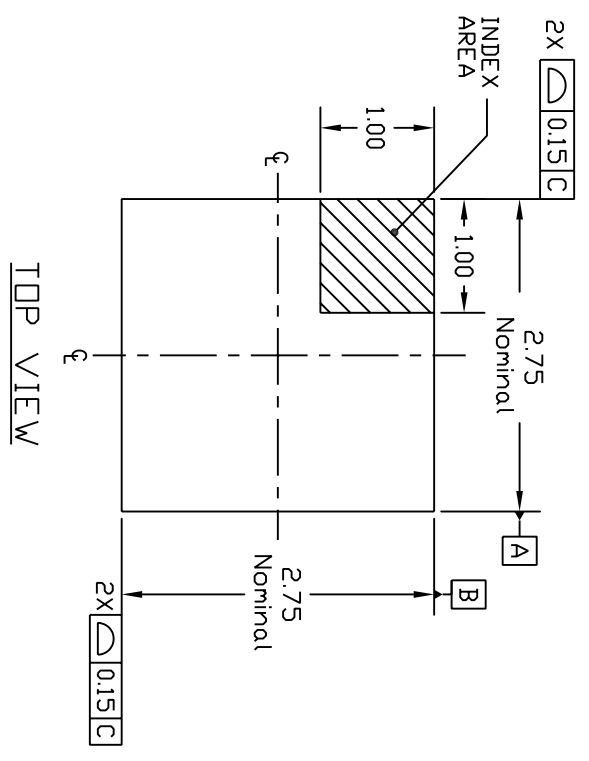


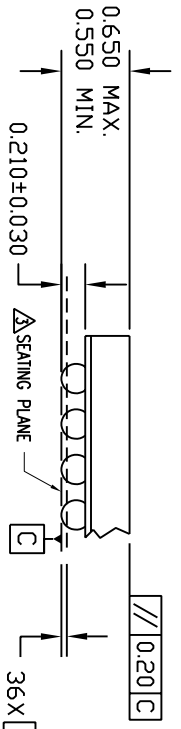
NOTES:

1. ALL DIMENSIONS AND TOLERANCES ARE PER ASME Y14.5M-1994.
 2. ALL DIMENSIONS ARE IN MILLIMETERS.
- ▲ SEATING PLANE AND PRIMARY DATUM -C- ARE DEFINED BY THE CONTACT POINTS OF THREE OR MORE SOLDER BALLS THAT SUPPORT THE DEVICE WHEN PLACED ON A TOP OF A PLANAR SURFACE.
- ▲ BOTTOM PIN#1 INDICATOR OPTIONAL.

DCN		REV		DESCRIPTION	DATE	APPROVED
		00		INITIAL RELEASE	02/04/11	MJR



DETAIL A
(ROTATED 90 DEG CW)



TOLERANCES UNLESS SPECIFIED

DECIMAL	± 0.05
ANGULAR	±
DRAWN	MJR
CHECKED	

DATE: 19/11/10

APPROVALS: [Signature]

TITLE: AHG36 PACKAGE OUTLINE
2.75 x 2.75 mm BODY
0.4mm PITCH DSBGA

WWW.IDT.COM

6024 SILVER CREEK VALLEY ROAD, SAN JOSE, CA 95138
PHONE: (408) 284-8200
FAX: (408) 284-3572

SIZE: C
DRAWING No.: PSC-4319
REV: 00

DO NOT SCALE DRAWING

SHEET 1 OF 1