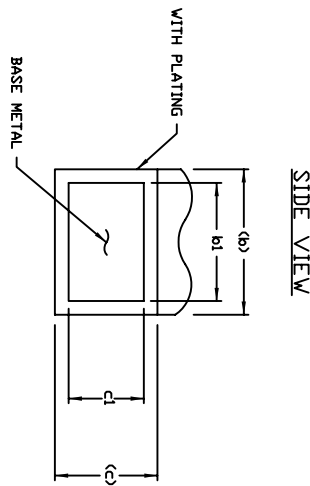
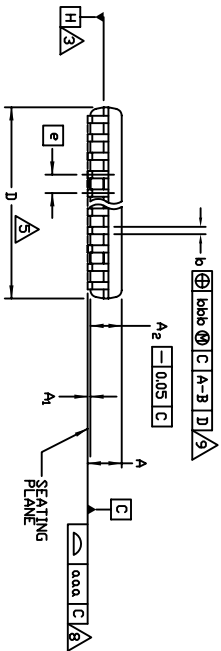
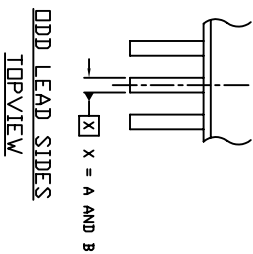
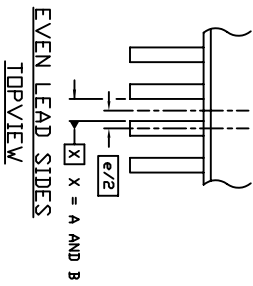
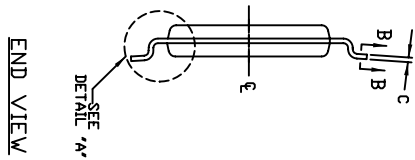
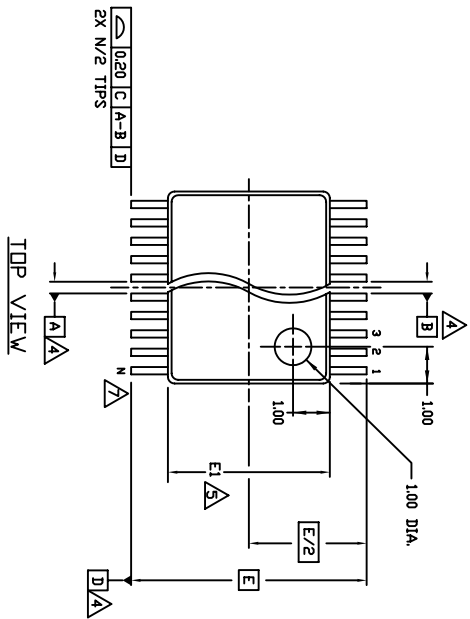
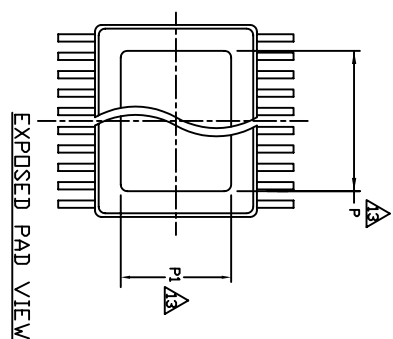
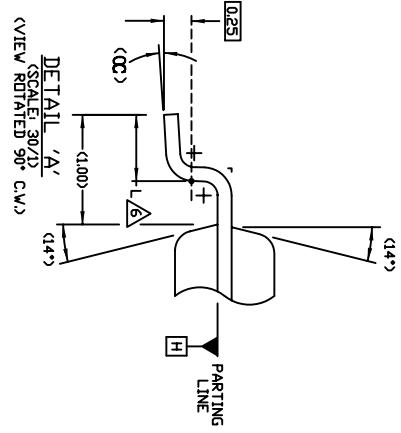


REVISIONS			
REV	DESCRIPTION	DATE	APPROVED BY
00	INITIAL RELEASE	8/26/09	P.PAIK
01	COMBINE PAD & LAND PATTERN	7/23/13	KS



SECTION "B-B"  
SCALE 120/1  
(SEE NOTE 10)




<b>TOLERANCES</b> UNLESS SPECIFIED DECIMAL ±.1 ANGULAR ±1° XXX±.05 XXXX±.030		<b>JIDT</b> 6024 Silver Creek Valley Road San Jose, CA 95138 Phone: (408) 284-8000 Fax: (408) 284-8591 www.jidt.com	
<b>APPROVALS</b> DRAWN RAC 08/26/09 CHECKED		<b>TITLE: EJ/EG PACKAGE OUTLINE</b> 4.40 mm BODY 0.65 mm PITCH (ePAD) TSSOP	
SIZE C	DRAWING No. PSC-4284	REV 01	DO NOT SCALE DRAWING

REVISIONS			
REV	DESCRIPTION	DATE	APPROVED BY
00	INITIAL RELEASE	8/26/09	P.PAIK
01	COMBINE POD & LAND PATTERN	7/23/13	KS

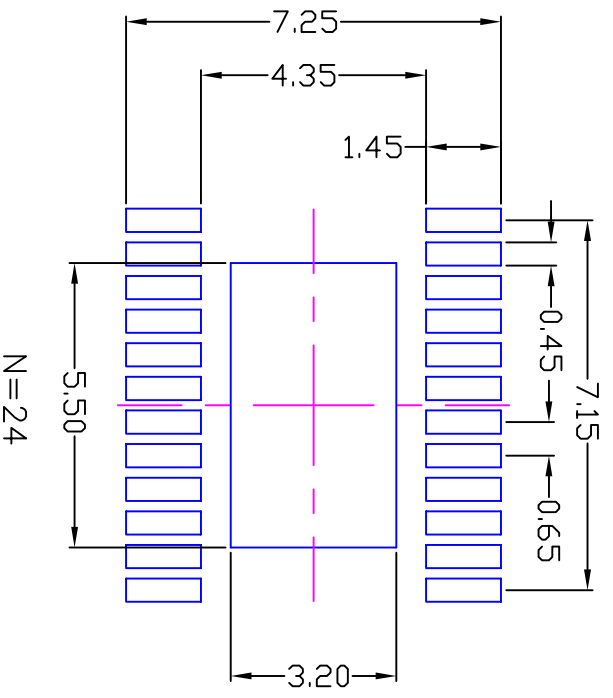
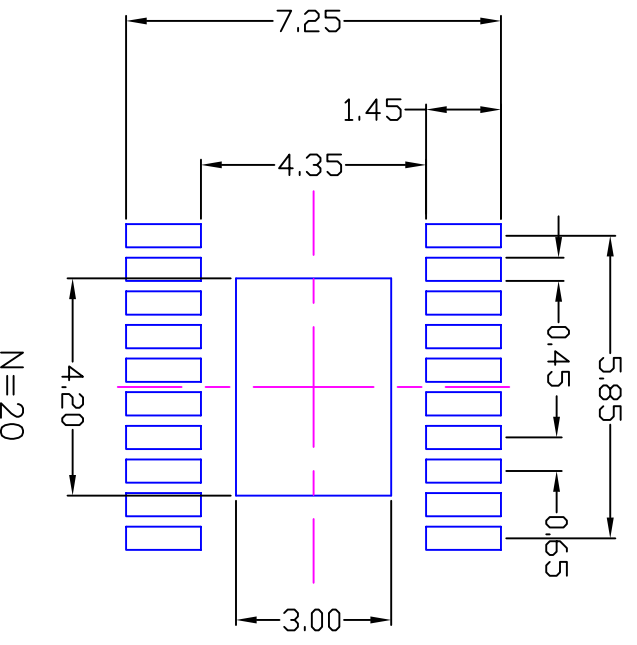
THIS TABLE FOR 0.65mm PITCH

S <sup>y</sup> M <sup>B</sup> D <sup>L</sup>	COMMON DIMENSIONS			NOTE	D			P	P1	N
	MIN.	NOM.	MAX.		MIN.	NOM.	MAX.			
A	—	—	1.10		6.40	6.50	6.60	4.2	3.0	20
A <sub>1</sub>	0.05	—	0.15		7.70	7.80	7.90	5.5	3.2	24
A <sub>2</sub>	0.85	0.90	0.95							
0.0.0		0.076								
b	0.19	—	0.30							
b <sub>1</sub>	0.19	0.22	0.25							
b <sub>b</sub> b		0.10								
c	0.09	—	0.20							
c <sub>1</sub>	0.09	0.127	0.16							
D	SEE VARIATIONS									
E <sub>1</sub>	4.30	4.40	4.50							
e	0.65 BSC									
E	6.40 BSC									
L	0.50	0.60	0.70							
N	SEE VARIATIONS									
P	SEE VARIATIONS									
P <sub>1</sub>	SEE VARIATIONS									
α	0°	—	8°							

ALL DIMENSIONS IN MILLIMETERS

TOLERANCES UNLESS SPECIFIED		6024 Silver Creek Valley Road San Jose, CA 95138 PHONE: (408) 284-800 FAX: (408) 284-8591	
DECIMAL	ANGULAR	 <b>ww.w.idt.com</b>	
X±.05	E±		
XXX±.030		TITLE: EJ/EJG PACKAGE OUTLINE	
APPROVALS	DATE	4.40 mm BODY	
DRAWN RAC	08/26/09	0.65 mm PITCH (ePAD) TSSOP	
CHECKED		SIZE DRAWING No. PSC-4284	
		DO NOT SCALE DRAWING	
		SHEET 2 OF 3	

REVISIONS			
REV	DESCRIPTION	DATE	APPROVED BY
00	INITIAL RELEASE	8/26/09	P.PAIK
01	COMBINE POD & LAND PATTERN	7/23/13	KS



- NOTES:
1. ALL DIMENSION ARE IN mm. ANGLES IN DEGREES.
  2. TOP DOWN VIEW. AS VIEWED ON PCB.
  3. LAND PATTERN IN BLUE. NSMD PATTERN ASSUMED.
  4. LAND PATTERN RECOMMENDATION PER IPC-7351B GENERIC REQUIREMENT FOR SURFACE MOUNT DESIGN AND LAND PATTERN.

TOLERANCES UNLESS SPECIFIED		 6024 Silver Creek Valley Road San Jose, CA 95138 Phone: (408) 284-8000 Fax: (408) 284-8591 WWW: IDT.COM
DECIMAL	ANGULAR	
XX± .05	±1°	
XXX± .030		
APPROVALS	DATE	TITLE: EJ/EJG PACKAGE OUTLINE
DRAWN RAC	08/28/09	4.40 mm BODY
CHECKED		0.65 mm PITCH (ePAD) TSSOP
		SIZE   DRAWING No.   PSC-4284
		DO NOT SCALE DRAWING
		SHEET 3 OF 3
		REV 01