

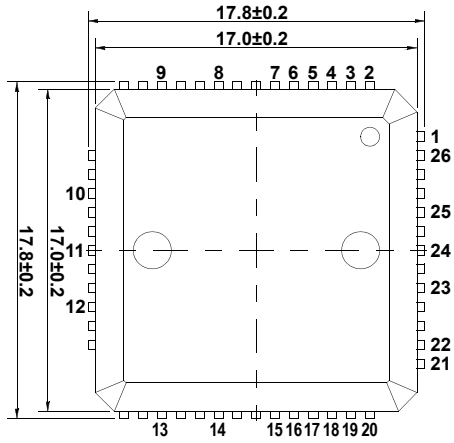
# Plastic Packages for Integrated Circuits

## Package Outline Drawing

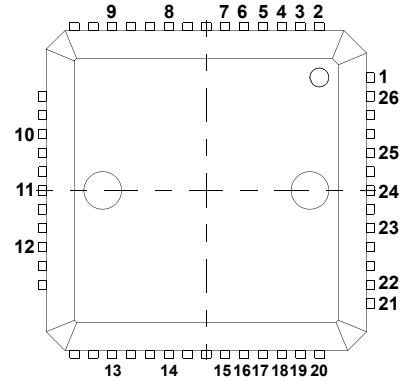
L26.17x17

26 LEAD QUAD FLAT NO-LEAD PLASTIC PACKAGE (PUNCH QFN)

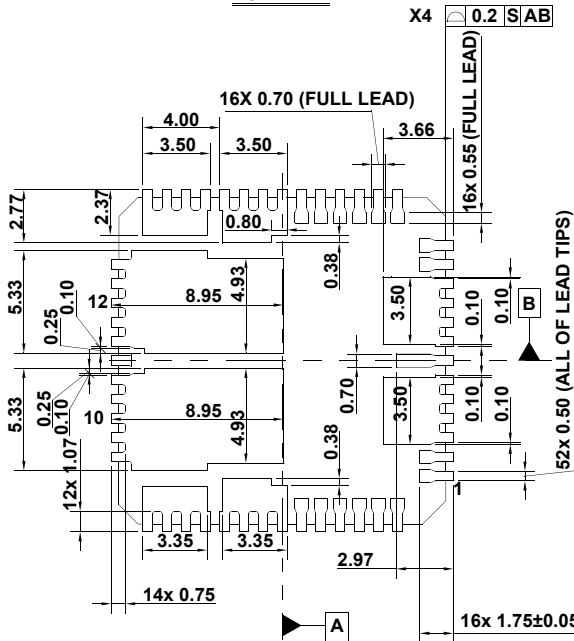
Rev 4, 10/12



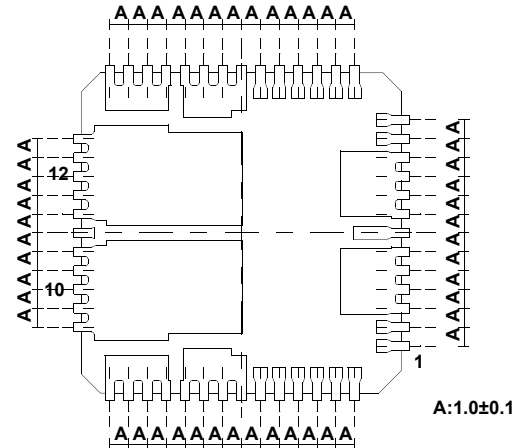
TOP VIEW



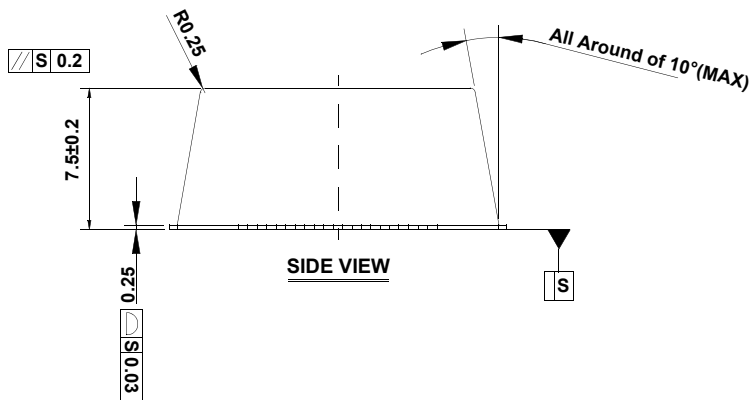
PIN NO. DEFINITION (TOP VIEW)



BOTTOM VIEW

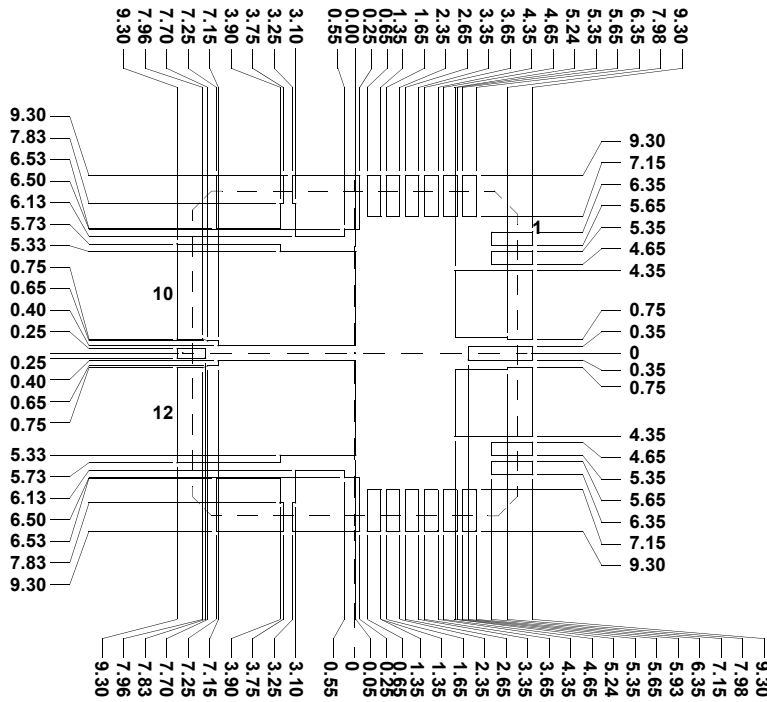


PIN-TO-PIN DISTANCE (BOTTOM VIEW)

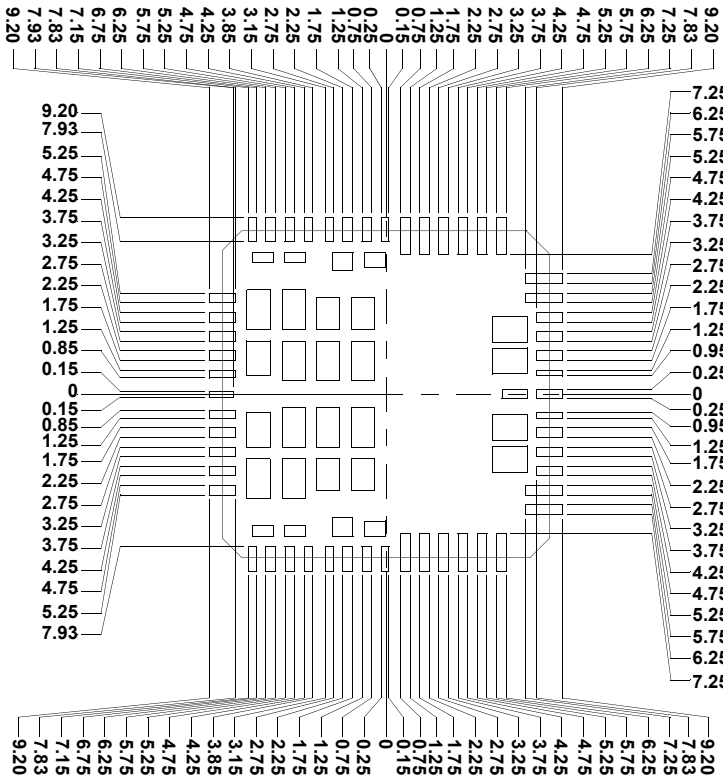


SIDE VIEW

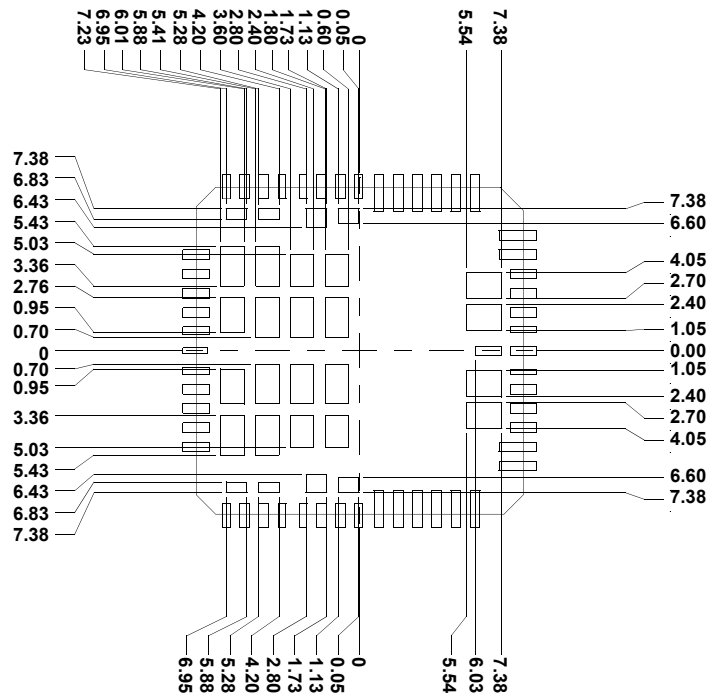
# Plastic Packages for Integrated Circuits



**TYPICAL RECOMMENDED LAND PATTERN (TOP VIEW)**



**SOLDER STENCIL PATTERN WITH SQUARE PADS 1 OF 2 (TOP VIEW)**



**SOLDER STENCIL PATTERN WITH SQUARE PADS 2 OF 2 (TOP VIEW)**