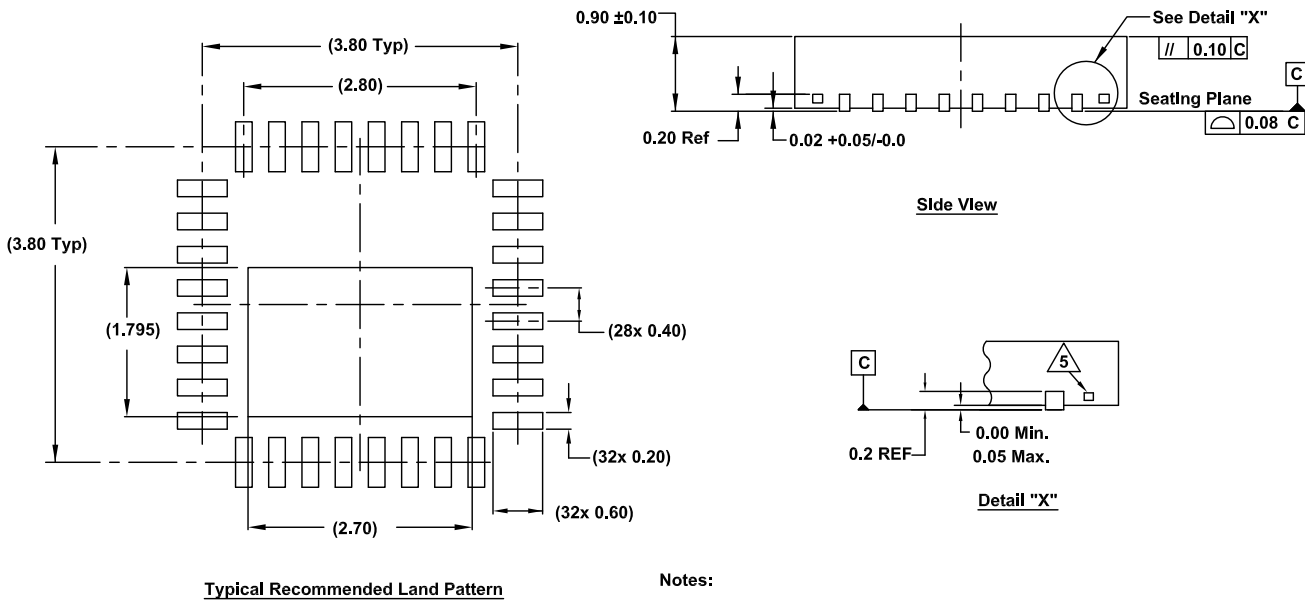
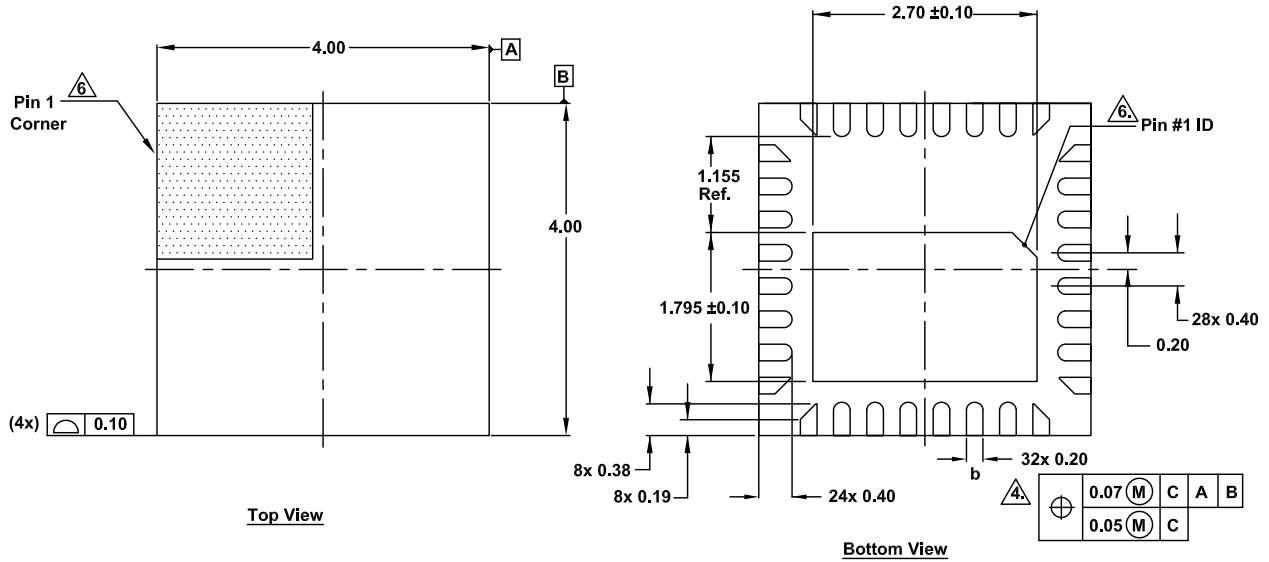


# Plastic Packages for Integrated Circuits

## Package Outline Drawing

L32.4x4F  
32 Lead Quad Flat No-Lead (QFN) Plastic Package  
Rev 0, 10/18



### Notes:

- Dimensions are in millimeters.  
Dimensions in ( ) for Reference Only.
- Dimensioning and tolerancing conform to ASME Y14.5m-1994.
- Unless otherwise specified, tolerance : Decimal  $\pm 0.05$ .
- This dimension applies to the metallized terminal and is measured between 0.15mm and 0.30mm from the terminal tip.
- Tiebar shown (if present) is a non-functional feature.
- The configuration of the pin #1 identifier is optional, but must be located within the zone indicated. The pin #1 identifier may be either a mold or mark feature.