

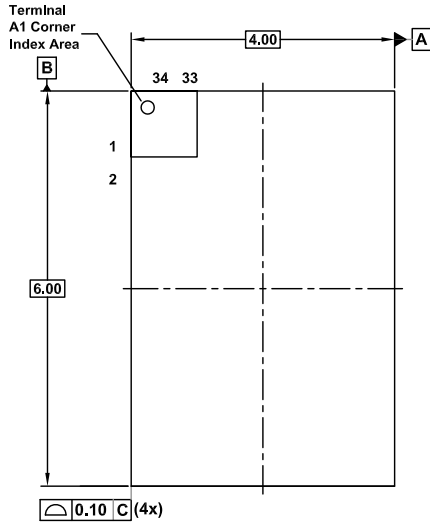
# Plastic Packages for Integrated Circuits

## Package Outline Drawing

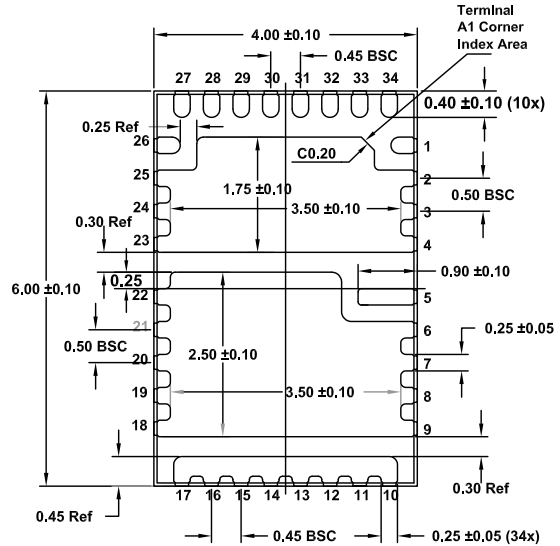
L34.4x6A

34 Lead Power Quad Flat No-Lead (PQFN) Wettable Flank Plastic Package

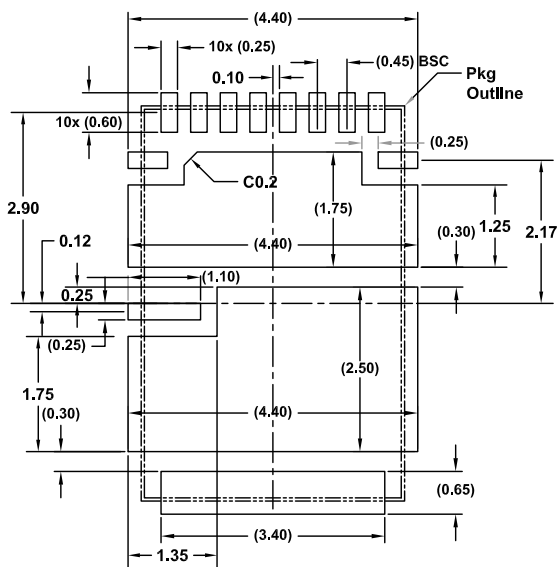
Rev 0, 7/2023



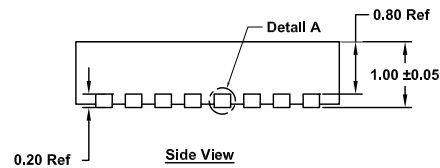
Top View



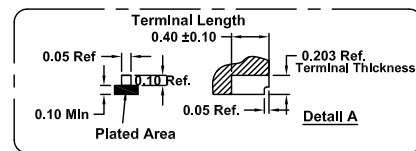
Bottom View



Recommended Land Pattern



Side View



**Notes:**

1. Dimensioning and tolerancing conforms to ASME Y14.5M - 1994.
2. All dimensions are in millimeters. Dimensions in ( ) for reference only.