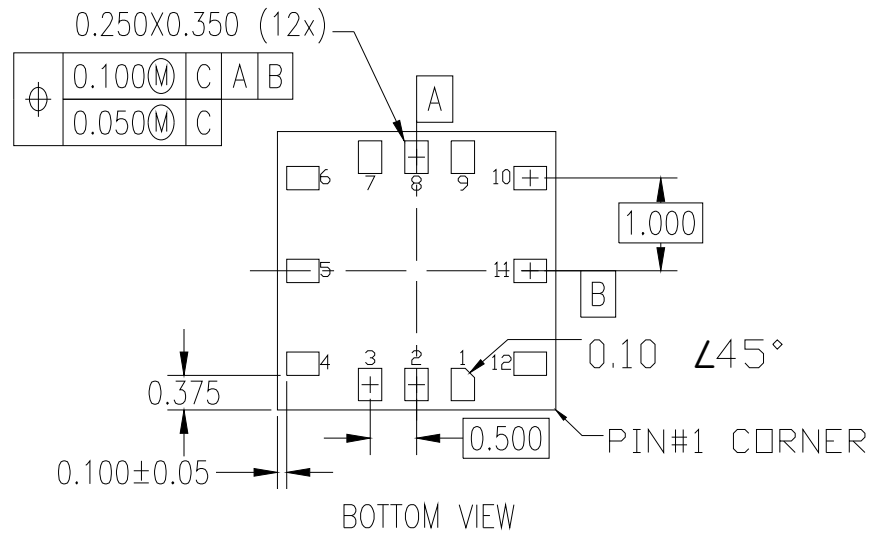
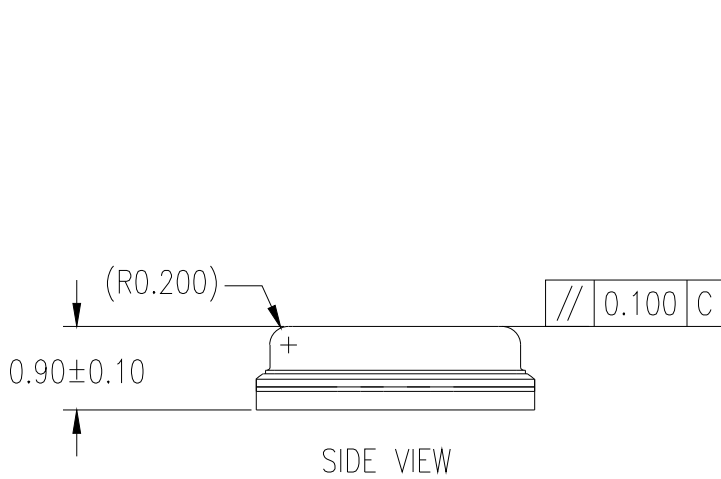
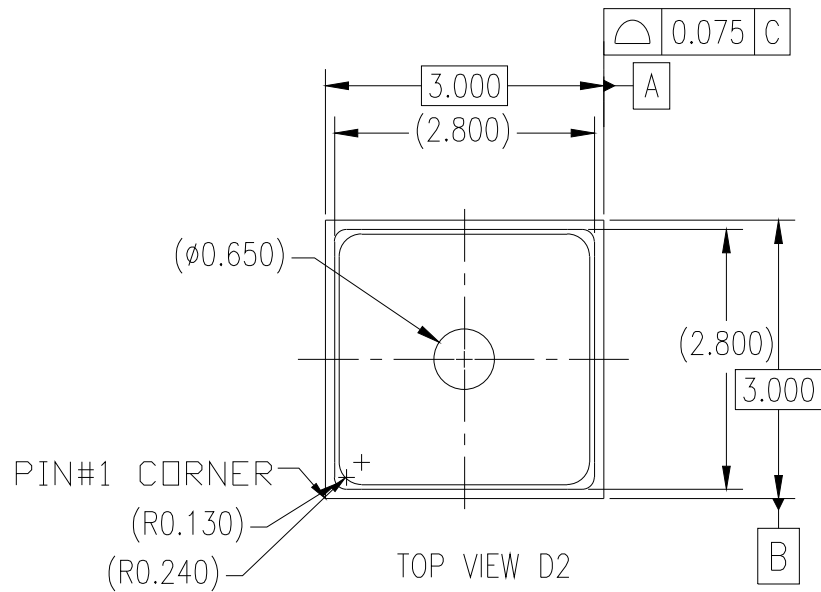
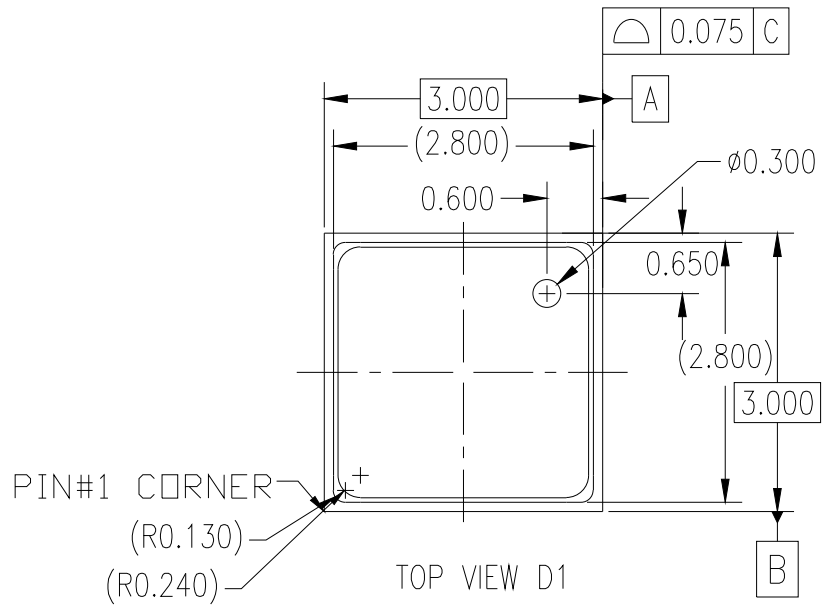


DATE	REVISIONS		
CREATED	REV	DESCRIPTION	AUTHOR
4/24/20	02	Added Top view D2	JH
2/14/19	01	Add Port Hole Location and Dimension	JH

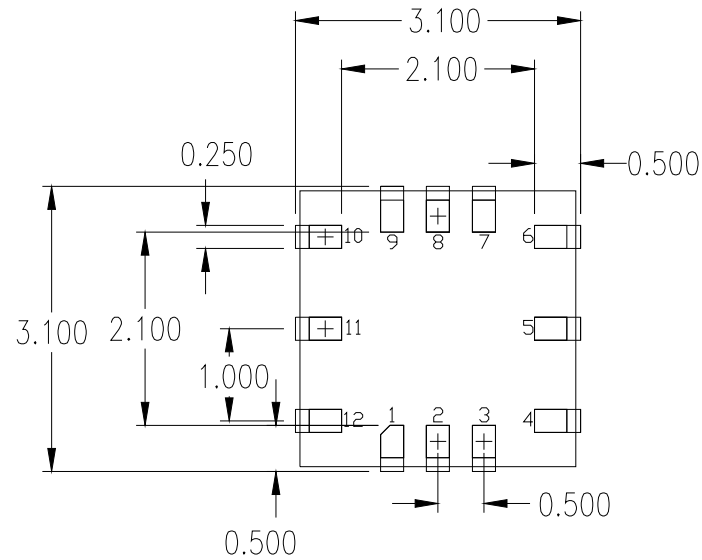
NOTE: Refer to Agile for official release date



- NOTES:
1. ALL DIMENSIONING AND TOLERANCING CONFORM TO ANSI Y14.5M-1982
 2. ALL DIMENSION ARE IN MILLIMETERS

TOLERANCES UNLESS SPECIFIED		6024 Silver Creek Valley Road San Jose, CA 95138 PHONE: (408) 284-8200 FAX: (408) 284-8591	
DECIMAL	ANGULAR	RENESAS	
XX±	±	TITLE LGA-12, Package Outline Drawing 3.0 x 3.0 x 0.9 mm Body, 0.5 x 1.0 mm Pitch, LVG12	
XXX±		SIZE C	REV 02
XXXX±		DRAWING No. PSC-4708	
		DO NOT SCALE DRAWING	SHEET 1 OF 2


DATE		REVISIONS		
CREATED	REV	DESCRIPTION	AUTHOR	
4/24/20	02	Added Top view D2	JH	
2/14/19	01	Add Port Hole Location and Dimension	JH	
NOTE: Refer to Agile for official release date				



RECOMMENDED LAND PATTERN DIMENSION

NOTES:

1. ALL DIMENSION ARE IN MM. ANGLES IN DEGREES
2. TOP DOWN VIEW ON PCB
3. LAND PATTERN RECOMMENDATION PER IPC-7351B GENERIC REQUIREMENT FOR SURFACE MOUNT DESIGN AND LAND PATTERN

TOLERANCES UNLESS SPECIFIED		6024 Silver Creek Valley Road San Jose, CA 95138 PHONE: (408) 284-8200 FAX: (408) 284-8591	
DECIMAL	ANGULAR		
XX±	±		
XXX±			
XXXX±			
TITLE		LGA-12, Package Outline Drawing 3.0 x 3.0 x 0.9 mm Body, 0.5 x 1.0 mm Pitch, LVG12	
SIZE	DRAWING No.	REV	
C	PSC-4708	02	
DO NOT SCALE DRAWING			SHEET 2 OF 2