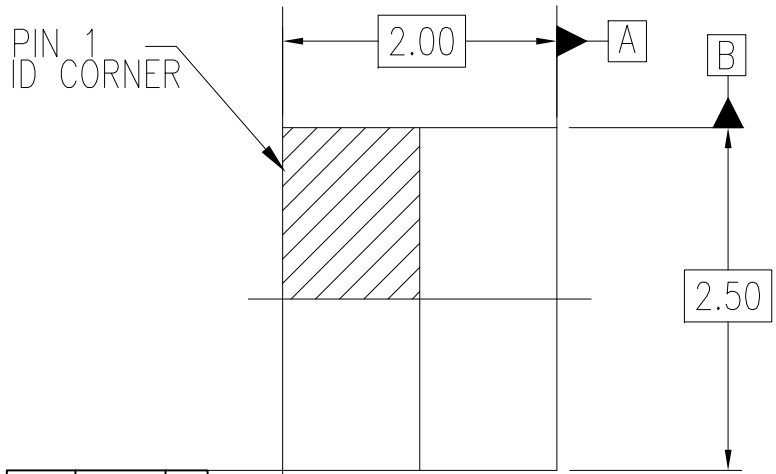


| DATE CREATED |  | REVISIONS |                 |        |
|--------------|--|-----------|-----------------|--------|
|              |  | REV       | DESCRIPTION     | AUTHOR |
| 11/15/17     |  | 00        | INITIAL RELEASE | JH     |

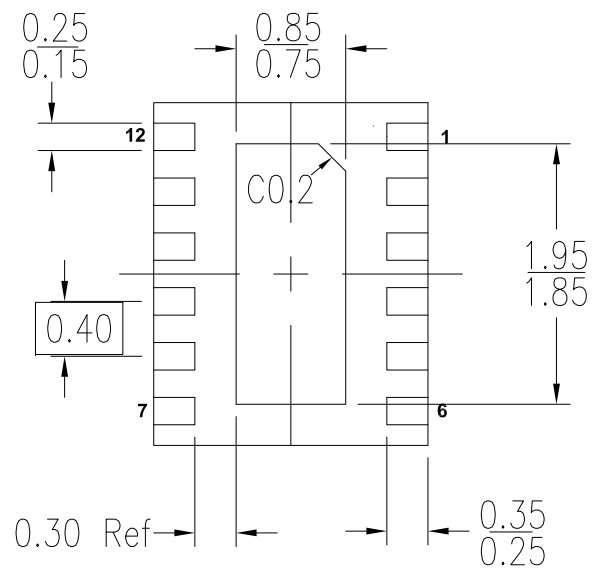
NOTE: REFER TO DCP FOR OFFICIAL RELEASE DATE



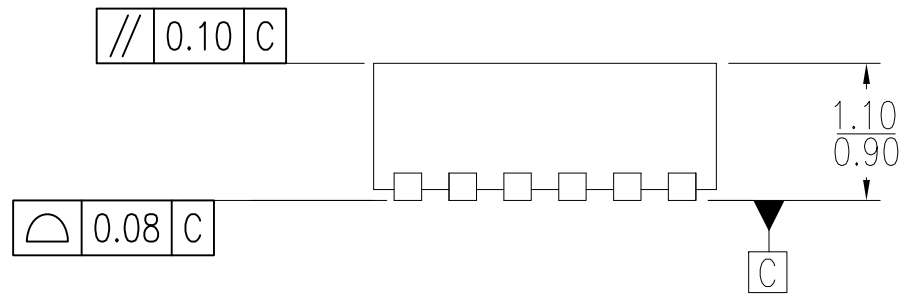
$\text{R}0.10 \text{ C } 2\text{X}$

$\text{R}0.10 \text{ C } 2\text{X}$

TOP VIEW




BOTTOM VIEW

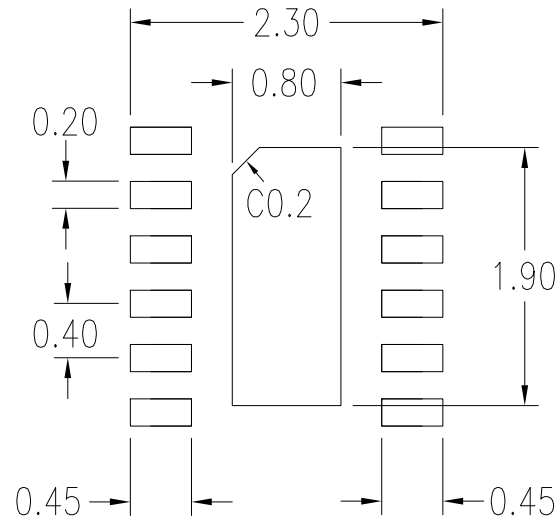


SIDE VIEW (ROTATE 90 Deg.)

NOTE:  
 1. DIMENSIONING AND TOLERANCING CONFORM TO ASME Y14.5-2009.  
 2. ALL DIMENSIONS ARE IN MILLIMETERS.

|                             |         |  |  |             |              |
|-----------------------------|---------|--|--|-------------|--------------|
| TOLERANCES UNLESS SPECIFIED |         | <br>6024 Silver Creek Valley Road<br>San Jose CA 95138<br>PHONE: (408) 284-8200<br>www.IDT.com<br>FAX: (408) 284-3572 | TITLE NJG12 Package Outline Drawing<br>2.00 x 2.50 x 1.00 mm Body<br>Epad 0.80 x 1.90 mm. 0.40mm Pitch DFN |             |              |
| DECIMAL                     | ANGULAR |  | SIZE   | DRAWING No. | REV          |
| X± .1                       | ±1°     |  | C  | PSC-4736    | 00           |
| XX± .05                     |         |  | DO NOT SCALE DRAWING   |             | SHEET 1 OF 2 |
| XXX± .030                   |         |  |  |             |              |


| DATE CREATED                                 |     | REVISIONS       |  | AUTHOR |
|--|-----|-----------------|--|--------|
| DATE   | REV | DESCRIPTION     |  |        |
| 11/15/17                                     | 00  | INITIAL RELEASE |  | JH     |
| NOTE: REFER TO DCP FOR OFFICIAL RELEASE DATE |     |                 |  |        |



RECOMMENDED LAND PATTERN

NOTES:

1. ALL DIMENSIONS ARE IN mm. ANGLES IN DEGREES.
2. TOP DOWN VIEW. AS VIEWED ON PCB.
3. LAND PATTERN RECOMMENDATION PER IPC-7351B GENERIC REQUIREMENT FOR SURFACE MOUNT DESIGN AND LAND PATTERN.

|                             |             |   |  |  |
|-----------------------------|-------------|---|--|--|
| TOLERANCES UNLESS SPECIFIED |             |  <b>IDT™</b><br><a href="http://www.IDT.com">www.IDT.com</a> | 6024 Silver Creek Valley Road<br>San Jose CA 95138<br>PHONE: (408) 284-8200<br>FAX: (408) 284-3572 |  |
| DECIMAL                     | ANGULAR     |   |  |  |
| X± .1                       | ±1°         |   |  |  |
| XX± .05                     |             |   |  |  |
| XXX± .030                   |             |   |  |  |
|                             |             | TITLE NJG12 Package Outline Drawing<br>2.00 x 2.50 x 1.00 mm Body<br>Epad 0.80 x 1.90 mm. 0.40mm Pitch DFN  |  |  |
| SIZE                        | DRAWING No. | REV   |  |  |
| C                           | PSC-4736    | 00  |  |  |
| DO NOT SCALE DRAWING        |             |   | SHEET 2 OF 2   |  |