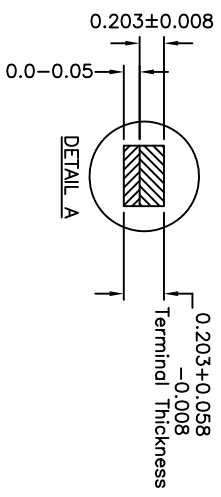
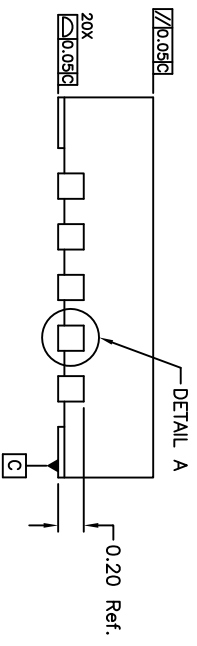
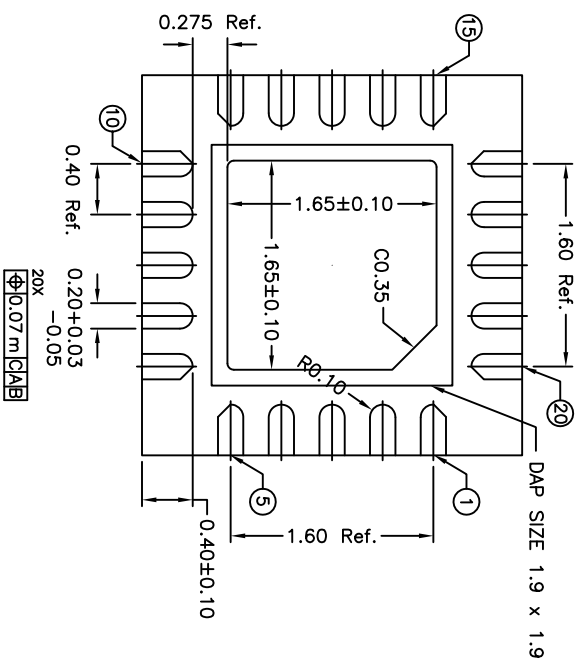
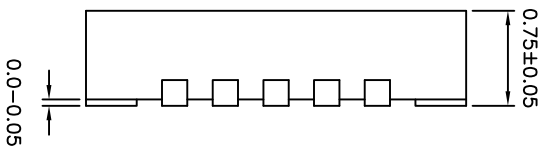
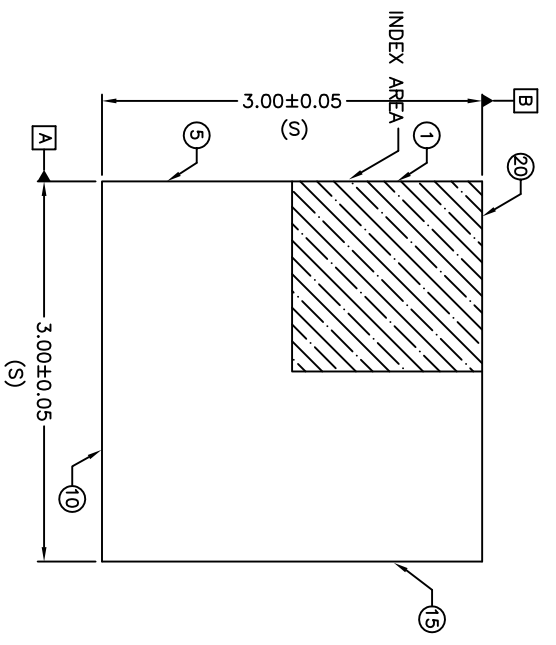


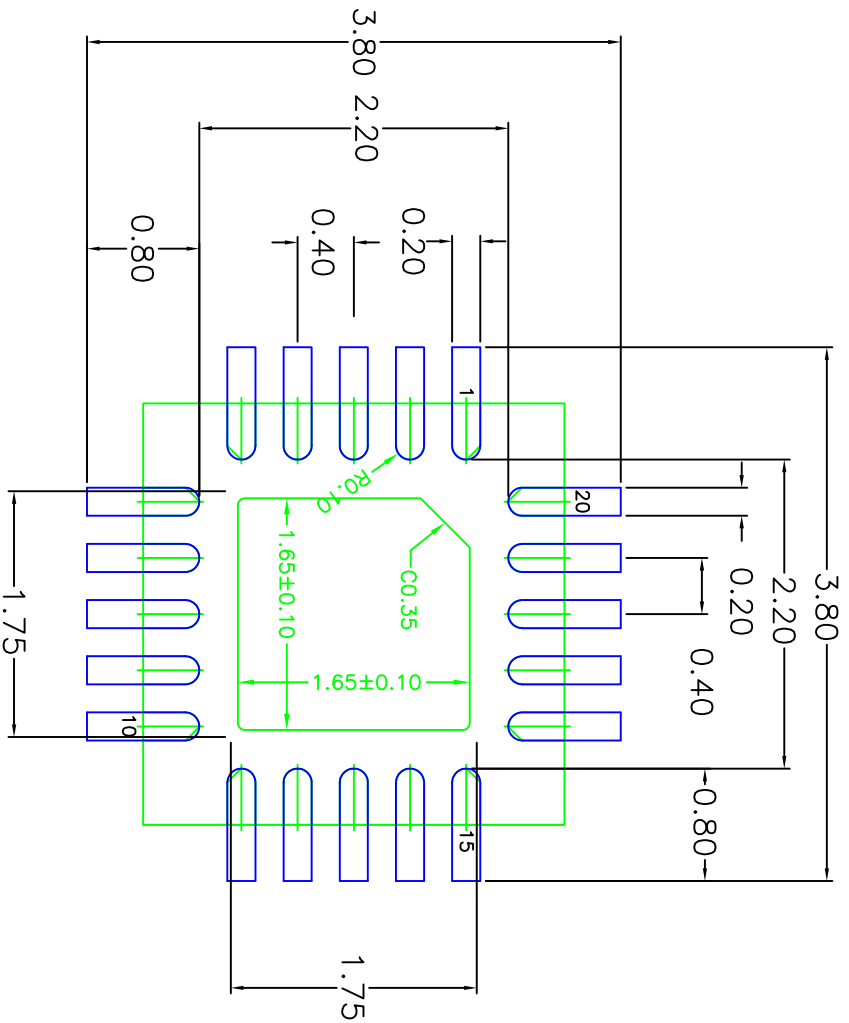
REVISIONS			
REV	DESCRIPTION	DATE	APPROVED
00	INITIAL RELEASE	12/08/09	P.PAIK
01	COMBINE POD & LAND PATTERN	12/5/13	J.H



- NOTE :
1. ALL DIMENSIONS ARE IN mm. ANGLES IN DEGREES.
 2. COPLANARITY APPLIES TO THE EXPOSED PAD AS WELL AS THE TERMINALS. COPLANARITY SHALL NOT EXCEED 0.05 mm.
 3. WARPAGE SHALL NOT EXCEED 0.05 mm.
 4. PACKAGE LENGTH / PACKAGE WIDTH ARE CONSIDERED AS SPECIAL CHARACTERISTIC. (S)
 5. REFER JEDEC MO-220.

TOLERANCES UNLESS SPECIFIED		IDT™	
DECIMAL	ANGULAR	6024 SILVER CREEK VALLEY ROAD, SAN JOSE, CA 95138	
XX±.1	±1°	PHONE: (408) 284-8200	
XXX±.05		FAX: (408) 284-3572	
XXXX±.030		WWW.IDT.COM	
APPROVALS	DATE	TITLE	
DRAWN <i>RA/C</i>	12/08/09	NF/NTG20 PACKAGE OUTLINE	
CHECKED		3.0 x 3.0 mm BODY	
		0.40 mm PITCH TQFN	
		SIZE DRAWING No.	REV
		C PSC-4297	01
DO NOT SCALE DRAWING			SHEET 1 OF 2

REVISIONS			
REV	DESCRIPTION	DATE	APPROVED
00	INITIAL RELEASE	12/08/09	P.PAIK
01	COMBINE POD & LAND PATTERN	12/5/13	JH



- NOTES:
1. ALL DIMENSION ARE IN mm. ANGLES IN DEGREES.
 2. TOP DOWN VIEW. AS VIEWED ON PCB.
 3. COMPONENT OUTLINE SHOW FOR REFERENCE IN GREEN.
 4. LAND PATTERN IN BLUE. NSMD PATTERN ASSUMED.
 5. LAND PATTERN RECOMMENDATION PER IPC-7351B GENERIC REQUIREMENT FOR SURFACE MOUNT DESIGN AND LAND PATTERN.

TOLERANCES UNLESS SPECIFIED		DECIMAL ANGULAR	
X±.1		±1°	
XX±.05			
XXX±.030			
APPROVALS	DATE	TITLE	
DRAWN 024G	12/08/09	NT/NTG20 PACKAGE OUTLINE	
CHECKED		3.0 x 3.0 mm BODY	
		0.40 mm PITCH TQFN	
SIZE	DRAWING No.	DO NOT SCALE DRAWING	REV
C	PSC-4297		01
			SHEET 2 OF 2



6024 SILVER CREEK
VALLEY ROAD. SAN JOSE,
CA 95138
PHONE: (408) 284-8200
FAX: (408) 284-3572

WWW.IDT.COM