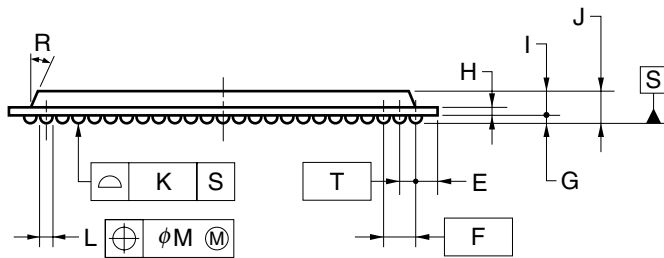
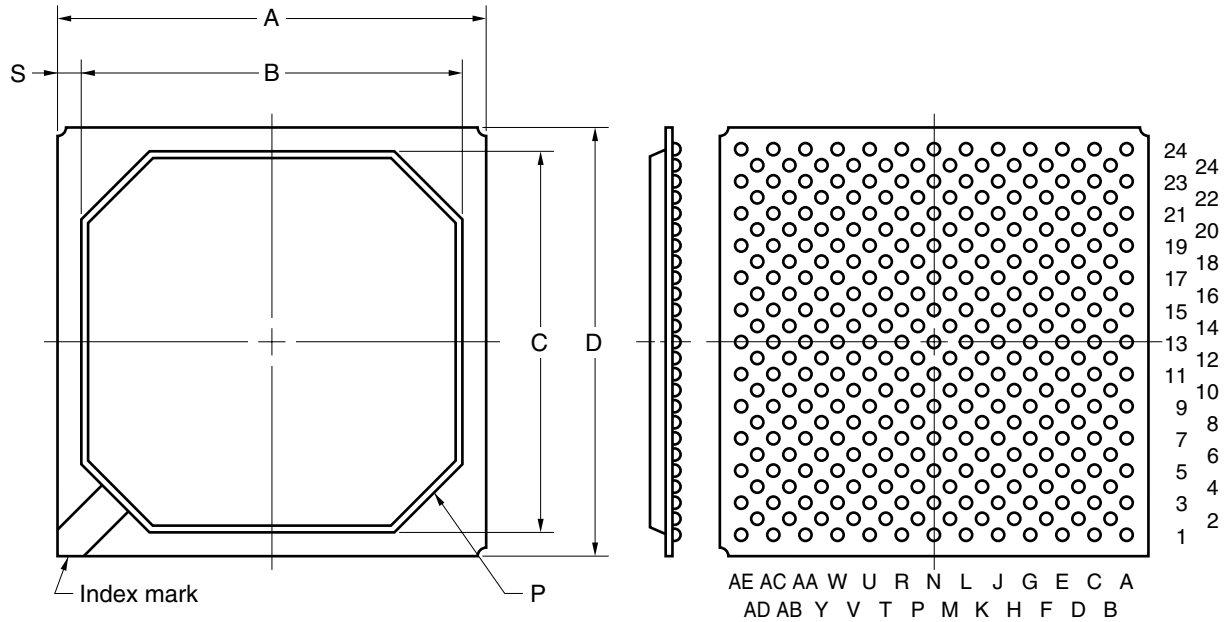


### 313-PIN PLASTIC BGA (35x35)



**NOTE**

Each ball centerline is located within  $\phi 0.3$  mm of its true position (T.P.) at maximum material condition.

ITEM	MILLIMETERS
A	35.0 $\pm$ 0.2
B	30.0
C	30.0
D	35.0 $\pm$ 0.2
E	2.26
F	2.54 (T.P.)
G	0.6 $\pm$ 0.1
H	0.56
I	1.73 $\pm$ 0.15
J	2.33 $\pm$ 0.25
K	0.15
L	$\phi 0.75 \pm 0.15$
M	0.3
P	C4.0
R	30°
S	2.5
T	1.27 (T.P.)