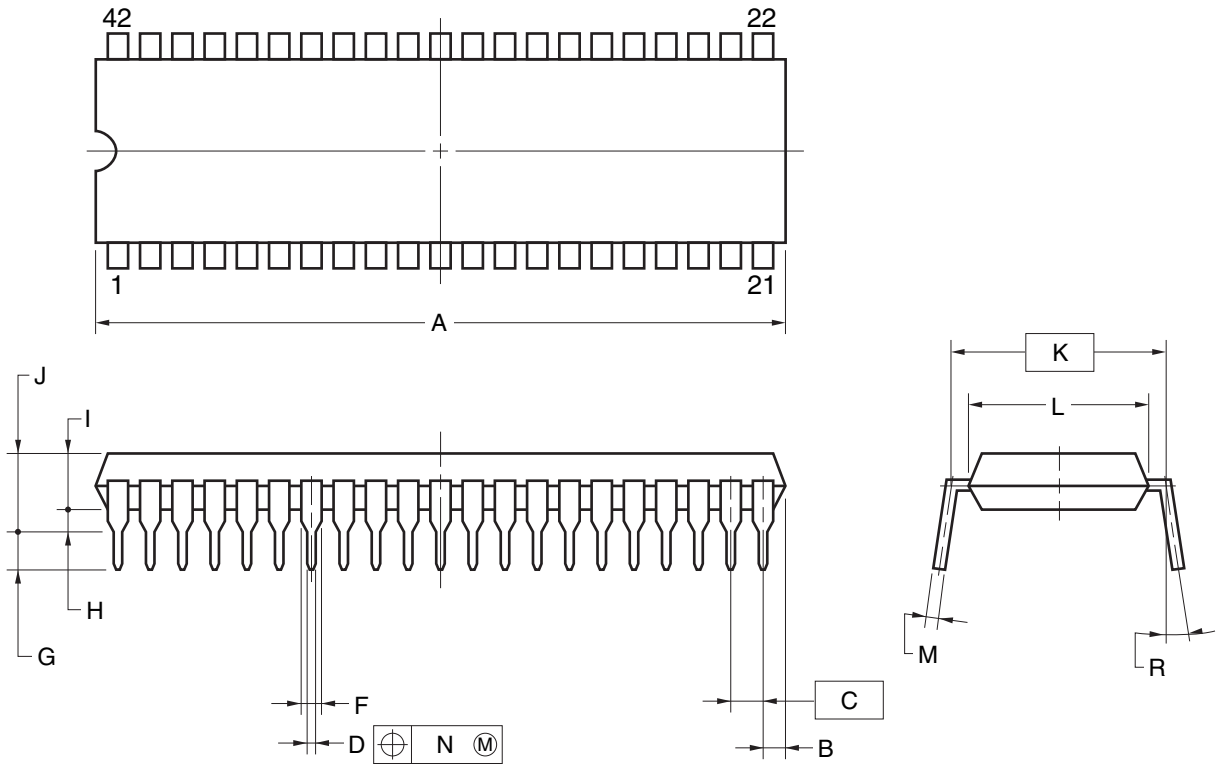


|                    |              |               |                 |
|--------------------|--------------|---------------|-----------------|
| JEITA Package Code | RENESAS Code | Previous Code | MASS (TYP.) [g] |
| P-DIP42-0600-2.54  | PRDP0042AC-B | P42C-100-600B | 6.3             |



**NOTES**

- Each lead centerline is located within 0.25 mm of its true position (T.P.) at maximum material condition.
- Item "K" to center of leads when formed parallel.

| ITEM | MILLIMETERS                            |
|------|----------------------------------------|
| A    | 55.88 MAX.                             |
| B    | 2.54 MAX.                              |
| C    | 2.54 (T.P.)                            |
| D    | 0.50±0.10                              |
| F    | 1.2 MIN.                               |
| G    | 3.6±0.3                                |
| H    | 0.51 MIN.                              |
| I    | 4.31 MAX.                              |
| J    | 5.72 MAX.                              |
| K    | 15.24 (T.P.)                           |
| L    | 13.2                                   |
| M    | 0.25 <sup>+0.10</sup> <sub>-0.05</sub> |
| N    | 0.25                                   |
| R    | 0~15°                                  |