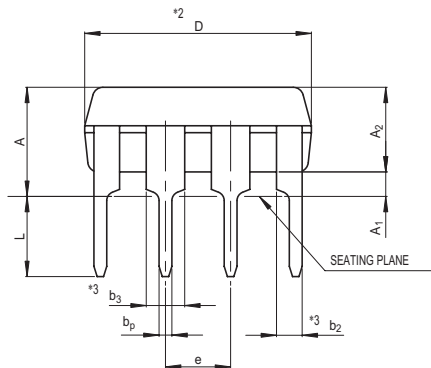
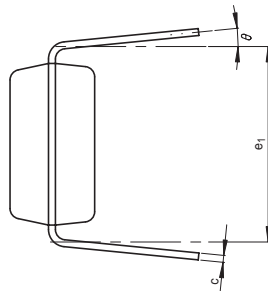
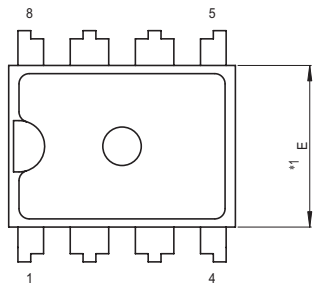


JEITA Package Code	RENESAS Code	Previous Code	MASS[Typ.]
P-DIP8-6.3x8.84-2.54	PRDP0008AA-A	8P4	0.5g



NOTE)

1. DIMENSIONS \*\*1\* AND \*\*2\* DO NOT INCLUDE MOLD FLASH.
2. DIMENSION \*\*3\* DOES NOT INCLUDE TRIM OFFSET.

Reference Symbol	Dimension in Millimeters		
	Min	Nom	Max
e <sub>1</sub>	7.32	7.62	7.92
D	8.7	8.9	9.1
E	6.15	6.3	6.45
A	—	—	4.5
A <sub>1</sub>	0.51	—	—
A <sub>2</sub>	—	3.3	—
b <sub>p</sub>	0.4	0.5	0.6
b <sub>2</sub>	0.9	1.0	1.3
b <sub>3</sub>	1.4	1.5	1.8
c	0.22	0.27	0.34
θ	0°	—	15°
e	2.29	2.54	2.79
L	3.0	—	—