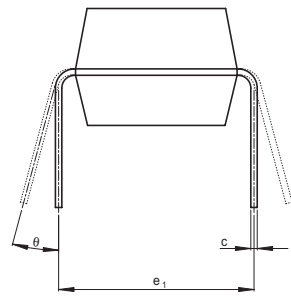
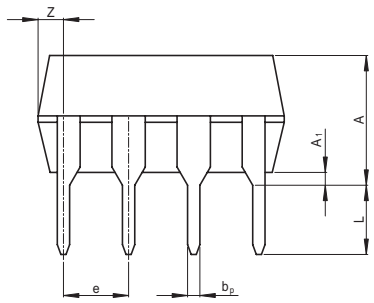
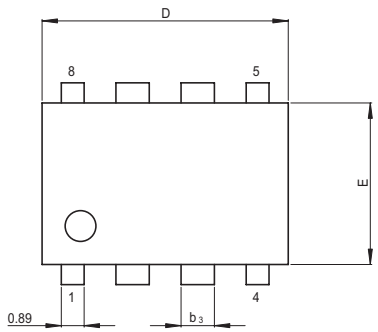


JEITA Package Code	RENASAS Code	Previous Code	MASS[Typ.]
P-DIP8-6.3x9.6-2.54	PRDP0008AF-A	DP-8B	0.51g



Reference Symbol	Dimension in Millimeters		
	Min	Nom	Max
e_1	—	7.62	—
D	—	9.6	10.6
E	—	6.3	7.4
A	—	—	5.06
A_1	0.5	—	—
b_p	0.38	0.48	0.58
b_3	—	1.3	—
c	0.20	0.25	0.35
θ	0°	—	15°
e	2.29	2.54	2.79
Z	—	—	1.27
L	2.54	—	—