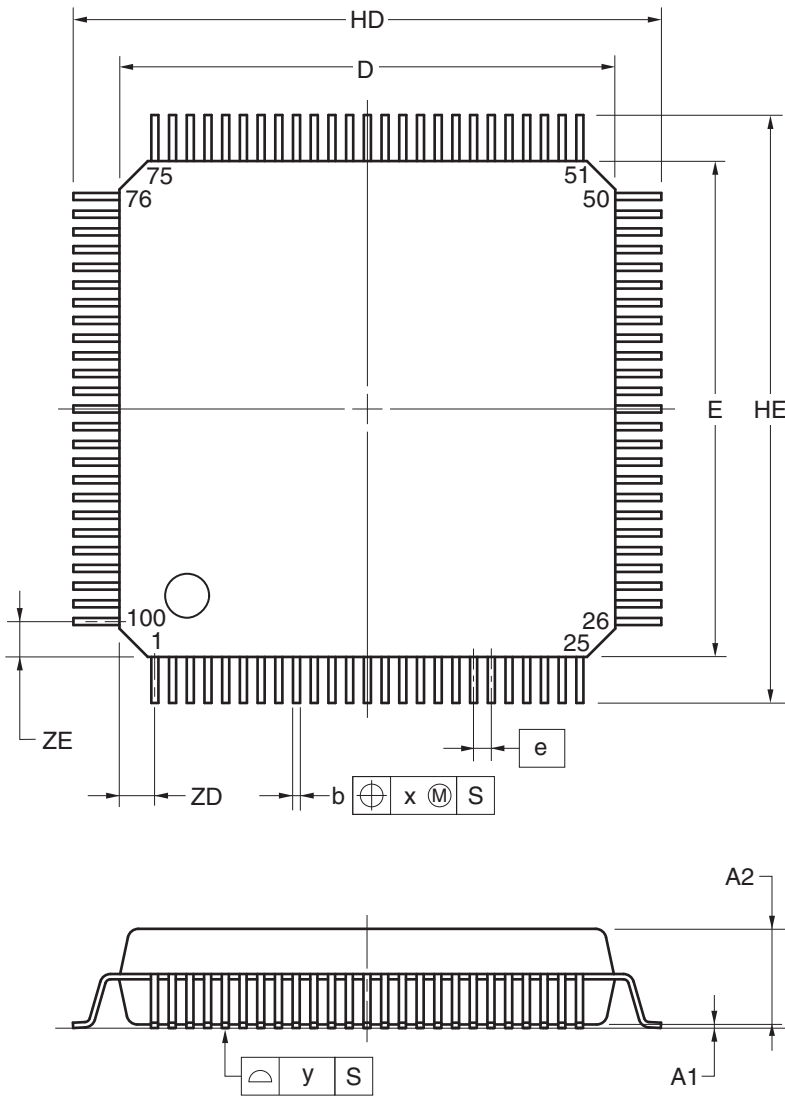
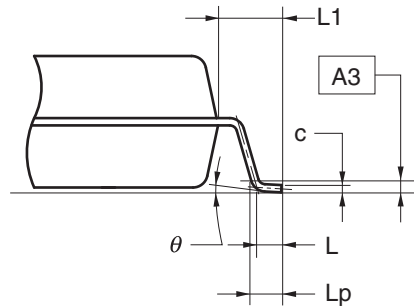


100-PIN PLASTIC QFP (FINE PITCH) (14x14)



detail of lead end



(UNIT:mm)

ITEM	DIMENSIONS
D	14.00±0.20
E	14.00±0.20
HD	16.60±0.20
HE	16.60±0.20
A	3.15 MAX
A1	0.10 ^{+0.15} _{-0.05}
A2	2.70±0.20
A3	0.25
b	0.20 ^{+0.07} _{-0.03}
c	0.125 ^{+0.075} _{-0.035}
L	0.50
Lp	0.60±0.15
L1	1.30±0.20
θ	3° ^{+5°} _{-3°}
e	0.50
x	0.08
y	0.08
ZD	1.00
ZE	1.00

P100GC-50-FAB-1