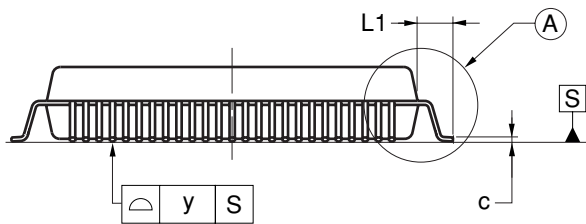
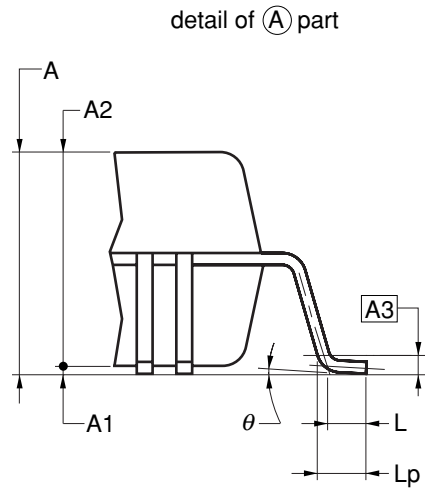
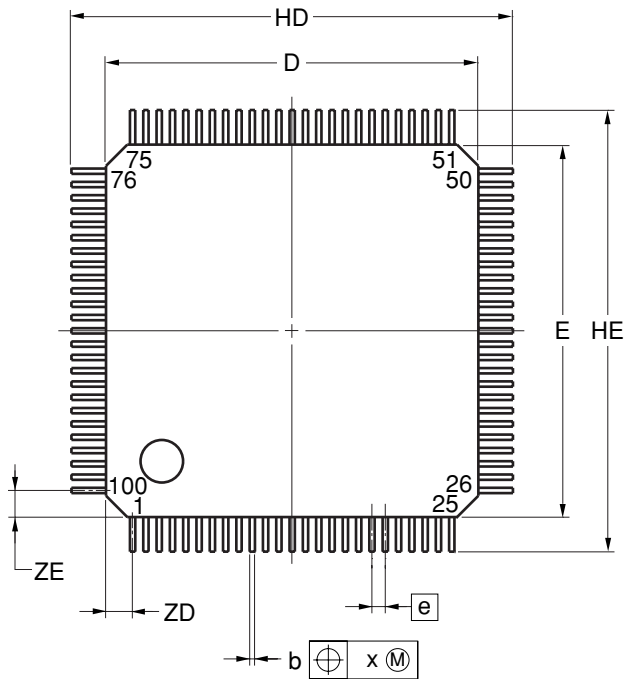


100-PIN PLASTIC QFP (FINE PITCH) (14x14)



NOTE

Each lead centerline is located within 0.08 mm of its true position at maximum material condition.

(UNIT:mm)

ITEM	DIMENSIONS
D	14.00±0.20
E	14.00±0.20
HD	16.60±0.20
HE	16.60±0.20
A	3.15 MAX.
A1	0.1 ^{+0.15} _{-0.05}
A2	2.70±0.20
A3	0.25
b	0.20 ^{+0.07} _{-0.03}
c	0.15 ^{+0.05} _{-0.06}
L	0.50
Lp	0.60±0.15
L1	1.30±0.20
θ	0° to 8°
e	0.50
x	0.08
y	0.08
ZD	1.00
ZE	1.00

P100GC-50-JEA