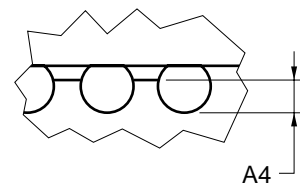
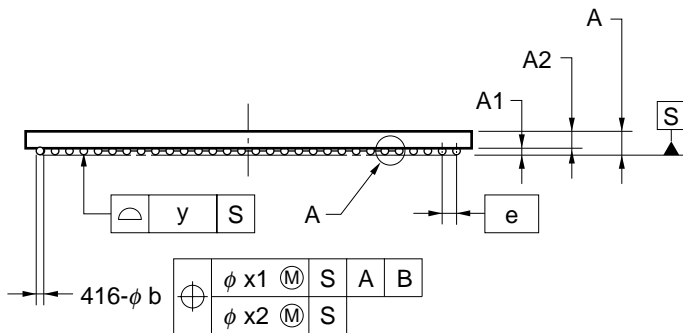
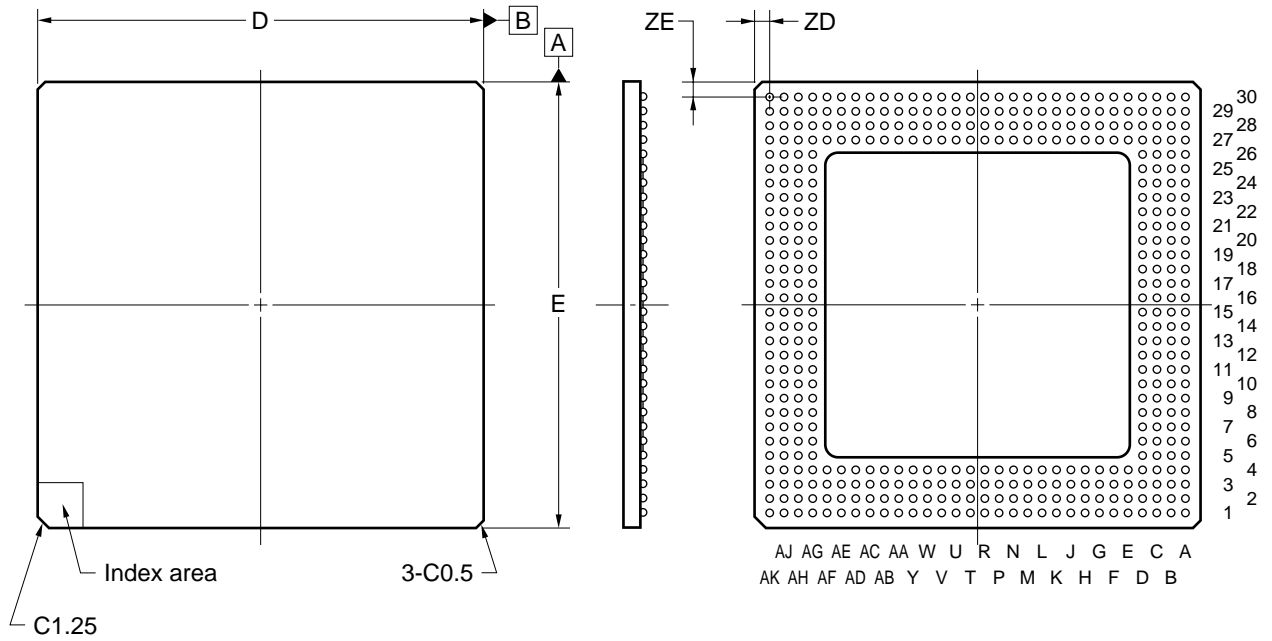


# 416-PIN PLASTIC BGA (CAVITY DOWN ADVANCED TYPE) (40x40)



detail of A part

ITEM	MILLIMETERS
D	40.0±0.2
E	40.0±0.2
e	1.27
A	2.50±0.30
A1	0.60±0.10
A2	1.90
A4	0.25 MIN.
b	0.75±0.15
x1	0.30
x2	0.15
y	0.20
ZD	1.585
ZE	1.585

P416S9-127-H6-1