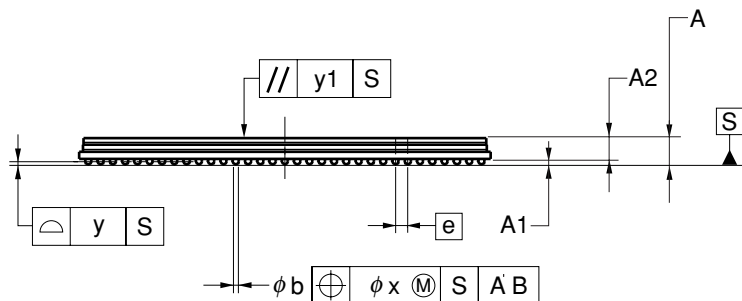
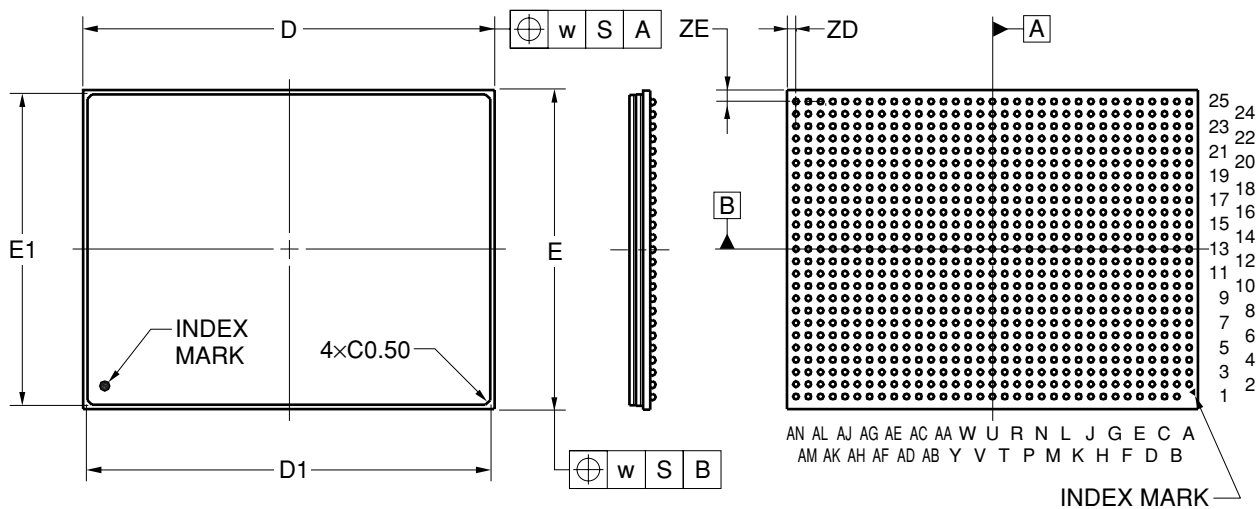


824-PIN PLASTIC BGA (FLIP CHIP TYPE) (33x42.5)



(UNIT:mm)

ITEM	DIMENSIONS
D	42.50±0.10
D1	41.60±0.05
E	33.00±0.10
E1	32.10±0.05
w	0.30
e	1.27
A	2.75±0.40
A1	0.60±0.10
A2	2.15
b	0.75±0.15
x	0.15
y	0.20
y1	0.35
ZD	0.93
ZE	1.26

P824F5-127-QY3