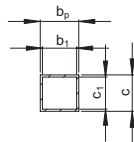
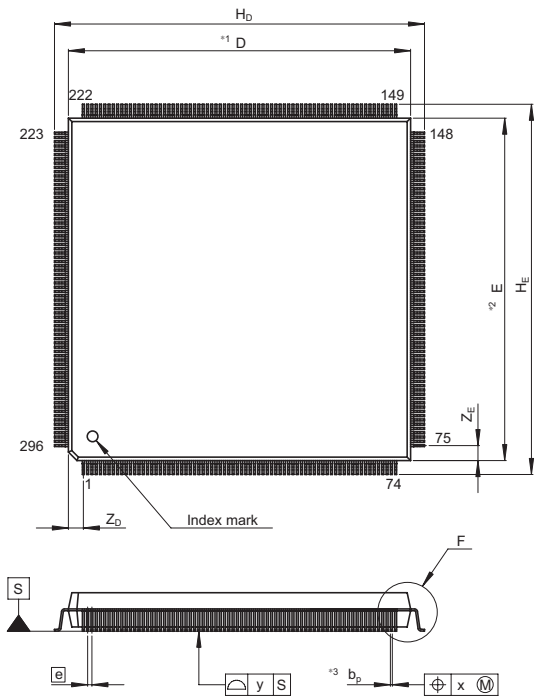
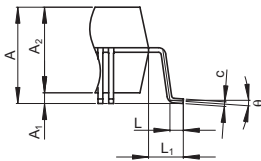


JEITA Package Code	RENASAS Code	Previous Code	MASS[Typ.]
P-HFQFP296-32x32-0.40	PRQP0296LA-B	FP-296B/FP-296BV	7.0g



Terminal cross section



Detail F

NOTE)
 1. DIMENSIONS *1 AND *2
 DO NOT INCLUDE MOLD FLASH
 2. DIMENSION *3 DOES NOT
 INCLUDE TRIM OFFSET.

Reference Symbol	Dimension in Millimeters		
	Min	Nom	Max
D	—	32	—
E	—	32	—
A ₂	—	3.20	—
H _D	34.4	34.6	34.8
H _E	34.4	34.6	34.8
A	—	—	3.95
A ₁	0.25	0.40	0.50
b _p	0.13	0.18	0.23
b ₁	—	0.16	—
c	0.12	0.17	0.22
c ₁	—	0.15	—
θ	0°	—	8°
⌀	—	0.4	—
x	—	—	0.11
y	—	—	0.08
Z _D	—	1.4	—
Z _E	—	1.4	—
L	0.3	0.5	0.7
L ₁	—	1.3	—