

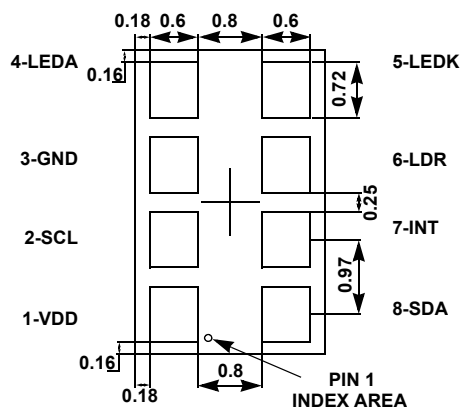
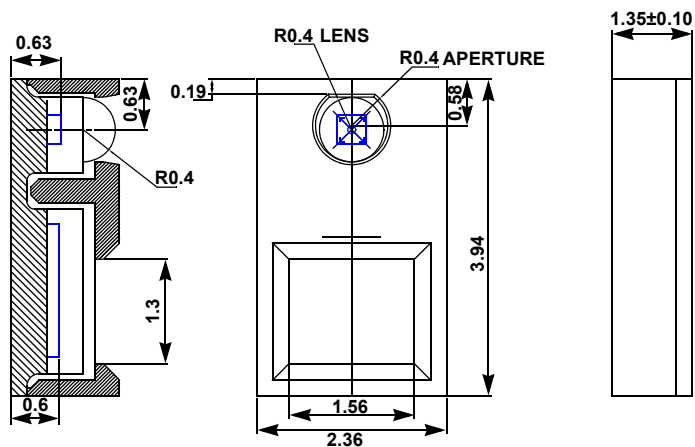
# Plastic Packages for Integrated Circuits

## Package Outline Drawing

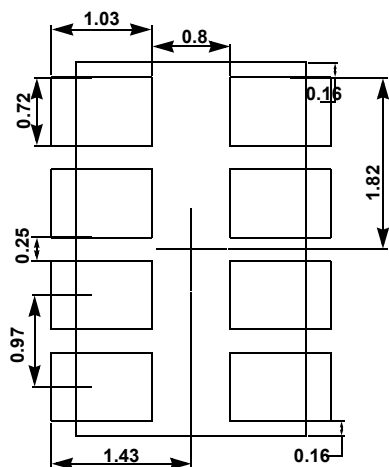
L8.2.36x3.94

8 LEAD OPTICAL CO-PACKAGE

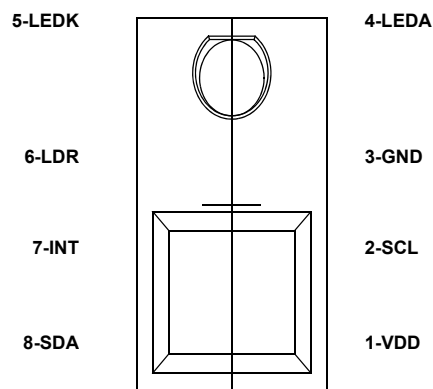
Rev 1, 4/13



**BOTTOM VIEW**



**TYPICAL RECOMMENDED LAND PATTERN**



**TOP VIEW**

**NOTES:**

1. Dimensions are in millimeters.  
Dimensions in ( ) for Reference Only.
2. Dimensioning and tolerancing conform to ASME Y14.5m-1994.
3. Unless otherwise specified, tolerance: Decimal ± 0.05
4. Pin #1 identifier is a laser-etched dot on bottom surface.