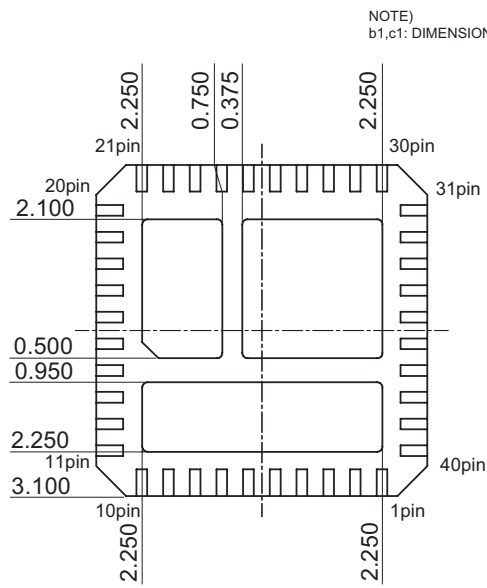
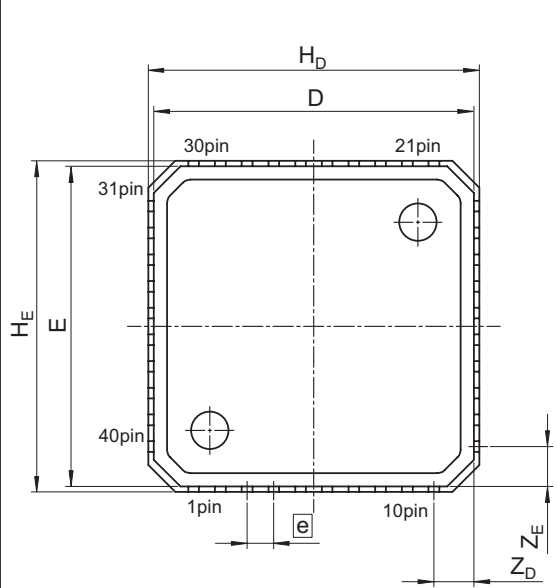
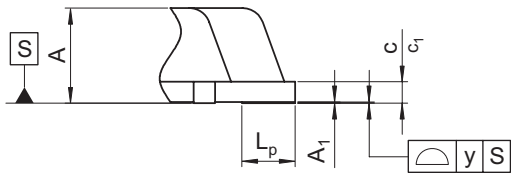
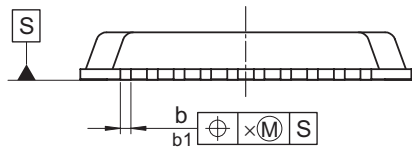


| | | | |
|--------------------|--------------|---------------|------------|
| JEITA Package Code | RENASAS Code | Previous Code | MASS[Typ.] |
| P-HVQFN40-6x6-0.50 | PVQN0040KD-A | — | 0.10g |



NOTE)
b1,c1: DIMENSION BEFORE PLATING



アウターリード部図
Outer lead detail

| Reference Symbol | Dimension in Millimeters | | |
|------------------|--------------------------|------|------|
| | Min | Nom | Max |
| D | — | 6.00 | — |
| E | — | 6.00 | — |
| A | — | — | 0.95 |
| A ₁ | 0.005 | — | — |
| b | 0.17 | 0.22 | 0.27 |
| b ₁ | — | 0.20 | — |
| e | — | 0.50 | — |
| L _p | 0.40 | 0.50 | 0.60 |
| x | — | — | — |
| y | — | — | 0.05 |
| y ₁ | — | — | — |
| t | — | — | — |
| H _D | — | 6.20 | — |
| H _E | — | 6.20 | — |
| Z _D | — | 0.75 | — |
| Z _E | — | 0.75 | — |
| c | 0.17 | 0.22 | 0.27 |
| c ₁ | — | 0.20 | — |