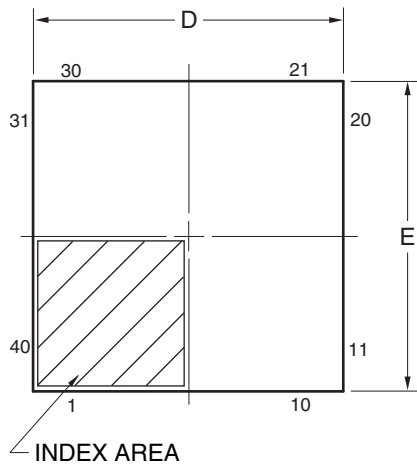
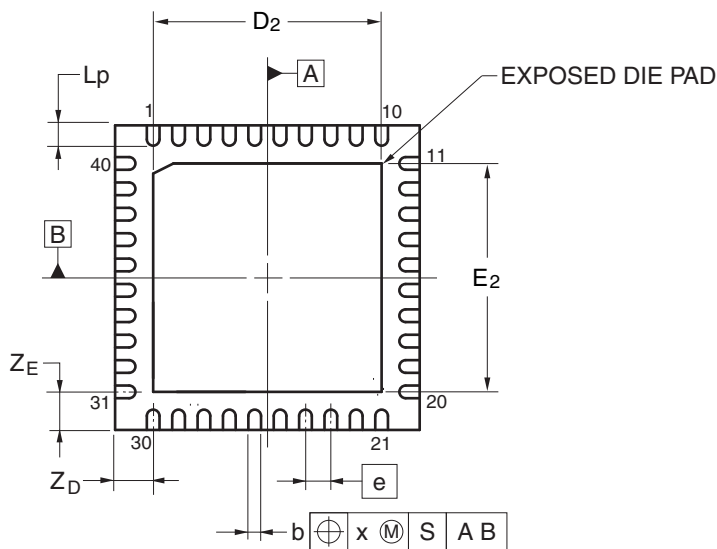
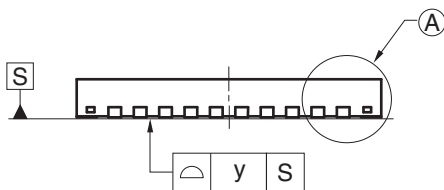
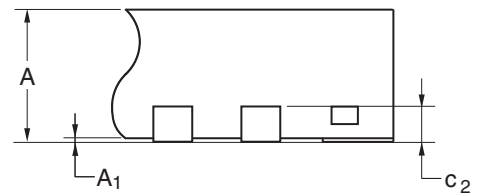


| JEITA Package code | RENESAS code | Previous code | MASS(TYP.)[g] |
|--------------------|--------------|----------------|---------------|
| P-HWQFN40-6x6-0.50 | PWQN0040KC-A | P40K8-50-4B4-5 | 0.09 |

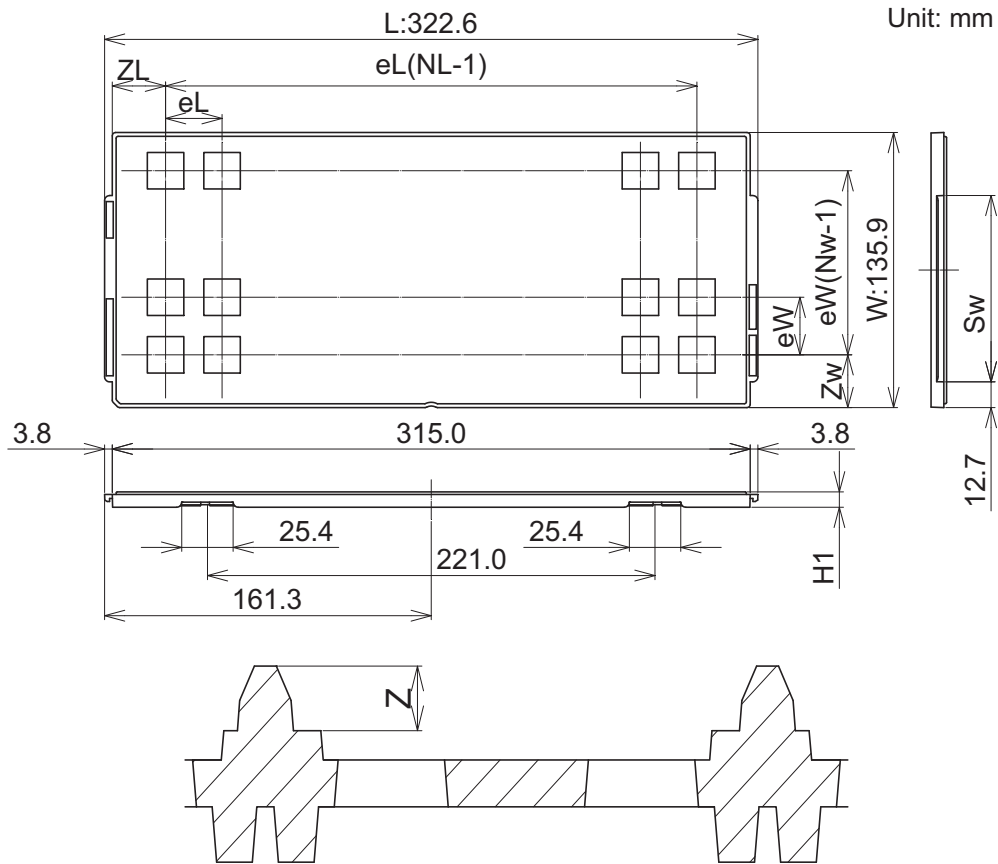


DETAIL OF (A) PART

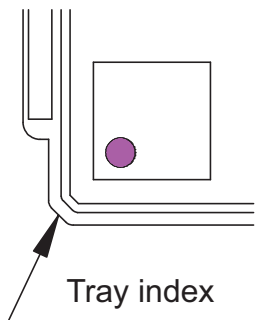


| Reference Symbol | Dimension in Millimeters | | |
|------------------|--------------------------|------|------|
| | Min | Nom | Max |
| D | 5.95 | 6.00 | 6.05 |
| E | 5.95 | 6.00 | 6.05 |
| A | — | — | 0.80 |
| A ₁ | 0.00 | — | — |
| b | 0.18 | 0.25 | 0.30 |
| e | — | 0.50 | — |
| L _p | 0.30 | 0.40 | 0.50 |
| x | — | — | 0.05 |
| y | — | — | 0.05 |
| Z _D | — | 0.75 | — |
| Z _E | — | 0.75 | — |
| c ₂ | 0.15 | 0.20 | 0.25 |
| D ₂ | — | 4.50 | — |
| E ₂ | — | 4.50 | — |

Packing Specification
Tray Outline Drawing
EAM0606-10 Rev.C



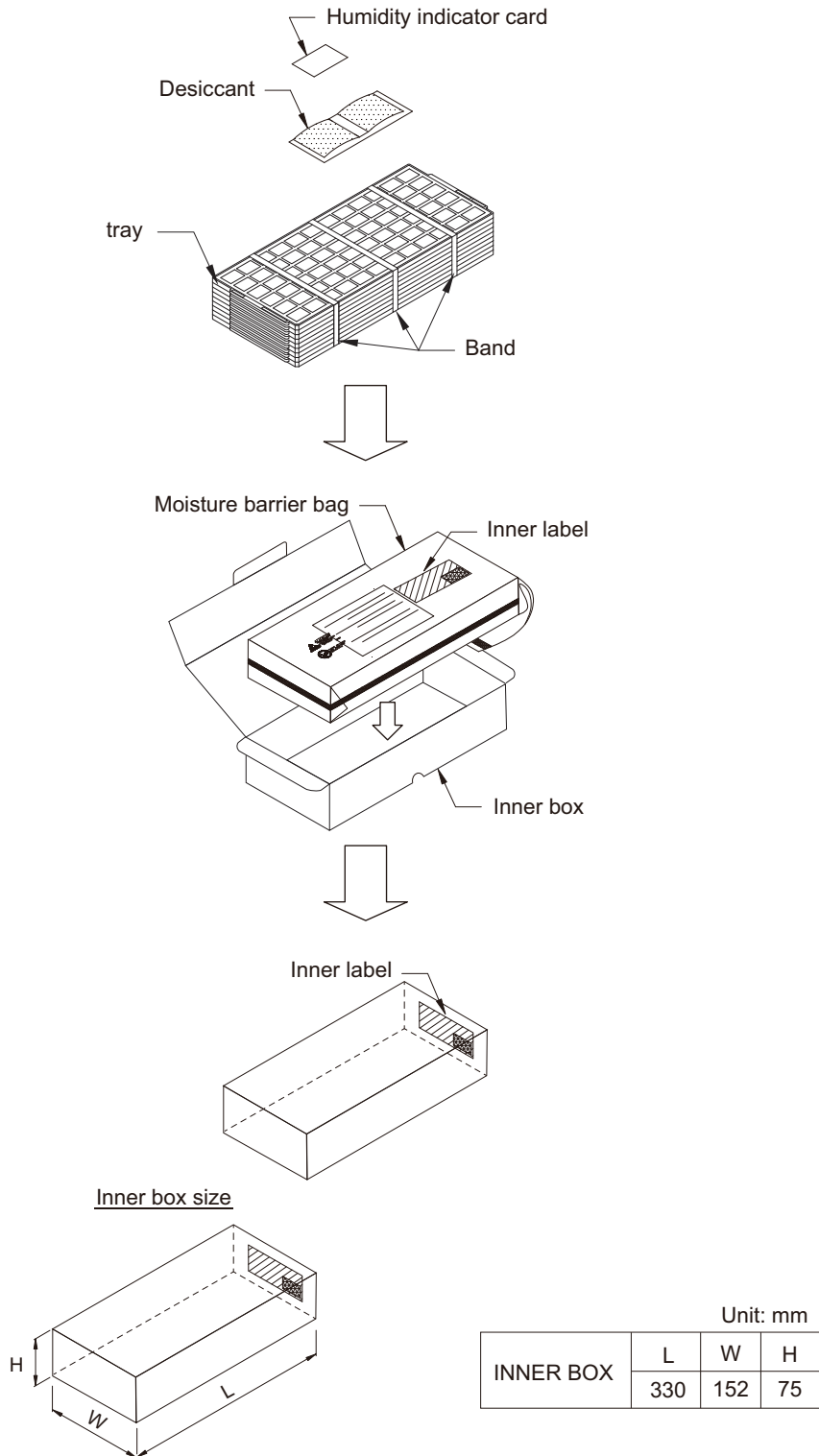
The pin1 is located in the hatching portion.



| Tray Code | | EAM0606-10 Rev.C |
|-----------------------------------|----|---|
| Position dimension of cells | Z | 1.35 |
| | Zw | 8.15 |
| | ZL | 7.90 |
| | eW | 9.20 |
| | eL | 8.80 |
| | Sw | 92.1 |
| Thickness (mm) | H1 | 7.62 |
| Number of cells | Nw | 14 |
| | NL | 35 |
| Maximum storage pcs. IC/Tray | | 490 |
| Maximum storage pcs. IC/Inner box | | 3920 |
| Material | | Carbon PPE |
| Heat resistant temperature | | 135°C MAX |
| JEDEC or Custom | | JEDEC |
| Surface resistance | | Less than $1 \times 10^{11} \Omega/\square$ |

RDK-H-000866

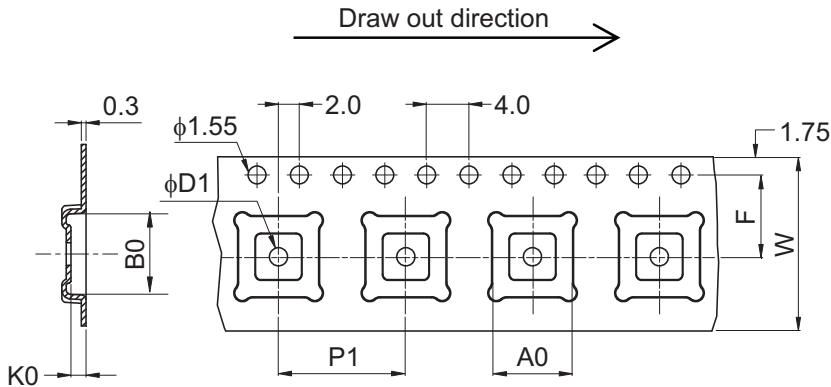
Packing Specification
Tray Packing
(Tray dry pack)



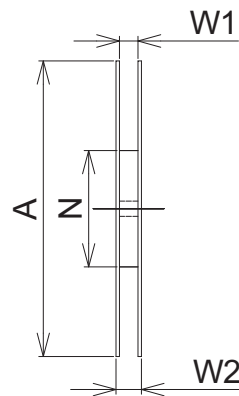
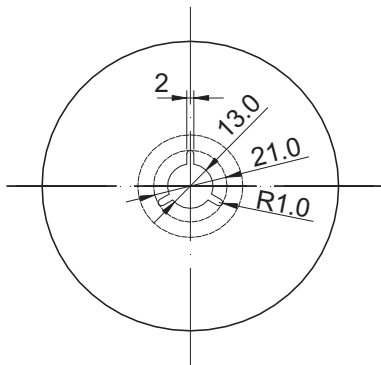
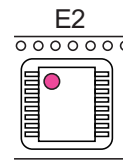
H-000531

Packing Specification
Tape & Reel Outline Drawing
E16 * 12-C3CA

Unit: mm



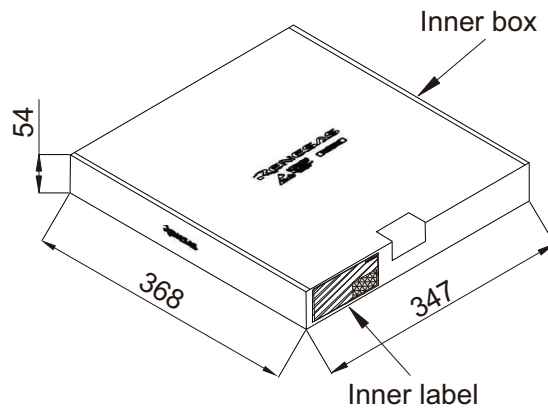
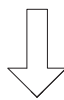
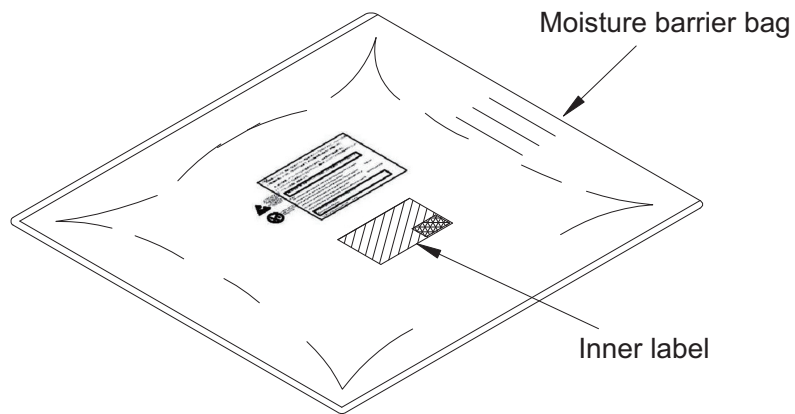
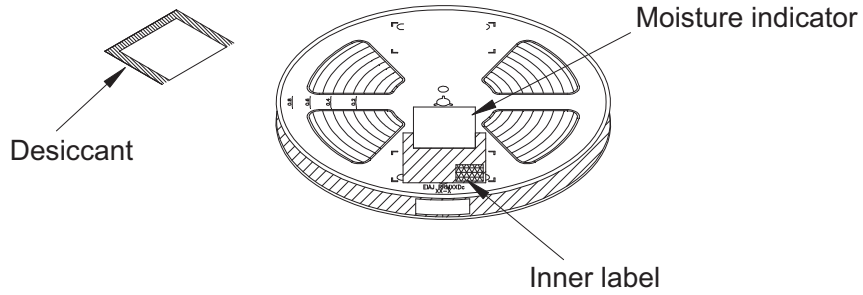
Orientation of packages stored in Embossed Tape is E2 type.
 * The pin1 is located in the hatching portion.



| Tape Code | | E16 * 12-C3CA |
|------------------------------|----|---|
| Tape Dimensions (mm) | W | 16.0 |
| | P1 | 12.0 |
| | A0 | 6.3 |
| | B0 | 6.3 |
| | K0 | 1.0 |
| | F | 7.5 |
| | D1 | 1.5 |
| Reel Dimensions (mm) | A | 330 |
| | N | 100 |
| | W1 | 17.5 |
| | W2 | 21.5 |
| Maximum storage No. IC/ Reel | | 2500 |
| Material | | Carbon PS |
| Surface resistance | | Less than $1 \times 10^{11} \Omega/\square$ |

H-000312

**Packing Specification
Tape & Reel Packing
(Tape dry pack)**



RDK-H-000152

© 2017 Renesas Electronics Corporation. All rights reserved.