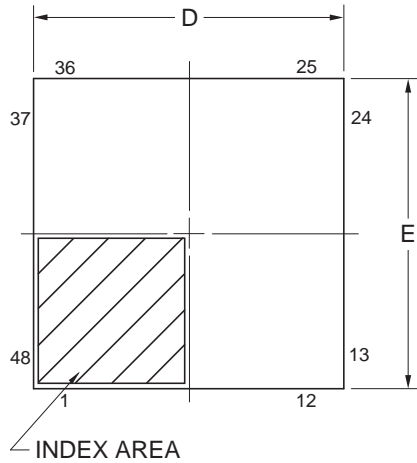
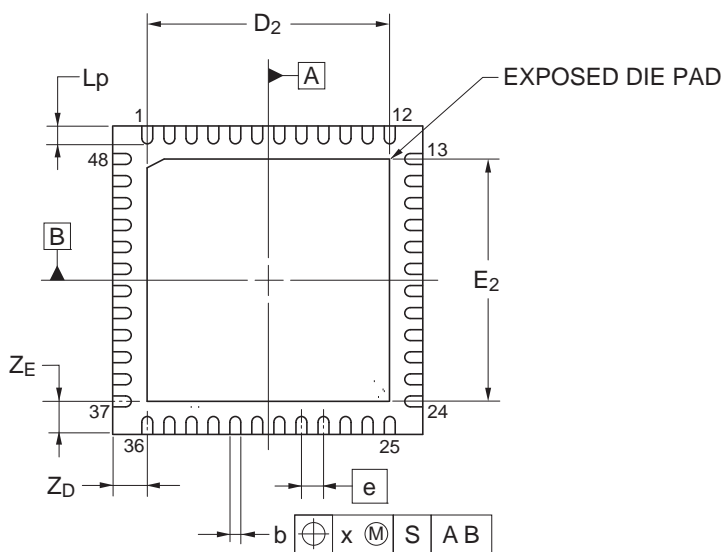
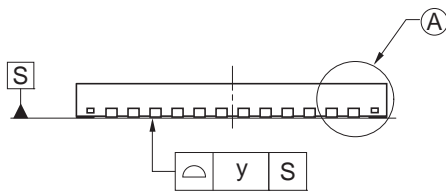
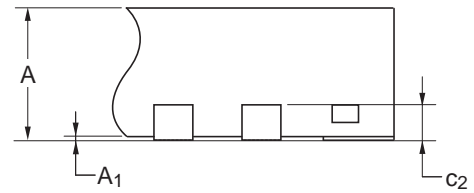


<b>JEITA Package Code</b>	<b>RENESAS Code</b>	<b>Previous Code</b>	<b>MASS (Typ) [g]</b>
P-HWQFN48-7x7-0.50	PWQN0048KB-A	48PJN-A P48K8-50-5B4-7	0.13

Unit: mm



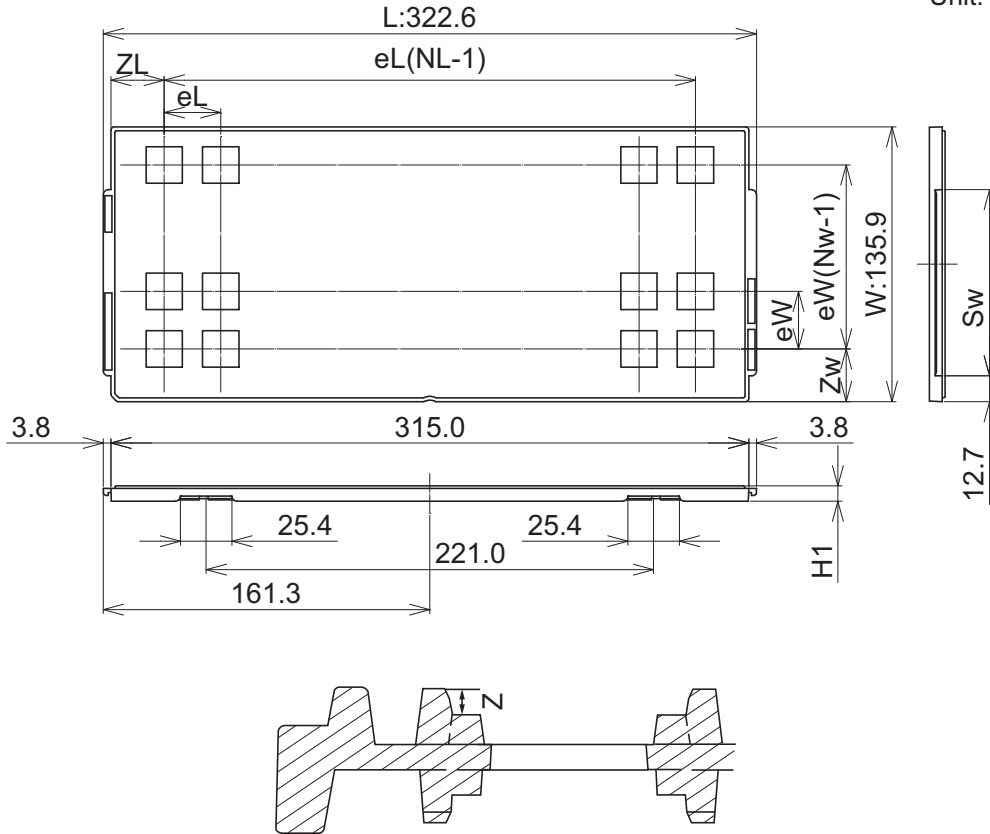
DETAIL OF (A) PART



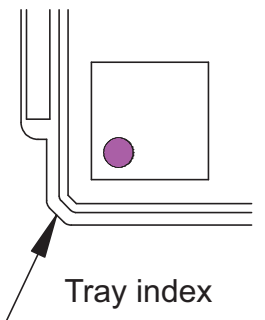
Reference Symbol	Dimensions in millimeters		
	Min	Nom	Max
D	6.95	7.00	7.05
E	6.95	7.00	7.05
A	—	—	0.80
A <sub>1</sub>	0.00	—	—
b	0.18	0.25	0.30
e	—	0.50	—
L <sub>p</sub>	0.30	0.40	0.50
x	—	—	0.05
y	—	—	0.05
Z <sub>D</sub>	—	0.75	—
Z <sub>E</sub>	—	0.75	—
c <sub>2</sub>	0.15	0.20	0.25
D <sub>2</sub>	—	5.50	—
E <sub>2</sub>	—	5.50	—

**Packing Specification  
Tray Outline Drawing  
Rev.A EAM0707-10**

Unit: mm



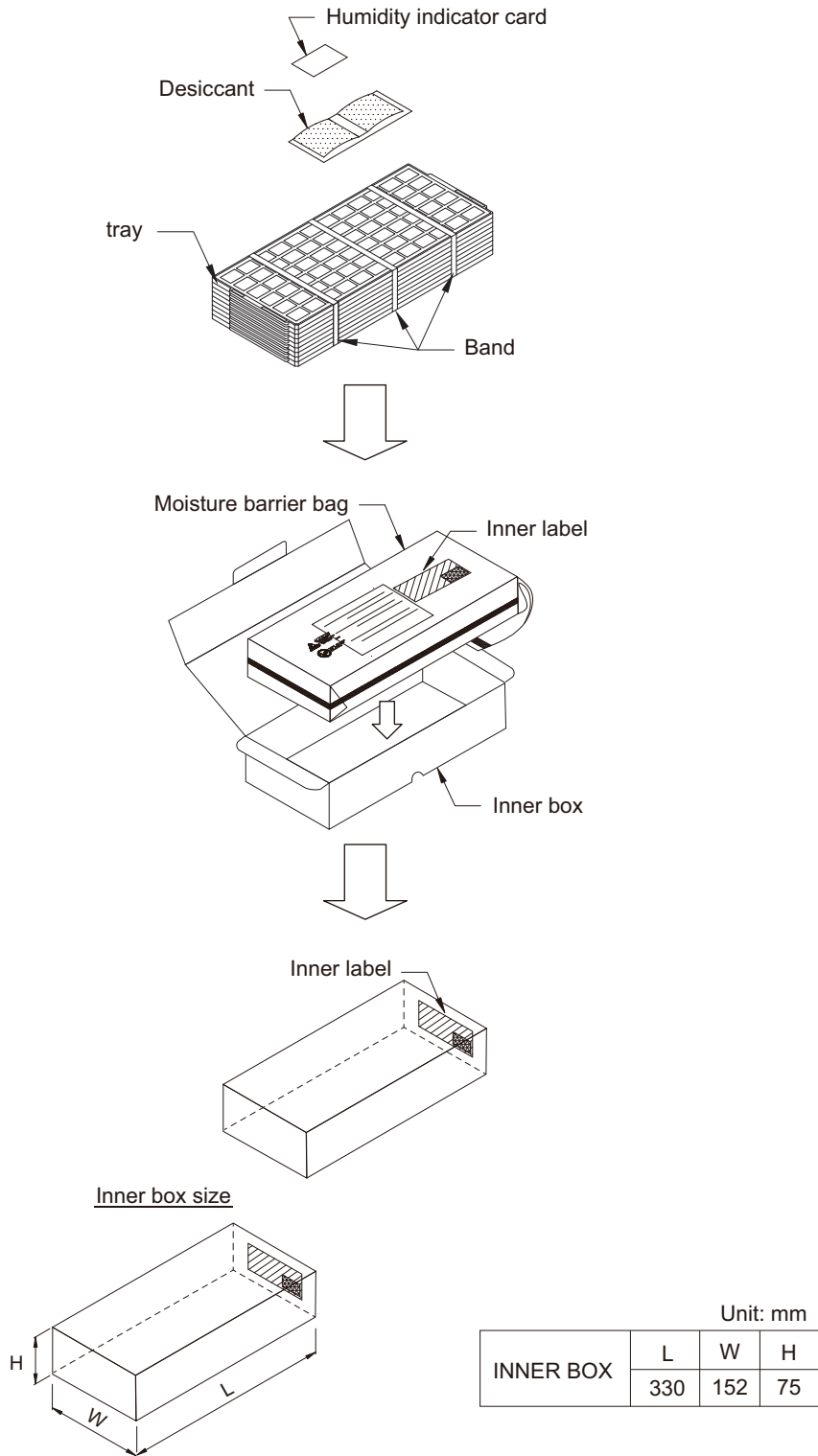
The pin1 is located in the hatching portion.



Tray Code		Rev.A EAM0707-10
Position dimension of cells	Z	1.55
	Zw	10.35
	ZL	10.00
	eW	12.80
	eL	11.80
	Sw	92.1
Thickness (mm)	H1	7.62
Number of cells	Nw	10
	NL	26
Maximum storage pcs. IC/Tray		260
Maximum storage pcs. IC/Inner box		2080
Material		Carbon PPE
Heat resistant temperature		135°C MAX
JEDEC or Custom		JEDEC
Surface resistance		Less than $1 \times 10^{11} \Omega/\square$

RDK-H-000976

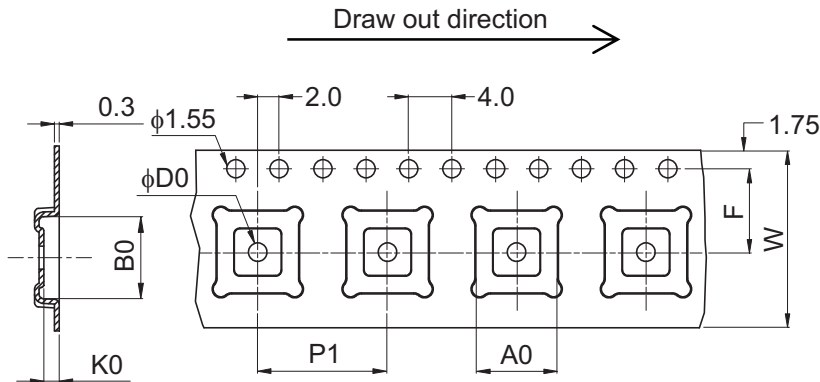
**Packing Specification**  
**Tray Packing**  
**(Tray dry pack)**



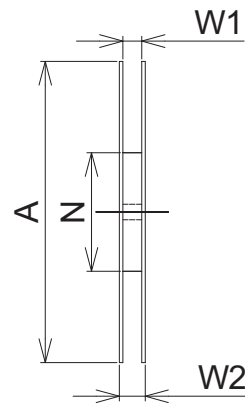
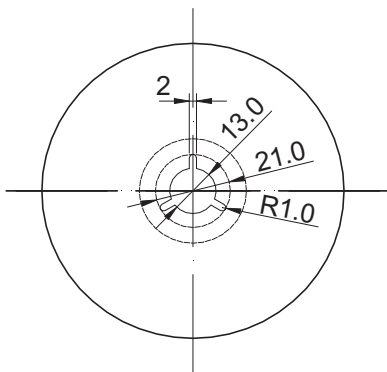
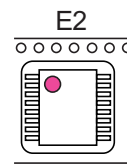
H-000531

**Packing Specification**  
**Tape & Reel Outline Drawing**  
**E16 \* 12-B9CA**

Unit: mm



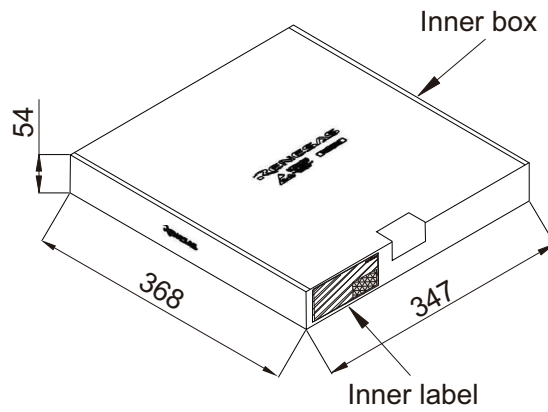
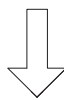
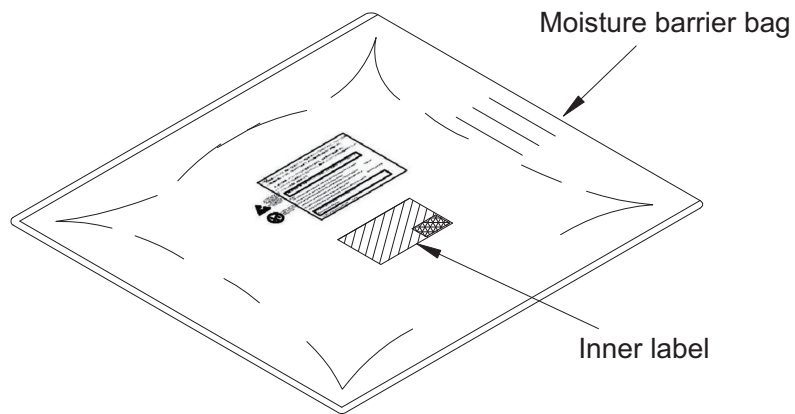
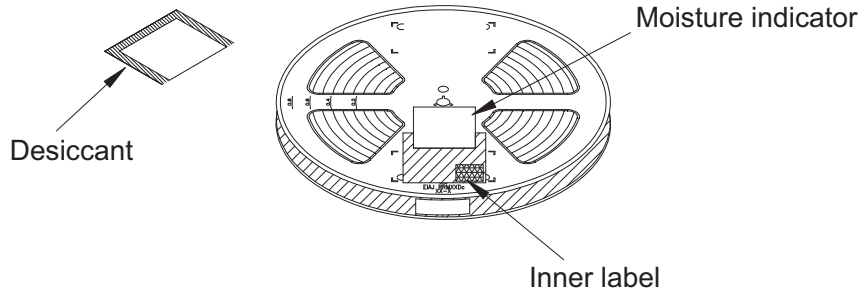
Orientation of packages stored in Embossed Tape is E2 type.  
 \* The pin1 is located in the hatching portion.



Tape Code		E16 * 12-B9CA
Tape Dimensions (mm)	W	16.0
	P1	12.0
	A0	7.3
	B0	7.3
	K0	1.0
	F	7.5
	D1	1.55
Reel Dimensions (mm)	A	330
	N	100
	W1	17.5
	W2	21.5
Maximum storage No. IC/ Reel		2500
Material		Carbon PS
Surface resistance		Less than $1 \times 10^{11} \Omega/\square$

RDK-H-000164

**Packing Specification  
Tape & Reel Packing  
(Tape dry pack)**



RDK-H-000152

© 2017 Renesas Electronics Corporation. All rights reserved.