

JEITA Package Code

RENESAS Code

Previous Code

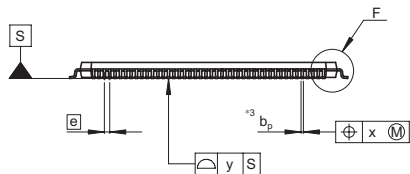
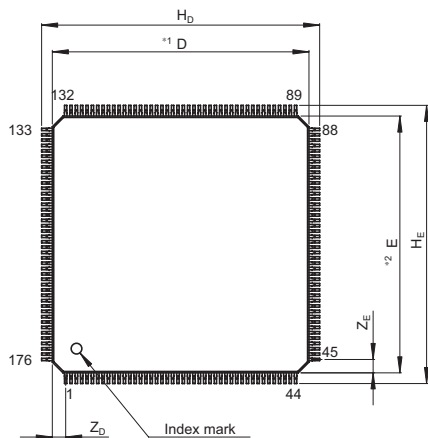
MASS[Typ.]

P-LFQFP176-24x24-0.50

PLQP0176KC-A

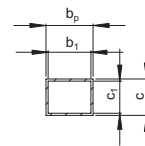
FP-176/FP-176V

1.9g

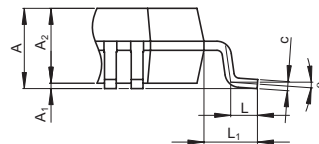


NOTE)

1. DIMENSIONS*1*AND*2* DO NOT INCLUDE MOLD FLASH
2. DIMENSION*3* DOES NOT INCLUDE TRIM OFFSET.



Terminal cross section



Detail F

Reference Symbol	Dimension in Millimeters		
	Min	Nom	Max
D	—	24	—
E	—	24	—
A ₂	—	1.40	—
H _D	25.8	26.0	26.2
H _E	25.8	26.0	26.2
A	—	—	1.70
A ₁	0.05	0.10	0.15
b _p	0.17	0.22	0.27
b ₁	—	0.20	—
c	0.12	0.17	0.22
c ₁	—	0.15	—
θ	0°	—	8°
e	—	0.5	—
x	—	—	0.10
y	—	—	0.10
Z _D	—	1.25	—
Z _E	—	1.25	—
L	0.4	0.5	0.6
L ₁	—	1.0	—