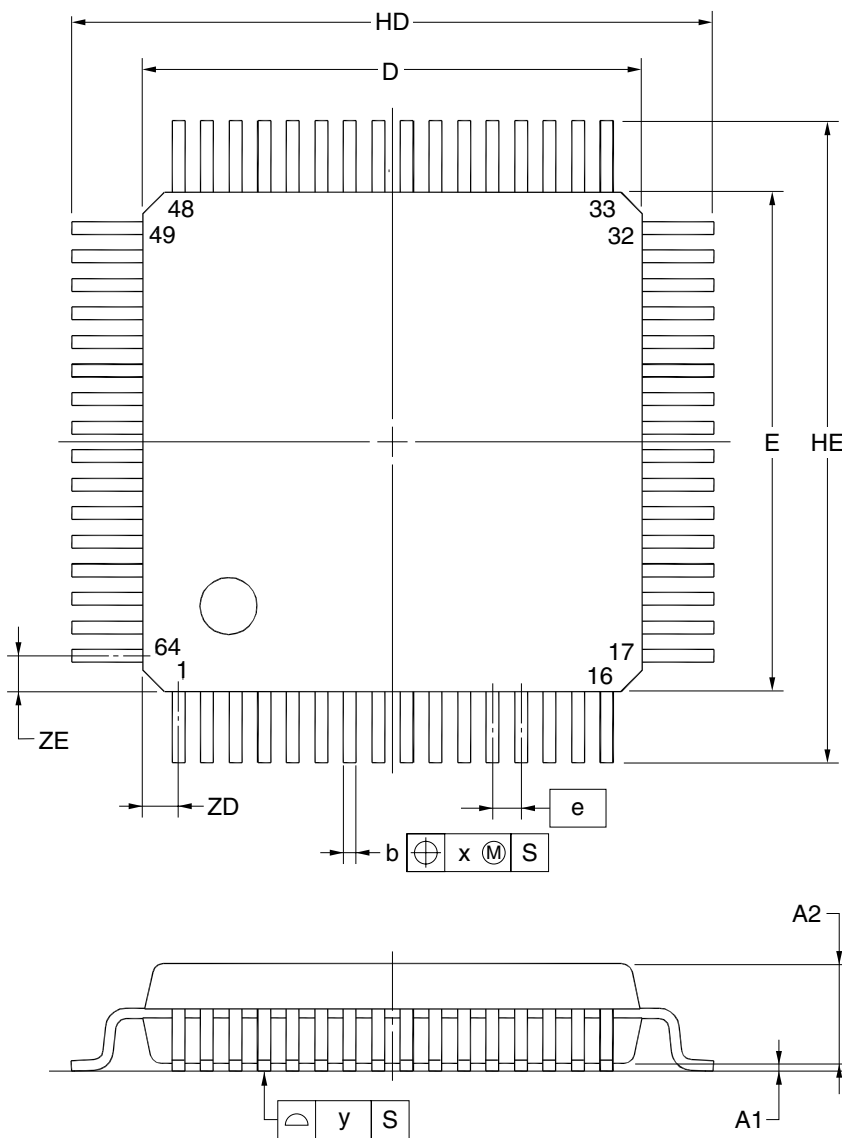


64-PIN PLASTIC LQFP (FINE PITCH)(7x7)



detail of lead end

(UNIT:mm)

ITEM	DIMENSIONS
D	7.00±0.20
E	7.00±0.20
HD	9.00±0.20
HE	9.00±0.20
A	1.60 MAX.
A1	0.10±0.05
A2	1.40±0.05
A3	0.25
b	0.18±0.05
c	0.145 ^{+0.055} _{-0.045}
L	0.50
Lp	0.60±0.15
L1	1.00±0.20
θ	3° ^{+5°} _{-3°}
e	0.40
x	0.07
y	0.08
ZD	0.50
ZE	0.50

NOTE

Each lead centerline is located within 0.07 mm of its true position at maximum material condition.

P64GA-40-8EV-1