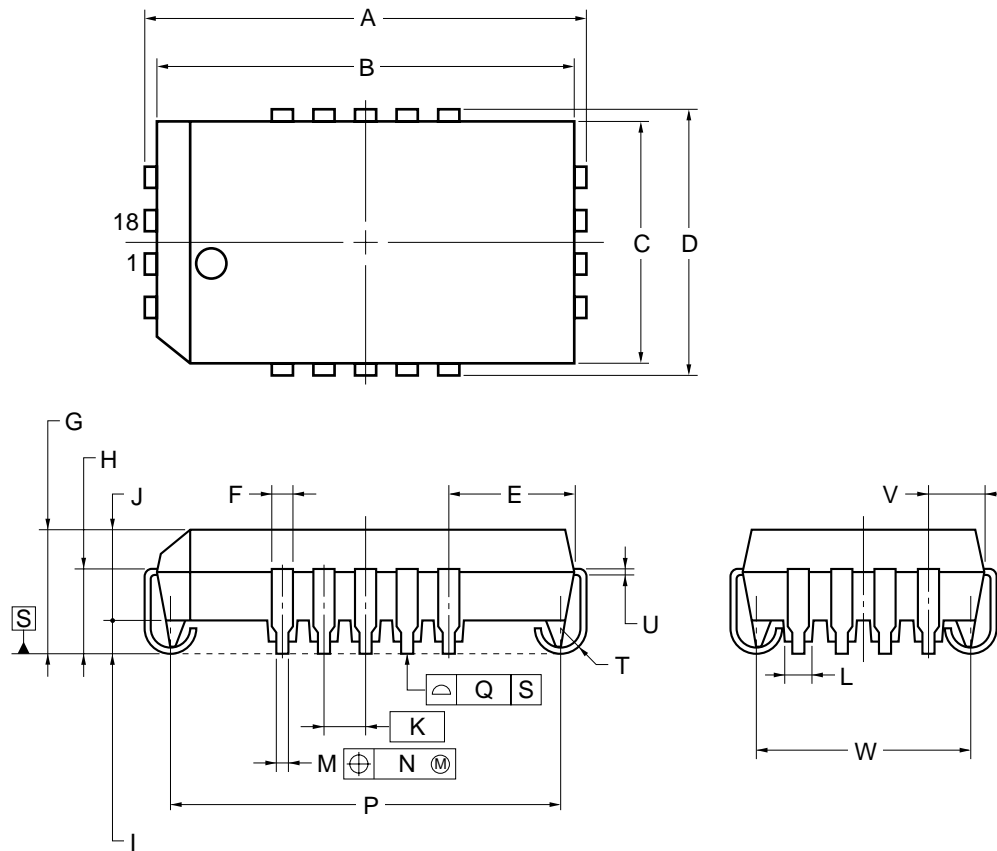


## 18-PIN PLASTIC QFJ (12.5x7.4)



### NOTE

Each lead centerline is located within 0.12 mm of its true position (T.P.) at maximum material condition.

ITEM	MILLIMETERS
A	13.4±0.2
B	12.5±0.1
C	7.4±0.1
D	8.3±0.2
E	3.71±0.15
F	0.6
G	3.5±0.2
H	2.4±0.2
I	0.8 MIN.
J	2.6±0.1
K	1.27 (T.P.)
L	0.7
M	0.42±0.08
N	0.12
P	11.68±0.2
Q	0.15
T	R 0.8
U	0.22 <sup>+0.08</sup> <sub>-0.07</sub>
V	1.80±0.15
W	6.60

P18L-50A-4