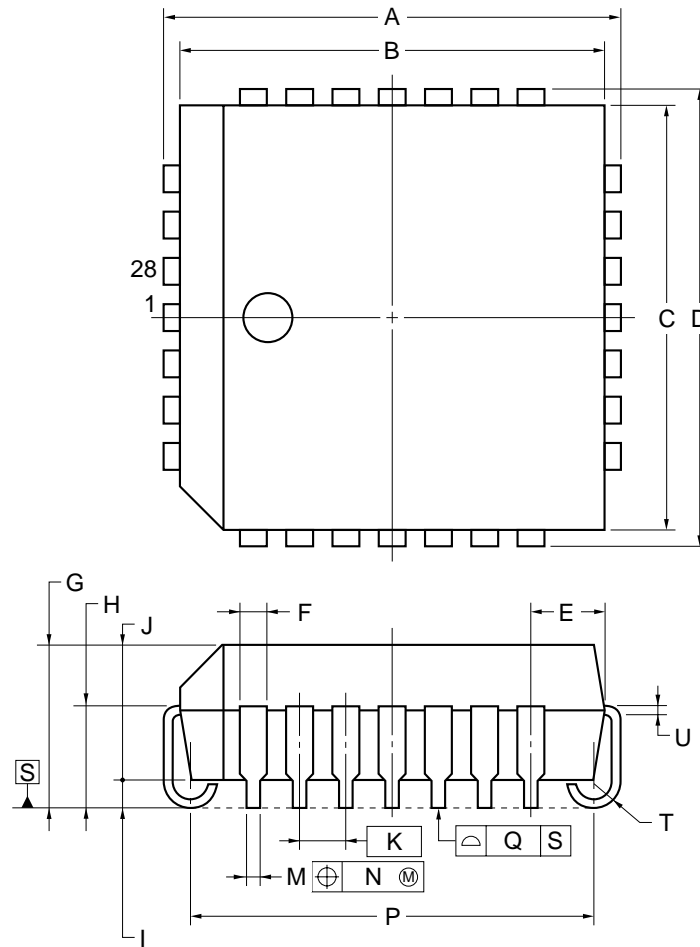


## 28-PIN PLASTIC QFJ (11.5x11.5)



### NOTE

Each lead centerline is located within 0.12 mm of its true position (T.P.) at maximum material condition.

ITEM	MILLIMETERS
A	12.45±0.2
B	11.50±0.1
C	11.50±0.1
D	12.45±0.2
E	1.94±0.15
F	0.6
G	4.4±0.2
H	2.8±0.2
I	0.9 MIN.
J	3.4±0.1
K	1.27 (T.P.)
M	0.40±0.10
N	0.12
P	10.42±0.2
Q	0.15
T	R 0.8
U	0.22 <sup>+0.08</sup> <sub>-0.07</sub>

P28L-50A1-4