

JEITA Package Code

RENESAS Code

Previous Code

MASS[Typ.]

P-QFP168-28x28-0.65

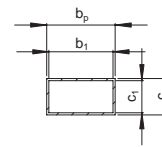
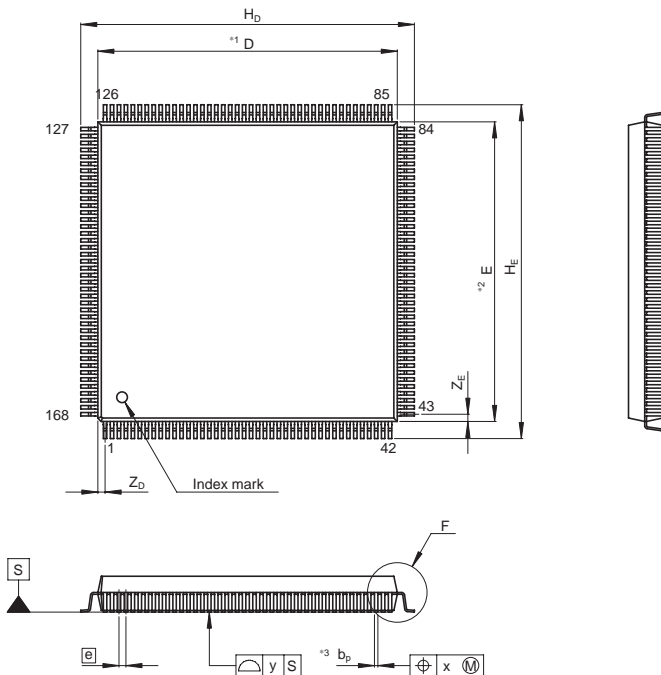
PRQP0168JB-A

FP-168B/FP-168BV

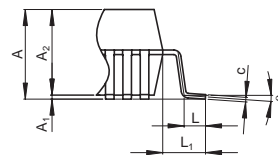
5.4g

NOTE)

1. DIMENSIONS *1*AND*2*
DO NOT INCLUDE MOLD FLASH
2. DIMENSION *3* DOES NOT
INCLUDE TRIM OFFSET.



Terminal cross section



Detail F

Reference Symbol	Dimension in Millimeters		
	Min	Nom	Max
D	—	28	—
E	—	28	—
A ₂	—	3.20	—
H _D	31.0	31.2	31.4
H _E	31.0	31.2	31.4
A	—	—	3.56
A ₁	0.00	0.15	0.25
b _p	0.24	0.32	0.40
b ₁	—	0.30	—
c	0.12	0.17	0.22
c ₁	—	0.15	—
θ	0°	—	8°
e	—	0.65	—
x	—	—	0.13
y	—	—	0.10
Z _D	—	0.68	—
Z _E	—	0.68	—
L	0.6	0.8	1.0
L ₁	—	1.6	—