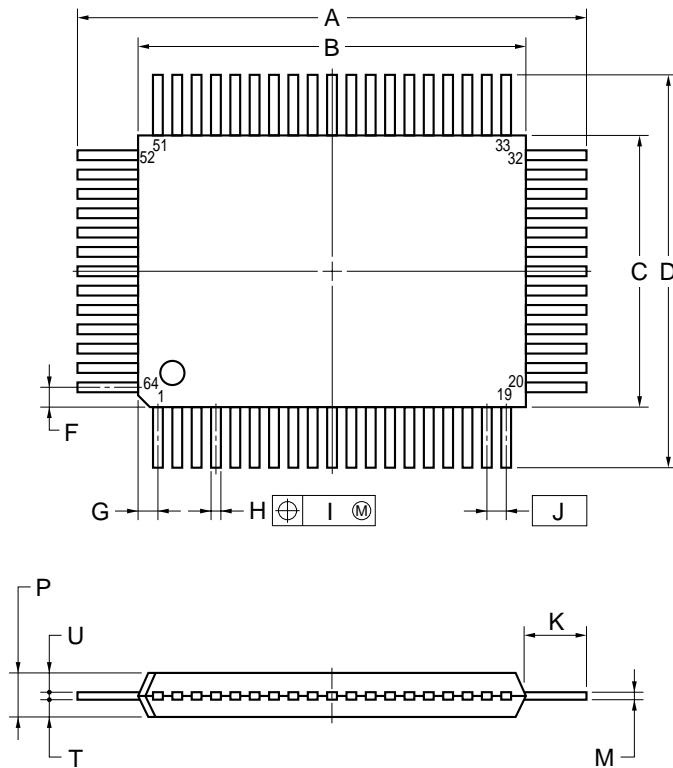


64-PIN PLASTIC QFP (STRAIGHT) (14x20)



NOTE

Each lead centerline is located within 0.20 mm of its true position (T.P.) at maximum material condition.

ITEM	MILLIMETERS
A	24.4±0.4
B	20.0±0.2
C	14.0±0.2
D	18.4±0.4
F	1.0
G	1.0
H	0.40±0.10
I	0.20
J	1.0 (T.P.)
K	2.2±0.2
M	0.15 ^{+0.10} _{-0.05}
P	2.7
T	1.0
U	1.55

P64GF-100-3KE-2